



# Foreman

Ductable Indirect-Fired Oil Heater

<b>CI230</b>	230,000 Btuh / 67.4 kW
<b>CI500</b>	500,000 Btuh / 146.54 kW
<b>CI750</b>	750,000 Btuh / 219.8 kW

#1 / #2 Fuel Oil



Report No: 0545HH002S

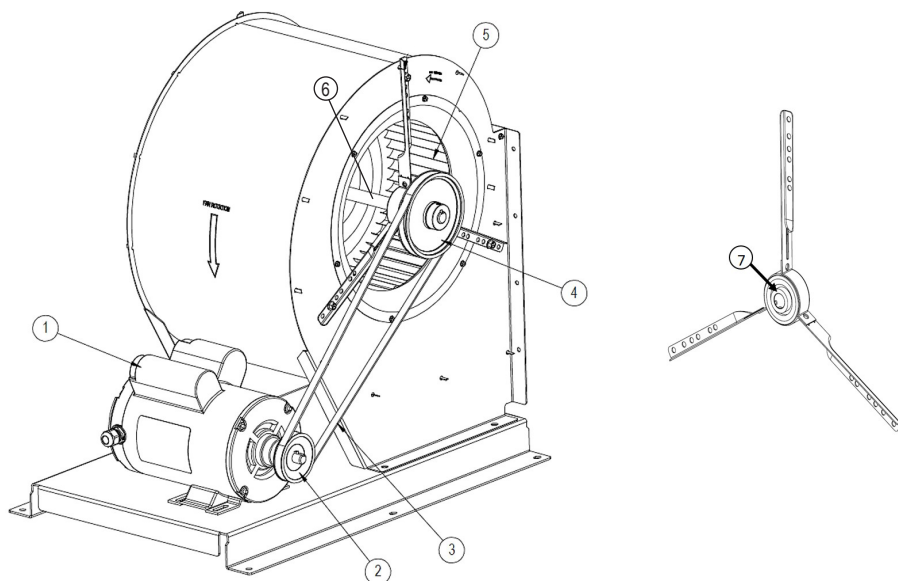


## Congratulations!

You have purchased the finest Indirect-fired construction heater available. Your new L.B. White heater incorporates the benefits from the most experienced manufacturer of heating products using state-of-the-art technology.

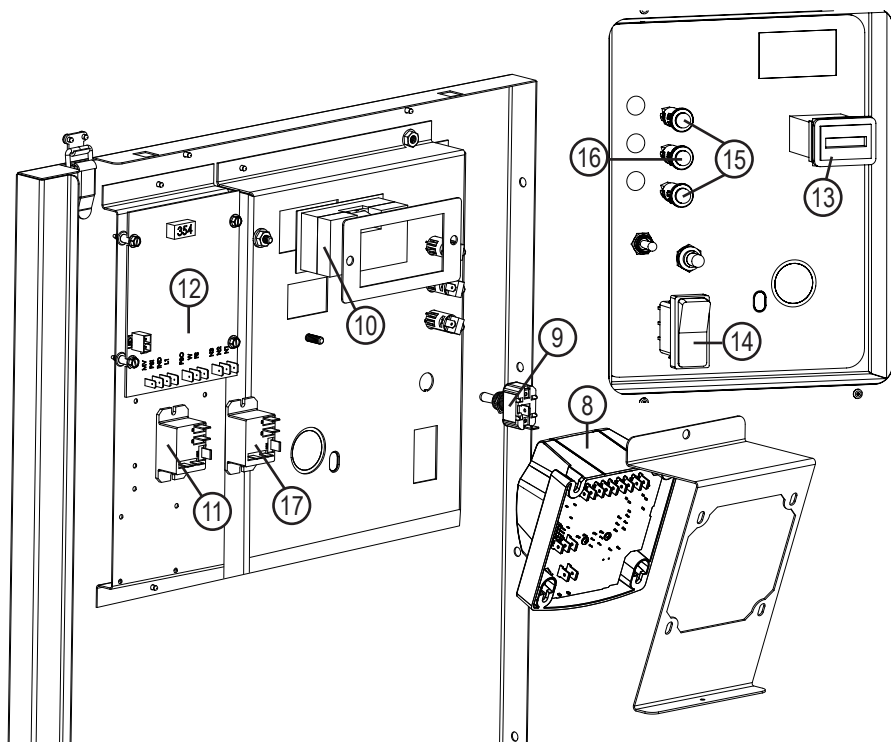
## Parts List - Blower Motor / Fan Wheel

### CI500 / CI750 Blower Configuration Shown



Item	Description	CI230	CI500	CI750
1	Motor	574120	573565	573686
2	Pulley, Motor	--	573569	573683
3	Belt, Power Twist, A/13/4L, 64 Links	--	573552	574164
4	Pulley	--	573573	573684
5	Wheel, Fan	574123	573581	573694
6	Shaft, Fan Assembly	--	573572	
7	Bearing, Rubber Cartridge	--	573696	

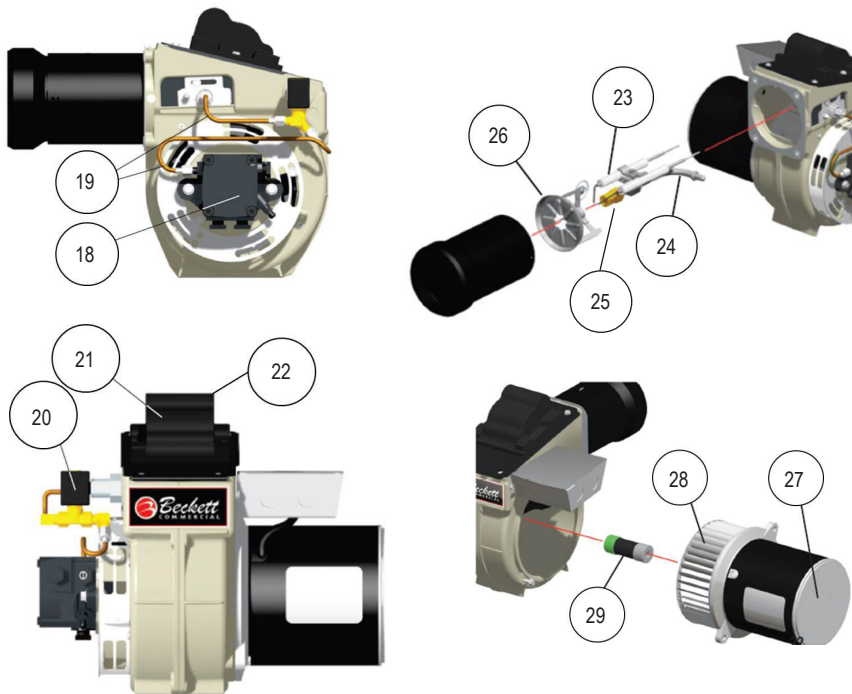
## Parts List - Control Box



Item	Description	CI230	CI500	CI750
8	Controller, Burner GeniSys 7575		573649	
9	Toggle, Switch with boot		571907	
10	Voltmeter		573947	
11	Relay, 120VAC Coil	574253		570221
12	Control, Construction		573553	
13	Hourmeter		574121	
14	Switch, Rocker, DPDT		574122	
15	LED, Snap-in, Green, 120V, Flush Lens		573770	
16	LED, Snap-In, Red, 120V		573564	
17	Relay, 120VAC Coil		574253	

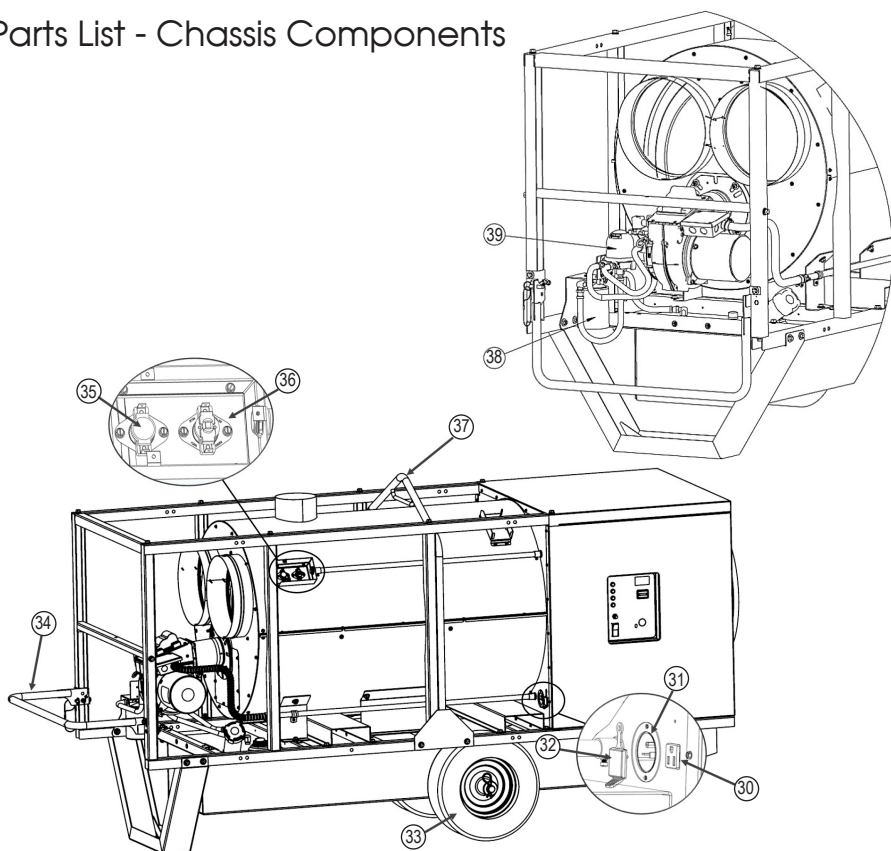
## Parts List - Burner Components

### CI500 / CI750 Burner Shown



Item	Description	CI230	CI500	CI750
18	Fuel Pump	574134		573645
19	Fuel Line	574137		573646
20	Oil Solenoid Valve	--		573647
21	CAD cell (not shown)		573658	
22	Ignition Transformer	574135		573648
23	Spark Plug Igniter		573650	574185
24	Tube, Fuel Assembly with Nozzle	--	573651	573714
25	Nozzle	574179	574060	573752
26	Head Assembly	--		573652
27	Motor, Burner	574131		573653
28	Wheel, Fan	574132		573654
29	Coupling, Pump	574136		573655

## Parts List - Chassis Components



Item	Description	CI230	CI500	CI750
30	Receptacle, NEMA, AC female, snap-in		573570	
31	Inlet, Flanged, Straight-Blade, Electrical	574125	574126	574127
32	Cover, Electrical Outlet		574138	
33	Wheel	573991		573581
34	Handle, lifting, rear	574140		573560
35	Switch, limit, burner, auto reset	573575		573660
36	Switch, high limit, manual, 250°F		571671	
37	Handle, lifting bale	574139		573561
38	Filter, fuel		573662	
39	Remote Oil Hook-Up		500-131261*	573747
40	Thermostat w/ 25 FT. cord* (Not Shown)		500-30125*	

\*Accessory - must be ordered separately