

# PARTS MANUAL



*Mikasa* **SERIES**  
**MODEL MTR-60L**  
**TAMPING RAMMER**  
**(ROBIN EC-08G ENGINE)**

Revision #8 (10/29/20)

THIS MANUAL MUST ACCOMPANY THE EQUIPMENT AT ALL TIMES.

## **MIKASA MTR-60L — Tamping Rammer**

Table Of Contents .....	2
Explanation Of Codes In Remarks Column .....	4
Suggested Spare Parts .....	5
Name Plate And Decals .....	6-7
Crankcase and Engine Assembly .....	8-9
Cylinder Guide and Foot Assembly .....	10-11
Tank and Handle Assembly .....	12-13

## **ROBIN EC-08G STD ENGINE**

Crankcase and Cylinder Assembly .....	14-15
Crankshaft and Piston Assembly .....	16-17
Governor Assembly .....	18-19
Muffler and Blower Housing Assembly .....	20-21
Carburetor and Air Cleaner Assembly .....	22-23
Recoil Starter Assembly .....	24-25
Magento Assembly .....	26-27

### NOTE

*Specification and part number  
are subject to change without  
notice.*

# EXPLANATION OF CODE IN REMARKS COLUMN

How to read the marks and remarks used in this parts book.

## Items Found In the “Remarks” Column

Serial Numbers-Where indicated, this indicates a serial number range (inclusive) where a particular part is used.

Model Number-Where indicated, this shows that the corresponding part is utilized only with this specific model number or model number variant.

## Items Found In the “Items Number” Column

All parts with same symbol in the number column, \*, #, +, %, or ■, belong to the same assembly or kit.

### NOTE

If more than one of the same reference number is listed, the last one listed indicates newest (or latest) part available.

### NOTE

*The contents of this catalog are subject to change without notice.*

# MTR-60L — SUGGESTED SPARE PARTS

## MTR-60L Mikasa Rammer 1 to 3 Units

Qty.	PIN	Description
10	GRS2	Grease, high temp.
3	0650140031	Spark plug
1	956300060	Lever, throttle assy.
1	301010900	Throttle wire
2	505015060	Nipple, A-grease
1	301910081	Tank cap assy.
1	954300390	Fuel cock assembly
10	301419750	Filter, in-line fuel
1	959401750	Stopper for wire
1	402010110	Spring, return
1	1293500403	Gasket, muffler
1	0521060100	Banjo
1	2096233508	Bolt Banjo
1	2076234508	Washer
5	1063260207	Element, air cleaner
1	0669900207	Button, stop (S/N C-5084 & Below)
1	0662009720	Switch, stop (S/N C-5085 & Above)

## MTR-60L Mikasa Rammer 3 to 5 Units

Qty.	PIN	Description
10	GRS2	Grease, high temp.
5	0650140031	Spark plug
1	956300060	Lever, throttle assy.
2	301010900	Throttle wire
2	301010810	Rubber coupling
1	0643000101	Drain cock
4	505015060	Nipple, A-grease
5	301419750	Filter, in-line fuel
2	954300390	Fuel cock assembly
2	301910090	Hose assembly fuel
2	959401750	Stopper for wire
2	402010110	Spring, return
2	1293500403	Gasket, muffler
10	1063260207	Element, air cleaner
2	0669900207	Button, stop (S/N C-5084 & Below)
1	EC086230	Kit, carburetor
2	0662009720	Switch, stop (S/N C-5085 & Above)

## MTR-60L Mikasa Rammer 5 to 10 Units

Qty.	PIN	Description
10	GRS2	Grease, high temp.
10	0650140031	Spark plug
2	956300060	Lever, throttle assy.
2	301010900	Throttle wire
4	301010810	Rubber coupling
3	0643000101	Drain cock
6	505015060	Nipple, A-grease
2	301910081	Tank cap assembly
3	954300390	Fuel cock assembly
5	301419750	Filter, in-line fuel
3	959401750	Stopper for wire
3	402010110	Spring, return
3	1293500403	Gasket, muffler
2	5802023000	Ring set
3	0521060100	Banjo
3	2096233508	Bolt Banjo
3	2076234508	Washer
20	1063260207	Element, air cleaner
3	0669900207	Button, stop (S/N C-5084 & Below)
2	EC086230	Kit, carburetor
2	1299900107	Gasket set
3	0662009720	Switch, stop (S/N C-5085 & Above)

## MTR-60L Mikasa Rammer 10+ Units

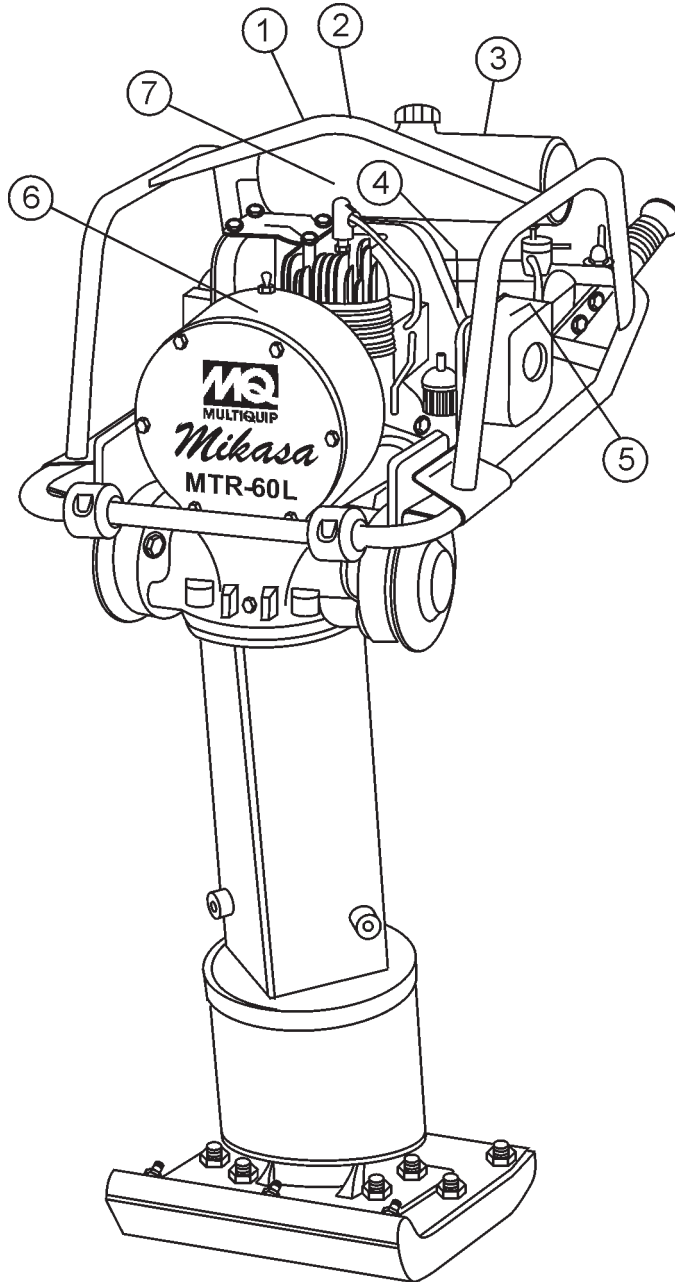
Qty.	PIN	Description
20	GRS2	Grease, high temp.
14	0650140031	Spark plug
4	956300060	Lever, throttle assy.
4	301010900	Throttle wire
6	301010810	Rubber coupling
4	0643000101	Drain cock
8	505015060	Nipple, A-grease
3	301910081	Tank cap assembly
5	954300390	Fuel cock assembly
10	301419750	Filter, in-line fuel
5	959401750	Stopper for wire
5	402010110	Spring, return
5	1293500403	Gasket, muffler
3	5802023000	Ring set
5	0521060100	Banjo
5	2096233508	Bolt Banjo
5	2076234508	Washer
1	5803019000	Air cleaner assy.
15	1063260207	Element, air cleaner
5	0669900207	Button, stop (S/N C-5084 & Below)
3	EC086230	Kit, carburetor
3	1299900107	Gasket set
5	0662009720	Switch, stop (S/N C-5085 & Above)
1	301421360	Clutch assembly
1	5806069000	Carburetor assembly
1	5805001000	Recoil starter assembly

### NOTE

Part number on this Suggested Spare Parts List may super cede/replace the P/N shown in the text pages of this book.

# MTR-60L— NAME PLATE AND DECALS

## NAME PLATE AND DECALS



# MTR-60L— NAME PLATE AND DECALS

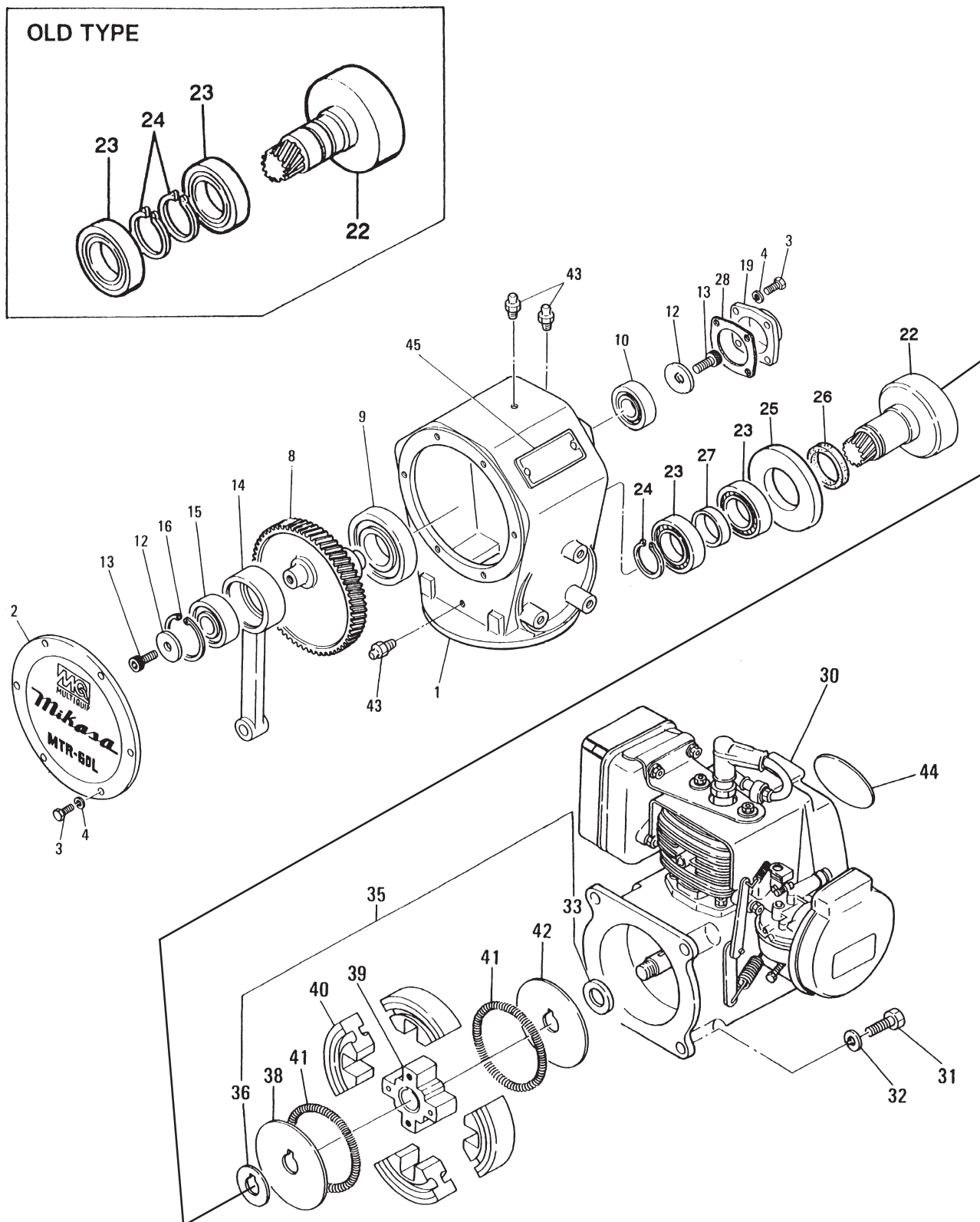
## NAME PLATE AND DECALS

<u>NO</u>	<u>PART NO</u>	<u>PART NAME</u>	<u>QTY.</u>	<u>REMARKS</u>
1*	920200500	DECAL: MIXED FUEL	1	NPA-50
2*	920203290	DECAL: CAUTION READ	1	NPA-329
3*	920201810	DECAL: CAUTION	1	NPA-181
5*	920203990	DECAL: FUEL SHUT-OFF	1	NPA-399
6		PLATE, SERIAL NO.	1	CONTACT MQ SERVICE DEPT. W/MODEL & S/N
7*	920202630	DECAL: MIKASA LOGO	1	NAP-263
10	DCLMTR-60L	KIT, DECAL .....	1 .....	INCLUDES ITEMS W/*

SEE DECAL ILLUSTRATIONS ON PAGE 7.

# MTR-60L — CRANKCASE AND ENGINE ASSY.

CRANK CASE AND ENGINE ASSY.



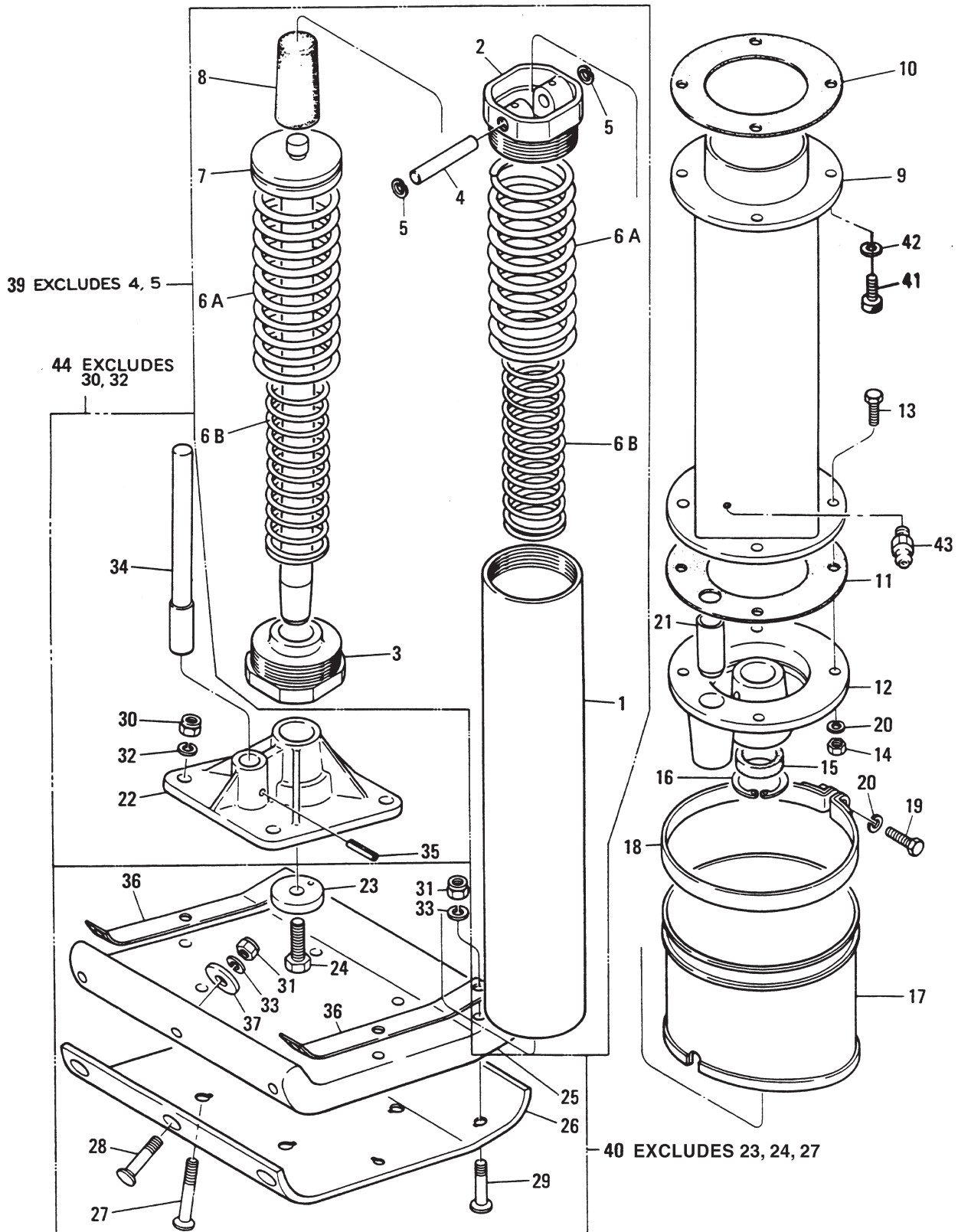
# MTR-60L — CRANKCASE AND ENGINE ASSY.

## CRANK CASE AND ENGINE ASSY.

<u>NO.</u>	<u>PART NO.</u>	<u>PART NAME</u>	<u>QTY.</u>	<u>REMARKS</u>
1	303105230	CRANK CASE	1	
1	303105232	CRANK CASE	1	
2	303205980	FRONT COVER	1	
3	011006015	BOLT 6X15	10	
3	011706020	BOLT 6X20 H, SW	10	
4	030206150	WASHER SW M6	10	
8	303010040	CRANK GEAR	1	
9	041006307	BEARING 6307Z	1	
10	041006204	BEARING 6204Z	1	
12	952400130	WASHER 9304	2	
13	014208020	SOCKET HEAD BOLT 8X20 T	2	
14	303010060	CONNECTING ROD	1	
15	042006304	BEARING 6304ZZ	1	
16	080100520	STOP RING R-52	1	
19	303010070	BEARING COVER	1	
22	303010084	PINION REQ. SPACER 351437750 ....	1	.....REPLACES 303010080
23	041006007	BEARING 6007Z	2	
24	080200350	STOP RING S-35	2	
24	080200350	STOP RING S-35	1	
25	303010090	SPACER, CLUTCH DRUM/55	1	
26	060504010	OIL SEAL VB-40525	1	
27	351437750	SPACER 35.4-42.7-11	1	
28	303010110	PACKING, BEARING COVER	1	
30	911100805	ENGINE ASSY. EC08G	1	
31	011208030	BOLT 8X30 .....	4	.....REPLACES 011008030
32	030208200	WASHER SW M8	4	
33	301420750	SPACER 15X21X4T, CLUTCH .....	1	.....8 E/G 62990
35	301421363	CLUTCH ASSY. ....	1	.....INCLUDES W/# REPLACES 301421360
36#	301010210	LOCK WASHER CLUTCH	1	
38#	943060020	CLUTCH GUIDE/B	1	
39#	943050050	CLUTCH BOSS	1	
40#	943020020	CLUTCH SHOE	4	
41#	943030020	CLUTCH SPRING	2	
42#	943060010	CLUTCH GUIDE/A	1	
43	505015060	GREASE FITTING	3	
44*	920100240	DECAL (M-MARK)	1	
45		PLATE, SERIAL NO. ....		ORDER FROM MQ SERVICE DEPT. MODEL & S/N
	DCL60	DECAL SET MTR-60L .....	1	.....INCLUDES ITEMS W/*
*	5809501000	LABEL ENGINE, EC08G	2	
*	920100240	DECAL (M-MARK)	1	
*	920202630	DECAL, TRADE MARK/RAMMER	1	
*	920201810	DECAL, CAUTION, GENERAL INSTR.	1	
*	920200500	DECAL, MIXED FUEL	1	
*	1063273808	DECAL, AIR CLEANER	1	

# MTR-60L — CYLINDER GUIDE AND FOOT ASSY.

## GUIDE CYLINDER AND FOOT ASSY.



# MTR-60L — CYLINDER GUIDE AND FOOT ASSY.

## GUIDE CYLINDER AND FOOT ASSY.

<u>NO.</u>	<u>PART NO.</u>	<u>PART NAME</u>	<u>QTY.</u>	<u>REMARKS</u>
1	303010230	SPRING CYLINDER .....	1	DO NOT DISASSEMBLE WITHOUT PROPER TOOLS AND INTRUCTION, SPRINGS ARE IN TENSION STORING POTENTIAL ENGERY, SEE SERVICE / REPAIR SECTION.
2	303010240	CYLINDER CAP/TOP	1	
3	303010250	CYLINDER CAP/BOTTOM	1	
4	303010260	CYLINDER PIN	1	
5	080100120	STOP RING R-12	2	
6	303313740	MAIN SPRING A, B	2	
7	303010280	SPINDLE ROD	1	
8	301010310	PROTECTOR RUBBER	1	
9	303010510	GUIDE CYLINDER	1	
10	303010300	PACKING, GUIDE CYL. UPPER	1	
11	303010310	PACKING, GUIDE CYL. LOWER	1	
12	303010320	GUIDE	1	
13	011008025	BOLT 8X25 H .....	4	REPLACES 011108025
14	020108060	NUT M8 H .....	4	REPLACES 020108061
14	021108100	NYLON NUT M8	4	
15	065103010	DUST SEAL DKI-3244710	1	
16	080100450	STOP RING R-45	1	
17	303010330	PROTECTION SLEEVE	1	
18	303010340	BAND	1	
19	011208030	BOLT 8X30 B=12 .....	1	REPLACES 013008030
20	030208200	WASHER SW M8	5	
21	303010350	BUSHING	1	
22#	**	FOOT PLATE .....		NOT SERVICED SEPERATELY**SEE ITEM #44
23	301010520	LOCK WASHER H	1	
24	0017212030	HEX HEAD BOLT .....	1	REPLACES 011012030
25*	303010370	FOOT	1	
26*	303010380	METAL SHEET	1	
27	015112075	SUNK HEAD BOLT 12X75H .....	4	REPLACES 015112063 INCL'S ITEM W/+
28*	015110050	SUNK HEAD BOLT 10X50H	5	
29*	015110050	SUNK HEAD BOLT 10X50 .....	2	REPLACES 015110045
30+	021112140	NYLON NUT M12	4	
31*	021110120	NYLON NUT M10	7	
32	030212300	WASHER SW M12	4	
33*	030210250	WASHER SW M10	7	
34#	303010390	GUIDE SPINDLE	1	
35#	025306032	SPRING PIN .....	1	REPLACES 025406032
36*	303010400	FOOT FITTING	2	
37*	506404060	WASHER .....	1	REPLACES 301010540
39	303910060	SPRING CYLINDER ASSY. 60L	1	
40	303910030	FOOT ASSY. ....	1	INCLUDES ITEMS W/* 11.25" (W) X 14 (L)
41	014210028	SOCKET HEAD BOLT 10X28	4	
42	030210250	WASHER SW M10	4	
43	505015060	GREASE FITTING	1	
44	303910020	FOOT PLATE ASSY. ....	1	INCLUDES ITEMS W/#



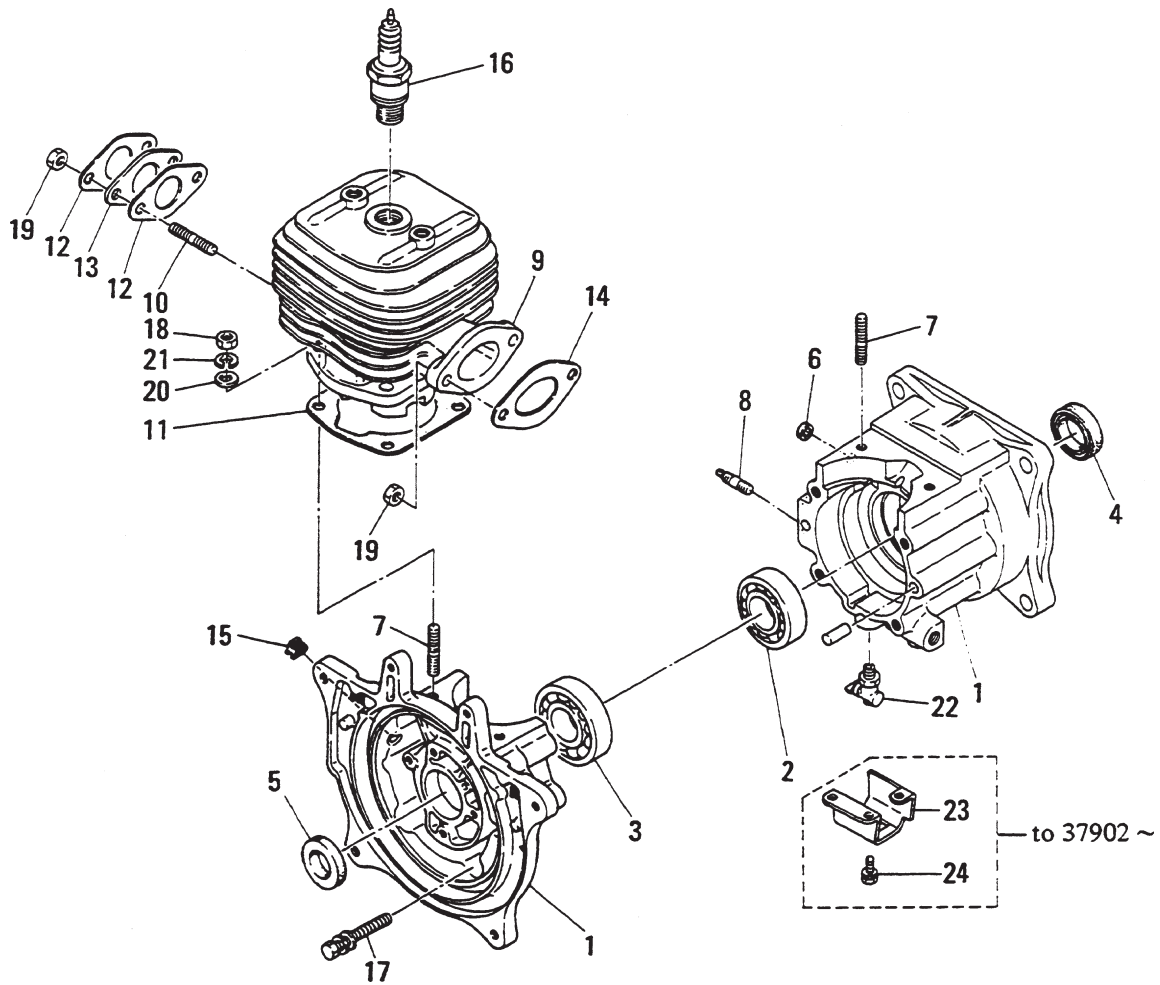
# MTR-60L — TANK AND HANDLE ASSY.

## TANK AND HANDLE ASSY.

<u>NO.</u>	<u>PART NO.</u>	<u>PART NAME</u>	<u>QTY.</u>	<u>REMARKS</u>
1	303910100	HANDLE ASS'Y W/ROLLERS .....	1	INCLUDES ITEMS W/*
4	301010810	RUBBER COUPLING .....	2	REPLACES 303312900
5	303010440	WASHER 11X22X3	6	
6	012210050	BOLT 10X50 .....	6	REPLACES 012010050
7	012210060	BOLT 10X58 .....	6	REPLACES 012010058
9	030210250	SW M10	12	
10	020310080	NUT M10	6	
15	301010780	FUEL TANK,	1	
18A	301910081	TANK CAP ASSY. ....	6	INCLUDES ITEMS W/#
18#	953404280	TANK CAP .....	1	REPLACES 301010740
19#	301010860	LEAK STOPPER	1	
20#	301010850	SPONGE	1	
21#	301420050	PLATE	1	
22	954405080	FUEL FILTER .....	1	REPLACES 301010760
23	954300390	FUEL COCK ASSY. CL-TYPE .....	1	INCLUDES ITEMS W/% REPLACES 301322990
23-1%	0642001410	CUP, FUEL COCK	1	
23-2%	0642001420	SCREEN, FUEL COCK	1	
23-3%	0642001430	RUBBER PACKING, FUEL COCK	1	
25+	301420540	PROTECT SPRING 10X180	1	
26	956300060	THROTTLE LEVER	1	
27	301010900	THROTTLE WIRE S335-445	1	
28+	301420730	HOSE CLAMP 11 .....	2	REPLACES 303010490
29	959401750	WIRE STOPPER ASSY.	1	
31	402010110	RETURN SPRING	1	
32	920202630	DECAL, TRADE MARK/RAMMER .....	1	REPLACES 920100340
33	920201810	DECAL, CAUTION	1	
34	920200500	DECAL, MIXED FUEL	1	
36+	301420330	FUEL HOSE R-170	1	
37+	301419750	FUEL FILTER CP, MQ75MIC	1	
38+	303424870	FUEL HOSE R-30	1	
39	030208200	WASHER SW M8	6	
40	011008015	BOLT 8X15	6	
42+	301420730	HOSE CLAMP A9	2	
43*	301421840	ROLLER	4	
44*	011005025	BOLT 5X25	4	
45*	031105080	WASHER PW M5	8	
46*	020305040	NUT M5 .....	4	REPLACES 020105040
47	959403750	RUBBER SLIP STOP	1	
+	302910080	FUEL HOSE ASSY .....	1	INCLUDES ITEMS W/+

# ROBIN EC-08G ENGINE — CRANKCASE AND CYLINDER ASSY.

## CRANKCASE AND CYLINDER ASSY.



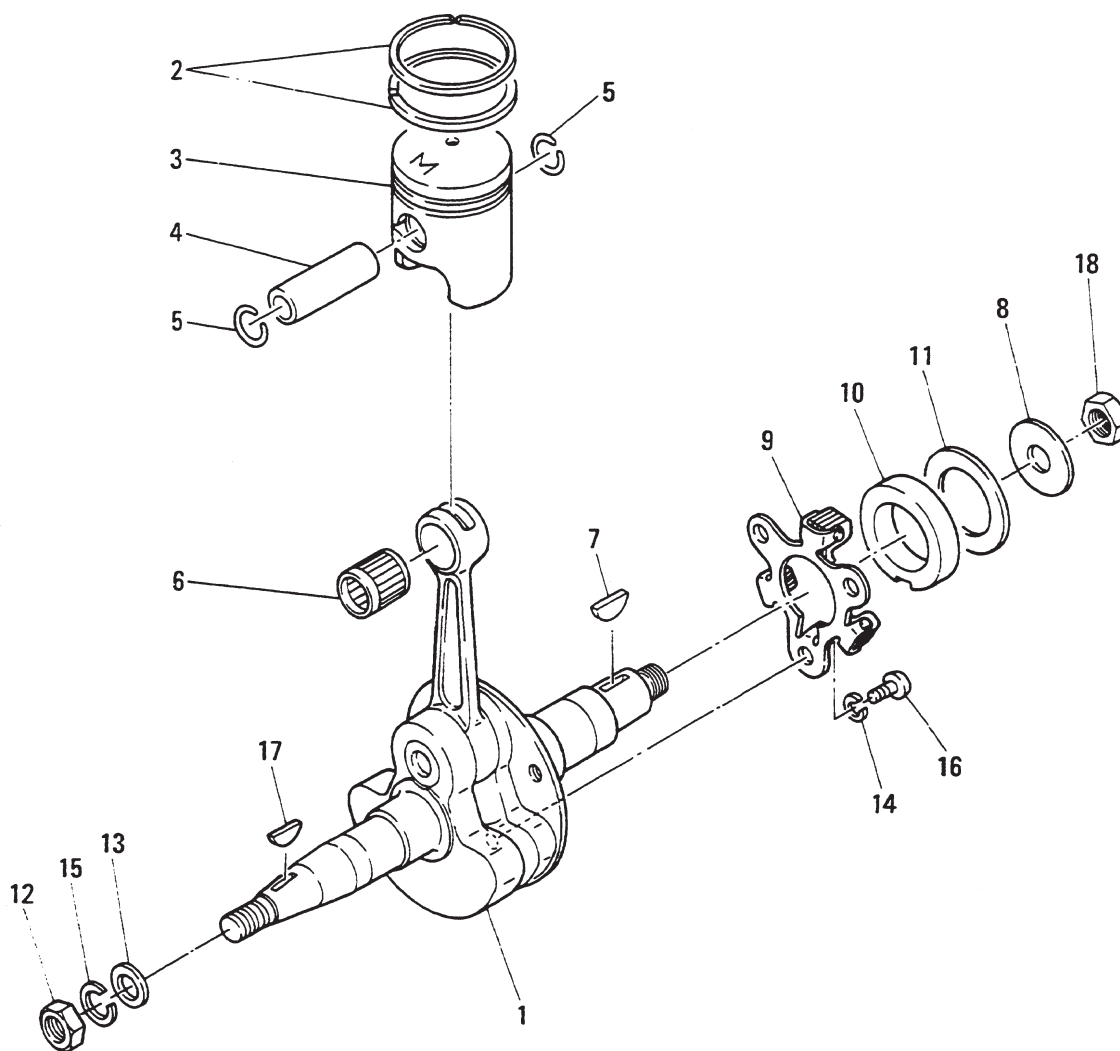
# ROBIN EC-08G ENGINE — CRANKCASE AND CYLINDER ASSY.

## CRANKCASE AND CYLINDER ASSY.

<u>NO.</u>	<u>PART NO.</u>	<u>PART NAME</u>	<u>QTY.</u>	<u>REMARKS</u>
1	5801018000	CRANKCASE COMPLETE .....	1	INCLUDES ITEMS W/* REPLACES EC08S0250
2*	0600200010	BALL BEARING, 6004C3	1	
3*	0600200020	BALL BEARING, 6004C3	1	
4	0440200020	OIL SEAL, TC20307	1	
5*	0440179930	OIL SEAL, TC20307	1	
6*	0440060010	OIL SEAL	1	
7*	0105064970	STUD	4	
8*	0105060050	STUD	1	
9	5801028000	CYLINDER COMPLETE .....	1	INCLUDES ITEMS W/#, REPLACES EC08A0110
10	0105064970	STUD	2	
11#+	5801501600	PACKING (CYLINDER) .....	1	REPLACES EC05A1111
12+	1063500103	GASKET (INSULATOR)	2	
13	1293290103	INSULATOR	1	
14+	1293500403	GASKET (MUFFLER)	1	
15	0241029990	GROMMET .....	1	REPLACES EC05A7102
16	0650140031	SPARK PLUG	1	
17	0011406450	BOLT ASSY.	4	
18	002170600	NUT	4	
19	0170069960	U-NUT .....	4	REPLACES EC08A3104
20	0031006000	WASHER	4	
21	030206150	SPRING WASHER .....	4	REPLACES 0032006000
22	0643000101	DRAIN COCK .....	1	REPLACES 06430-00100
23	5809501600	PROTECTOR (E/G) .....	1	TO 37902
+	1299900107	GASKET SET .....	1	INCLUDES ITEMS W/+

# ROBIN EC-08G ENGINE — CRANKSHAFT AND PISTON ASSY.

CRANKSHAFT AND PISTON ASSY.



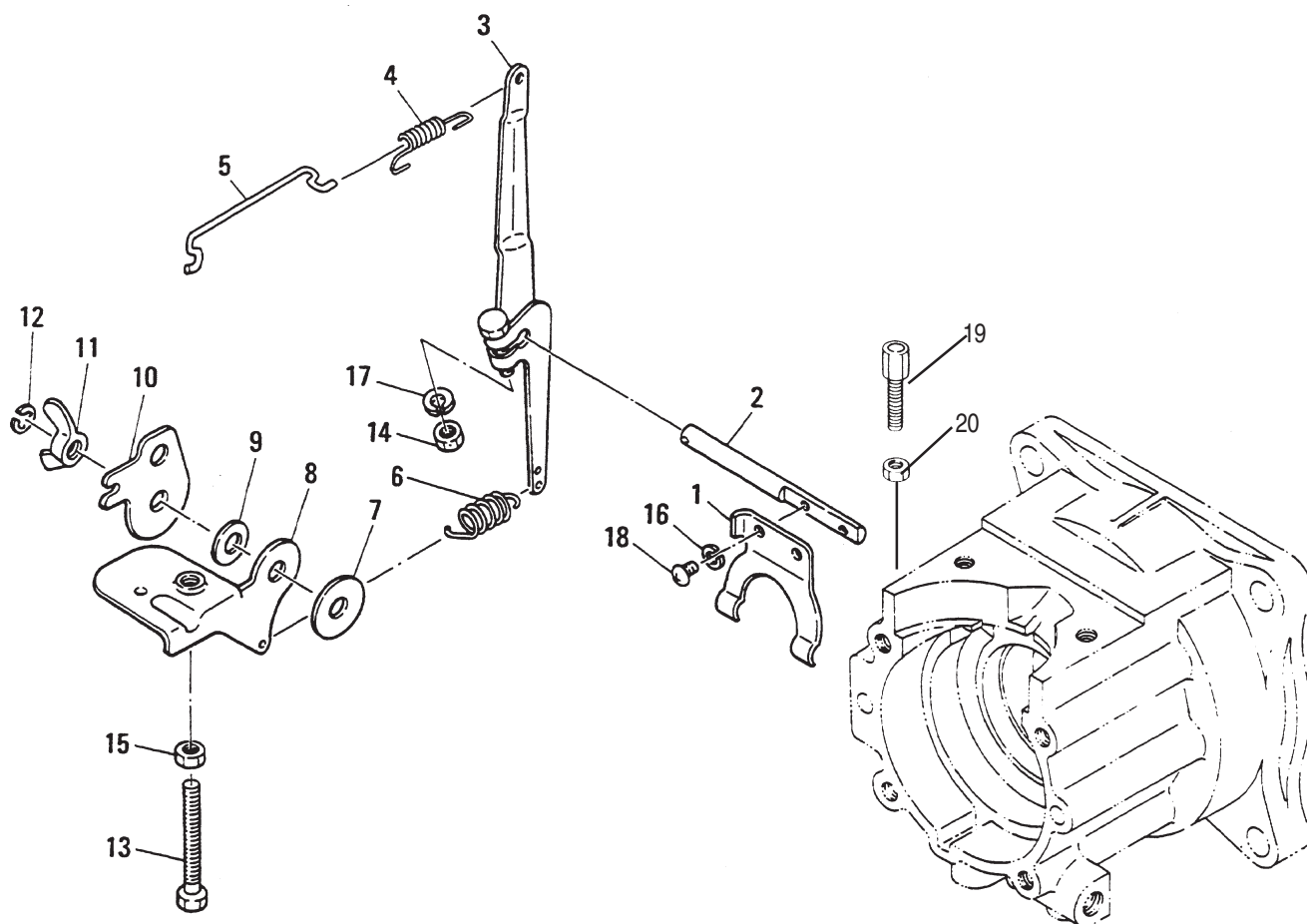
# ROBIN EC-08G ENGINE — CRANKSHAFT AND PISTON ASSY.

## CRANKSHAFT AND PISTON ASSY.

<u>NO.</u>	<u>PART NO.</u>	<u>PART NAME</u>	<u>QTY.</u>	<u>REMARKS</u>
1	5802008000	CRANKSHAFT COMPL.....	1	BEFORE S/N U-7419 REPLACES EC08A0205A
1	5802016001	CRANKSHAFT COMPL.....	1	FROM S/N U-7419
2	5802023000	PISTON RING SET .....	1	REPLACES EC08AS0100
3	5802500600	PISTON .....	1	REPLACES EC08A2104A
4	5802500700	PISTON PIN .....	1	REPLACES EC08A2105A
5	0565119990	CLIP	2	
6	0610120010	NEEDLE BEARING	1	
7	0053204201	WOODRUFF KEY	1	
8	0200080030	WASHER	1	
9	1294170322	GOVERNOR PLATE UNIT	1	
10	5514500100	GOVERNOR SLEEVE .....	1	REPLACES EC05A4102
11	0230230020	SPACER	0-4	
12	0039310000	NUT .....	1	REPLACES 0021810000
13	030206150	WASHER	1	
14	0032005000	SPRING WASHER	3	
15	030206150	SPRING WASHER	1	
16	0043105080	SCREW (PAN HEAD)	3	
17	0053204201	WOODRUFF KEY	1	
18	352010010	LOCK NUT .....	1	REPLACES 301010960

# ROBIN EC-08G ENGINE — GOVERNOR ASSY.

GOVERNOR ASSY.



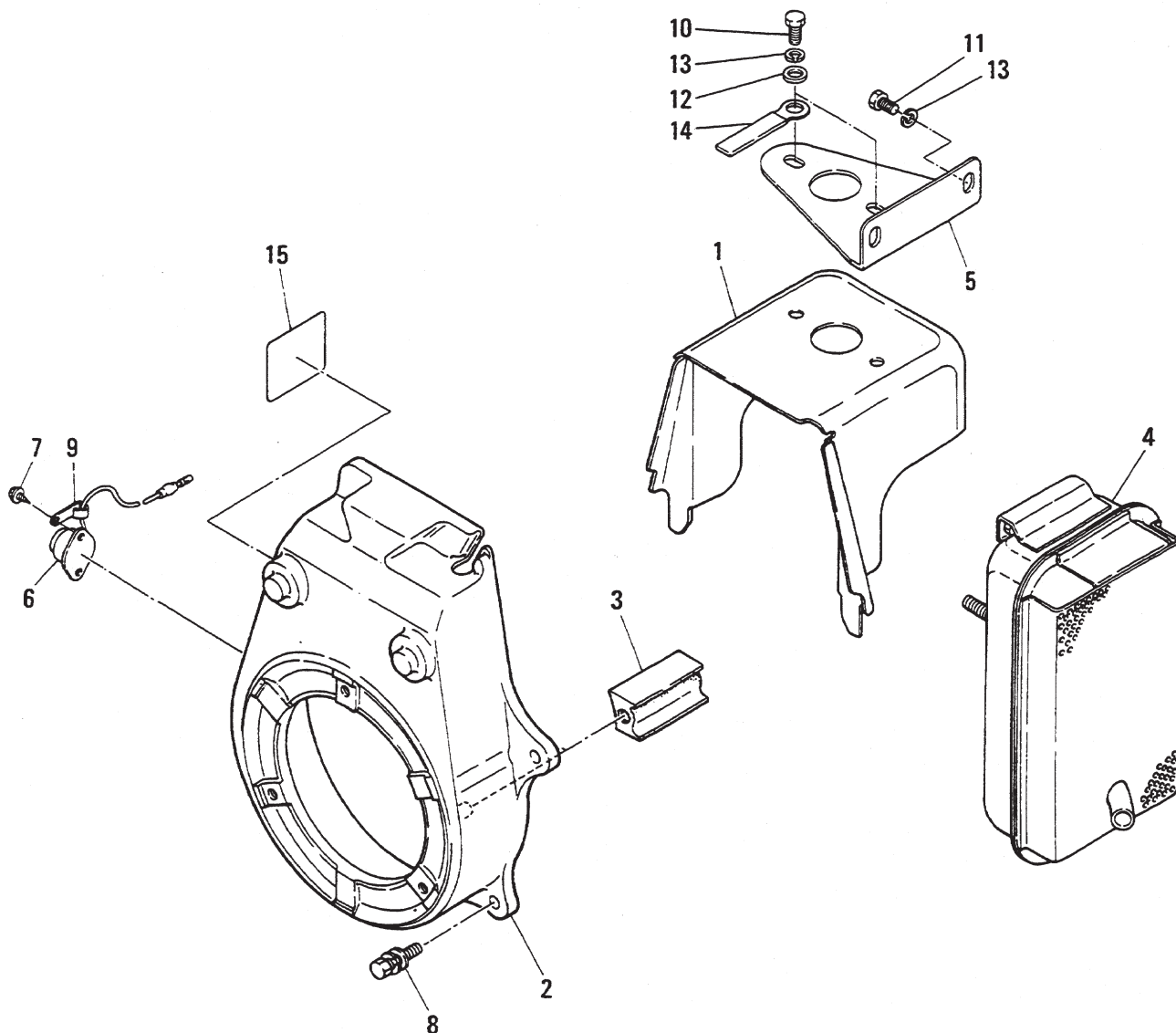
# ROBIN EC-08G ENGINE — GOVERNOR ASSY.

## GOVERNOR ASSY.

<u>NO.</u>	<u>PART NO.</u>	<u>PART NAME</u>	<u>QTY.</u>	<u>REMARKS</u>
1	5000841040	GOVERNOR YOKE .....	1	REPLACES EC08A4104
2	1294220103	GOVERNOR SHAFT	1	
3	1294230111	GOVERNOR LEVER COMPL.	1	
4	1064280113	ROD SPRING .....	1	REPLACES 1064280111
5	1054270111	GOVERNOR ROD	1	
6	1294250111	GOVERNOR SPRING	1	
7	0217060020	FRICTION WASHER	1	
8	5514500000	GOVERNOR LEVER .....	1	REPLACES EC05A4101
9	0200070010	WASHER	1	
10	5514500200	STOP PLATE .....	1	REPLACES EC05A4103
11	0178060010	WING NUT	1	
12	1294500103	CLIP	1	
13	0016506400	BOLT	1	
14	0021706000	NUT	1	
15	020106050	NUT .....	1	REPLACES 0022706000
16	0032003000	SPRING WASHER	2	
17	030206150	SPRING WASHER	1	
18	0043103050	SCREW (PAN HEAD)	2	
19	0149060040	ADJUSTING SCREW	1	
20	020106050	NUT	1	

# ROBIN EC-08G ENGINE — MUFFLER AND BLOWER HOUSING ASSY.

MUFFLER AND BLOWER HOUSING ASSY.



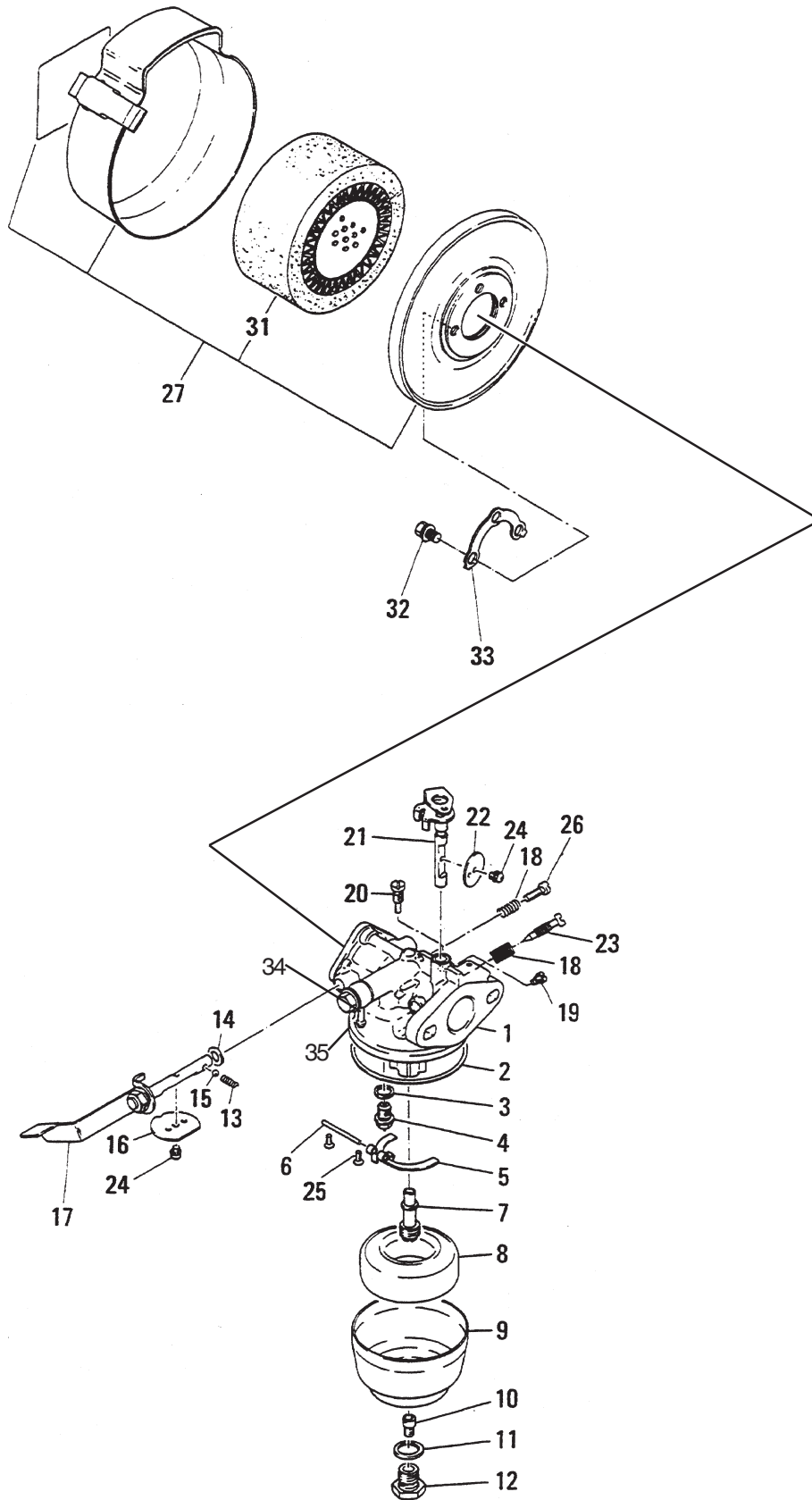
# ROBIN EC-08G ENGINE — MUFFLER AND BLOWER HOUSING ASSY.

## MUFFLER AND BLOWER HOUSING ASSY.

<b>NO.</b>	<b>PART NO.</b>	<b>PART NAME</b>	<b>QTY.</b>	<b>REMARKS</b>
1	5515501000	CYLINDER COVER .....	1	REPLACES EC05A1110AB
2	5805500100	BLOWER HOUSING COMPL. ....	1	REPLACES EC085101B
3	5515500200	GUIDE RUBBER .....	1	REPLACES EC05A5102
4	5803023000	MUFFLER ASSY. ....	1	REPLACES EC080313TA
5	EC083102TA	MUFFLER BRACKET	1	
6	0669900207	STOP BUTTON COMPL. ....	1	S/N C-5084 AND BELOW REPLACES 0662009870
6A	0662009720	SWITCH STOP .....	1	ABOVE S/N C-5084
7	0043504060	SCREW ASSY. ....	2	S/N C-5084 AND BELOW
7A	0043304100	SCREW/WASHER ASSY. ....	2	ABOVE S/N C-5084
8	0011106200	BOLT ASSY.	4	
9	0566030010	CLAMP	1	
10	0016706200	BOLT ASSY (CYLINDER)	2	
11	0016706160	BOLT ASSY. (MUFFLER)	2	
12	0031206000	WASHER	2	
13	030206150	SPRING WASHER .....	4	REPLACES 0032006000
14	1507520103	CLAMP COMPL. ....	1	REPLACES EC080408
15	5809501000	LABEL (ENGINE) .....	1	REPLACES EC089117

# ROBIN EC-08G ENGINE — CARBURETOR AND AIR CLEANER ASSY.

## CARBURETOR AND AIR CLEANER ASSY.



# ROBIN EC-08G ENGINE — CARBURETOR AND AIR CLEANER ASSY.

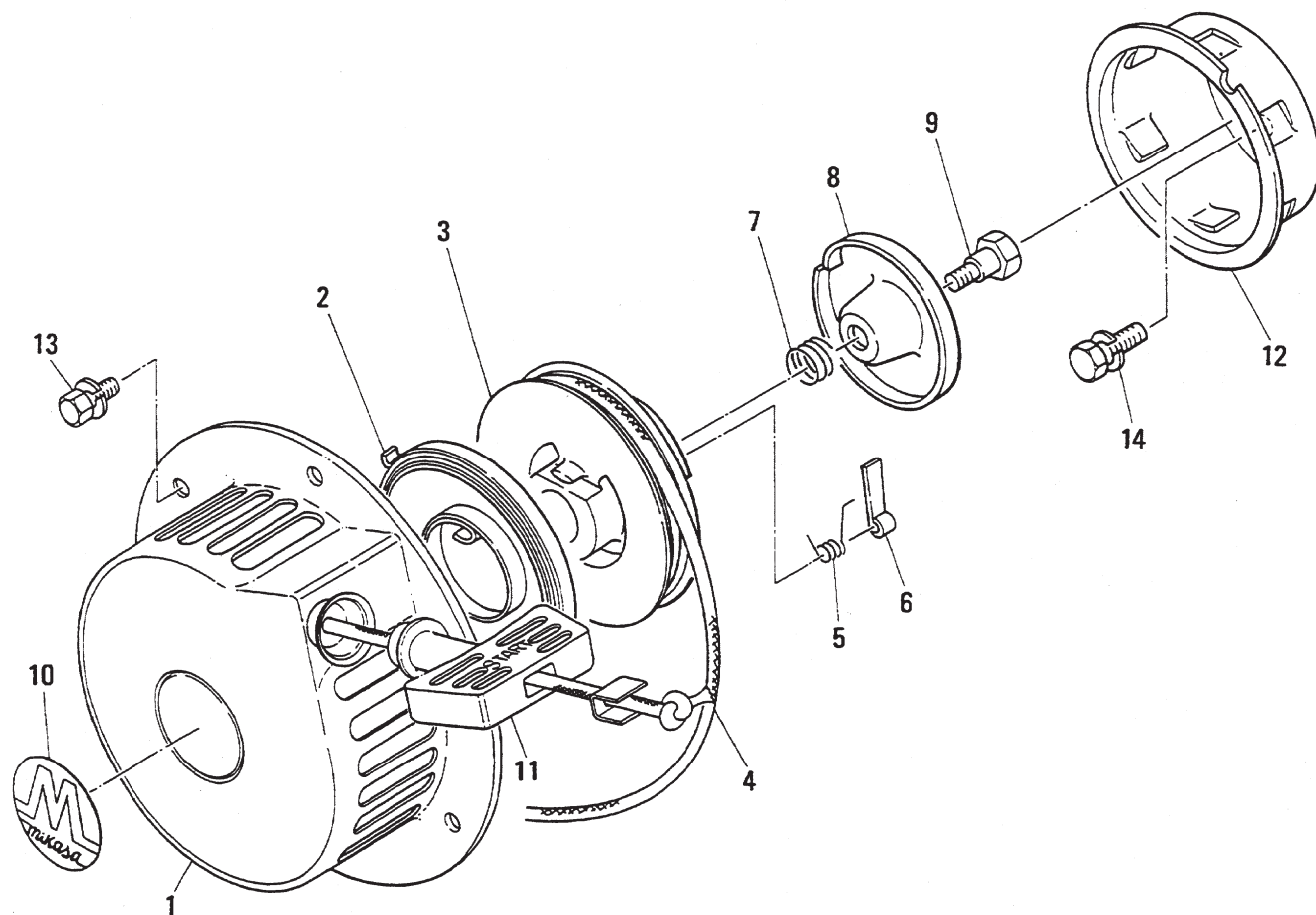
## CARBURETOR AND AIR CLEANER ASSY.

<u>NO.</u>	<u>PART NO.</u>	<u>PART NAME</u>	<u>QTY.</u>	<u>REMARKS</u>
1	5806069000	CARBURETOR ASSY. ....	1	INCLUDES ITEMS W/# REPLACES 5806062001
2#*	1066254708	PACKING	1	
3#*	1066238108	PACKING NEEDLE	1	
4#*	1286250008	NEEDLE VALVE (1.8) .....	1	REPLACES 1066250308
5#	1066251108	FLOAT ARM	1	
6#	1066251608	PIN	1	
7#	1066245508	NOZZLE (17A) .....	1	REPLACES 1066245008
8#	1066250808	FLOAT	1	
9#	1066238908	FLOAT CHAMBER BODY	1	
10#*	1296240008	REVERSE MAIN JET (75)	1	
11#*	2066243108	PACKING	1	
12#	2066235008	GUIDE HOLDER	1	
13#	2096244608	CHOKE SPRING	1	
14#*	5806083210	SEAL .....	1	REPLACES 1066239218
15#	2096235308	STEEL BALL	1	
16#	1066255408	VALVE (CHOKE) (9.5)	1	
17#	5806062210	SHAFT ASSY (CHOKE) .....	1	REPLACES BV18652
18#*	2066244608	SPRING	2	
19#	1066235708	GUIDE SCREW	1	
20#*	1286242008	PILOT JET (37.5)	1	
21#	1286253008	SHAFT ASSY (THROTTLE)	1	
22#	2266253508	THROTTLE VALVE (200)	1	
23#*	1066243608	PILOT SCREW	1	
24#	2096235108	SPRING WASHER CROSS SCREW	1	
25#	1306235808	CROSS SCREW	2	
26#	1066235808	SCREW	1	
27	5803019000	AIR CLEANER ASSY. ....	1	INCLUDES ITEMS W/+ REPLACES EC08A0337
31+	1063260207	ELEMENT SET .....	1	OPTIONAL FOAM ELEMENT UA91
32	0011305100	BOLT ASSY. ....	3	REPLACES 0011005100
33	1063520101	LOCK WASHER	1	
34	0521060100	BANJO .....	1	REPLACES 0521060052
35*	2076234508	WASHER, BANJO	2	
*	EC086230	CARBURETOR KIT .....	1	INCLUDES ITEMS W/*

OPTIONAL FOAM AIR CLEANER ELEMENT REQUIRES  
 PROPER OILING AFTER CLEANING AND GREASE  
 ENDS FOR PROPER SEAL IN A/C HOUSING.

# ROBIN EC-08G ENGINE — RECOIL STARTER ASSY.

RECOIL STARTER ASSY.



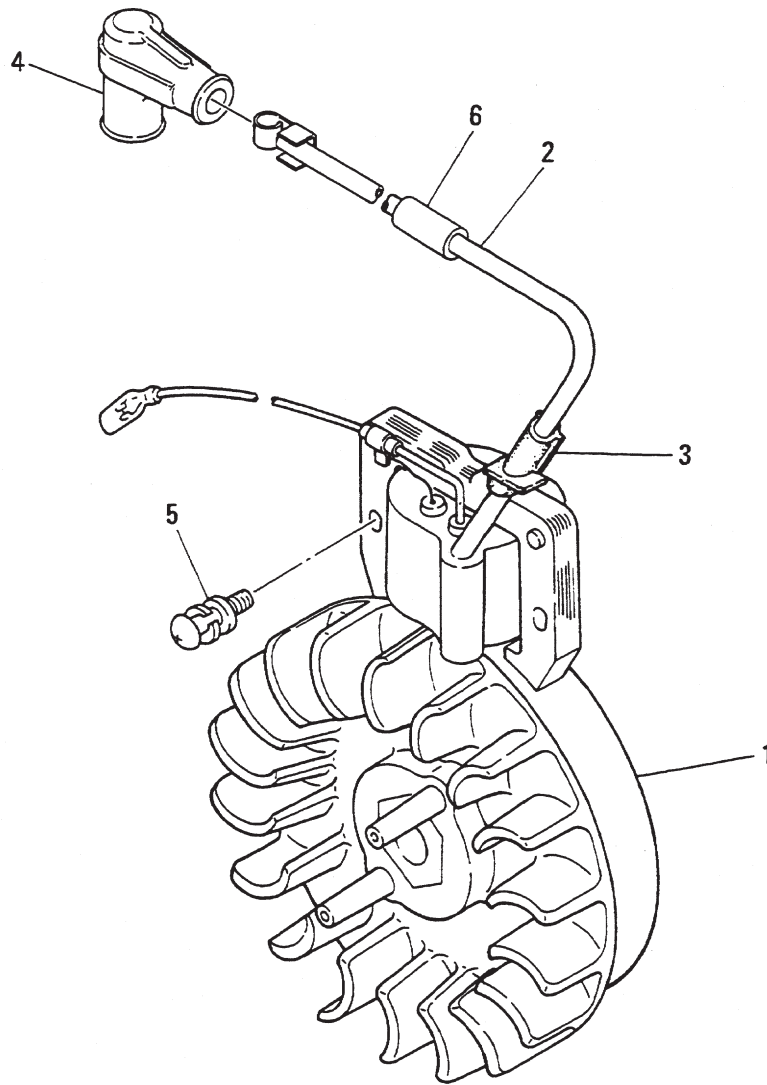
# ROBIN EC-08G ENGINE — RECOIL STARTER ASSY.

## RECOIL STARTER ASSY.

<u>NO.</u>	<u>PART NO.</u>	<u>PART NAME</u>	<u>QTY.</u>	<u>REMARKS</u>
1	5805001000	RECOIL STARTER ASSY. ....	1	INCLUDES ITEMS W/* REPLACES EC080501
2*	5805004020	SPIRAL SPRING .....	1	REPLACES EC08A05032
3*	5805004030	REEL .....	1	REPLACES EC08A05033
4*	1295011008	STARTER ROPE .....	1	REPLACES EC0805019
5*	5805004050	RETURN SPRING .....	1	REPLACES EC08A05035
6*	5805004040	RATCHET .....	1	REPLACES EC08A05034
7*	5805004110	FRICTION SPRING .....	1	REPLACES EC08A05037
8*	EC08A05038	FRICTION PLATE	1	
9*	5805011020	CENTER SCREW .....	1	REPLACES EC08A05036
10*	5809501000	TRADE MARK .....	1	REPLACES EC089117
11*	5805001030	STARTER HANDLE .....	1	REPLACES EC08050110
12*	EC08A050311	STARTER PULLEY	1	
13	0011006100	BOLT ASSY.	3	
14	0011006140	BOLT ASSY.	2	

# ROBIN EC-08G ENGINE — MAGNETO ASSY.

MAGNETO ASSY.



# ROBIN EC-08G ENGINE — MAGNETO ASSY.

## MAGNETO ASSY.

<u>NO.</u>	<u>PART NO.</u>	<u>PART NAME</u>	<u>QTY.</u>	<u>REMARKS</u>
1	5807002000	MAGNETO COMPL. T. C. I.	1	INCLUDES W/* BEFORE S/N U-7419 REPLACES EC08A0701A
1	5807005001	MAGNETO COMPL. T. C. I. ....	1	INCLUDES ITEMS W/* FROM S/N U-7419
2*	5807007020	IGNITION COIL .....	1	REPLACES EC08A07012
3	0241069980	GROMMET .....	1	REPLACES EC05A7101A
4	0655000140	SPARK PLUG CAP	1	
5	0043605250	SCREW (PAN HEAD)	2	
6	0851029960	VINYL PIPE .....	1	REPLACES EC05A6121