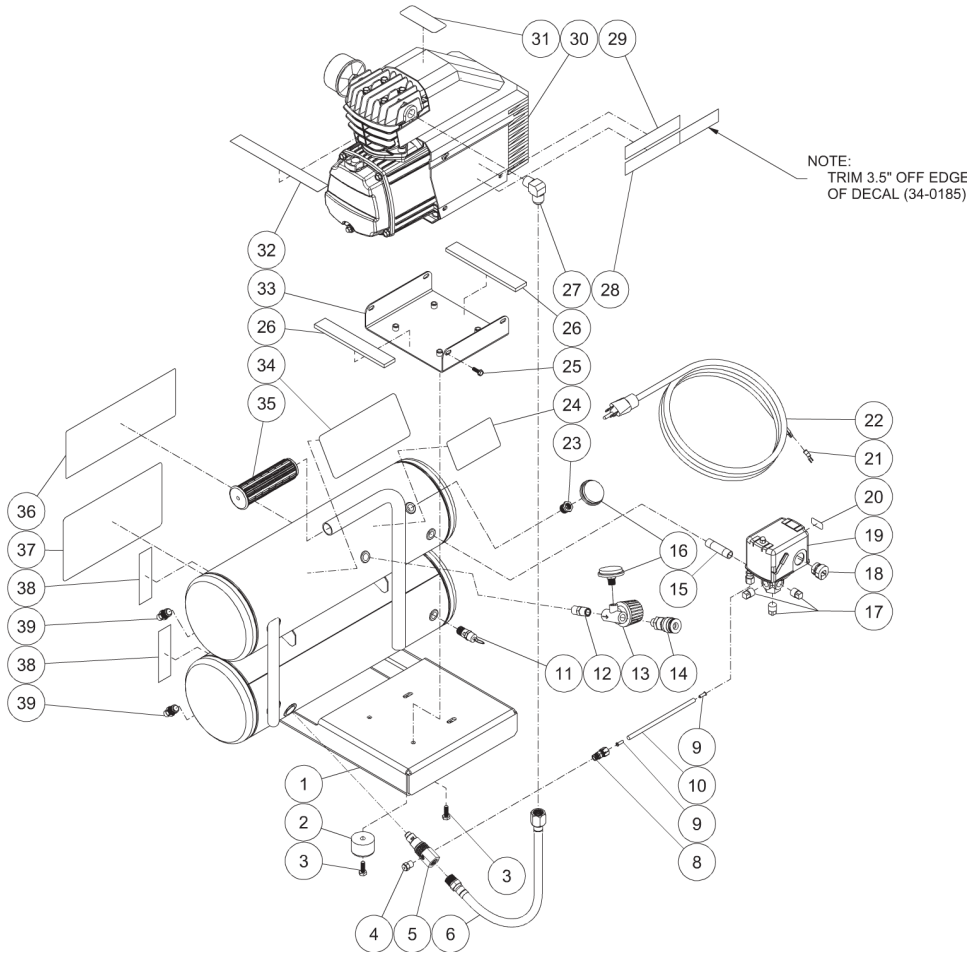




AC1-HE02-05M1 / AC1-HE02-05M1 (sn:20117043-99999999)

TANK ASSEMBLY



Id	Item #	Description	Quantity	Rev	Comments
1	12-0152A01	TANK ASSEMBLY	1		
2	14-0069	ISOLATOR	4		
3	27-0015	BOLT	8		
4	22-0364	VALVE	1		
5	22-0363	CHECK VALVE	1		
6	15-0236	HOSE	1		
7	29-0006	LOCKWASHER	4		
8	23-0328	ADAPTER	1		
9	23-0486	TUBE SUPPORT	2		
10	15-0238	HOSE *(TWO FEET REQUIRED)	1		

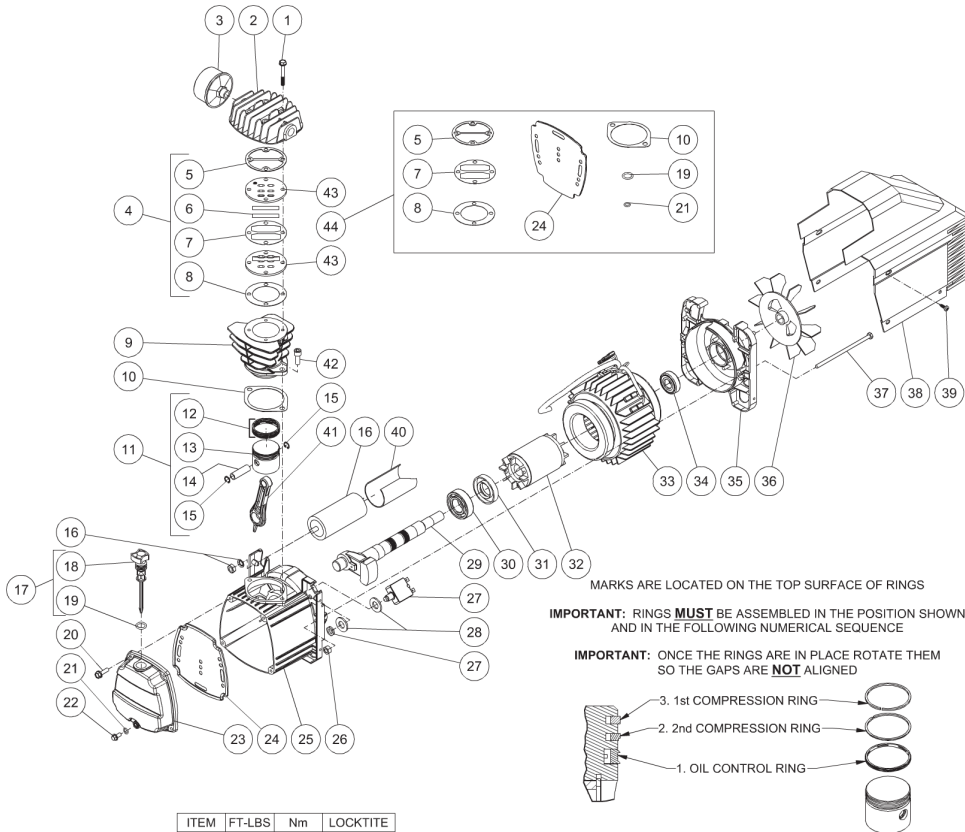
Id	Item #	Description	Quantity	Rev	Comments
11	22-0228	SAFETY VALVE	1		
12	24-0145	NIPPLE	1		
13	22-0326	REGULATOR	1		
14	17-0043	QUICK CONNECT	1		
15	23-0447	NIPPLE	1		
16	22-0257	PRESSURE GAUGE	2		
17	23-0238	PLUG	3		
18	9-0045	BUSHING	2		
19	22-0397	PRESSURE SWITCH	1		
20	34-0897	DECAL - 115 VOLT (SEE 34-9016)	1		
21	32-0003	TERMINAL	3		
22	32-0444	CORD PLUG SET	1		
23	23-0111	REDUCER	1		
24	N/A	DECAL- SILVER STICKER	1		
25	27-8390	BOLT	4		
26	26-0289	GASKET	2		
27	23-0426	ELBOW	1		
28	34-0185	DECAL - MI-T-M STRIPE W/LOGO	1		
29	34-1422	DECAL-HORSEPOWER AIR COMP.	1		
30	3-0306	MOTOR/PUMP	1		
31	N/A	DECAL - RISK OF BURNS (SEE 34-9016)	1		
32	N/A	DECAL - CHECK OIL (SEE 34-9016)	1		
33	13-0138A01	PUMP SUPPORT BRACKET	1		
34	N/A	DECAL - OPERATING INSTRUCTIONS (SEE 34-9016)	1		
35	7-0059	HANDLE GRIP	1		
36	34-0828	DECAL - AIR COMPRESSOR	1		
37	N/A	DECAL - CAUTION/WARNING/DANGER (SEE 34-9016)	1		
38	N/A	DECAL - TANK DRAIN (SEE 34-9016)	2		
39	23-0312	PETCOCK	2		
40	34-9016	DECAL SET - AIR COMPRESSOR	1		

*MUST ORDER IN ONE FOOT LENGTHS



AC1-HE02-05M1 / AC1-HE02-05M1 (sn:20117043-99999999)

COMPRESSOR/MOTOR



Id	Item #	Description	Quantity	Rev	Comments
1	27-8907	BOLT	4		
2	46-1306	HEAD	1		
3	19-0215	FILTER ELEMENT	1		
4	70-0496	VALVE KIT (5, 6, 7, 8)	1		
5	N/A	HEAD GASKET	1		
6	N/A	VALVE BLADE	2		
7	N/A	VALVE GASKET	1		
8	N/A	CYLINDER GASKET	1		
9	46-1307	CYLINDER	1		
10	N/A	CRANKCASE GASKET	1		
11	70-0339	PISTON KIT (12, 13, 14, 15)	1		

Id	Item #	Description	Quantity	Rev	Comments
12	70-0347	PACKING SET	1		
13	46-1035	PISTON	1		
14	46-1037	WRIST PIN	1		
15	46-1036	SNAP RING	2		
16	32-0972	CAPACITOR	1		
17	N/A	DIPSTICK ASSEMBLY	1		
18	46-1308	OIL DIPSTICK	1		
19	25-0305	O-RING	1		
20	27-8002	BOLT	4		
21	25-0525	O-RING	1		
22	27-9541	SCREW	1		
23	46-1309	CRANKCASE COVER	1		
24	N/A	COVER GASKET	1		
25	N/A	CRANKCASE	1		
26	30-0005	HEX NUT	2		
27	32-0973	OVERLOAD CUTOFF	1		
28	28-0006	WASHER	2		
29	N/A	CRANKSHAFT	1		
30	48-0060	BALL BEARING	1		
31	26-0318	OIL SEAL	1		
32	N/A	ROTOR	1		
33	N/A	STATOR & WINDING	1		
34	N/A	BEARING	1		
35	52-0058	COVER	1		
36	52-0059	MOTOR FAN	1		
37	27-8900	BOLT	2		
38	46-1310	AIR SHROUD	1		
39	27-9542	SCREW	2		
40	N/A	CAPACITOR COVER	1		
41	46-1038	CONNECTING ROD	1		
42	27-8432	SCREW	2		
43	N/A	VALVE PLATE	2		
KIT	70-0497	GASKET KIT (INC. 5, 7, 8, 10, 19, 21, 24)	1		