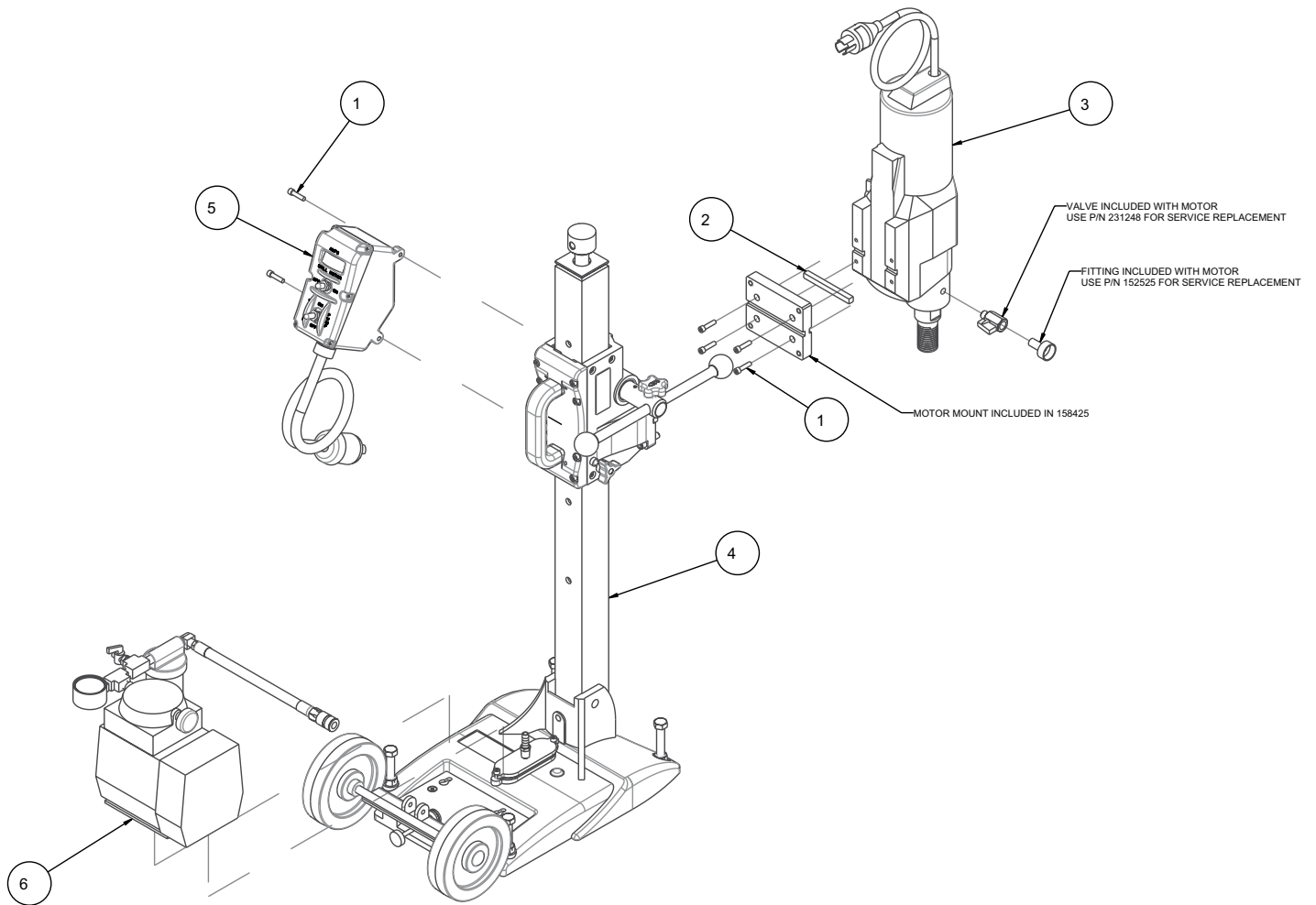


MANTA III 4096 COMBO FIXED P/N 157448



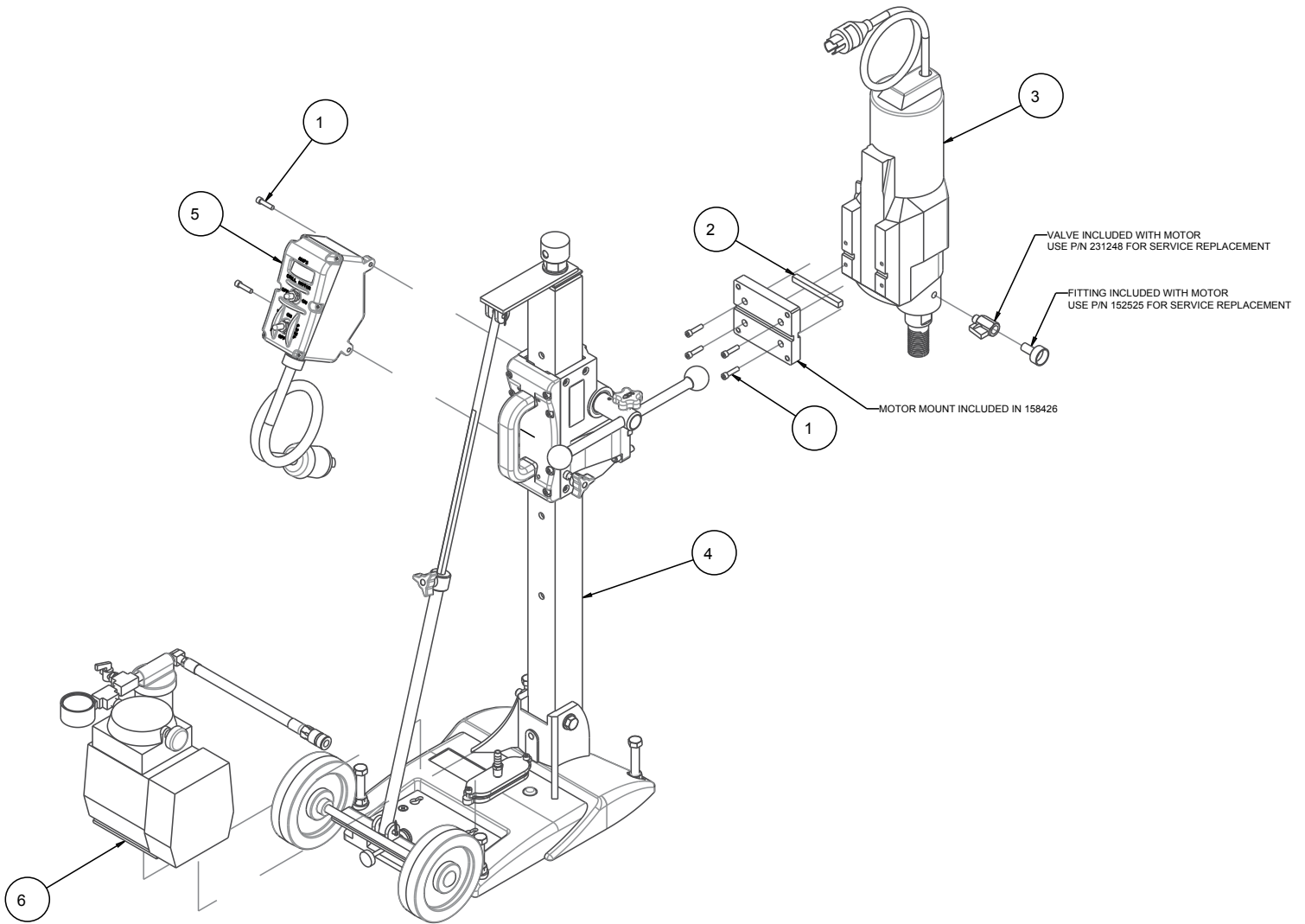
Manta Drill Motor Combinations Table

Drill Part#	Motor Description
158639	Manta III ML4004 Combo Fixed
158641	Manta III ML4090 Combo Fixed
157449	Manta III ML4094 Combo Fixed
158640	Manta III MK4097-20 Combo Fixed

MANTA III 4096 COMBO FIXED P/N 157448

ITEM NO.	DESCRIPTION	PART #	QTY.
1	SCREW, SOC HD CAP, 1/4-20 X 1	151049	6
2	KEY, SQR, 3/8 X 4.0	154853	1
3	MTR, 20 AMP 4096-MIL W/CLUTCH	155540	1
4	MANTA 3 STAND COMBO FIXED	158425	1
5	ASSY, CONTROL BOX DUAL SWITCH 120V	158428	1
6	ASSY, VACUUM PUMP 110V	158530	1

MANTA III 4096 COMBO TILT P/N 158645



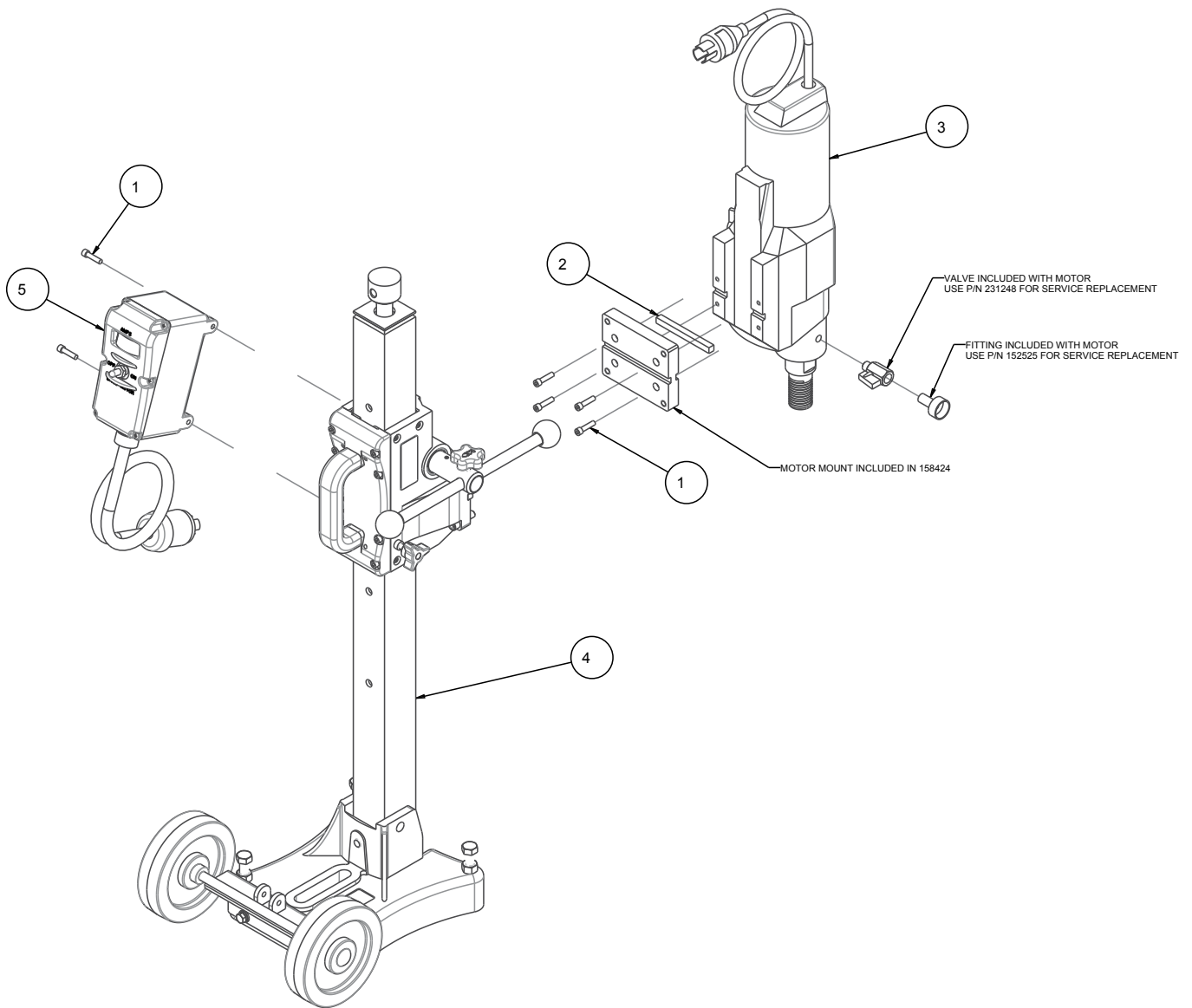
Manta Drill Motor Combinations Table

Drill Part#	Motor Description
158647	Manta III ML4004 Combo Tilt
158649	Manta III ML4090 Combo Tilt
158644	Manta III ML4094 Combo Tilt
158648	Manta III MK4097-20 Combo Tilt

MANTA III 4096 COMBO TILT P/N 158645

ITEM NO.	DESCRIPTION	PART #	QTY.
1	SCREW, SOC HD CAP, 1/4-20 X 1	151049	6
2	KEY, SQR, 3/8 X 4.0	154853	1
3	MTR, 20 AMP 4096-MIL W/CLUTCH	155540	1
4	MANTA 3 STAND COMBO TILT	158426	1
5	ASSY, CONTROL BOX DUAL SWITCH 120V	158428	1
6	ASSY, VACUUM PUMP 110V	158530	1

MANTA III 4096 ANCHOR FIXED P/N 167326



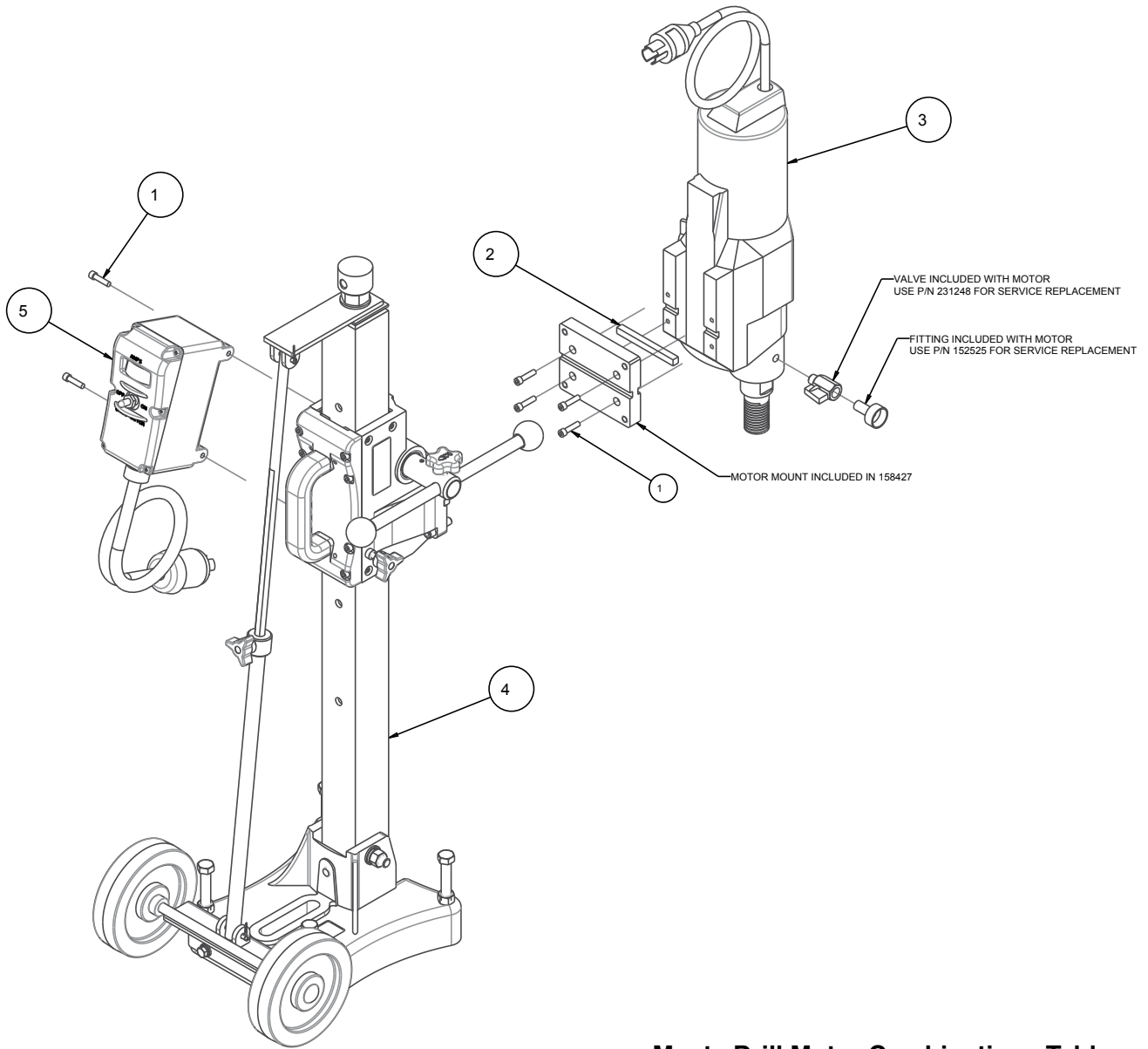
Manta Drill Motor Combinations Table

Drill Part#	Motor Description
167324	Manta III ML4004 Anchor Fixed
167325	Manta III ML4090 Anchor Fixed
167327	Manta III ML4094 Anchor Fixed

MANTA III 4096 ANCHOR FIXED P/N 167326

ITEM NO.	DESCRIPTION	PART #	QTY.
1	SCREW, SOC HD CAP, 1/4-20 X 1	151049	6
2	KEY, SQR, 3/8 X 4.0	154853	1
3	MTR, 20 AMP 4096-MIL W/CLUTCH	155540	1
4	MANTA 3 STAND ANCHOR FIXED	158424	1
5	ASSY, CONTROL BOX, SINGLE SWITCH 120V	158430	1

MANTA III 4096 ANCHOR TILT P/N 158653



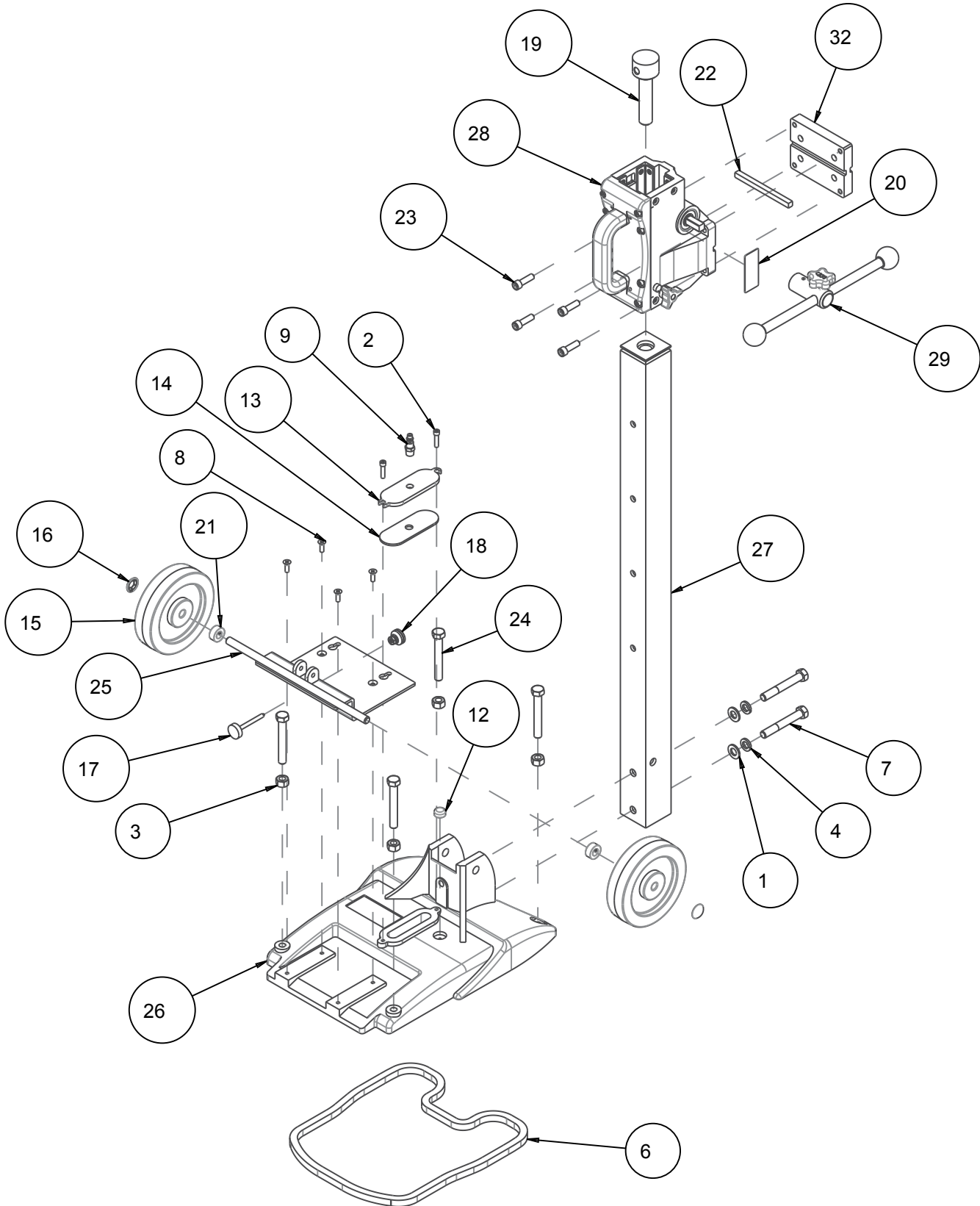
Manta Drill Motor Combinations Table

Drill Part#	Motor Description
158657	Manta III ML4090 Anchor Tilt
158652	Manta III ML4094 Anchor Tilt
158656	Manta III ML4097-20 Anchor Tilt

MANTA III 4096 ANCHOR TILT P/N 158653

ITEM NO.	DESCRIPTION	PART #	QTY.
1	SCREW, SOC HD CAP, 1/4-20 X 1	151049	6
2	KEY, SQR, 3/8 X 4.0	154853	1
3	MTR, 20 AMP 4096-MIL W/CLUTCH	155540	1
4	MANTA 3 STAND ANCHOR TILT	158427	1
5	ASSY, CONTROL BOX, SINGLE SWITCH 120V	158430	1

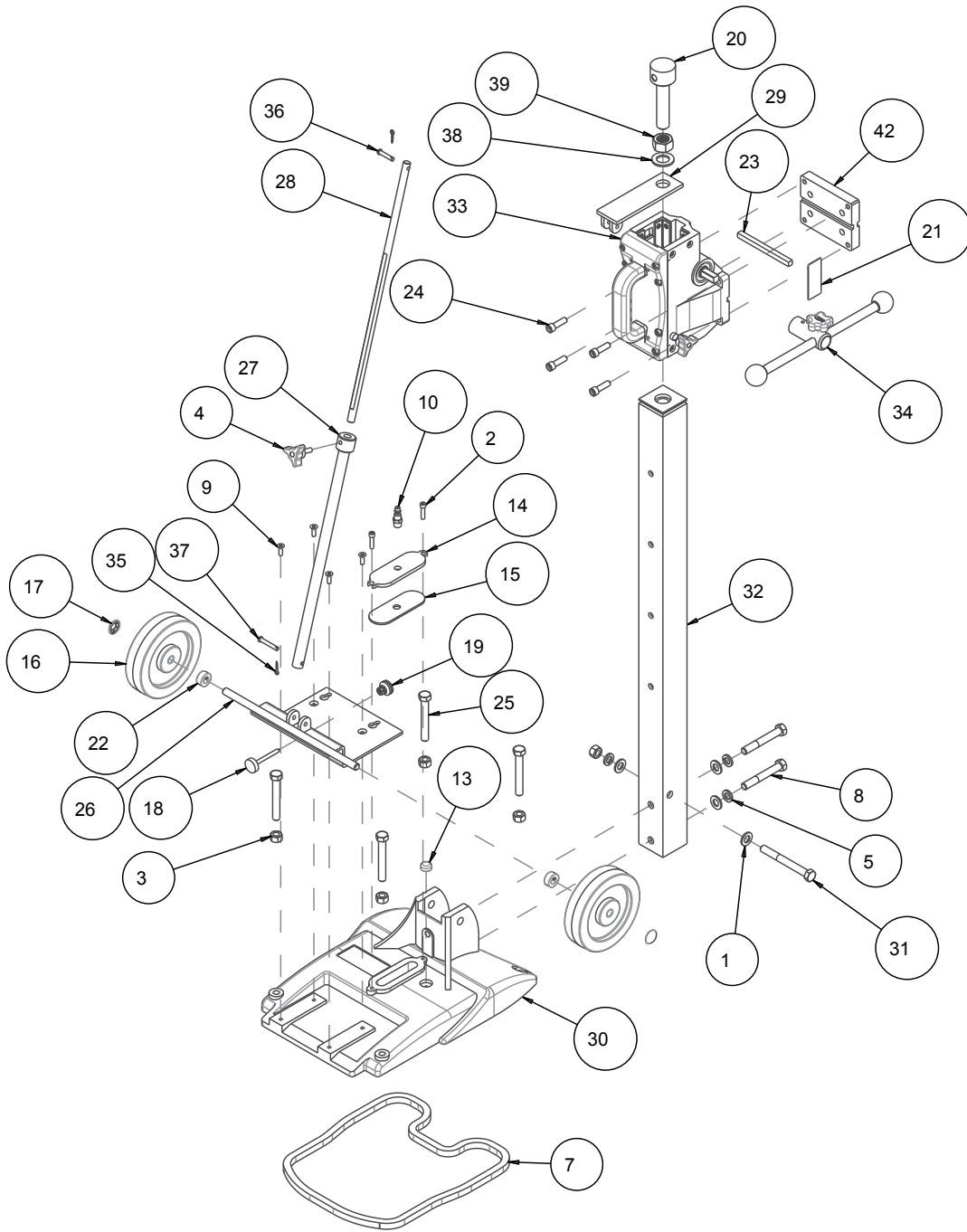
MANTA III CORE DRILL ASSY, DRILL STAND, FIXED, COMBO P/N 158425



MANTA III CORE DRILL ASSY, DRILL STAND, FIXED, COMBO P/N 158425

ITEM NO.	DESCRIPTION	PART #	QTY.
1	WASHER, 1/2 SAE FLAT	150924	2
2	SCREW, SOC HD CAP, 1/4-20 X 1	151049	2
3	NUT, 1/2-13 HEX	151282	4
4	WASHER, 1/2 SPLIT LOCK	153524	2
5	LABEL, WARNING, READ MANUAL	154398	1
6	GASKET, NEOPRENE SPONGE	154543	1
7	SCREW, 1/2-13 X 3-1/2 HEX HEAD CAP	154574	2
8	SCREW, FLAT HD, 1/4-20 X 3/4	154657	4
9	COUPLING, PLUG, 1/4 X 1/4 MNPT	154658	1
10	LABEL, INFORMATION ON SERVICE	155038	1
11	LABEL, NOTICE, MOTOR PROBLEMS	155672	1
12	LEVEL, CIRCULAR BUBBLE, 3/4 DIA	157429	1
13	PLATE, AIR SEAL	157430	1
14	GASKET, AIR SEAL	157431	1
15	WHEEL, ROLLER	157434	2
16	CAP, PUSH 1/2" STAINLESS STEEL	157435	2
17	KNOB, KNURLED HD, 1/4-20 X 2-1/2	157436	1
18	PAD, TOGGLE, 1/4-20 (9/16 X 5/8)	157437	1
19	SCREW, JACK	157445	1
20	TAG, SERIAL NUMBER, BLANK	157500-RW	1
21	COLLAR, MANTA 3, 1/2 X 1 X 7/16	157518	2
22	KEY, 3/8" SQR X 5"	157520	1
23	SCREW, SOC HD, CAP, 3/8-16 X 1-1/4	157529	4
24	SCREW, HEX HD, TAP, 1/2-13 X 3-1/2	158284	4
25	BRACKET, WHEEL & VAC	158321	1
26	BASE, M3 VAC TILT (COMP)	158393	1
27	ASSY, COLUMN W/MK GEAR RACK	158425-2	1
28	ASSY, CARRIAGE	158425-3	1
29	ASSY, HUB & SPOKE	158425-6	1
30	LABEL, WARNING, SILICA, PROP 65	164202	1
31	LABEL, QR CODE	170480	1
32	MOUNT, MOTOR, MIL	172228	1

MANTA III CORE DRILL ASSY, DRILL STAND, TILT, COMBO P/N 158426

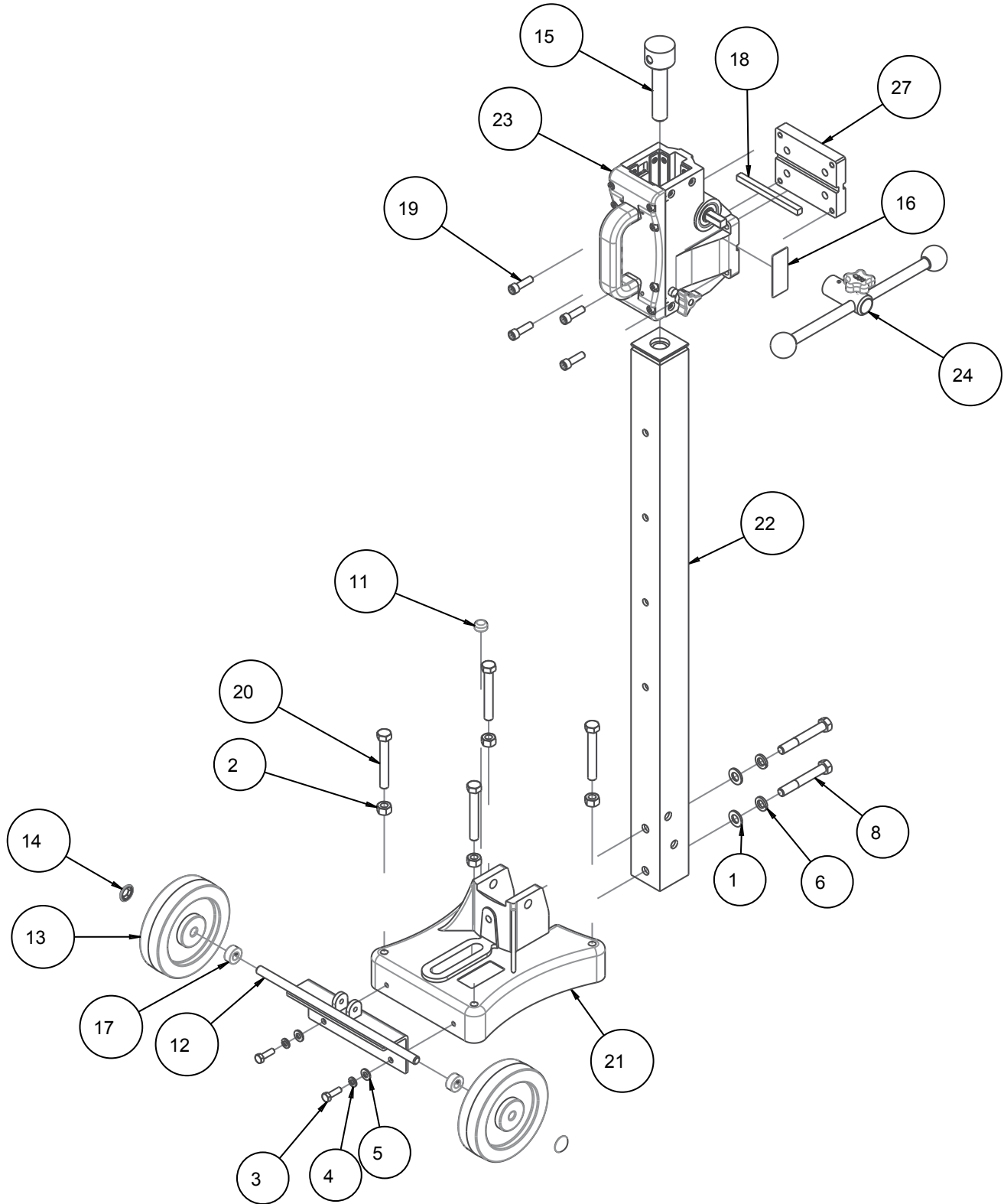


ITEM NO.	DESCRIPTION	PART #	QTY.
1	WASHER, 1/2 SAE FLAT	150924	4
2	SCREW, SOC HD CAP, 1/4-20 X 1	151049	2
3	NUT, 1/2-13 HEX	151282	5
4	KNOB, DAVIES, 5/16-18 X 1	151681	1
5	WASHER, 1/2 SPLIT LOCK	153524	3
6	LABEL, WARNING, READ MANUAL	154398	1
7	GASKET, NEOPRENE SPONGE	154543	1

MANTA III CORE DRILL ASSY, DRILL STAND, TILT, COMBO P/N 158426

ITEM NO.	DESCRIPTION	PART #	QTY.
8	SCREW, 1/2-13 X 3-1/2 HEX HEAD CAP	154574	2
9	SCREW, FLAT HD, 1/4-20 X 3/4	154657	4
10	COUPLING, PLUG, 1/4 X 1/4MNPT	154658	1
11	LABEL, INFORMATION ON SERVICE	155038	1
12	LABEL, NOTICE, MOTOR PROBLEMS	155672	1
13	LEVEL, CIRCULAR BUBBLE, 3/4 DIA	157429	1
14	PLATE, AIR SEAL	157430	1
15	GASKET, AIR SEAL	157431	1
16	WHEEL, ROLLER	157434	2
17	CAP, PUSH 1/2" STAINLESS STEEL	157435	2
18	KNOB, KNURLED HD, 1/4-20 X 2-1/2	157436	1
19	PAD, TOGGLE, 1/4-20 (9/16 X 5/8)	157437	1
20	SCREW, JACK	157445	1
21	TAG, SERIAL NUMBER, BLANK	157500-RW	1
22	COLLAR, MANTA 3, 1/2 X 1 X 7/16	157518	2
23	KEY, 3/8" SQR X 5"	157520	1
24	SCREW, SOC HD, CAP, 3/8-16 X 1-1/4	157529	4
25	SCREW, HEX HD, TAP, 1/2-13 X 3-1/2	158284	4
26	BRACKET, WHEEL & VAC	158321	1
27	TUBE, TELESCOPING BRACE, MNT	158340	1
28	ROD, TELESCOPING SUPPORT	158341	1
29	BRACKET, TELESCOPING ROD SUPRT	158342	1
30	BASE, M3 VAC TILT (COMP)	158393	1
31	SCREW, HEX HD, CAP, 1/2-13 X 4-1/2	158397	1
32	ASSY, COLUMN W/MK GEAR RACK	158425-2	1
33	ASSY, CARRIAGE	158425-3	1
34	ASSY, HUB & SPOKE	158425-6	1
35	PIN, COTTER, 1/6 X 5/8	158451	2
36	PIN, CLEVIS, 1/4 X 1-1/4	158452	1
37	PIN, CLEVIS, 1/4 X 1-5/8	158453	1
38	WASHER, FLAT, M22	158454	1
39	NUT, HEX M22-2.5	158455	1
40	LABEL, WARNING, SILICA, PROP 65	164202	1
41	LABEL, QR CODE	170480	1
42	MOUNT, MOTOR, MIL	172228	1

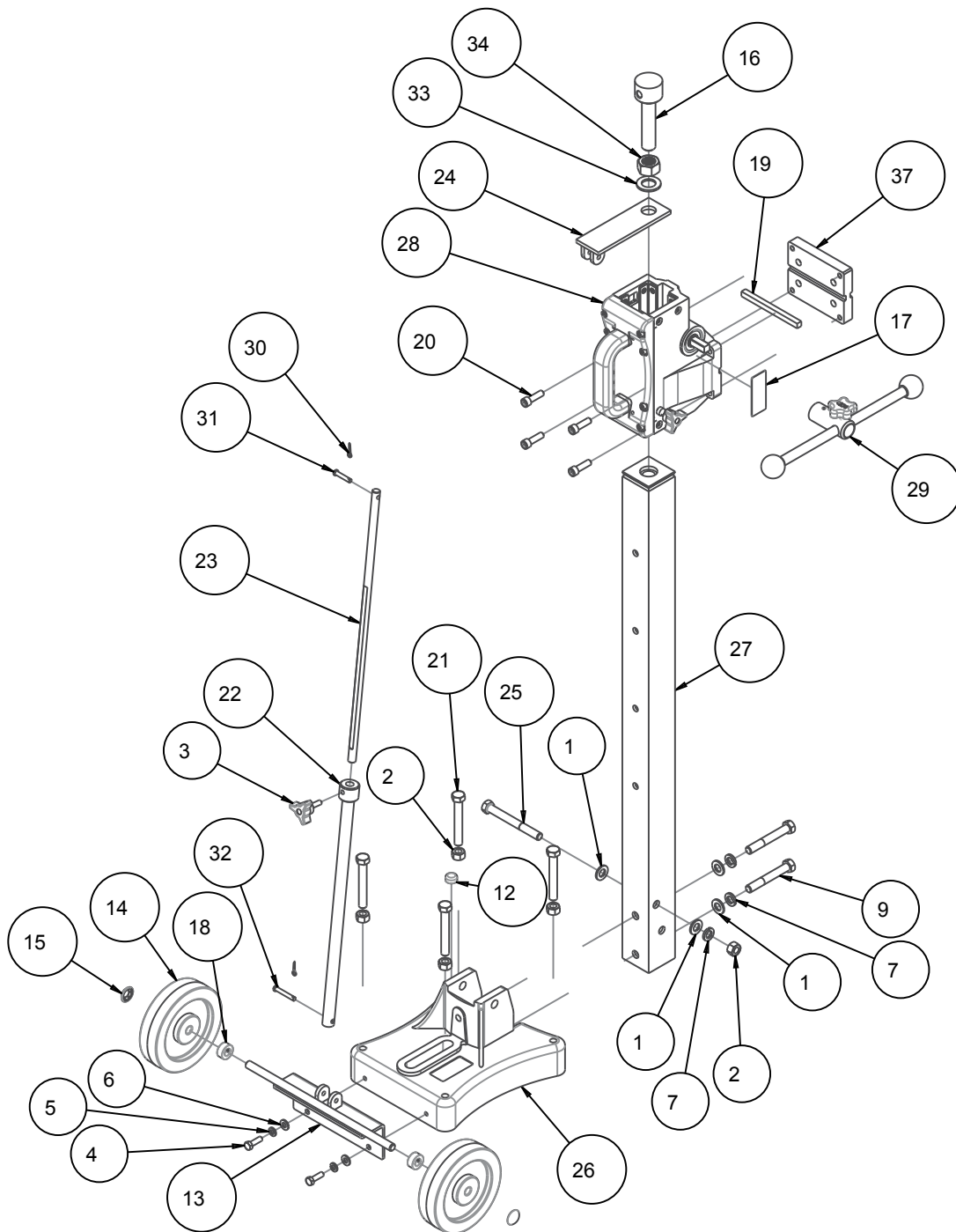
MANTA III CORE DRILL ASSY, DRILL STAND, FIXED, ANCHOR P/N 158424



MANTA III CORE DRILL ASSY, DRILL STAND, FIXED, ANCHOR P/N 158424

ITEM NO.	DESCRIPTION	PART #	QTY.
1	WASHER, 1/2 SAE FLAT	150924	2
2	NUT, 1/2-13 HEX	151282	4
3	SCREW, HEX HD, 5/16 -18 X 1	151743	2
4	WASHER, SPLIT LOCK, 5/16	151747	2
5	WASHER, FLAT, SAE, 5/16	151754	2
6	WASHER, 1/2 SPLIT LOCK	153524	2
7	LABEL, WARNING, READ MANUAL	154398	1
8	SCREW, 1/2-13 X 3-1/2 HEX HEAD CAP	154574	2
9	LABEL, INFORMATION ON SERVICE	155038	1
10	LABEL, NOTICE, MOTOR PROBLEMS	155672	1
11	LEVEL, CIRCULAR BUBBLE, 3/4 DIA	157429	1
12	BRACKET, WHEEL MANTA 3	157433	1
13	WHEEL, ROLLER	157434	2
14	CAP, PUSH 1/2" STAINLESS STEEL	157435	2
15	SCREW, JACK	157445	1
16	TAG, SERIAL NUMBER, BLANK	157500-RW	1
17	COLLAR, MANTA 3, 1/2 X 1 X 7/16	157518	2
18	KEY, 3/8" SQR X 5"	157520	1
19	SCREW, SOC HD, CAP, 3/8-16 X 1-1/4	157529	4
20	SCREW, HEX HD, TAP, 1/2-13 X 3-1/2	158284	4
21	BASE, ANCHOR, MANTA 3 COMP	158410	1
22	ASSY, COLUMN W/MK GEAR RACK	158425-2	1
23	ASSY, CARRIAGE	158425-3	1
24	ASSY, HUB & SPOKE	158425-6	1
25	LABEL, WARNING, SILICA, PROP 65	164202	1
26	LABEL, QR CODE	170480	1
27	MOUNT, MOTOR, MIL	172228	1

MANTA III CORE DRILL ASSY, DRILL STAND, TILT, ANCHOR P/N 158427

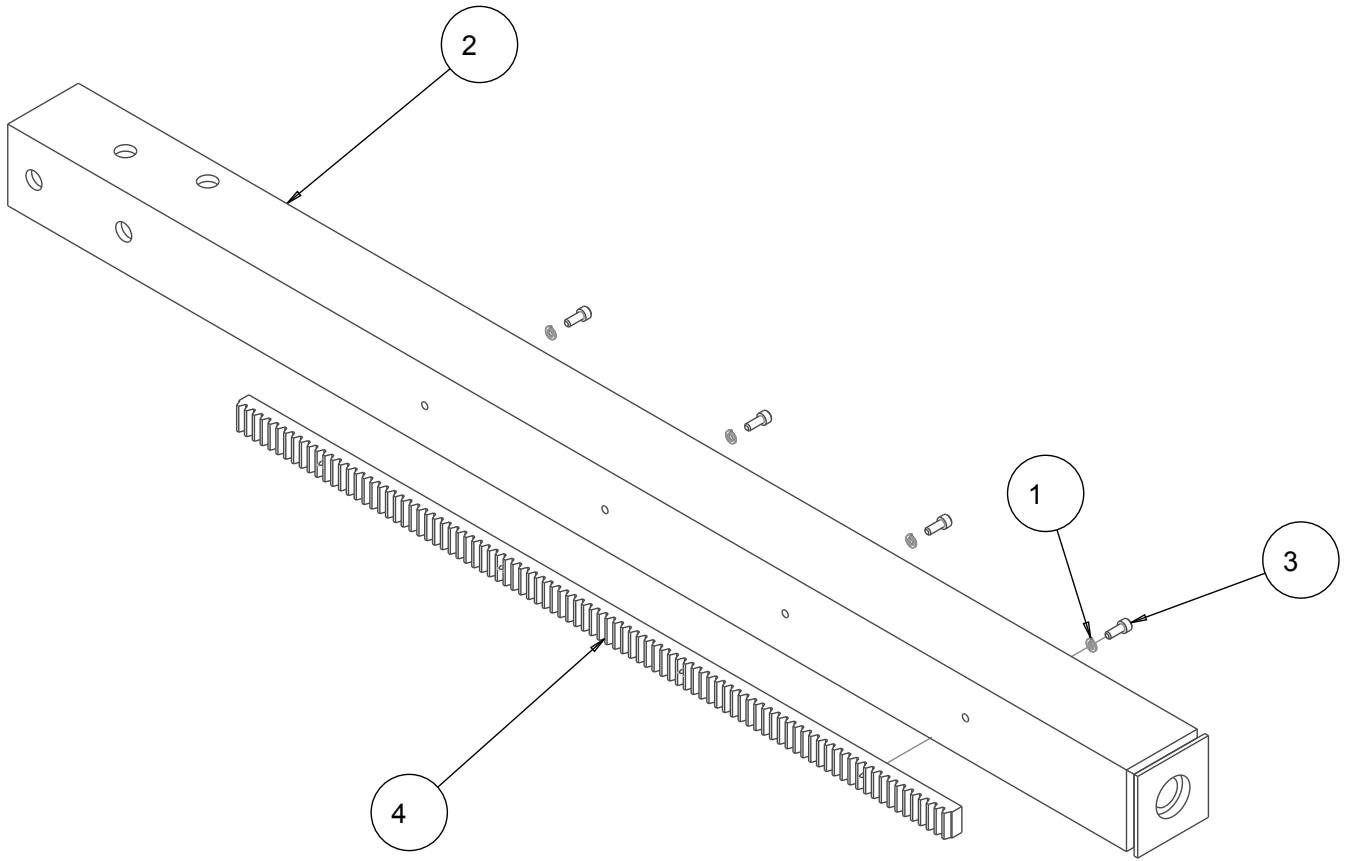


ITEM NO.	DESCRIPTION	PART #	QTY.
1	WASHER, 1/2 SAE FLAT	150924	4
2	NUT, 1/2-13 HEX	151282	5
3	KNOB, DAVIES, 5/16-18 X 1	151681	1
4	SCREW, HEX HD, 5/16 - 18 X 1	151743	2
5	WASHER, LOCK, SPLIT, 5/16	151747	2

MANTA III CORE DRILL ASSY, DRILL STAND, TILT, ANCHOR P/N 158427

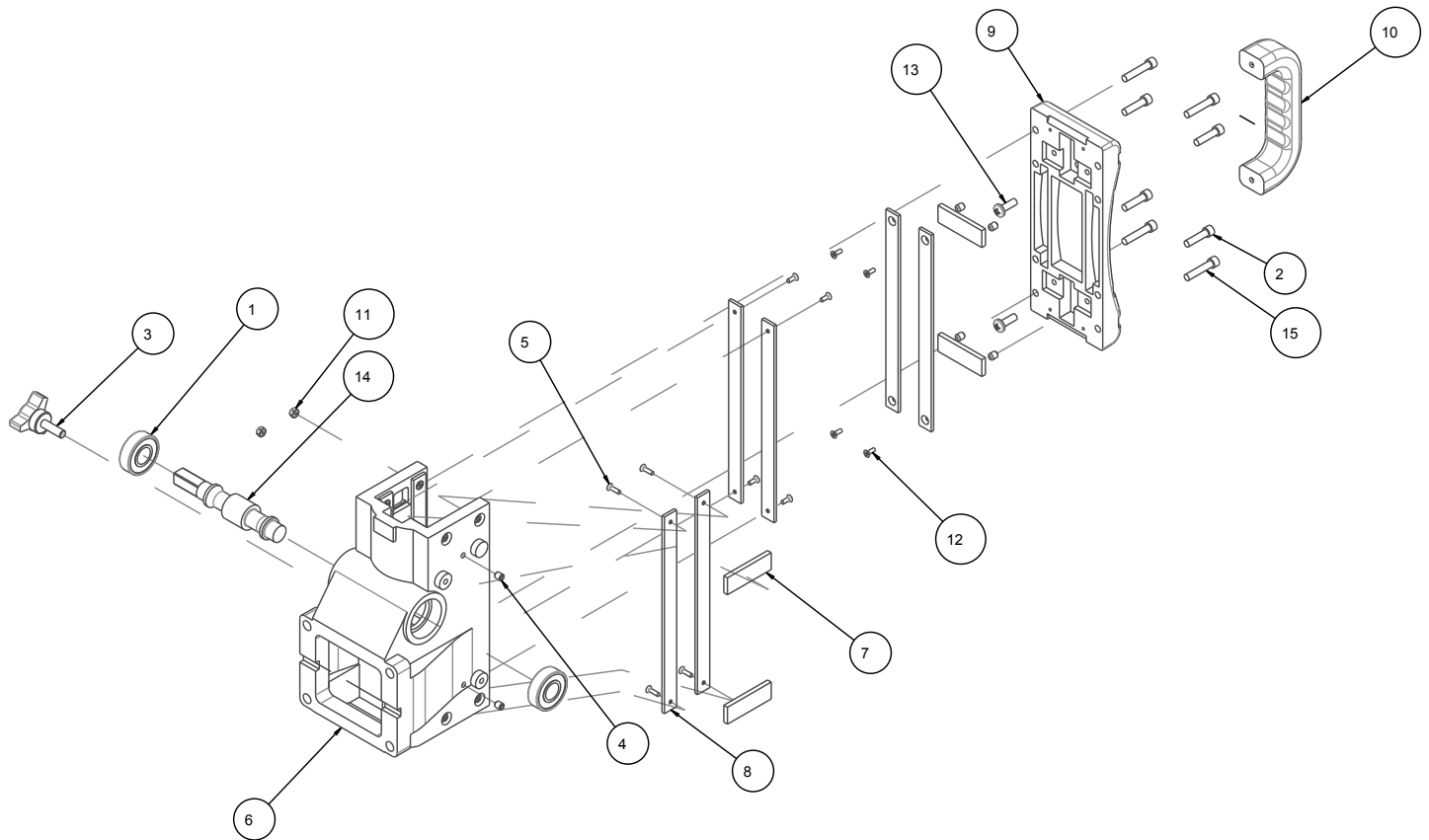
ITEM NO.	DESCRIPTION	PART #	QTY.
6	WASHER, FLAT, SAE, 5/16	151754	2
7	WASHER, 1/2 SPLIT LOCK	153524	3
8	LABEL, WARNING, READ MANUAL	154398	1
9	SCREW, 1/2-13 X 3-1/2 HEX HEAD CAP	154574	2
10	LABEL, INFORMATION ON SERVICE	155038	1
11	LABEL, NOTICE, MOTOR PROBLEMS	155672	1
12	LEVEL, CIRCULAR BUBBLE, 3/4 DIA	157429	1
13	BRACKET, WHEEL MANTA 3	157433	1
14	WHEEL, ROLLER	157434	2
15	CAP, PUSH 1/2" STAINLESS STEEL	157435	2
16	SCREW, JACK	157445	1
17	TAG, SERIAL NUMBER, BLANK	157500-RW	1
18	COLLAR, MANTA 3, 1/2 X 1 X 7/16	157518	2
19	KEY, 3/8" SQR X 5"	157520	1
20	SCREW, SOC HD, CAP, 3/8-16 X 1-1/4	157529	4
21	SCREW, HEX HD, TAP, 1/2-13 X 3-1/2	158284	4
22	TUBE, TELESCOPING BRACE, MNT	158340	1
23	ROD, TELESCOPING SUPPORT	158341	1
24	BRACKET, TELESCOPING ROD SUPRT	158342	1
25	SCREW, HEX HD, CAP, 1/2-13 X 4-1/2	158397	1
26	BASE, ANCHOR, MANTA 3 COMP	158410	1
27	ASSY, COLUMN W/MK GEAR RACK	158425-2	1
28	ASSY, CARRIAGE	158425-3	1
29	ASSY, HUB & SPOKE	158425-6	1
30	PIN, COTTER, 1/6 X 5/8	158451	2
31	PIN, CLEVIS, 1/4 X 1-1/4	158452	1
32	PIN, CLEVIS, 1/4 X 1-5/8	158453	1
33	WASHER, FLAT, M22	158454	1
34	NUT, HEX M22-2.5	158455	1
35	LABEL, WARNING, SILICA, PROP 65	164202	1
36	LABEL, QR CODE	170480	1
37	MOUNT, MOTOR, MIL	172228	1

ASSY. COLUMN W/MK GEAR RACK P/N 158425-2



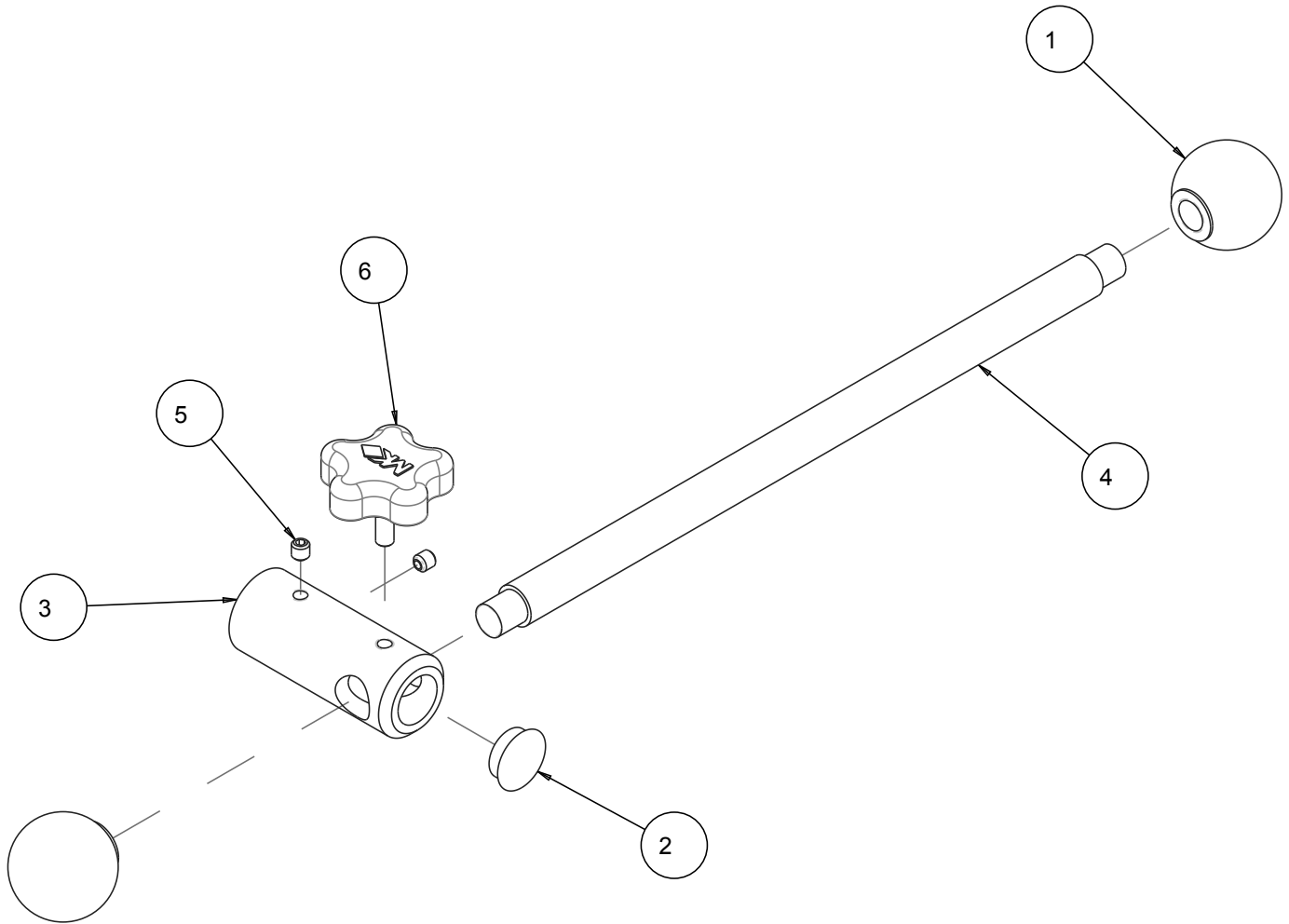
ITEM NO.	DESCRIPTION	PART #	QTY.
1	WASHER, #10 SPLIT LOCK	153684	4
2	COLUMN, MANTA	157444	1
3	SCREW, 10-32 X 1/2 SOCKET HEAD SET	157525	4
4	GEAR RACK 1/2 X 3/4 X 24"	158782	1

ASSY. CARRIAGE P/N 158425-3



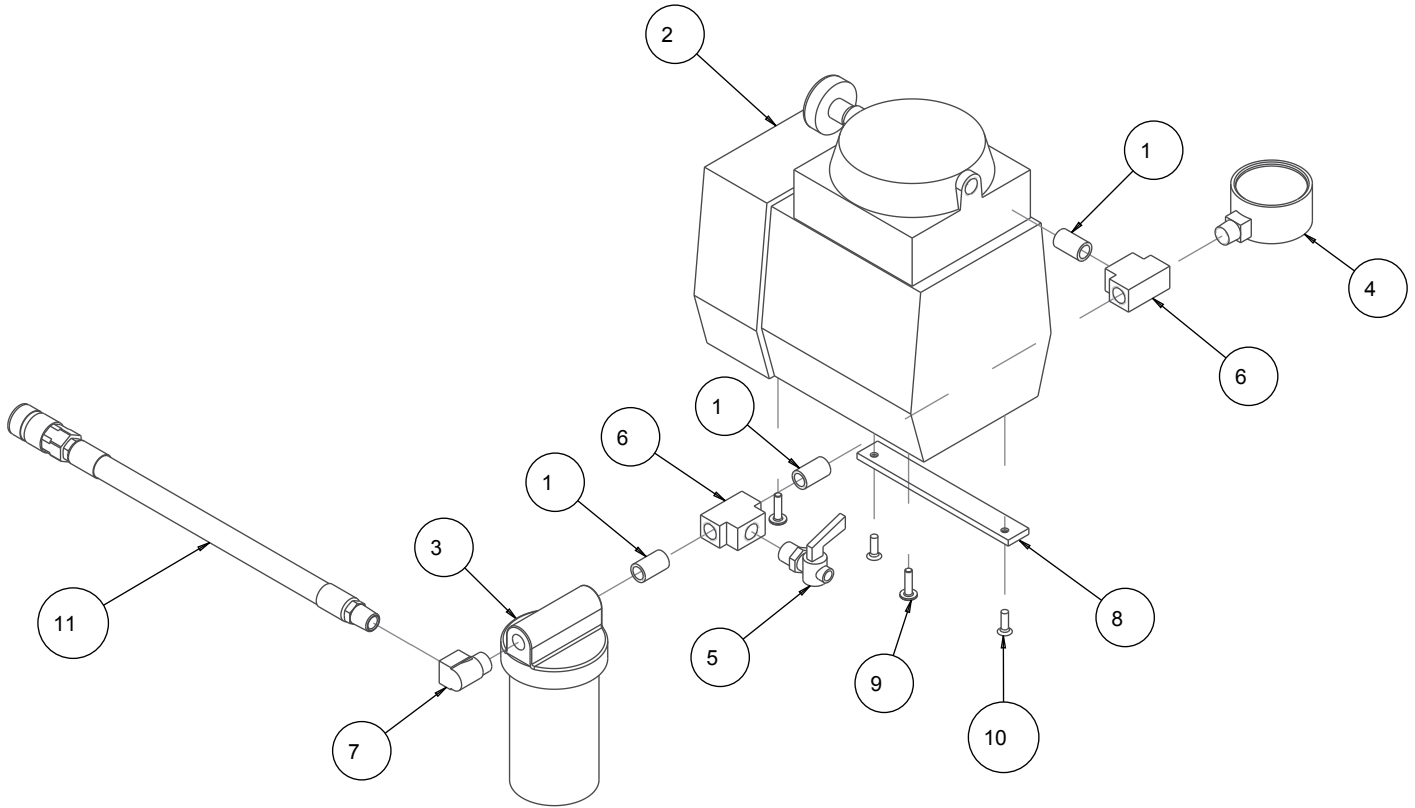
ITEM NO.	DESCRIPTION	PART #	QTY.
1	BEARING, BALL, 17 X 40 X 12MM	137711	2
2	SCREW, SOC HD CAP, 1/4-20 X 1	151049	4
3	KNOB, DAVIES, 5/16-18 X 1	151681	1
4	SCREW, SET, CPU PT. 1/4-20 X 5/16	154226	6
5	SCREW, FLAT HD, #6-32 X 1/2	154448	8
6	BODY, CARRIAGE, COMP	155757	1
7	PLATE, ADJUSTMENT	157317	6
8	SLIDE, CARRIAGE	157318	8
9	BACK, CARRIAGE (COMP)	157438	1
10	HANDLE, CARRIAGE (COMP)	157440	1
11	NUT, HEX NYLOK 6-32	157519	8
12	SCREW, FLAT HD, #6-32 X 3/8	157521	8
13	SCREW, PAN HD, 1/4-20 X 3/4	157523	2
14	SHAFT, GEAR, SHORT	158348	1
15	SCREW, SOC HD CAP, 1/4 -20 X 1-1/4	159336	4

ASSY. HUB & SPOKE P/N 158425-6



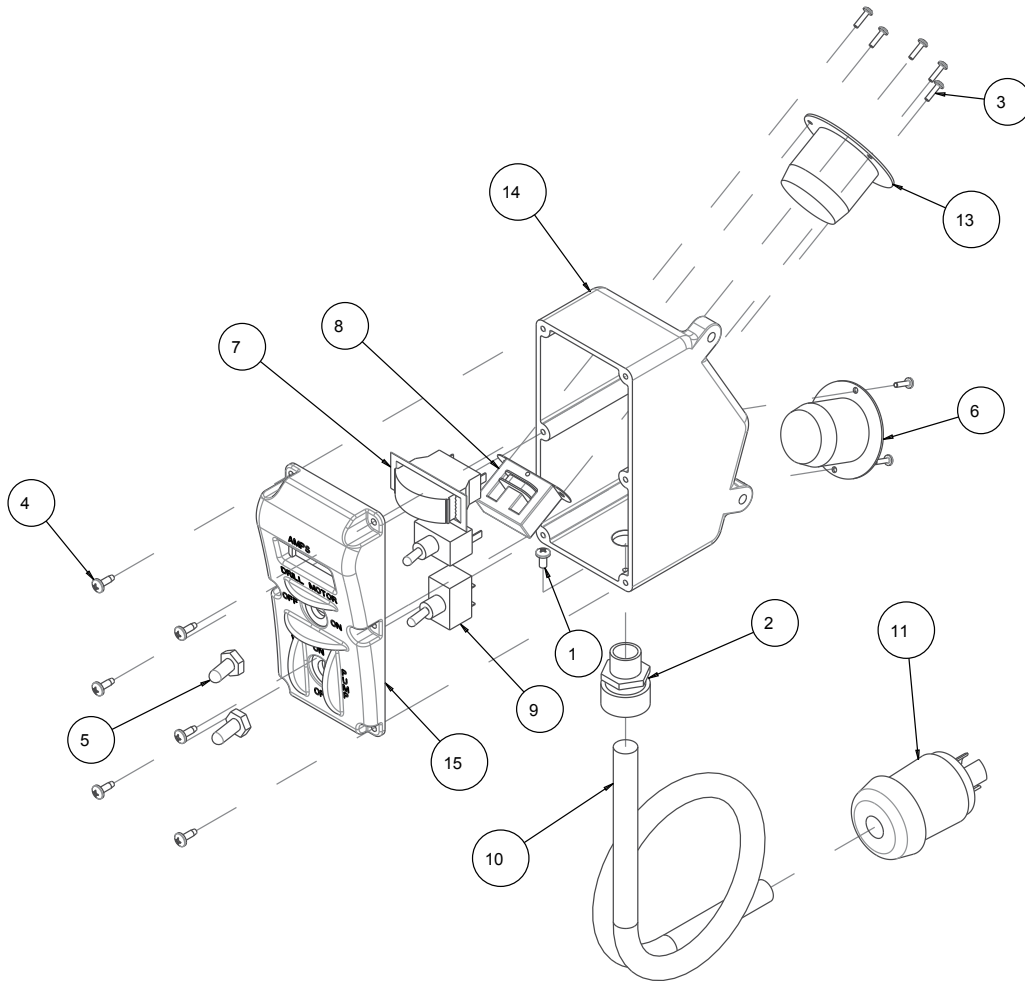
ITEM NO.	DESCRIPTION	PART #	QTY.
1	KNOB, 1/2-20 FEM BALL	154486	2
2	PLUG, HOLE PLASTIC 3/4"	156615	1
3	HUB, SLIP HANDLE	157321	1
4	SPOKE, SLIP HANDLE	157322	1
5	SCREW, SET, 1/4-20 X 1/4	157528	2
6	KNOB, RUBBER, 1/4-20 X 3/4" LONG	159428-1	1

ASSY. VACUUM PUMP 110V P/N 158530



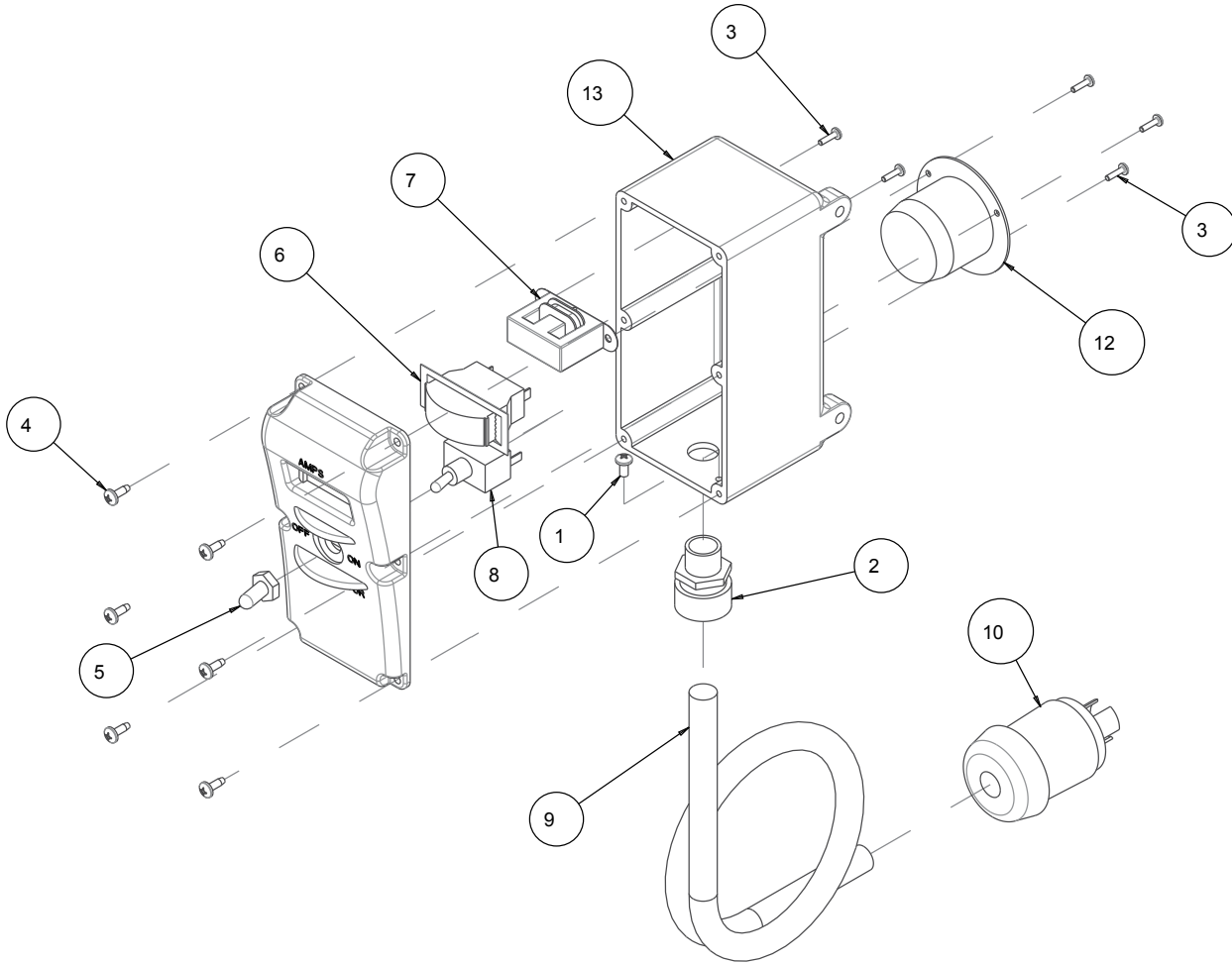
ITEM NO.	DESCRIPTION	PART #	QTY.
1	NIPPLER, 1/4 NPT X CLOSE GALV	152598	3
2	PUMP, VACUUM MANTA CORE DRILL	154475	1
3	FILTER, WATER	154476	1
4	GAUGE, VACUUM	154477	1
5	VALVE, PETCOCK 1/4" MIP	154488	1
6	FITTING, T 1/4 X 1/4 X 1/4 NPT	154497	2
7	ELBOW, 1/4MNPT STREET	154615	1
8	BRACKCET, PUMP HOLD DOWN	157446	1
9	SCREW, TRUSS 10-32 X 3/4	157526	2
10	SCREW, FLAT HD 10-32 X 5/8"	157554	2
11	ASSY, VACUUM HOSE	157707	1

ASSY. CONTROL BOX, DUAL SWITCH 120V P/N 158428










ITEM NO.	DESCRIPTION	PART #	QTY.
1	SCREW, PAN HD, #10-24 X 3/8	151097	1
2	CONNECTOR, CORD 1/2"	151307	1
3	SCREW, #6-32 X 1/2 PAN HEAD SELF TAPPING	153459	7
4	SCREW, PHILP SELF TAP 10-24 X 5/8"	153681	6
5	COVER, SWITCH	154301	2
6	RECEPTACLE, FLANGED 15A 125V	154473	1
7	AMMETER, MANTA CORE DRILL 110V	154489	1
8	TRANSFORMER, 120V AC	154490	1
9	SWITCH, TOGGLE 30 AMP	154491	2
10	CORD, ELEC, 12/3 SOOW, YELLOW, 18"	154494	1
11	PLUG, 120V, L5-20P	154556	1
12	HARNES, WIRE, DUAL SWITCH	154715	1
13	RECEPTACLE, FLANGED TWIST-LOCK	157375	1
14	AMP BOX, SINGLE (COMP)	158274	1
15	COVER, CONTROL BOX (COMP)	158276	1

ASSY. CONTROL BOX, SINGLE SWITCH 120V P/N 158430



ITEM NO.	DESCRIPTION	PART #	QTY.
1	SCREW, PAN HD, #10-24 X 3/8	151097	1
2	CONNECTOR, CORD 1/2"	151307	1
3	SCREW, #6-32 X 1/2 PAN HEAD SELF TAPPING	153459	5
4	SCREW, PHILP SELF TAP 10-24 X 5/8"	153681	6
5	COVER, SWITCH	154301	1
6	AMMETER, MANTA CORE DRILL 110V	154489	1
7	TRANSFORMER, 120V AC	154490	1
8	SWITCH, TOGGLE 30 AMP	154491	1
9	CORD, ELEC, 12/3 SOOW, YELLOW, 18"	154494	1
10	PLUG, 120V, L5-20P	154556	1
11	HARNES, WIRE, SINGLE SWITCH	154715-1	1
12	RECEPTACLE, FLANGED TWIST-LOCK	157375	1
13	CON. BOX, SINGLE (COMP)	158385	1
14	COVER, CON. BOX SINGLE COMP	158387	1

ACCESSORIES

ITEM	NUMBER	DESCRIPTION	
1	www.MKDiamond.com	<p>Core Bits MK-Black- <i>Supreme Grade for Concrete & Asphalt</i> Excellent performance in applications associated with moderate to high steel reinforcement. <i>Available Diameters 1/2" - 16"</i></p>	
2	www.MKDiamond.com	<p>Core Bits MK-Orange- <i>Premium Grade for Concrete & Asphalt</i> MK-Orange is a premium bit designed for wet drilling applications that include light to moderate steel reinforcement. <i>Available Diameters 1" - 16"</i></p>	
3	www.MKDiamond.com	<p>Core Bits MK-Yellow- <i>Standard Grade for Concrete & Asphalt</i> MK-Yellow is an excellent choice for all types of general wet drilling. <i>Available Diameters 1" - 14"</i></p>	
4	www.MKDiamond.com	<p>Core Bits MK-Blue Turbo - <i>Professional Grade for Concrete with Steel</i> MK-Blue is an excellent choice for all types of general wet drilling. <i>Available Diameters 2" - 6"</i></p>	
5	www.MKDiamond.com	<p>Core Bits MK-Black Turbo - <i>Supreme Grade for Concrete & Asphalt</i> MK-Black is an excellent choice for all types of general wet drilling. <i>Available Diameters 2" - 6"</i></p>	
4	www.MKDiamond.com	<p>Core Bit Extensions Multiple tube extensions may be used extending the drilling depth in increments of 12". <i>Available Diameters 1 - 1/4" to 6 /14"</i> <i>For Use with MK-Turbo Bits Only and must be order together</i></p>	
5	304149 304150	<p>Shaft Extensions easily attach to the core bit and allow for a deeper drilling capacity. 12" Length 5/8" - 11 Male / 5/8" 11 Female 1 - 1/4" - 7 Male / 1 - 1/4" - 7 Female</p>	
6	159620	<p>Motor Spacer kit for Manta III core drill rigs with Milwaukee motors. Allows rigs to use 16" bits.</p>	