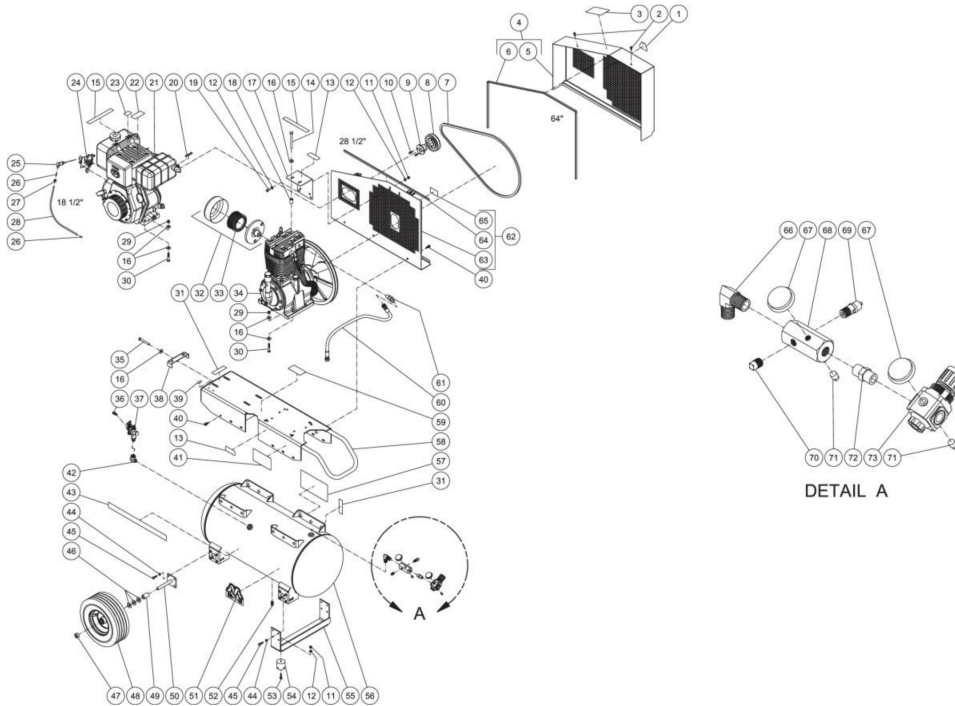




AM2-PY09-30M / AM2-PY09-30M (sn:0-99999999)

## TANK ASSEMBLY



Id	Item #	Description	Quantity
1	N/A	DECAL - MI-T-M	1
2	33-0197	FASTENER	2
3	N/A	DECAL - OPERATING INSTRUCTIONS (SEE 71-0086)	1
4	854-0088	BELTGUARD FRONT ASSEMBLY (INC. 5-6)	1
5	N/A	BELTGUARD FRONT (SEE 854-0088)	1
6	33-0020	EDGING *(SIX FEET REQUIRED)	1
7	11-0076	BELT	1
8	10-0140	SHEAVE	1
9	9-0005	BUSHING	1
10	27-0015	BOLT	2
11	30-0157	LOCKNUT	4
12	28-0003	WASHER	6
13	N/A	DECAL - RISK OF BURNS (SEE 71-0086)	2
14	27-8071	BOLT	2

<b>Id</b>	<b>Item #</b>	<b>Description</b>	<b>Quantity</b>
15	N/A	DECAL - CHECK OIL	2
16	28-0023	WASHER	19
17	13-0189A01	BRACKET	1
18	33-0425	SPACER	2
19	27-0066	BOLT	2
20	43-0078	KEY	1
21	1-0084	ENGINE	1
22	N/A	DECAL - MUFFLER HOT (SEE 71-0086)	1
23	N/A	DECAL - ENGINE FUEL (SEE 71-0086)	1
24	854-0086	THROTTLE CONTROL ASSEMBLY	1
25	33-0436	AIR THROTTLE CONTROL	1
26	23-0486	TUBE SUPPORT	2
27	23-0315	NUT	1
28	15-0238	HOSE *(TWO FEET REQUIRED)	1
29	30-0159	LOCKNUT	8
30	27-0121	BOLT	8
31	N/A	DECAL - TANK DRAIN (SEE 71-0086)	2
32	19-0237	FILTER CANISTER	1
33	19-0226	AIR FILTER	1
34	3-0298	PUMP	1
35	27-0576	BOLT	1
36	23-0328	ADAPTER	1
37	22-0270	PILOT VALVE	1
38	20-0823A01	BRACKET	1
39	N/A	DECAL - STOP (SEE 71-0086)	1
40	27-9524	BOLT	15
41	N/A	DECAL - MAINTENANCE INSTRUCTIONS (SEE 71-0086)	1
42	24-0041	ELBOW	1
43	N/A	DECAL - MI-T-M STRIPE	1
44	29-0007	LOCKWASHER	16
45	27-0067	BOLT	16
46	28-0008	WASHER	6
47	33-0351	COLLAR	2
48	14-0006	WHEEL	2
49	62-0176	SPACER	2
50	20-0670A01	AXLE	2
51	34-2169	DECAL - MI-T-M	1
52	23-0312	PETCOCK	1
53	27-0068	BOLT	2

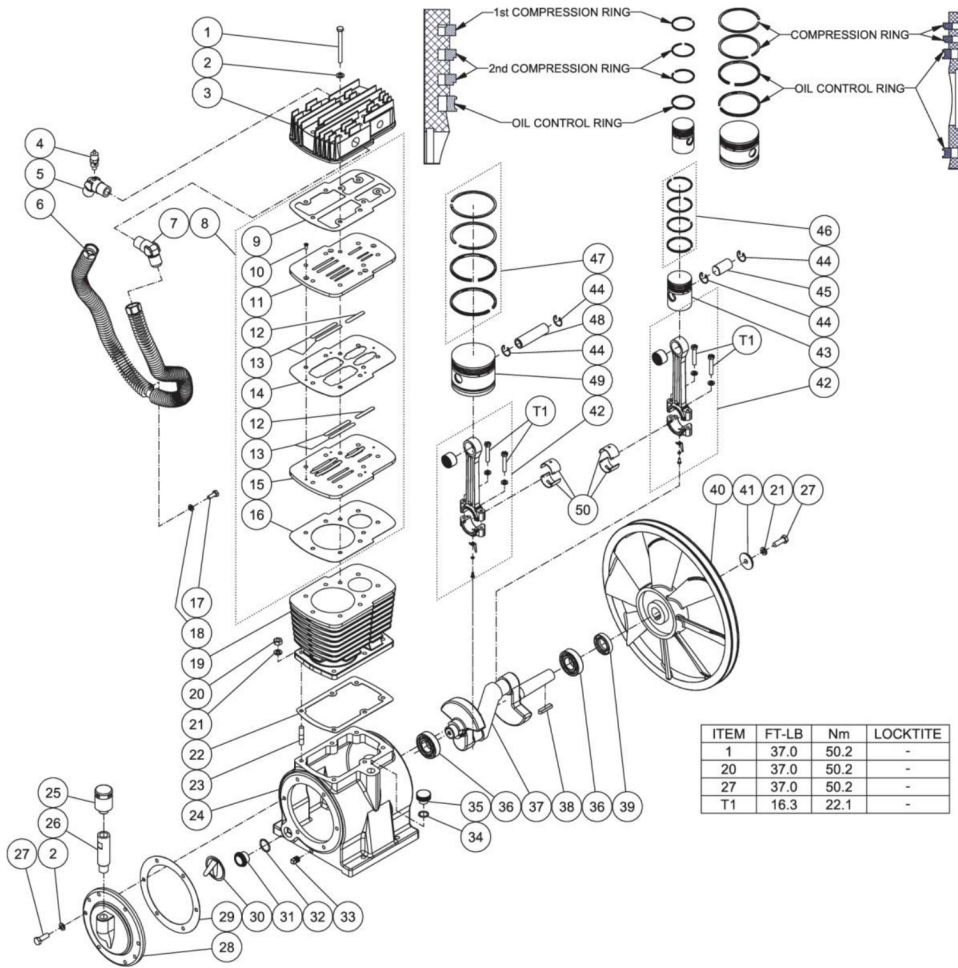
<b>Id</b>	<b>Item #</b>	<b>Description</b>	<b>Quantity</b>
54	14-0008	ISOLATOR	2
55	20-0671A01	SUPPORT FOOT BRACKET	1
56	12-0193A01	TANK	1
57	N/A	DECAL - CAUTION/WARNING/DANGER (SEE 71-0086)	1
58	5-0225A01	BASEPLATE	1
59	N/A	DECAL- SILVER STICKER	1
60	15-0243	HOSE	1
61	24-0074	90° ELBOW FITTING	1
62	854-0087	BELTGUARD BACK ASSEMBLY (INC. 63-65)	1
63	6-0108A01	BELTGUARD BACK (SEE 854-0087)	1
64	33-0020	EDGING *(THREE FEET REQUIRED)	1
65	34-0575	DECAL - BELTGUARD IN PLACE (SEE 71-0086)	1
66	24-0267	ELBOW	1
67	22-0271	PRESSURE GAUGE	2
68	24-0266	MANIFOLD	1
69	22-0267	PRESSURE RELIEF VALVE	1
70	24-0009	PLUG	1
71	24-0082	PLUG	2
72	24-0010	NIPPLE	1
73	22-0231	REGULATOR	1
	71-0086	DECAL SET - COMP. GAS	1
	41-0449	HANG TAG - MI-T-M AIR COMP.	1

\*MUST ORDER IN ONE FOOT LENGTHS



AM2-PY09-30M / AM2-PY09-30M (sn:0-99999999)

## PUMP ASSEMBLY



Id	Item #	Description	Quantity
1	27-8043	BOLT	9
2	28-1059	COPPER WASHER	15
3	46-1272	CYLINDER HEAD	1
4	22-0362	LP SAFETY VALVE	1
5	24-0304	65° OUTLET ELBOW W/PORT	1
6	46-1273	INTERCOOLER TUBE	1
7	24-0305	65° OUTLET ELBOW	1
8	70-0473	KIT - VALVE PLATE ASSY - (INC. 9-16)	1
9	N/A	GASKET - VALVE PLATE (UPPER)	1
10	N/A	SCREW	4

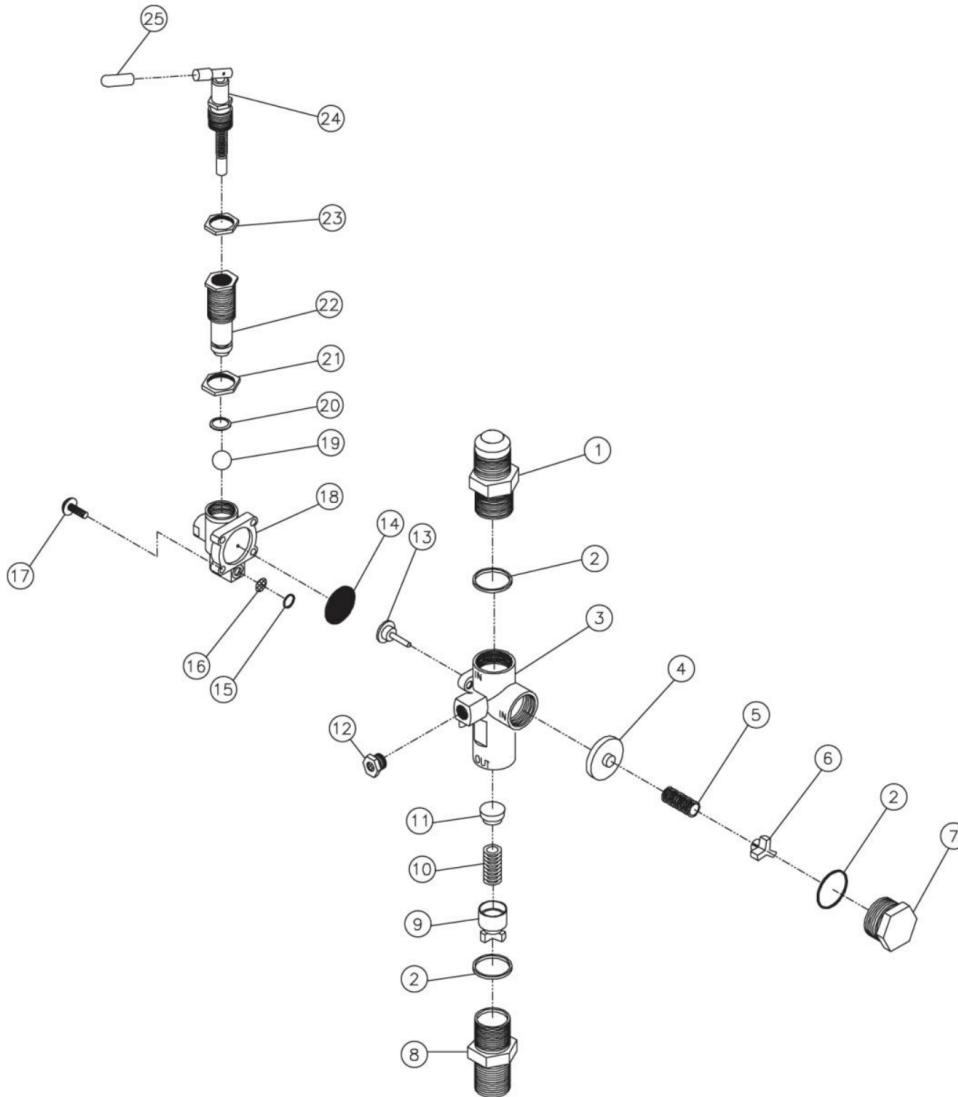
<b>Id</b>	<b>Item #</b>	<b>Description</b>	<b>Quantity</b>
11	N/A	UPPER VALVE SEAT	1
12	N/A	HP VALVE REED	2
13	N/A	LP VALVE REED	4
14	N/A	GASKET - VALVE PLATE (MIDDLE)	1
15	N/A	LOWER VALVE SEAT	1
16	N/A	GASKET - VALVE PLATE (LOWER)	1
17	27-8032	BOLT	1
18	29-0054	LOCKWASHER	1
19	46-1274	CYLINDER	1
20	30-7203	NUT	6
21	29-0055	LOCKWASHER	7
22	N/A	GASKET - CYLINDER	1
23	27-8991	STUD	6
24	46-1275	PUMP CRANKCASE	1
25	46-1276	BREATHER ASSY	1
26	46-1277	BREATHER PIPE	1
27	27-8061	BOLT	7
28	46-1278	REAR CRANKCASE COVER	1
29	N/A	GASKET - REAR CRANKCASE COVER	1
30	46-1279	OBSTRUCT OIL NET	1
31	46-1280	OIL LEVEL SIGHT GLASS	1
32	25-0150	O-RING	1
33	24-0009	PLUG	1
34	25-0160	O-RING	1
35	46-1281	OIL FILL CAP	1
36	48-0024	BALL BEARING	2
37	46-1282	PUMP CRANKSHAFT	1
38	43-0125	KEY	1
39	26-0302	OIL SEAL	1
40	10-0139	FLYWHEEL	1
41	N/A	WASHER	1
42	70-0468	KIT - HP CONNECTING ROD ASSEMBLY (INC. 49)	2
43	46-1283	PISTON	1
44	46-1284	PISTON SNAP RING	4
45	46-1285	PISTON PIN	1
46	70-0469	KIT - HP PISTON RING	1
47	70-0470	KIT - LP PISTON RING	1
48	46-1286	PISTON PIN	1
49	46-1287	PISTON	1

<b>Id</b>	<b>Item #</b>	<b>Description</b>	<b>Quantity</b>
50	46-1288	CONNECTING ROD BUSHING	4
	70-0472	KIT - PUMP GASKET - (INC. 9, 14, 16, 22, 29)	1



AM2-PY09-30M / AM2-PY09-30M (sn:0-99999999)

## PILOT VALVE



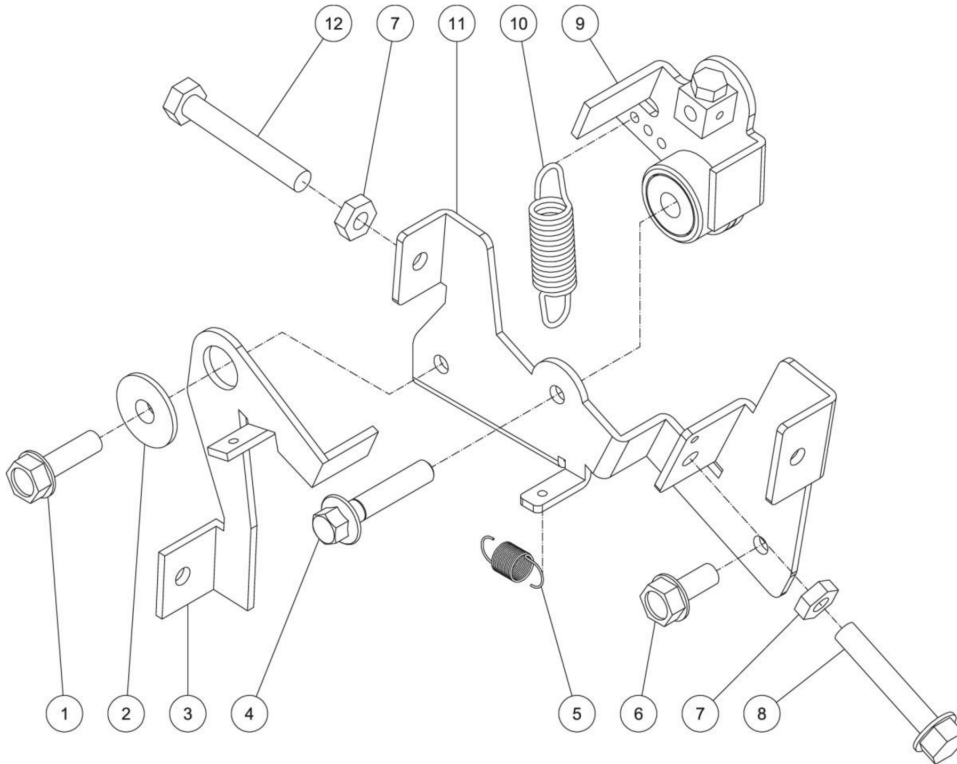
Id	Item #	Description	Quantity
1	N/A	INLET PORT FITTING	1
2	N/A Sep.	O-RING (SEE 70-0241)	3
3	N/A	MAIN BODY	1
4	N/A Sep.	PISTON ASSEMBLY-UNLOADER VALVE (SEE 70-0241)	1
5	N/A Sep.	SPRING-UNLOADER VALVE (SEE 70-0241)	1
6	N/A	SPRING SEAT-UNLOADER VALVE	1
7	N/A	CAP	1

<b>Id</b>	<b>Item #</b>	<b>Description</b>	<b>Quantity</b>
8	N/A	DISCHARGE PORT FITTING	1
9	N/A	SPRING SEAT ASSEMBLY-CHECK VALVE	1
10	N/A Sep.	SPRING-CHECK VALVE (SEE 70-0241)	1
11	N/A Sep.	PISTON-CHECK VALVE (SEE 70-0241)	1
12	23-0419	MUFFLER	1
13	N/A Sep.	STEM UNLOADER (SEE 70-0241)	1
14	N/A Sep.	DIAPHRAM (SEE 70-0241)	1
15	N/A Sep.	O-RING (SEE 70-0241)	1
16	N/A Sep.	SCREEN (SEE 70-0241)	1
17	N/A	SCREW W/WASHER	4
18	N/A	PILOT BODY	1
19	N/A Sep.	BALL (SEE 70-0241)	1
20	N/A Sep.	O-RING (SEE 70-0241)	1
21	N/A	DIFFERENTIAL ADJUSTING LOCKNUT	1
22	N/A	DIFFERENTIAL ADJUSTING NUT	1
23	N/A	PRESSURE ADJUSTING LOCKNUT	1
24	N/A Sep.	PRESSURE ADJUSTING TOGGLE ASSEMBLY (SEE 70-0241)	1
25	N/A	RED TOGGLE COVER	1
KIT	70-0241	REPAIR KIT (INC. 2 EACH 4-5, 10-11, 13-16, 19-20, 24; INC. 3 EACH 2)	



AM2-PY09-30M / AM2-PY09-30M (sn:0-99999999)

## THROTTLE CONTROL



Id	Item #	Description	Quantity
1	27-9527	BOLT	1
2	45-0127	BUSHING	1
3	45-0125	STOP LEVER	1
4	27-8898	BOLT	1
5	N/A	SPRING	1
6	27-8001	BOLT	1
7	30-0057	NUT	2
8	27-8902	SCREW	1
9	45-0126	REGULATOR LEVER	1
10	N/A	SPRING	1
11	45-0124	BRACKET	1
12	27-5027	BOLT	1

