

PARTS MANUAL



WHISPERWATT™ SERIES
MODEL DCA125SSJU4i
60Hz GENERATOR
(JOHN DEERE 4045HFG93 DIESEL ENGINE)

PARTS LIST NO. M3871300104

Revision #1 (07/27/21)



THIS MANUAL MUST ACCOMPANY THE EQUIPMENT AT ALL TIMES.

DCA125SSJU4i 60 Hz Generator

Table Of Contents.....	2
Explanation Of Code In Remarks Column.....	4
Suggested Spare Parts	5

Component Drawings

Generator Assembly	6–7
Control Box Assembly	8–11
Engine And Radiator Assembly.....	12–15
Output Terminal Assembly.....	16–17
Battery Assembly.....	18–19
Muffler Assembly	20–21
Fuel Tank Assembly.....	22–23
Enclosure Assembly	24–27
Rubber Seals Assembly	28–29
Nameplate And Decals Assembly	30–33

NOTICE

Specifications and part numbers are subject to change without notice.

EXPLANATION OF CODE IN REMARKS COLUMN

The following section explains the different symbols and remarks used in the Parts section of this manual. Use the help numbers found on the back page of the manual if there are any questions.

NOTICE

The contents and part numbers listed in the parts section are subject to change **without notice**. Multiquip does not guarantee the availability of the parts listed.

SAMPLE PARTS LIST

NO.	PART NO.	PART NAME	QTY.	REMARKS
1	12345	BOLT	1	INCLUDES ITEMS W/%
2%		WASHER, 1/4 IN.		NOT SOLD SEPARATELY
2%	12347	WASHER, 3/8 IN. ...	1	MQ-45T ONLY
3	12348	HOSE	A/R	MAKE LOCALLY
4	12349	BEARING	1	S/N 2345B AND ABOVE

NO. Column

Unique Symbols — All items with same unique symbol (@, #, +, %, or >) in the number column belong to the same assembly or kit, which is indicated by a note in the “Remarks” column.

Duplicate Item Numbers — Duplicate numbers indicate multiple part numbers, which are in effect for the same general item, such as different size saw blade guards in use or a part that has been updated on newer versions of the same machine.

NOTICE

When ordering a part that has more than one item number listed, check the remarks column for help in determining the proper part to order.

PART NO. Column

Numbers Used — Part numbers can be indicated by a number, a blank entry, or TBD.

TBD (To Be Determined) is generally used to show a part that has not been assigned a formal part number at the time of publication.

A blank entry generally indicates that the item is not sold separately or is not sold by Multiquip. Other entries will be clarified in the “Remarks” Column.

QTY. Column

Numbers Used — Item quantity can be indicated by a number, a blank entry, or A/R.

A/R (As Required) is generally used for hoses or other parts that are sold in bulk and cut to length.

A blank entry generally indicates that the item is not sold separately. Other entries will be clarified in the “Remarks” Column.

REMARKS Column

Some of the most common notes found in the “Remarks” Column are listed below. Other additional notes needed to describe the item can also be shown.

Assembly/Kit — All items on the parts list with the same unique symbol will be included when this item is purchased.

Indicated by:

“INCLUDES ITEMS W/(unique symbol)”

Serial Number Break — Used to list an effective serial number range where a particular part is used.

Indicated by:

“S/N XXXXX AND BELOW”

“S/N XXXX AND ABOVE”

“S/N XXXX TO S/N XXX”

Specific Model Number Use — Indicates that the part is used only with the specific model number or model number variant listed. It can also be used to show a part is NOT used on a specific model or model number variant.

Indicated by:

“XXXXX ONLY”

“NOT USED ON XXXX”

“Make/Obtain Locally” — Indicates that the part can be purchased at any hardware shop or made out of available items. Examples include battery cables, shims, and certain washers and nuts.

“Not Sold Separately” — Indicates that an item cannot be purchased as a separate item and is either part of an assembly/kit that can be purchased, or is not available for sale through Multiquip.

SUGGESTED SPARE PARTS

DCA125SSJU4i WHISPERWATT GENERATOR WITH JOHN DEERE 4045HFG93 DIESEL ENGINE

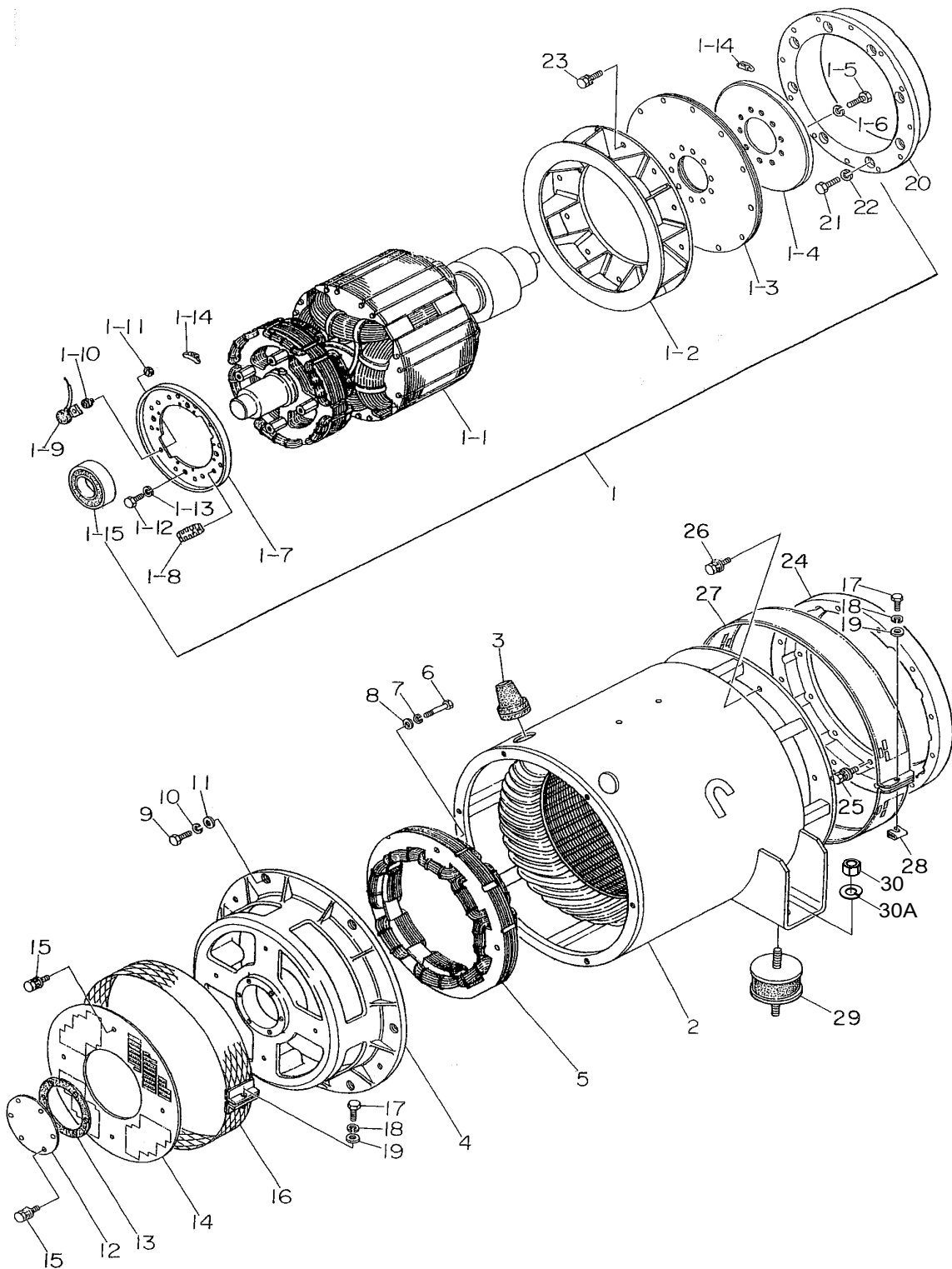
1 TO 3 UNITS

Qty.	P/N	Description
3	RE504836	CARTRIDGE, OIL FILTER
5	RE544394	CARTRIDGE, FUEL FILTER
5	RE541922	CARTRIDGE, FUEL PREFILTER
5	P828889	CARTRIDGE, BLOW-BY FILTER
3	.0602046684	ELEMENT, AIR FILTER PRIMARY INNER
3	P777639	ELEMENT, AIR FILTER SAFETY (OUTER)
1	R533594	BELT, FAN
1	M3311500003	RADIATOR HOSE, UPPER
1	M3311500103	RADIATOR HOSE, LOWER
1	M2311500203	INNER-COOLER HOSE, UPPER
1	M2311500303	INNER-COOLER HOSE, LOWER
1	.0601870440	CIRCUIT BREAKER, 1P, 20 AMP S/N 7501476 AND BELOW
1	.0601808803	CIRCUIT BREAKER, 1P, 20 AMP S/N 7501477 AND ABOVE
1	.0601870441	CIRCUIT BREAKER, 2P, 50 AMP S/N 7501476 AND BELOW
1	.0601808804	CIRCUIT BREAKER, 2P, 50 AMP S/N 7501477 AND ABOVE
1	Y0601806683	FUSE, 8 AMP
3	.0601806671	FUSE, 15 AMP
1	Y0601806607	FUSE, 40 AMP
1	Y0601820609	AUTOMATIC VOLTAGE REGULATOR
1	.0601810277	BULB, ALARM LAMP
1	LY2DUS12VDC	RELAY, W/DIODE

NOTICE

Part number on this Suggested Spare Parts list may supersede/replace the P/N shown in the text pages of this book.

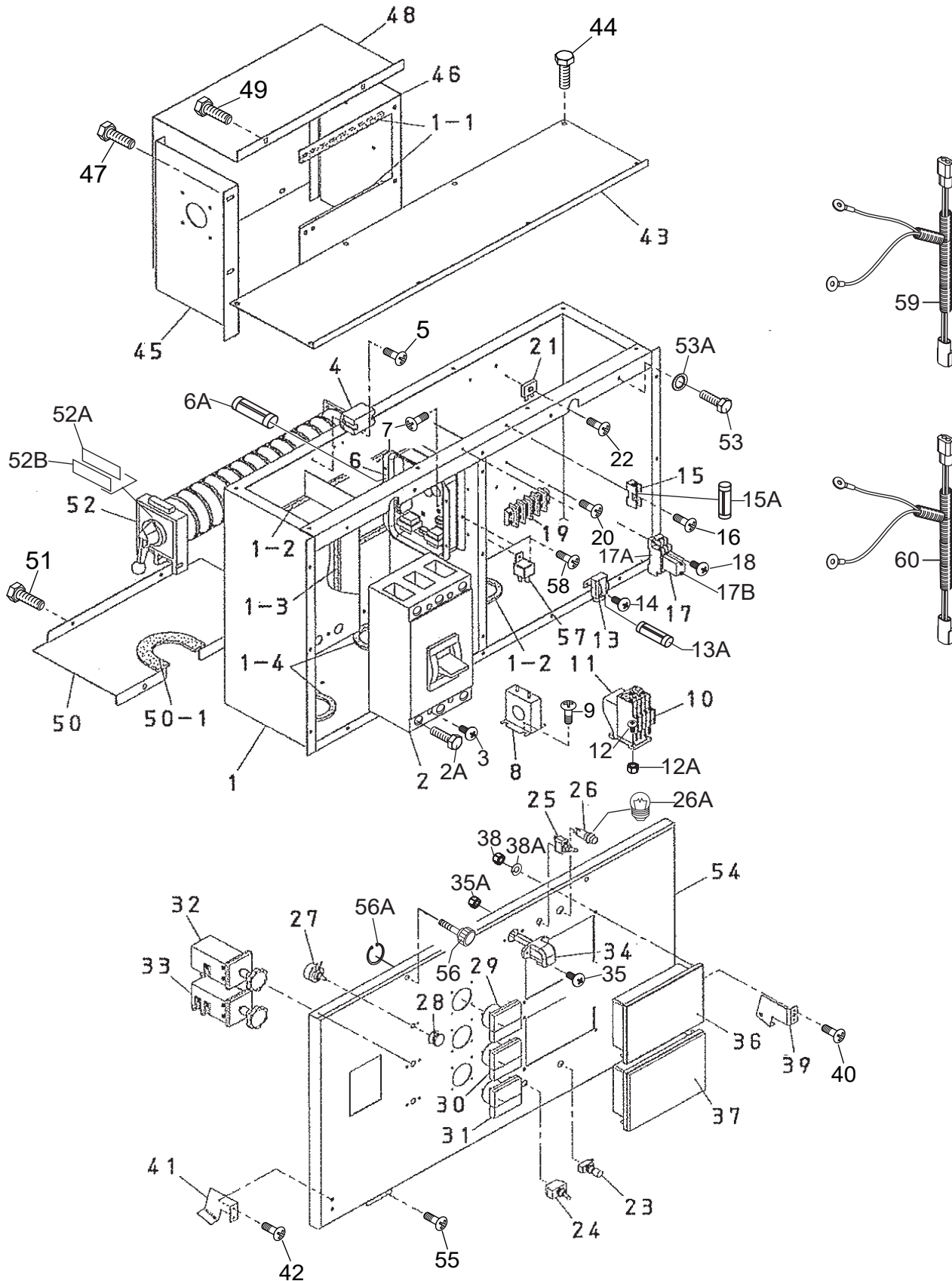
GENERATOR ASSY.



GENERATOR ASSY.

<u>NO.</u>	<u>PART NO.</u>	<u>PART NAME</u>	<u>QTY.</u>	<u>REMARKS</u>
1	C0110101202	ROTOR ASSY	1	INCLUDES ITEMS W/\$
1-1\$		FIELD ASSY	1	
1-2\$	8131070013	FAN	1	
1-3\$	8131611014	COUPLING DISK	8	
1-4\$	8131015003	BALANCING PLATE	1	PURCHASE ITEM 1-14 AS A SET
1-5\$	0012112035	HEX. HEAD BOLT	10	
1-6\$	0042612000	WASHER, LOCK	10	
1-7\$	8101026013	SET PLATE, RECTIFIER	1	PURCHASE ITEM 1-14 AS A SET
1-8\$	0601821349	RECTIFIER	2	
1-9\$	0601822601	SURGE ABSORBER	1	
1-10\$	8001020004	INSULATOR WASHER	1	
1-11\$	8001020504	INSULATOR WASHER	1	
1-12\$	012210020	HEX. HEAD BOLT	4	REPLACES P/N 0010110020
1-13\$	0040010000	WASHER, LOCK	4	
1-14\$	0601000209	BALANCING WEIGHT KIT	1	
1-15\$	0071906312	BEARING	1	
2	C0130000503	STARTOR ASSY	1	
3	0845041804	GROMMET	2	
4	8131315202	END BRACKET	1	
5	8101350013	FIELD ASSY., EXCITER	1	
6	0012110060	HEX. HEAD BOLT	4	
7	0042610000	WASHER, LOCK	4	
8	031110160	WASHER, FLAT	4	REPLACES P/N 0041210000
9	0010112035	HEX. HEAD BOLT	6	
10	0040012000	WASHER, LOCK	6	
11	031112230	WASHER, FLAT	6	REPLACES P/N 0041212000
12	8131310104	COVER, BEARING	1	
13	8131312204	GASKET, BEARING	1	
14	8131331003	COVER, END BRACKET	1	
15	0105050616	HEX. HEAD BOLT	10	REPLACES P/N 0017106012
16	8101333003	COVER, END BRACKET	1	
17	0010006030	HEX. HEAD BOLT	2	REPLACES P/N 0010106030
18	0040006000	WASHER, LOCK	2	
19	952404470	WASHER, FLAT	2	REPLACES P/N 0041206000
20	M3163400503	COUPLING RING	1	
21	Y0343204320	HEX. HEAD BOLT	8	
22	030210250	WASHER, LOCK	8	REPLACES P/N 0042510000
23	012010030	HEX. HEAD BOLT	12	REPLACES P/N 0012810030
24	M3164600003	COUPLING ADAPTER	1	
25	012010030	HEX. HEAD BOLT	12	REPLACES P/N 0012810030
26	012010030	HEX. HEAD BOLT	12	REPLACES P/N 0012810030
27	8131332014	COVER, FAN	1	
28	020106050	NUT	1	REPLACES P/N 0600815000
29	Y0605000404	RUBBER SUSPENSION	2	
30	0030016000	HEX. NUT	2	
30A	0040016000	WASHER, LOCK	2	
31	0070506306	BEARING	1	

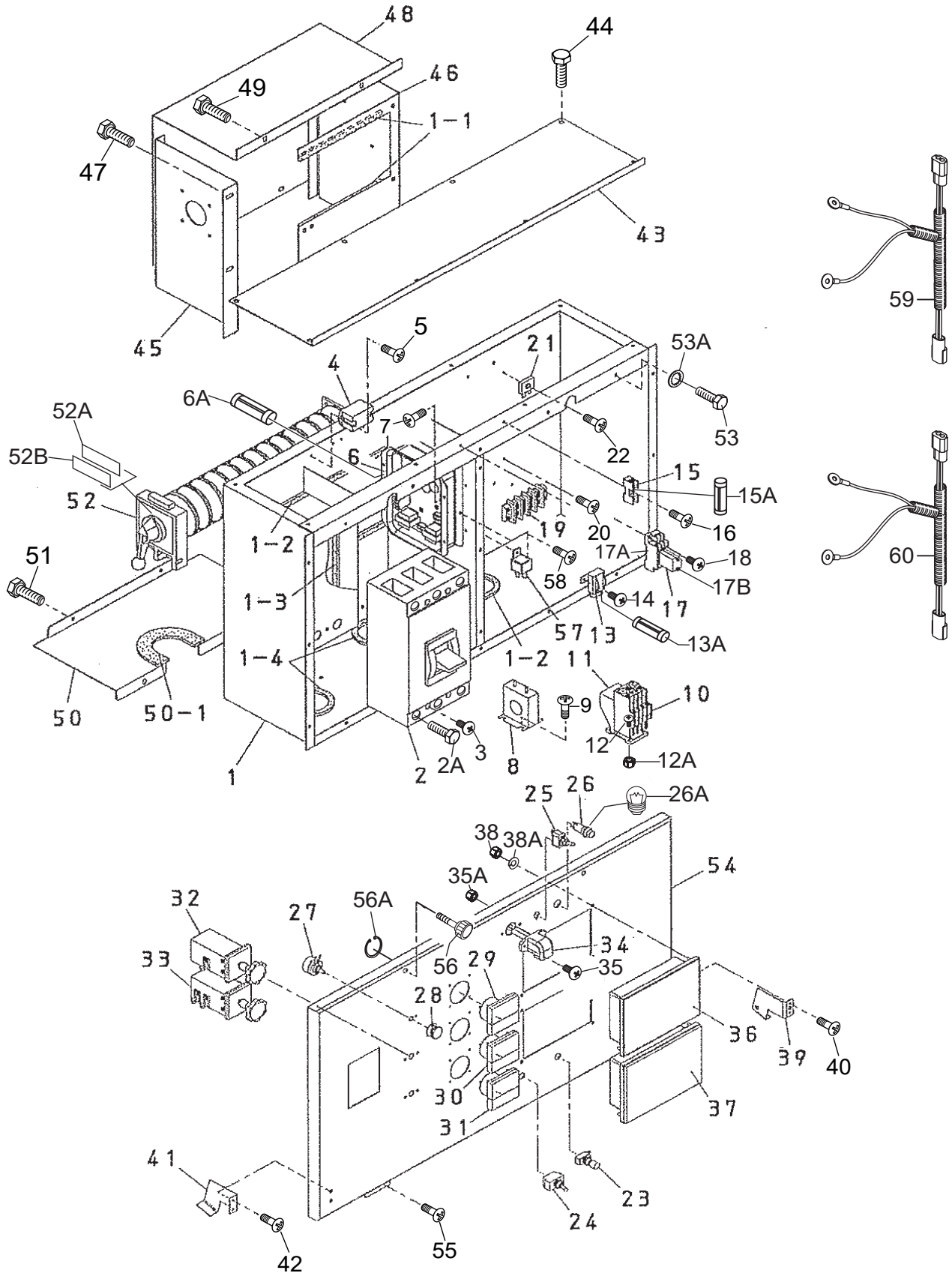
CONTROL BOX ASSY.



CONTROL BOX ASSY.

<u>NO.</u>	<u>PART NO.</u>	<u>PART NAME</u>	<u>QTY.</u>	<u>REMARKS</u>
1	M3214000102	CONTROL BOX	1	
1-1	Y0330000200	EDGING	2	
1-2	0330000160	EDGING	4	
1-3	0330000180	EDGING	1	
1-4	0330000210	EDGING	2	
2	0601808823	CIRCUIT BREAKER, 12VDC	1	
2A	0342604120	HEX. SOCKET HEAD CAP SCREW	6	
3	0021006080	MACHINE SCREW	4	
4	0601823863	RELAY UNIT	2	
5	7538070	MACHINE SCREW	4	REPLACES P/N 0027104016
6	Y0601820609	AUTOMATIC VOLTAGE REGULATOR	1	
6A	Y0601806683	FUSE 250V, 8A	1	
7	0027105015	MACHINE SCREW	4	
8	Y0601809694	CURRENT TRANSFORMER, 200/5A	3	
9	011206020	MACHINE SCREW	6	REPLACES P/N 0027106020
10	0601820847	OVER CURRENT RELAY	1	
11	0601820848	OVER CURRENT RELAY	1	
12	0027104020	MACHINE SCREW	2	
12A	OEMAA8	SELF-LOCKING NUT	2	REPLACES P/N 0207004000
13	Y0601872140	HOLDER, FUSE	1	
13A	Y0601806607	FUSE 40A	1	
14	0027105015	MACHINE SCREW	1	
15	Y0601802219	HOLDER, FUSE	1	
15A	0601806671	FUSE 15A	1	
16	0027104020	MACHINE SCREW	1	
17	LY2DUS12VDC	RELAY W/DIODE	1	REPLACES P/N 0601827656
17A	PTF08A	BASE	1	REPLACES P/N 0601823109
17B	PYCA1	CLIP	2	REPLACES P/N 0601824400
18	0027104020	MACHINE SCREW	2	
19	0601815153	TERMINAL BLOCK	1	
20	0027104020	MACHINE SCREW	2	
21	0601821370	RECTIFIER	1	REPLACES P/N 0601823240
22	0027105020	MACHINE SCREW	1	
23	0601831205	PUSH BUTTON SWITCH	1	
24	82608	TOGGLE SWITCH	1	REPLACES P/N 0601831340
25	0601830710	TOGGLE SWITCH	1	
26	0602103092	ALARM LAMP	1	
26A	0601810277	BULB18V	1	
27	0601840073	RHEOSTAT(VOLTAGE REG.) 2W 1K OHM)	1	
28	0601840100	KNOB	1	REPLACES P/N 0601840121
29	Y0601807631	FREQUENCY METER 240V 45-65HZ	1	
30	Y0601817035	AC AMMETER 0~200A/400A:5A	1	

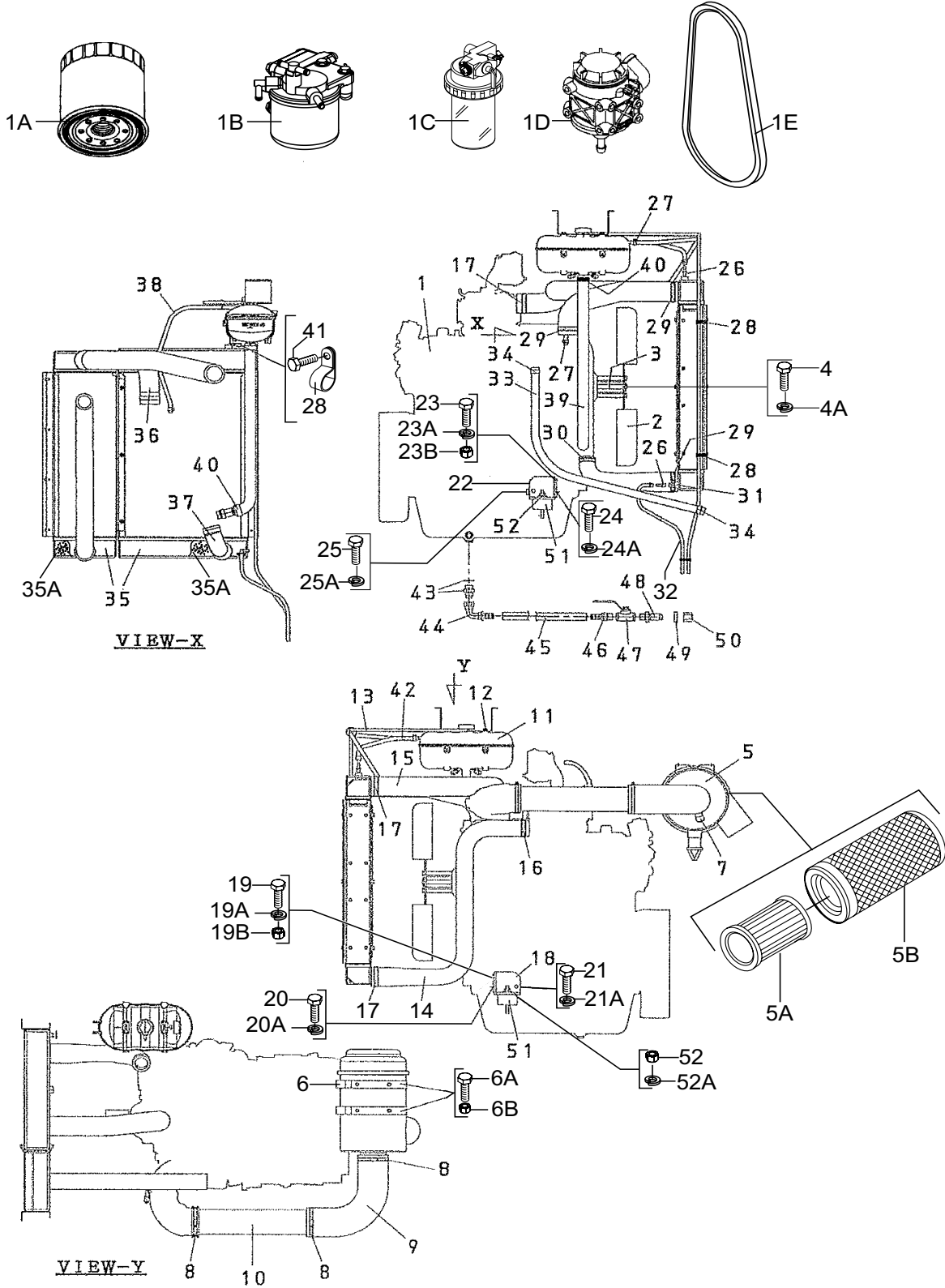
CONTROL BOX ASSY. (CONT'D.)



CONTROL BOX ASSY. (CONT'D.)

<u>NO.</u>	<u>PART NO.</u>	<u>PART NAME</u>	<u>QTY.</u>	<u>REMARKS</u>
31	Y0601806947	AC VOLTMETER, 600V	1	
32	0601801040	CHANGE-OVER SWITCH, AMMETER	1	
33	0601801041	CHANGE-OVER SWITCH, VOLTMETER	1	
34	Y0601810170	PANEL LIGHT 12V	1	
35	0027104020	MACHINE SCREW	2	
35A	OEMAA8	SELF-LOCKING NUT	2	REPLACES P/N 0207004000
36	Y0602120569	GAUGE UNIT ASSY	1	
37	Y0602202644	CONTROLLER	1	
38	0206707000	HEX. NUT	8	
38A	0044807000	WASHER, LOCK	8	
39	M1223100004	STOPPER	1	
40	0027105010	MACHINE SCREW	2	
41	M3223100004	STOPPER	1	
42	0027105010	MACHINE SCREW	2	
43	M3213500604	CONTROL BOX COVER	1	
44	0016906016	HEX. HEAD BOLT	8	
45	M3213601504	SWITCH BRACKET	1	
46	M3213601604	SWITCH BRACKET	1	
47	0016906016	HEX. HEAD BOLT	6	
48	M3213602304	SWITCH COVER	1	
49	0016906016	HEX. HEAD BOLT	6	
50	M3213602404	SWITCH COVER	1	
50-1	0317700180	WEATHER STRIP	1	
51	0016906016	HEX. HEAD BOLT	4	
52	M3270100404	SELECTOR SWITCH	1	
52A	M3550002304	DECAL: SELECTOR SWITCH NUMBER	1	M35000230
52B	M3550002404	DECAL: SELECTOR SWITCH NUMBER	1	M35000240
53	0016906016	HEX. HEAD BOLT	19	
53A	0040506000	TOOTHED WASHER	1	
54	M3224000003	CONTROL PANEL	1	
55	0027105010	MACHINE SCREW	4	
56	M9220100004	SET SCREW	2	
56A	0080200007	E-SNAP RING	2	
57	0602202597	RELAY, STARTER	1	
58	0027105015	MACHINE SCREW	1	
59	M3247700004	WIRE HARNESS, GENERATOR	1	
60	M3358200002	WIRE HARNESS, ENGINE	1	

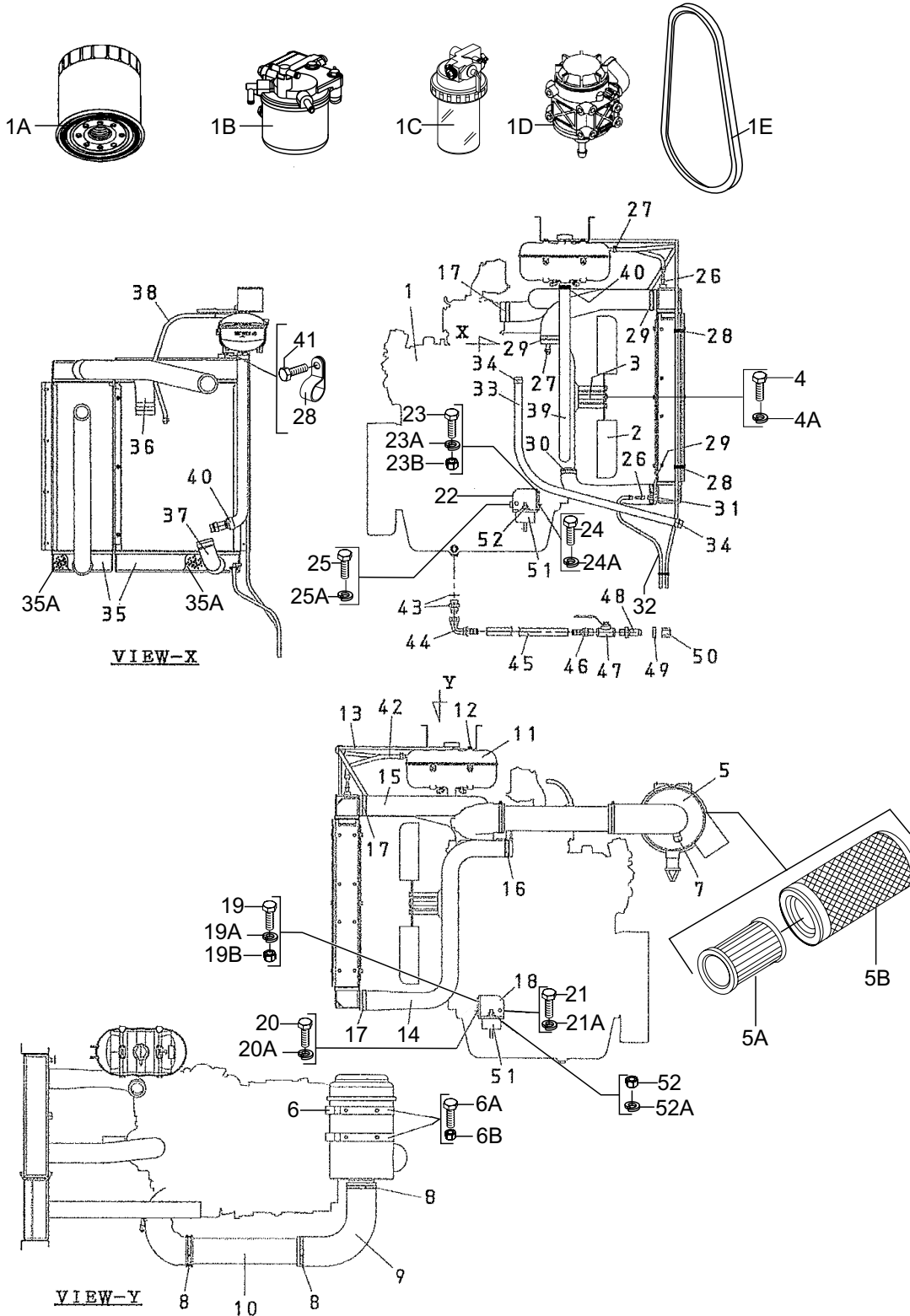
ENGINE AND RADIATOR ASSY.



ENGINE AND RADIATOR ASSY.

<u>NO.</u>	<u>PART NO.</u>	<u>PART NAME</u>	<u>QTY.</u>	<u>REMARKS</u>
1	M3924200004	ENGINE, JOHN DEERE 4045HFG93	1	
1A	RE504836	CARTRIDGE, OIL	1	REPLACES P/N 0602041292
1B	RE544394	CARTRIDGE, FUEL FILTER	1	REPLACES P/N Y0602042568
1C	RE541922	CARTRIDGE, FUEL PREFILTER	1	REPLACES P/N Y0602042569
1D	P828889	CARTRIDGE, BLOW-BY FILTER	1	REPLACES P/N 0602044230
1E	R533594	FAN BELT	1	
2	Y0602060009	BLOWER FAN	1	
3	Y0602061005	FAN SPACER	1	
4	Y0012110130	HEX. HEAD BOLT	4	
4A	030210250	WASHER, LOCK	4	REPLACES P/N 0042510000
5	0602046258	AIR CLEANER	1	
5A	P777639	SAFETY ELEMENT (OUTER)	1	REPLACES P/N 0602046685
5B	0602046684	PRIMARY ELEMENT (INNER)	1	
6	0602040596	AIR CLEANER BAND	2	
6A	011008020	HEX. HEAD BOLT	4	REPLACES P/N 0016908020
6B	020108060	SELF LOCK NUT	4	REPLACES P/N 0207008000
7	0602040650	AIR CLEANER INDICATOR	1	
8	0605515197	HOSE BAND	3	
9	M3374100003	AIR CLEANER HOSE	1	
10	M3374000004	AIR CLEANER PIPE	1	
11	Y0602010221	SURGE TANK	1	
12	011008020	HEX. HEAD BOLT	2	REPLACES P/N 0016908020
13	Y0193601950	OVER FLOW HOSE	1	
14	M3311500203	INTER COOLER HOSE, LOWER	1	
15	M3311500303	INTER COOLER HOSE, UPPER	1	
16	0605515215	HOSE BAND	1	
17	0605515236	HOSE BAND	3	
18	M3304200004	ENGINE FOOT	1	
19	Y0013616050	HEX. HEAD BOLT	1	
19A	0040016000	WASHER, LOCK	1	
19B	0030016000	HEX. NUT	1	
20	0013616040	HEX. HEAD BOLT	1	
20A	0040016000	WASHER, LOCK	1	
21	Y0013612035	HEX. HEAD BOLT	1	
21A	0040012000	WASHER, LOCK	1	
22	M3304200104	ENGINE FOOT	1	
23	Y0013616065	HEX. HEAD BOLT	1	
23A	0040016000	WASHER, LOCK	1	
23B	0030016000	HEX. NUT	1	
24	0013616040	HEX. HEAD BOLT	1	
24A	0040016000	WASHER, LOCK	1	
25	Y0013612035	HEX. HEAD BOLT	1	
25A	0040012000	WASHER, LOCK	1	
26	Y0605512192	HOSE JOINT	2	

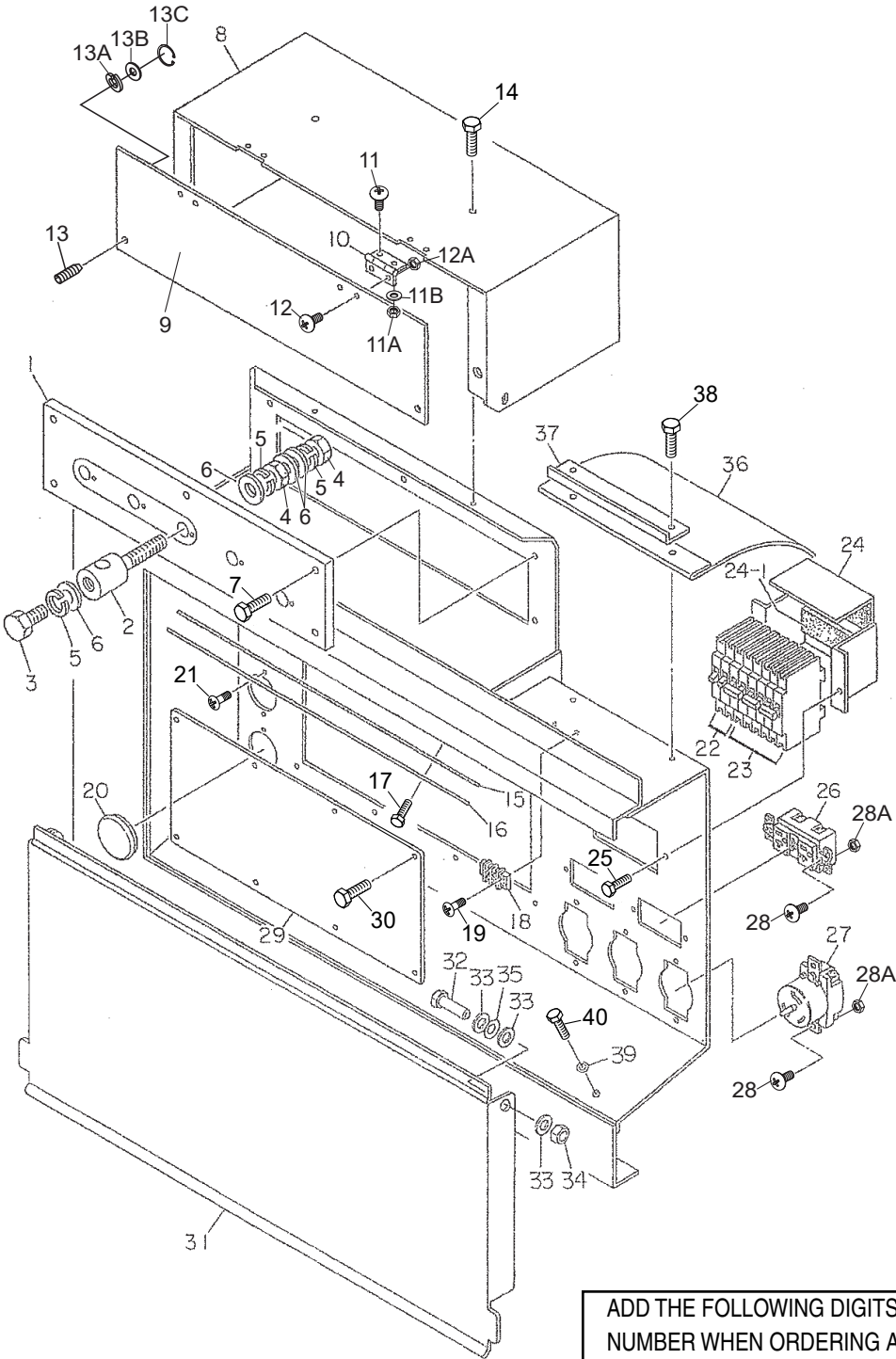
ENGINE AND RADIATOR ASSY. (CONT'D.)



ENGINE AND RADIATOR ASSY. (CONT'D.)

<u>NO.</u>	<u>PART NO.</u>	<u>PART NAME</u>	<u>QTY.</u>	<u>REMARKS</u>
27	0605515073	HOSE BAND	4	
28	0602220911	CLAMP	3.....	REPLACES P/N 0602220910
29	9500202080	HOSE BAND	3.....	REPLACES P/N 0605515178
30	0605515199	HOSE BAND	1	
31	Y0605511394	MINI BALL VALVE	1	
32	0193600600	DRAIN HOSE	1	
33	Y0191601000	BLOWBY HOSE	1	
34	0605515149	HOSE BAND	2	
35	Y0602012900	RADIATOR AND INTER COOLER	1	
35A	M3494600004	ACOUSTIC SHEET	2	
36	M3311500003	RADIATOR HOSE, UPPER	1	
37	M3311500103	RADIATOR HOSE, LOWER	1	
38	Y0379101200	VENT HOSE	1	
39	M3311500403	SURGE TANK HOSE	1	
40	0605515147	HOSE BAND	2	
41	011008020	HEX. HEAD BOLT	1.....	REPLACES P/N 0016908020
42	Y0379100600	VENT HOSE	1	
43	0602022563	ADAPTER 10-M18X1.5	1	
44	0602022561	90° ELBOW	1	
45	0269200600	PUSH-LOCK HOSE	1	
46	0603306395	MALE PIPE	1	
47	0605511395	BALL VALVE	1	
48	0603306590	MALE BULKHEAD CONNECTOR	1	
49	0603300285	BULKHEAD ROCKNUT	1	
50	0602021070	CAP	1	
51	Y0605000403	RUBBER SUSPENSION	2.....	REPLACES P/N 0605000403
52	0030012000	HEX. NUT	2	
52A	0040012000	WASHER, LOCK	2	

OUTPUT TERMINAL ASSY.



ADD THE FOLLOWING DIGITS AFTER THE PART NUMBER WHEN ORDERING ANY PAINTED PANEL TO INDICATE COLOR OF UNIT:

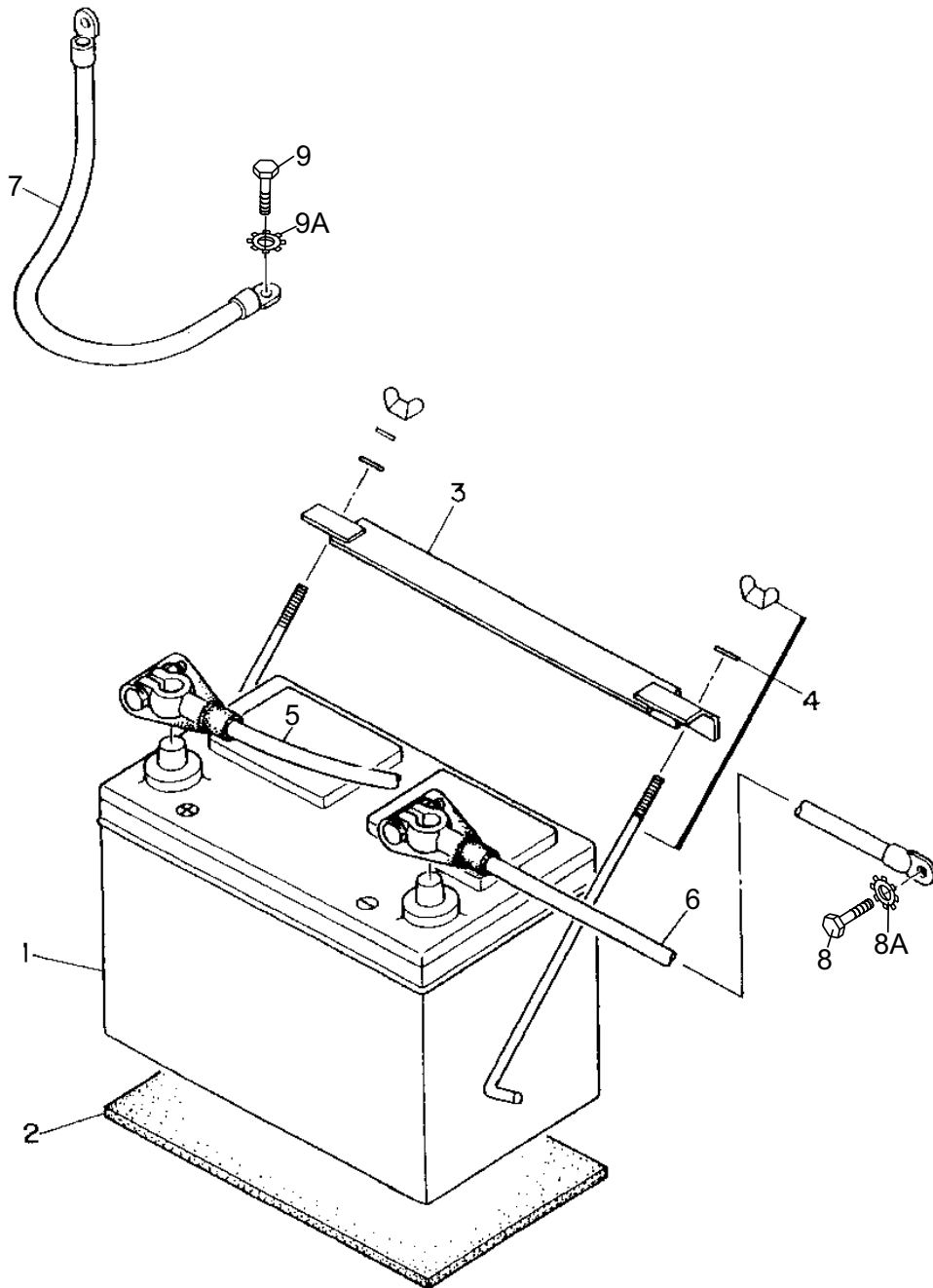
1-ORANGE	6-CATERPILLAR YELLOW
2-WHITE	7-CATO GOLD
3-SPECTRUM GREY	8-RED
4-SUNBELT GREEN	9-DESERT TAN
5-BLACK	

THE SERIAL NUMBER MAY BE REQUIRED.

OUTPUT TERMINAL ASSY.

NO.	PART NO.	PART NAME	QTY.	REMARKS
1	M3230700003	TERMINAL PANEL	1	
2	M9220100304	OUTPUT TERMINAL BOLT	5	
3	0801830804	TIE BOLT	5	REPLACES P/N M9220100404
4	0039316000	HEX. NUT	10	
5	0040016000	WASHER, LOCK	15	
6	0401450160	WASHER, FLAT	20	REPLACES P/N 0041416000
7	0012108035	HEX. HEAD BOLT	5	REPLACES P/N 0016908035
8	M2237100103	3-PHASE OUTPUT TERMINAL COVER	1	
9	M3236100104	OUTPUT WINDOW	1	
10	0605010040	HINGE	2	
11	0027103010	MACHINE SCREW	4	
11A	0207003000	HEX. NUT	4	REPLACES P/N 0030003000
11B	0041203000	WASHER, FLAT	4	
12	0027103010	MACHINE SCREW	4	
12A	0207003000	HEX. NUT	4	REPLACES P/N 0030003000
13	M9220100804	SET SCREW	2	
13A	0040006000	WASHER, LOCK	2	
13B	952404470	WASHER, FLAT	2	REPLACES P/N 0041206000
13C	0080200005	E-SNAP RING	2	
14	0016906016	HEX. HEAD BOLT	4	
15	M3236400004	RUBBER, CABLE OUTLET COVER	1	
16	M3236300004	SUPPORTER, CABLE OUTLET COVER	1	
17	011206020	HEX. HEAD BOLT	6	REPLACES P/N 0016906020
18	0601815194	TERMINAL BLOCK	1	
19	7538070	MACHINE SCREW	2	REPLACES P/N 0027104016
20	0603306775	BLIND PLUG	2	
21	7538070	MACHINE SCREW	4	REPLACES P/N 0027104016
22	0601870440	CIRCUIT BREAKER, 1P, 20A	2	S/N 7501476 AND BELOW
22	0601808803	CIRCUIT BREAKER, 1P, 20A	2	S/N 7501477 AND ABOVE
23	0601870441	CIRCUIT BREAKER, 2P, 50A	3	S/N 7501476 AND BELOW
23	0601808804	CIRCUIT BREAKER, 2P, 50A	3	S/N 7501477 AND ABOVE
24	M1260700504	BREAKER FITTING COVER	1	S/N 7501476 AND BELOW
24	M1260700304	BREAKER FITTING COVER	1	S/N 7501477 AND ABOVE
24-1	0222100100	CUSHION RUBBER	2	S/N 7501476 AND BELOW
24-1	0222100150	CUSHION RUBBER	2	S/N 7501477 AND ABOVE
25	011206020	HEX. HEAD BOLT	2	REPLACES P/N 0016906020
26	0601814013	RECEPTACLE, 125V, 20A	2	
27	Y0601814014	RECEPTACLE, 250V 50A	3	
28	7538070	MACHINE SCREW	10	REPLACES P/N 0027104015
28A	OEMAA8	HEX. NUT	10	REPLACES P/N 0207004000
29	M3236400204	COVER	1	
30	0016906016	HEX. HEAD BOLT	8	
31	M3454400003	TERMINAL COVER	1	
32	012212045	HEX. HEAD BOLT	2	REPLACES P/N 0010112045
33	031112230	WASHER, FLAT	6	REPLACES P/N 0041212000
34	0030012000	HEX. NUT, DOUBLE NUT	2	
35	0605050060	CONICAL SPRING WASHER	2	
36	M4236100604	INSULATING COVER	1	
37	M4236400304	SUPPORTER, INSULATING COVER	1	
38	0016906016	HEX. HEAD BOLT	2	
39	0040508000	TOOTHED WASHER	1	
40	011208025	HEX. HEAD BOLT	1	REPLACES P/N 0016908025

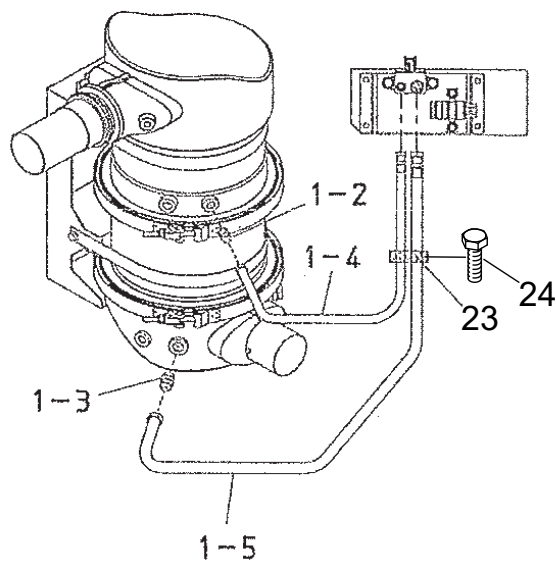
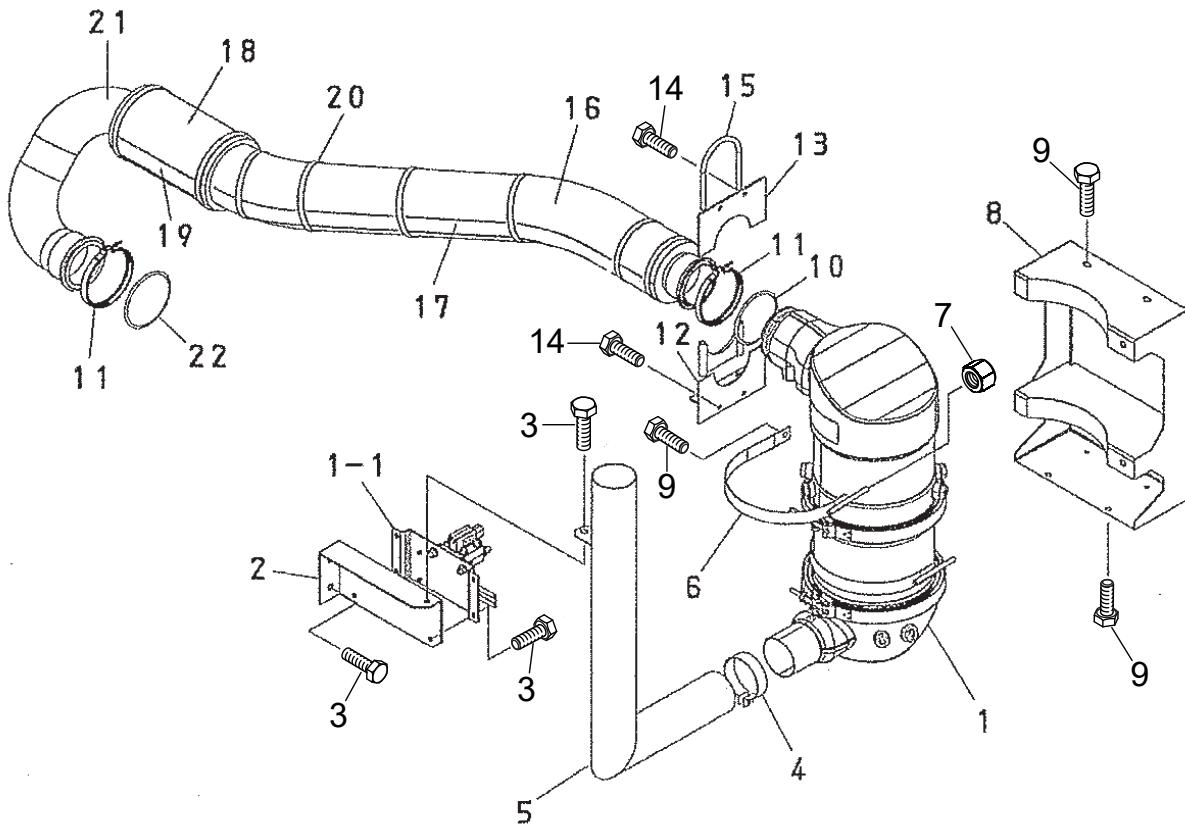
BATTERY ASSY.



BATTERY ASSY.

<u>NO.</u>	<u>PART NO.</u>	<u>PART NAME</u>	<u>QTY.</u>	<u>REMARKS</u>
1	0602220199	BATTERY	1	
2	M9310500014	BATTERY SHEET	1	
3	M9103000304	BATTERY BAND	1	
4	0602220920	BATTERY BOLT SET 1/4-L10"	2	
5	M2346900904	BATTERY CABLE	1	
6	M2346900604	BATTERY CABLE	1	
7		CABLE	1	MAKE LOCALLY
8	0017112025	HEX. HEAD BOLT	1	
8A	0040512000	TOOTHED WASHER	1	
9	0016910025	HEX. HEAD BOLT	1	
9A	0040510000	TOOTHED WASHER	1	

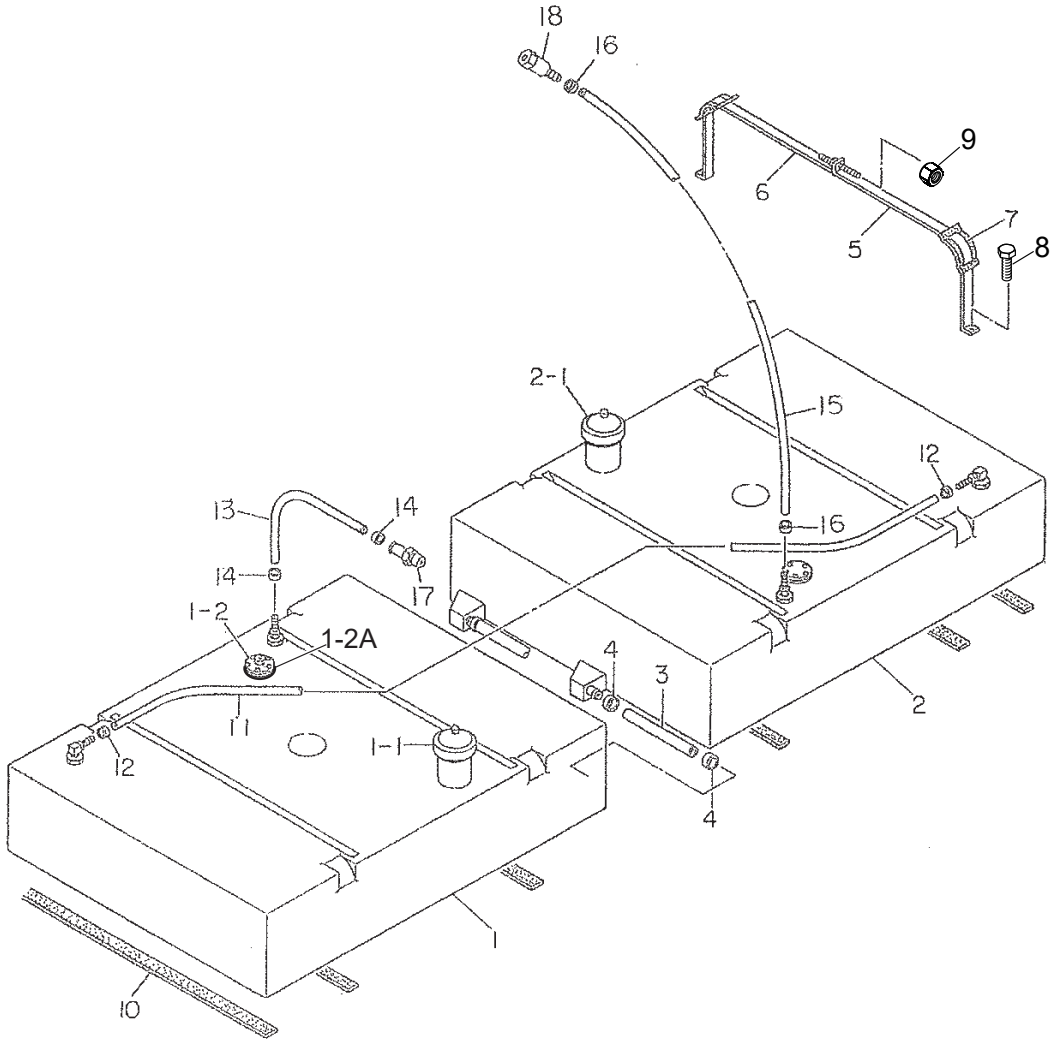
MUFFLER ASSY.



MUFFLER ASSY.

<u>NO.</u>	<u>PART NO.</u>	<u>PART NAME</u>	<u>QTY.</u>	<u>REMARKS</u>
1	RE542793	DEVICE, AFTER-TREATMENT	1.....	REPLACES P/N Y0602330101
1-1	Y0602330202	AFTER-TREATMENT SENSOR	1	
1-2	Y0602330200	JOINT SIZE 6	1	
1-3	Y0602330201	JOINT SIZE 8	1	
1-4	Y0602330002	FLEXIBLE LINE SIZE 6 L=27"	1	
1-5	Y0602330001	FLEXIBLE LINE SIZE 8 L=27"	1	
2	M3331400004	SENSOR BRACKET	1	
3	11008020	HEX. HEAD BOLT	7.....	REPLACES P/N 0016908020
4	Y0602325022	PIPE BAND 3"	1	
5	M3334100003	TAIL PIPE	1	
6	M2330400704	MUFFLER BAND	2	
7	02018060	SELF LOCKING NUT	2.....	REPLACES P/N 0207008000
8	M3331200003	AFTER-TREATMENT BRACKET	1	
9	11008020	HEX. HEAD BOLT	6.....	REPLACES P/N 0016908020
10	R528112	GASKET	1.....	REPLACES P/N Y0602320201
11	RE289839	V-BAND CLAMP	2	REPLACES P/N Y0602325037
12	M3331400204	BRACKET, EXHAUST PIPE	1	
13	M3331400104	COVER, EXHAUST PIPE	1	
14	11008020	HEX. HEAD BOLT	4.....	REPLACES P/N 0016908020
15	0602326060	U BOLT 3"	1	
16	M3331400304	EXHAUST HEAT SHIELD	1	
17	Y0272000750	HEAT SHIELD TAPE	1	
18	M3331400404	EXHAUST HEAT SHIELD	1	
19	Y0272000350	HEAT SHIELD TAPE	1	
20	Y0602325051	METAL CABLE TIE	8	
21	M3334000003	EXHAUST PIPE	1	
22	R533359	GASKET	1.....	REPLACES P/N Y0602320202
23	060222911	CLAMP.....	1.....	REPLACES P/N 0602220910
24	11008020	HEX. HEAD BOLT	1.....	REPLACES P/N 0016908020

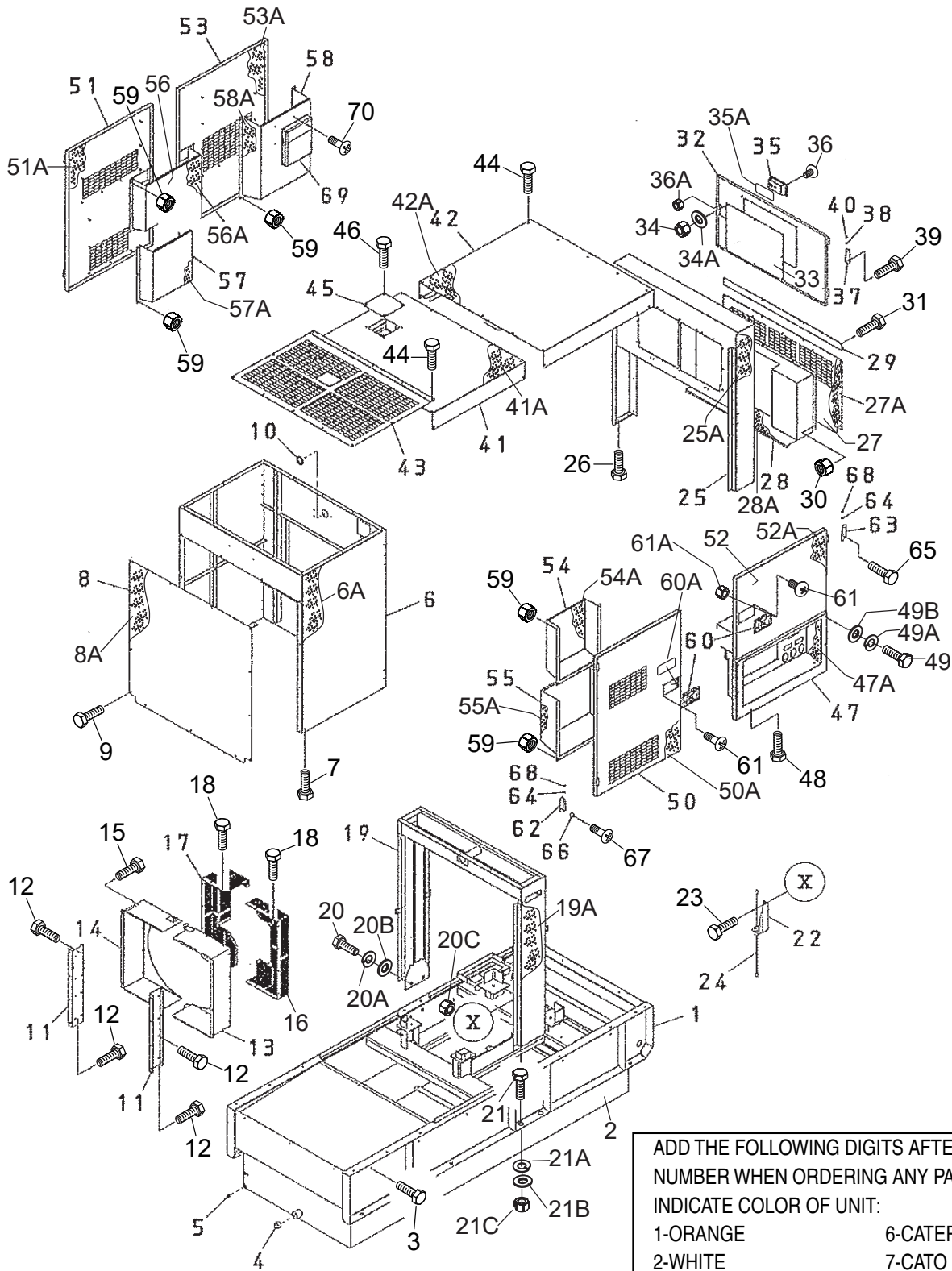
FUEL TANK ASSY.



FUEL TANK ASSY.

<u>NO.</u>	<u>PART NO.</u>	<u>PART NAME</u>	<u>QTY.</u>	<u>REMARKS</u>
1	M3363001402	FUEL TANK	1	
1-1	0605505070	FUEL TANK CAP	1	
1-2	0605501074	FUEL SENDER UNIT	1	
1-2A	0605516090	GASKET	1	
2	M3364000004	FUEL TANK	1	
2-1	0605505070	FUEL TANK CAP	1	
3	0191700260	CONNECT HOSE	2	
4	0605515134	HOSE BAND	4	
5	M3363200404	TANK BAND	4	
6	M3363200904	TANK BAND	4	
7	M9310500104	SUPPORTER SHEET	8	
8	011008020	HEX. HEAD BOLT	8.....	REPLACES P/N 0016908020
9	020108060	HEX. NUT	8.....	REPLACES P/N 0207008000
10	0222101000	TANK SHEET	6	
11	0191302500	VENT HOSE	1	
12	0605515109	HOSE BAND	2	
13	Y0191301500	SUCTION HOSE	1	
14	0605515109	HOSE BAND	2	
15	Y0191100900	RETURN HOSE	1	
16	0605515189	HOSE BAND	2	
17	Y0602042602	HOSE JOINT	1	
18	Y0605512182	HOSE JOINT	1	

ENCLOSURE ASSY.



ADD THE FOLLOWING DIGITS AFTER THE PART NUMBER WHEN ORDERING ANY PAINTED PANEL TO INDICATE COLOR OF UNIT:

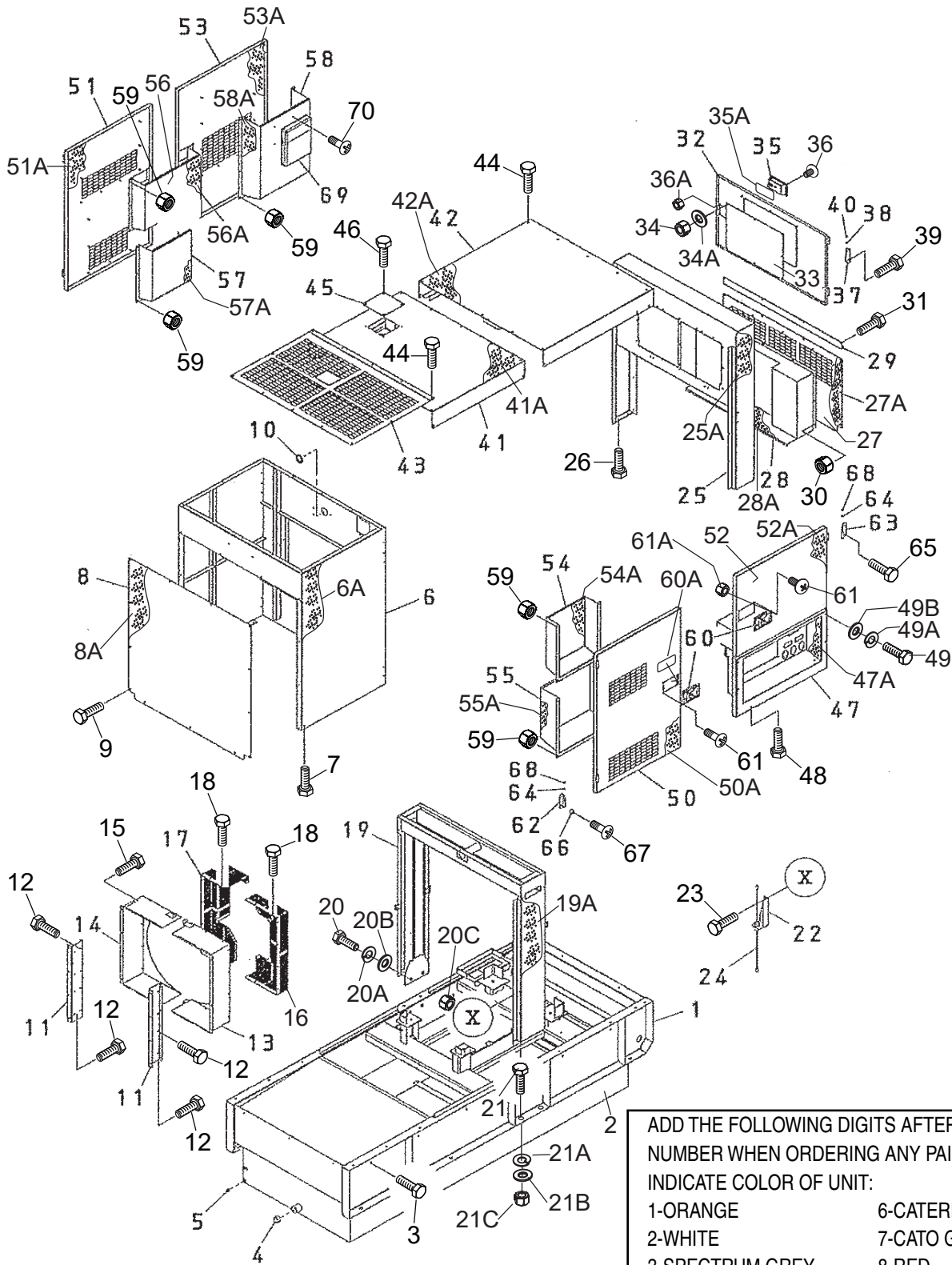
1-ORANGE	6-CATERPILLAR YELLOW
2-WHITE	7-CATO GOLD
3-SPECTRUM GREY	8-RED
4-SUNBELT GREEN	9-DESERT TAN
5-BLACK	

THE SERIAL NUMBER MAY BE REQUIRED.

ENCLOSURE ASSY.

<u>NO.</u>	<u>PART NO.</u>	<u>PART NAME</u>	<u>QTY.</u>	<u>REMARKS</u>
1	M3414000002	BASE	1	
2	M3364000103	ENVIRONMENTAL TANK	1	
3	0016910030	HEX. HEAD BOLT	12	
4	0603306797	SQUARE HEAD PIPE PLUG 1-1/2"	1	
5	Y0603306794	SQUARE HEAD PIPE PLUG 1/2"	1	
6	M3424000002	FRONT FRAME	1	
6A	M3494100003	ACOUSTIC SHEET	1	
7	0016910025	HEX. HEAD BOLT	6	
8	M3424200104	COVER, FRONT FRAME	1	
8A	M3494101404	ACOUSTIC SHEET	1	
9	0019208020	HEX. HEAD BOLT	13	
10	0601851736	GROMMET	1	
11	M3314300004	RADIATOR BRACKET	2	
12	011008020	HEX. HEAD BOLT	24	REPLACES P/N 0016908020
13	M3311300103	FAN SHROUD	1	
14	M3311300003	FAN SHROUD	1	
15	011008020	HEX. HEAD BOLT	10	REPLACES P/N 0016908020
16	M3311300203	FAN GUARD	1	
17	M3311300303	FAN GUARD	1	
18	011008020	HEX. HEAD BOLT	14	REPLACES P/N 0016908020
19	M3434000002	CENTER FRAME	1	
19A	M3494200004	ACOUSTIC SHEET	1	
20	0010120050	HEX. HEAD BOLT	4	
20A	030220510	WASHER, LOCK	4	REPLACES P/N 0040020000
20B	0041220000	WASHER, FLAT	8	
20C	0030020000	HEX. NUT	4	
21	0010114040	HEX. HEAD BOLT	4	
21A	030214350	WASHER, LOCK	4	REPLACES P/N 0040014000
21B	031114260	WASHER, FLAT	8	REPLACES P/N 0041214000
21C	515455840	HEX. NUT	4	REPLACES P/N 0030014000
22	M1414800104	FUEL LEAK SWITCH BRACKET	1	
23	011008020	HEX. HEAD BOLT	2	REPLACES P/N 0016908020
24	0605503062	FUEL LEAK DETECTED SWITCH	1	
25	M3444000002	REAR FRAME	1	
25A	M3494300104	ACOUSTIC SHEET	2	
26	0016910030	HEX. HEAD BOLT	4	
27	M3444300003	REAR COVER	1	
27A	M3494300204	ACOUSTIC SHEET	1	
28	M3444300103	DUCT, REAR COVER	1	
28A	M3494300003	ACOUSTIC SHEET	1	
29	M3444800004	RAIN GUTTER	1	
30	0176060030	SELF-LOCKING NUT	9	REPLACES P/N 0207006000
31	0019208020	HEX. HEAD BOLT	10	
32	M3444200003	REAR DOOR	1	
33	M4443600004	WINDOW PLATE	1	
34	020106050	LOCK NUT	8	REPLACES P/N 0037906000
34A	952404470	WASHER, FLAT	8	REPLACES P/N 0041206000
35	B9114000002	DOOR HANDLE ASSY.	1	REPLACES P/N M9113000002
35A	C9312500004	SEAL RUBBER	1	
36	0021806016	MACHINE SCREW	4	
36A	020106050	HEX. NUT, DOUBLE NUT	4	REPLACES P/N 0030006000

ENCLOSURE ASSY. (CONT'D.)



ADD THE FOLLOWING DIGITS AFTER THE PART NUMBER WHEN ORDERING ANY PAINTED PANEL TO INDICATE COLOR OF UNIT:

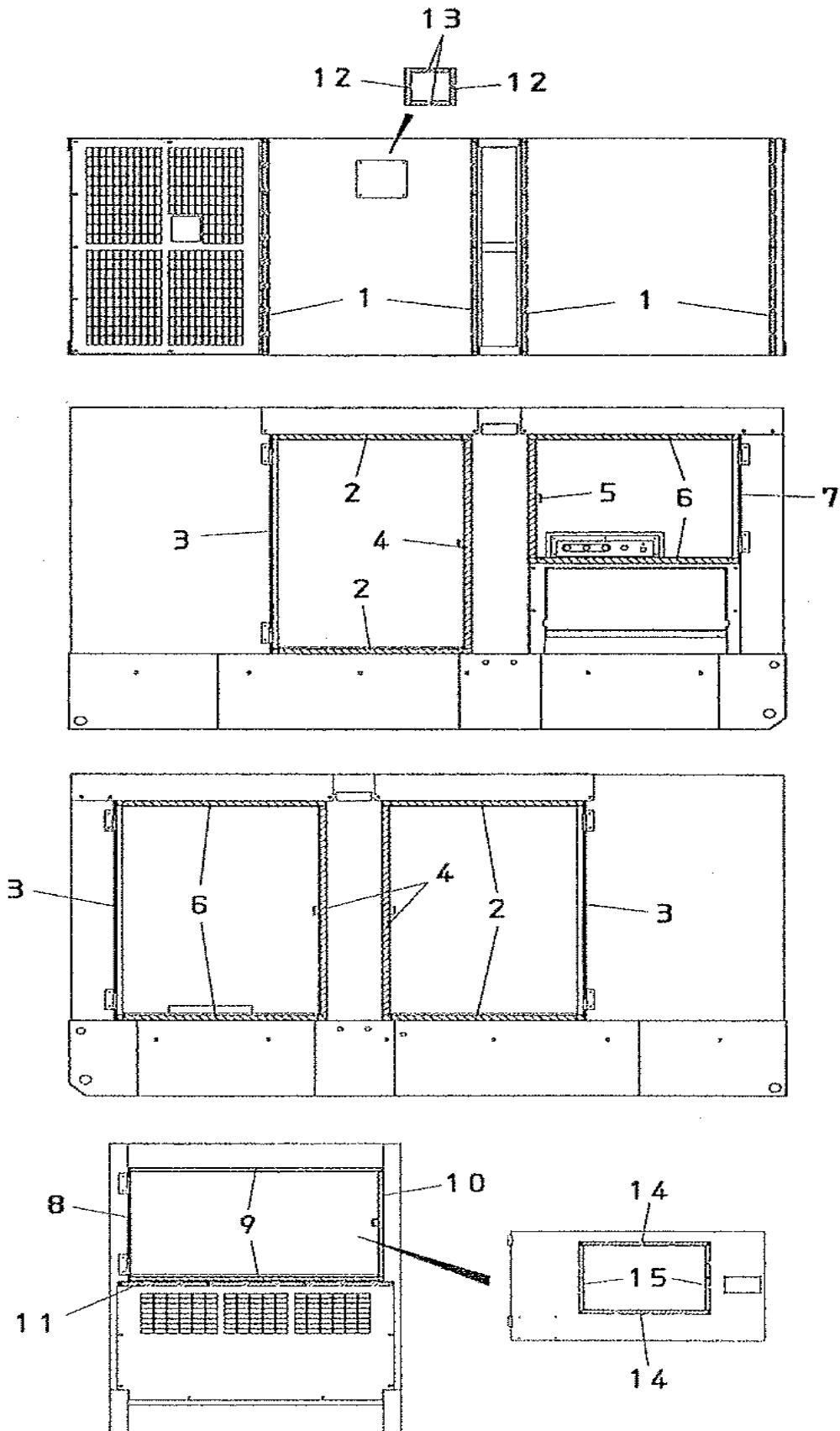
1-ORANGE	6-CATERPILLAR YELLOW
2-WHITE	7-CATO GOLD
3-SPECTRUM GREY	8-RED
4-SUNBELT GREEN	9-DESERT TAN
5-BLACK	

THE SERIAL NUMBER MAY BE REQUIRED.

ENCLOSURE ASSY. (CONT'D.)

<u>NO.</u>	<u>PART NO.</u>	<u>PART NAME</u>	<u>QTY.</u>	<u>REMARKS</u>
37	M9110100204	HINGE	2	
38	M9116100004	WASHER	2	
39	0019208020	HEX. HEAD BOLT	3	
40	0845031504	BLIND PLUG	2	REPLACES P/N M931000004
41	M3464100003	ROOF PANEL	1	
41A	M3494500003	ACOUSTIC SHEET	1	
42	M3464200003	ROOF PANEL	1	
42A	M3494500103	ACOUSTIC SHEET	1	
43	M3424200003	OVER COVER, FRONT FRAME	1	
44	0019208020	HEX. HEAD BOLT	37	
45	M2464400004	COVER	1	
46	0019208020	HEX. HEAD BOLT	4	
47	M3454200002	SPLASHER PANEL	1	
47A	M3494400804	ACOUSTIC SHEET	1	
48	0016910025	HEX. HEAD BOLT	2	
49	0019108055	HEX. HEAD BOLT	4	
49A	0042308000	WASHER, LOCK	4	
49B	031108160	WASHER, FLAT	4	REPLACES P/N 0042408000
50	M3454000003	SIDE DOOR	1	
50A	M3494400003	ACOUSTIC SHEET	1	
51	M3454000103	SIDE DOOR	1	
51A	M3494400103	ACOUSTIC SHEET	1	
52	M3454000203	SIDE DOOR	1	
52A	M3494400304	ACOUSTIC SHEET	1	
53	M3454000303	SIDE DOOR	1	
53A	M3494400203	ACOUSTIC SHEET	1	
54	M3454300103	DUCT	1	
54A	M3494400404	ACOUSTIC SHEET	1	
55	M3454300203	DUCT	1	
55A	M3494400504	ACOUSTIC SHEET	1	
56	M3454300303	DUCT	1	
56A	M3494400604	ACOUSTIC SHEET	1	
57	M3454300103	DUCT	1	
57A	M3494404604	ACOUSTIC SHEET	1	
58	M3454300003	DUCT	1	
58A	M3494400704	ACOUSTIC SHEET	1	
59	0176060030	SELF-LOCKING NUT	39	REPLACES P/N 0207006000
60	B9114000002	DOOR HANDLE ASSY.....	4	REPLACES P/N M9113000002
60A	C9312500004	SEAL RUBBER	4	
61	0021806016	MACHINE SCREW	16	
61A	020106050	HEX. NUT	16	REPLACES P/N 0030006000
62	M9110100204	HINGE	4	
63	M9110100304	HINGE	4	
64	M9116100004	WASHER	8	
65	0019208020	HEX. HEAD BOLT	9	
66	0601850097	DOOR STOPPER	8	
67	0027208025	MACHINE SCREW	8	
68	0845031504	BLIND PLUG.....	8	REPLACES P/N M931000004
69	0600800320	MANUAL PACK	1	
70	0021806016	MACHINE SCREW	4	

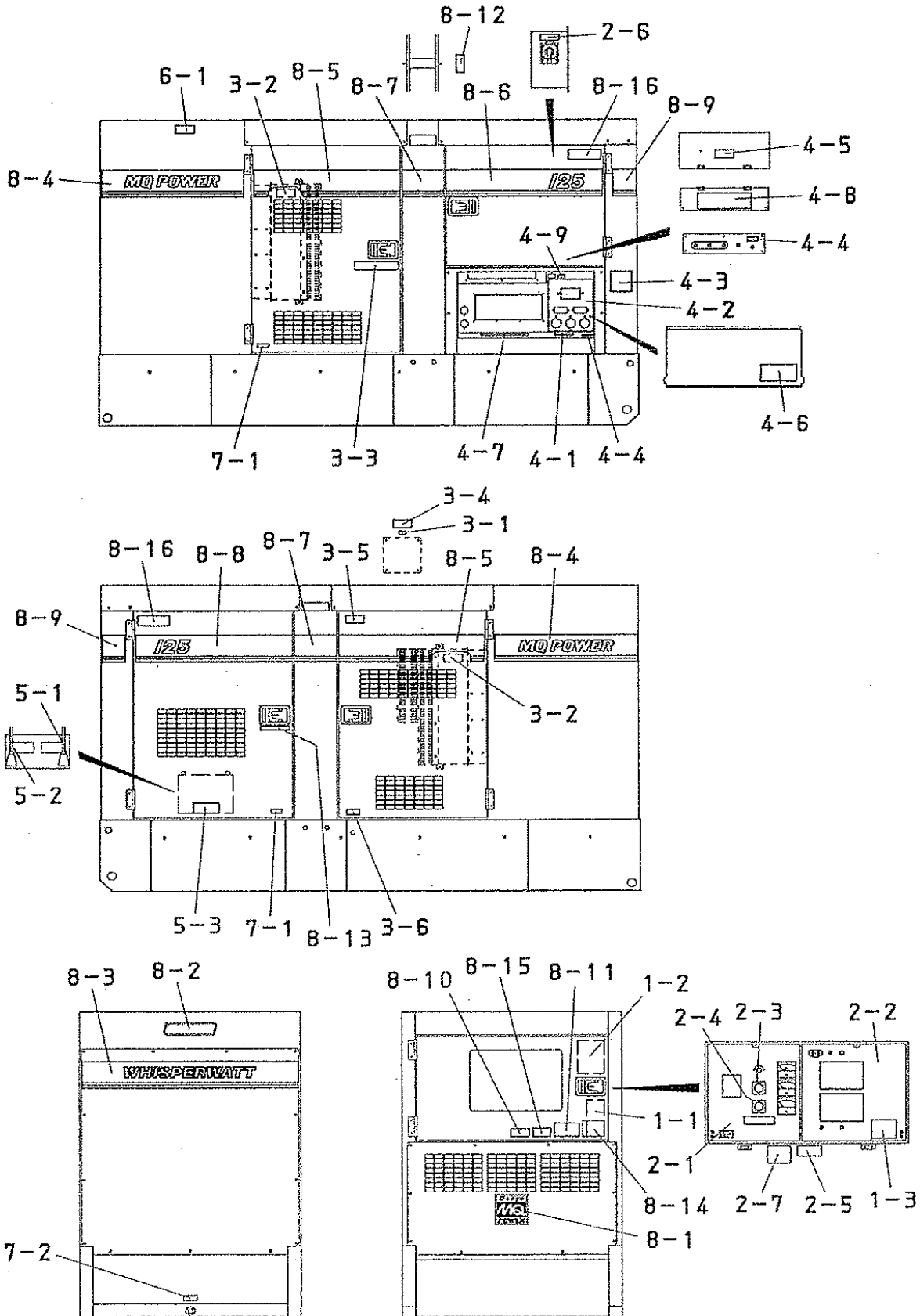
RUBBER SEALS ASSY.



RUBBER SEALS ASSY.

<u>NO.</u>	<u>PART NO.</u>	<u>PART NAME</u>	<u>QTY.</u>	<u>REMARKS</u>
1	0229201240	SEAL RUBBER	4	
2	0228900850	SEAL RUBBER	4	
3	0228901260	SEAL RUBBER	3	
4	0228901200	SEAL RUBBER	3	
5	0228900680	SEAL RUBBER	1	
6	0228900895	SEAL RUBBER	4	
7	0228900740	SEAL RUBBER	1	
8	0228800645	SEAL RUBBER	1	
9	0228801100	SEAL RUBBER	2	
10	0228800605	SEAL RUBBER	1	
11	0229201170	SEAL RUBBER	1	
12	0229200210	SEAL RUBBER	2	
13	0229200165	SEAL RUBBER	2	
14	0228100560	SEAL RUBBER	2	
15	0228100370	SEAL RUBBER	2	

NAMEPLATE AND DECALS ASSY.



NAMEPLATE AND DECALS ASSY.

NO.	PART NO.	PART NAME	QTY.	REMARKS
1-1	M3551000103	DECAL: OPERATING PRECAUTIONS.....	1.....	M35100010
1-2	M3551000303	DECAL: DPF REGEN PROCEDURES.....	1.....	M35100030
1-3	M9520100304	DECAL: GENERAL CAUTIONS.....	1.....	M92010030
CONTROL BOX GROUP				
2-1	M3551000003	DECAL: GENERATOR CONTROL	1.....	M35100000
2-2	M3551000203	DECAL: ENGINE OPERATION.....	1.....	M35100020
2-3	M9520000104	PLATE: AMMETER CHANGE-OVER SWITCH .	1.....	M92000010
2-4	M9520000204	PLATE: VOLTMETER CHANGE-OVR SWITCH 1	M92000020
2-5	M9520100004	DECAL: WARNING ELECTRICAL SHOCK	1.....	M92010000
2-6	M9520100204	DECAL: CAUTION CHANGE-OVER SWITCH ..	1.....	M92010020A
2-7	M9520200404	DECAL: O.C.R RESET	1.....	M92020040
ENGINE AND RADIATOR GROUP				
3-1	M9500100004	DECAL: WATER	1.....	M90010000
3-2	M9503000004	DECAL: WARNING ROTATING PART	2.....	M90300000
3-3	M9503000103	DECAL: DAILY CHECK WATER AND OIL	1.....	M90300010
3-4	M9503100004	DECAL: WARNING RADIATOR CAP	1.....	M90310000
3-5	M9510100004	DECAL: CAUTION HIGH TEMP.	1.....	M91010000
3-6	M9500000004	DECAL: OIL DRAIN	1.....	M90000000
OUTPUT TERMINAL GROUP				
4-1	M1550000204	DECAL: NOTE RECEPTACLE	1.....	M15000020
4-2	M1550002203	DECAL: AUXILIARY OUTPUTS	1.....	M15000220
4-3	M3550000004	DECAL: NOTE LOAD SHARING	1.....	M35000000
4-4	M9520000004	DECAL: GROUNDING	2.....	M92000000
4-5	M9520100004	DECAL: WARNING ELECTRICAL SHOCK	1.....	M92010000
4-6	M9520100404	DECAL: DANGER HIGH VOLTAGE	1.....	M92010040
4-7	M9520100503	DECAL: WARNING	1.....	M92010050
4-8	M9520200003	DECAL: CONNECTION OF OUTPUT CABLE .	1.....	M92020000
4-9	M9520000504	DECAL: START CONTACT	1.....	M92000050
BATTERY GROUP				
5-1	M9500300004	DECAL: -	1.....	M90030000
5-2	M9500300104	DECAL: +	1.....	M90030010
5-3	M9510100403	DECAL: CAUTION	1.....	M91010040A
MUFFLER GROUP				
6-1	M9503200004	DECAL: WARNING EXHAUST GAS	1.....	M90320000

NAMEPLATE AND DECALS ASSY. (CONT'D.)



NAMEPLATE AND DECALS ASSY. (CONT'D.)

<u>NO.</u>	<u>PART NO.</u>	<u>PART NAME</u>	<u>QTY.</u>	<u>REMARKS</u>
FUEL TANK GROUP				
7-1	M9501500004	DECAL: DIESEL FUEL	2	
7-2	M9510000004	DECAL: FLUID DRAIN	1	
ENCLOSURE GROUP				
8-1	M9510200002	DECAL: MQ	1	
8-2	0600500090	EMBLEM	1	
8-2	0021106016	MACHINE SCREW	2	
8-3	M3561000303	STRIPE	1	
8-4	M3561000403	STRIPE	2	
8-5	M3561000003	STRIPE	2	
8-6	M3561000103	STRIPE	1	
8-7	M3560100404	STRIPE	2	
8-8	M3561000203	STRIPE	1	
8-9	M3560100604	STRIPE	2	
8-10	M9520100704	DECAL: WARNING ARC FLASH	1	M92010070
8-11	M9510100304	DECAL: WARNING ENVIRONMENTAL TANK ..	1	M91010030
8-12	M3550002204	DECAL: CAUTION	1	M35000220
8-13	M9510000104	DECAL: DOCUMENT BOX LOCATED	1	M91000010
8-14	M9503200104	DECAL: DANGER EXHAUST GAS(INDOOR) ..	1	M90320010
8-15	920214100	DECAL: WARNING START FIRES	1	REPLACES P/N M9504200004
8-16	M9520100603	DECAL: WARNING AUTO START	2	M92010060