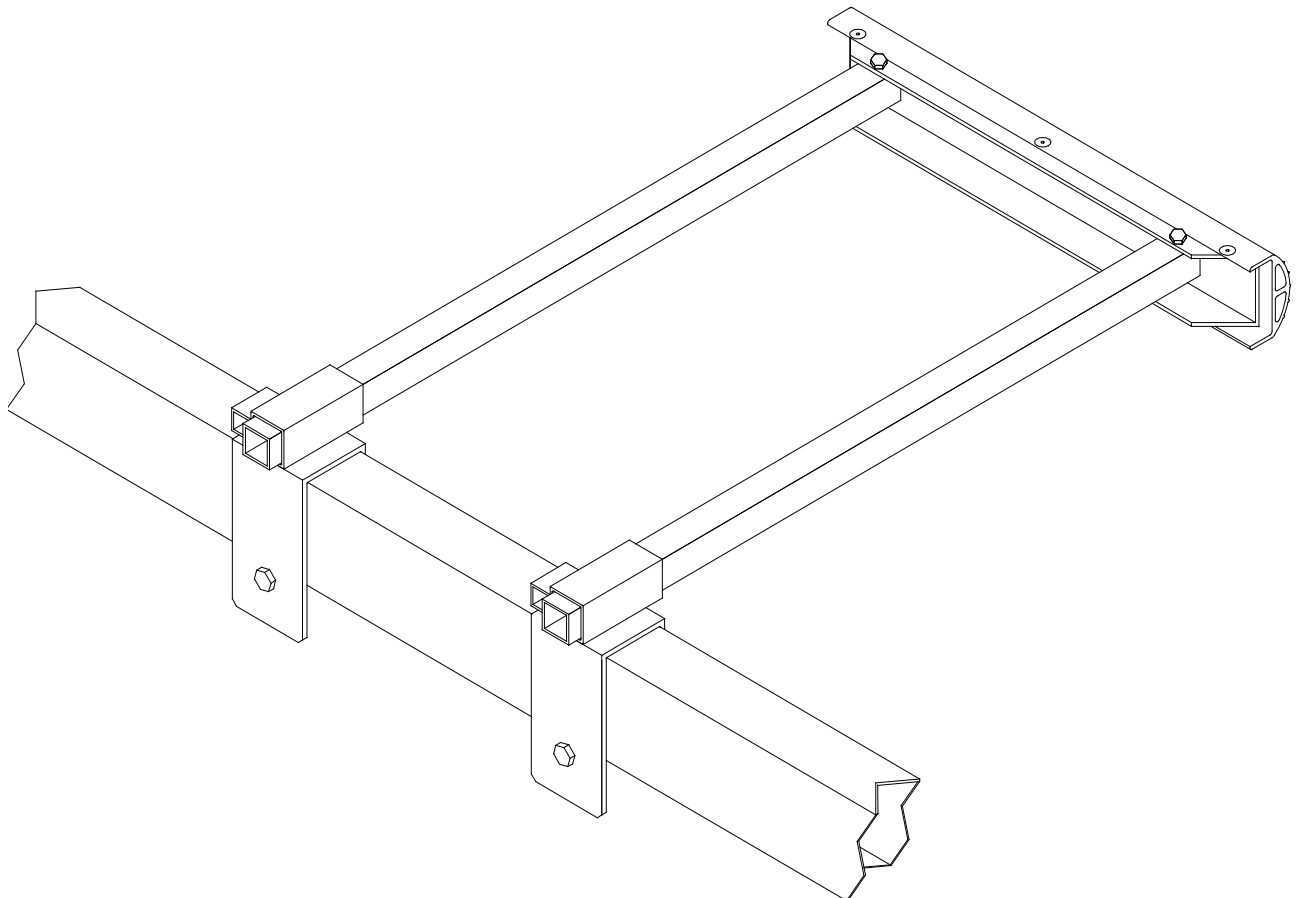
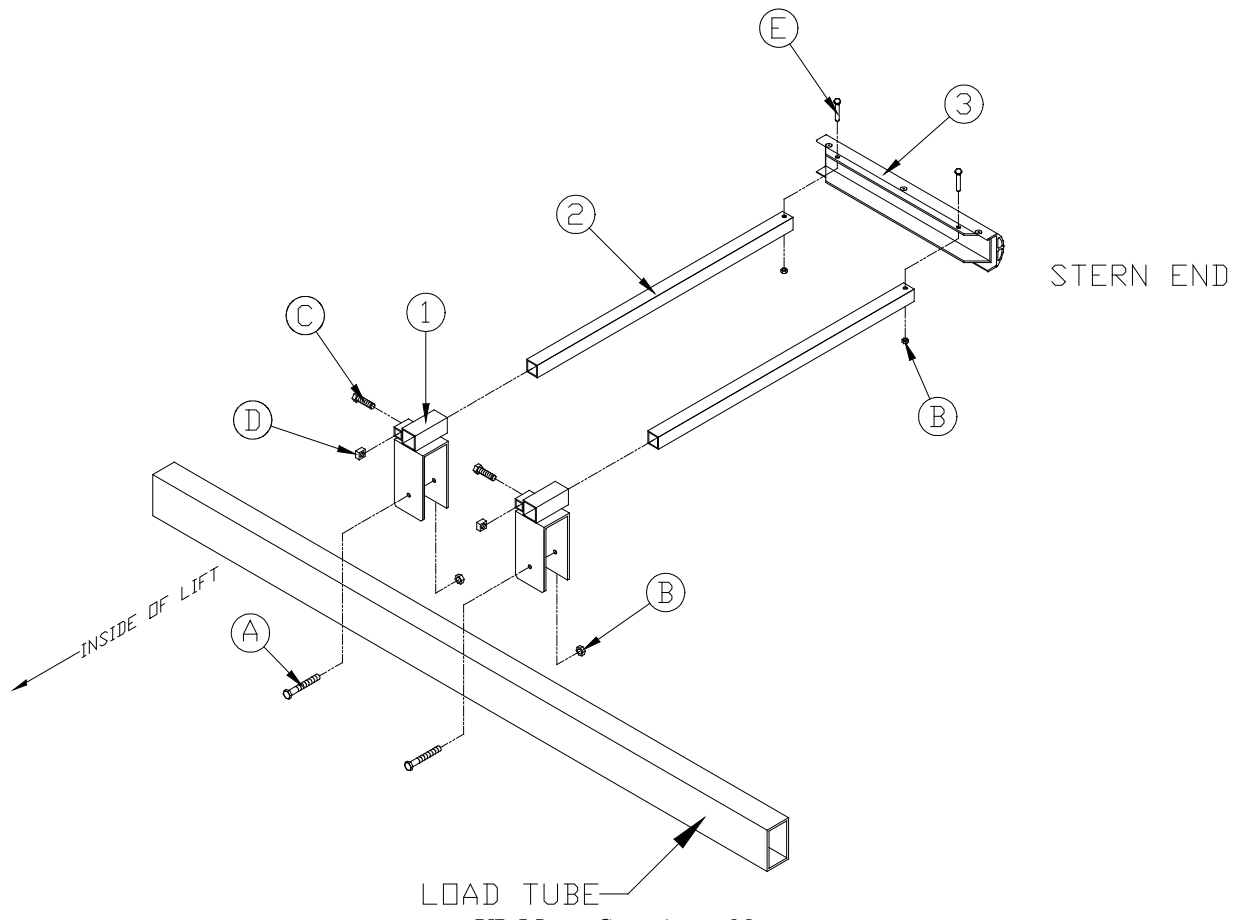




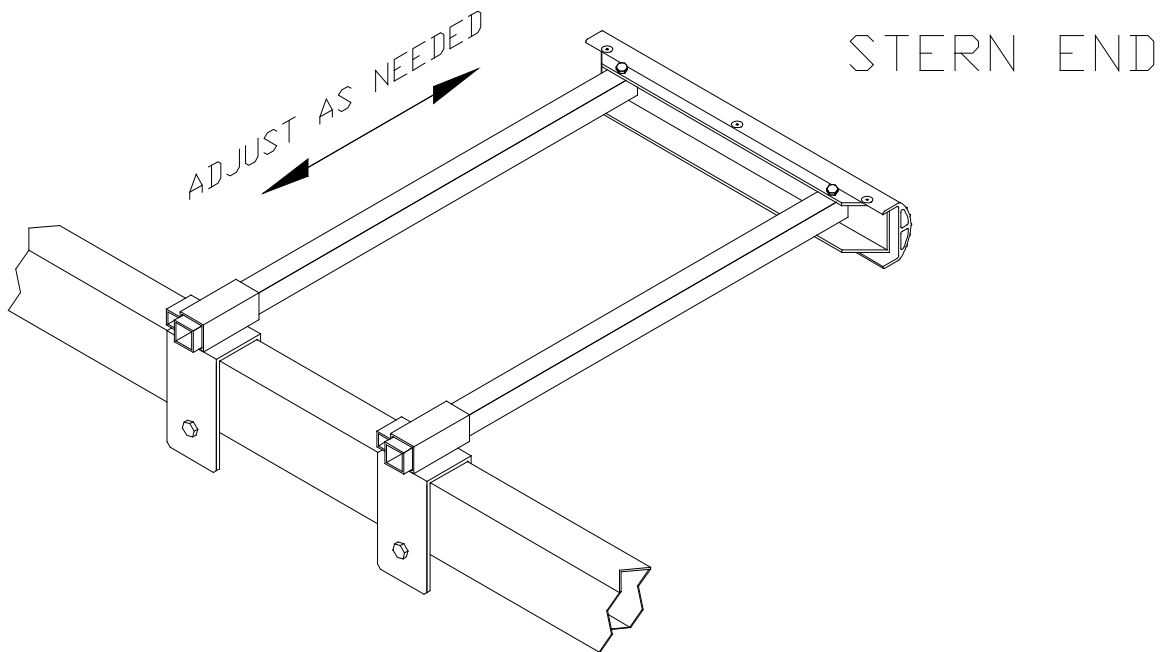
VL/HVL/HL VINYL MOTOR STOP INSTRUCTIONS

(Applies to P/Ns 3600705 & 3600715)

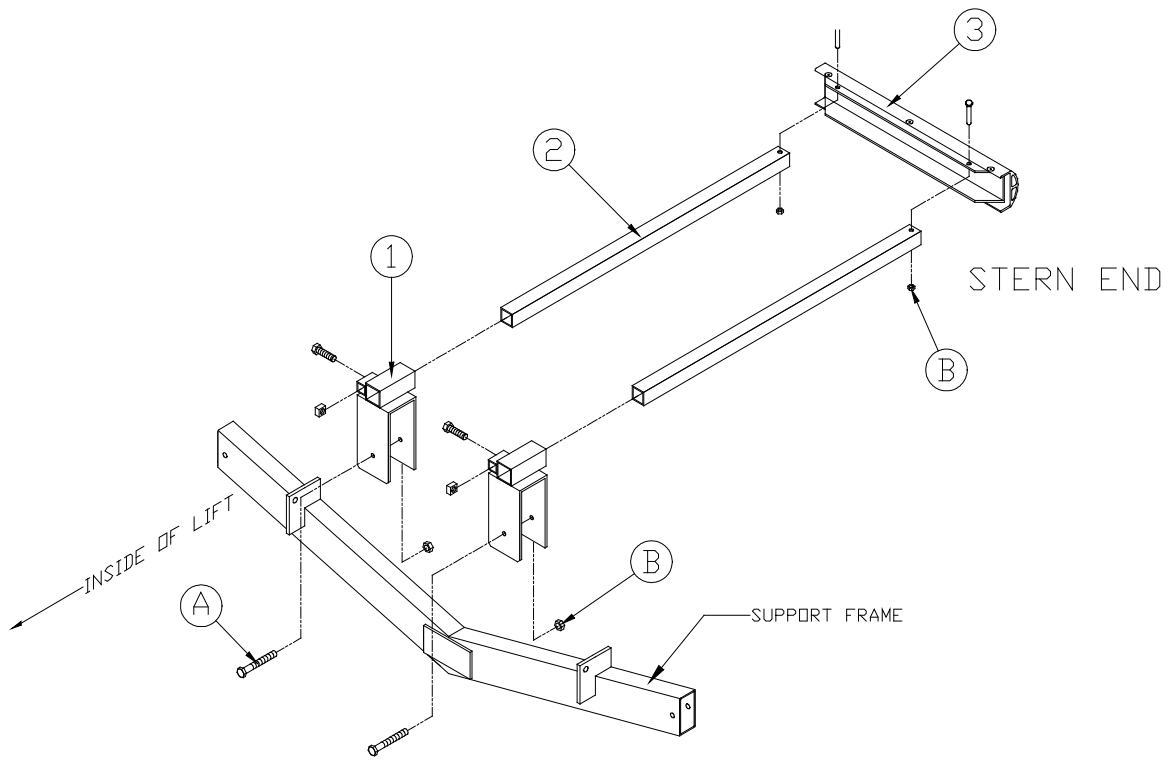




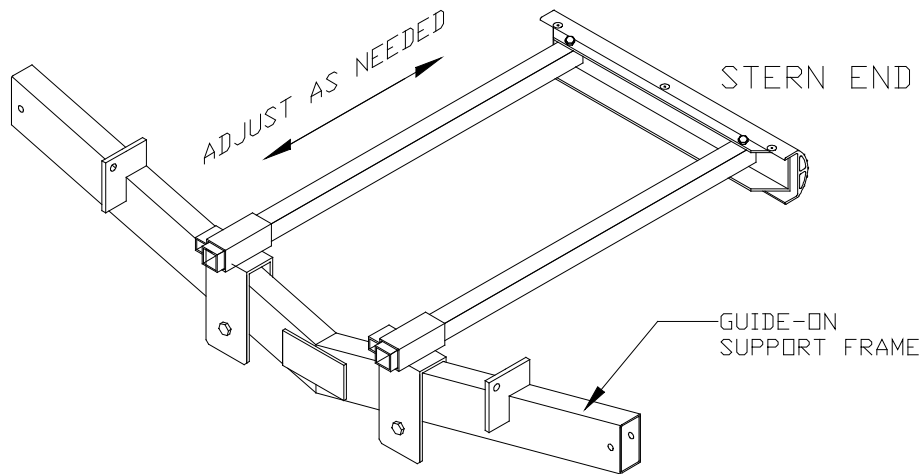
VL Motor Stop Assembly
Figure 2-1



Motor Stop Adjustment
Figure 2-2



HL Motor Stop Assembly
Figure 2-3



HL Motor Stop Adjust
Figure 2-4

4 PARTS LISTS



WARNING:

FAILURE TO APPLY A SUITABLE LUBRICANT TO THE MATING SURFACES OF STAINLESS STEEL THREADED FASTENERS MAY CAUSE GALLING AND/OR SEIZING OF ASSEMBLY.

4.1 #3600705 HVL4-5K/VL2-5K (2x5 tube) & HL3-9K MOTOR STOP 3'

Reference	Part Number	Quantity	Description
1	3600740	2	HVL/VL MOTOR STOP MTG BRKT 2 X 5
2	3403767	2	PWC EXT LEG 3'
3	3600735	1	VINYL MOTOR STOP ASSY
	3600721	1	MOTOR STOP BOB VL 2-5K (SEE SECTION 4.4)

4.2 #3600710 HVL7K/VL8-10K MOTOR STOP 3'

Reference	Part Number	Quantity	Description
1	3600750	2	HVL/VL MOTOR STOP MTG BRKT 3 X 7
2	3403767	2	PWC EXT LEG 3'
3	3600735	1	VINYL MOTOR STOP ASSY
	3600726	1	MOTOR STOP BOB HVL/VL 6-10K (SEE SECTION 4.5)

4.3 #3600715 VL6K MOTOR STOP 3'

Reference	Part Number	Quantity	Description
1	3600750	2	HVL/VL MOTOR STOP MTG BRKT 3 X 5
2	3403767	2	PWC EXT LEG 3'
3	3600735	1	VINYL MOTOR STOP ASSY
	3600726	1	MOTOR STOP BOB HVL/VL 6-10K (SEE SECTION 4.5)

4.4 #3600721 MOTOR STOP BOB VL 2-5K (2x5 tube) HL3-9K Lift

Reference	Part Number	Quantity	Description
A	5896255	2	HHCS 3/8-16 X 3
B	5840103	4	3/8-16 NYLOCK NUT
C	5896282	2	1/2-13 X 1-1/2 HHCS
D	5840105	2	1/2-13 SQ HD NUT ALUM
E	5896253	2	HHCS 3/8-16 X 2-1/2

4.5 #3600726 MOTOR STOP BOB HVL/VL 6-10K

Reference	Part Number	Quantity	Description
A	5896259	2	HHCS 3/8-16 X 4
B	5840103	4	3/8-16 NYLOCK NUT
C	5896282	2	1/2-13 X 1-1/2 HHCS
D	5840105	2	1/2-13 SQ HD NUT ALUM
E	5896253	2	HHCS 3/8-16 X 2-1/2