

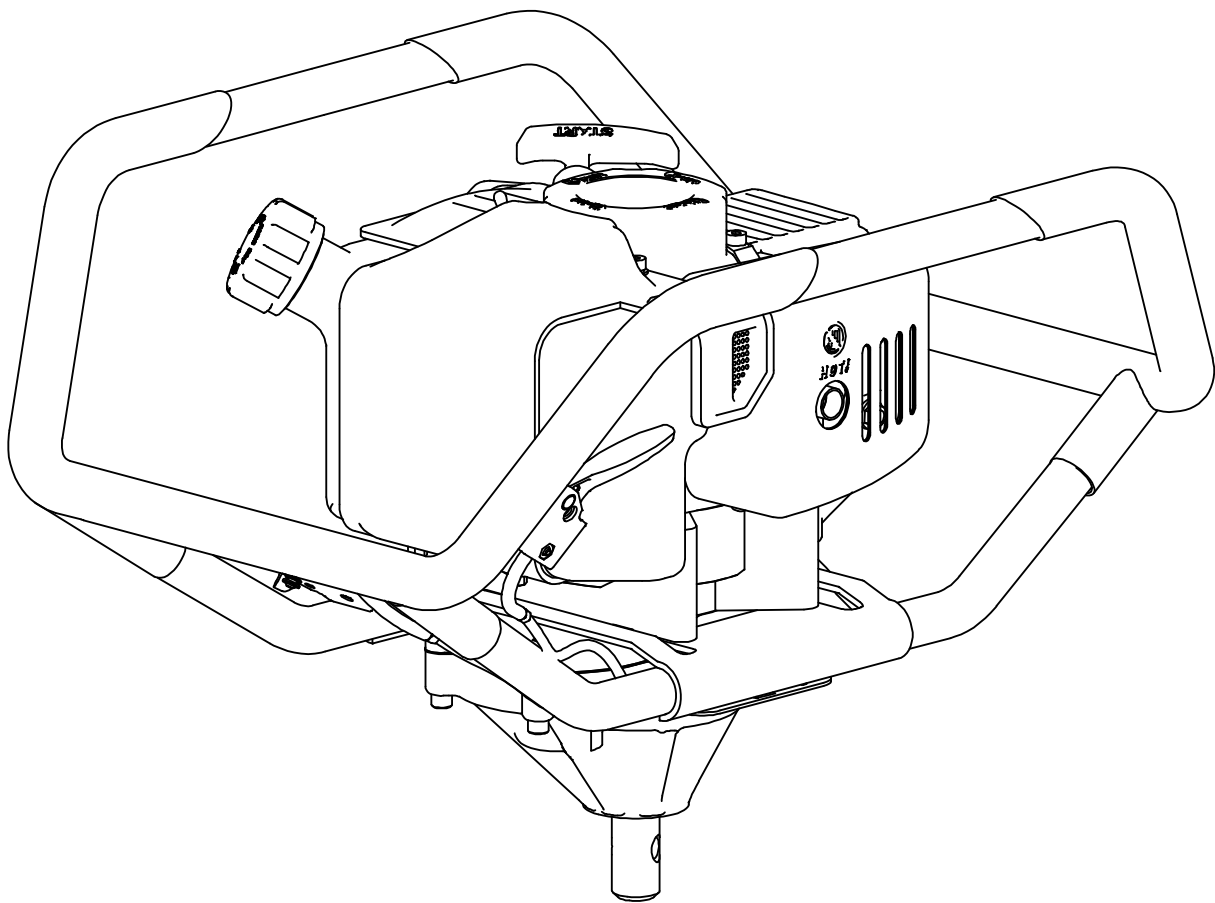


Operator's Manual  
Original Operating Instructions  
Manuel de l'utilisateur  
Manual del operador

## Dually™ Earth Auger Powerhead

Bloc moteur de tarière Dually™  
Cabezal de potencia de  
barrena para abrir agujeros  
para postes Dually™

SN



**English:** pages 2-19  
**Français:** pages 20-37  
**Español:** páginas 38-55

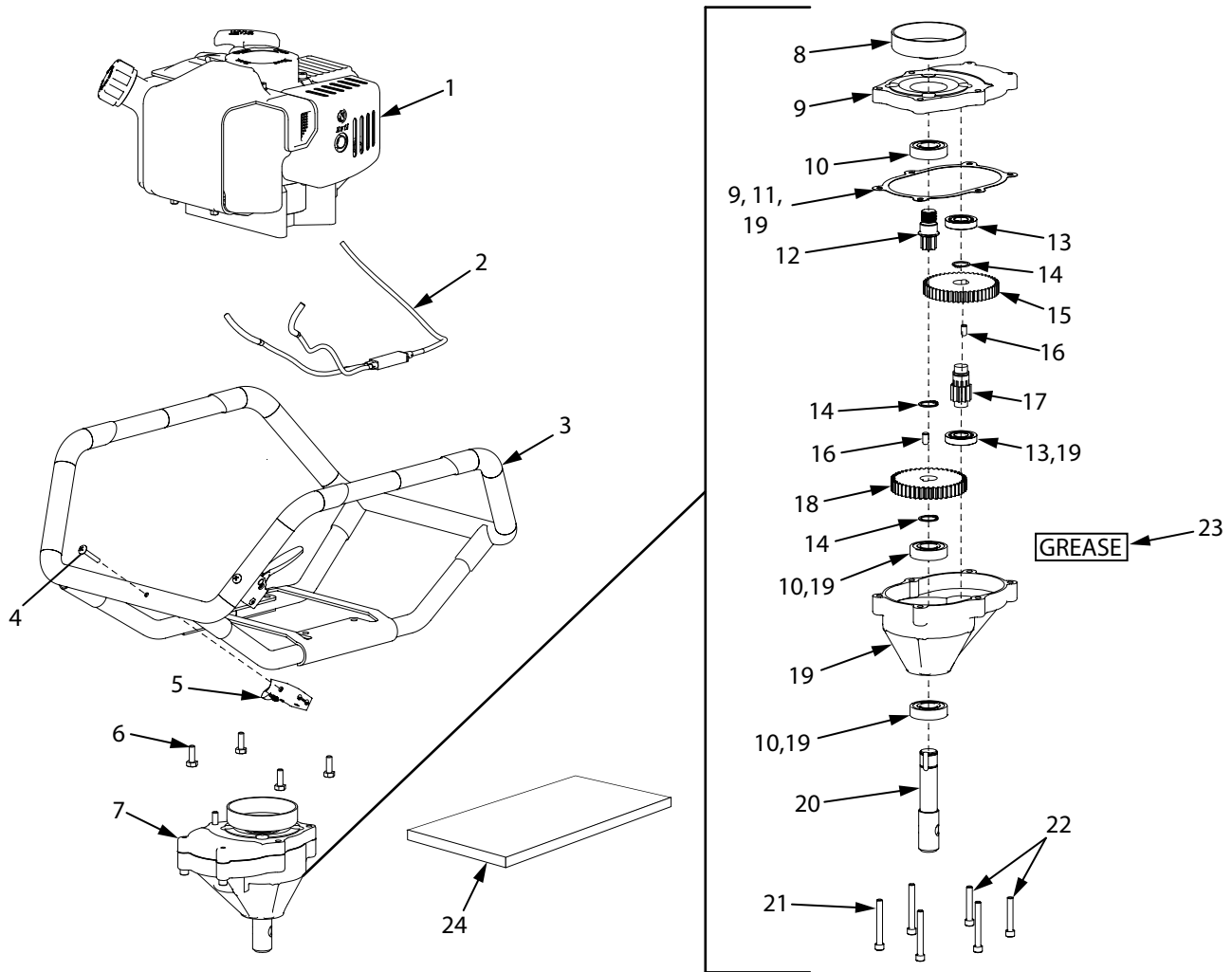
Includes Model:  
Inclut le modèle, Incluye el modelo

10310



P/N: 30051  
ECN: 11786  
REV1: 09/01/17  
© 2017 Ardisam, Inc.  
All Rights Reserved  
Tous droits réservés  
Todos los derechos reservados

## ILLUSTRATED PARTS BREAKDOWN - Powerhead and Transmission Assembly



KEY #	PART NO.	DESCRIPTION	QTY.
1	30015	ENGINE 52CC EPA, CARB, ICES-002	1
2	10473	CABLE ASSEMBLY TWO INTO ONE	1
3	4844	HANDLEBAR FOAMED DUAL STYLE	1
4	4814	BOLT 10-24 X 1-1/4 PTHMS ZN F-T	2
5	4819	ASSEMBLY TRIGGER LONG THROW W/ OUT CABLE	2
6	90148	BOLT 1/4-20 X 3/4 HH GR5 BLK ZN W/ PATCH	4
7	3004119	TRANSMISSION ASSEMBLY	1
8	3004100	CLUTCH DRUM	1
9	75300	KIT TOP CASTING	1
10	8922	BALL BEARING R12 DOUBLE LIP	3
11	8919	GASKET	1
12	9814	GEAR 7T PINION 5/8" THREADED	1

KEY #	PART NO.	DESCRIPTION	QTY.
13	8923	BALL BEARING R10	2
14	8924	SNAP RING	3
15	8914	GEAR 48T HARDENED	1
16	8915	DOWEL PIN STEEL 1/4" X 1/2"	2
17	9214A	GEAR 10T CLUSTER PINION HT	1
18	8912	GEAR 44T 3/4" HOLE	1
19	75600	KIT LOWER CASTING	1
20	8913	OUTPUT SHAFT 7/8"	1
21	8931F	BOLT 1/4-20 X 2 SHCS F-T	4
22	8929	BOLT 1/4-20 X 1-1/2 SHCS	2
23	11468	GREASE EP2 MOLY	1
24	30001	MANUAL PARTS BAG	1



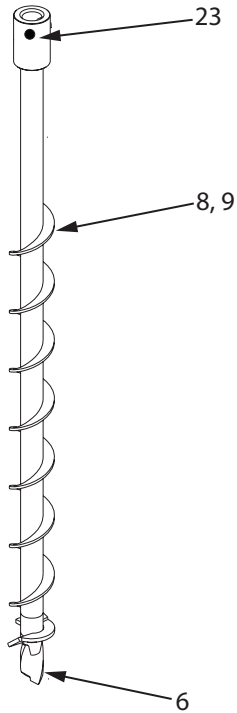
**ILLUSTRATED PARTS BREAKDOWN - Engine Assembly**

ITEM NO.	PART NO.	DESCRIPTION	QTY.
1	11350	KIT AIR FILTER ASSEMBLY	1
2	3004156	FOAM AIR FILTER ELEMENT	1
3	3004157	FILTER REINFORCEMENT PLATE	1
4	15209	BOLT M5 X 0.8 X 52 ALLEN	2
5	20718	CARBURETOR 52CC ENGINE	1
6	3004114	KIT CARBURETOR REPAIR	1
7	300479	GASKET CARBURETOR	1
8	17952	BOLT M5 X 0.8 X 28 MM SOCKET	5
9	11205	KIT INTAKE MANIFOLD	1
10	300476	GASKET INTAKE	1
11	300335	BOLT M5 X 0.8 X 20 HEX PHILIPS	2
12	11172	SPARK PLUG COIL	1
13	35906	SPARK PLUG TORCH L7RTC	1
14	300482	ENGINE SHROUD RED	1
15	17945	BOLT M5 X 0.8 X 16 MM SOCKET	1
16	300483	CAP ENGINE SHROUD BLACK	1
17	17946	BOLT M5 X 0.8 X 20 MM SOCKET	8
18	300491	CUP RECOIL CLUTCH	1
19	300429	SPACER PLATE RECOIL CLUTCH	1
20	300430	RECOIL ASSEMBLY WITH HANDLE	1
21	300492	NUT M6 X 1.0 MM HEX FLANGE	2
22	25977	KIT MUFFLER REPLACEMENT	1
23	17888	BOLT M5 X 0.8 X 12 MM SOCKET	1
24	300471	BOLT M5 X 0.8 X 12 MM PHILIPS	1

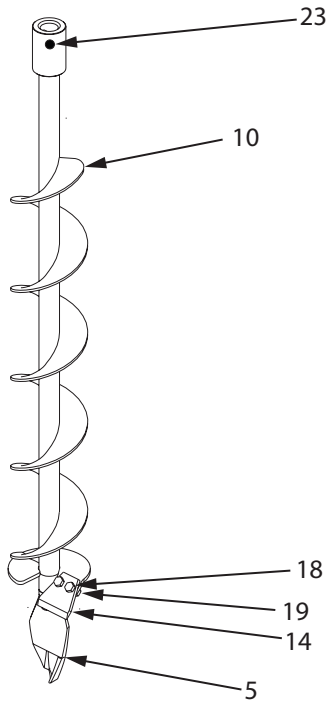
ITEM NO.	PART NO.	DESCRIPTION	QTY.
25	300475	GASKET HEAT SHIELD MUFFLER	1
26	300493	STUD M6 X 1.0X 62 MM	2
27	10683	KIT GAS TANK COMPLETE	1
28	11190	SPACER M5 X 4 MM NYLON	4
29	3004105	KIT FUEL LINES	1
30	3004103	FUEL FILTER	1
31	11189	SPACER M5 X 12 X 5 MM STEEL	2
32	11936	GAS CAP 2-WAY SELF VENTING	1
33	4647	BOLT M6 X 1.0 X 18 HEX FLANGE	4
34	10929	COVER TOGGLE SWITCH	1
35	11333	KIT ENGINE SHROUDS	1
36	300524	TOGGLE SWITCH M12 BARREL	1
37	300336	BOLT M6 X 1.0 X 10 HEX FLANGE	2
38	300338	KEY WOODRUFF 3 X 5 X 12 MM	1
39	11209	KIT FLYWHEEL	1
40	300337	NUT M8 X 1.25 MM HEX FLANGE	1
41	300462	WASHER M8 X 15.8 X 1.6 MM	2
42	300467	PIN DOWEL 5 X 12 MM STEEL	2
43	11235	KIT CLUTCH	1
44	300449	WASHER WAVE M10 X 15 X 0.25	2
45	300450	BOLT SHOULDER M8 X 1.25 X 25	2
46	3004110	MOUNT RING AND SHROUD	1
47	30030	KIT ALTITUDE 3000-6000 FT	1
48	30035	KIT ALTITUDE 6000-8000 FT	1

## ILLUSTRATED PARTS BREAKDOWN - Auger Parts List

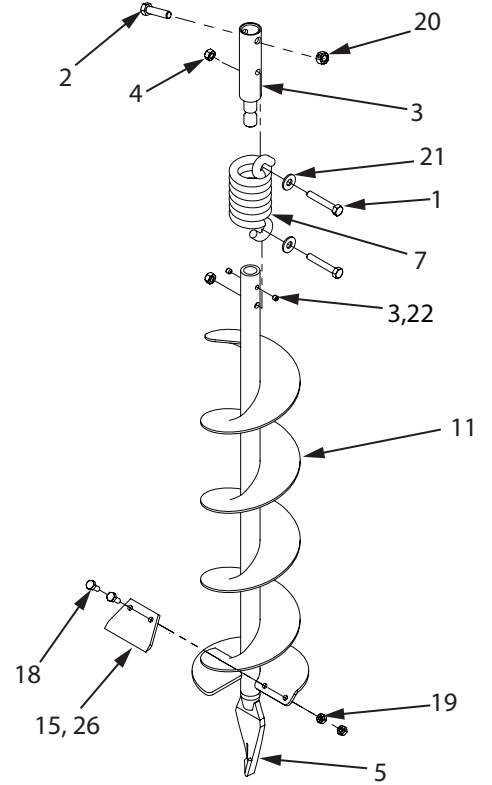
EA2F, EA3F



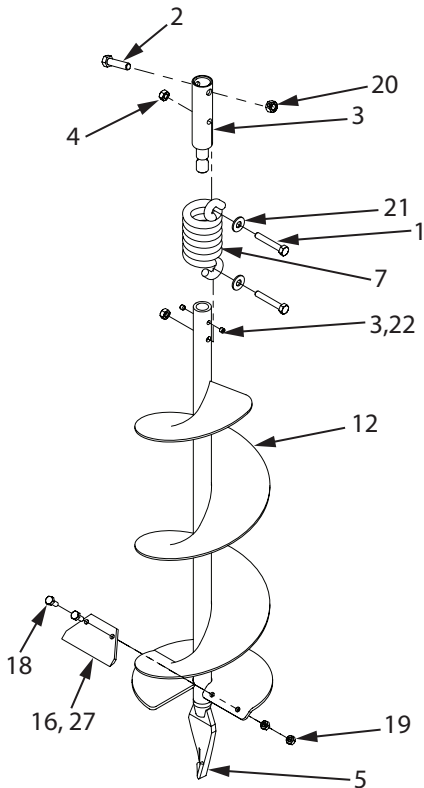
EA4F



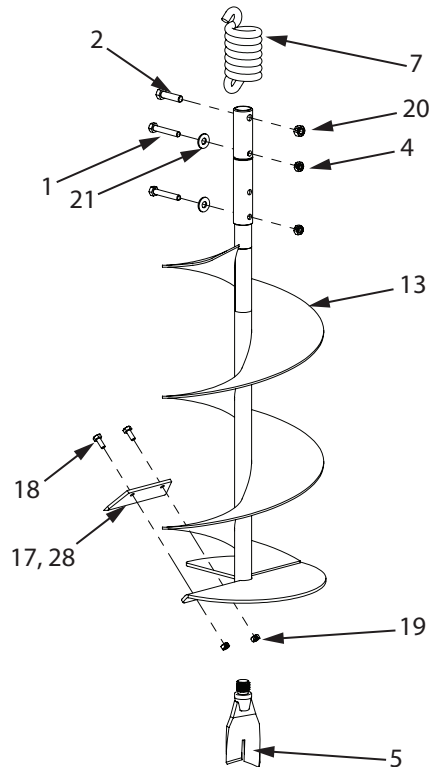
EA6F



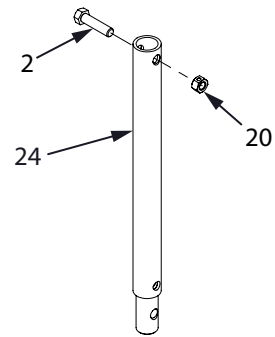
EA8F



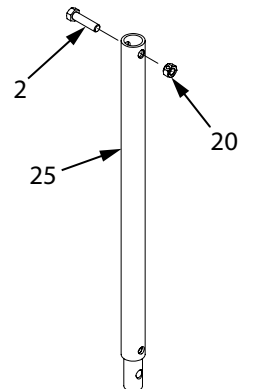
EA10F



EXT12



EXT18



**ILLUSTRATED PARTS BREAKDOWN - Auger Parts List**

KEY NO.	PART NO.	DESCRIPTION	QTY.
1	1423	BOLT-HHCS, 5/16-18 X 2", GRADE 5	2
2	1433	BOLT-HHCS, 3/8-16 X 1-1/2"	2
3	22142	SHOCK TOP 1-PC	1
4	60G56	NUT-HEX 2-WAY REVERSIBLE LOCK-NUT, 5/16-18	2
5	8958HD	FISHTAIL POINT	1
6	8970	EARTH POINT	1
7	8980	SHOCK SPRING	1
8	EA2F	EARTH AUGER, 2" W/FISHTAIL POINT	1
9	EA3F	EARTH AUGER, 3" W/FISHTAIL POINT	1
10	EA4F	EARTH AUGER, 4" W/FISHTAIL POINT	1
11	EA6F	EARTH AUGER, 6" W/FISHTAIL POINT	1
12	EA8F	EARTH AUGER, 8" W/FISHTAIL POINT	1
13	EA10F	EARTH AUGER, 10" W/FISHTAIL POINT	1
14	EB4*	EARTH BLADE, 4"	1
15	EB6*	EARTH BLADE, 6"	1
16	EB8*	EARTH BLADE, 8"	1
17	EB10*	EARTH BLADE, 10"	1
18	EBOLT	BOLT-HEX, 1/4-28 X 5/8", GRADE 5	2
19	ENUT	NUT-NYLOC, 1/4-28	2
20	2104	NUT HEX LOCKING, 3/8-16	2
21	WF516	WASHER-FLAT, 5/16"	2
22	715	SET SCREW 1/4-20 X 1/4 SCPC BLK OXIDED	2
23	8955	BOLT 3/8-16 X 1-1/4 SHCS	1
24	EXT12	DEPTH EXTENSION, 12"	1
25	EXT18	DEPTH EXTENSION, 18"	1
26	EB6HD*	HEAVY DUTY EARTH BLADE, 6"	1
27	EB8HD*	HEAVY DUTY EARTH BLADE, 8"	1
28	EB10HD*	HEAVY DUTY EARTH BLADE, 10"	1

\*Includes mounting hardware EBOLT (2) and ENUT (2)