

PARTS MANUAL



SP4 "STREET PRO"
PROFESSIONAL SLAB SAW
57 HP DEUTZ DIESEL ENGINE
MODELS
SP605716, SP605720, SP605726
SP605730, SP605736

Revision #0 (03/22/06)

THIS MANUAL MUST ACCOMPANY THE EQUIPMENT AT ALL TIMES.

**MQ SP4 “Street Pro”
Professional Slab Saw**

Proposition 65 Warning 2
 Silicosis/Respiratory Warnings 3
 Table Of Contents 4
 Parts Ordering Procedures 5
 Explanation Of Codes In Remarks Column 6
 Suggested Spare Parts 7

Water Pump Kit Assembly 74-75
 Glow Plug Kit Assembly 76-77
 Blad shaft Seal Kit Assembly 78-79
 Bushing Extension Kits Assembly 80-81
 Engine Block Heater Assembly (Option) 82-83
 Collar/Flange Puller Assembly (Option) 84-85
 Seal Sleeve Puller Assembly 86-87
 Seal Sleeve Puller Assembly 88-89

Component Drawings

Deck/Gauge Panel Assembly 8-9
 Nameplate and Decals Assembly 10-11
 Access Panel Assembly 12-13
 Fuel Tank Assembly 14-15
 Lift Pump Circuit Assembly 16-17
 F-N-R Control Handle Assembly 18-19
 Joystick Mounting Assembly 20-21
 Water System Assembly 22-23
 Pulley and V-Belt Assembly 24-25
 Depth Stop Meter/Cable Assembly 26-27
 Depth Stop Cylinder/Valve Assembly 28-29
 Belt Guard 30-31
 Engine Assembly 32-33
 Air Intake Hose Assembly 34-35
 Muffler Kit Assembly 36-37
 Engine Mounting 38-39
 Pointer Assembly 40-41
 Gauges and Controls Assembly 42-43
 Battery Assembly 44-45
 Front Axle Assembly 46-47
 Drive Assembly 48-49
 Blad shaft and Mounting Assembly 50-51
 Light Connector/Dash Panel Assembly 52-53
 Engine Guard Assembly 54-55
 Blade Guard Mount/ Wiper Assembly 56-57
 Lower Belt Guard Assembly 58-59
 Handle and Light Assembly 60-61
 Rear Point and Foot Rest Assembly 62-63
 Console Mounting Assembly 64-65
 Cable Mount Assembly 66-67
 Optional Flange Guard Assembly 68-69
 Blade Guard Assembly 70-71
 Wiring Harness/Circuit Breaker Assembly 72-73

SP-6057 CONCRETE SAW — SUGGESTED SPARE PARTS

SP-6057 CONCRETE SAW

1 to 5 Units

Qty.....	P/N	Description
1	345008	Coupler, Splined
1	446010	Valve, Cartridge
1	560028-5	Switch Assembly
1	521004	V-Belt (16", 20" and 26" only)
1	521001	V-Belt (30" and 36" only)
1	521007	V-Belt All Models
2	520007	5G 3VX 530 drive belt
1	300008	Primary Air Filter Element
1	300009	Safety Air Filter Element
1	306006	Transaxle Hydraulic Filter
2	500009	Wheel, Rear Axle
2	582038	Bushing, Rear Wheel
2	180003	Outer Flange
2	180004	Inner Flange
1	582012	Bushing, Flange
1	915316	Screw, HHC 5/8-11 x 3 LH Gr8
1	915315	Screw, HHC 5/8-11 x 3 RH Gr8
1	577009	Gasket, Drain Plug
1	306012	Engine Oil Filter, Deutz
1	304010	Engine Fuel Filter, Deutz
1	362002	Tube, B.G. Water Delivery R.H.
1	362003	Tube, B.G. Water Delivery L.H.
1	25643	Relief Check Valve

SP-6057 CONCRETE SAW — DECK/GAUGE PANEL ASSY.

DECK/GAUGE PANEL ASSY.

<u>NO</u>	<u>PART NO</u>	<u>PART NAME</u>	<u>QTY.</u>	<u>REMARKS</u>
1	600151	GAUGE PANEL, 6000 SERIES	1	
2	600152	DECK PANEL, 6000 SERIES	1	

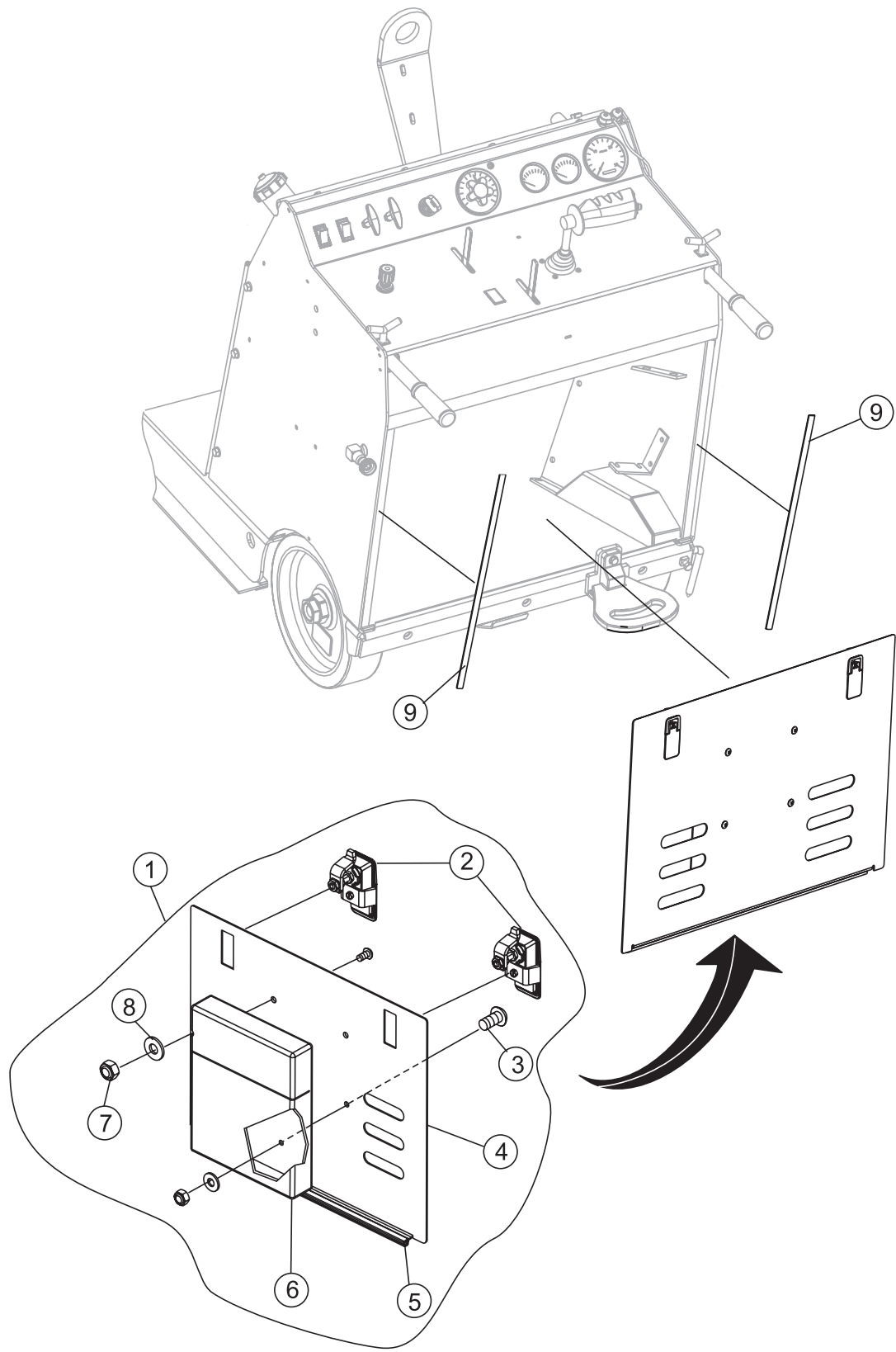
SP-6057 CONCRETE SAW — NAMEPLATE AND DECALS ASSY.

NAMEPLATE AND DECAL ASSY.

<u>NO</u>	<u>PART NO</u>	<u>PART NAME</u>	<u>QTY.</u>	<u>REMARKS</u>
1	25250-001	DECAL, WARNING, KEEP FEET CLEAR	2	
2	606004	DECAL, BLADE GUARD REMOVAL	2	
3	25782	DECAL, MQ DIAMOND LOGO	4	
4	21302	DECAL, WARNING, INSTALL BLADE GUARD	1.....	REPLACES P/N 606004
5	TBD	DECAL, SP4 LOGO	2	
6	13118	DECAL, POWDER COATED	1	
7	35137	DECAL, WARNING, READ MANUAL	1	
8		DECAL, NAMEPLATE	1.....	CONTACT MQ PARTS DEPT.
9	M600002	DECAL, DIESEL FUEL ONLY	1	
10	22122-001	DECAL, WARNING, SERIOUS INJURY	1	
11	25249-001	DECAL, WARNING, KEEP HANDS CLEAR	2	
12	23330-001	DECAL, CAUTION, DRIVE BELT	1	
13	25491	DECAL, ROTATION, CW	1	
14	20525	DECAL, WARNING, PROPOSITION 65	1	
15	604001	DECAL, WARNING, INSTALL BELT GUARD	1	
16	25678	DECAL, ROTATION, CCW	1	

SP-6057 CONCRETE SAW — ACCESS PANEL ASSY.

ACCESS PANEL ASSY.



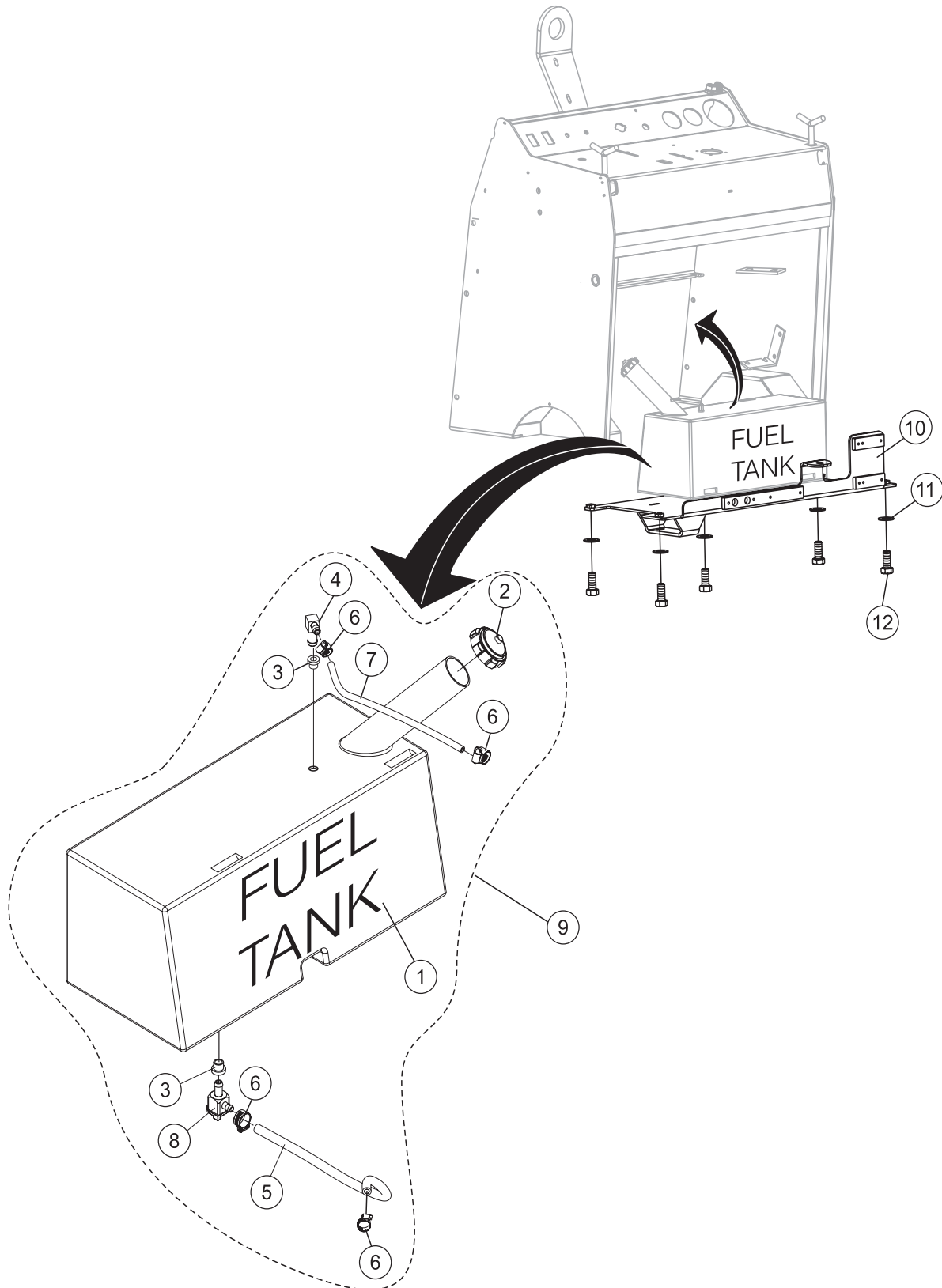
SP-6057 CONCRETE SAW — ACCESS PANEL ASSY.

ACCESS PANEL ASSY.

<u>NO</u>	<u>PART NO</u>	<u>PART NAME</u>	<u>QTY.</u>	<u>REMARKS</u>
1	102039	PANEL ASSY., REAR CONSOLE, RED	1	INCLUDES ITEMS W/*
2*	560020	LATCH, REAR SAW ACCESS PANEL	2	
3*	12287	SCREW, THP 1/4-20 X 3/4" SS	4	
4*	102039-1	PANEL, REAR CONSOLE 6000, RED	1	
5*	577002	WEATHER STRIP, REAR SAW ACCESS PANEL	1.75 FT.	
6*	29057	DOCUMENT BOX, CP90007-07	1	
7*	10024	NUT, NYLOCK 1/4-20	4	
8*	10930	WASHER, FENDER, 1/4 X 1-1/4"	4	
9	29093	GASKET, TRIMLOCK X-109BT	2	

SP-6057 CONCRETE SAW — FUEL TANK ASSY.

FUEL TANK ASSY.



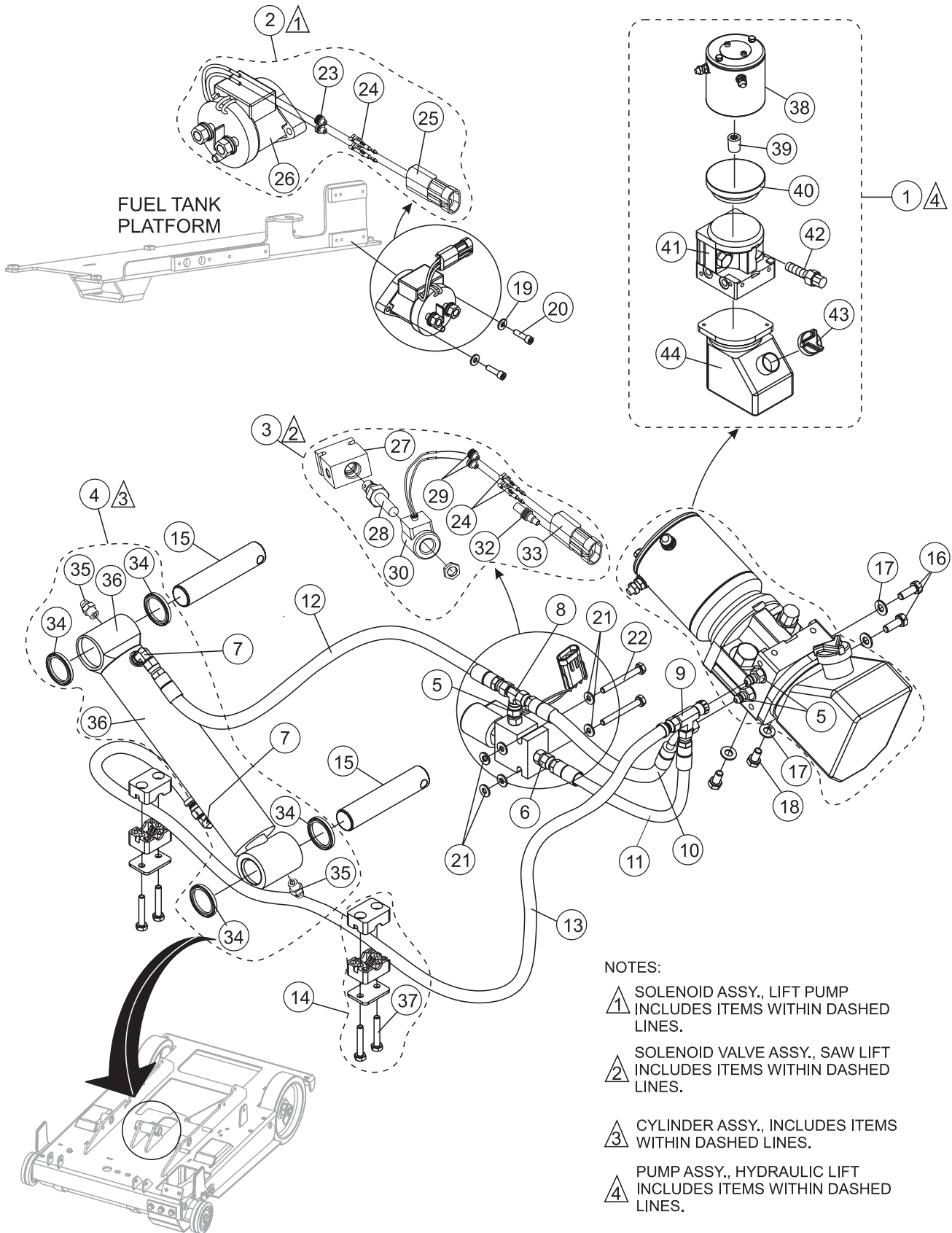
SP-6057 CONCRETE SAW — FUEL TANK ASSY.

FUEL TANK ASSY.

<u>NO</u>	<u>PART NO</u>	<u>PART NAME</u>	<u>QTY.</u>	<u>REMARK</u>
1*	140004	FUEL TANK, 6000 & 6400 10 GAL	1	
2*	29509	CAP, FUEL TANK 2.25 DIA, ONE WAY VALVE	1	
3*	19633	BUSHING, RUBBER FUEL DAPCO 10672	2	
4*	368006	FITTING, FUEL 90 DEG. #4 X #6 BARB	1	
5*	35009	HOSE, 22.5" - 5/16" FUEL LINE	1	
6*	19473	CLAMP, HOSE WORM # 2	4	
7*	35007	HOSE, 26.5" - 1/4" FUEL LINE	1	
8*	446025	VALVE, FUEL ON/OFF	1	
9	25553	FUEL TANK ASSY.....	1	INCLUDES ITEMS W/*
10	102041	PLATFORM W/A SAW FUEL TANK	1	
11	933242	WASHER, FLAT SAE 3/8" GRADE 9	5	
12	0166	SCREW, HHC 3/8-16" X 7/8"	5	

SP-6057 CONCRETE SAW — LIFT PUMP CIRCUIT ASSY.

LIFT PUMP CIRCUIT ASSY.



NOTES:

- ① SOLENOID ASSY., LIFT PUMP INCLUDES ITEMS WITHIN DASHED LINES.
- ② SOLENOID VALVE ASSY., SAW LIFT INCLUDES ITEMS WITHIN DASHED LINES.
- ③ CYLINDER ASSY., INCLUDES ITEMS WITHIN DASHED LINES.
- ④ PUMP ASSY., HYDRAULIC LIFT INCLUDES ITEMS WITHIN DASHED LINES.

SP-6057 CONCRETE SAW — LIFT PUMP CIRCUIT ASSY.

LIFT PUMP CIRCUIT ASSY.

<u>NO</u>	<u>PART NO</u>	<u>PART NAME</u>	<u>QTY.</u>	<u>REMARK</u>
1	340010	PUMP ASSY., HYDRAULIC LIFT	1	INCLUDES ITEMS W/>
2	35255	SOLENOID ASSY., LIFT PUMP	1	INCLUDES ITEMS W/*
3	446009	SOLENOID VALVE ASSY., SAW LIFT	1	INCLUDES ITEMS W/#
4	25542	CYLINDER ASSY., SAW LIFT	1	INCLUDES ITEMS W/%
5	21095	FITTING, STR 4MJ - 4MO	3	
6	25758	FITTING, ORIFICE 4MJ - 4MO X .026	1	
7	368817	FITTING, 90 4MJ - 4MO	2	
8	25941	FITTING BRANCH TOP SWIVEL 4MJ - 4MJ - 4FJ	1	
9	366690	FITTING, TEE RUN 4MJ - 4MJ - 4FJ	1	
10	35001	HOSE ASSY. 13.2" #4HP W/370821/370895	1	
11	35002	HOSE ASSY. 13.7" #4HP W/370821/370821	1	
12	35003	HOSE ASSY. 19.7" #4HP W/370821/370821	1	
13	35008	HOSE ASSY., 63.5" #4LP W/370670/370895	1	
14	570050	CLAMP ASSY., #4 SINGLE HOSE	2	INCLUDES ITEMS W/+
15	169000	PIN, CYLINDER ROD END	2	
16	06500-007	SCREW, HHC 5/16-18 x 7/8	2	
17	933241	WASHER, FLAT SAE 5/16 GRD 9 YZ	4	
18	4683	SCREW, HHC 5/16-18 X 5/8	2	
19	2203	WASHER, FLAT, #10	2	
20	923186	SCREW, SHC 12-24 X 3/4	2	
21	933240	WASHER, FLAT SAE 1/4 GRD 9 YZ	6	
22	2508	SCREW, HHC 1/4-20 x 2-1/4	2	
23*	12171	SEAL, WEATHERPACK, 16-18 GA GREEN	2	
24*#	12179	TERMINAL, WEATHERPACK , MALE 14-16 GA	4	
25*	12176	CONNECTOR, WEATHERPACK 2 PIN MALE	1	
26*	25628	SOLENOID, LIFT PUMP	1	
27#	444014	CATRIDGE BODY	1	
28#	446010	VALVE CARTRIDGE	1	
29#	405070	SEAL, WEATHERPACK, 20-22 GA RED	2	
30#	446029	COIL, 12 VDC CARTRIDGE VALVE	1	
32#	405035	PLUG-SEAL WEATHER PACK GREEN	1	
33#	405066	CONNECTOR, WEATHERPACK 3 PIN MALE	1	
34%	480003	SEAL, OIL CR #9815	4	
35%	2621	FITTING, GREASE ZERK STR. 1/4-28	2	
36%	447005	CYLINDER LIFT, 1.75 X 4.120	1	
37+	5277	HHC 1/4-20 X 1-1/2	4	
38>	340030	1200 WATT MOTOR ASSY.	1	
39>	345006	SPLINED COUPLER	1	
40>	25659	ADAPTER	1	
41>	25660	HYDRAULIC PUMP	1	
42>	25643	RELIEF CHECK VALVE	1	
43>	147006	FENNER SMALL FILLER CAP	1	
44>	144010	.5L MICROPACK TANK	1	

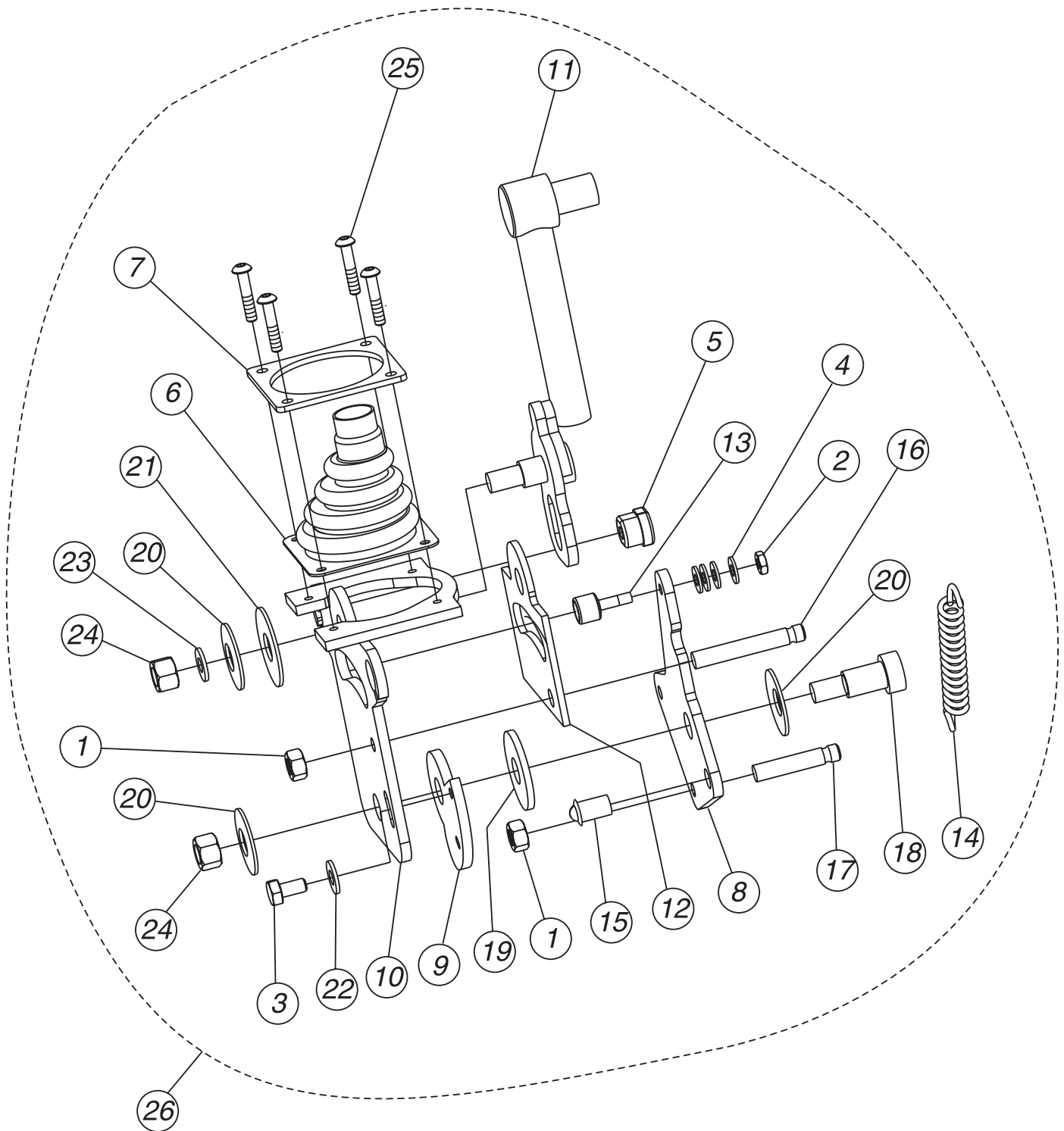
SP-6057 CONCRETE SAW — F-N-R CONTROL AND HANDLE ASSY.

F-N-R CONTROL AND HANDLE ASSY.

<u>NO</u>	<u>PART NO</u>	<u>PART NAME</u>	<u>QTY.</u>	<u>REMARK</u>
1%	560030	F-N-R CONTROL HANDLE ASSY.	1	INCLUDES ITEMS W/*
2*%	560028-6	SCREW, #6-32 X 3/8	5	
3*%	5600028-8	WASHER, FLAT #4 NYLON	5	
4*%	560028-4	RUBBER BOOT	2	
5*%	560028-3	PLATE, SIDE SWITCH	1	
6*%	560028-5	SWITCH ASSEMBLY	2	
7*%	560028-1	HANDLE HOUSING	1	
8*%	60118	WIRE, F-N-R	1	
9*%	925381	SCREW, SET 1/4-20 X 3/8	1	
10*%	560028-2	PLATE, FRONT SWITCH	1	
12	25627	F-N-R CONTROL ASSY.	1	INCLUDES ITEMS W/%
13%	405070	SEAL, WEATHERPACK, RED	4	
14%	12223	TERMINAL WEATHERPACK	4	
15%	405046	CONNECTOR, TERMINAL, MALE	4	
16	6904	NUT, HEX FINISH 1/4-28 ZINC	4	
17	580001	ROD END, 1/4-20 FEMALE RH	2	
18	440006	CABLE, CONTROL 40" X 2" STROKE	1	
19	120077	MOUNT W/A TRANSAXLE CTRL. CABLE	1	
20	565006	SPRING, CTRL. CABLE TENSIONING	1	
21	915003	SCREW, HHC 1/4-20 X 3/4 GRD. 8	1	
22	584044	RETAINER, FNR CABLE SPRING	1	
23	2295	SCREW, HHC 1/4-20 X 7/8	1	
24	440005	PLATE, F-N-R PINTLE CONTROL	1	
25	933240	WASHER, FLAT SAE 1/4" GRD. 9	1	

SP-6057 CONCRETE SAW — JOYSTICK MOUNTING ASSY.

JOYSTICK MOUNTING ASSY.



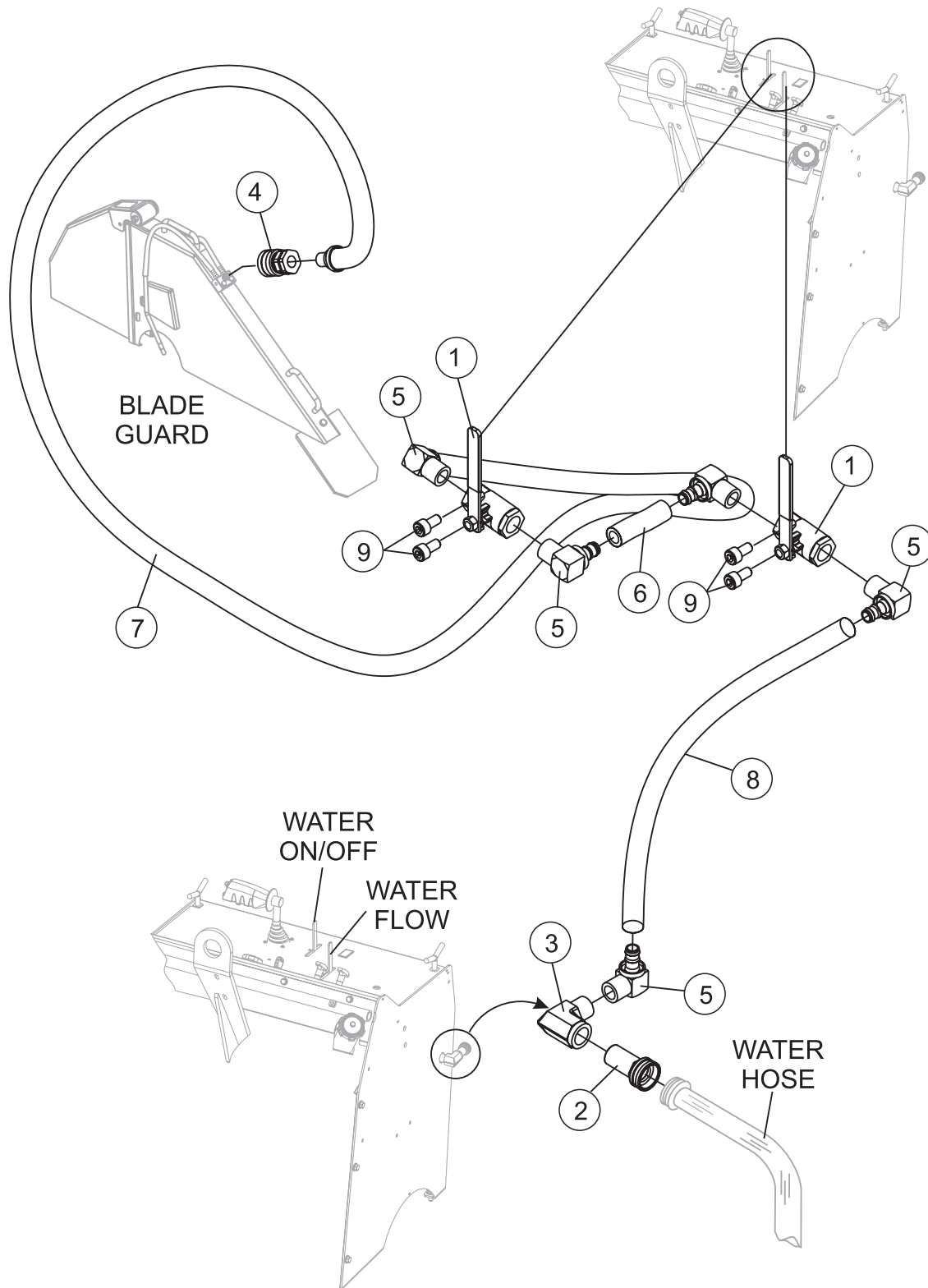
SP-6057 CONCRETE SAW — JOYSTICK MOUNTING ASSY.

JOYSTICK MOUNTING ASSY.

<u>NO</u>	<u>PART NO</u>	<u>PART NAME</u>	<u>QTY.</u>	<u>REMARK</u>
1*	0161D	NUT, HEX FINISH 5/16-18	2	
2*	10019	NUT, FYLOC #10-32	1	
3*	1579	SCREW. JJC 1/4-20 X .5	1	
4*	2203	WASHER, FLAT, #10	4	
5*	405053	CORD GRIP, SAW FNR CONTROL	1	
6*	442005-6	BOOT, FNR CONTROL HANDLE	1	
7*	442006-3	SPACER, F-N-R	1	
8*	442011	BELLCRANK, SAW F-N-R	1	
9*	442012	PLATE, NEUTRAL DETENT	1	
10*	442013	F-N-R MOUNTING PLATE	1	
11*	442021	CONTROL LEVER	1	
12*	442022	SPACER, F-N-R DELRIN	1	
13*	460018	CAM ROLLER, SAW FNR CONTROL	1	
14*	565005	EXTENSION SPRING F-N-R CONTROL	1	
15*	584021	DENTENT BALL, SAW FNR CONTROL	1	
16*	584023	PIN, LONG SPRING HANGER	1	
17*	584024	PIN, SHORT SPRING HANGER	1	
18*	926348	SCREW, SHOULDER 3/8-16 X 3/4	1	
19*	933015	FRICTION DISC, SAW F-N-R	1	
20*	933073	1/2 X 1-1/4 BELLEVILLE WASHER	3	
21*	933225	WASHER, FENDER 1/2 X 1-1/2 ZINC	1	
22*	933240	WASHER, FLAT 1/4 SAE	1	
23*	933242	WASHER, FLAT 3/8 SAE	1	
24*	938062	LOCKNUT 3/8-16 YZ	2	
25*	973735	SCREW, BHSC 10-24X1-SS	4	
26	35122	F-N-R MOUNTING ASSY.	1	INCLUDES ITEMS W/*

SP-6057 CONCRETE SAW — WATER SYSTEM ASSY.

WATER SYSTEM ASSY.



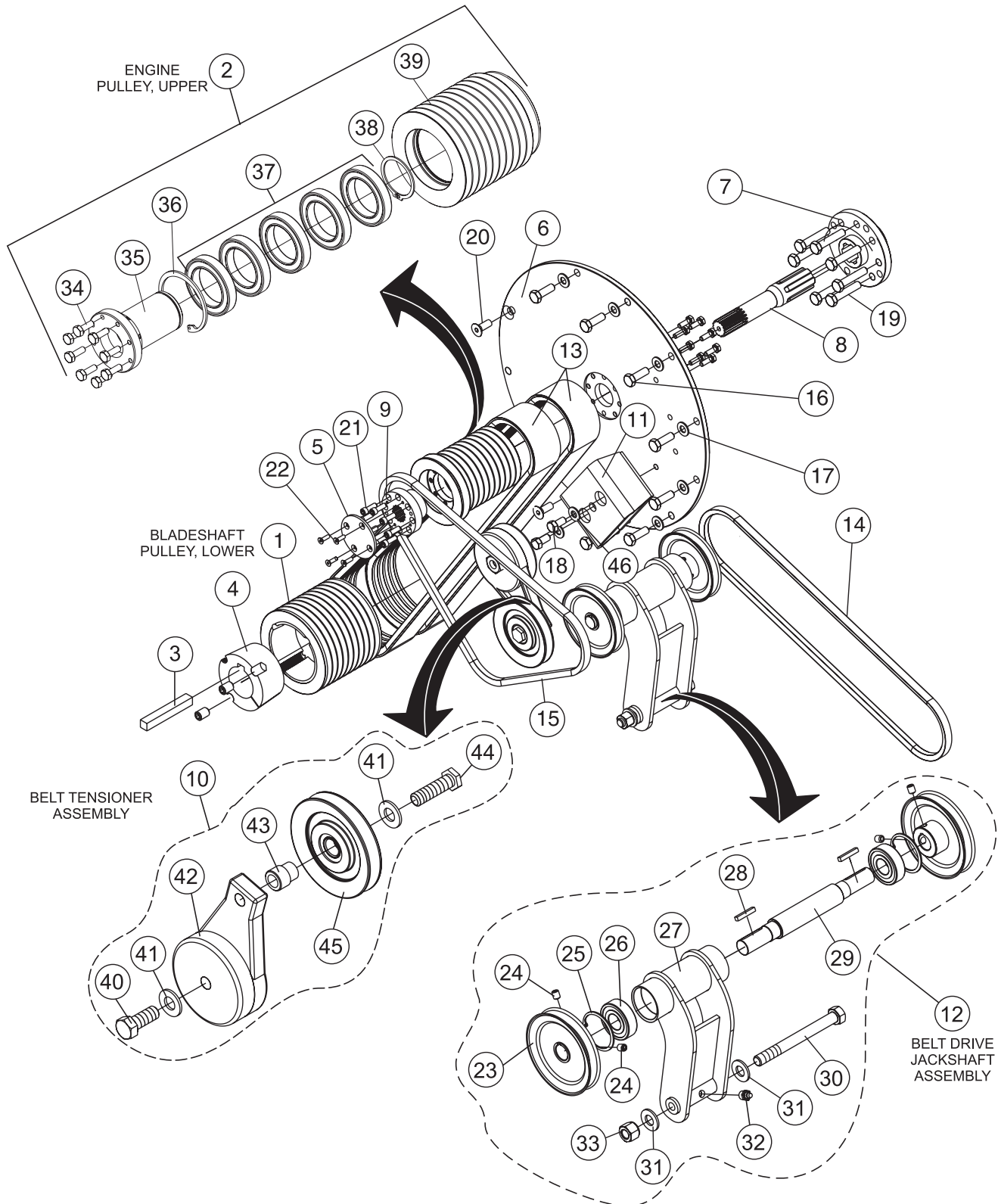
SP-6057 CONCRETE SAW — WATER SYSTEM ASSY.

WATER SYSTEM ASSY.

<u>NO</u>	<u>PART NO</u>	<u>PART NAME</u>	<u>QTY.</u>	<u>REMARKS</u>
1	446004	VALVE, BALL, 1/2 BRASS	2	
2	25827	FITTING, BRASS (F) 3/4 GHT SWIVEL 1/2 MNPT	1	
3	26496	FITTING, 90 1/2MP- 1/2FP	1	
4	320009	FITTING, QD FEM SNAPTITE PHC4 - 4F	1	
5	25931	FITTING, 90 8BARB - 1/2 MP (4390-8-8)	4	
6	35087	HOSE, 3.25" #8LP	1	
7	35085	HOSE, ASM 114.3" #8LP W/25932/25931	1	
8	35086	HOSE, 17" #8LP	1	
9	923143	SCREW, SHC 10-24 x 3/8"	4	

SP-6057 CONCRETE SAW — PULLEY AND V-BELT ASSY.

PULLEY AND V-BELT ASSY.



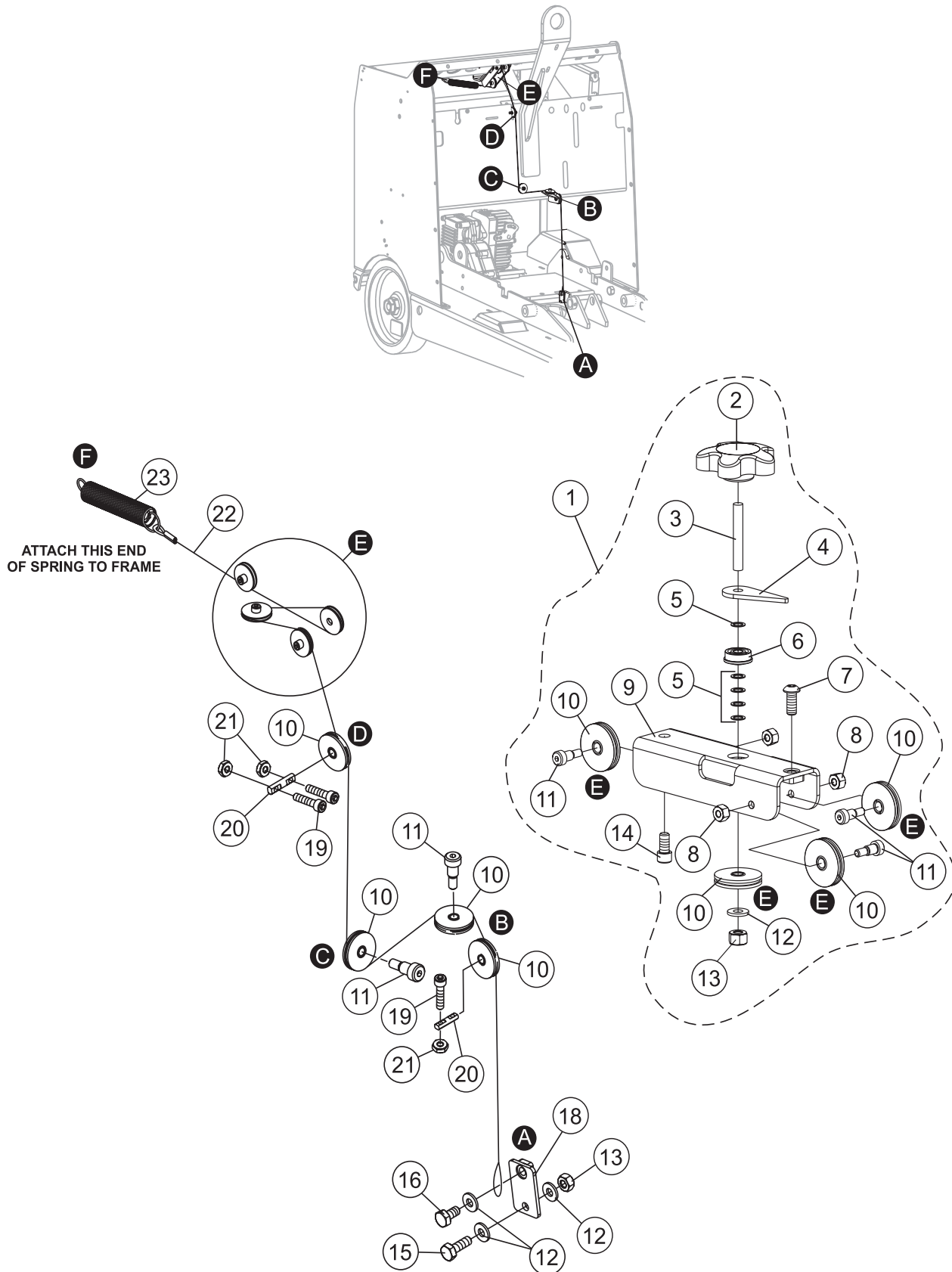
SP-6057 CONCRETE SAW — PULLEY AND V-BELT ASSY.

PULLEY AND V-BELT ASSY.

NO	PART NO	PART NAME	QTY.	REMARKS
1	540046	PULLEY, BLADESHAFT 3V 4.2 10G	1	16" BLADE
1	540035	PULLEY, BLADESHAFT 3V 4.7 10G	1	20" BLADE
1	540041	PULLEY, BLADESHAFT 3V 5.0 10G	1	26 & 30" BLADE
1	540041	PULLEY, BLADESHAFT 3V 5.3 10G	1	30" BLADE
1	540047	PULLEY, BLADESHAFT 3V 5.6 10G	1	36" BLADE
2	25630	PULLEY, ENGINE ASSY.	1	16" BLADE, INCLUDES ITEMS W/#
2	25635	PULLEY, ENGINE ASSY.	1	20" BLADE, INCLUDES ITEMS W/+
2	25556	PULLEY, ENGINE ASSY.	1	26, 30 & 36" BLADES, INCLUDES ITEMS W/%
3	10057-061	KEY, 1/2" SQ X 3-1/2"	1	
4	460023	BUSHING, TAPER-LOCK 2012 X 1-7/8	1	16" BLADE ONLY
4	460016	BUSHING, TAPER-LOCK 2517 X 1-7/8	1	20, 26, 30 & 36 BLADES
5	544004	CAP, SAW PTO	1	
6	261002-1	ADAPTER PLATE, DEUTZ ENGINE	1	
7	544005	FLANGE, SPLINED, DRIVE	1	
8	544006	SHAFT, SPLINED, PRIMARY SAW DRIVE	1	
9	544008	FLANGE, SPLINED, DRIVEN	1	
10	25557	BELT TENSIONER ASSY.	1	INCLUDES ITEMS W/@
11	120232	MOUNT W/A, BELT TENSIONER	1	
12	13016	BELT DRIVE JACKSHAFT ASSY.	1	INCLUDES ITEMS W/\$
13	520007	V-BELT, 5G 3 VX 530 MATCHMAKER	2	ALL MODELS
14	521007	V-BELT, AX-42	1	ALL MODELS
15	521004	V-BELT, AX-38	1	16", 20" AND 26" ONLY
15	521011	V-BELT, AX-39	1	30" AND 36" BLADES
16	940694	SCREW, HHC M10-1.5x30MM FT 10.9 NP	8	
17	933245	WASHER, FLAT SAE 9/16 GRD 9 YZ	8	
18	915103	SCREW, HHC 3/8-16x3/4 GR8 YZ	2	
19	938422	SCREW, HHC M10-1.0x50MM 10.9 NP	8	
20	939978	SCREW, FHSC M10-1.5 x 25MM NP	3	
21	923203	SCREW, SHC 1/4-20 x 3/4	8	
22	924200	SCREW, FHSC 10-24 x 5/8 NP	4	
23\$	540030	PULLEY, 4.125 x .750 1A	2	
24\$	925437	SCREW, SHS,CP 5/16-18 x 3/8	4	
25\$	576003	SNAP RING - HO-185	2	
26\$	460021	BEARING, ROLLER # 6204 2RS	2	
27\$	106097	JACKSHAFT ARM W/A	1	
28\$	584013	KEY, 3/16 SQ x 1.0	2	
29\$	167005	JACKSHAFT, SAW BELT DRIVE	1	
30\$	10307	SCREW, HHC 1/2-13 X 5	1	
31\$	933244	WASHER, FLAT SAE 1/2 GRD 9 YZ	2	
32\$	960102	FITTING, GREASE ZERK STR 1/8 MP	1	
33\$	10176	NUT, NYLOC 1/2-13	1	
34#+%	915003	SCREW, HHC 1/4-20 x 3/4 GRD 8	8	
35#+%	544007	BEARING SUPPORT, CONCRETE SAW PTO	1	
36#+%	576013	SNAP RING, HO 268	1	
37#+%	460022	BEARING, 6909 2RS	5	
38#+%	576014	SNAP RING, SH 177	1	
39#	540063	PULLEY, 4.45 10G 3V X 4.0 1A	1	16" MODEL
39+	540062	PULLEY, 4.1 10G 3V X 4.0 1A	1	20" MODEL
39%	540058	PULLEY, 3.6 10G 3V X 4.0 1A	1	26, 30 & 36" MODELS
40@	3214	SCREW, HHC 1/2-13 X 1 1/4	1	
41@	933244	WASHER, FLAT SAE 1/2 GRD 9 YZ	2	
42@	448000	TENSIONER, IDLER ARM	1	
43@	544001	ADAPTOR, SHOULDER, FENNER DRIVE	1	
44@	25716	SCREW, MODIFIED 1/2-13 X 1 3/4	1	
45@	540003	PULLEY, W/BRG. 4" A SECTION	1	
46	933242	WASHER, FLAT SAE 3/8 GRD 9 YZ	2	

SP-6057 CONCRETE SAW — DEPTH STOP METER/CABLE ASSY.

DEPTH STOP METER/CABLE ASSY.



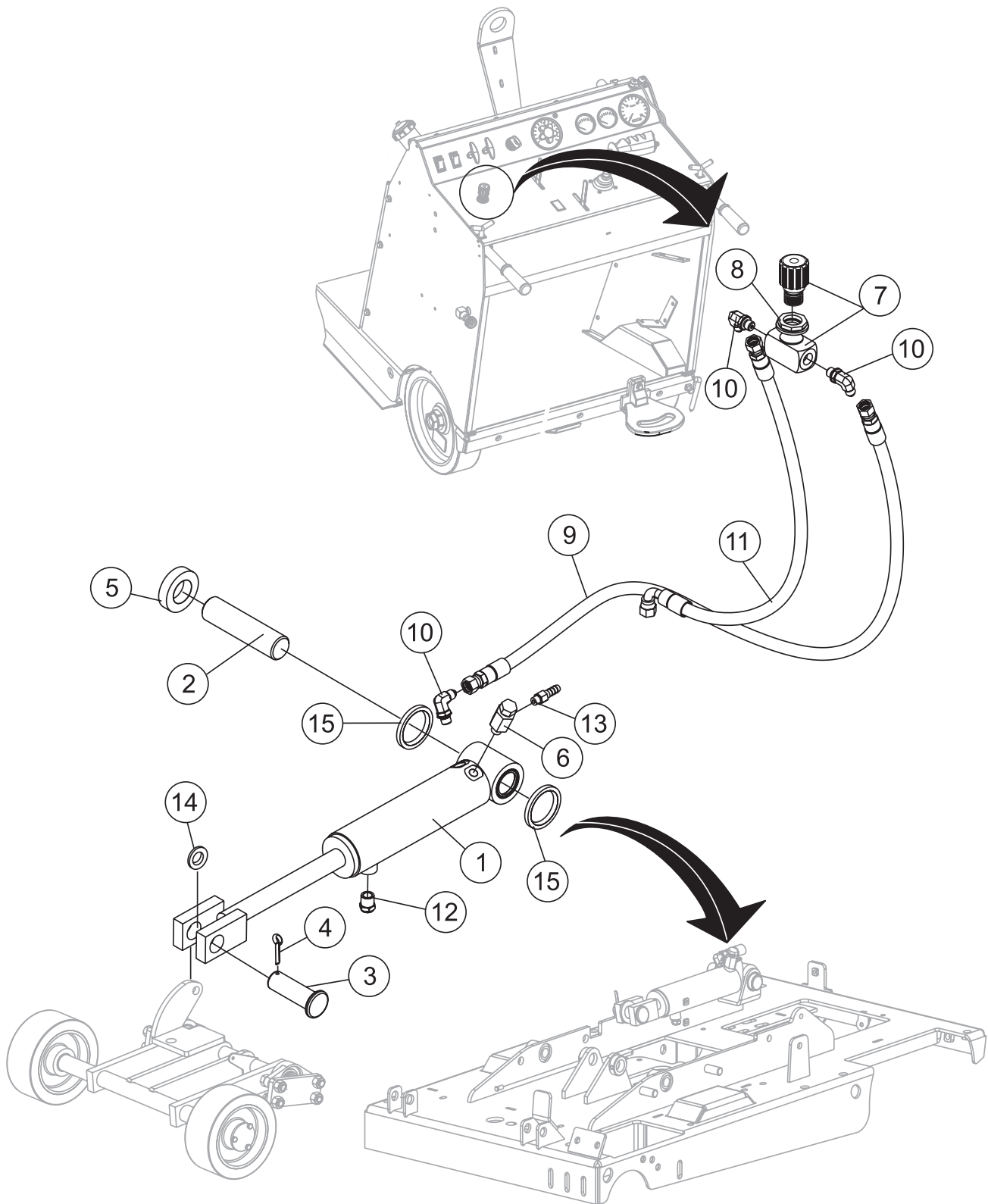
SP-6057 CONCRETE SAW — DEPTH STOP METER/CABLE ASSY.

DEPTH STOP METER/CABLE ASSY.

NO	PART NO	PART NAME	QTY.	REMARKS
1	25538	DEPTH METER ASSY.	1	INCLUDES ITEMS W/*
2*	560025	KNOB, SAW DEPTH INDICATOR	1	
3*	584025	STUD, 1/4-20X1 3/4" B7 NO PLATE	1	
4*	110031	POINTER, CONCRETE SAW DEPTH	1	
5*	583059	SHIM, 0.375 OD x 0.251 ID x 0.020 THICK	5	
6*	460019	FLANGE BEARING, 0.25 ID X 0.75 OD	1	
7*	973752	SCREW, BHSC, 1/4-20 x 5/8 SS	1	
8*	1618	NUT, NYLOC 10-24	3	
9*	125039	U-BRACKET W/A, SAW DEPTH INDICATOR	1	
10*	540011	PULLEY, CABLE 1.25 OD	8	
11*	926149	SCREW, SHDLR 1/4D X 5/16L , 10-24, SCKT HD	6	
12*	933240	WASHER, FLAT SAE 1/4 GRD 9 YZ	4	
13*	10024	NUT, NYLOC 1/4-20	2	
14*	923201	SCREW, SHC 1/4-20 x 1/2	1	
15	0131 A	SCREW, HHC 1/4-20 X 3/4	1	
16	1579	SCREW, HHC 1/4-20 x 1/2	1	
18	120243	TAB W/A, DEPTH INDICATOR	1	
19	923116	SCREW, SHC 8-32 x 3/4	2	
20	160013	AXLE, INDICATOR SHEAVE	1	
21	13287	NUT, NYLOC 8-32	2	
22	440012	CABLE, DEPTH INDICATOR	1	
23	565004	SPRING, EXTENSION, DEPTH INDICATOR	1	

SP-6057 CONCRETE SAW — DEPTH STOP CYLINDER/VALVE ASSY.

DEPTH STOP CYLINDER/VALVE ASSY.



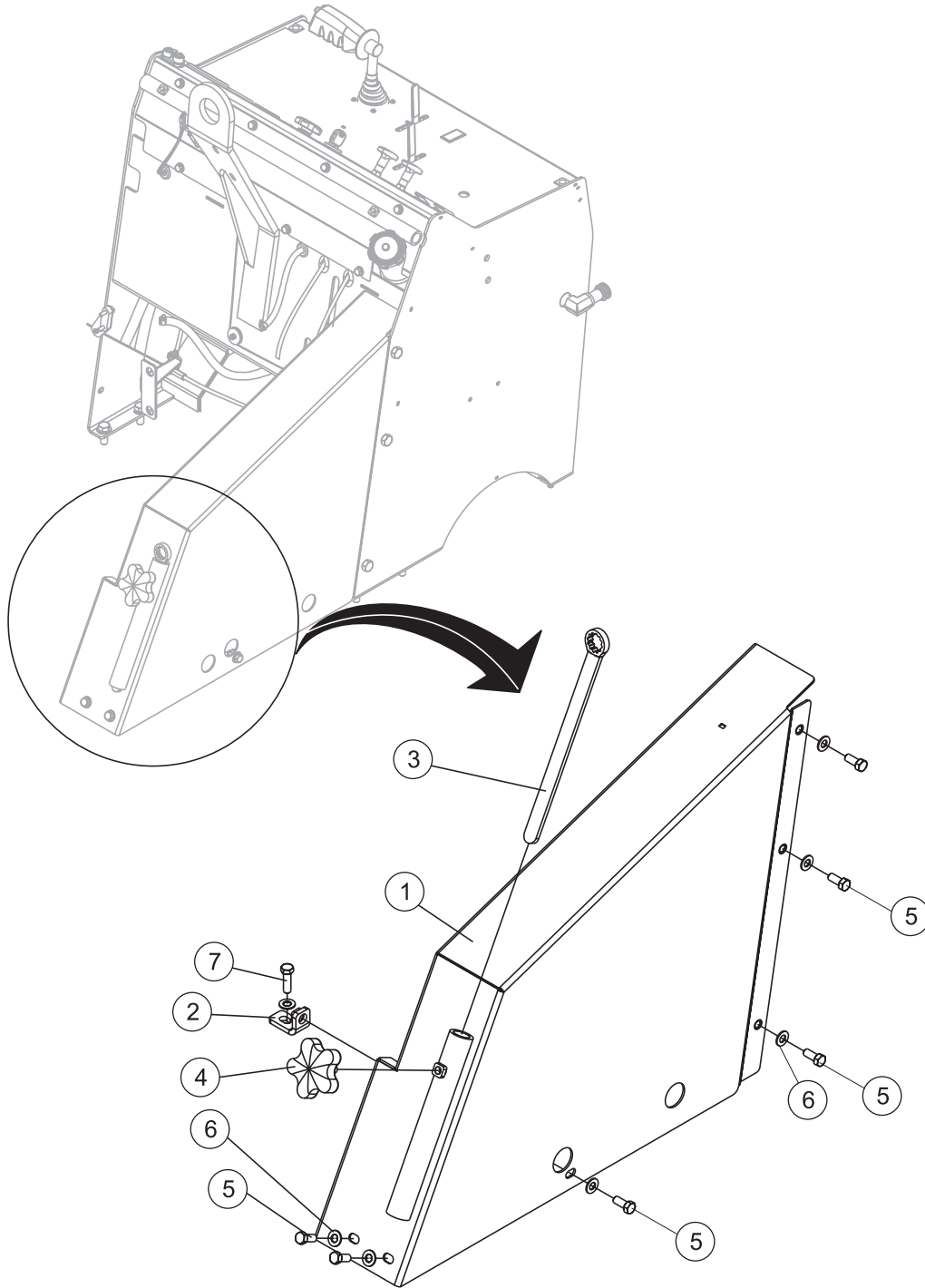
SP-6057 CONCRETE SAW — DEPTH STOP CYLINDER/VALVE ASSY.

DEPTH STOP CYLINDER/VALVE ASSY.

<u>NO</u>	<u>PART NO</u>	<u>PART NAME</u>	<u>QTY.</u>	<u>REMARK</u>
1	25545	CYLINDER, SAW DEPTH STOP	1	
2	169004	PIN, DEPTH STOP CYLINDER	1	
3	966166	PIN, CLEVIS 3/4 x 2	1	
4	965103	PIN, COTTER 5/32 x 1	1	
5	583061	SPACER, DEPTH STOP CYLINDER	1	
6	25632	FITTING, BLEEDER, DEPTH STOP	1	
7	446024	VALVE, DEPTH STOP FLOW CONTROL	1	
8	446024-1	PANEL MOUNT KIT, VALVE	1	
9	35006	HOSE ASM, 36.2" #4HP w/ 370821/370821	1	
10	368817	FITTING, 90 4MJ - 4MO	3	
11	35004	HOSE ASM, 22.7" #4HP w/ 370895/370821	1	
12	25675	FITTING, BRASS BREATHER VENT 1/4"	1	
13	25776	FITTING, BRASS STR 2BARB-10-32	1	
14	933247	WASHER, FLAT SAE 3/4 GRD 9 YZ	1	
15	480003	SEAL, OIL CR# 9815	2	

SP-6057 CONCRETE SAW — BELT GUARD

BELT GUARD



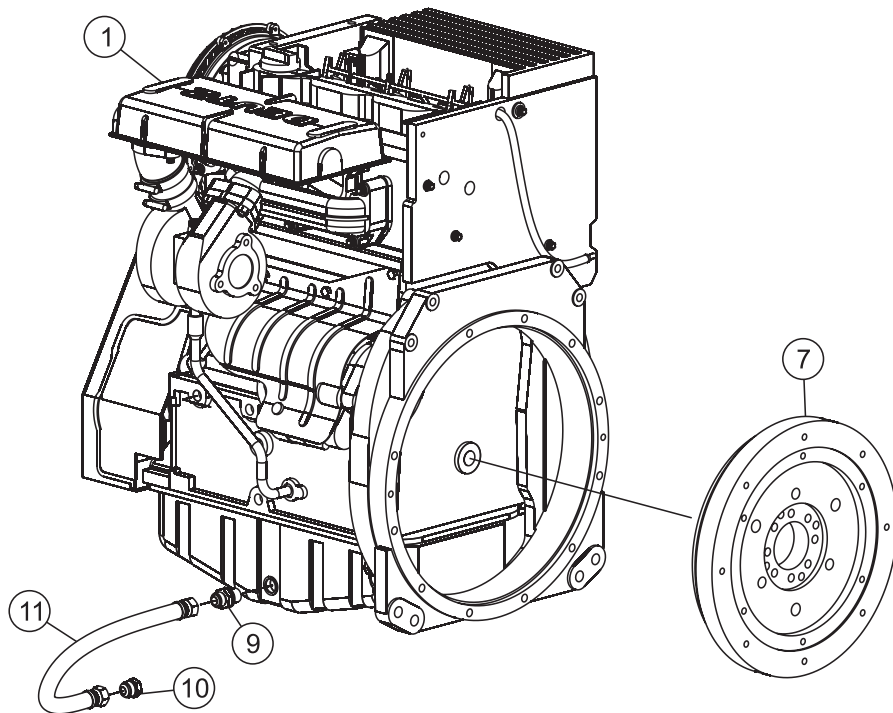
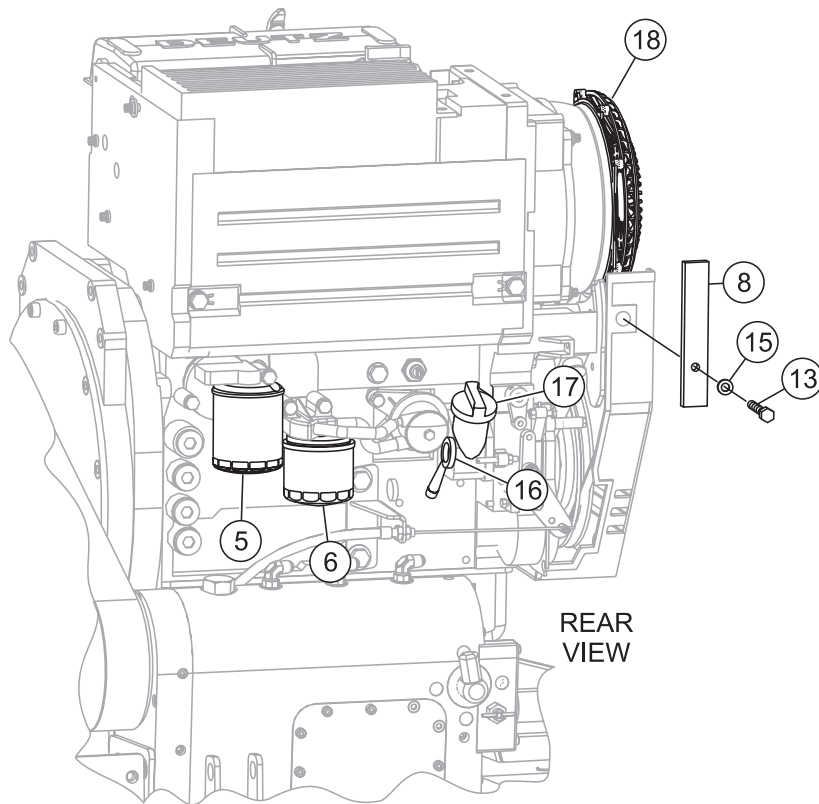
SP-6057 CONCRETE SAW — BELT GUARD

BELT GUARD

<u>NO</u>	<u>PART NO</u>	<u>PART NAME</u>	<u>QTY.</u>	<u>REMARK</u>
1	204017	BELT GUARD W/A, CONCRETE SAW (RED)	1	
2	125041	TAB W/A, SAW BELT GUARD	1	
3	584011	WRENCH, 15/16" BLADE CLOSED END	1	
4	15503	KNOB, COMFORT GRIP STAR, 3/8 - 16 X 1	1	
5	0166	SCREW, HHC 3/8-16 X 7/8	6	
6	933242	WASHER, FLAT SAE 3/8 GRD 9 YZ	7	
7	1023	SCREW, HHC 3/8-16 X 1 1/4 GR 5	1	

SP-6057 CONCRETE SAW — ENGINE ASSY.

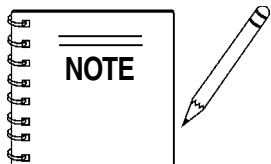
ENGINE ASSY.



SP-6057 CONCRETE SAW — ENGINE ASSY.

ENGINE ASSY.

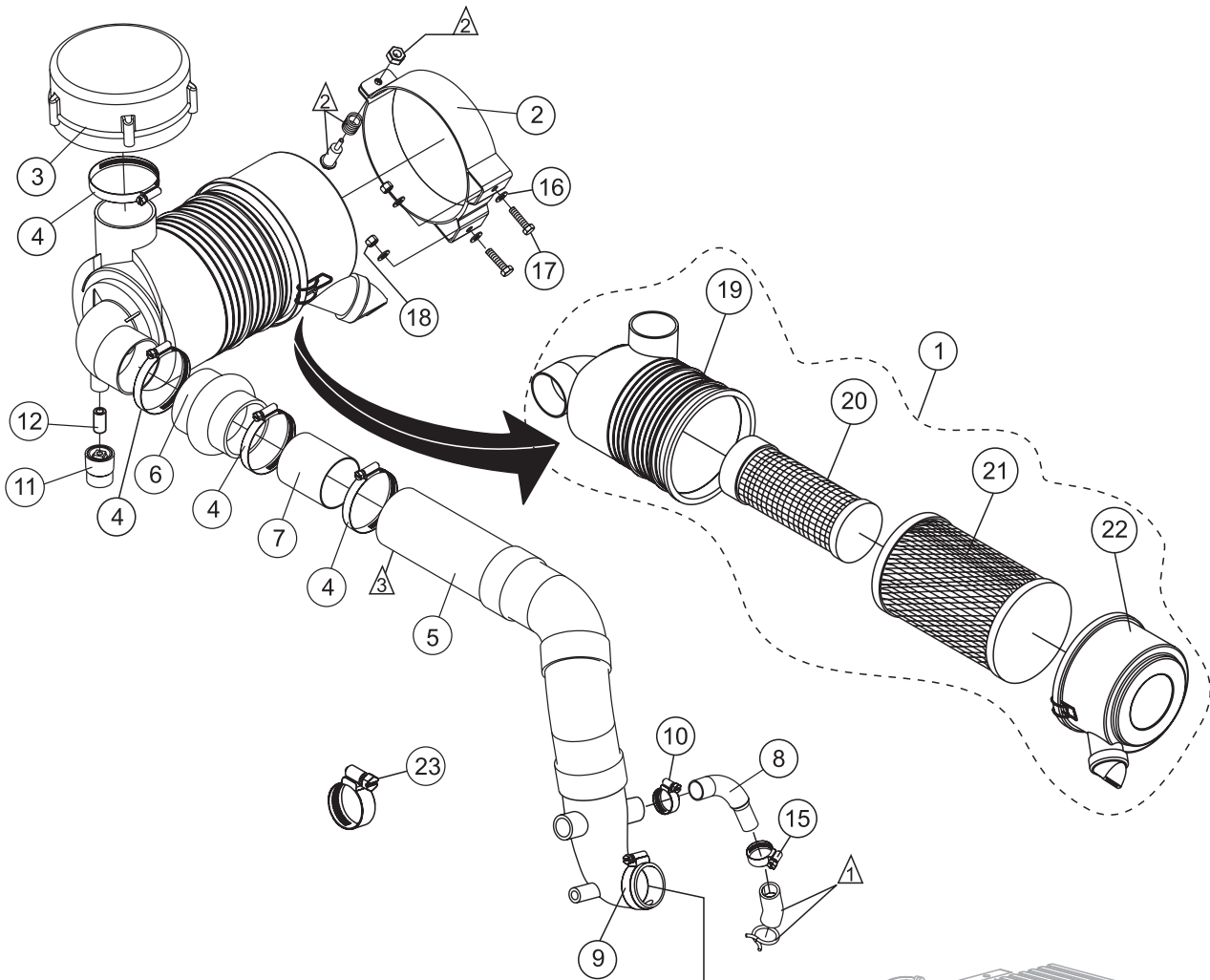
<u>NO.</u>	<u>PART NO.</u>	<u>PART NAME</u>	<u>QTY.</u>	<u>REMARKS</u>
1	261002	ENGINE, DEUTZ BF3L 1011FL 57HP TURBO DIESEL	1	TIER I
1	35396	ENGINE, DEUTZ BF3L 2011 60HP TURBO DIESEL	1	TIER II
5	306012	FILTER, OIL, DEUTZ	1	
6	304010	FILTER, FUEL, DEUTZ	1	
7	267002	FLYWHEEL, MODIFIED BF 3L 1011 FL	1	
8	205007	PLATE, HANDLEBAR STOP	1	
9	367681	FITTING, STR 8MJ-M18MO	1	
10	366030	FITTING, PLUG 8MJ	1	
11	35017	HOSE ASSY, 19.9" #8LP W/ 370677/370677	1	
13	946703	SCREW, HHC M8-1.25 X 25MM GR10.9	1	
15	933242	WASHER	1	
16	TBD	DIPSTICK	1	
17	TBD	OIL FILLER CAP	1	
18	267009	BLOWER JACKET 57HP DEUTZ TD 04179632	1	



Tier I Deutz engine no longer available.
 Tier II Deutz engine replacement
 requires separate engine wiring harness,
 air intake assembly and breather tube
 (see next page).

SP-6057 CONCRETE SAW — AIR INTAKE HOSE ASSY.

AIR INTAKE HOSE ASSY.



NOTES:

① SUPPLIED WITH ENGINE.
PURCHASE 3/4" OIL RESISTANT
HOSE LOCALLY.

② INCLUDED WITH ITEM 2.
CANNOT BE PURCHASED
SEPARATELY.

③ CUT END TO FIT.

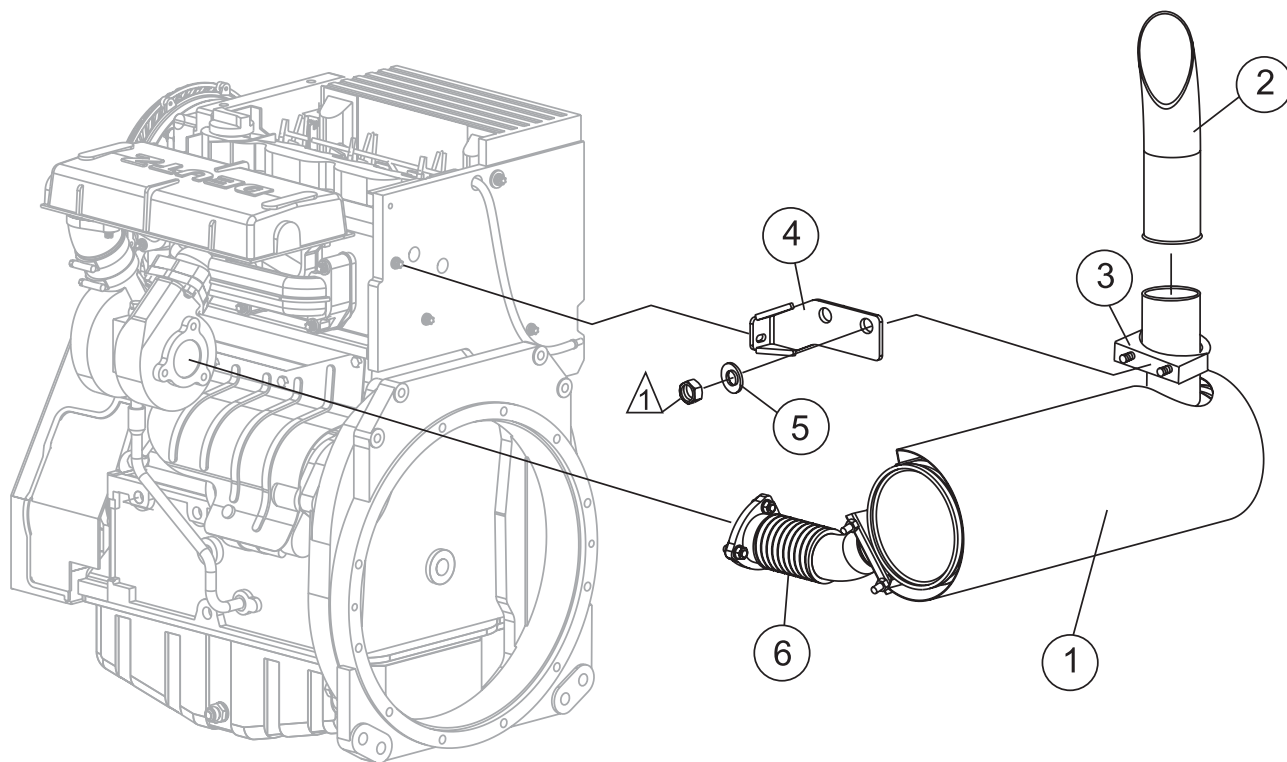
SP-6057 CONCRETE SAW — AIR INTAKE HOSE ASSY.

AIR INTAKE HOSE ASSY.

NO	PART NO	PART NAME	QTY.	REMARK
1	300010	AIR CLEANER, DONALDSON, W/90 DEG. BEND	1	INCLUDES ITEMS W/*
2	300007-1	BAND, DONALDSON AIR CLEANER	1	
3	282003	PREFILTER, ENGINE AIR 3"	1	
4	29218	CLAMP, HOSE WORM #48	4	TIER I
4	29218	CLAMP, HOSE WORM #48	3	TIER II
5	25625	AIR INTAKE HOSE ASM	1	
6	302009	HOSE, HUMP 3" x 2.75"	1	
7	584036	TUBING, AIR CLEANER SPLICE	1	
8	302012	TUBE, CRANCASE BREATHER, 57HP	1	
9	962017	CLAMP, HOSE WORM # 36	1	TIER I ONLY
10	3333	CLAMP, HOSE WORM # 12, 1 1/16" TO 1- 1/4"	1	TIER I ONLY
11	406018	INDICATOR, ELECTRICAL SERVICE 30" H2O/7.5KPa	1	
12	65516	FITTING, NIPPLE 1/8" MP	1	
15	35216	CLAMP, HOSE WORM # 10	1	TIER I ONLY
16	933241	WASHER, FLAT SAE 5/16 GRD 9 YZ	4	
17	2623	SCREW, HHC 5/16-18 x 1-1/4	2	
18	5283	NUT, NYLOC 5/16-18	2	
19*	300010-1	BODY, AIR FILTER	1	
20*	300009	AIR FILTER, SAFETY ELEMENT	1	
21*	300008	AIR FILTER, PRIMARY ELEMENT	1	
22*	300010-2	CAP, AIR FILTER	1	
23	15538	CLAMP, HOSE WORM #6, 7/16-11/16	1	TIER II ONLY

SP-6057 CONCRETE SAW — MUFFLER KIT ASSY.

MUFFLER KIT ASSY.



NOTES:
⚠️ INCLUDED WITH ITEM 3.

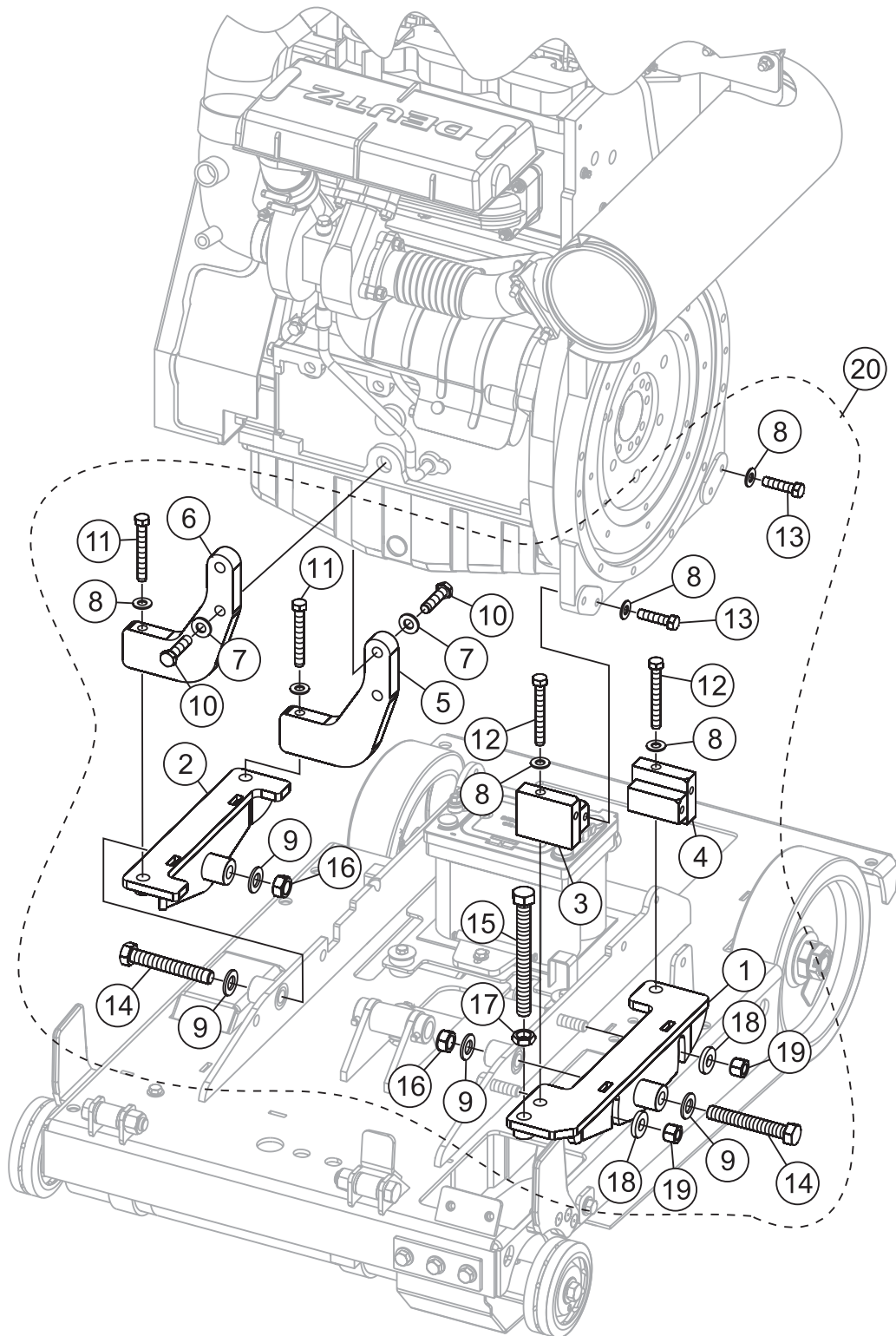
SP-6057 CONCRETE SAW — MUFFLER KIT ASSY

MUFFLER KIT ASSY.

<u>NO</u>	<u>PART NO</u>	<u>PART NAME</u>	<u>QTY.</u>	<u>REMARK</u>
1	280002	MUFFLER AND FLEX KIT ASSY.	1	
2	285003	EXHAUST, 12" EXTENSION	1	
3	570005	CLAMP, MUFFLER 2-1/2", 5/16" U-BOLT	1	
4	106088	BRACKET W/A, DEUTZ MUFFLER SUPPORT	1	
5	0300 B	WASHER, FLAT SAE 5/16	2	
6	280002	FLEX KIT	1	

SP-6057 CONCRETE SAW — ENGINE MOUNTING ASSY.

ENGINE MOUNTING ASSY.



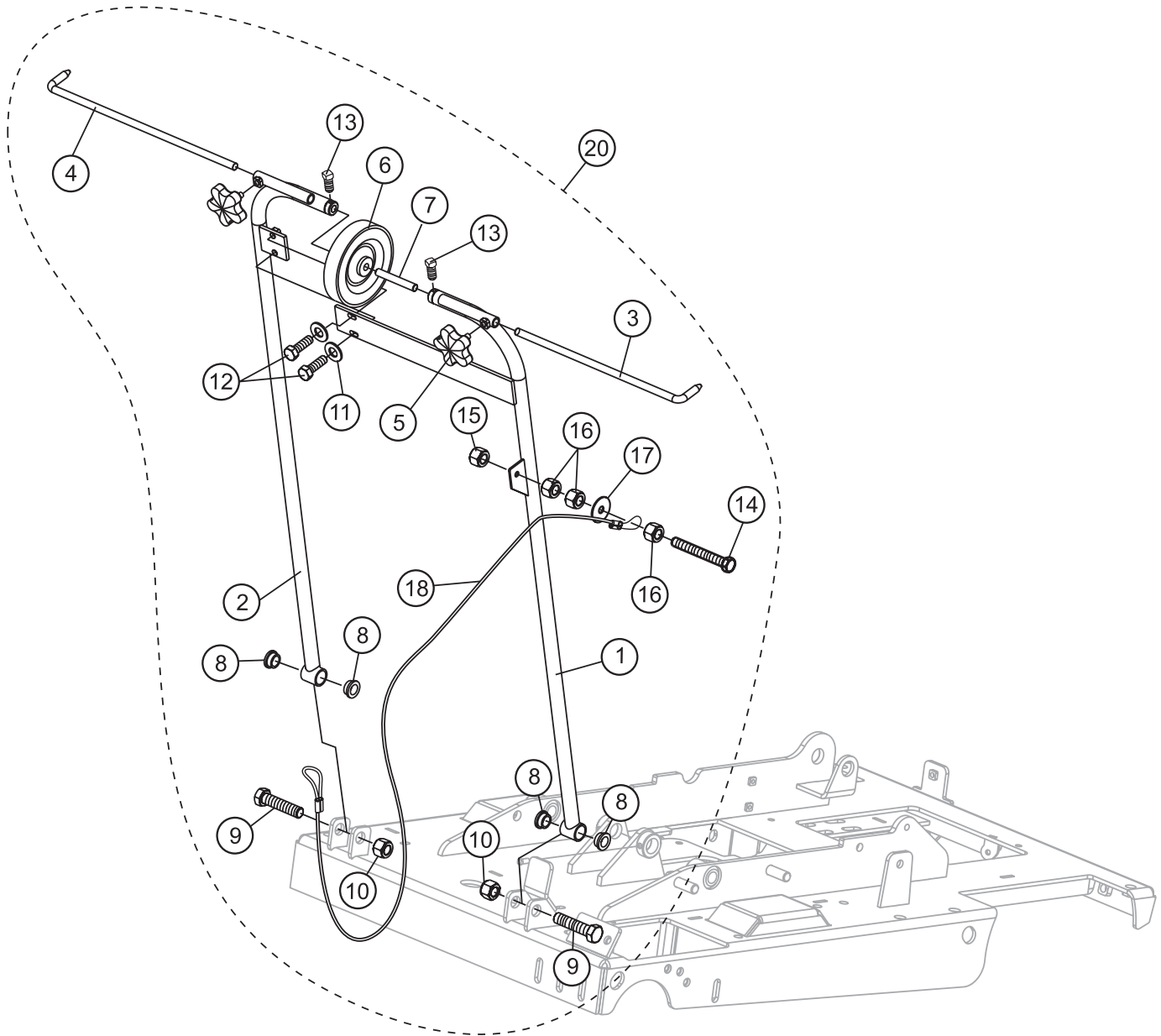
SP-6057 CONCRETE SAW — ENGINE MOUNTING ASSY.

ENGINE MOUNTING ASSY.

<u>NO.</u>	<u>PART NO.</u>	<u>PART NAME</u>	<u>QTY.</u>	<u>REMARKS</u>
1*	25614	TRUNNION W/A, DEUTZ ENGINE	1	
2*	25640	TRUNNION W/A, CONCRETE SAW ENGINE FRONT	1	
3*	120274	MOUNT, ENGINE , RH REAR DEUTZ	1	
4*	120273	MOUNT,ENGINE, LH REAR DEUTZ	1	
5*	120271	SUPPORT ARM, RH DEUTZ ENGINE DRILLED	1	
6*	120270	SUPPORT ARM, LH DEUTZ ENGINE DRILLED	1	
7*	933245	WASHER, FLAT SAE 9/16 GRD 9 YZ	4	
8*	933244	WASHER, FLAT SAE 1/2 GRD 9 YZ	8	
9*	933247	WASHER, FLAT SAE 3/4 GRD 9 YZ	4	
10*	940738	SCREW, HHC M14-2.0X55MM 10.9 NP	4	
11*	915218	SCREW, HHC 1/2-13 X 3-3/4GRD8	2	
12*	16521	SCREW, HHC 1/2-13 X 4 GD8	2	
13*	915211	SCREW, HHC 1/2-13 X 2 GR8 YZ	4	
14*	915373	SCREW, HHC 3/4-10X5GRD 8	2	
15*	120099-3	TAP BOLT, 3/4-10 X 8 ZINC GR 8	1	
16*	938067	NUT, TOP LOCK 3/4-10 GR9 YZ	2	
17*	936216	NUT, HEX JAM 3/4-10, ZINC	1	
18*	583068	WASHER, 1.5 OD X .68 ID X .25 THICK	2	
19*	9503	NUT, NYLOC 5/8-11	2	
20	35335	ENGINE MOUNTING KIT	1	INCLUDES ITEMS W/*

SP-6057 CONCRETE SAW — POINTER ASSY.

POINTER ASSY.



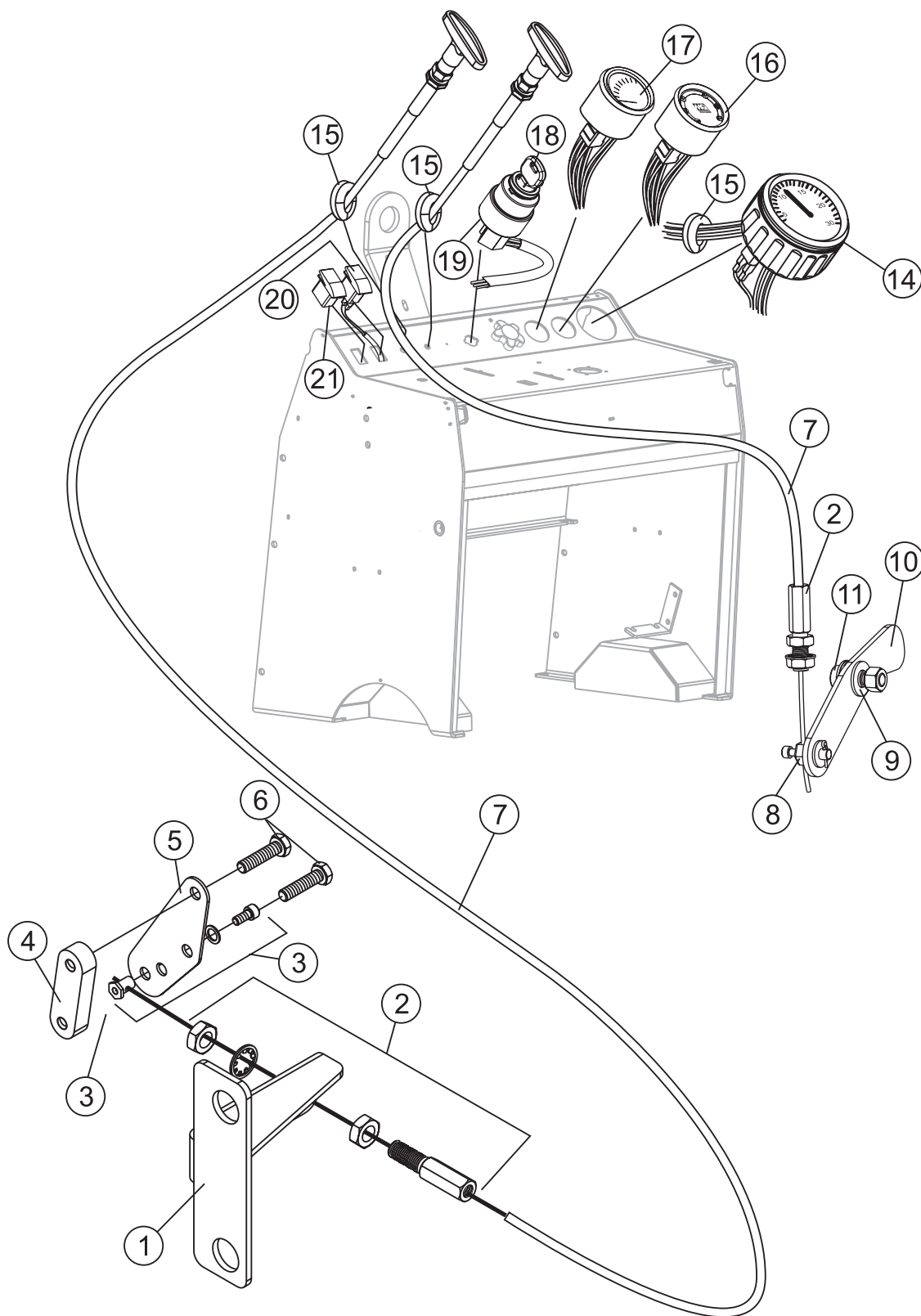
SP-6057 CONCRETE SAW — POINTER ASSY.

POINTER ASSY.

<u>NO</u>	<u>PART NO</u>	<u>PART NAME</u>	<u>QTY.</u>	<u>REMARK</u>
1*	120094	FRAME W/A, LH SAW POINTER	1	
2*	120095	FRAME W/A, RH SAW POINTER	1	
3*	110038	SAW POINTER, 15" LEFT FRONT	1	
4*	110044	POINTER, RIGHT FRONT 17 1/4"	1	
5*	15503	KNOB, COMFORT GRIP STAR, 3/8 - 16 X 1	2	
6*	500005	WHEEL, POINTER, 6"X1"	1	
7*	160004	AXLE, POINTER WHEEL	1	
8*	582008	BUSHING, FLANGE, 1.0 OD x .75 ID	4	
9*	995366	SCREW, HHC 3/4-10x3-1/4 YZ5	2	
10*	5070 B	NUT, NYLOC 3/4-10	2	
11*	933241	WASHER, FLAT SAE 5/16 GRD 9 YZ	2	
12*	0202	SCREW, HHC 5/16-18 X 1 ZINC	2	
13*	926006	SCREW, SQHS, CP 1/4-20 x 1/2	2	
14*	20473	SCREW, HHC 3/8-16 x 3 FULL THREAD GR5	1	
15*	10133	NUT, NYLOC 3/8-16	1	
16*	1456	NUT, HEX FINISH 3/8-16	3	
17*	3233	WASHER, FENDER, 1.5OD X 3/8ID	2	
18*	574003	ROPE, POINTER ASSY.	1	
20	M10006	POINTER ASSY	1	INCLUDES ITEMS W/*

SP-6057 CONCRETE SAW — GAUGES AND CONTROLS ASSY.

GAUGES AND CONTROLS ASSY.



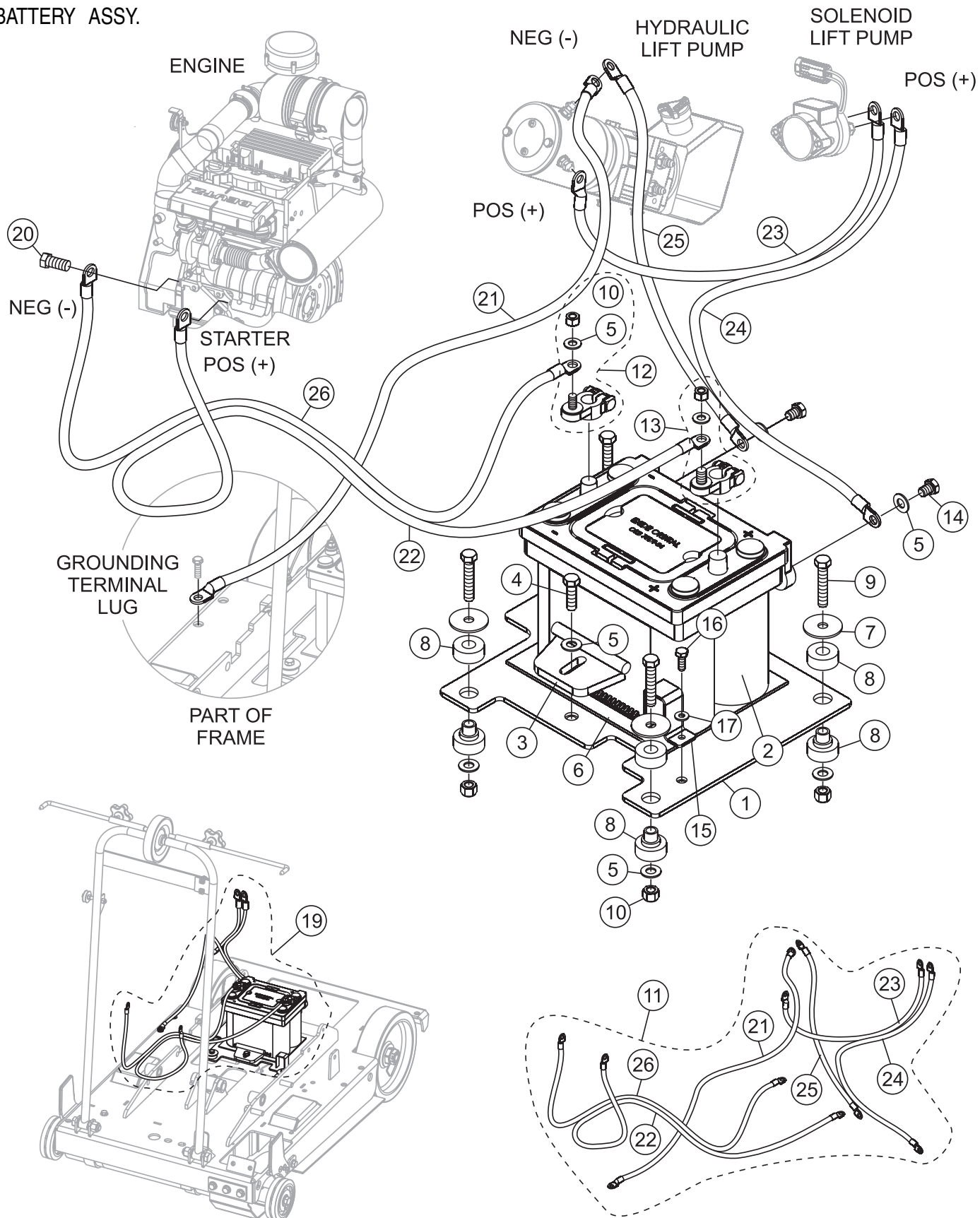
SP-6057 CONCRETE SAW — GAUGES AND CONTROLS ASSY.

GAUGES AND CONTROLS ASSY.

<u>NO</u>	<u>PART NO</u>	<u>PART NAME</u>	<u>QTY.</u>	<u>REMARK</u>
1	120222	BRACKET, DEUTZ THROTTLE CABLE	1	
2	25634	BULK HEAD ADAPTOR	2	
3	25624	SWIVEL, CABLE END	1	
4	448004-1	SPACER, DEUTZ THROTTLE ACTUATOR ARM	1	
5	448004	ARM, DEUTZ THROTTLE ACTUATOR	1	
6	M940653	SCREW, HHC M6-1.0 X 25MM GR10.9	2	
7	15171	CABLE, PULL (THROTTLE/DRIVE ENGAGE)	2	
8	584028	PIVOT END, CABLE	1	
9	933242	WASHER, FLAT SAE 3/8 GRD 9 YZ	6	
10	448006	CAM LEVER, CONCRETE SAW	1	
11	926327	SCREW, SHDLR 3/8D X 1/2L, 5/16-1, SCKT HD	1	
14	421000	TACHOMETER, ELECTRIC 0-3000 RPM	1	
15	579072	GROMMET, 1/2" ID	4	
16	406021	INDICATOR, ENGINE	1	
17	423000	VOLTMETER	1	
18	406017-1	KEY, IGNITION	2	
19	406017	IGNITION SWITCH W/KEYS	1	
20	406000	SWITCH, ROCKER, CH# M-58031-01	2	AUX AND LIGHTS
21	406020	BLANK, ROCKER SWITCH COVER	1	AUX SWITCH NOT USED

SP-6057 CONCRETE SAW — BATTERY ASSY.

BATTERY ASSY.



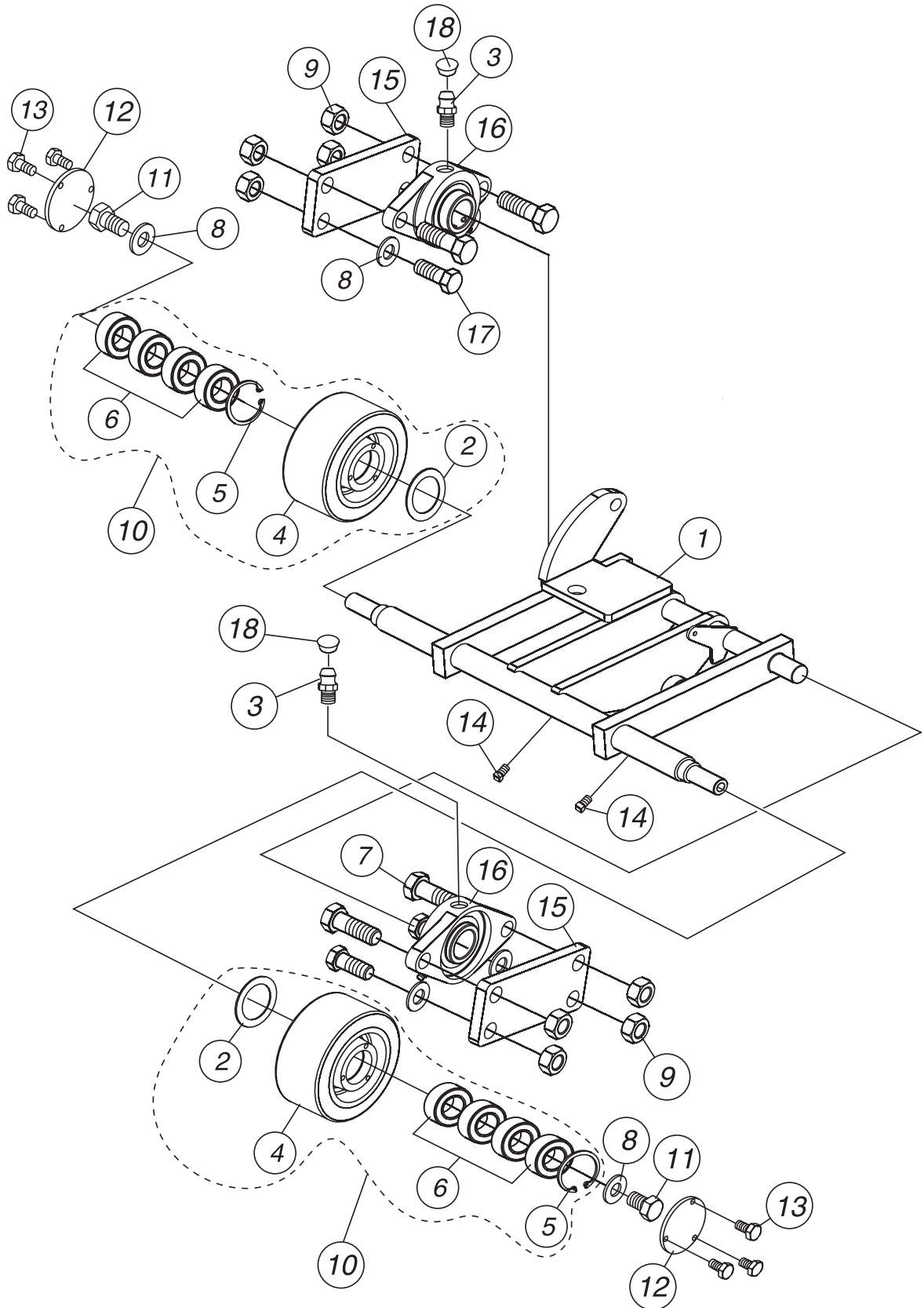
SP-6057 CONCRETE SAW — BATTERY ASSY.

BATTERY ASSY.

<u>NO.</u>	<u>PART NO.</u>	<u>PART NAME</u>	<u>QTY.</u>	<u>REMARKS</u>
1*	25597	PLATFORM W/A, CONCRETE SAW BATTERY	1	
2*	404006	BATTERY, EXIDE ORB75DT-84	1	
3*	125051	CLIP W/A, BATTERY RETAINER	1	
4*	1023	SCREW, HHC 3/8-16 X 1-1/4 GR 5	1	
5*	933242	WASHER, FLAT SAE 3/8 GRD 9 YZ	7	
6*	206011	PAD, RUBBER, CONCRETE SAW BATTERY	1	
7*	12832	WASHER, SNUBBING	4	
8*	575001	RUBBER ISOLATOR, TPC# 60166-1	4	
9*	1665	SCREW, HHC 3/8-16 X 2	4	
10*	10133	NUT, NYLOC 3/8-16	4	
11	25826	BATTERY CABLE KIT	1	INCLUDES ITEMS W/#
12*	405061	TERMINAL, NEGATIVE BATTERY, MARINE	1	
13*	405060	TERMINAL, POSITIVE BATTERY, MARINE	1	
14*	915101	SCREW, HHC 3/8-16 X 1/2 GRD8	2	
15*	125042	HOSE BRACKET W/A	1	
16*	0131 A	SCREW, HHC 1/4-20 X 3/4	1	
17*	933240	WASHER, FLAT SAE 1/4 GRD 9 YZ	1	
19	35199	BATTERY AND MOUNTING ASSY.....	1	INCLUDES ITEMS W/*
20	940692	SCREW, HHC M10-1.5 X 20MM	1	
21*#	35038	CABLE ASSY, BATTERY	1	
22*#	35039	CABLE ASSY, BATTERY	1	
23*#	35040	CABLE ASSY, BATTERY	1	
24*#	35041	CABLE ASSY, BATTERY	1	
25*#	35042	CABLE ASSY, BATTERY	1	
26*#	35043	CABLE ASSY, BATTERY	1	

SP-6057 CONCRETE SAW — FRONT AXLE ASSY.

FRONT AXLE ASSY.



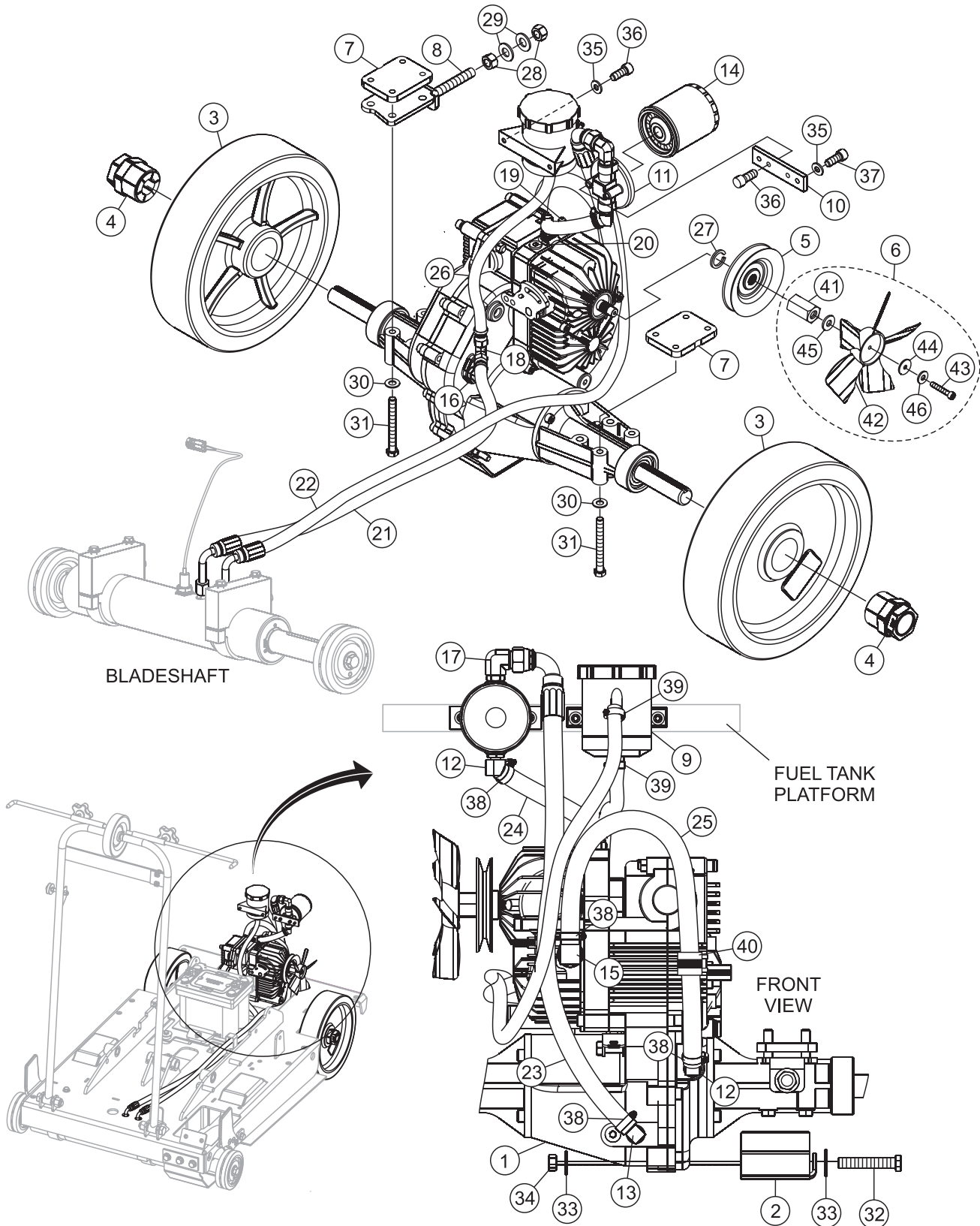
SP-6057 CONCRETE SAW — FRONT AXLE ASSY.

FRONT AXLE ASSY.

<u>NO.</u>	<u>PART NO.</u>	<u>PART NAME</u>	<u>QTY.</u>	<u>REMARKS</u>
1	16013-1	FRONT AXLE W/A, CONCRETE SAW	1	
2*	480003	SEAL, OIL CR# 9815	2	
3	2621	FITTING, GREASE ZERK STR 1/4-28	2	
4*	500006	WHEEL, 8 x 3 URETHANE, NO BEARINGS	1	
5*	576003	SNAP RING- HO-185	2	
6*	460002	BEARING, BALL, KOYO # 6005 2RS	4	
7	912311	SCREW, HHC 5/8-11 x 2	4	
8	933246	WASHER, FLAT 5/8 SAE GRD9 YZ	6	
9	4702	NUT, HEX FINISH 5/8-11	8	
10	M16020	WHEEL, 8 x 3 WITH BEARINGS, ASSY.	2	INCLUDES ITEMS W/*
11	06505-008	SCREW, HHC 5/8-11x1.00	2	
12	508005	PLATE, WHEEL COVER	2	
13	1579	SCREW, HHC 1/4-20 x .5	6	
14	926064	SCREW, SQHS,CP 5/16-24 x 5/8	2	
15	583096	BACKING PLATE, SAW AXLE PIVOT BEARING	2	
16	25599	BEARING, FLANGE 1.13"IDx4.59"BB	2	
17	21376	SCREW, HHC 5/8-11 x 1-1/2	4	
18	1162A	CAP, GREASE ZERK #2 YELLOW	2	

SP-6057 CONCRETE SAW — DRIVE ASSY.

DRIVE ASSY.



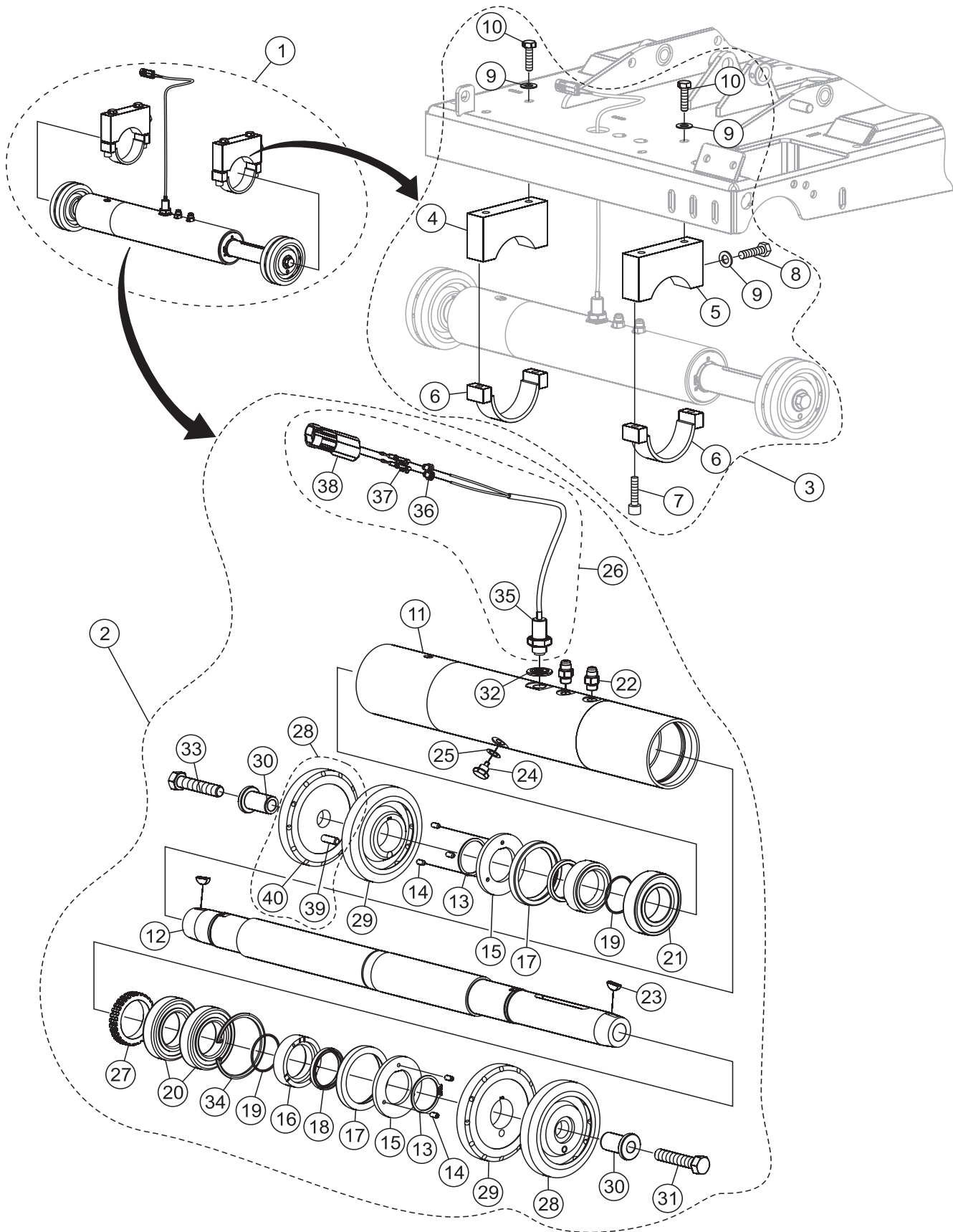
SP-6057 CONCRETE SAW — DRIVE ASSY.

DRIVE ASSY.

<u>NO.</u>	<u>PART NO.</u>	<u>PART NAME</u>	<u>QTY.</u>	<u>REMARKS</u>
1*	263003	TRANSAXLE, SAUER 230-3010L LOCKED	1	
2*	206005	SKID PLATE, TRANS-AXLE	1	
3*	500009	WHEEL, REAR 12"X3"X2" BORE	2	
4*	582038	BUSHING, 1.0" TRANSTORQUE KEYLESS	2	
5*	540033- 4	PULLEY, 4.13 X A X 18 TOOTH SPLINE	1	
6*	35190	FAN GROUP	1	INCLUDES ITEMS W/%
7*	120078	BACKING PLATE, SAW TRANSAXLE	2	
8*	125040	BRACKET, ALIGNMENT ADJUSTING	1	
9*	144003	RESERVOIR, HYDRAULIC OIL	1	
10*	120260	PLATE, HYDRAULIC OIL FILTER ADAPTER	1	
11*	25617	FILTER HEAD, TRANSAXLE	1	
12*	370192	FITTING, 45 8BEAD SHORT-6MO	3	
13*	370162-1	FITTING, 90 8BARB - 6MO	1	
14*	306006	FILTER, TRANSAXLE	1	
15*	35226	FITTING, 90 8 BEADED HOSE X 10MO	1	
16*	11722	FITTING, 90 6MJ-6MO	1	
17*	12431	FITTING, 90 8MJ-6MO	1	
18*	366692	FITTING, RUN TEE 6MJ - 6MJ - 6FJ	1	
19*	367470	FITTING, STR 4MJ - 6MO	1	
20*	368699	FITTING, PLUG 6MO HEX SKT HD	2	
21*	35014	HOSE ASM, 36.2" #6LP W/ 370674/370922	1	
22*	35015	HOSE ASM, 59.3" #6LP W/ 370922	1	
23*	35018	HOSE ASM, 23.3" #8LP W/ 370900	1	
24*	35019	HOSE, 1/2 ID PUSHLOCK 250 PSI, 6"	1	
25*	25976	HOSE, 1/2 ID PUSHLOCK 250 PSI, 18.5"	1	
26*	35012	HOSE ASM, 17.9" #6LP W/ 370674	1	
27*	25623	CIRCLIP	1	
28*	968011	NUT, HEX FINISH 1/2-13	2	
29*	933244	WASHER, FLAT SAE 1/2 GRD 9 YZ	2	
30*	933242	WASHER, FLAT SAE 3/8 GRD 9 YZ	8	
31*	06501-028	SCREW, HHC 3/8-16 X 3-1/2	8	
32*	06500-020	SCREW, HHC 5/16-18 X 2-1/2	2	
33*	933241	WASHER, FLAT SAE 5/16 GRD 9 YZ	4	
34*	5283	NUT, NYLOC 5/16-18	2	
35*	933076	WASHER, FLAT SAE #12 ZINC	4	
36*	923201	SCREW, SHC 1/4-20 X 1/2	4	
37*	923202	SCREW, SHC 1/4-20 X 5/8	2	
38*	15538	CLAMP, HOSE WORM # 6	5	
39*	19473	CLAMP, HOSE WORM # 2	2	
40*	35025	CLAMP, LOOM CUSHIONED #12	1	
41*%	583064	STAND OFF, 1.00 HEX X 1.483	1	
42*%	384001	FAN, 5-BLADE	1	
43*%	923118	SCREW, SHC 8-32X1 NP	1	
44*%	933201	WASHER, FENDER 3/16 X 3/4 ZINC	1	
45*%	933242	WASHER, FLAT SAE 3/8 GRD 9 YZ	1	
46*%	933072	WASHER, FLAT SAE #8 ZINC	1	

SP-6057 CONCRETE SAW — BLADESHAFT AND MOUNTING ASSY.

BLADESHAFT AND MOUNTING ASSY.



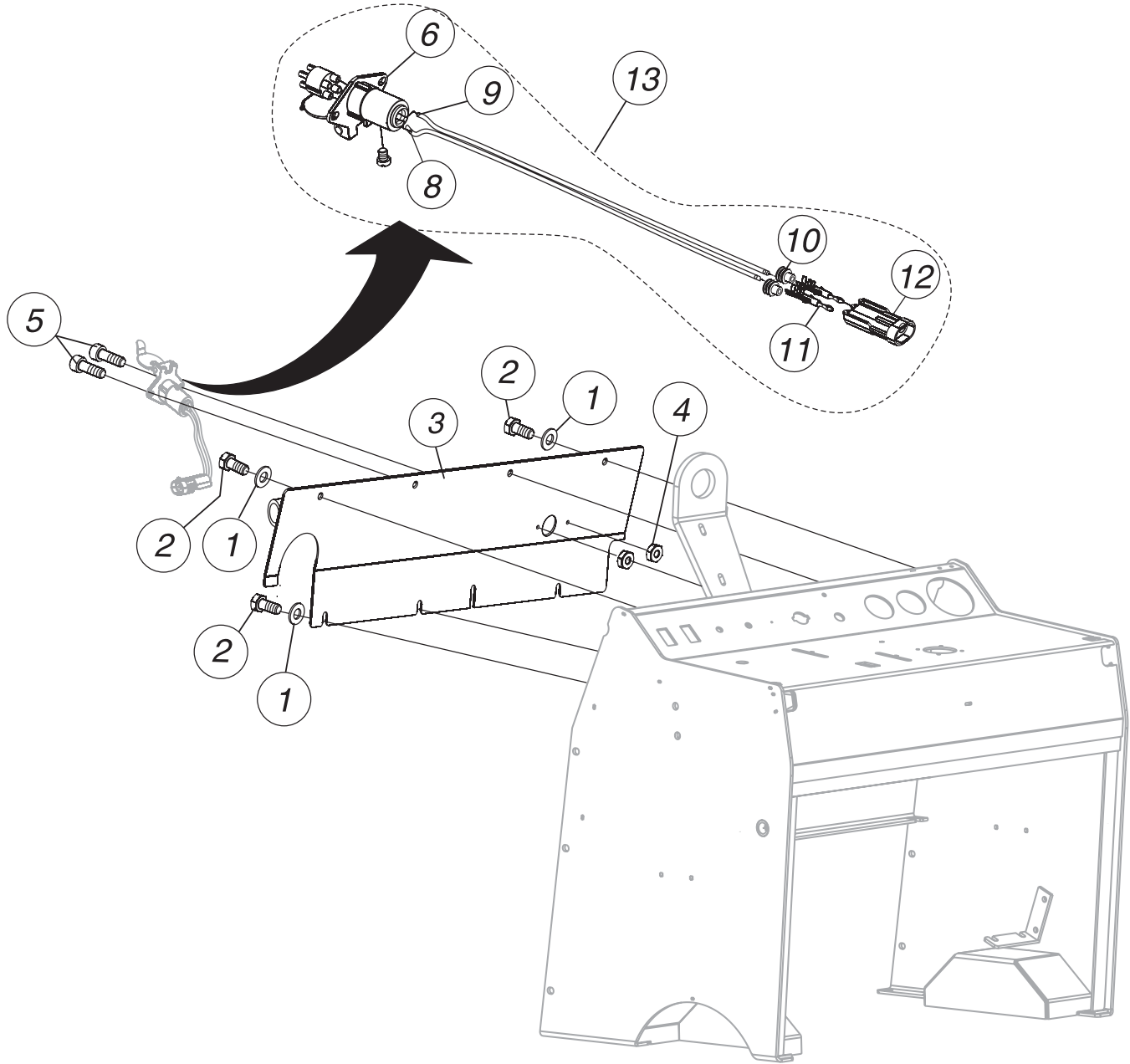
SP-6057 CONCRETE SAW — BLADESHAFT AND MOUNTING ASSY.

BLADESHAFT AND MOUNTING ASSY.

<u>NO.</u>	<u>PART NO.</u>	<u>PART NAME</u>	<u>QTY.</u>	<u>REMARKS</u>
1	35193	BLADESHAFT AND MOUNTING GROUP, 6000 SERIES	1	INCLUDES ITEMS W/*
2*	M15003	BLADESHAFT ASSY., SINGLE SPEED CONCRETE SAW	1	INCLUDES ITEMS W/%
3*	35194	MOUNTING ASSY., 6000 SERIES	1	INCLUDES ITEMS W/#
4*#	120226	MOUNTING BLOCK, BLADESHAFT W/PIN	1	
5*#	120225	MOUNTING BLOCK, BLADESHAFT	1	
6*#	120224	SADDLE CLAMP W/A 1.50X4.00 BLADESHAFT	2	
7*#	923357	SCREW, SHC 7/16-14 X 1-1/4, NP	4	
8*#	16530	SCREW, HHC 7/16-14 X 1	2	
9*#	933243	WASHER, FLAT SAE 7/16 GRD 9 YZ	6	
10*#	06502-010	SCREW, HHC 7/16-14 X 1-1/4	4	
11*%	168008	HOUSING, SINGLE SPEED BLADESHAFT	1	
12*%	162003	BLADE SHAFT, SINGLE SPEED	1	
13*%	576006	SNAP RING, ROTO CLIP # SH-196	2	
14*%	925382	SCREW, SHS, KP 1/4-20 X 1/2	6	
15*%	486001	THRUST WASHER, 6000 SERIES	2	
16*%	485003	SLEEVE, BLADE SHAFT SEAL	2	
17*%	480006	SEAL, OIL CR# 28655	2	
18*%	480007	OIL SEAL, JOINT RADIAL	2	
19*%	578135	O-RING, VITON # AS-135	2	
20*%	460010	BEARING, ROLLER KOYO # 7210BGC3	2	
21*%	39460011	BEARING, BALL KOYO # NU2210RC3	1	
22*%	11721	FITTING, STR 6MJ-6M0	2	
23*%	927048	KEY, WOODRUFF, #807	2	
24*%	583026	DRAIN PLUG, MAGNETIC, 1/2-20	1	
25*%	577009	GASKET, DRAIN PLUG	1	
26*%	35254	SENDER ASM, TACHOMETER SIGNAL GENERATOR	1	INCLUDES ITEMS W/+
27*%	25690	GEAR, SAW BLADE SHAFT SPEED PICKUP	1	
28*%	180003	COLLAR ASM, OUTER BLADE SHAFT	2	INCLUDES ITEMS W/@
29*%	180004	COLLAR, INNER BLADE SHAFT	2	
30*%	582012	BUSHING, QUICK DISCONNECT BLADE SHAFT	2	
31*%	915316	SCREW, HHC 5/8-11X 3 LH GR8	1	
32*%	25695	WASHER, SEAL 3/4"	1	
33*%	915315	SCREW, HHC 5/8-11X3 GR8	1	
34*%	576007	SNAP RING VH0-354	1	
35*%+	421001	GENERATOR, TACHOMETER SIGNAL	1	
36*%+	12171	SEAL, WEATHERPACK 16-18 GA, GREEN	2	
37*%+	12179	TERMINAL, WEATHERPACK MALE 14-16 GA	2	
38*%+	12176	CONNECTOR, WEATHERPACK 2 MALE PIN	1	
39*%@	926790	PIN, DOWEL 3/8 - 1-3/4	2	
40*%@	180003-1	COLLAR, OUTER BLADE SHAFT	2	

SP-6057 CONCRETE SAW — LIGHT CONNECTOR/DASH PANEL ASSY.

LIGHT CONNECTOR/DASH PANEL ASSY.



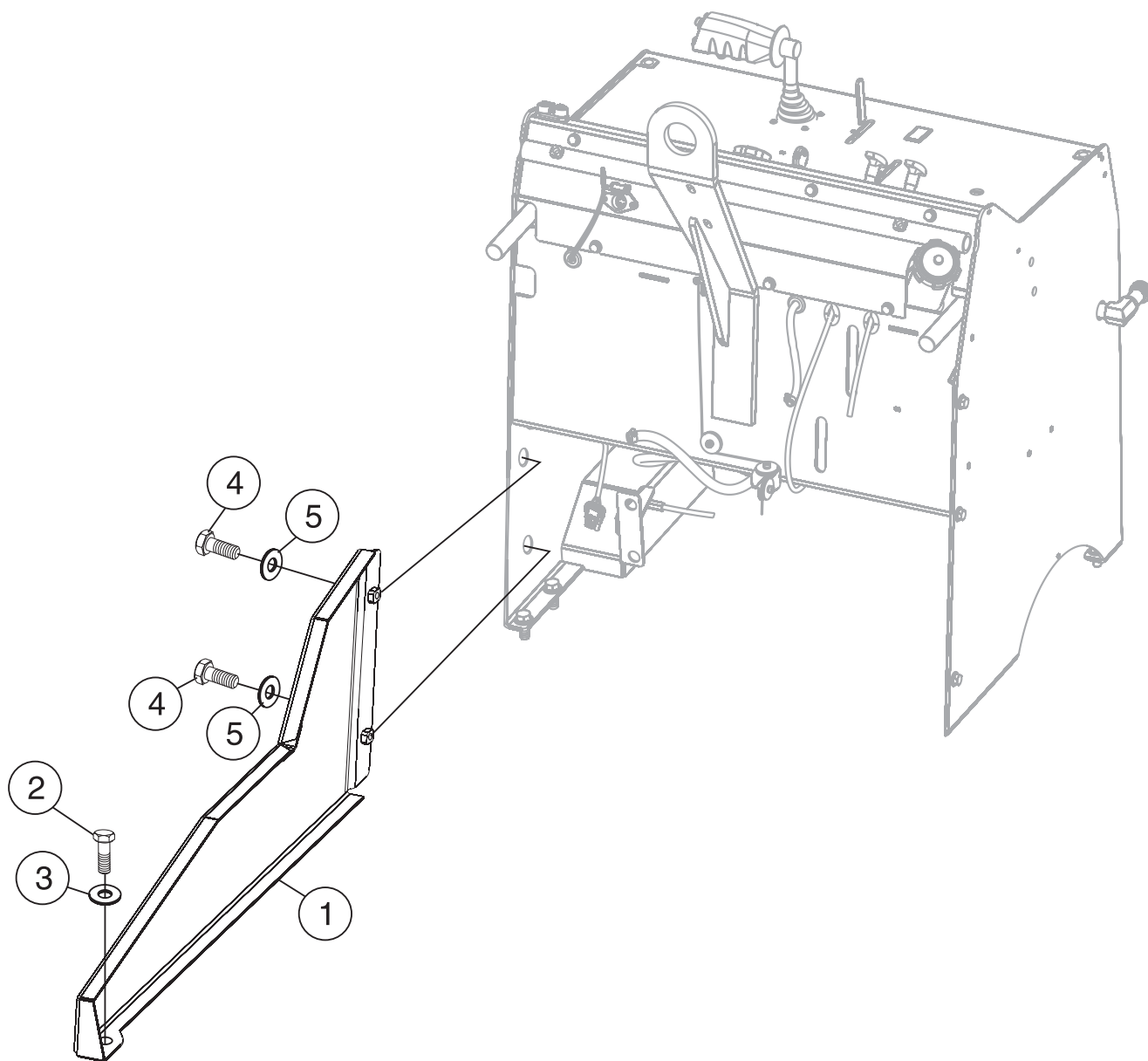
SP-6057 CONCRETE SAW — LIGHT CONNECTOR/DASH PANEL ASSY.

LIGHT CONNECTOR/DASH PANEL ASSY.

<u>NO.</u>	<u>PART NO.</u>	<u>PART NAME</u>	<u>QTY.</u>	<u>REMARKS</u>
1	933241	WASHER, FLAT SAE 5/16 GRD 9 YZ	7	
2	0655	SCREW, HHC 5/16-18 X 3/4	7	
3	104016	COVER W/A, CONCRETE SAW DASH PANEL	1	
4	13287	NUT, NYLOC 8-32	2	
5	923114	SCREW, SHC 8-32 x 1/2	2	
6*	405000	CONNECTOR, 4-WAY SOCKET CHROME	1	
8*	25865-1	WIRE, BLACK #14	?	
9*	25865-2	WIRE, BLACK #14	?	
10*	12171	SEAL, WEATHERPACK 16-18 GA , GREEN	2	
11*	12179	TERMINAL, WEATHERPACK MALE 14-16 GA	2	
12*	12176	CONNECTOR, WEATHERPACK 2 PIN MALE	1	
13	25865	HARNESS, LIGHT KIT	1	INCLUDES ITEMS W/*

SP-6057 CONCRETE SAW — ENGINE GUARD ASSY.

ENGINE GUARD ASSY.



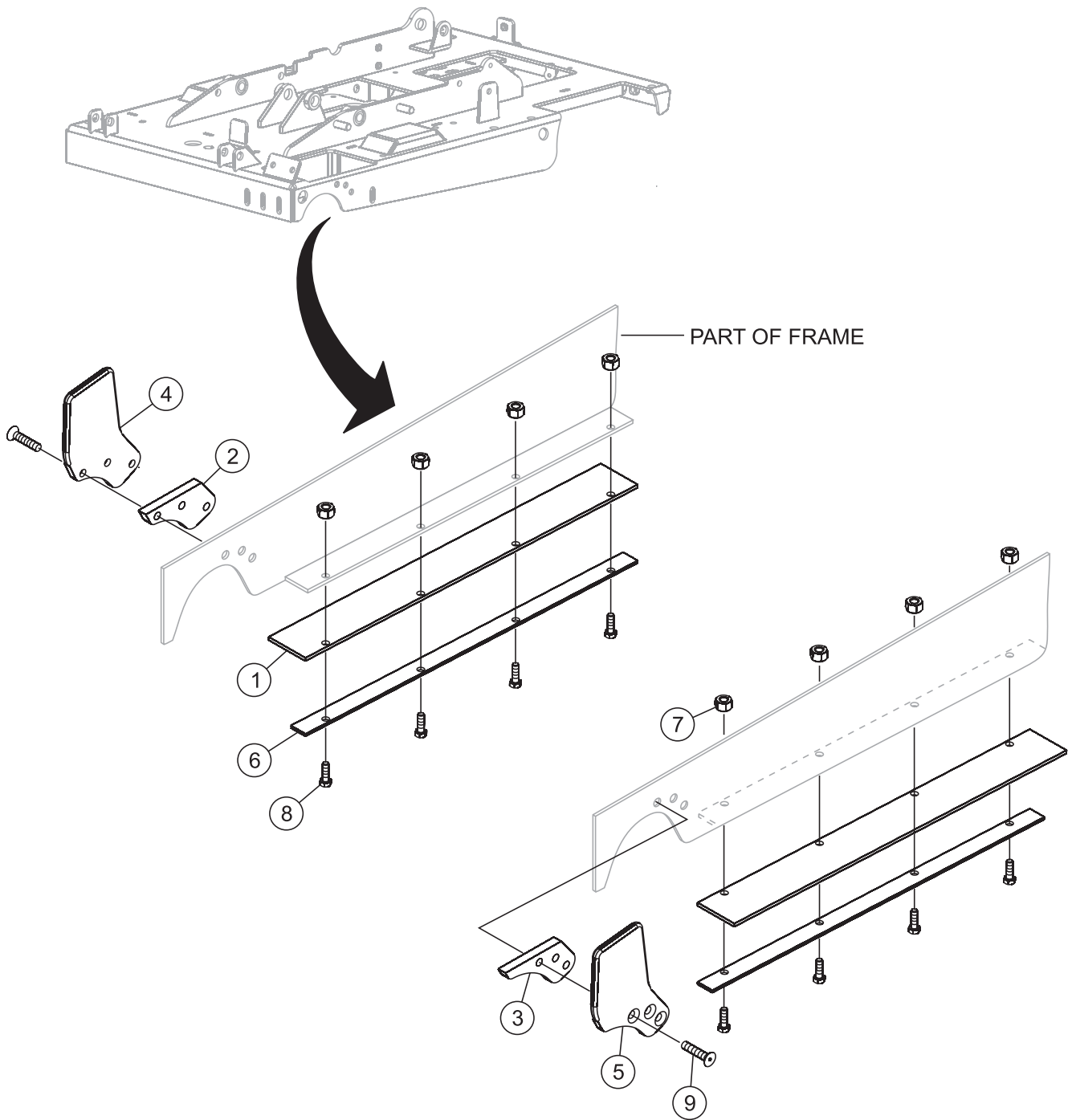
SP-6057 CONCRETE SAW — ENGINE GUARD ASSY.

ENGINE GUARD ASSY.

<u>NO.</u>	<u>PART NO.</u>	<u>PART NAME</u>	<u>QTY.</u>	<u>REMARKS</u>
1	205010	GUARD W/A CONCRETE SAW ENGINE	1	
2	2691	SCREW, HHC 1/2-13 X1"	1	
3	933244	WASHER, FLAT SAE 1/2" GRD 9 YZ	1	
4	0166	SCREW, HHC 3/8-16 X 7/8"	2	
5	933242	WASHER, FLAT SAE 3/8" GRD 9 YZ	1	

SP-6057 CONCRETE SAW — BLADE GUARD MOUNT/WIPER ASSY.

BLADE GUARD MOUNT/WIPER ASSY.



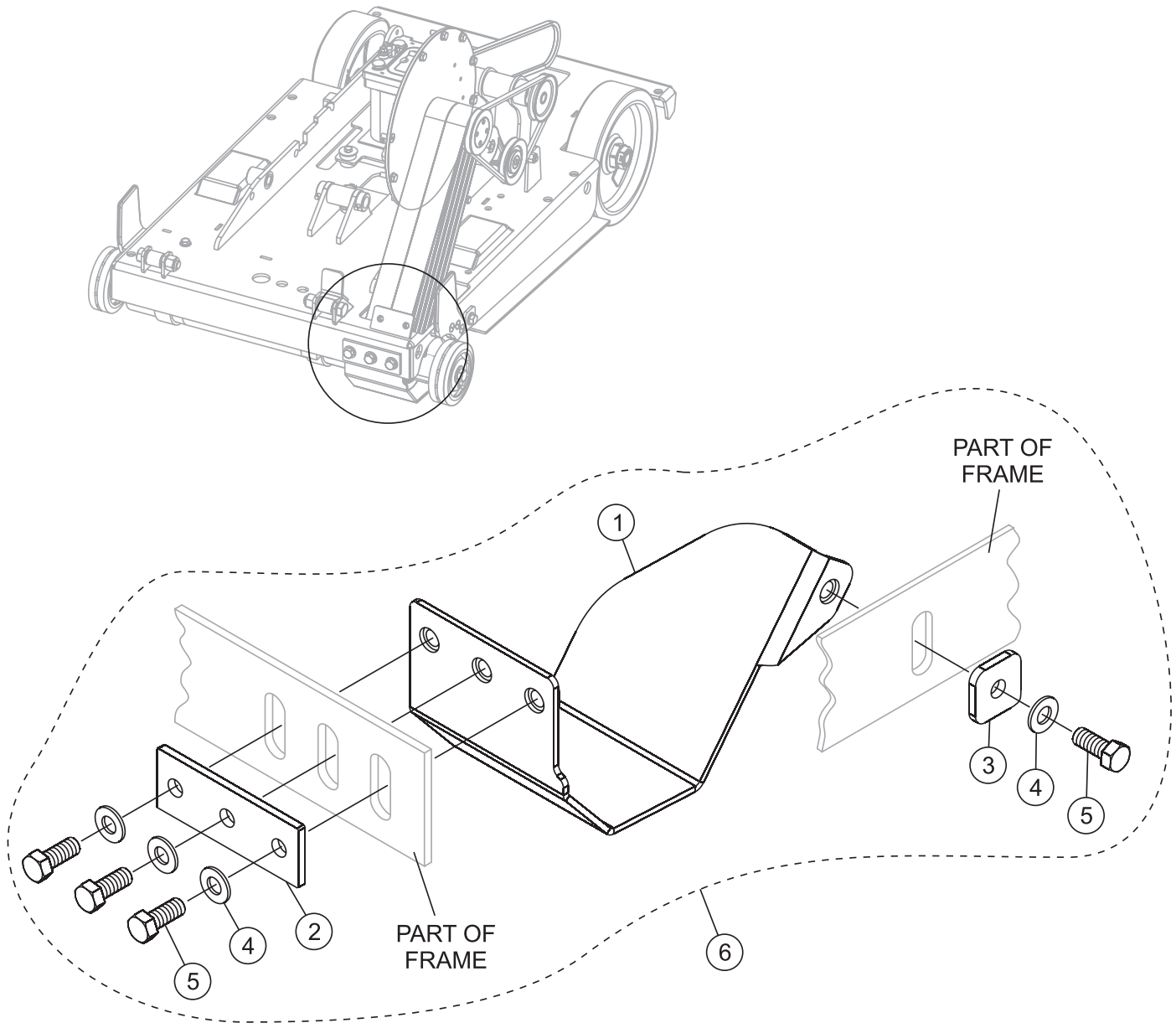
SP-6057 CONCRETE SAW — BLADE GUARD MOUNT/WIPER ASSY.

BLADE GUARD MOUNT/WIPER ASSY.

<u>NO.</u>	<u>PART NO.</u>	<u>PART NAME</u>	<u>QTY.</u>	<u>REMARKS</u>
1*	206006	STRIPS, SLURRY	2	
2*	120093	SPACER, RH BLADE CLIP	1	
3*	120091	SPACER, LH BLADE CLIP	1	
4*	120092	CLIP, RH BLADEGUARD MOUNT	1	
5*	120090	CLIP, LH BLADEGUARD MOUNT	1	
6*	100019	BACKING PLATE, CONCRETE SAW	2	
7*	5283	NUT, NYLOC 5/16-18	8	
8*	0202	SCREW, HHC 5/16-18 X 1 ZINC	8	
9*	924289	SCREW, FHSC 3/8-16 X 1-3/4	6	

SP-6057 CONCRETE SAW — LOWER BELT GUARD ASSY.

LOWER BELT GUARD ASSY.



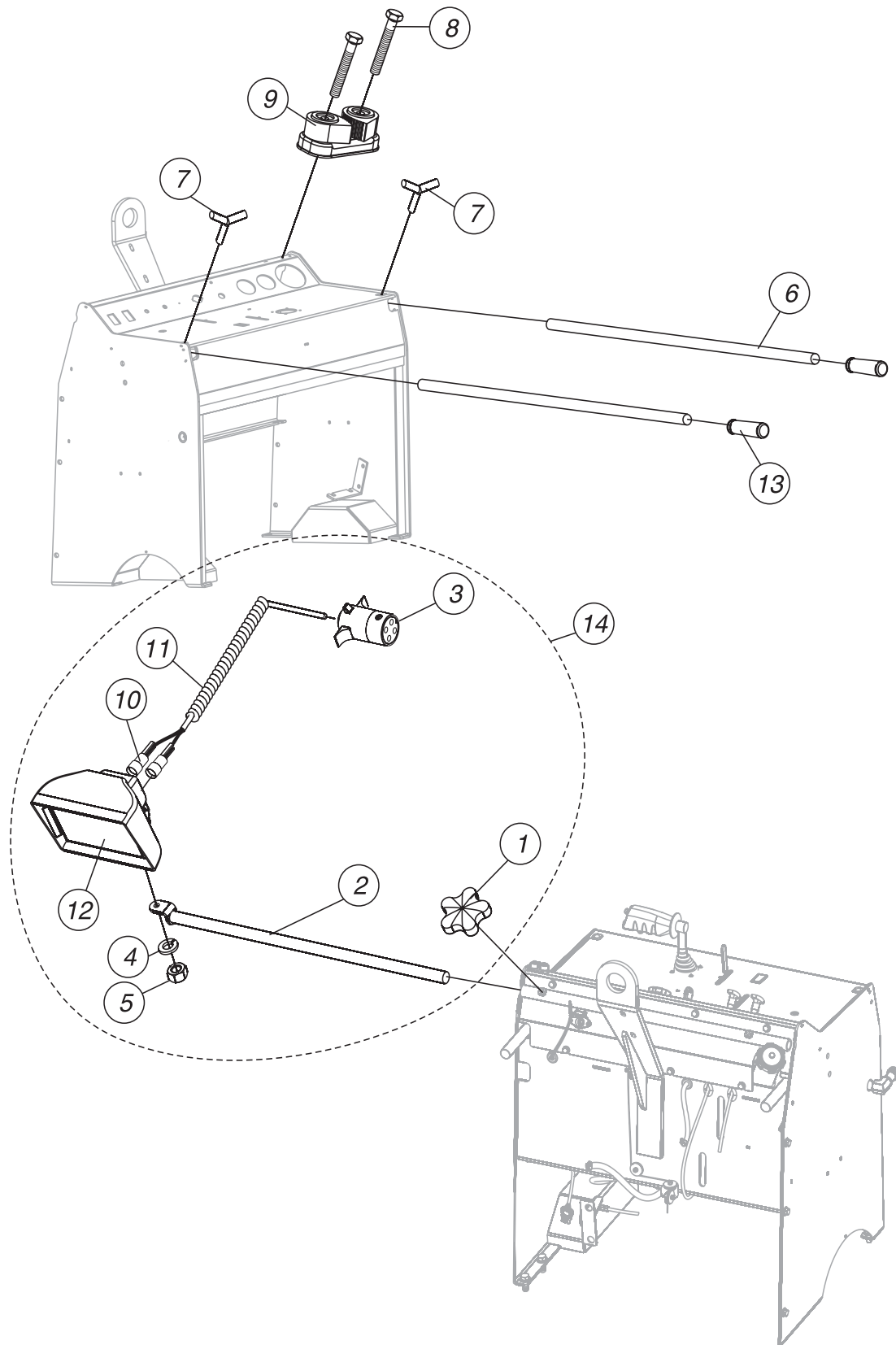
SP-6057 CONCRETE SAW — LOWER BELT GUARD ASSY.

LOWER BELT GUARD ASSY.

<u>NO.</u>	<u>PART NO.</u>	<u>PART NAME</u>	<u>QTY.</u>	<u>REMARKS</u>
1*	202001	GUARD W/A, LOWER BELT	1	
2*	583091	STRAP, LOWER BELT GUARD	1	
3*	583092	WASHER, LOWER BELT PROTECTOR	1	
4*	933244	WASHER, FLAT SAE 1/2 GRD 9 YZ	4	
5*	3214	SCREW, HHC 1/2-13 X 1 1/4	4	
6	35198	GUARD, LOWER BELT PROTECTOR KIT, 6000	1	INCLUDES ITEMS W/*

SP-6057 CONCRETE SAW — HANDLE AND LIGHT ASSY.

HANDLE AND LIGHT ASSY.



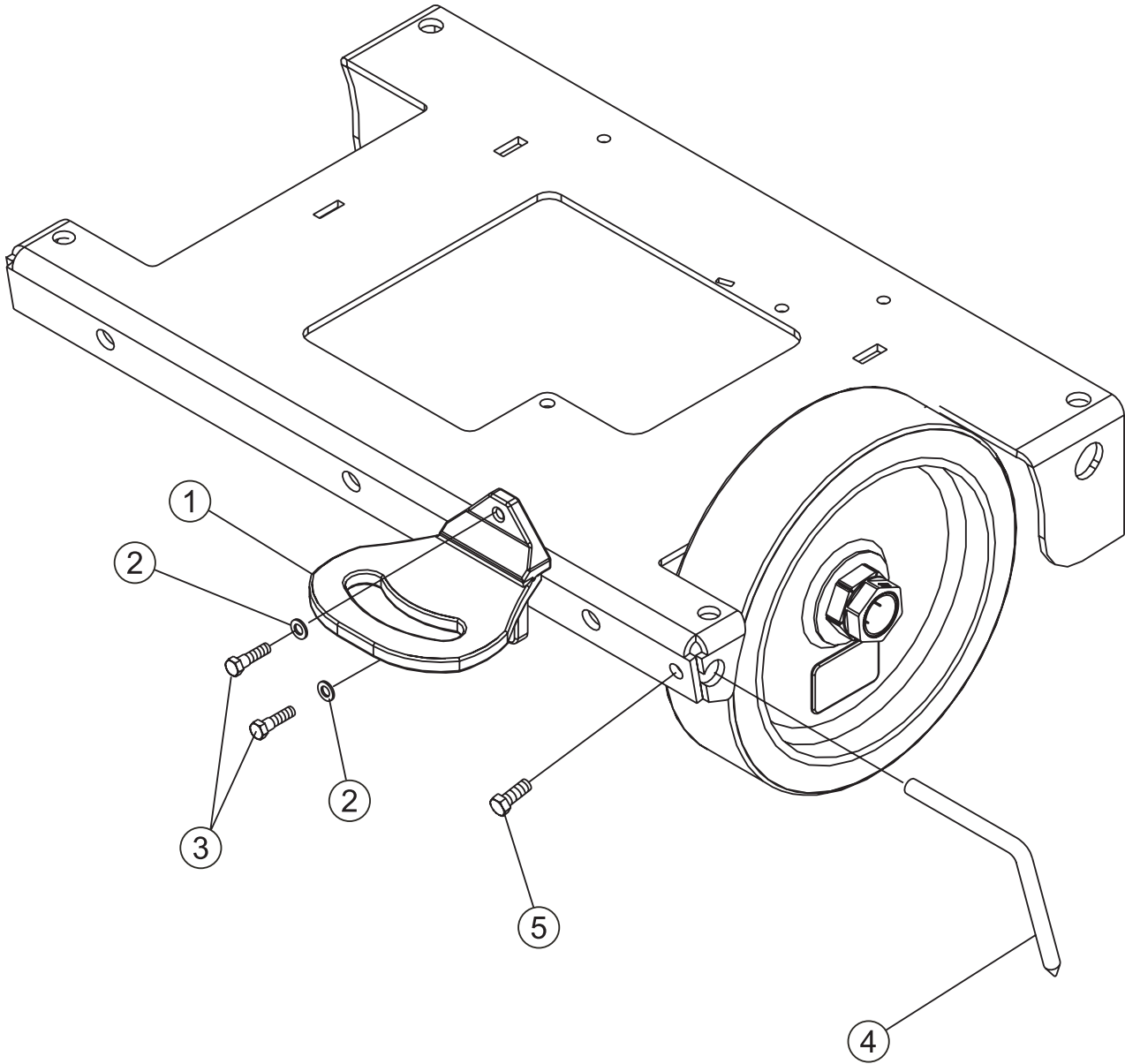
SP-6057 CONCRETE SAW — HANDLE AND LIGHT ASSY.

HANDLE AND LIGHT ASSY.

<u>NO.</u>	<u>PART NO.</u>	<u>PART NAME</u>	<u>QTY.</u>	<u>REMARKS</u>
1*	15503	KNOB, COMFORT GRIP STAR, 3/8 - 16 X 1	1	
2*	120206	LIGHT BAR W/A, CONCRETE SAW	1	
3*	405001	CONNECTOR, PLUG, 4 PIN FEMALE	1	
4*	TBD	WASHER, LOCK	1	
5*	TBD	NUT	1	
6	560023-1	HANDLE BAR, CONCRETE SAW	2	
7	560024	KNOB W/A, HANDLEBAR	2	
8	923199	SCREW, SHC 8-32 X 1-1/4	2	
9	574002	CAM CLEAT	1	
10*	35359	TERMINAL, FEM-SMALL 16-18 GA	2	
11*	405002	CORD, LIGHT-EXTENDABLE	1	
12*	2532	LIGHT ASSY., RECTANGULAR COMP.	1	
13	560017	GRIP HANDLE BAR	2	
14	M18004	LIGHT KIT	1	INCLUDES ITEMS W/*

SP-6057 CONCRETE SAW — REAR POINTER AND FOOT REST ASSY.

REAR POINTER AND FOOT REST ASSY.



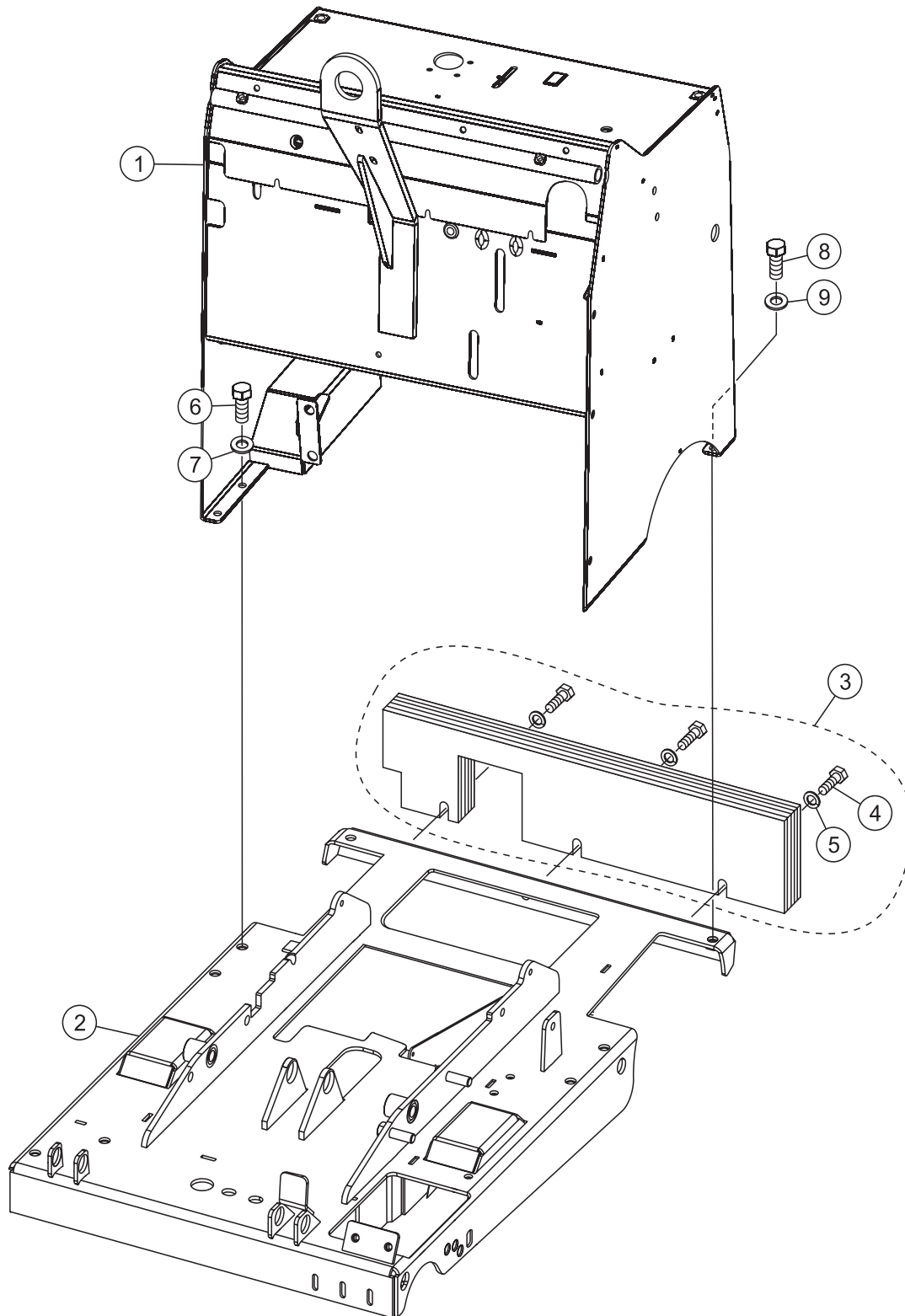
SP-6057 CONCRETE SAW — REAR POINTER AND FOOT REST ASSY.

REAR POINTER AND FOOT REST ASSY.

<u>NO.</u>	<u>PART NO.</u>	<u>PART NAME</u>	<u>QTY.</u>	<u>REMARKS</u>
1	560029	FOOT REST	1	
2	933241	WASHER, FLAT 5/16" YZ9	2	
3	0202	SCREW, HHC 5/16"-18 X 1 ZINC	2	
4	110020	REAR POINTER	1	
5	0205	HCS, 3/8-16 X1	1	

SP-6057 CONCRETE SAW — CONSOLE MOUNTING ASSY.

CONSOLE MOUNTING ASSY.



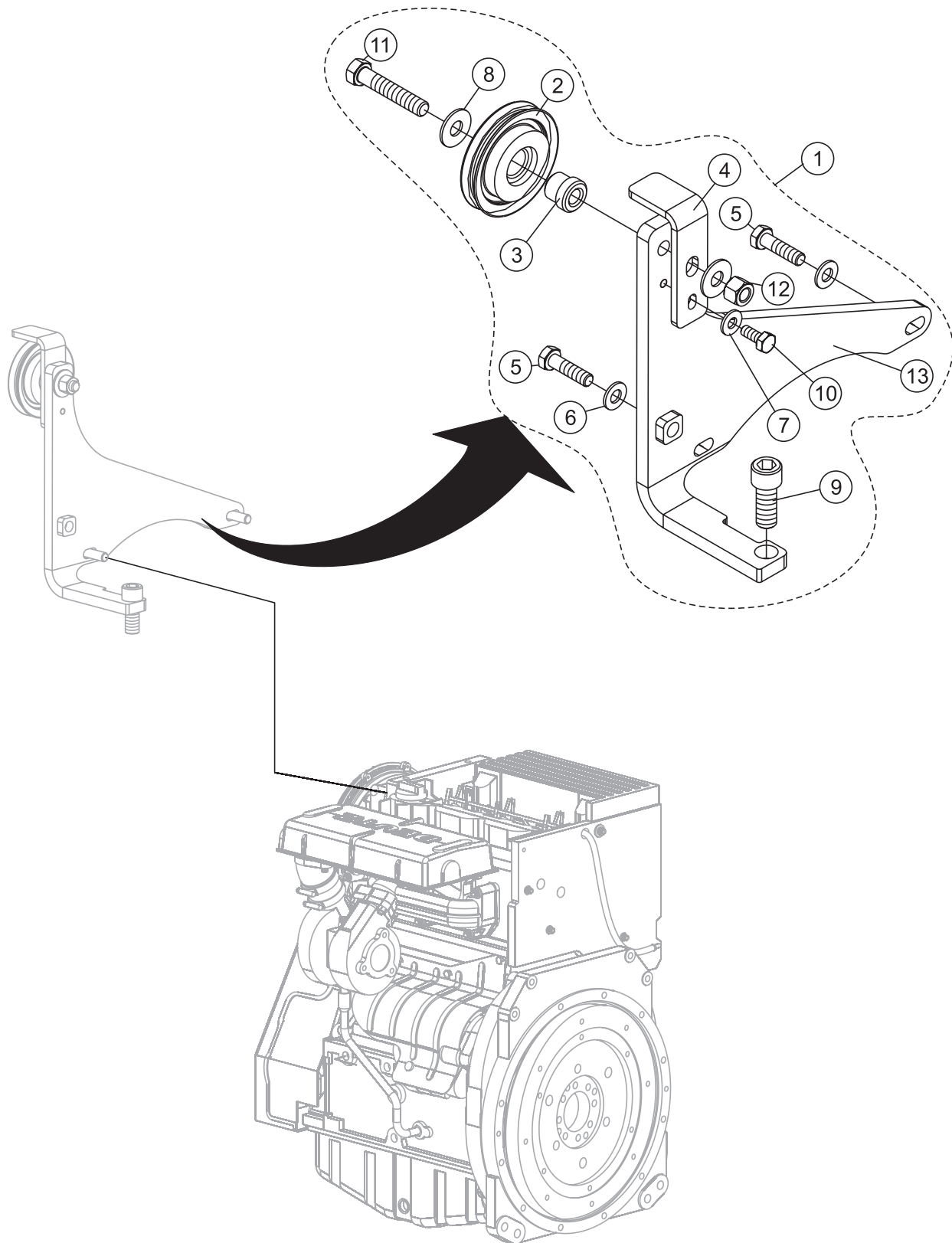
SP-6057 CONCRETE SAW — CONSOLE MOUNTING ASSY.

CONSOLE MOUNTING ASSY.

<u>NO.</u>	<u>PART NO.</u>	<u>PART NAME</u>	<u>QTY.</u>	<u>REMARKS</u>
1	102040	CONSOLE, 6057 CONCRETE SAW	1	
2	100025	FRAME PLATFORM ASSY, 6057 CONCRETE SAW	1	
3	M18011	WEIGHT KIT, 6000-6400 SERIES	1	INCLUDES ITEMS W/*
4*	EM963105	SCREW, HHC 1/2-13 X 2	3	
4*	2549	SCREW, HHC 1/2-13 X 3	3	
5*	933244	WASHER, FLAT SAE 1/2 GRD 9 YZ	3	
6	3214	SCREW, HHC 1/2-13 X 1 1/4	4	
7	933244	WASHER, FLAT SAE 1/2 GRD 9 YZ	4	
8	16530	SCREW, HHC 7/16-14 X 1	2	
9	933243	WASHER, FLAT SAE 7/16 GRD 9 YZ	2	

SP-6057 CONCRETE SAW — CABLE MOUNT ASSY.

CABLE MOUNT ASSY.



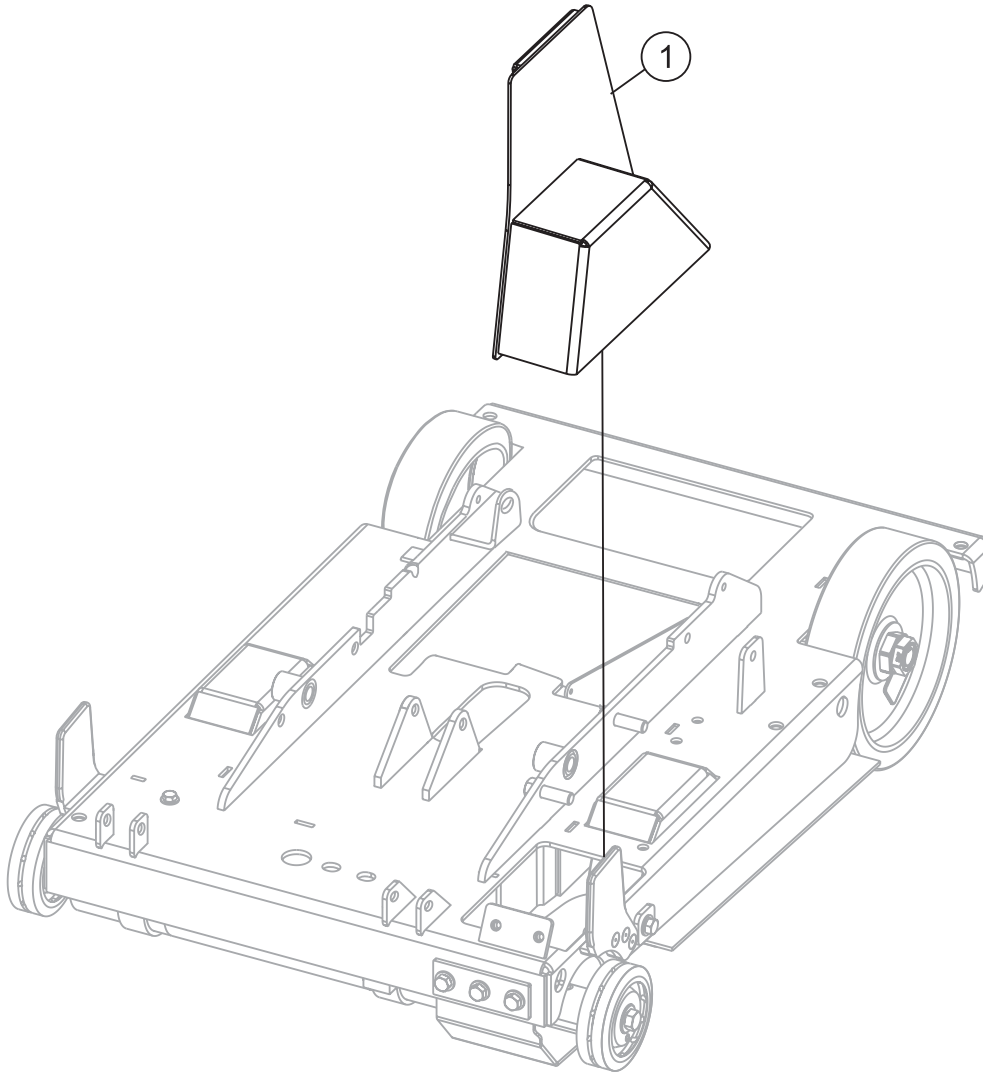
SP-6057 CONCRETE SAW — CABLE MOUNT ASSY.

CABLE MOUNT ASSY.

<u>NO.</u>	<u>PART NO.</u>	<u>PART NAME</u>	<u>QTY.</u>	<u>REMARKS</u>
1	35203	CABLE MOUNT GROUP,6000-6400	1	
2	540039	PULLY, POINTER ROPE	1	
3	544002	SHOULDER, ADAPTER	1	
4	125043-3	RETAINER, SAW POINTER CABLE	1	
5	940674	SCREW, HHC M8-1.25 X 30MM GRADE 10.9	2	
6	933241	WASHER, FLAT SAE 5/16 GRD 9 YZ	2	
7	0948	WASHER, FLAT SAE 1/4	1	
8	10136	WASHER, FLAT SAE 3/8	2	
9	939654	SCREW, SHC M12-1.75x30MM 12.9 NP	1	
10	4514	SCREW, HHC 1/4-20 X 5/8 GR 5	1	
11	1665	SCREW, HHC 3/8-16 X 2	1	
12	10133	NUT, NYLOC 3/8-16	1	
13	125043	MOUNT W/A CABLE GUIDE	1	

SP-6057 SAW — OPTIONAL FLANGE GUARD ASSY. (RIGHT-SIDE)

OPTIONAL FLANGE GUARD ASSY. (RIGHT-SIDE)



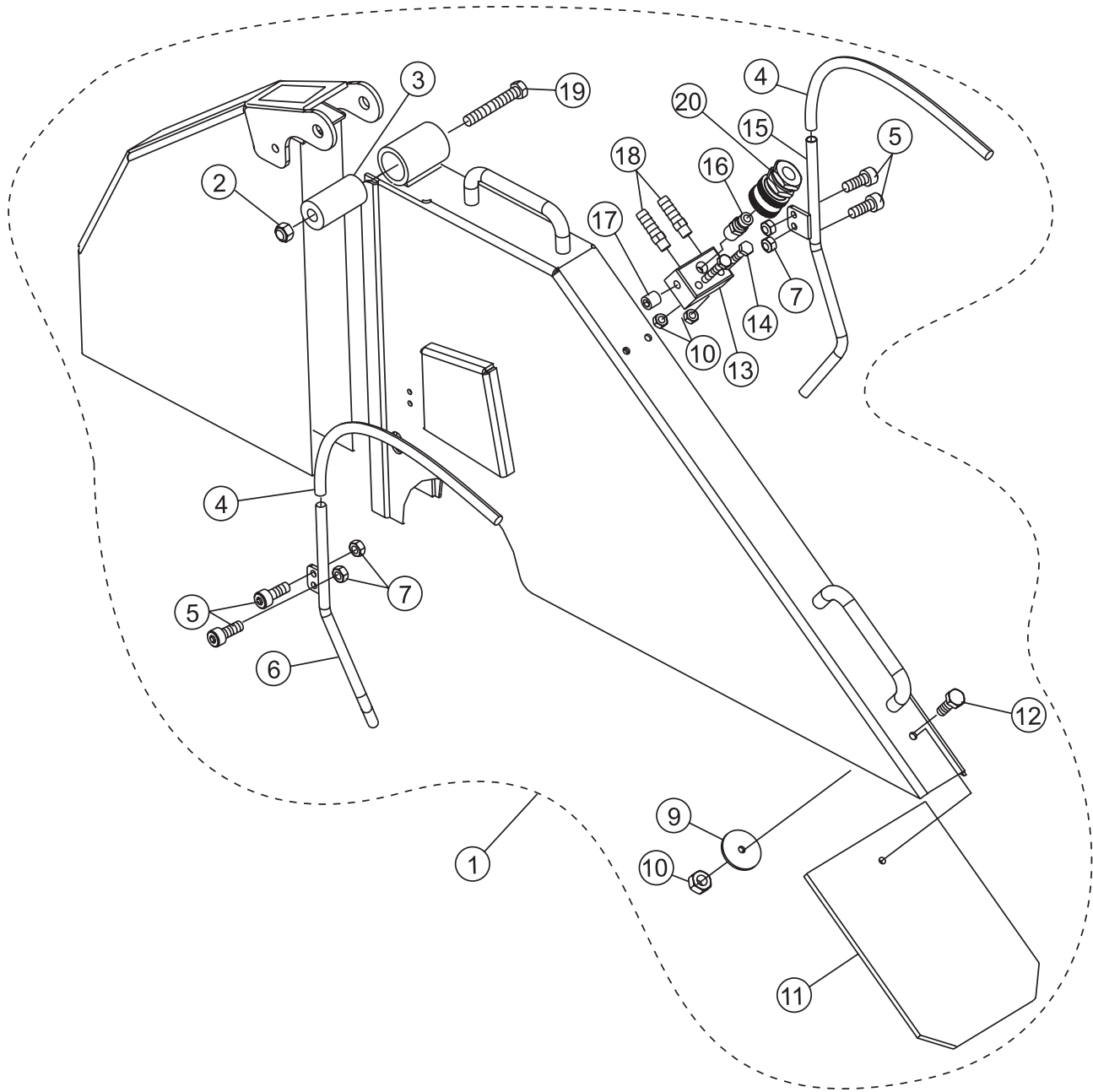
SP-6057 SAW — OPTIONAL FLANGE GUARD ASSY. (RIGHT-SIDE)

OPTIONAL FLANGE GUARD ASSY. (RIGHT-SIDE)

<u>NO.</u>	<u>PART NO.</u>	<u>PART NAME</u>	<u>QTY.</u>	<u>REMARKS</u>
1	35030	OPTIONAL FLANGE GUARD, RIGHT-SIDE	1	

SP-6057 CONCRETE SAW — BLADE GUARD ASSY.

BLADE GUARD ASSY.



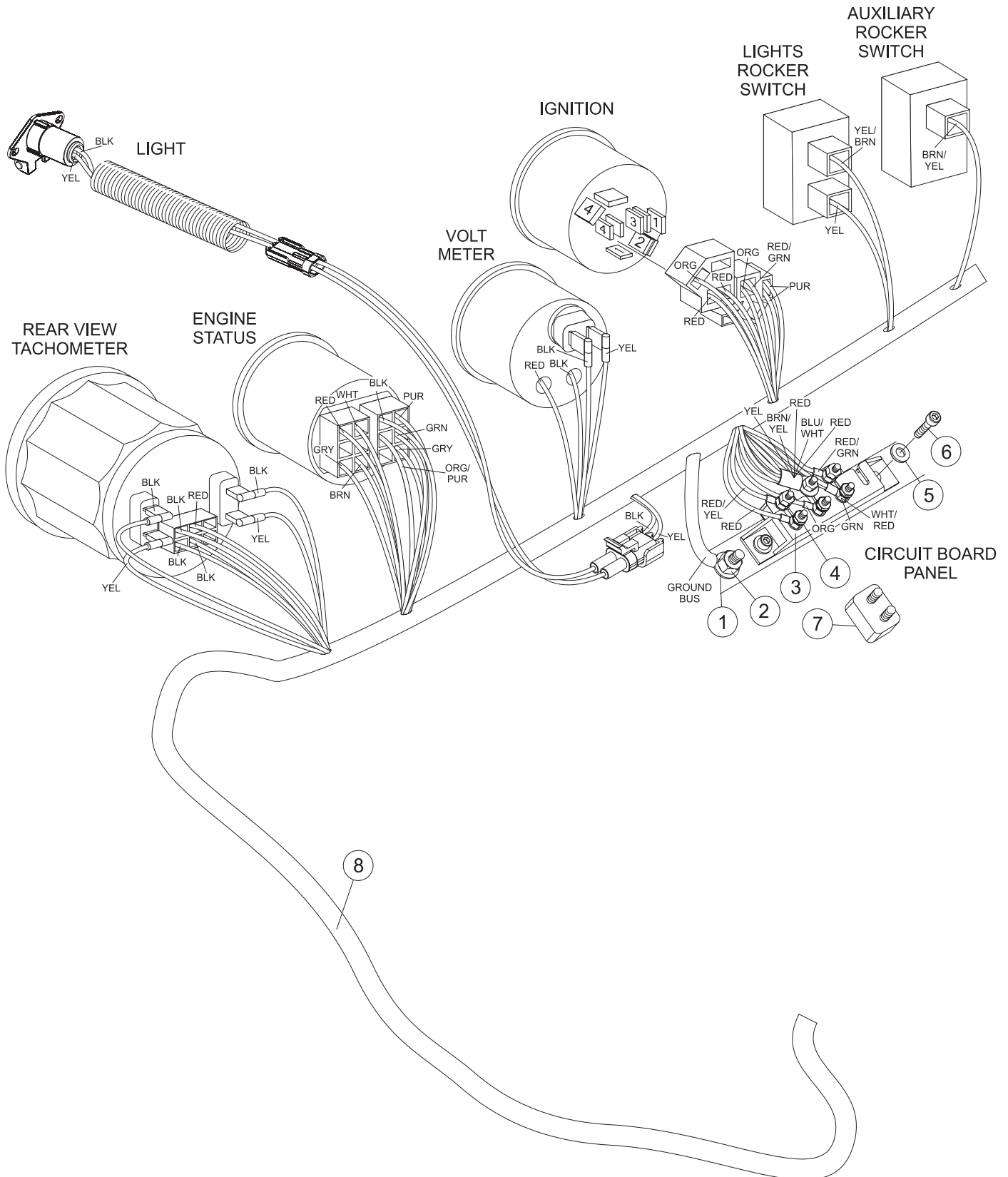
SP-6057 CONCRETE SAW — BLADE GUARD ASSY.

BLADE GUARD ASSY.

<u>NO</u>	<u>PART NO</u>	<u>PART NAME</u>	<u>QTY.</u>	<u>REMARK</u>
1	25916	BLADE GUARD 16-INCH	1	
1	25917	BLADE GUARD 20-INCH	1	
1	25918	BLADE GUARD 26-INCH	1	
1	25919	BLADE GUARD 30-INCH	1	
1	25920	BLADE GUARD 36-INCH	1	
2	10176	NUT, NYLOCK 1/2-13	1	
3	582040	BUSHING, BLADE GUARD	1	
3	582039	BUSHING, BLADE GUARD	2	30 AND 36-INCH ONLY
4	362000	HOSE, WATER #6LP	2	
4	362005	HOSE, WATER #6LP	2	
4	362006	HOSE, WATER #6LP	2	
4	362007	HOSE, WATER #6LP	2	
4	362008	HOSE, WATER #6LP	2	
5	923144	SCREW, SHC 10-24X1/2	4	
6	362003	TUBE, WATER, LH SIDE W/A	1	
7	1618	NUT, NYLOCK 10-24	4	
9	10930	WASHER, FENDER 1/4" X1-1/4" ZINC	1	
10	10024	NUT, NYLOCK 1/4"-20	3	
11	200019	FLAP, MUD BLADE GUARD	1	
12	0131 A	SCREW, HHC 1/4"-20 X 3/4"	1	
13	445002	WATER MANIFOLD	1	
13	445003	WATER MANIFOLD	1	30 AND 36-INCH ONLY
14	26250	SCREW, HHC 1/4"-20 X1-3/4"	2	
15	362002	TUBE, WATER, RH SIDE W/A	1	
16	320010	FITTING, QD MALE SNAPTITE PHN4 1/4" MP	1	
17	2113	FITTING, PLUG 1/8" MP HEX SKT HD	1	
18	370456	FITTING, STR 6BARB-1/8" MP	2	
19	06503-026	SCREW, HHC 1/2-13 X3-1/4"	1	
19	06503-030	SCREW, HHC 1/2-13 X3-3/4"	1	30 AND 36-INCH ONLY
20	320009	FITTING, QD FEM SNAPTITE PHC4-4F	1	

SP-6057 CONCRETE SAW—WIRING HARNESS/CIRCUIT BREAKER ASSY.

WIRING HARNESS/CIRCUIT BREAKER ASSY.



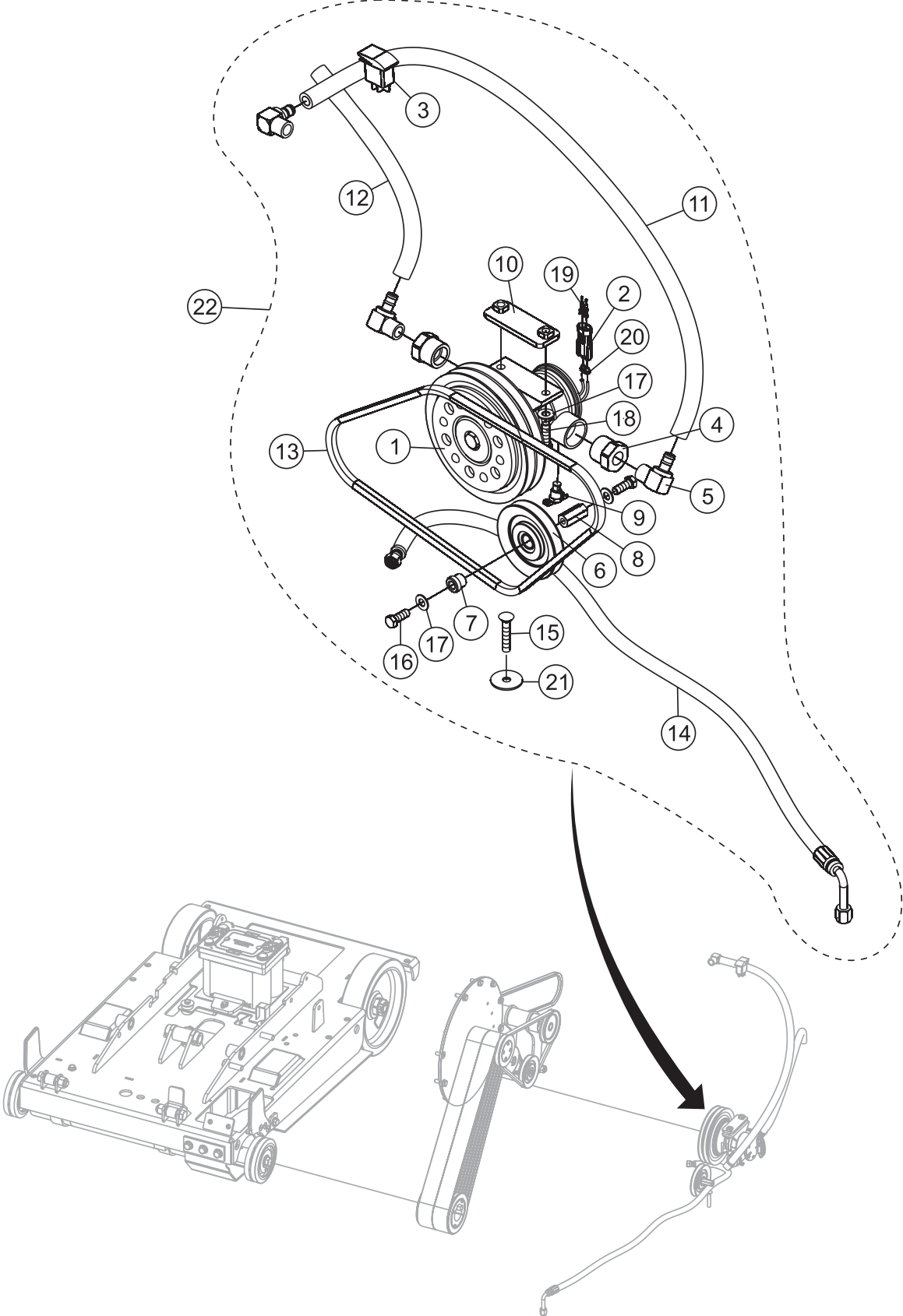
SP-6057 CONCRETE SAW—WIRING HARNESS/CIRCUIT BREAKER ASSY.

WIRING HARNESS/CIRCUIT BREAKER ASSY.

<u>NO.</u>	<u>PART NO.</u>	<u>PART NAME</u>	<u>QTY.</u>	<u>REMARKS</u>
1	933242	WASHER	1	
2	10133	NUT, NYLOC 3/8-16	1	
3	406012	MOUNTING BAR, CIRCUIT BREAKER	1	
4	25935	NUT, HEX 10-32 W/STAR WASHER	3	
5	933076	WASHER, FLAT SAE #12 ZINC	2	
6	923201	SCREW, SHC 1/4-20 X 1/2	2	
7	406019	CIRCUIT BREAKER, 10 AMP	3	

SP-6057 CONCRETE SAW — WATER PUMP KIT ASSY.

WATER PUMP KIT ASSY.



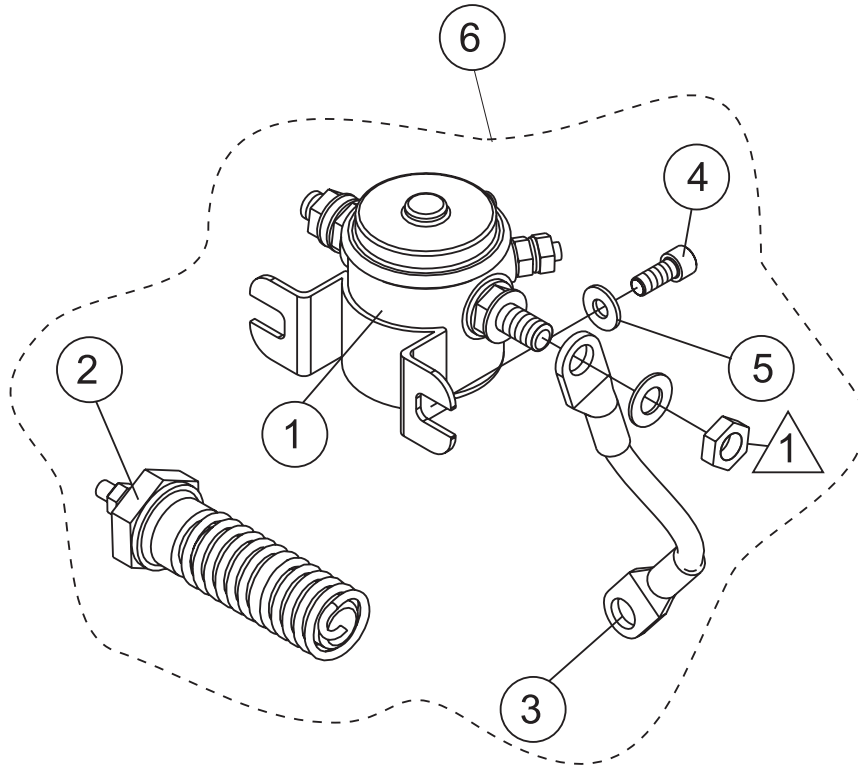
SP-6057 CONCRETE SAW — WATER PUMP KIT ASSY.

WATER PUMP KIT ASSY.

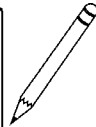
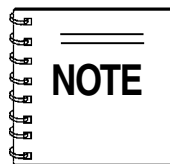
<u>NO.</u>	<u>PART NO.</u>	<u>PART NAME</u>	<u>QTY.</u>	<u>REMARKS</u>
1*	342000	PUMP, WATER JABSCO	1	
2*	12176	CONNECTOR, WEATHERPACK 2 MALE PIN	1	
3*	406000	SWITCH, ROCKER, CH# M-58031-01	1	
4*	366057	FITTING, BRASS 1/2FP-1MP	2	
5*	25931	FITTING, 90 8BARB - 1/2 MP (4390-8-8)	3	
6*	540003	PULLEY, W/BRG. 4" A SECTION	1	
7*	544002	SHOULDER, ADAPTER	1	
8*	25948	NUT, COUPLING 3/8 - 16 X 1.4	1	
9*	369970	FITTING, PETCOCK RAD DRAIN 1/4MP	1	
10*	120089	PLATE, WATER PUMP BACKING, W/A	1	
11*	35080	HOSE, #8LP-40"	1	
12*	35081	HOSE, #8LP-14.75	1	
13*	521008	V BELT, AX-46	1	
14*	35005	HOSE ASSY, 42.5" #6LP W/ 370674/370922	1	
15*	16693	BOLT, CARRAGE 3/8-16 X 2	1	
16*	0205	SCREW, HHC 3/8-16 X 1.0	2	
17*	933242	WASHER, FLAT SAE 3/8 GRD 9 YZ	4	
18*	1023	SCREW, HHC 3/8-16 X 1 1/4 GR 5	2	
19*	12179	TERMINAL, WEATHERPACK MALE 14-16 GA	2	
20*	12171	SEAL, WEATHERPACK 16-18 GA, GREEN	2	
21*	13832	WASHER, SNUBBING	1	
22	M18042	WATER PUMP KIT, 6057	1 INCLUDES ITEMS W/*

SP-6057 CONCRETE SAW — GLOW PLUG KIT ASSY.

GLOW PLUG KIT ASSY.



 1 Included with Solenoid

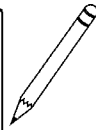
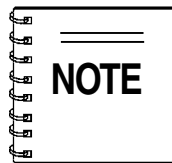


Tier 1 Engine Only

SP-6057 CONCRETE SAW — GLOW PLUG KIT ASSY.

GLOW PLUG KIT ASSY.

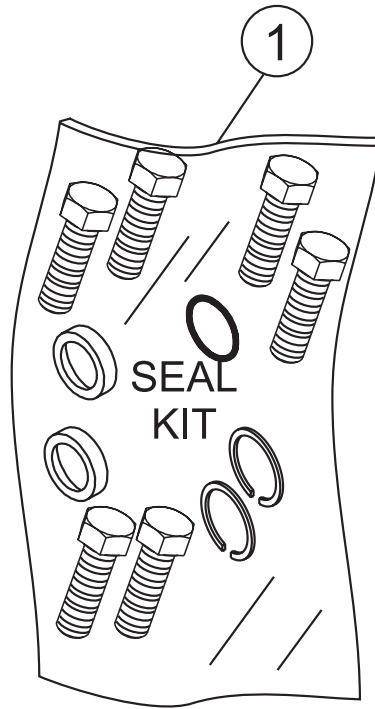
<u>NO.</u>	<u>PART NO.</u>	<u>PART NAME</u>	<u>QTY.</u>	<u>REMARKS</u>
1*	400000	SOLENOID, 12VDC	1	
2*	409000	GLOW PLUG	1	
3*	35249	CABLE ASM, BATTERY	1	
4*	25992	SCREW, SHC 12-24 X 1/2	2	
5*	2203	WASHER	2	
6	M18007	GLOW PLUG KIT	1INCLUDES ITEMS W/*



Tier 1 Engine Only

SP-6057 CONCRETE SAW — BLADESHAFT SEAL KIT ASSY.

BLADESHAFT SEAL KIT ASSY.



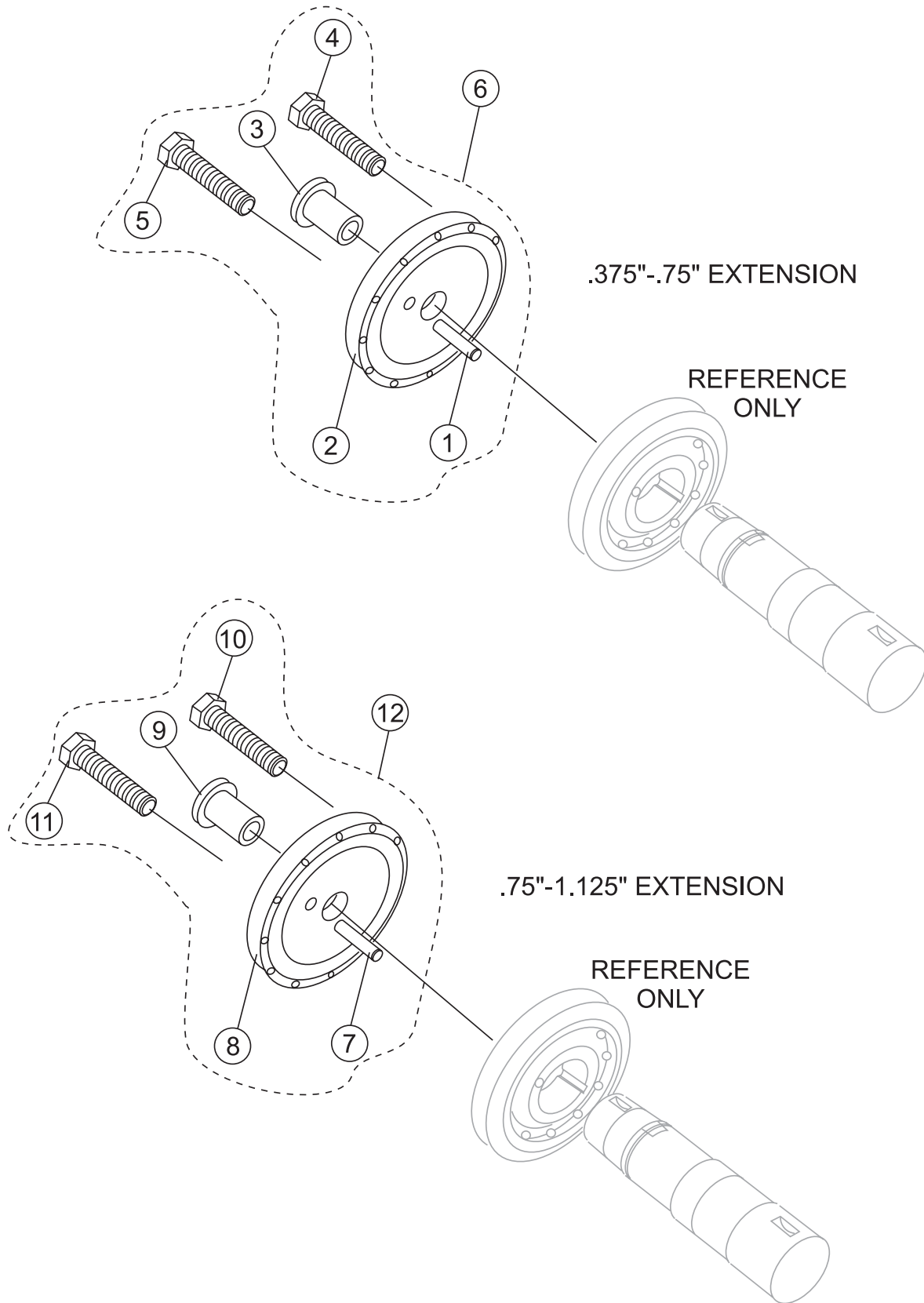
SP-6057 CONCRETE SAW — BLADESHAFT SEAL KIT ASSY.

BLADESHAFT SEAL KIT ASSY.

<u>NO</u>	<u>PART NO</u>	<u>PART NAME</u>	<u>QTY.</u>	<u>REMARKS</u>
1*	576006	SNAP RING, SH-196	2	
2*	925382	SCREW, SHS 1/4-20 X 1/2	6	
3*	480006	SEAL, OIL CR-28655	1	
4*	480007	SEAL, OIL CR-19599	2	
5*	578135	O-RING, SIZE 135, VITON	2	
6	TBD	KIT, SEAL	1	INCLUDES ITEMS W/*

SP-6057 CONCRETE SAW — BUSHING EXTENSION KITS ASSEMBLY

BUSHING EXTENSION KITS ASSEMBLY



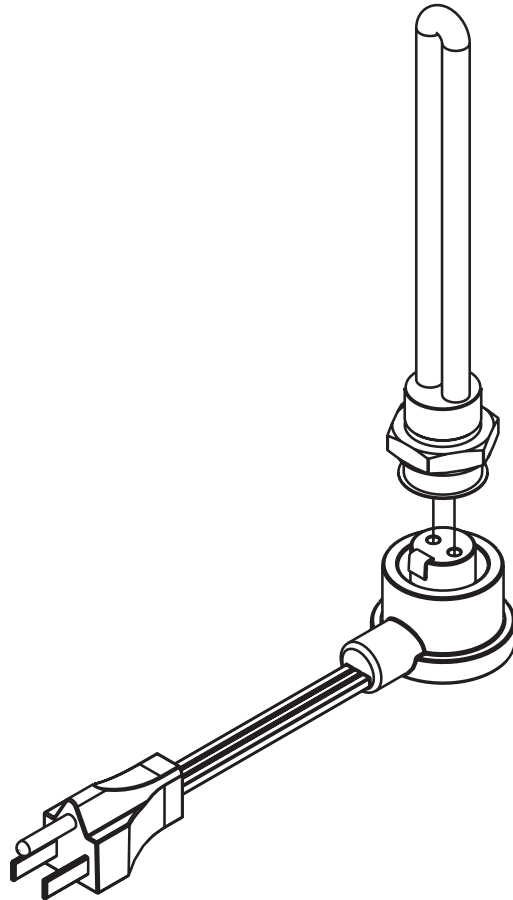
SP-6057 CONCRETE SAW — BUSHING EXTENSION KITS ASSEMBLY

BUSHING EXTENSION KITS ASSEMBLY

<u>NO.</u>	<u>PART NO.</u>	<u>PART NAME</u>	<u>QTY.</u>	<u>REMARKS</u>
1*	926949	DOWEL PIN, 3/8" X 2-1/4	1	
2*	180003	COLLAR, OUTER	1	
3*	582032	QD BUSHING, 3/8" - 3/4"	1	
4*	90123445	5/8"-11 X 4 LH HEX BOLT	1	
5*	915319	5/8"-11 X 4 RH HEX BOLT	1	
6	18501	BUSHING EXTENSION KIT (.375" — .75")	1	INCLUDES ITEMS W/*
7#	926950	DOWEL PIN, 3/8" X 2-1/2	1	
8#	180003	COLLAR, OUTER	1	
9#	582033	QD BUSHING, 3/4" - 1-1/8	1	
10#	90123445	5/8"-11 X 4 LH HEX BOLT	1	
11#	915319	5/8"-11 X 4 RH HEX BOLT	1	
12	18502	BUSHING EXTENSION KIT (.75" — 1.125")	1	INCLUDES ITEMS W/#

SP-6057 CONCRETE SAW — ENGINE BLOCK HEATER ASSY. (OPTION)

ENGINE BLOCK HEATER ASSY. (OPTION)



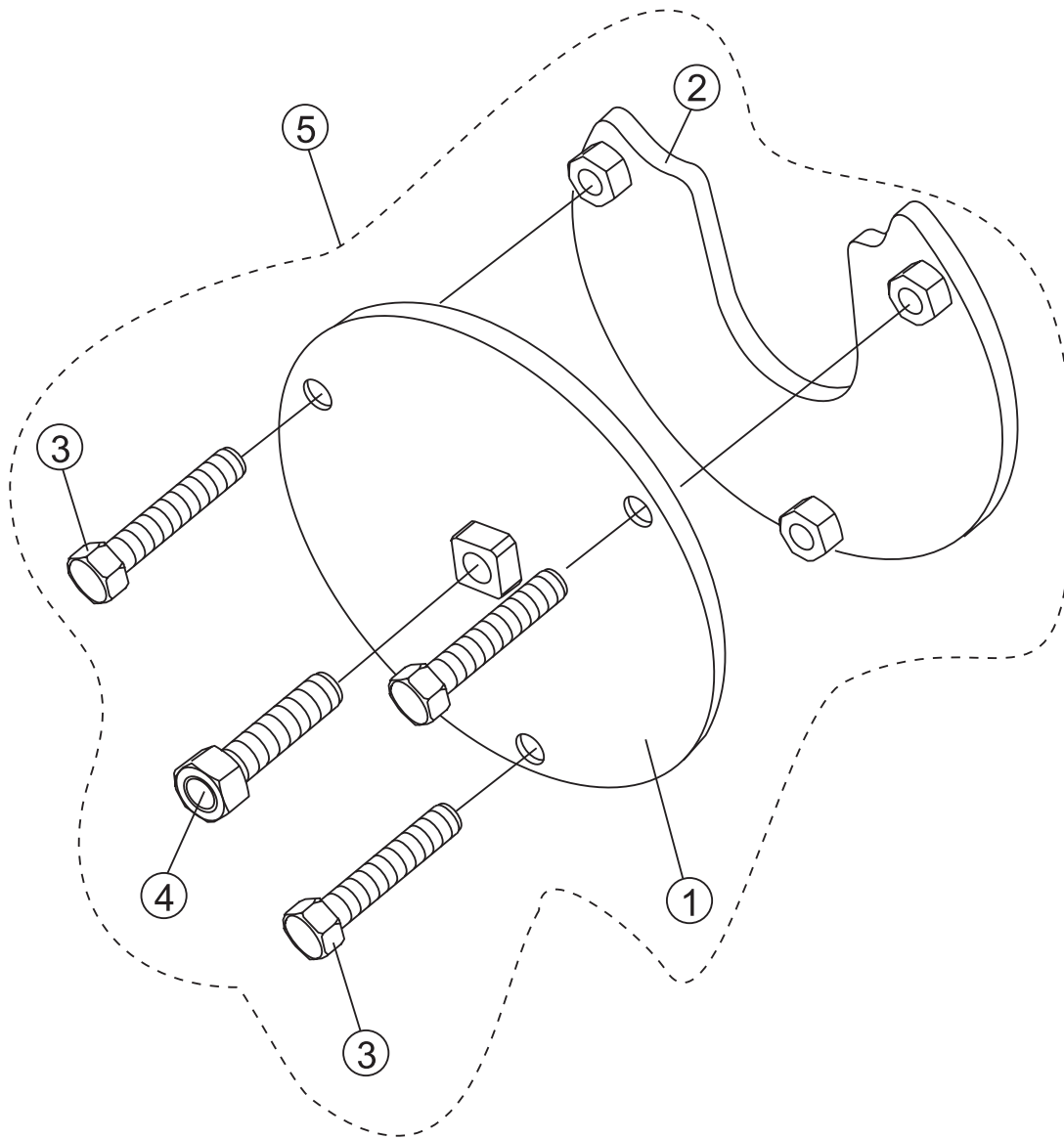
SP-6057 CONCRETE SAW — ENGINE BLOCK HEATER ASSY. (OPTION)

ENGINE BLOCK HEATER ASSY. (OPTION)

<u>NO.</u>	<u>PART NO.</u>	<u>PART NAME</u>	<u>QTY.</u>	<u>REMARKS</u>
1	M18008	HEATER, ENGINE BLOCK, DEUTZ	1	

SP-6057 CONCRETE SAW — COLLAR/FLANGE PULLER ASSY. (OPTION)

COLLAR/FLANGE PULLER (OPTION)



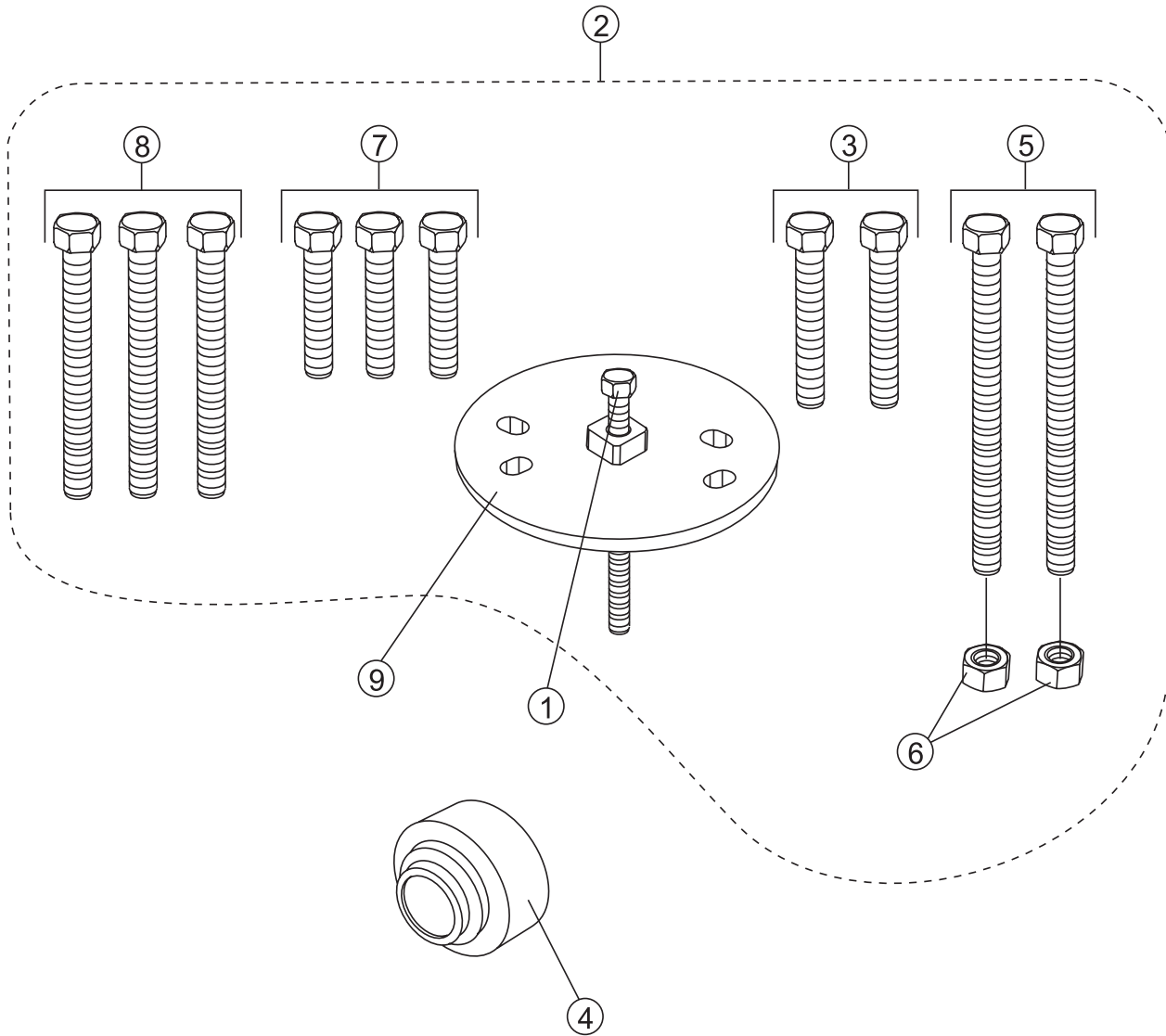
SP-6057 CONCRETE SAW — COLLAR/FLANGE PULLER ASSY. (OPTION)

COLLAR/FLANGE PULLER (OPTION)

<u>NO.</u>	<u>PART NO.</u>	<u>PART NAME</u>	<u>QTY.</u>	<u>REMARKS</u>
1*	584037	OUTER PULLER	1	
2*	584038	PLATE, PULLER	1	
3*	2549	SCREW, HHC 1/2"-13 X3	2	
4*	25138	SCREW, HHC 5/8"-11 X5 TAP	1	
5	18503	COLLAR/FLANGE PULLER ASSY. ...	1	INCLUDES ITEMS W/*

SP-6057 CONCRETE SAW — SEAL SLEEVE PULLER ASSY. (OPTION)

COLLAR/FLANGE PULLER (OPTION)



SP-6057 CONCRETE SAW — SEAL SLEEVE PULLER ASSY. (OPTION)

COLLAR/FLANGE PULLER (OPTION)

<u>NO.</u>	<u>PART NO.</u>	<u>PART NAME</u>	<u>QTY.</u>	<u>REMARKS</u>
1	35163	SCREW, HHC 3/8 – 16 X 4 FULL THREAD	1	
2	M18505	SEAL SLEEVE & THRUST WASHER PULLER ASSY.	1	INCLUDES ITEMS W/*
3*	35162	SCREW, 10 - 24 X 6 FULL THREAD	2	
4	584049	SEAL INSTALLATION TOOL	1	
5*	35161	SCREW, 10 - 24 X 12 FULL THREAD	2	
6*	937980	NUT, WELD 10 - 24	2	
7*	35164	SCREW, HHC 1/4 – 20 X 5	3	
8*	35165	SCREW, HHC 1/4 – 20 X 10	3	
9	584050	TOOL, SEAL REMOVAL	1	