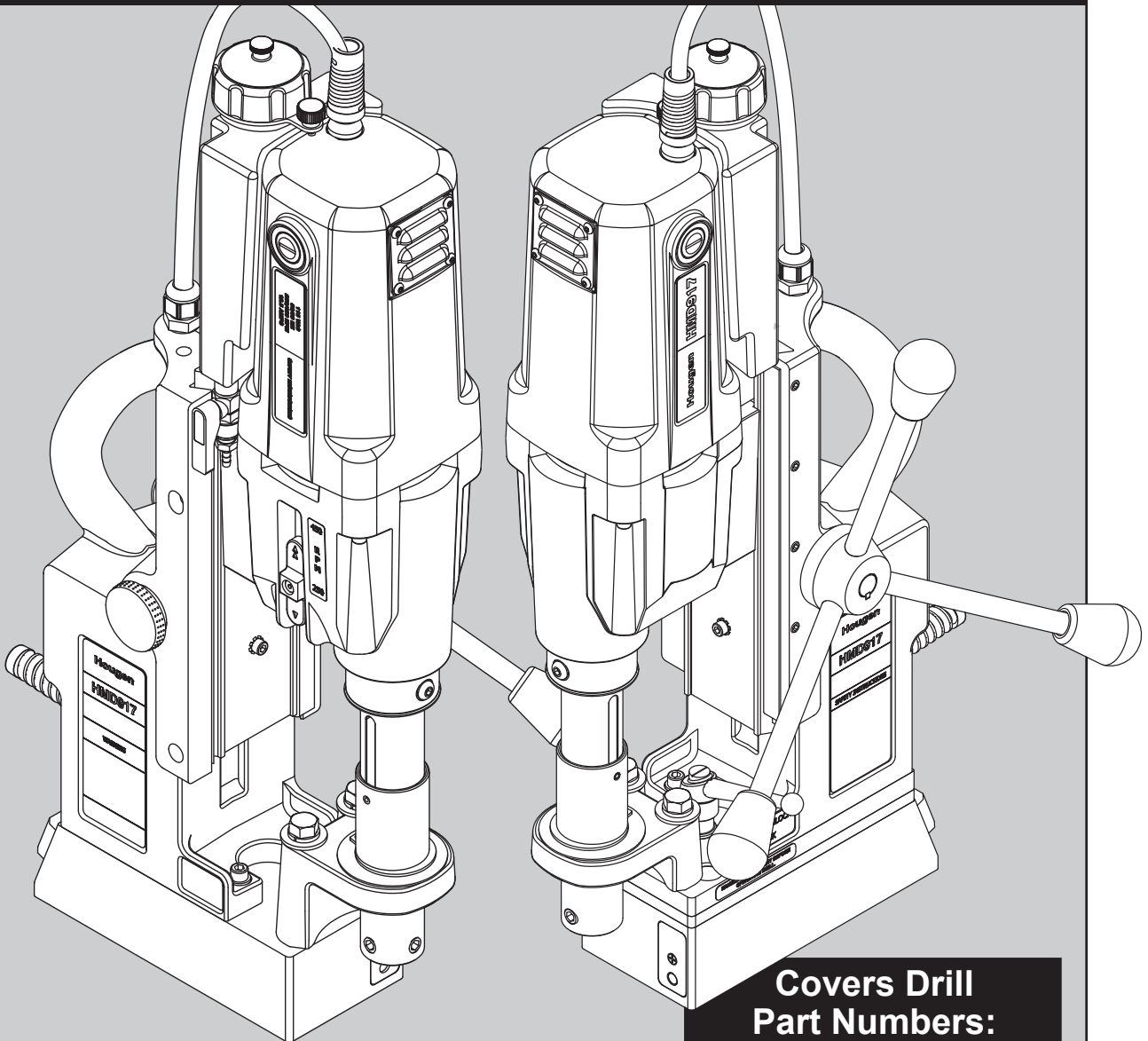




OPERATOR'S MANUAL

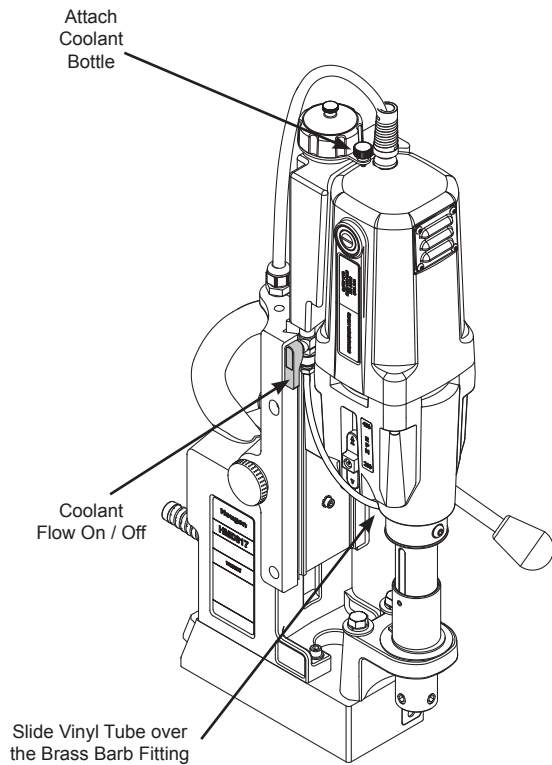
HMD917 SERIES PORTABLE MAGNETIC DRILL



**Covers Drill
Part Numbers:**

| | | |
|---------|---------|---------|
| 0917202 | 0917302 | 0917402 |
| 0917204 | 0917304 | 0917402 |

COOLANT BOTTLE ASSEMBLY



| 07950 Coolant Bottle Assembly | |
|-------------------------------|---|
| Part # | Description |
| 08255 | Coolant Bottle |
| 08061 | Coolant Bottle Bracket |
| 41044 | SCR-BHC 10-32 x 3/8 |
| 05065 | Ball Valve |
| 05067 | Brass Barb Fitting (bottom of the bottle) |
| 40304 | Vinyl Tube |
| 24124 | Cap - Coolant Bottle |

HMD917 MAG BASE DRILL 230V

Motor Assembly
(see page 12)

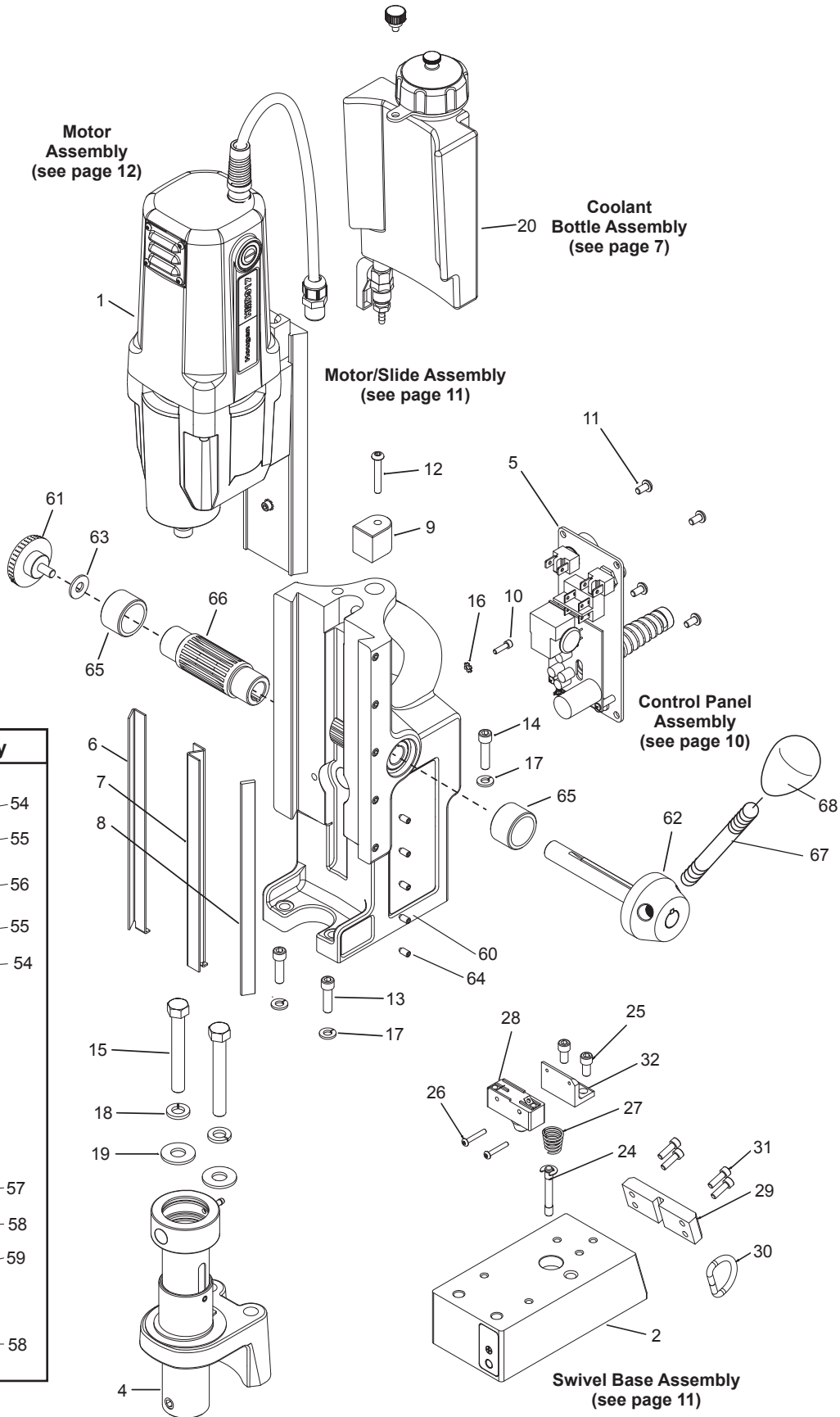
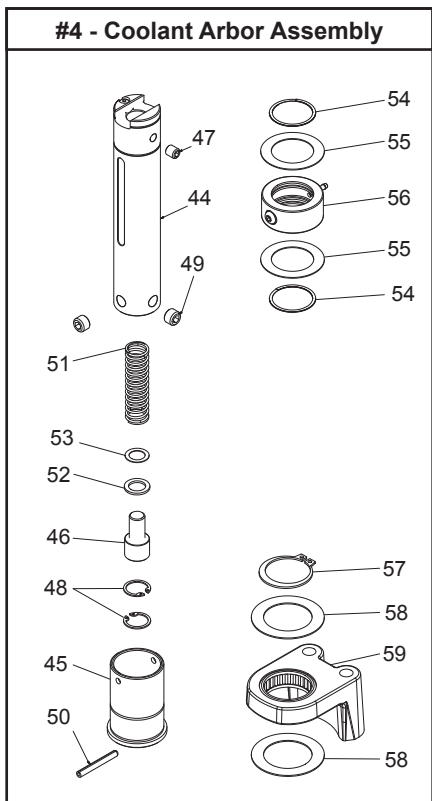
Coolant Bottle Assembly
(see page 7)

Motor/Slide Assembly
(see page 11)

Control Panel Assembly
(see page 10)

Swivel Base Assembly
(see page 11)

#4 - Coolant Arbor Assembly



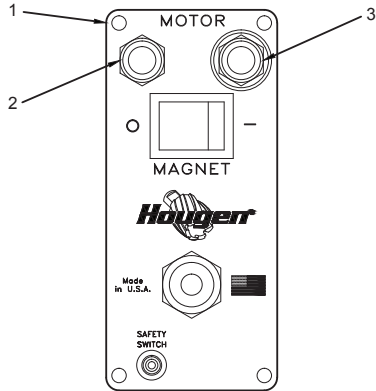
| HMD917 Breakdowns | | | |
|----------------------|--------|--------------------------------------|-----|
| Item | Part # | Description | Qty |
| 1 | 08035 | Motor / Slide Assy. | 1 |
| 4 | 07917 | Coolant Arbor Assy. Non Swivel | 1 |
| | 08116 | Coolant Arbor Assy. Swivel | 1 |
| 5 | 08249 | Control Panel | 1 |
| 6 | 07834 | Gib, Brass, Right Hand | 1 |
| 7 | 07838 | Gib, Brass, Left Hand | 1 |
| 8 | 07842 | Gib Steel | 1 |
| 9 | 07833 | Stop Block | 1 |
| 10 | 17002 | SCR SHC #6-32 x 1/2 LG | 1 |
| 11 | 41044 | SCR BHC #10-32 x 3/8 LG | 4 |
| 12 | 10559 | SCR BHC #10-32 x 1-1/4 LG | 1 |
| 13 | 10553 | SCR SHC 1/4-20 x 7/8 LG | 2 |
| 14 | 40077 | SCR SHC 1/4-20 x 1" LG | 1 |
| 15 | 40594 | Hex Bolt 3/8-24 x 3 (Non-Swivel) | 2 |
| | 07088 | Hex Bolt 3/8-24 x 2-1/4 (Non-Swivel) | 2 |
| 16 | 90052 | Lock Washer Ext. #6 | 1 |
| 17 | 90028 | Lock Washer Helical 1/4 | 3 |
| 18 | 40391 | Lock Washer Helical 3/8 | 2 |
| 19 | 40392 | Washer Flat 3/8 Type A | 2 |
| 20 | 07950 | Coolant Bottle Assembly | 1 |
| Accessories Included | | | |
| | 10565 | Hex Key 1/8 wrench | 1 |
| | 10730 | Safety Chain 3/16 X 5' w/Snap Hook | 1 |
| | 08080 | Carrying Case w/Label | 1 |
| | 24166 | 7/32" Hex Key for Arbor | 1 |
| | 13013 | 5/32" Allen Wrench | 1 |
| 67 | 10569 | Feed Handle | 3 |
| 68 | 04532 | Knob - Oval | 3 |

| 08041 Magnet Assembly | | | |
|-----------------------|--------|--------------------------|-----|
| Item | Part # | Description | Qty |
| 2 | 08042 | Magnet | 1 |
| 24 | 04961 | Plunger Assy. | 1 |
| 25 | 10971 | SCR SHC 1/4-20 x 1/2" LG | 2 |
| 26 | 10972 | SCR BHC #6-32 x 7/8" LG | 2 |
| 27 | 17271 | Spring - Taper, Comp. | 1 |
| 28 | 04885 | Microswitch Assy. | 1 |
| 29 | 07887 | Plate - Ring Retaining | 1 |
| 30 | 24144 | D-Ring | 1 |
| 31 | 41046 | SCR SHC #10-32 x 1/2" LG | 4 |
| 32 | 04909 | Bracket - Safety Switch | 1 |

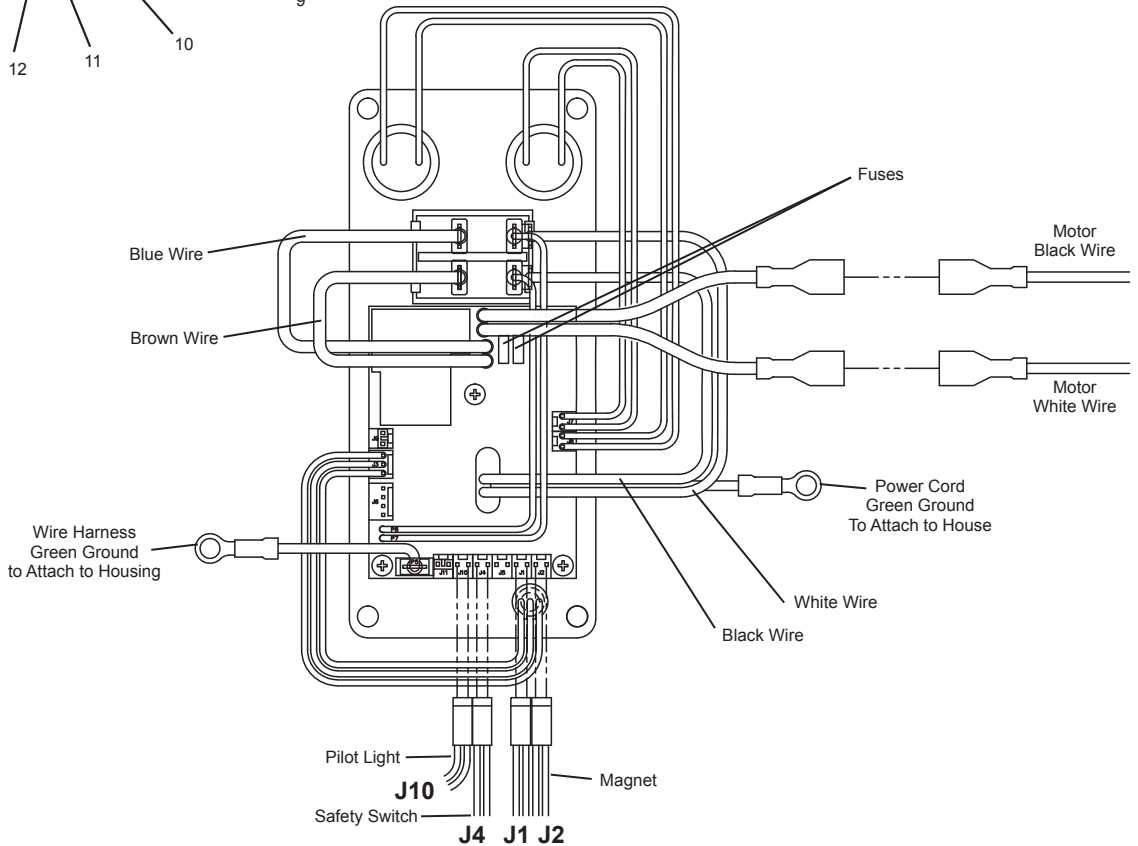
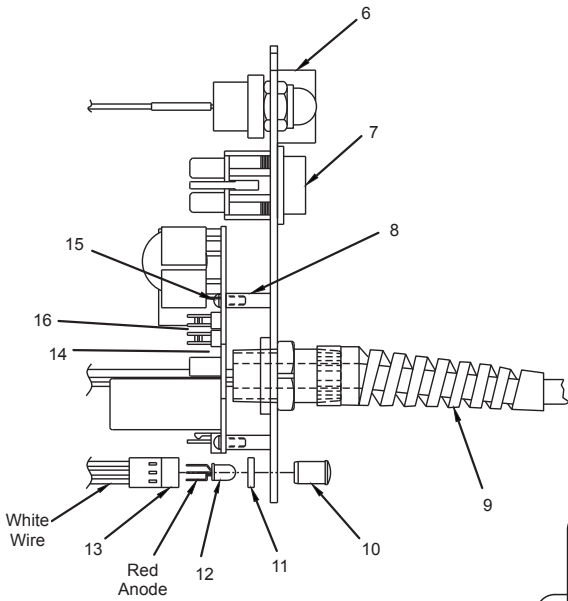
| 08116 Coolant Arbor Assembly | | | |
|------------------------------|--------|--|-----|
| Item | Part # | Description | Qty |
| 44 | 07075 | Arbor - Coolant | 1 |
| 45 | 40223 | Collar Ejector | 1 |
| 46 | 07079 | Spring Seat | 1 |
| 47 | 40256 | SCR Set 5/16-18 x 3/8 Oval Pt | 1 |
| 48 | 10517 | Ring - Retaining Internal | 2 |
| 49 | 40222 | SCR Set 7/16-14 x .305 | 2 |
| 50 | 40312 | Pin-Roll 3/16 dia x 1.564 Altered | 1 |
| 51 | 05049 | Spring - Comp | 1 |
| 52 | 07436 | Washer - Rubber | 1 |
| 53 | 07440 | Washer - Shim 12 x 18 x .5mm | 1 |
| 54 | 40302 | Ring - Retaining | 2 |
| 55 | 40301 | Washer, Thrust 1-3/8 x 2-1/16 x 1/32 | 2 |
| 56 | 07445 | Coolant Inducer | 1 |
| | 40300 | O-Ring (<i>not shown</i>) | 1 |
| | 07447 | Fitting - Hose Barb Brass (<i>not shown</i>) | 1 |
| | 07082 | SCR BHC 1/4-28 x 1/4 (<i>not shown</i>) | 1 |
| 57 | 40398 | Ring - Retaining | 1 |
| 58 | 40234 | Washer, Thrust | 2 |
| 59 | 07918 | Front Support Bracket Assy. | 1 |
| | 08117 | Front Support Bracket Assy. - Swivel | 1 |

| 07921 Housing Assembly | | | |
|------------------------|--------|----------------------------|-----|
| Item | Part # | Description | Qty |
| 60 | 07922 | Drill Housing | 1 |
| 61 | 05839 | Knob - Comfort Rubber Grip | 1 |
| 62 | 40254 | Hub Assembly | 1 |
| 63 | 10679 | Washer - Flat 1/4 Type A | 1 |
| 64 | 40237 | Gib Screws | 5 |
| 65 | 40231 | Bushing - Bronze | 2 |
| 66 | 40229 | Feed Gear | 1 |

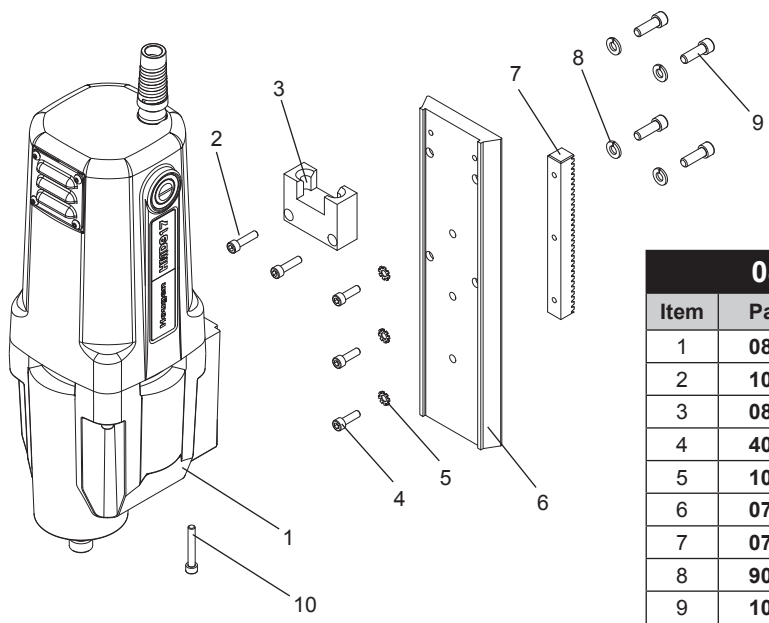
CONTROL PANEL BREAKDOWN & WIRING



| 08249 Panel Assembly 08250 Panel Assembly - Type I | | | |
|---|--------|------------------------------|-----|
| Item | Part # | Description | Qty |
| 1 | 07011 | Faceplate | 1 |
| 2 | 01335 | Switch - Motor Off | 1 |
| 3 | 01334 | Switch - Motor On | 1 |
| 6 | 01226 | Guard Switch | 1 |
| 7 | 04664 | Magnet Switch | 1 |
| 8 | 02548 | Stand Off | 3 |
| 9 | 07299 | Power Cord Assembly | 1 |
| | 08287 | Power Cord Assembly - Type I | 1 |
| 10 | 04879 | Lens Clear L.E.D. | 1 |
| 11 | 04878 | Spacer L.E.D. | 1 |
| 12 | 04881 | Bulb L.E.D. | 1 |
| 13 | 04877 | Wire Harness L.E.D. | 1 |
| 14 | 08673 | Circuit Board | 1 |
| 15 | 02547 | SCR #4-40 x 5/16 LG | 3 |
| 16 | 07522 | Fuse | 2 |

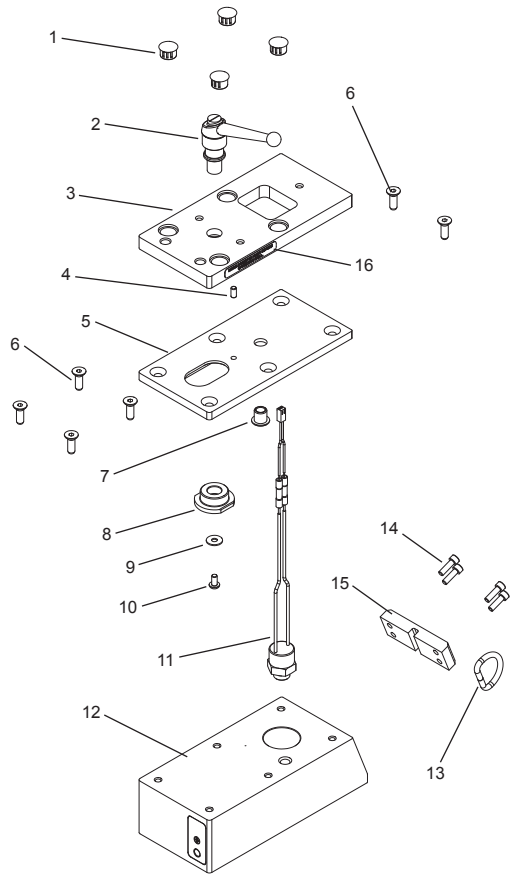


MOTOR SLIDE ASSEMBLY BREAKDOWN



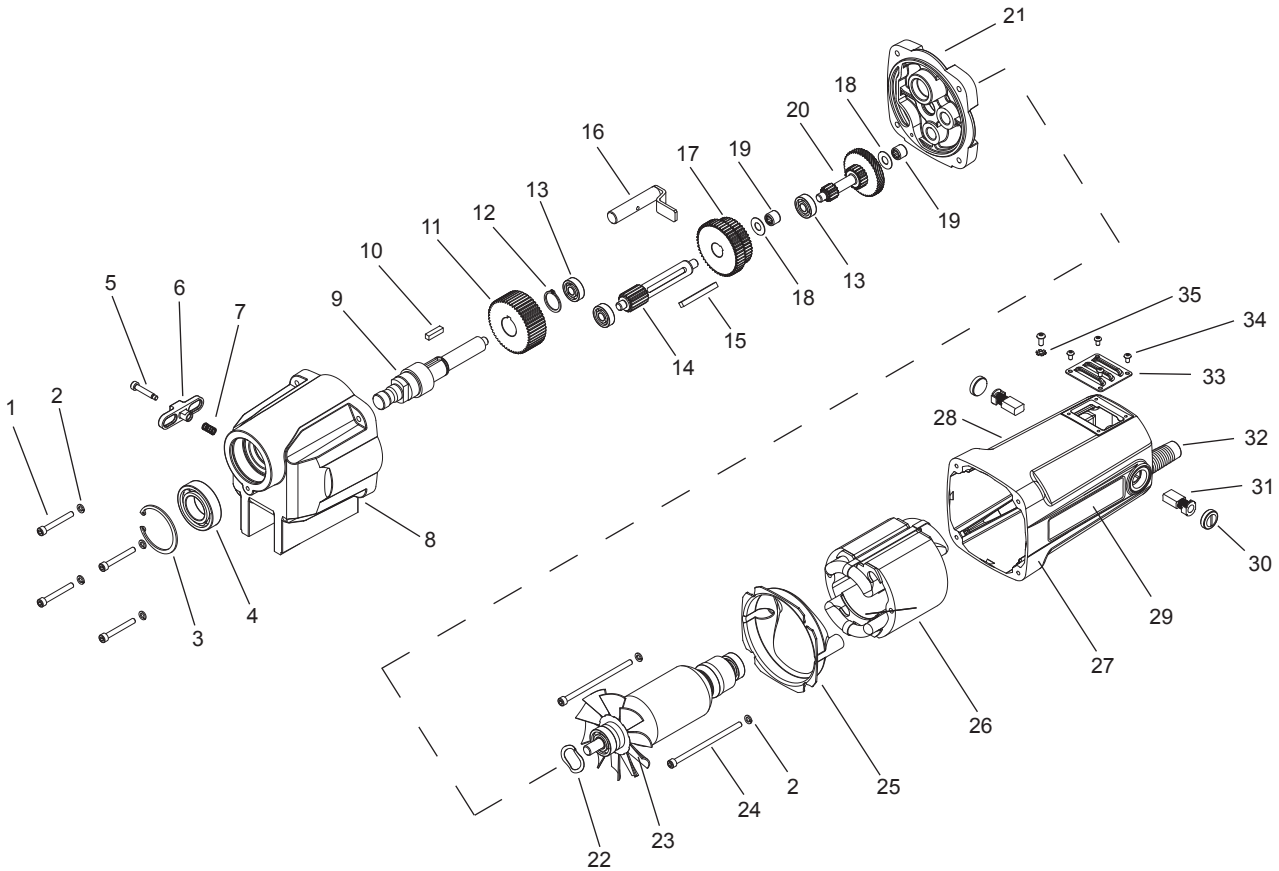
| 08035 Motor & Slide Assembly | | | |
|------------------------------|--------|-------------------------|-----|
| Item | Part # | Description | Qty |
| 1 | 08036 | Motor Complete Assembly | 1 |
| 2 | 10649 | SCR BHC #10-32 x 3/4 | 2 |
| 3 | 08063 | Bottle Support | 1 |
| 4 | 40038 | SCR SHC #10-32 x 5/8 LG | 3 |
| 5 | 10560 | Lock Washer Ext. #10 | 3 |
| 6 | 07862 | Slide - Dovetail | 1 |
| 7 | 07934 | Rack - Gear | 1 |
| 8 | 90028 | Lock Washer Helical 1/4 | 4 |
| 9 | 10624 | SCR SHC 1/4-20 x 3/4 | 4 |
| 10 | 51044 | SCR SHC 10-32 X 1-1/4 | 1 |

SWIVEL BASE MAGNET ASSEMBLY BREAKDOWN



| 08109 Swivel Magnet Assembly | | | |
|------------------------------|--------|----------------------------|-----|
| Item | Part # | Description | Qty |
| 1 | 07216 | Plug Hole | 4 |
| 2 | 05659 | Clamp Handle Assembly | 1 |
| 3 | 08096 | Swivel Plate | 1 |
| 4 | 02898 | Dowel Pin | 1 |
| 5 | 08097 | Slide Plate | 1 |
| 6 | 05743 | SCR FHC 1/4-20 x 3/4 LG | 6 |
| 7 | 07215 | Bushing - Flange | 1 |
| 8 | 05658 | Pivot - Rod | 1 |
| 9 | 90237 | Washer - Flat #10 | 1 |
| 10 | 41044 | SCR BHC #10-32 x 3/8 LG | 1 |
| 11 | 05652 | Ball Switch Assembly | 1 |
| 12 | 08110 | Magnet & Safety Switch Asm | 1 |
| | 05975 | Plunger (not shown) | 1 |
| 13 | 24144 | D - Ring | 1 |
| 14 | 41046 | SCR SHC #10-32 x 1/2" LG | 4 |
| 15 | 07887 | Plate - Retaining Ring | 1 |
| 16 | 07230 | Label - Swivel Warning | 1 |

MOTOR PARTS DIAGRAM



08036 Motor Assembly

| Item | Part # | Description | Qty | Item | Part # | Description | Qty |
|------|--------|----------------------------|-----|------|--------|-----------------------------|-----|
| 1 | 41048 | SCR-SHC #10-32 x 1-1/2 | 4 | 20 | 07911 | Assembly Gears #2 & #3 | 1 |
| 2 | 50038 | Washer - Lock Helical #10 | 6 | 21 | 07828 | Gear Box Cover | 1 |
| 3 | 07860 | Retaining Ring | 1 | 22 | 08070 | Washer - Spring | 1 |
| 4 | 40274 | Bearing 25MM x 47MM x 12MM | 1 | 23 | 08039 | Armature Assembly | 1 |
| 5 | 08069 | SCR-SHSLD 3/16 x 7/8 | 1 | 24 | 07895 | SCR-SHC #10-32 x 3-1/2 LG | 2 |
| 6 | 07908 | Switch | 1 | 25 | 07892 | Baffle | 1 |
| 7 | 07910 | Spring-Comp | 1 | 26 | 08040 | Field | 1 |
| 8 | 07826 | Gear Box Housing | 1 | 27 | 07896 | Motor Brush Holder Assembly | 1 |
| 9 | 07901 | Spindel - Motor Drive | 1 | 28 | 08038 | Motor Specs Label | 1 |
| 10 | 07904 | Key | 1 | 29 | 07873 | Motor Label | 1 |
| 11 | 07900 | Gear Spur Removable | 1 | 30 | 24044 | Brush Holder Cap | 2 |
| 12 | 24160 | Retaining Ring | 1 | 31 | 24045 | Carbon Brushes | 2 |
| 13 | 24100 | Ball Bearing | 3 | 32 | 08338 | Motor Cord | 1 |
| 14 | 07899 | Gear Spur Removable | 1 | 33 | 07848 | Cover, Brush Access | 1 |
| 15 | 07905 | Key | 1 | 34 | 02385 | SCR-BHC #6-32 x 1/4 | 4 |
| 16 | 07868 | Shift Control Rod Arm | 1 | 35 | 10538 | Washer - Lock | 1 |
| 17 | 07914 | Assembly, Change gear | 1 | | | | |
| 18 | 17610 | Washer - Flat 8mm | 2 | | | | |
| 19 | 07903 | Needle Bearing | 2 | | | | |