

MANUALE RICAMBI - SPARE PARTS CATALOG

MINI TRASPORTATORE CINGOLATO CARRY105
CRAWLER COMPACT DUMPER CARRY105

numeri di serie a partire dal n°:

serial number from nr.:

MB000010

USE OF THE PARTS CATALOG

1. Preface.

Illustrations and diagrams shown in the parts catalog are shown to the extent necessary to identify the part, but are not meant to serve as a detailed representation of the part. To order parts, refer to the itemization given below, then place your order with the servicing plant designated by KATO IMER.

2. How to read the Parts Catalog.

a) An index and table of contents list each item separately. Please, refer to the necessary sections.

b) Meanings of symbols preceding the parts number.

X Part cannot be supplied.

☆ Supplied as a separate part.

Part number is indicated in the remarks column.

△ Special order parts, which are manufactured after the order is received.


Detailed diagram provided separately. Sheet number indicated in the remarks column.


c) An asterisk preceding the part name indicates a compositional part required in part assembly. All subsequent multiple asterisks indicate parts that are structurally required for the assembly of the preceding part.


d) The quantity. In principle, indicates the number of parts required for one unit of machinery. For parts requiring assembly, the number of parts required to assembly one set is given.

e) Interchange ability of parts is shown as follows:

0750 729 UA  Change from part shown at the top to part shown below.

0750 744 UA  The new part is interchangeable with the old.

0750 659 UA  Change from part shown at the top to part shown below.

0750 669 UA  The new part is not interchangeable with the old.

f) Suitability for various machinery.

26127~ Part used in equipment numbered 26127 and equipment subsequently numbered.

26127~26169 Part used in equipment numbered 26127 through 26169.

g) Notes and meaning of abbreviations.

Sh.No. Sheet n. I.D. Inside diameter

L Length O.D. Outside diameter

t Thickness P. Pitch

W/ With AR As required (number required)

W/O Without

3. Engine part orders: Please order from your local sales distributor or engine manufacturer, using their catalog.

4. When placing an order for parts, please check that you have clearly specified the following: (1) machinery name, (2) machinery number, (3) parts number, (4) parts name and (5) quantity of parts you are ordering.

5. With regard to improvements to equipment, such modifications may be made without notice.

CARRY105

CONTENTS

CONTENUTI

LOWER MACHINE TELAIO BASSO	1
TOOLS ACCESSORI	2
HYDRAULIC PIPING IMPIANTO IDRAULICO	3
POWER UNIT UNITA' DI POTENZA	4
OPERATOR POSITION, COVER & RELATED PARTS POSTO GUIDA, CARTERATURE E RELATIVI ACCESSORI	5
HYDRAULIC INSTRUMENT STRUMENTAZIONE IDRAULICA	6
OPTIONAL ACCESSORIES ACCESSORI OPZIONALI	7
PARTS INDEX INDICE DELLE PARTI	8

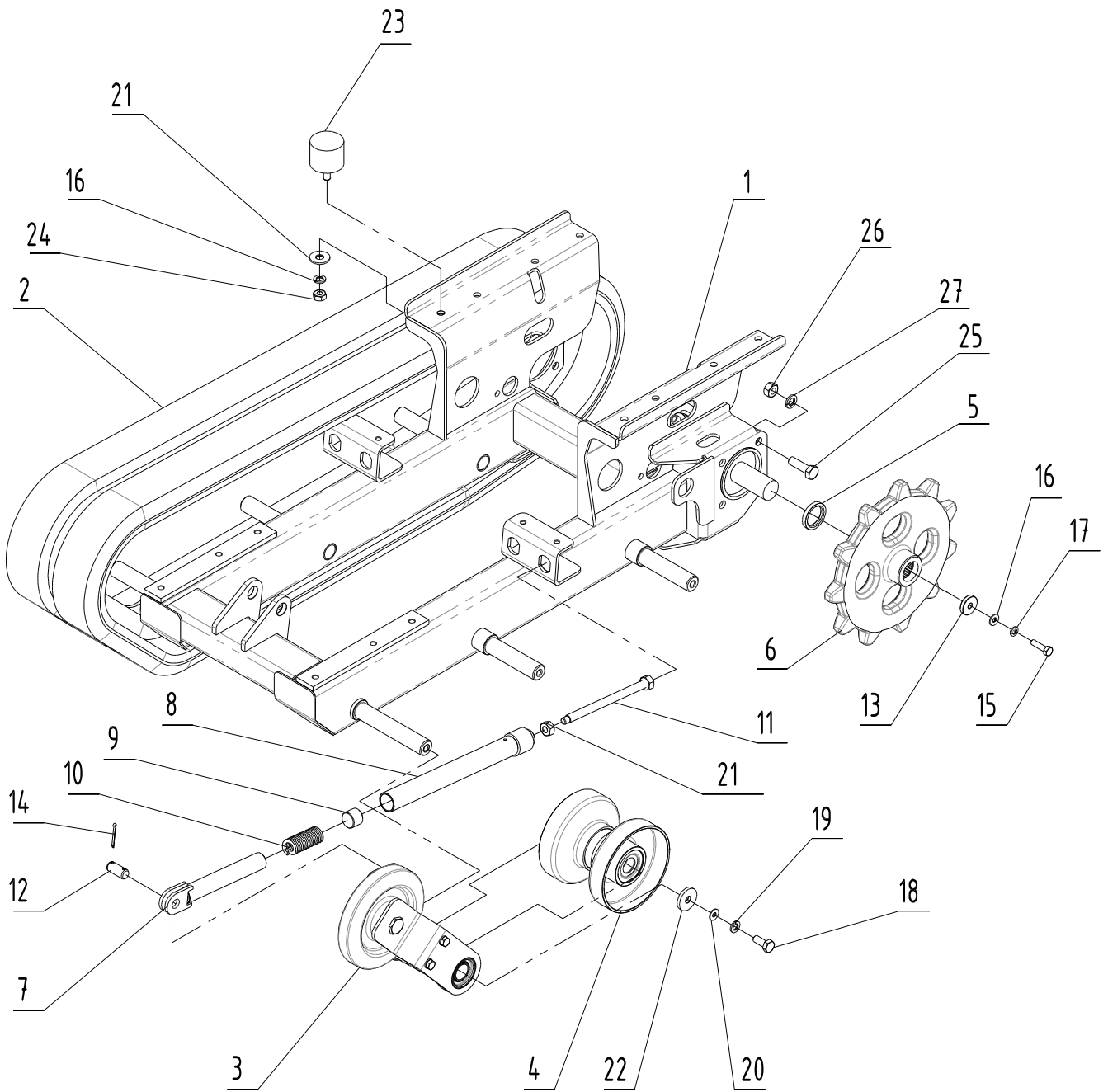
CARRY105

INDEX INDICE		
DESCRIPTION DESCRIZIONE	SHEET No. SEZ. N°	PAGE PAGINA
LOWER MACHINE <i>TELAIO BASSO</i>		1
LOWER MACHINE ASS'Y <i>TELAIO BASSO</i>	1- 1 <input type="checkbox"/>	2
IDLER ASS'Y & LOWER ROLLER ASS'Y <i>MONTAGGIO RUOTA FOLLE E RULLO GUIDA-CINGOLO</i>	1- 2 <input type="checkbox"/>	4
TOOLS <i>ACCESSORI</i>		7
TOOLS SUPPORT WITH BUCKET <i>MONTAGGIO TELAIIO ACCESSORI CON BENNA</i>	2- 1 <input type="checkbox"/>	8
BLADE ATTACHEMENT ASS'Y <i>MONTAGGIO KIT PALA CARICATRICE</i>	2- 2 <input type="checkbox"/>	10
HYDRAULIC PIPING <i>IMPIANTO IDRAULICO</i>		13
HYDRAULIC PIPING ASS'Y (DOUBLE PUMP) <i>IMPIANTO IDRAULICO BASE (POMPA DOPPIA)</i>	3- 1a <input type="checkbox"/>	14
HYDRAULIC PIPING ASS'Y (TRIPLE PUMP) <i>IMPIANTO IDRAULICO BASE (POMPA TRIPLA)</i>	3- 1b <input type="checkbox"/>	18
POWER UNIT <i>UNITA' DI POTENZA</i>		23
ENGINE & PUMP ASS'Y OIL <i>MONTAGGIO MOTORE E POMPA OLIO IDRAULICO</i>	4- 1 <input type="checkbox"/>	24
OPERATOR POSITION, COVER & RELATED PARTS <i>POSTO GUIDA, CARTERATURE E RELATIVI ACCESSORI</i>		27
OPERATOR POSITION & COVER <i>POSTO GUIDA E CARTERATURE</i>	5- 1 <input type="checkbox"/>	28
NAME PLATE ASS'Y <i>ASSIEME ETICHETTE</i>	5- 2 <input type="checkbox"/>	30
HYDRAULIC INSTRUMENT <i>STRUMENTAZIONE IDRAULICA</i>		33
TOOLS CONTROL VALVE ASS'Y <i>MONTAGGIO DISTRIBUTORE ACCESSORI</i>	6- 1 <input type="checkbox"/>	34
TRACTION CONTROL VALVE ASS'Y <i>MONTAGGIO DISTRIBUTORE TRAZIONE</i>	6- 2 <input type="checkbox"/>	36
OPTIONAL ACCESSORIES <i>ACCESSORI OPZIONALI</i>		39
FOOTREST KIT <i>KIT PEDANA</i>	7- 1 <input type="checkbox"/>	40
PARTS INDEX <i>INDICE DELLE PARTI</i>		43

SECTION 1
SEZIONE 1

LOWER MACHINE
TELAIO BASSO

KATO IMER S.p.A.



KEY		PART No.	DESCRIPTION	Q'TY	CH.	SERIAL No.	REMARKS
No.	S						
0	x	*****	Lower Machine Ass'y <i>Montaggio Telaio Basso</i>	1		MB*0010 ~	
1		2050402001	* Lower Machine <i>Telaio Basso</i>	1		MB*0010 ~	
2		1190300003	* Shoe, Rubber Crawler <i>Cingolo Gomma</i>	2		MB*0010 ~	
3		4041000493	* Idler Ass'y (L.H.) <i>Montaggio Ruota Folle Sx</i>	1		MB*0010 ~	Sh.No.1-2
3 - 1		4041000492	* Idler Ass'y (R.H.) <i>Montaggio Ruota Folle Dx</i>	1		MB*0010 ~	Sh.No.1-2
4		6050402001	* Lower, Roller Ass'y <i>Assemblaggio Rullo</i>	6		MB*0010 ~	Sh.No.1-2
5		2050204001	* Shim <i>Distanziale Motore Trazione</i>	2		MB*0010 ~	
6		2050206001	* Sprocket, Drive <i>Corona Dentata</i>	2		MB*0010 ~	
7		2050402010	* Front Tube <i>Tube Anteriore Tiro Cingolo</i>	2		MB*0010 ~	
8		2050402009	* Tube Assembly <i>Assieme Tube Tiro Cingolo</i>	2		MB*0010 ~	
9		2050404026	* Pusher, Spring <i>Cilindretto Spingi Molla</i>	2		MB*0010 ~	
10		1120403003	* Spring <i>Molla Ruota Folle</i>	2		MB*0010 ~	
11		2050402017	* Pin, Spring <i>Perno Filettato Spingi Molla</i>	2		MB*0010 ~	M12
12		2050404028	* Pin <i>Perno Collegamento Tiro Cingolo</i>	2		MB*0010 ~	
13		2050201040	* Washer <i>Rondella Corona Dentata</i>	2		MB*0010 ~	
14		1226458	* Pin, Cotter <i>Copiglia</i>	4		MB*0010 ~	D.3,2X32
15		1222037	* Bolt, Hex. <i>Vite TE</i>	2		MB*0010 ~	M8X30
16		1224083	* Washer, Flat <i>Rosetta Piana</i>	2		MB*0010 ~	M8
17		1224794	* Washer, Spring <i>Rosetta Grower</i>	2		MB*0010 ~	M8
18		1222061	* Bolt, Hex. <i>Vite TE</i>	6		MB*0010 ~	M10X25
19		1224801	* Washer, Spring <i>Rosetta Grower</i>	8		MB*0010 ~	M10
20		1224103	* Washer, Flat <i>Rosetta Piana</i>	6		MB*0010 ~	M10
21		1224104	* Washer, Flat <i>Rosetta Piana</i>	2		MB*0010 ~	M10
22		1090500010	* Washer, Special <i>Rosetta Speciale</i>	6		MB*0010 ~	M10
23		1220410050	* Rubber Stop <i>Piedino Paracolpi</i>	2		MB*0010 ~	
24		1223650	* Nut <i>Dado Esagonale</i>	2		MB*0010 ~	M10
25		1222914	* Bolt (H.T.), Hex. <i>Vite TE 10,9</i>	8		MB*0010 ~	M12X40
26		1223700	* Nut <i>Dado Esagonale</i>	10		MB*0010 ~	M12
27		1224803	* Washer, Spring <i>Rosetta Grower</i>	8		MB*0010 ~	M12

NOTE

01-01

LOWER MACHINE ASS'Y
TELAIO BASSO

REV. No ①

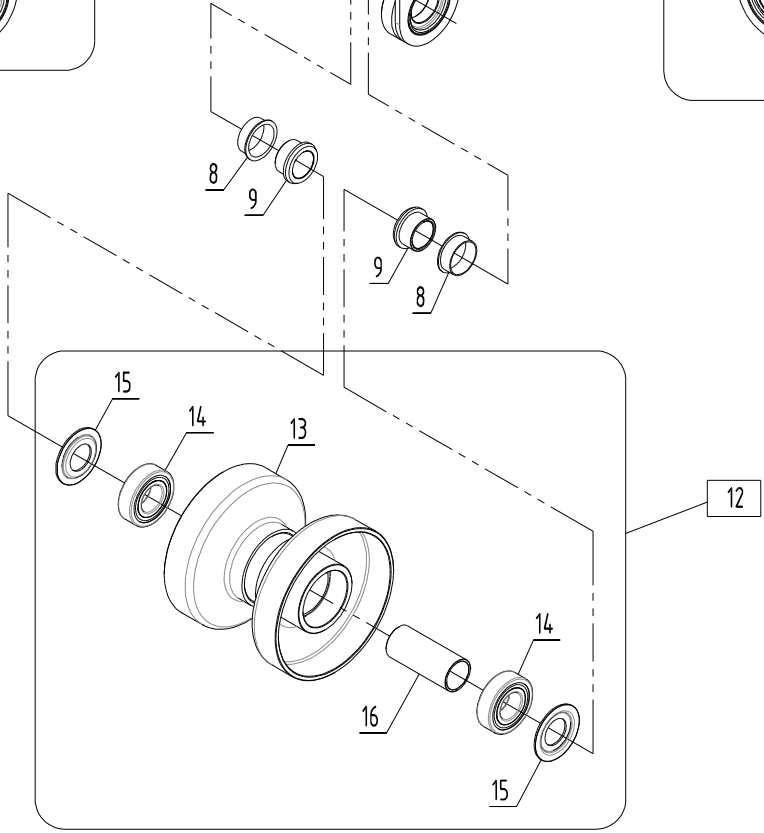
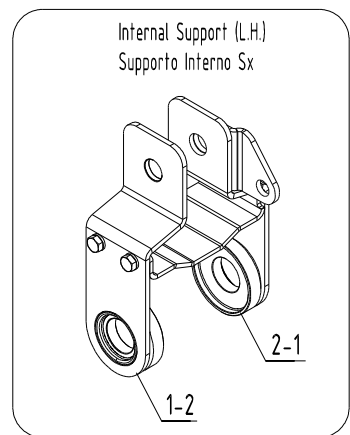
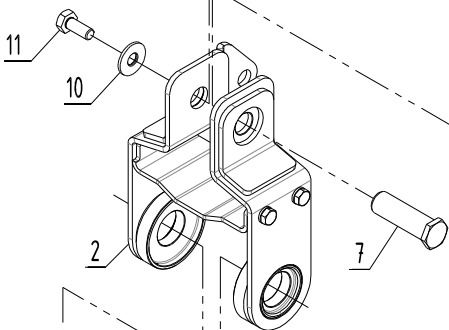
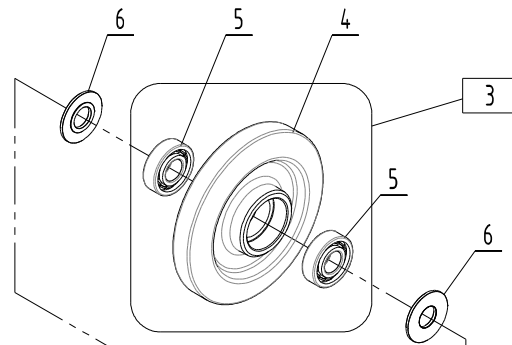
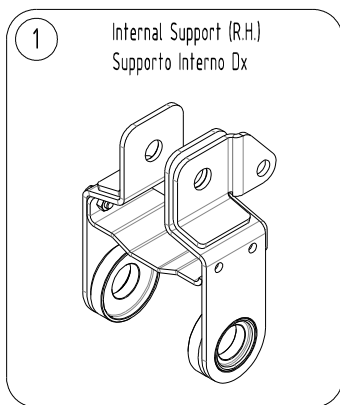
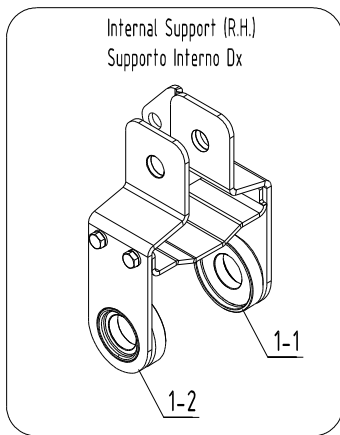
CARRY105

- 3 -

SHEET No. 1-1

1





KEY		PART No.	DESCRIPTION	Q'TY	CH.	SERIAL No.	REMARKS
No.	S						
0		4041000492	Idler Ass'y (R.H.) <i>Montaggio Ruota Folle Dx</i>	1		MB000010 ~	
0 - 1		4041000493	Idler Ass'y (L.H.) <i>Montaggio Ruota Folle Sx</i>	1		MB000010 ~	
1		2050403027	* Complete Bracket (R.H.) <i>Telaio Supporto Dx Completo</i>	1		MB000010 ~	
1 - 1	x	2050402044	* Internal Bracket (R.H.) <i>Supporto Interno Ruota Folle Dx</i>	1		MB000010 ~	
1 - 2	x	2050402043	* External Bracket <i>Supporto esterno Ruota Folle</i>	1		MB000010 ~	
2		2050403028	* Complete Bracket (L.H.) <i>Telaio Supporto Sx Completo</i>	1		MB000010 ~	
2 - 1	x	2050402004	* Internal Bracket (L.H.) <i>Supporto Interno Ruota Folle Sx</i>	1		MB000010 ~	
3		6050202001	* Idler Ass'y, Front <i>Preassemblaggio Ruota Folle</i>	1		MB000010 ~	
4		2050206000	* * Idler, Front <i>Ruota Folle</i>	1		MB000010 ~	
5		1100123020	* * Bearing, Ball <i>Cuscinetto a Sfere</i>	2		MB000010 ~	
6		2050204007	* Shim <i>Distanziale</i>	2		MB000010 ~	
7		2050404008	* Shaft <i>Perno Ruota Folle</i>	1		MB000010 ~	
8		1101130000	* Bushing Iglidur <i>Boccola Iglidur</i>	2		MB000010 ~	
9		2050404006	* Shim <i>Distanziale Tiro Cingolo</i>	2		MB000010 ~	
10		1224104	* Washer, Flat <i>Rosetta Piana</i>	1		MB000010 ~	M10
11		1222061	* Bolt, Hex. <i>Vite TE</i>	1		MB000010 ~	M10X25
12		6050402001	Lower Roller Ass'y <i>Assemblaggio Rullo</i>	6		MB000010 ~	
13		2050402002	* Roller, Guide <i>Rullo Saldato</i>	1		MB000010 ~	
14		1100123025	* Bearing, Ball <i>Cuscinetto a Sfere</i>	2		MB000010 ~	D.52
15		2050401019	* Bearing Protection <i>Protezione Cuscinetto</i>	2		MB000010 ~	
16		2050404007	* Shim <i>Distanziatore Cuscinetti</i>	1		MB000010 ~	

NOTE

01-02

CARRY105

IDLER ASS'Y & LOWER ROLLER ASS'Y
MONTAGGIO RUOTA FOLLE E RULLO GUIDA-CINGOLO

REV. No ③

1

- 5 -

SHEET No. 1-2

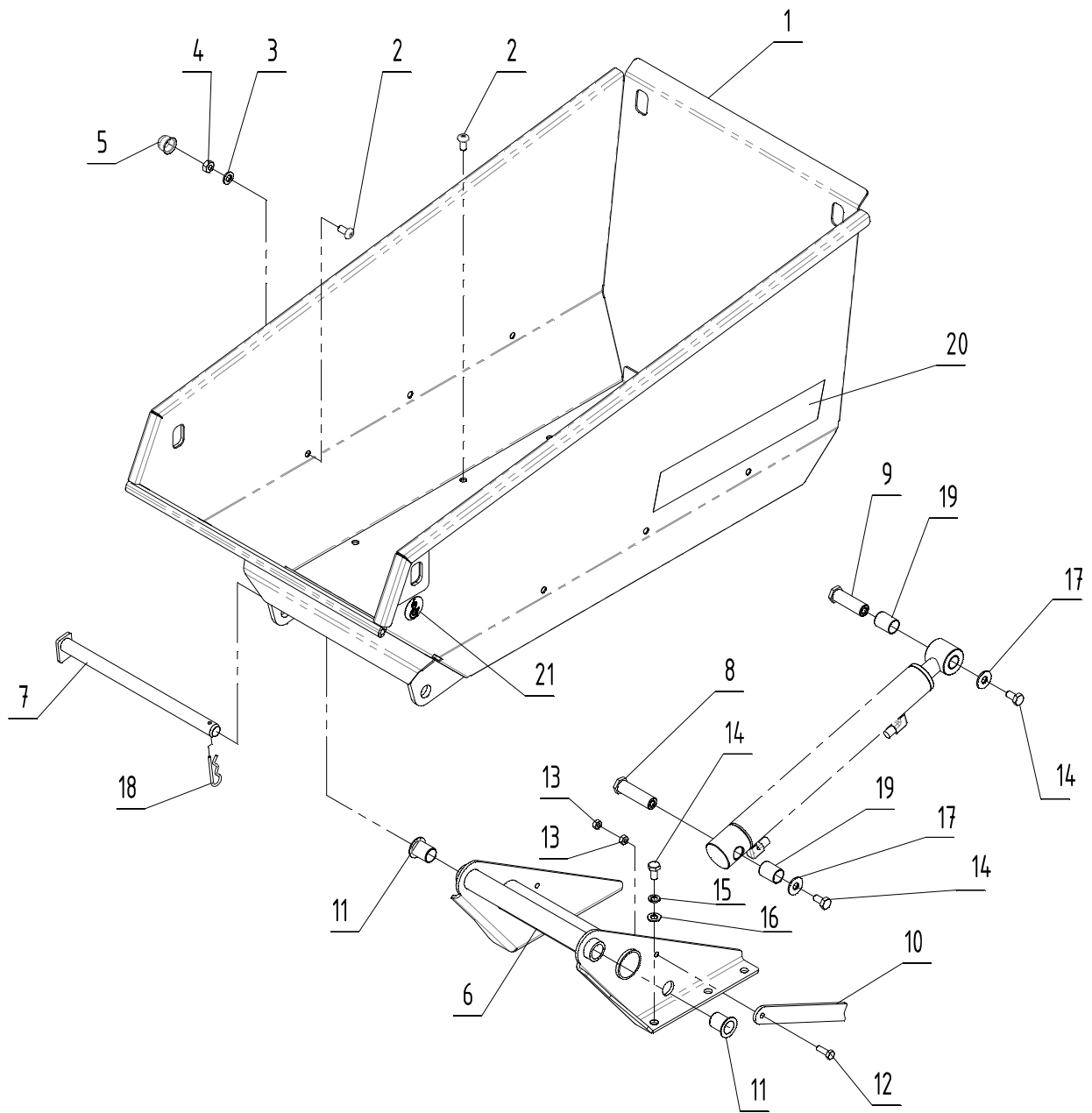


MEMO

SECTION 2
SEZIONE 2

TOOLS
ACCESSORI

KATO IMER S.p.A.



KEY No.	S	PART No.	DESCRIPTION	Q'TY	CH.	SERIAL No.	REMARKS
0		5180301000	Bucket Ass'y <i>Montaggio Cassone</i>	1		MB*0010 ~	
0 - 1		3050401002	Tools Support Ass'y <i>Montaggio Telaio Accessori</i>	1		MB*0010 ~	
1		2050402018	* Bucket <i>Cassone Saldato</i>	1		MB*0010 ~	
2		1222404	* Bolt <i>Vite TBEI</i>	12		MB*0010 ~	M10x20
3		1224103	* Washer, Flat <i>Rosetta Piana</i>	12		MB*0010 ~	M10
4		1223650	* Nut <i>Dado Esagonale</i>	18		MB*0010 ~	M10
5		3250778	* Cover Nut <i>Copri Dado</i>	12		MB*0010 ~	
6		2050402003	* Hinge <i>Cerniera Cassone</i>	1		MB*0010 ~	
7		2050402029	* Hinge Pin <i>Perno Cerniera</i>	1		MB*0010 ~	
8		2050404032	* Cylinder Pin <i>Perno Cilindro Al Telaio</i>	1		MB*0010 ~	
9		2050404033	* Cylinder Pin <i>Perno Cilindro Al Cassone</i>	1		MB*0010 ~	
10		2050401125	* Bracket <i>Staffa Blocco Cassone</i>	1		MB*0010 ~	
11		1101130002	* Bushing Iglidur <i>Boccola Iglidur</i>	2		MB*0010 ~	
12		1222034	* Bolt, Hex. <i>Vite TE</i>	1		MB*0010 ~	M8x25
13		1223570	* Nut <i>Dado Esagonale</i>	2		MB*0010 ~	M8
14		1222059	* Bolt, Hex. <i>Vite TE</i>	8		MB*0010 ~	M10x20
15		1224801	* Washer, Spring <i>Rosetta Grower</i>	12		MB*0010 ~	M10
16		1224103	* Washer, Flat <i>Rosetta Piana</i>	12		MB*0010 ~	M10
17		1224104	* Washer, Flat <i>Rosetta Piana</i>	14		MB*0010 ~	M10
18		1226474	* Pin, Cotter <i>Copiglia sagomata</i>	1		MB*0010 ~	D.4
19		4041000490	* Bushing <i>Boccola</i>	4		MB*0010 ~	
• 20		2020807039	* Name Plate (IHIMER 80 - Shadow) <i>Etich. Ades. Ihimer 80 Ombra</i>	2	✕	MB*0010 ~ *****	
•		2034207055	* Name Plate (KATO IMER 450x60) <i>Etich. Ades. KATO IMER 450x60</i>	2		MB***** ~	
21		3262192	* Name Plate (Lifting) <i>Etich. Ades. Punti Aggancio Sollevamento</i>	2		MB*0010 ~	

NOTE

02-01

CARRY105

TOOLS SUPPORT WITH BUCKET
MONTAGGIO TELAIO ACCESSORI CON BENNA

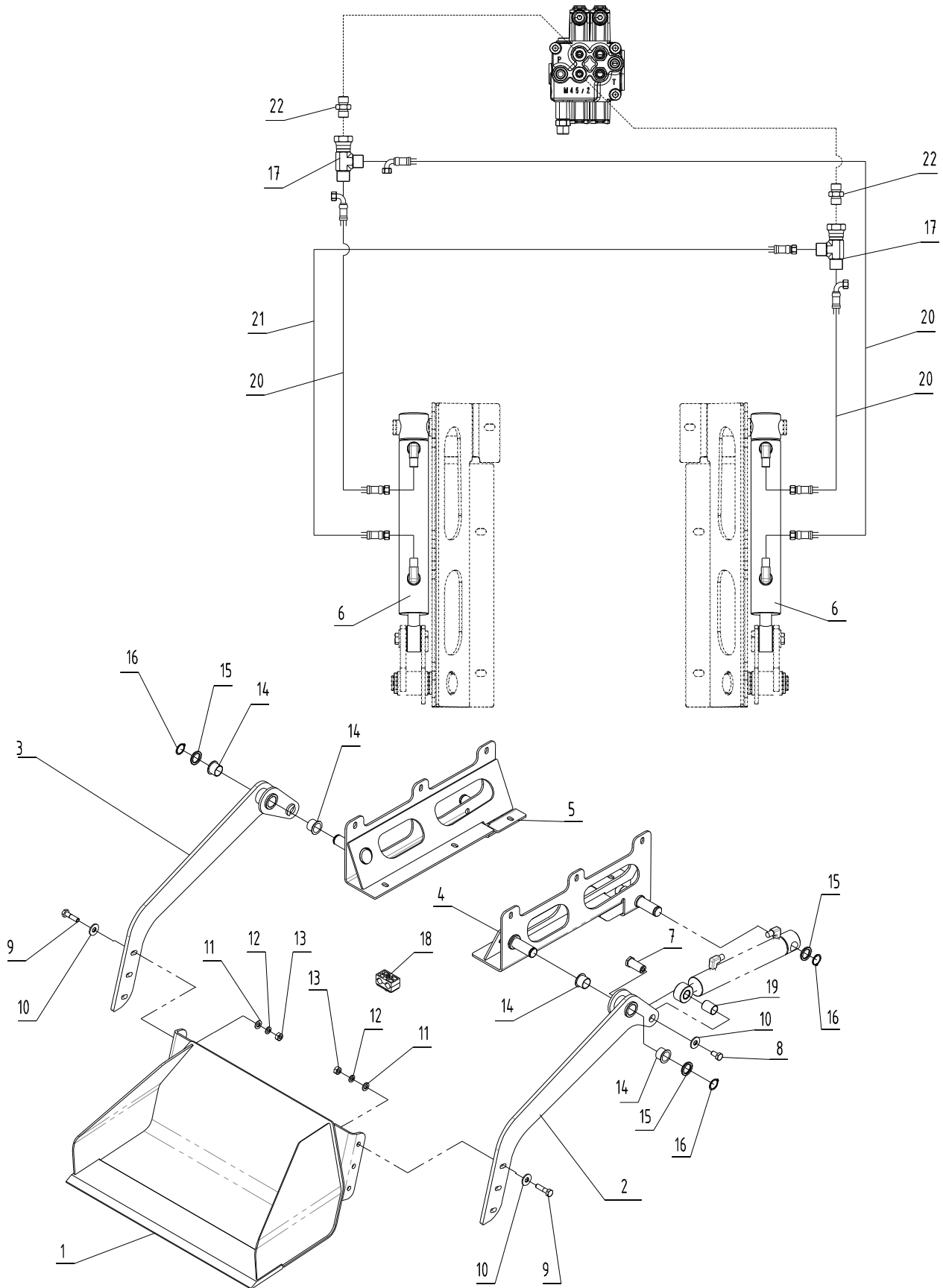
- 9 -

REV. No ①

SHEET No. 2-1

2





KEY No.	S	PART No.	DESCRIPTION	Q'TY	CH.	SERIAL No.	REMARKS
0		5180301001	Blade Ass'y <i>Pala Autocaricante Completa</i>	1		MB*0010 ~	
1		2050402011	* Blade <i>Benna Saldata</i>	1		MB*0010 ~	
2		2050402012	* Arm (L.H.) <i>Braccio Sinistro Pala</i>	1		MB*0010 ~	
3		2050402013	* Arm (R.H.) <i>Braccio Destro Pala</i>	1		MB*0010 ~	
4		2050402014	* Support Plate (L.H.) <i>Piastra Sx Supporto Pala</i>	1		MB*0010 ~	
5		2050402015	* Support Plate (R.H.) <i>Piastra Dx Supporto Pala</i>	1		MB*0010 ~	
6		2050408002	* Cylinder <i>Cilindro Pala</i>	2	L	MB*0010 ~ *0345	
		2050408019	* Cylinder <i>Cilindro Pala</i>	2		MB*0346 ~	
6 - 1		4041000524	* * Kit, Seal <i>Kit Guarnizioni Cilindro</i>	2	LX	MB*0010 ~ *0345	
		4041000527	* * Kit, Seal <i>Kit Guarnizioni Cilindro</i>	2		MB*0346 ~	
7		2050404021	* Cylinder Pin <i>Perno Cilindro Pala</i>	2		MB*0010 ~	
8		1222087	* Bolt (H.T.), Hex. <i>Vite TE</i>	2		MB*0010 ~	M10x20
9		1222906	* Bolt (H.T.), Hex. <i>Vite TE</i>	6		MB*0010 ~	M10x40
10		1224104	* Washer, Flat <i>Rosetta Piana</i>	8		MB*0010 ~	M10
11		1224103	* Washer, Flat <i>Rosetta Piana</i>	6		MB*0010 ~	M10
12		1224801	* Washer, Spring <i>Rosetta Grower</i>	6		MB*0010 ~	M10
13		1223650	* Nut <i>Dado Esagonale</i>	6		MB*0010 ~	M10
14		1101130001	* Bushing Iglidur <i>Boccola Iglidur</i>	4		MB*0010 ~	
15		1090600025	* Shim <i>Distanziale</i>	2		MB*0010 ~	
16		1110110025	* Seeger Shaft <i>Seeger Per Albero</i>	4		MB*0010 ~	
17		1140440001	* Tee <i>Raccordo T</i>	4		MB*0010 ~	1/4"
18		1110910016	* Clamp, Tube <i>Collare Ferma Tubo</i>	2		MB*0010 ~	
19		4041000490	* Bushing <i>Boccola</i>	2		MB*0010 ~	
20		1130722017	* Hose Ass'y <i>Tubo Idraulico</i>	3		MB*0010 ~	1/4"x2550
21		1130722018	* Hose Ass'y <i>Tubo Idraulico</i>	1		MB*0010 ~	1/4"x2400
22		1220625	* Adapter <i>Nipples Riduzione</i>	2		MB*0010 ~	3/8- 1/4"

NOTE

02-02

CARRY105

BLADE ATTACHEMENT ASS'Y
MONTAGGIO PALA CARICATRICE

- 11 -

REV. No ①

SHEET No. 2-2

2

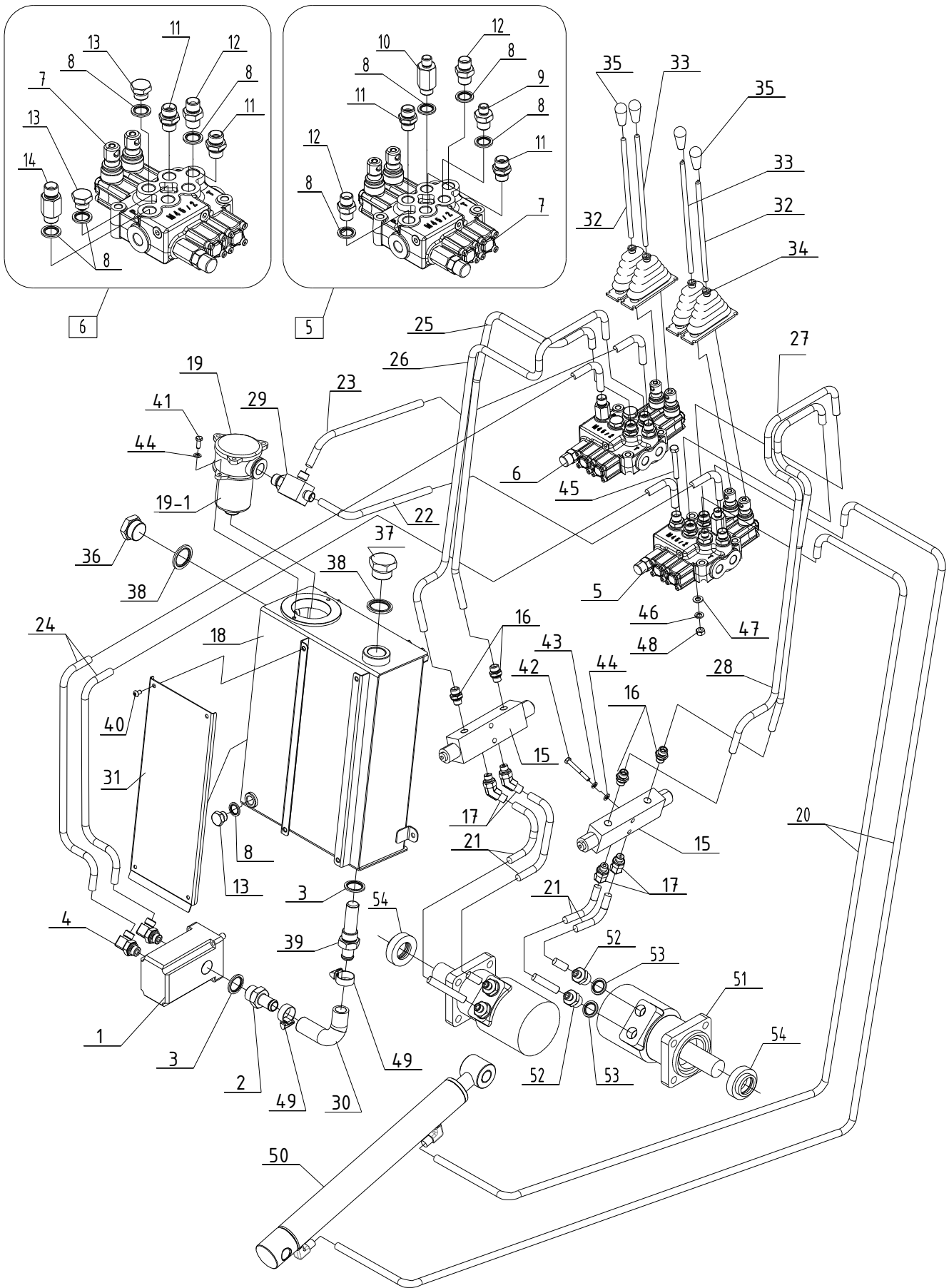


MEMO

SECTION 3
SEZIONE 3

HYDRAULIC PIPING
IMPIANTO IDRAULICO

KATO IMER S.p.A.



HYDRAULIC PIPING ASS'Y (DOUBLE PUMP)
 IMPIANTO IDRAULICO BASE (POMPA DOPPIA)

REV. No ②

3

CARRY105

SHEET No. 3-1a



KEY No.	S	PART No.	DESCRIPTION	Q'TY	CH.	SERIAL No.	REMARKS
0	x	3050405005	Piping Ass'y <i>Mont. Impianto Idraulico</i>	1		MB*0010 ~ *0072	
0 -	x	3050405001	Pump Ass'y <i>Montaggio Pompa Doppia</i>	1		MB*0010 ~ *0072	
0 -	x	3050405004	Traction Valve Ass'y <i>Montaggio Valvola Controllo Trazione</i>	1		MB*0010 ~ *0072	
1		1150211004	* Pump <i>Pompa Doppia</i>	1		MB*0010 ~ *0072	
2		1141015002	* Connector <i>Porta Gomma</i>	1		MB*0010 ~ *0072	3/4"
3		1220138	* Washer, Seal <i>Rondella GM</i>	3		MB*0010 ~ *0072	3/4"
4		1140213300	* Adapter <i>Raccordo 90°</i>	2		MB*0010 ~ *0072	3/8"
5		3050205002	* Control Valve Ass'y (L.H.) <i>Montaggio Distributore 2 Elem. Sx</i>	1		MB*0010 ~ *0072	
6		3050205003	* Control Valve Ass'y (R.H.) <i>Montaggio Distributore 2 Elem. Dx</i>	1		MB*0010 ~ *0072	
7		1150620004	* * Control Valve <i>Distributore 2 Leve</i>	2		MB*0010 ~ *0072	M45/2
8		3251846	* Washer, Seal <i>Rondella GM</i>	9		MB*0010 ~ *0072	3/8"
9		1220625	* Nipple <i>Nipples Riduzione</i>	1		MB*0010 ~ *0072	3/8" - 1/4"
10		1140713200	* Adapter <i>Raccordo Oleodinamico Diritto</i>	1		MB*0010 ~ *0072	3/8"
11		1221277	* Nipple + Seal <i>Nipples + Guarnizione</i>	4		MB*0010 ~ *0072	3/8" D=12
12		1220625	* Nipple <i>Nipples Giunzione</i>	3		MB*0010 ~ *0072	3/8"
13		1220019	* Plug <i>Tappo Maschio</i>	3		MB*0010 ~ *0072	PF3/8"
14		1140713300	* Adapter <i>Raccordo Oleodinamico Diritto</i>	1		MB*0010 ~ *0072	3/8"
15		1150360004	* Traction Valve <i>Valvola Controllo Trazione</i>	2		MB*0010 ~ *0072	
16		1140124200	* Nipple + Seal <i>Nipples Dritto + Guarnizione</i>	4		MB*0010 ~ *0072	1/4" D=12
17		1140312200	* Adapter <i>Adattatore Or. 45°</i>	4		MB*0010 ~ *0072	1/4"
18		2050402023	* Oil Tank <i>Serbatoio Olio</i>	1		MB*0010 ~ *0072	
19		1150510003	* Oil Filter <i>Filto Olio</i>	1		MB*0010 ~ *0072	OMTF-09-F25
• 19 - 1		4041000498	* * Cartridge <i>Elemento Filtrante</i>	1		MB*0010 ~ *0072	F025
20		1130722014	* Hose Ass'y <i>Tubo Idraulico</i>	2		MB*0010 ~ *0072	L=1790
21		1130722016	* Hose Ass'y <i>Tubo Idraulico</i>	4		MB*0010 ~ *0072	L=270
22		1130723005	* Hose Ass'y <i>Tubo Idraulico</i>	1		MB*0010 ~ *0072	L=335
23		1130723006	* Hose Ass'y <i>Tubo Idraulico</i>	1		MB*0010 ~ *0072	L=200
24		1130723007	* Hose Ass'y <i>Tubo Idraulico</i>	2		MB*0010 ~ *0072	L=1070
25		2050408007	* Tube <i>Tubo Mandata Motore Dx</i>	1		MB*0010 ~ *0072	
26		2050408008	* Tube <i>Tubo Ritorno Motore Dx</i>	1		MB*0010 ~ *0072	
27		2050408009	* Tube <i>Tubo Mandata Motore Sx</i>	1		MB*0010 ~ *0072	
28		2050408010	* Tube <i>Tubo Ritorno Motore Sx</i>	1		MB*0010 ~ *0072	
29		2050404011	* Manifold <i>Blocchetto Scarichi</i>	1		MB*0010 ~ *0072	

NOTE

03-01-a(p1)

HYDRAULIC PIPING ASS'Y (DOUBLE PUMP)

IMPIANTO IDRAULICO BASE (POMPA DOPPIA)

REV. No ②

3

CARRY105

- 15 -

SHEET No. 3-1a



KEY No.	S	PART No.	DESCRIPTION	Q'TY	CH.	SERIAL No.	REMARKS
30		2050408003	* Hose <i>Tube Aspirazione Olio</i>	1		MB*0010 ~ *0072	
31		2050401134	* Cover <i>Carter Ferma Tubi</i>	1		MB*0010 ~ *0072	
32		2050204008	* Lever (Short) <i>Leva Corta Distributore</i>	2		MB*0010 ~ *0072	L=210
33		2050204009	* Lever (Long) <i>Leva Lunga Distributore</i>	2		MB*0010 ~ *0072	L=235
34		1220300000	* Boot <i>Soffietto Gomma</i>	4		MB*0010 ~ *0072	
35		1190900009	* Grip <i>Impugnatura</i>	4		MB*0010 ~ *0072	
36		1221153	* Oil Gauge <i>Indicatore Livello Olio</i>	1		MB*0010 ~ *0072	1"
37		1140616000	* Plug <i>Tappo Maschio</i>	1		MB*0010 ~ *0072	1"
• 38		1220136	* Washer, Seal <i>Rondella GM</i>	2		MB*0010 ~ *0072	1"
39		1141015003	* Connector <i>Porta Gomma Con Filtro</i>	1		MB*0010 ~ *0072	3/4"
40		3206224	* Bolt <i>Vite TBEI</i>	4		MB*0010 ~ *0072	M6X10
41		1222006	* Bolt <i>Vite TE</i>	4		MB*0010 ~ *0072	M6X16
42		1222013	* Bolt <i>Vite TE</i>	2		MB*0010 ~ *0072	M6X50
43		1224791	* Washer, Spring <i>Rosetta Grower</i>	4		MB*0010 ~ *0072	M6
44		1224070	* Washer, Flat <i>Rosetta Piana</i>	6		MB*0010 ~ *0072	M6
45		1222030	* Bolt <i>Vite TE</i>	6		MB*0010 ~ *0072	M8X60
46		1224794	* Washer, Spring <i>Rosetta Grower</i>	6		MB*0010 ~ *0072	M8
47		1224083	* Washer, Flat <i>Rosetta Piana</i>	6		MB*0010 ~ *0072	M8
48		1223570	* Nut <i>Dado</i>	6		MB*0010 ~ *0072	M8
49		1225744	* Clamp, Tube <i>Fascetta</i>	2		MB*0010 ~ *0072	
50		2050408001	* Cylinder Ass'y, Tilting <i>Cilindro Ribaltamento</i>	1		MB*0010 ~ *0072	
51		1150100005	* Motor Ass'y, Traction <i>Motore di Trazione</i>	2		MB*0010 ~ *0072	
52		1220615	* Nipples <i>Nipples</i>	4		MB*0010 ~ *0072	1/2" - 1/4"
53		1220140	* Washer Seal <i>Rondella G.M.</i>	4		MB*0010 ~ *0072	1/2"
• 54		4041000506	* Motor Ass'y, Traction Sealing Kit <i>Kit Tenute Motore di Trazione</i>	2		MB*0010 ~ *0072	

NOTE

03-01-a(p2)

HYDRAULIC PIPING ASS'Y (DOUBLE PUMP)
IMPIANTO IDRAULICO BASE (POMPA DOPPIA)

REV. No ②

3

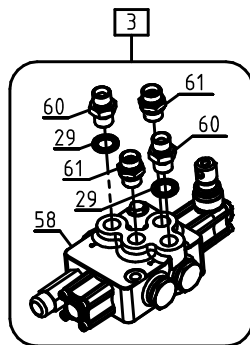
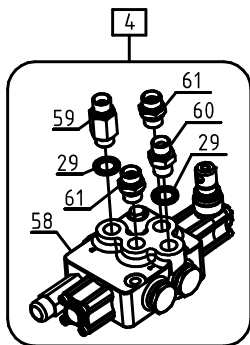
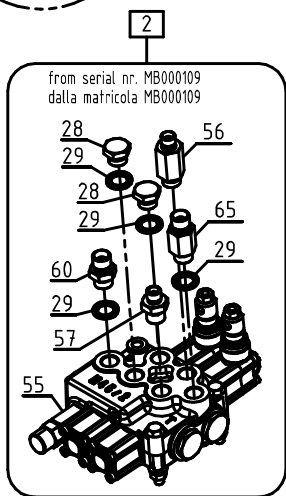
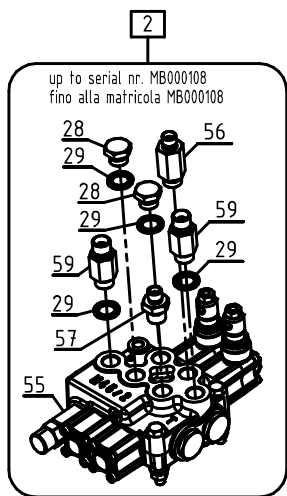
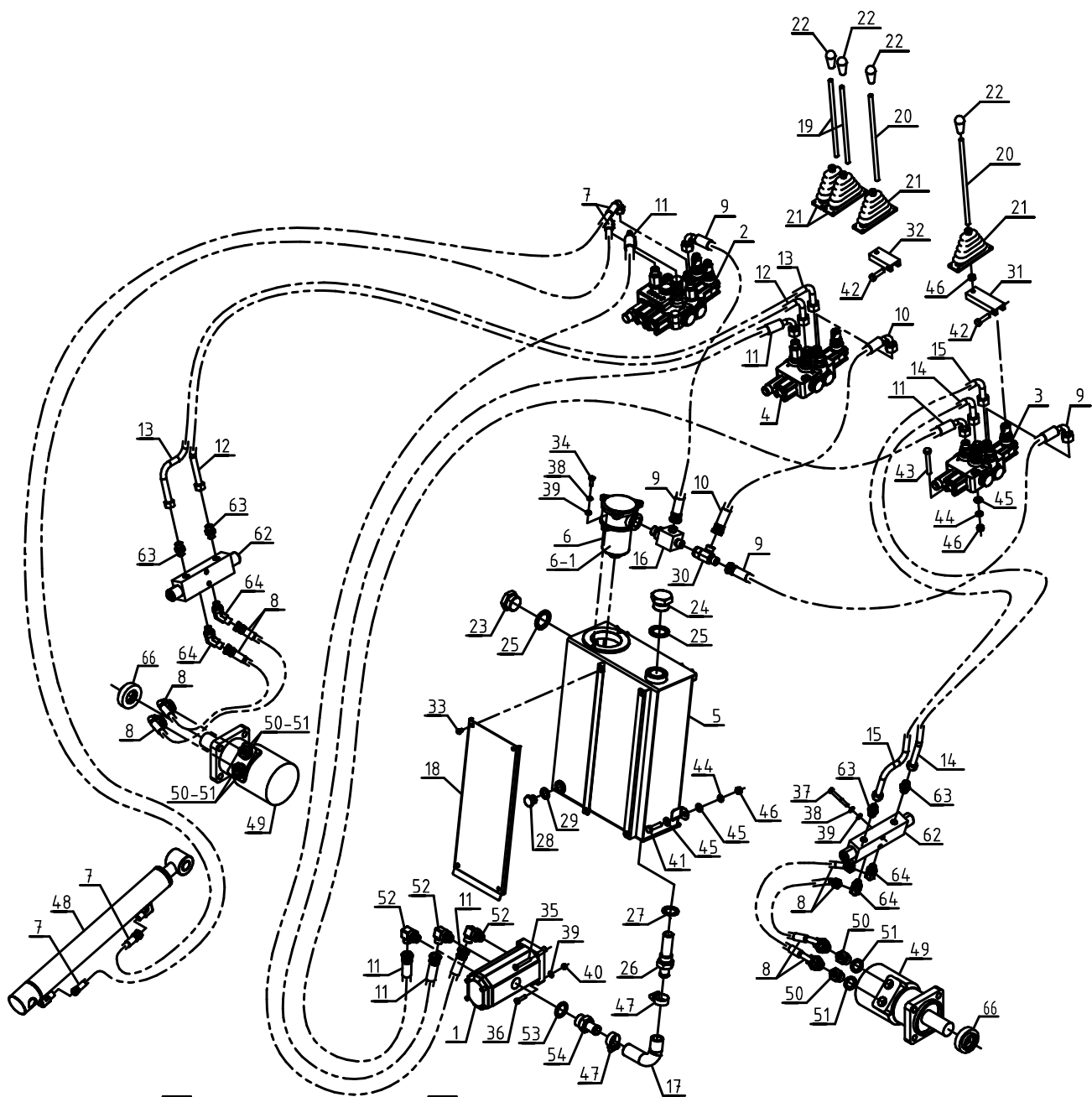
CARRY105

- 16 -

SHEET No. 3-1a



MEMO



KEY No.	S	PART No.	DESCRIPTION	Q'TY	CH.	SERIAL No.	REMARKS
0	x	3050405010	Piping Ass'y <i>Mont. Impianto Idraulico</i>	1		MB*0073 ~	
0 -	x	3050405011	Triple Pump Ass'y <i>Montaggio Pompa Tripla</i>	1		MB*0073 ~	
0 -	x	3050405004	Traction Valve Ass'y <i>Montaggio Valvola Controllo Trazione</i>	1		MB*0073 ~	
1		1150211011	* Triple Pump <i>Pompa Tripla</i>	1		MB*0073 ~	
2		3050405012	* Tools Control Valve Ass'y <i>Montaggio Distributore Accessori</i>	1		MB*0073 ~	
3		3050405014	* Traction Control Valve Ass'y (L.H.) <i>Montaggio Distributore Trazione Sx</i>	1		MB*0073 ~	
4		3050405013	* Traction Control Valve Ass'y (R.H.) <i>Montaggio Distributore Trazione Dx</i>	1		MB*0073 ~	
5		2050402023	* Oil Tank <i>Serbatoio Olio</i>	1		MB*0073 ~	
6		1150510003	* Oil Filter <i>Filto Olio</i>	1		MB*0073 ~	OMTF-09-F25
• 6 - 1		4041000498	* * Cartridge <i>Elemento Filtrante</i>	1		MB*0073 ~	F025
7		1130722014	* Hose Ass'y <i>Tube Idraulico</i>	2		MB*0073 ~	L=1790
8		1130722016	* Hose Ass'y <i>Tube Idraulico</i>	4		MB*0073 ~	L=270
9		1130723005	* Hose Ass'y <i>Tube Idraulico</i>	2		MB*0073 ~	L=335
10		1130723006	* Hose Ass'y <i>Tube Idraulico</i>	1		MB*0073 ~	L=200
11		1130723007	* Hose Ass'y <i>Tube Idraulico</i>	3		MB*0073 ~	L=1070
12		2050408013	* Tube <i>Tube Mandata Motore Dx</i>	1		MB*0073 ~	
13		2050408014	* Tube <i>Tube Ritorno Motore Dx</i>	1		MB*0073 ~	
14		2050408015	* Tube <i>Tube Mandata Motore Sx</i>	1		MB*0073 ~	
15		2050408016	* Tube <i>Tube Ritorno Motore Sx</i>	1		MB*0073 ~	
16		2050404011	* Manifold <i>Blocchetto Scarichi</i>	1		MB*0073 ~	
17		2050408017	* Hose <i>Tube Aspirazione Olio</i>	1		MB*0073 ~	
18		2050401134	* Cover <i>Carter Ferma Tubi</i>	1		MB*0073 ~	
19		2050204008	* Lever (Short) <i>Leva Corta Distributore</i>	2		MB*0073 ~	L=215
20		2050204009	* Lever (Long) <i>Leva Lunga Distributore</i>	2		MB*0073 ~	L=240
21		1220300000	* Boot <i>Soffietto Gomma</i>	4		MB*0073 ~	
22		1190900009	* Grip <i>Impugnatura</i>	4		MB*0073 ~	
23		1221153	* Oil Level <i>Indicatore Livello Olio</i>	1		MB*0073 ~	1"
24		1140616000	* Plug <i>Tappo Maschio</i>	1		MB*0073 ~	1"
• 25		1220136	* Washer, Seal <i>Rondella GM</i>	2		MB*0073 ~	1"
26		1141015003	* Connector <i>Porta Gomma Con Filtro</i>	1		MB*0073 ~	3/4"
27		1220138	* Washer, Seal <i>Rondella GM</i>	1		MB*0073 ~	3/4"
28		1220019	* Plug <i>Tappo Maschio</i>	3		MB*0073 ~	3/8"
29		3251846	* Washer, Seal <i>Rondella GM</i>	7		MB*0073 ~	3/8"

NOTE

03-01-b(p1)

HYDRAULIC PIPING ASS'Y (TRIPLE PUMP)

IMPIANTO IDRAULICO BASE (POMPA TRIPLA)

REV. No ②






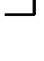
3

CARRY105

- 19 -

SHEET No. 3-1b



KEY No.	S	PART No.	DESCRIPTION	Q'TY	CH.	SERIAL No.	REMARKS
30		1140413302	* Tee <i>Raccordo a T</i>	1		MB*0073 ~	3/8"
31		2050404054	* Lever Support (L.H.) <i>Supporto Leva Trazione Sx</i>	1		MB*0073 ~	
32		2050404055	* Lever Support (R.H.) <i>Supporto Leva Trazione Dx</i>	1		MB*0073 ~	
33		3206224	* Bolt <i>Vite TBEI</i>	4		MB*0073 ~	M6x10
34		1222006	* Bolt <i>Vite TE</i>	2		MB*0073 ~	M6x16
35		1222218	* Bolt <i>Vite TE</i>	2		MB*0073 ~	M6x30
36		1222230	* Bolt <i>Vite TE</i>	2		MB*0073 ~	M6x40
37		1222013	* Bolt <i>Vite TE</i>	4		MB*0073 ~	M6x50
38		1224791	* Washer, Spring <i>Rosetta Grower</i>	6		MB*0073 ~	M6
39		1224070	* Washer, Flat <i>Rosetta Piana</i>	8		MB*0073 ~	M6
40		1223280	* Nut <i>Dado</i>	2		MB*0073 ~	M6
41		1222031	* Bolt <i>Vite TE</i>	4		MB*0073 ~	M8x20
42		1222037	* Bolt <i>Vite TE</i>	2		MB*0073 ~	M8x30
43		1222030	* Bolt <i>Vite TE</i>	7		MB*0073 ~	M8x60
44		1224794	* Washer, Spring <i>Rosetta Grower</i>	10		MB*0073 ~	M8
45		1224083	* Washer, Flat <i>Rosetta Piana</i>	12		MB*0073 ~	M8
46		1223570	* Nut <i>Dado</i>	14		MB*0073 ~	M8
47		1225744	* Clamp, Tube <i>Fascetta</i>	2		MB*0073 ~	
• 48		2050408001	* Cylinder Ass'y, Tilting <i>Cilindro Ribaltamento</i>	1		MB*0073 ~ *0351	
•		2050408018	* Cylinder Ass'y, Tilting <i>Cilindro Ribaltamento</i>	1		MB*0352 ~	
• 48 - 1		4041000523	* * Kit, Seal <i>Kit Guarnizioni Cilindro</i>	1		MB*0073 ~ *0351	
•		4041000526	* * Kit, Seal <i>Kit Guarnizioni Cilindro</i>	1		MB*0352 ~	
• 49		1150100005	* Motor Ass'y, Traction <i>Motore di Trazione</i>	2		MB*0073 ~ *1515	
•		1150100009	* Motor Ass'y, Traction <i>Motore di Trazione</i>	2		MB*1516 ~	
50		1220615	* Nipple <i>Nipples</i>	4		MB*0073 ~	1/2" - 1/4"
51		1220140	* Washer Seal <i>Rondella G.M.</i>	4		MB*0073 ~	1/2"
52		1140213300	* Adapter <i>Raccordo 90°</i>	3		MB*0073 ~	3/8"
53		1220138	* Washer, Seal <i>Rondella GM</i>	1		MB*0073 ~	3/4"
54		1141015002	* Connector <i>Porta Gomma</i>	1		MB*0073 ~	3/4"
55		1150620004	* * Control Valve <i>Distributore 2 Leve</i>	1		MB*0073 ~	M45/2
56		1140713200	* Adapter <i>Raccordo Prolunga</i>	1		MB*0073 ~	3/8" - 1/4"
57		1220625	* Nipple <i>Nipples Riduzione</i>	1		MB*0073 ~	3/8" - 1/4"
58		1150610006	* * Control Valve <i>Distributore 1 Leva</i>	2		MB*0073 ~	M45/1

NOTE

03-01-b(p2)

HYDRAULIC PIPING ASS'Y (TRIPLE PUMP)

IMPIANTO IDRAULICO BASE (POMPA TRIPLA)

REV. No ②

3

CARRY105

- 20 -

SHEET No. 3-1b



KEY No.	S	PART No.	DESCRIPTION	Q'TY	CH.	SERIAL No.	REMARKS
• 59		1140713300	* Adapter <i>Raccordo Prolunga</i>	2		MB*0073 ~ *0108	3/8" - 3/8"
•		1140713300	* Adapter <i>Raccordo Prolunga</i>	1		MB*0109 ~	3/8" - 3/8"
• 60		1220608	* Nipple <i>Nipples Giunzione</i>	3		MB*0073 ~ *0108	3/8"
•		1220608	* Nipple <i>Nipples Giunzione</i>	4		MB*0109 ~	3/8"
61		1221277	* Nipple + Seal <i>Nipples + Guarnizione</i>	4		MB*0073 ~	3/8"
62		1150360004	* Traction Valve <i>Valvola Controllo Trazione</i>	2		MB*0073 ~	
63		1140124200	* Nipple + Seal <i>Nipples + Guarnizione</i>	4		MB*0073 ~	1/4" D=12
64		1140312200	* Adapter <i>Adattatore Orientabile 45°</i>	4		MB*0073 ~	1/4"
• 65		1140713303	* Adapter <i>Raccordo Prolunga</i>	1		MB*0073 ~	3/8" - 3/8"
• 66		4041000506	* Sealing Kit <i>Kit Tenute Motore di Trazione</i>	2		MB*0073 ~ *1515	
		4041000516	* Kit, Seal <i>Kit Guarnizioni Motore</i>	2		MB*1516 ~	

NOTE

03-01-b(p3)

CARRY105

HYDRAULIC PIPING ASS'Y (TRIPLE PUMP)
IMPIANTO IDRAULICO BASE (POMPA TRIPLA)

REV. No ②

3

- 21 -

SHEET No. 3-1b

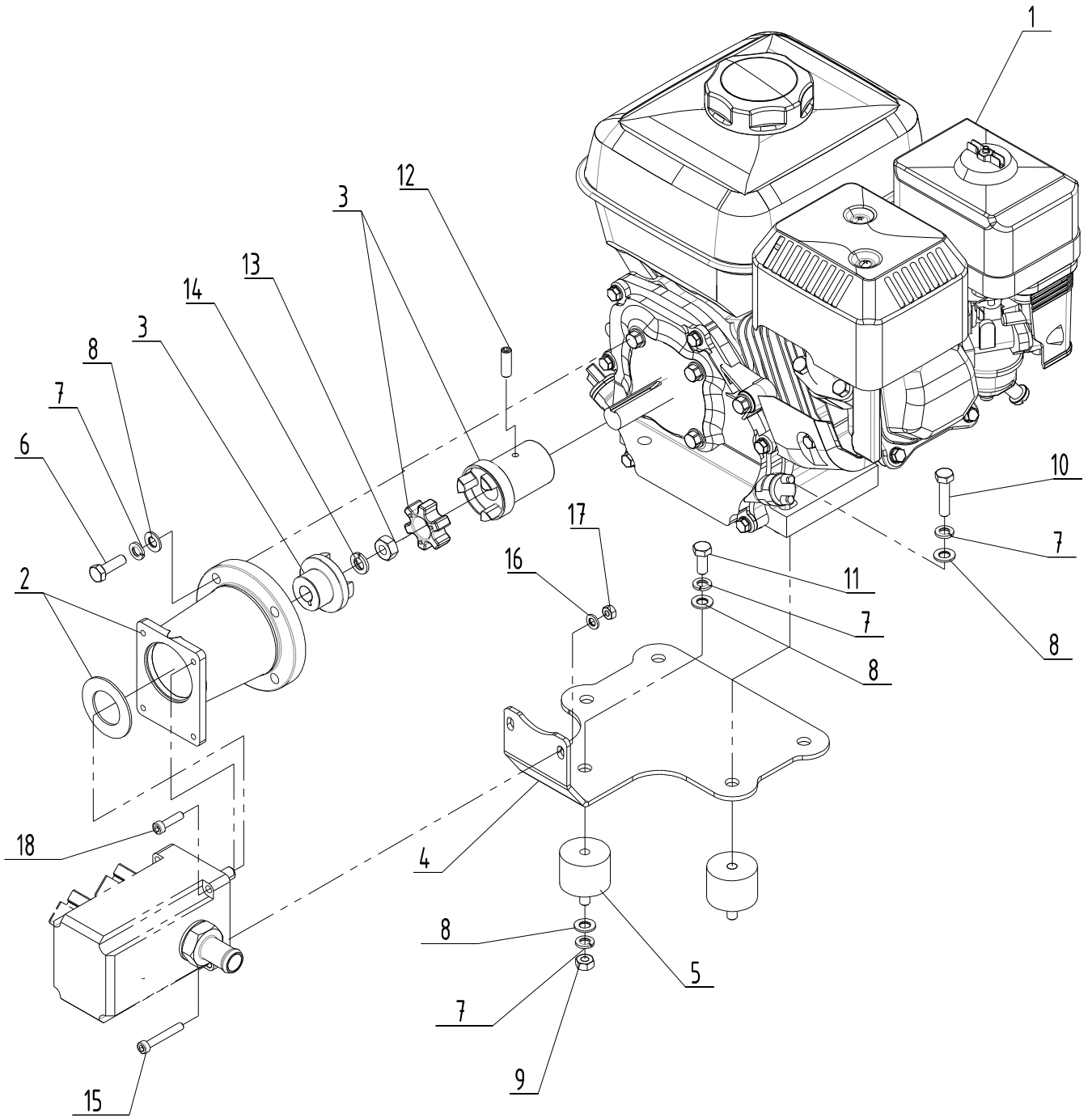


MEMO

SECTION 4
SEZIONE 4

POWER UNIT
UNITA' DI POTENZA

KATO IMER S.p.A.



KEY		PART No.	DESCRIPTION	Q'TY	CH.	SERIAL No.	REMARKS
No.	S						
0	x	3050403000	Engine & Accessories <i>Mont.Motore Benzina & Accessori</i>	1		MB*0010 ~	
1		1180101003	* Engine Ass'y <i>Motore Benzina</i>	1		MB*0010 ~	
2		1180101004	* Flange Pump <i>Lanterna Motore</i>	1		MB*0010 ~	
3		1120500003	* Joint Ass'y <i>Giunto Elastico Mot.-Pompa</i>	1		MB*0010 ~	
4		2050401133	* Bracket <i>Supporto Pompa</i>	1		MB*0010 ~	
5		1220420040	* Rubber, Cushion <i>Supporto Antivibrante</i>	5		MB*0010 ~	
6		2221994	* Bolt <i>Vite TE UNF</i>	4		MB*0010 ~	UNF 5/16"-24I.1"
7		1224794	* Washer, Spring <i>Rosetta Grower</i>	14		MB*0010 ~	M8
8		1224083	* Washer, Flat <i>Rosetta Piana</i>	14		MB*0010 ~	M8
9		1223570	* Nut <i>Dado</i>	5		MB*0010 ~	M8
10		1222040	* Bolt <i>Vite TE</i>	4		MB*0010 ~	M8X35
11		1222031	* Bolt <i>Vite TE</i>	1		MB*0010 ~	M8X20
12		2225146	* Screw <i>VITE STEI</i>	1		MB*0010 ~	M6X10
13		1223650	* Nut <i>Dado</i>	1		MB*0010 ~	M10
14		1224801	* Washer, Spring <i>Rosetta Grower</i>	1		MB*0010 ~	M10
15		1222230	* Bolt <i>Vite TCEI</i>	2		MB*0010 ~	M6X40
16		1224070	* Washer, Flat <i>Rosetta Piana</i>	2		MB*0010 ~	M6
17		1223280	* Nut <i>Dado 5588 M6 Z</i>	2		MB*0010 ~	M6
18		1222218	* Bolt <i>Vite TCEI</i>	2		MB*0010 ~	M6X30

NOTE

04-01

CARRY105

ENGINE & PUMP ASS'Y OIL
MONTAGGIO MOTORE E POMPA OLIO IDRAULICO

- 25 -

REV. No ①

SHEET No. 4-1

4

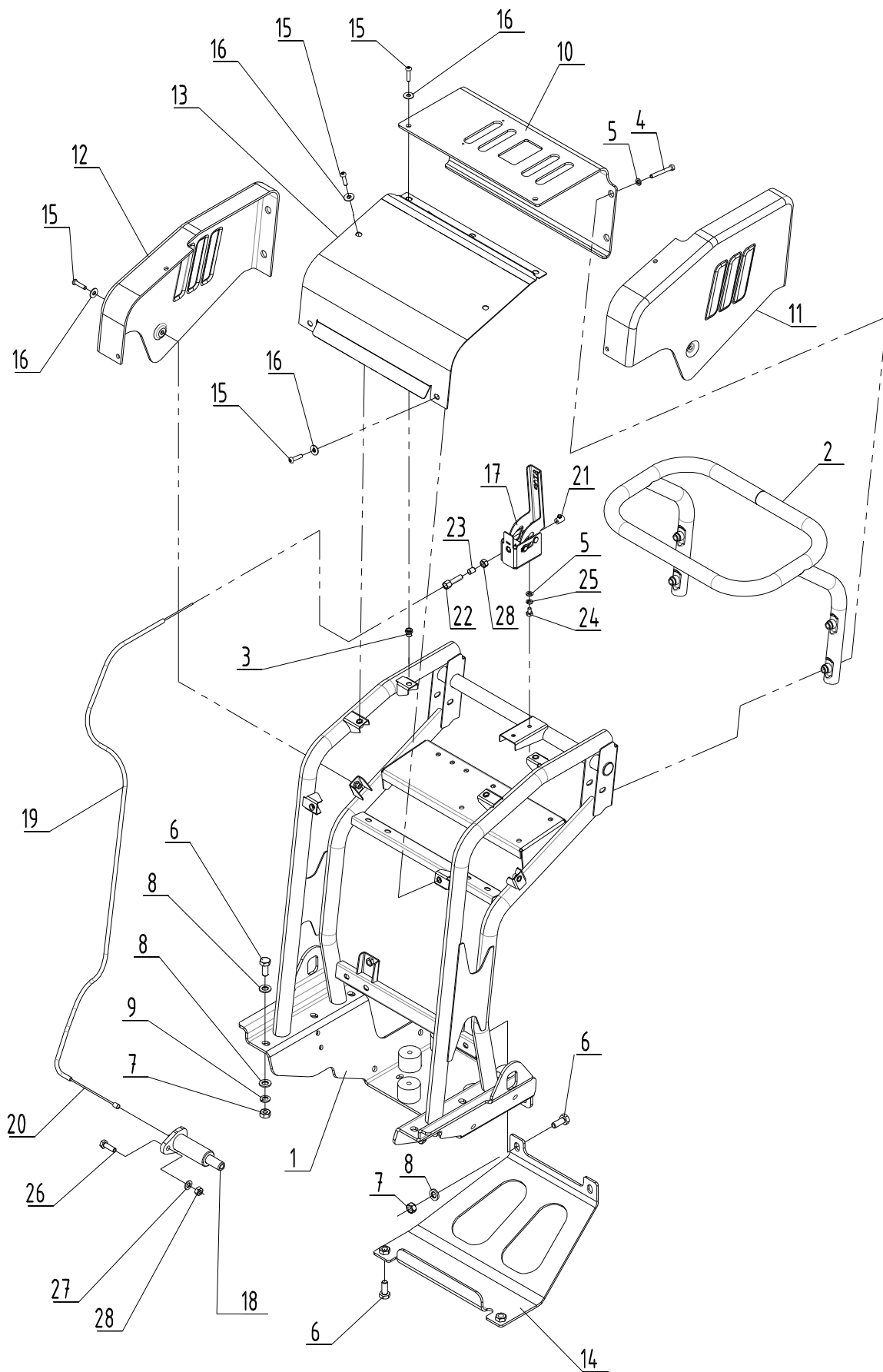



MEMO

SECTION 5
SEZIONE 5

OPERATOR POSITION, COVER & RELATED PARTS
POSTO GUIDA, CARTERATURE E RELATIVI ACCESSORI

KATO IMER S.p.A.



KEY		PART No.	DESCRIPTION	Q'TY	CH.	SERIAL No.	REMARKS
No.	S						
0	x	3050401001	Operator Place Ass'y <i>Montaggio Posto Guida</i>	1		MB*0010 ~	
0 - 1	x	3050407000	Cover Ass'y <i>Montaggio Carter</i>	1		MB*0010 ~	
0 - 2		3050408000	Brake Ass'y <i>Montaggio Freno</i>	1		MB*0010 ~	
1		2050402007	* Operator Place Lower <i>Telaio Posto Guida</i>	1		MB*0010 ~	
2		2050402016	* Operator handle <i>Maniglia Operatore</i>	1		MB*0010 ~	
3		1081401006	* Threaded Insert <i>Inserto Filettato</i>	12		MB*0010 ~	M6
4		1222238	* Bolt <i>VITE TCEI</i>	4		MB*0010 ~	M6x50
5		1224070	* Washer, Flat <i>Rosetta Piana</i>	6		MB*0010 ~	M6
6		1222061	* Bolt <i>Vite TE</i>	10		MB*0010 ~	M10x25
7		1223650	* Nut <i>Dado</i>	8		MB*0010 ~	M10
8		1224103	* Washer, Flat <i>Rosetta Piana</i>	14		MB*0010 ~	M10
9		1224801	* Washer, Spring <i>Rosetta Grower</i>	16		MB*0010 ~	M10
		2050410001	* Cover <i>Copertura Comandi 4 elem.</i>	1		MB*0010 ~ *0072	
10		2050410011	* Cover <i>Copertura Comandi 4 elem.</i>	1		MB*0073 ~	
11		2050410002	* Cover, Side (L.H.) <i>Carter Laterale Sx.</i>	1		MB*0010 ~	
12		2050410003	* Cover, Side (R.H.) <i>Carter Laterale Dx.</i>	1		MB*0010 ~	
13		2050401030	* Cover <i>Carter Distributori</i>	1		MB*0010 ~	
14		2050402006	* Lower Cover <i>Carter Inferiore</i>	1		MB*0010 ~	
15		1040106025	* Bolt <i>Vite TBEI</i>	8		MB*0010 ~	M6x25
16		1224074	* Washer, Flat <i>Rosetta Piana</i>	8		MB*0010 ~	M6
17		2050403002	* Brake Lever <i>Assieme Leva Freno</i>	1		MB*0010 ~	
18		2050403007	* Brake Cylinder <i>Assieme Cilindro Freno</i>	1		MB*0010 ~	
19		1239464	* Sheath <i>Guaina Passacavo</i>	1		MB*0010 ~	D.7
20		1110800008	* Cable <i>Cavo Acciaio</i>	1		MB*0010 ~	D.2,5 L. 1350
21		1120820100	* Clamp <i>Morsetto</i>	1		MB*0010 ~	
22		1120825300	* Set Screw <i>Registro</i>	1		MB*0010 ~	D.2,5 M8
23		1120825303	* Terminal <i>Terminale per Guaina</i>	2		MB*0010 ~	
24		1222002	* Bolt <i>Vite TE</i>	2		MB*0010 ~	M6x10
25		1224791	* Washer, Spring <i>Rosetta Grower</i>	2		MB*0010 ~	M6
26		1222034	* Bolt <i>Vite TE</i>	1		MB*0010 ~	M8X25
27		1224083	* Washer, Flat <i>Rosetta Piana</i>	1		MB*0010 ~	M8
28		1223570	* Nut <i>Dado</i>	2		MB*0010 ~	M8

NOTE

05-01

OPERATOR POSITION & COVER
POSTO GUIDA E CARTERATURE

CARRY105

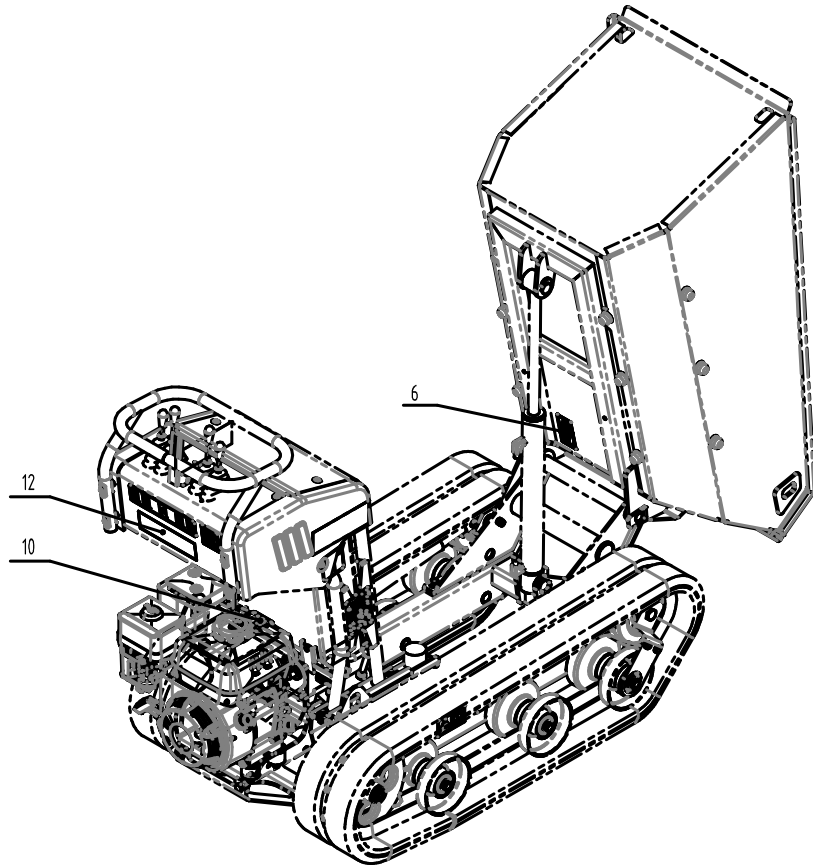
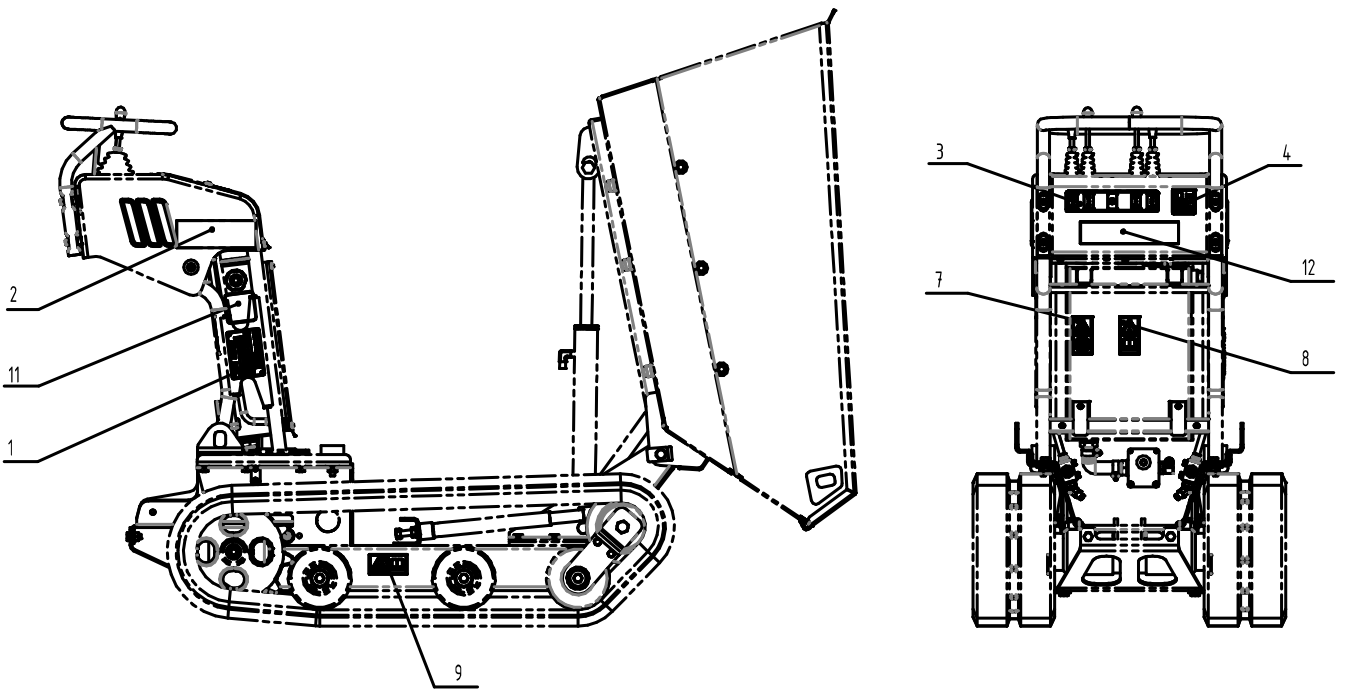
REV. No ①

5

- 29 -

SHEET No. 5-1





KEY		PART No.	DESCRIPTION	Q'TY	CH.	SERIAL No.	REMARKS
No.	S						
0	x	3050411002	Plate Ass'y, Name <i>Mont.Etich.Macchina</i>	1		MB*0010 ~	
• 1		3292730	* Name Plate (Serial N°) <i>Targa Alluminio Modello IHIMER</i>	1	✕	MB*0010 ~ *****	
•		2000007006	* Name Plate (Serial N°) <i>Targ.Allum.Modello</i>	1	✕	MB***** ~	
2		2050407003	* Name Plate For Carry 105 <i>Etich.Ades. Logo Carry 105</i>	2		MB*0010 ~	
• 3		2050407004	* Name Plate (Control and Operating) <i>Etich.Ades. Comandi 4 Leve</i>	1	✕	MB*0010 ~ 0072	
•		2050407017	* Name Plate (Control and Operating) <i>Etich.Ades. Comandi 4 Leve</i>	1	✕	MB*0073 ~	
4		2050407009	* Name Plate (LWA 98) <i>Etich.Ades. Rumore (LWA 98)</i>	1		MB*0010 ~	
5		2050207012	* Name Plate, Kit (Safety) <i>Kit Etich.Ades. Sicurezza</i>	1		MB*0010 ~	
6		2050207014	* * Name Plate <i>Kit Etich.Ades. Sicura Bloccaggio</i>	1		MB*0010 ~	
7		2050207015	* * Name Plate <i>Etic.Peric.Superfici Calde</i>	1		MB*0010 ~	
8		3251653	* * Name Plate <i>Etic.Sicur.Pericolo Generico</i>	1		MB*0010 ~	
9		3251657	* * Name Plate <i>Etic.Peri.Attenzione Valvola Grasso</i>	2		MB*0010 ~	
10		2050207016	* Name Plate (Refueling) <i>Etich.Ades.Rifornim.Carburante</i>	1		MB*0010 ~	
11		1288971	* Name Plate (Oil) <i>Etich.Ades. Rifornimento Olio</i>	1		MB*0010 ~	
• 12		2030807137	* Name Plate (KATO IMER 300x40) <i>Etich. Ades. KATO IMER 300x40</i>	1		MB*0010 ~	

NOTE

05-02

CARRY105

NAME PLATE ASS'Y
ASSIEME ETICHETTE

- 31 -

REV. No ②

SHEET No. 5-2

5

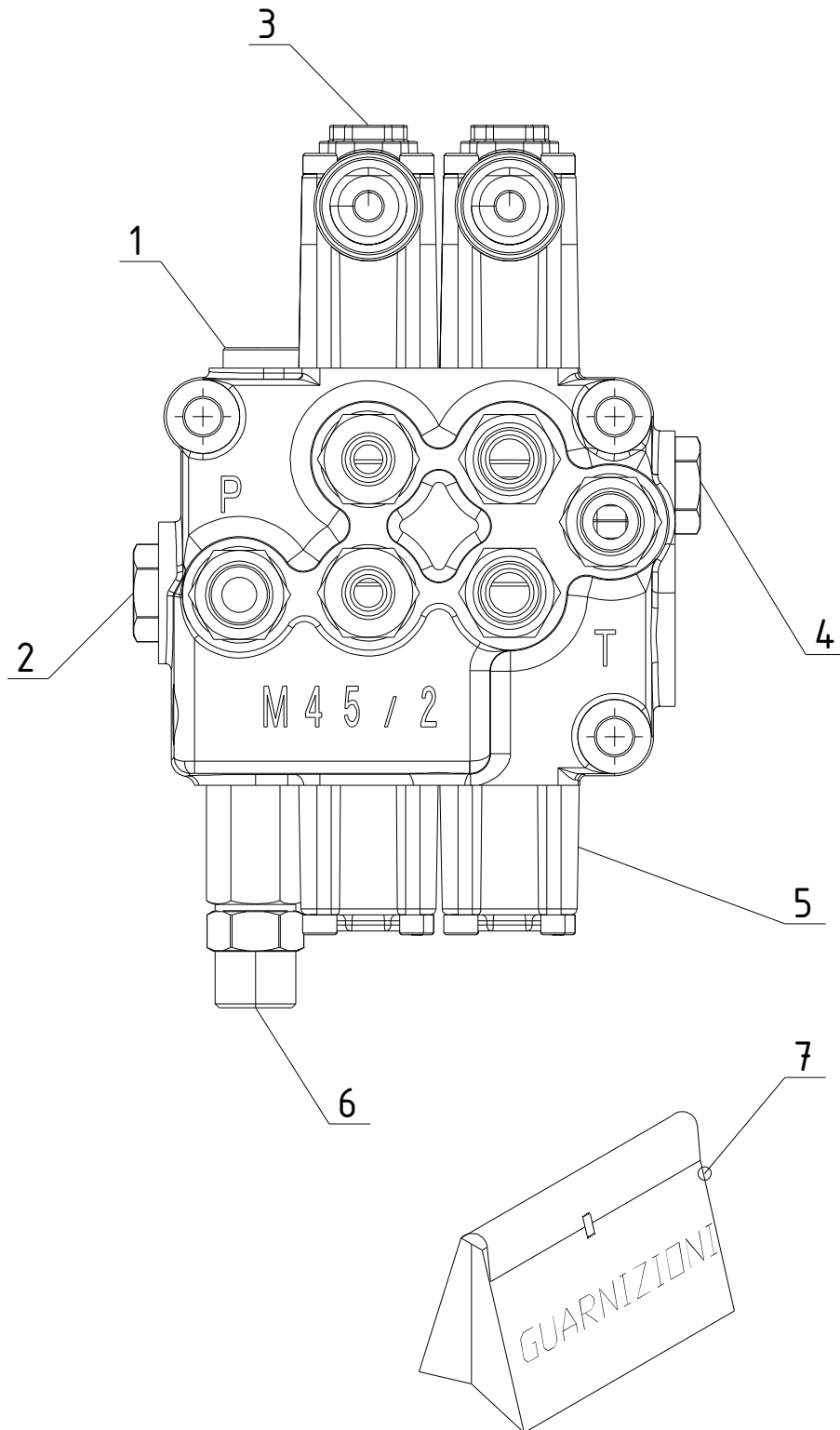


MEMO

SECTION 6
SEZIONE 6

HYDRAULIC INSTRUMENT
STRUMENTAZIONE IDRAULICA

KATO IMER S.p.A.



KEY		PART No.	DESCRIPTION	Q'TY	CH.	SERIAL No.	REMARKS
No.	S						
1		1150620004	Valve Ass'y Control <i>Distributore 2 Leve</i>	1		MB*0010 ~	
2		4041000451	* Retainer Valve Kit <i>Kit Valvola di Ritegno</i>	1		MB*0010 ~	
3		4041000452	* Protected Lever Kit <i>Kit Leva Protetta</i>	2		MB*0010 ~	
4		4041000453	* Plug Kit <i>Kit Tappo</i>	2		MB*0010 ~	3/8"
5		4041000454	* Spool Return Action <i>Richiamo Corsore</i>	2		MB*0010 ~	
6		4041000491	* Valve Overload <i>Valvola Sovraccarico</i>	1		MB*0010 ~	140 bar
7		4041000456	* Kit Seal <i>Kit Guarnizioni</i>	1		MB*0010 ~	

NOTE

06-01

CARRY105

TOOLS CONTROL VALVE ASS'Y
MONTAGGIO DISTRIBUTORE ACCESSORI

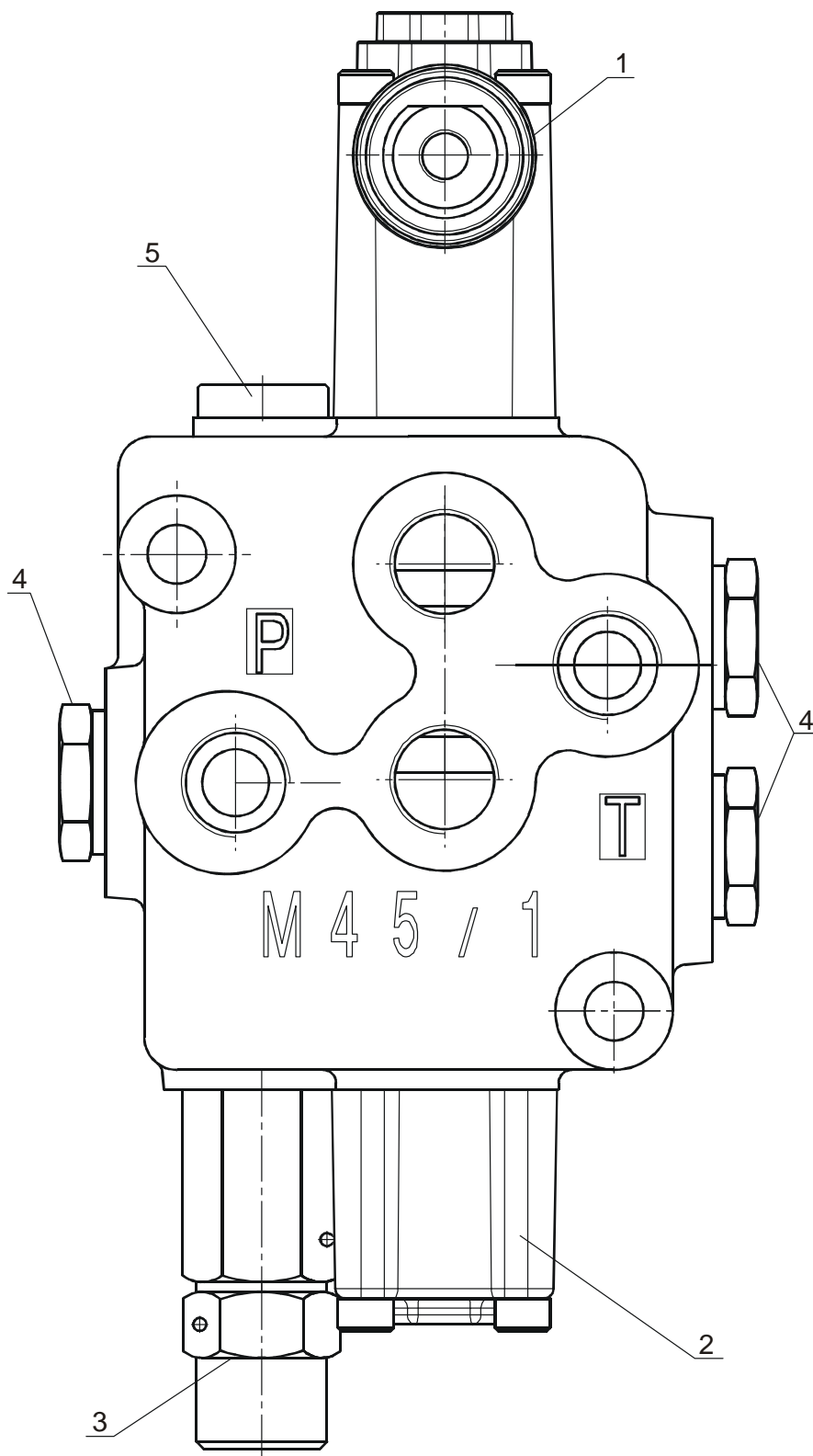
- 35 -

REV. No ①

SHEET No. 6-1

6





KEY		PART No.	DESCRIPTION	Q'TY	CH.	SERIAL No.	REMARKS
No.	S						
0		1150610006	à Valve Ass'y, Control <i>Distributore Pala Betoniera</i>	1		MB*0073 ~	
0 - 1		4041000426	* à Seal, Kit <i>Kit guarnizioni (Distributore 6 Leve)</i>	1		MB*0073 ~	
1		4041000427	* Control, Kit <i>Kit Controllo</i>	1		MB*0073 ~	
2		4041000428	* Return, Kit <i>Kit Ritorno</i>	1		MB*0073 ~	
3		4041000429	* Valve Ass'y, Overload Relief <i>Valvola Scarico Sovraccarico</i>	1		MB*0073 ~	
4		4041000430	* Plug, Kit <i>Kit Tappi</i>	1		MB*0073 ~	
5		4041000431	* Retainer, Valve Kit <i>Kit Valvola di Ritegno</i>	1		MB*0073 ~	

NOTE

06-02

CARRY105

TRACTION CONTROL VALVE ASS'Y
MONTAGGIO DISTRIBUTORE TRAZIONE

- 37 -

REV. No ①

SHEET No. 6-2

6

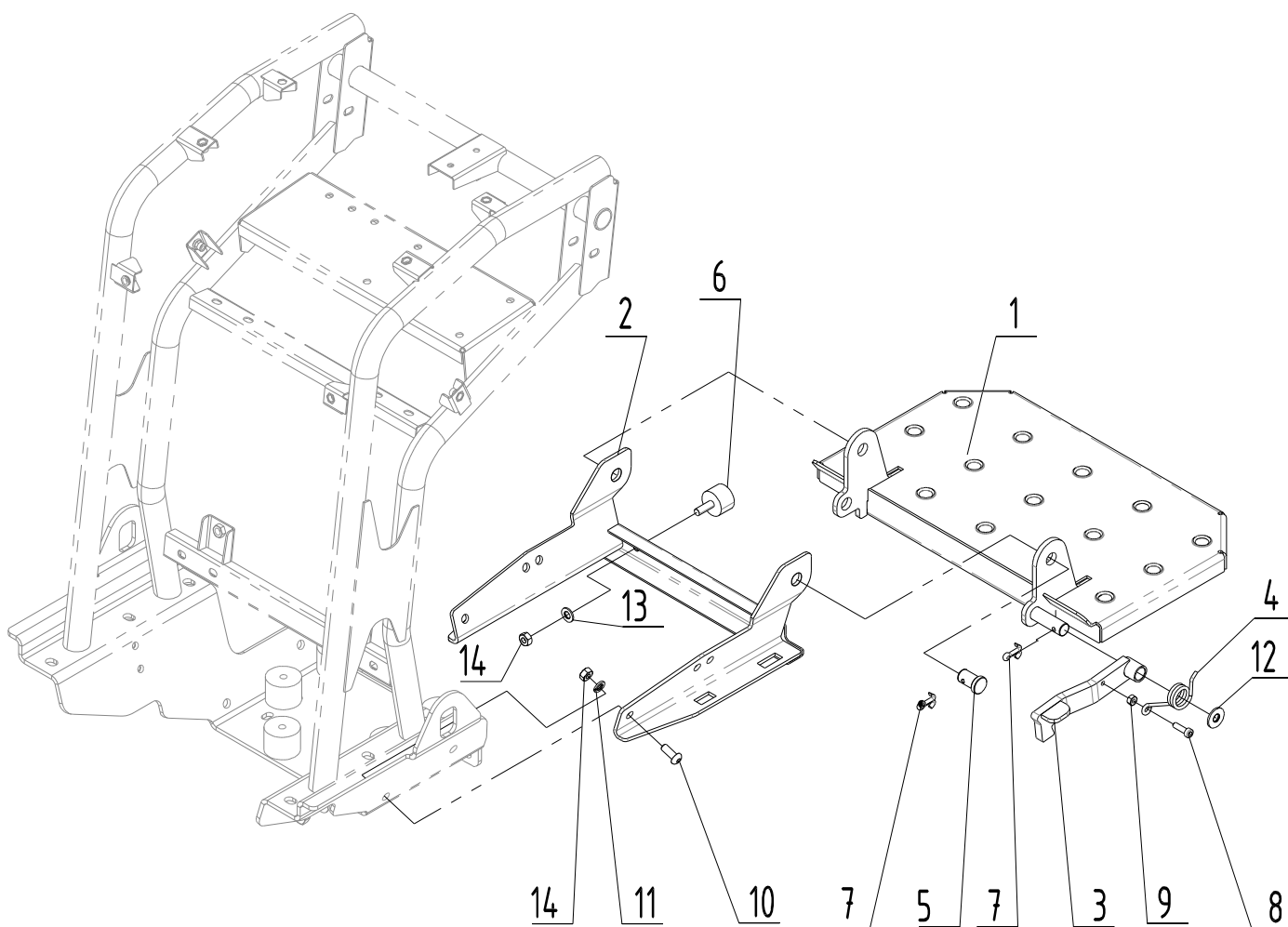


MEMO

SECTION 7
SEZIONE 7

OPTIONAL ACCESSORIES
ACCESSORI OPZIONALI

KATO IMER S.p.A.



KEY		PART No.	DESCRIPTION	Q'TY	CH.	SERIAL No.	REMARKS
No.	S						
0		5180300000	Kit Footrest <i>Kit Pedana</i>	1		MB*0010 ~	
1		2050402026	* Footrest <i>Pedana Mobile</i>	1		MB*0010 ~	
2		2050402027	* Bracket <i>Supporto Pedana</i>	1		MB*0010 ~	
3		2050402031	* Locking Footrest <i>Blocco Pedana</i>	1		MB*0010 ~	
4		2050404048	* Spring <i>Molla Blocco Pedana</i>	1		MB*0010 ~	
5		2050404049	* Pin <i>Perno Articolazione Pedana</i>	2		MB*0010 ~	
6		1220410030	* Rubber Stop <i>Piedino Paracolpi</i>	2		MB*0010 ~	H=20 M8x23
7		1226454	* Pin, Cotter <i>Copiglia</i>	3		MB*0010 ~	D.4X30
8		1222206	* Bolt <i>Vite TCEI</i>	1		MB*0010 ~	M6X20
9		1223280	* Nut, Hex <i>Dado Esagonale</i>	1		MB*0010 ~	M6
10		3222138	* Bolt <i>Vite TBEI</i>	4		MB*0010 ~	M8X20
11		1224794	* Washer, Spring <i>Rosetta Grower</i>	4		MB*0010 ~	M8
12		1224147	* Washer, Flat <i>Rosetta Piana</i>	1		MB*0010 ~	D.16x32
13		1224083	* Washer, Flat <i>Rosetta Piana</i>	2		MB*0010 ~	M8
14		1223570	* Nut <i>Dado</i>	6		MB*0010 ~	M8

NOTE

07-01

CARRY105

FOOTREST KIT
KIT PEDANA

- 41 -

REV. No ①

6

SHEET No. 7-1



MEMO

SECTION 8
SEZIONE 8

PARTS INDEX
INDICE DELLE PARTI

KATO IMER S.p.A.

PARTS No.	Sh. No.	Key No.	PARTS No.	Sh. No.	Key No.	PARTS No.	Sh. No.	Key No.	PARTS No.	Sh. No.	Key No.
1040106025	0501	15	1150610006	0602	0	1222238	0501	4	1239464	0501	19
1081401006	0501	3	1150620004	0301	A 7	1222404	0201	2	1288971	0502	11
1090500010	0101	22	1150620004	0301	B 55	1222906	0202	9	2000007006	0502	
1090600025	0202	15	1150620004	0601	1	1222914	0101	25	2020807039	0201	20
1100123020	0102	5	1180101003	0401	1	1223280	0301	B 40	2030807137	0502	12
1100123025	0102	14	1180101004	0401	2	1223280	0401	17	2034207055	0201	
1101130000	0102	8	1190300003	0101	2	1223280	0701	9	2050201040	0101	13
1101130001	0202	14	1190900009	0301	B 22	1223570	0201	13	2050204001	0101	5
1101130002	0201	11	1190900009	0301	A 35	1223570	0301	B 46	2050204007	0102	6
1110110025	0202	16	1220019	0301	A 13	1223570	0301	A 48	2050204008	0301	B 19
1110800008	0501	20	1220019	0301	B 28	1223570	0401	9	2050204008	0301	A 32
1110910016	0202	18	1220136	0301	B 25	1223570	0501	28	2050204009	0301	B 20
1120403003	0101	10	1220136	0301	A 38	1223570	0701	14	2050204009	0301	A 33
1120500003	0401	3	1220138	0301	A 3	1223650	0101	24	2050206000	0102	4
1120820100	0501	21	1220138	0301	B 27	1223650	0201	4	2050206001	0101	6
1120825300	0501	22	1220138	0301	B 53	1223650	0202	13	2050207012	0502	5
1120825303	0501	23	1220140	0301	B 51	1223650	0401	13	2050207014	0502	6
1130722014	0301	B 7	1220140	0301	A 53	1223650	0501	7	2050207015	0502	7
1130722014	0301	A 20	1220300000	0301	B 21	1223700	0101	26	2050207016	0502	10
1130722016	0301	B 8	1220300000	0301	A 34	1224070	0301	B 39	2050401019	0102	15
1130722016	0301	A 21	1220410030	0701	6	1224070	0301	A 44	2050401030	0501	13
1130722017	0202	20	1220410050	0101	23	1224070	0401	16	2050401125	0201	10
1130722018	0202	21	1220420040	0401	5	1224070	0501	5	2050401133	0401	4
1130723005	0301	B 9	1220608	0301	B 60	1224074	0501	16	2050401134	0301	B 18
1130723005	0301	A 22	1220608	0301	B	1224083	0101	16	2050401134	0301	A 31
1130723006	0301	B 10	1220615	0301	B 50	1224083	0301	B 45	2050402001	0101	1
1130723006	0301	A 23	1220615	0301	A 52	1224083	0301	A 47	2050402002	0102	13
1130723007	0301	B 11	1220625	0202	22	1224083	0401	8	2050402003	0201	6
1130723007	0301	A 24	1220625	0301	A 9	1224083	0501	27	2050402004	0102	2 1
1140124200	0301	A 16	1220625	0301	A 12	1224083	0701	13	2050402006	0501	14
1140124200	0301	B 63	1220625	0301	B 57	1224103	0101	20	2050402007	0501	1
1140213300	0301	A 4	1221153	0301	B 23	1224103	0201	3	2050402009	0101	8
1140213300	0301	B 52	1221153	0301	A 36	1224103	0201	16	2050402010	0101	7
1140312200	0301	A 17	1221277	0301	A 11	1224103	0202	11	2050402011	0202	1
1140312200	0301	B 64	1221277	0301	B 61	1224103	0501	8	2050402012	0202	2
1140413302	0301	B 30	1222002	0501	24	1224104	0101	21	2050402013	0202	3
1140440001	0202	17	1222006	0301	B 34	1224104	0102	10	2050402014	0202	4
1140616000	0301	B 24	1222006	0301	A 41	1224104	0201	17	2050402015	0202	5
1140616000	0301	A 37	1222013	0301	B 37	1224104	0202	10	2050402016	0501	2
1140713200	0301	A 10	1222013	0301	A 42	1224147	0701	12	2050402017	0101	11
1140713200	0301	B 56	1222030	0301	B 43	1224791	0301	B 38	2050402018	0201	1
1140713300	0301	A 14	1222030	0301	A 45	1224791	0301	A 43	2050402023	0301	B 5
1140713300	0301	B 59	1222031	0301	B 41	1224791	0501	25	2050402023	0301	A 18
1140713300	0301	B	1222031	0401	11	1224794	0101	17	2050402026	0701	1
1140713303	0301	B 65	1222034	0201	12	1224794	0301	B 44	2050402027	0701	2
1141015002	0301	A 2	1222034	0501	26	1224794	0301	A 46	2050402029	0201	7
1141015002	0301	B 54	1222037	0101	15	1224794	0401	7	2050402031	0701	3
1141015003	0301	B 26	1222037	0301	B 42	1224794	0701	11	2050402043	0102	1 2
1141015003	0301	A 39	1222040	0401	10	1224801	0101	19	2050402044	0102	1 1
1150100005	0301	B 49	1222059	0201	14	1224801	0201	15	2050403002	0501	17
1150100005	0301	A 51	1222061	0101	18	1224801	0202	12	2050403007	0501	18
1150100009	0301	B	1222061	0102	11	1224801	0401	14	2050403027	0102	1
1150211004	0301	A 1	1222061	0501	6	1224801	0501	9	2050403028	0102	2
1150211011	0301	B 1	1222087	0202	8	1224803	0101	27	2050404006	0102	9
1150360004	0301	A 15	1222206	0701	8	1225744	0301	B 47	2050404007	0102	16
1150360004	0301	B 62	1222218	0301	B 35	1225744	0301	A 49	2050404008	0102	7
1150510003	0301	B 6	1222218	0401	18	1226454	0701	7	2050404011	0301	B 16
1150510003	0301	A 19	1222230	0301	B 36	1226458	0101	14	2050404011	0301	A 29
1150610006	0301	B 58	1222230	0401	15	1226474	0201	18	2050404021	0202	7

PARTS No.	Sh. No.	Key No.	PARTS No.	Sh. No.	Key No.	PARTS No.	Sh. No.	Key No.	PARTS No.	Sh. No.	Key No.
2050404026	0101	9	3292730	0502	1						
2050404028	0101	12	4041000426	0602	0	1					
2050404032	0201	8	4041000427	0602	1						
2050404033	0201	9	4041000428	0602	2						
2050404048	0701	4	4041000429	0602	3						
2050404049	0701	5	4041000430	0602	4						
2050404054	0301	B 31	4041000431	0602	5						
2050404055	0301	B 32	4041000451	0601	2						
2050407003	0502	2	4041000452	0601	3						
2050407004	0502	3	4041000453	0601	4						
2050407009	0502	4	4041000454	0601	5						
2050407017	0502		4041000456	0601	7						
2050408001	0301	B 48	4041000490	0201	19						
2050408001	0301	A 50	4041000490	0202	19						
2050408002	0202	6	4041000491	0601	6						
2050408003	0301	A 30	4041000492	0101	3	1					
2050408007	0301	A 25	4041000492	0102	0						
2050408008	0301	A 26	4041000493	0101	3						
2050408009	0301	A 27	4041000493	0102	0	1					
2050408010	0301	A 28	4041000498	0301	B 6	1					
2050408013	0301	B 12	4041000498	0301	A 19	1					
2050408014	0301	B 13	4041000506	0301	A 54						
2050408015	0301	B 14	4041000506	0301	B 66						
2050408016	0301	B 15	4041000516	0301	B						
2050408017	0301	B 17	4041000523	0301	B 48	1					
2050408018	0301	B	4041000524	0202	6	1					
2050408019	0202		4041000526	0301	B						
2050410001	0501		4041000527	0202							
2050410002	0501	11	5180300000	0701	0						
2050410003	0501	12	5180301000	0201	0						
2050410011	0501	10	5180301001	0202	0						
2221994	0401	6	6050202001	0102	3						
2225146	0401	12	6050402001	0101	4						
3050205002	0301	A 5	6050402001	0102	12						
3050205003	0301	A 6									
3050401001	0501	0									
3050401002	0201	0	1								
3050403000	0401	0									
3050405001	0301	A 0	1								
3050405004	0301	A 0	2								
3050405004	0301	B 0	2								
3050405005	0301	A 0									
3050405010	0301	B 0									
3050405011	0301	B 0	1								
3050405012	0301	B 2									
3050405013	0301	B 4									
3050405014	0301	B 3									
3050407000	0501	0	1								
3050408000	0501	0	2								
3050411002	0502	0									
3206224	0301	B 33									
3206224	0301	A 40									
3222138	0701	10									
3250778	0201	5									
3251653	0502	8									
3251657	0502	9									
3251846	0301	A 8									
3251846	0301	B 29									
3262192	0201	21									