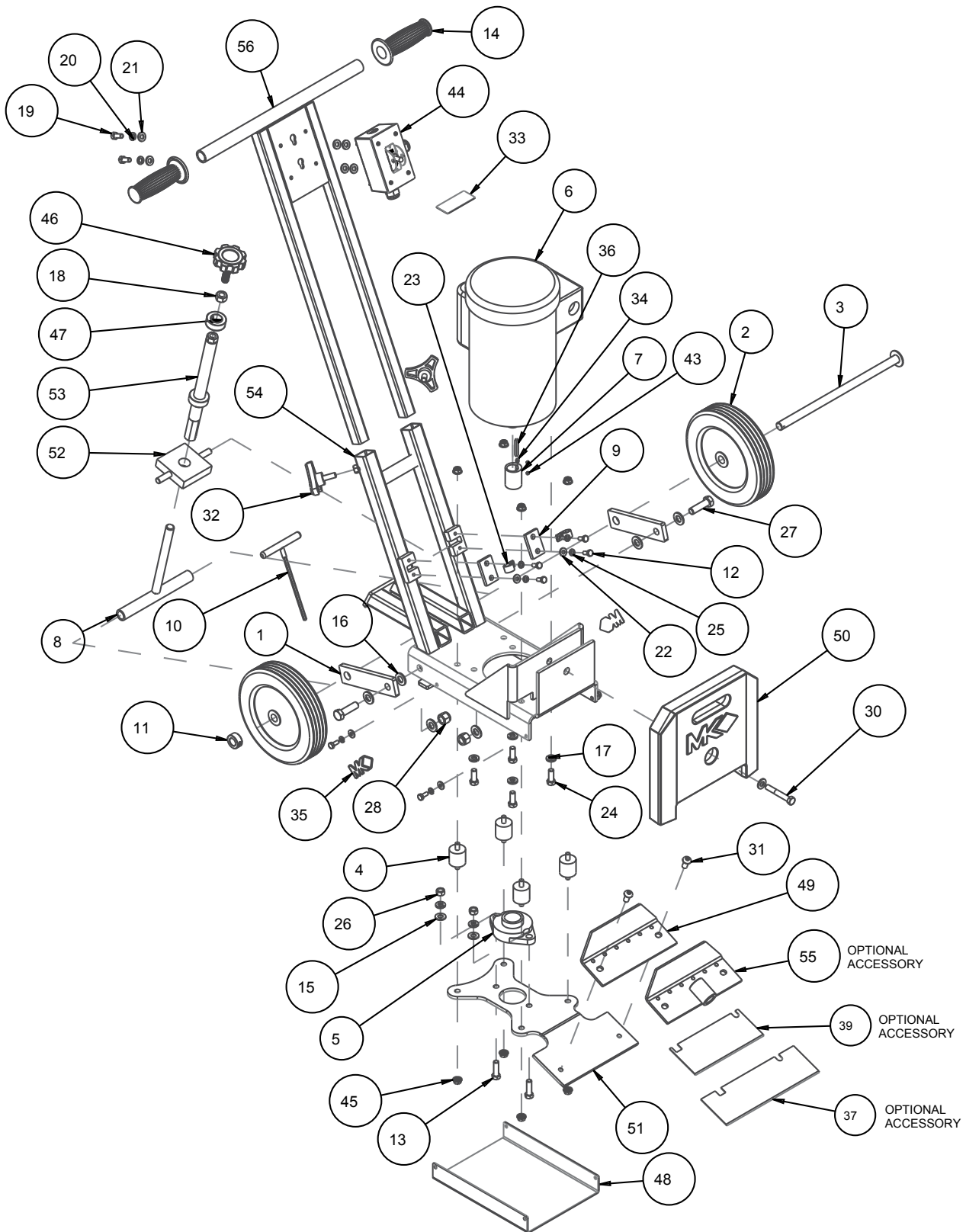


MK-VTS-50 PN 167676






MK-VTS-50 PN 167676

| ITEM NO. | DESCRIPTION | PART # | QTY. |
|----------|------------------------------------|--------------|------|
| 1 | LEG, WHEEL | 06-500-25 | 2 |
| 2 | WHEEL, REAR 8X1.75X .625 150LB | 06-500-29 | 2 |
| 3 | AXLE WELDMENT, BS-50 | 06-500-30 | 1 |
| 4 | SHOCK ABSORBR 60 NATURAL RUBBE | 06-505-102 | 4 |
| 5 | BEARING, FLANGE, 2 BOLT, SBLF-206 | 06-5280-6 | 1 |
| 6 | MTR, 1HP, 1P, 60HZ, BS-50 | 06-550-10 | 1 |
| 7 | ADAPTER, ECCENTRIC | 06-550-101 | 1 |
| 8 | ADJ T-BAR WELDMENT | 06-550-4 | 1 |
| 9 | PIVOT BRACKET COVER | 06-550-8 | 2 |
| 10 | BLADE WRENCH, 7/32X6 ARM | 06-6280-401B | 1 |
| 11 | COLLAR, 1.13 ODX .625ID .5 WIDE | 140012 | 1 |
| 12 | SCREW, HEX HEAD, 1/4-20 X 5/8 | 150404 | 8 |
| 13 | SCREW, 3/8-16 X 1-1/4 HEX HEAD CAP | 150774 | 2 |
| 14 | GRIP, HANDLE, 1.0ID | 150842 | 2 |
| 15 | WASHER, FLAT, SAE, 3/8 | 150923 | 3 |
| 16 | WASHER, 1/2 SAE FLAT | 150924 | 6 |
| 17 | WASHER, LOCK, SPLIT, 3/8 | 150925 | 6 |
| 18 | NUT, 1/2-13 HEX | 151282 | 1 |
| 19 | SCREW, HEX HD, CAP, 5/16-18 X 3/4 | 151369 | 2 |
| 20 | WASHER, LOCK, SPLIT, 5/16 | 151747 | 2 |
| 21 | WASHER, FLAT, SAE, 5/16 | 151754 | 6 |
| 22 | WASHER, FLAT, SAE, 1/4 | 151915 | 6 |
| 23 | CLAMP, 1/2 CUSHION LOOP | 152471 | 2 |
| 24 | SCREW, HEX HD CAP, 3/8-16 X 1 | 152507 | 4 |
| 25 | WASHER, LOCK, SPLIT, 1/4 | 152591 | 8 |
| 26 | NUT, 3/8-16 HEX CENTERLOCK | 153522 | 2 |
| 27 | SCREW, 1/2-13 X 1-3/4 HEX HEAD CAP | 153853 | 2 |
| 28 | NUT, 1/2-13 NYLOK HEX | 155162 | 2 |
| 29 | MANUAL TUBE, CLEAR | 155419 | 1 |
| 30 | SCREW, 3/8-16 X 2-1/2 HEX HEAD CAP | 156030 | 1 |
| 31 | SCREW, BTN HD 3/8-16 X 3/4 | 156635 | 2 |
| 32 | KNOB, TRI PLASTIC, 1" | 156770-01 | 2 |
| 33 | TAG, SERIAL NUMBER, BLANK | 157500-RW | 1 |
| 34 | SCREW, SET, 1/4-20X1/4 | 157528 | 1 |
| 35 | LOGO, MK ADHESIVE | 157914 | 2 |
| 36 | KEY, 3/16 SQR X 1-1/2 | 165347 | 1 |
| 37 | BLADE, SCRAPER, 10" X 3" | 167619 | 1 |
| 38 | OWNERS MANUAL MK-VTS SCRAPER | 167790 | 1 |
| 39 | BLADE SCRAPER, 7-3/8" X 3" | 167796 | 1 |

MK-VTS-50 PN 167676

| ITEM NO. | DESCRIPTION | PART # | QTY. |
|----------|------------------------------|-----------|------|
| 40 | ASSY, WARNING LABELS, VTS-50 | 167847 | 1 |
| 41 | ASSY, CARTON VTS-50 | 168043 | 1 |
| 42 | PALLET, VTS-50 SCRAPER | 168044 | 1 |
| 43 | SCREW, SET, #10-24 X 3/16 | 168055 | 2 |
| 44 | ASSY, SWITCH BOX, VTS-50 | 172836-10 | 1 |
| 45 | NUT, HEX, SFL, 5/16 -18 | 5000810 | 8 |
| 46 | KNOB, THRD 1/2 -13 X 1.5 | CP-10098 | 1 |
| 47 | COLLAR, 57/64X 1-1/2 | CP-10099 | 1 |
| 48 | BOTTOM COVER | PA-10599 | 1 |
| 49 | BLADE HOLDER | PA-10606 | 1 |
| 50 | WEIGHT, FRONT | PA-10607 | 1 |
| 51 | CUTTING HEAD | PA-10622 | 1 |
| 52 | ASSY, PIVOT PLATE | PG-10126 | 1 |
| 53 | ADJUSTMENT SHAFT WELDMENT | PG-10127 | 1 |
| 54 | CHASSIS, BS-50 | PG-10128 | 1 |
| 55 | TOOL HOLDER WELDMENT | PG-10130 | 1 |
| 56 | HANDLE WELDMENT | PG-10131 | 1 |

ACCESSORIES

| ITEM | NUMBER | DESCRIPTION | |
|------|----------|------------------------------------|---|
| 1 | 167619 | Vinyl Scraper blade 7-3/8" x 3" |  |
| 2 | 167796 | Vinyl Scraper blade 10" x 3" |  |
| 3 | PG-10130 | Tool Holder |  |