



SERVICE/PARTS MANUAL

MODELS: RP652

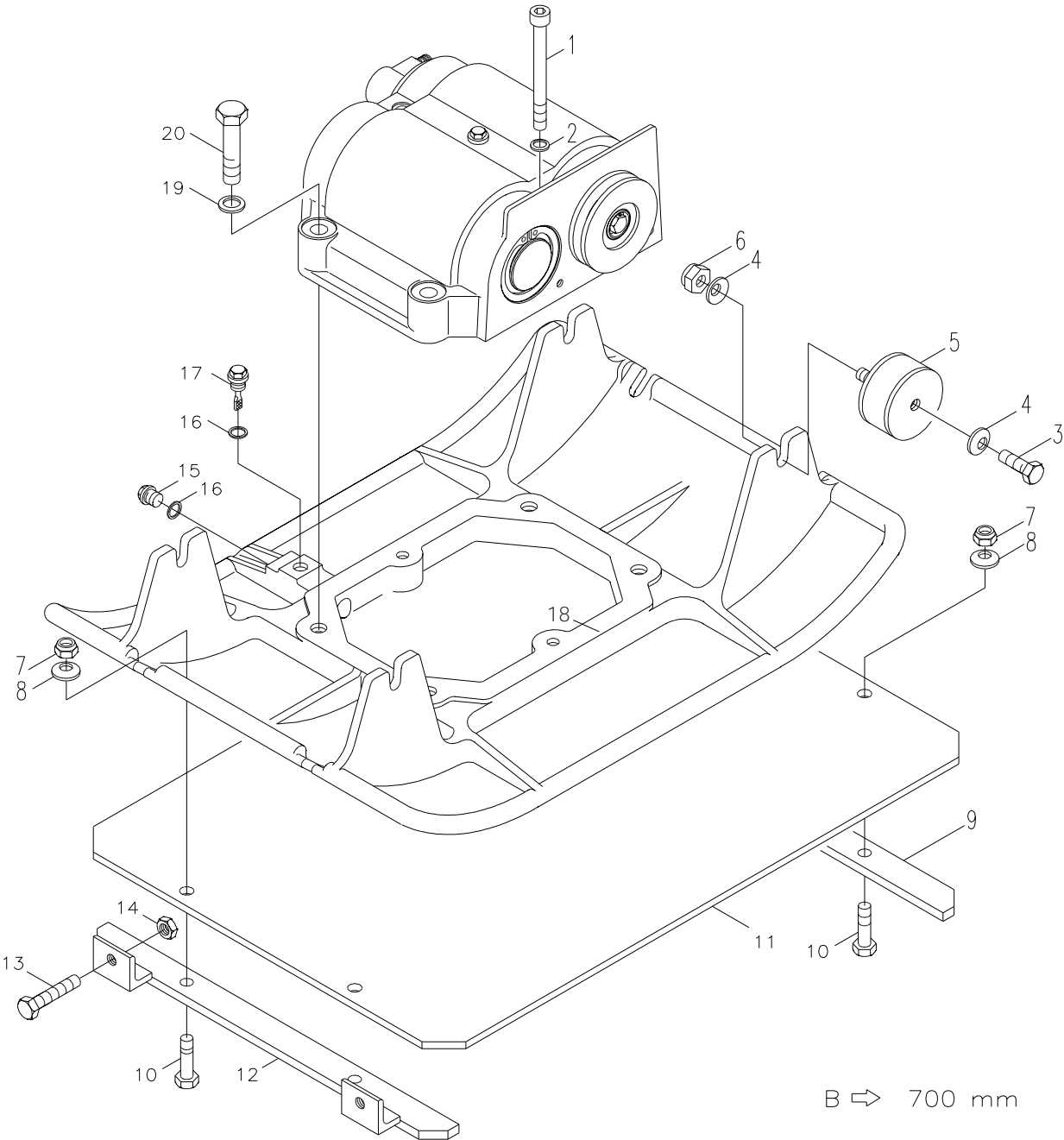


REVERSIBLE PLATE

A 100% employee-owned American manufacturer

PARTS LIST

Plate Assembly



100_1.dxf

PARTS LIST

Plate Assembly

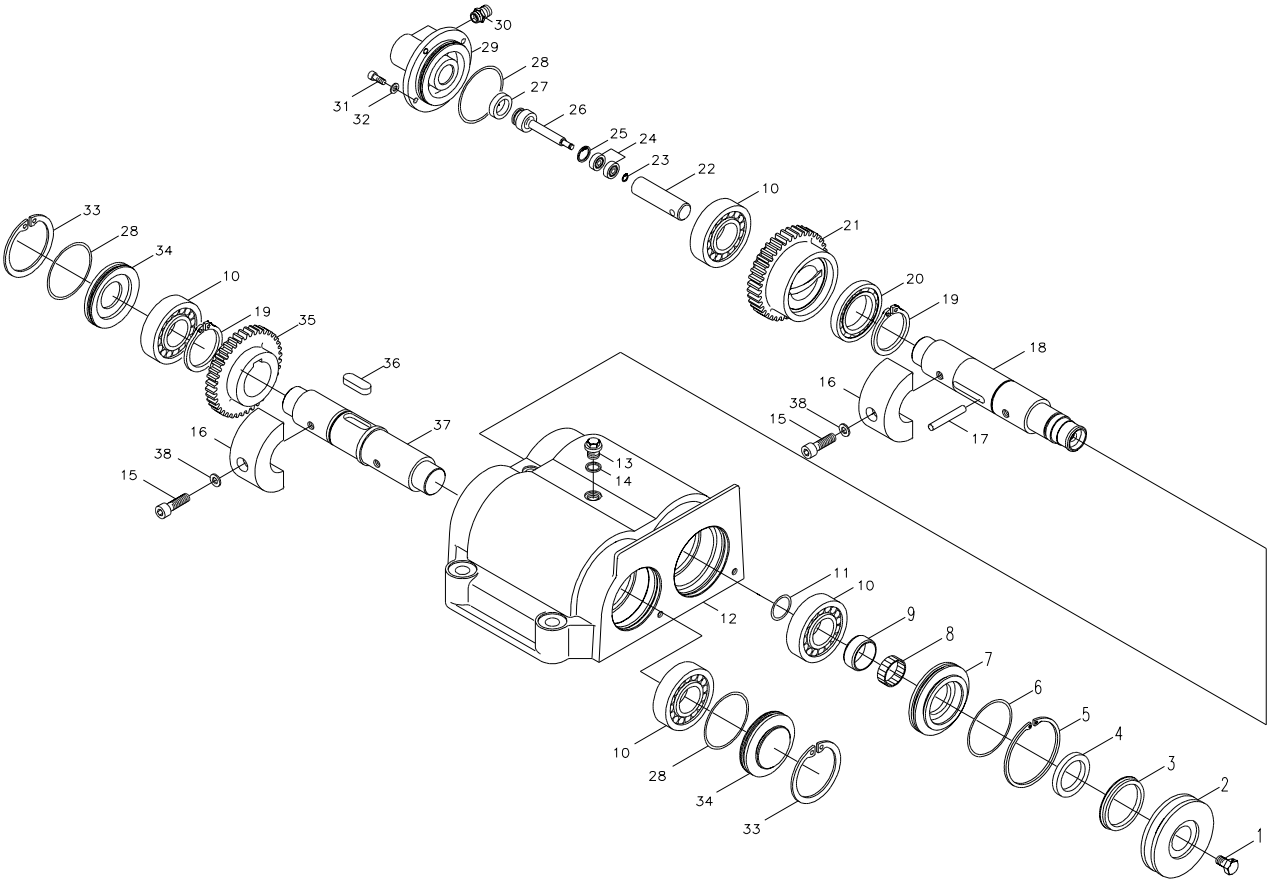
ITEM	PART NO.	DESCRIPTION	QUANTITY	DIN
1*	61562	SHCS M12 x 120 10.9	2	912
2	60325	Lock Washer VS 12	2	-
3	63327	HHCS M 12 x 20 8.8	4	912
4	60189	Conical Spring Washer 12 FSt	8	6796
5	63292	Rubber Buffer	4	-
6	60464	Hexagon Nut M12 8	4	985
7	60464	Hexagon Nut 8	8	-
8	60189	Conical Spring Washer 12FSt	8	6796
9	62295	Flat Steel 700 mm	1	-
10	63294	HHCS M12 x 45 8.8	8	931
11	63328	Plate 700 mm	1	-
12	63329	Clamping Piece 700 mm	1	-
13	62338	HHCS M12 x 55 8.8	2	933
14	61365	Hexagon Nut M12 8	2	936
15	61563	Screw Plug M14 x 1,5 5.8	1	910
16	60146	Copper Gasket A14 x 18	2	7603
17	63297	Oil Measuring Plug	1	-
18**	63330	Base Plate 700 mm	1	-
19	60507	Lock Washer VS 16	4	-
20*	63331	HHCS M16 x 65 10.9	4	931

* Loctite 640

** Loctite 518

PARTS LIST

Eccentric Assembly



200_1.dxf

PARTS LIST

Eccentric Assembly

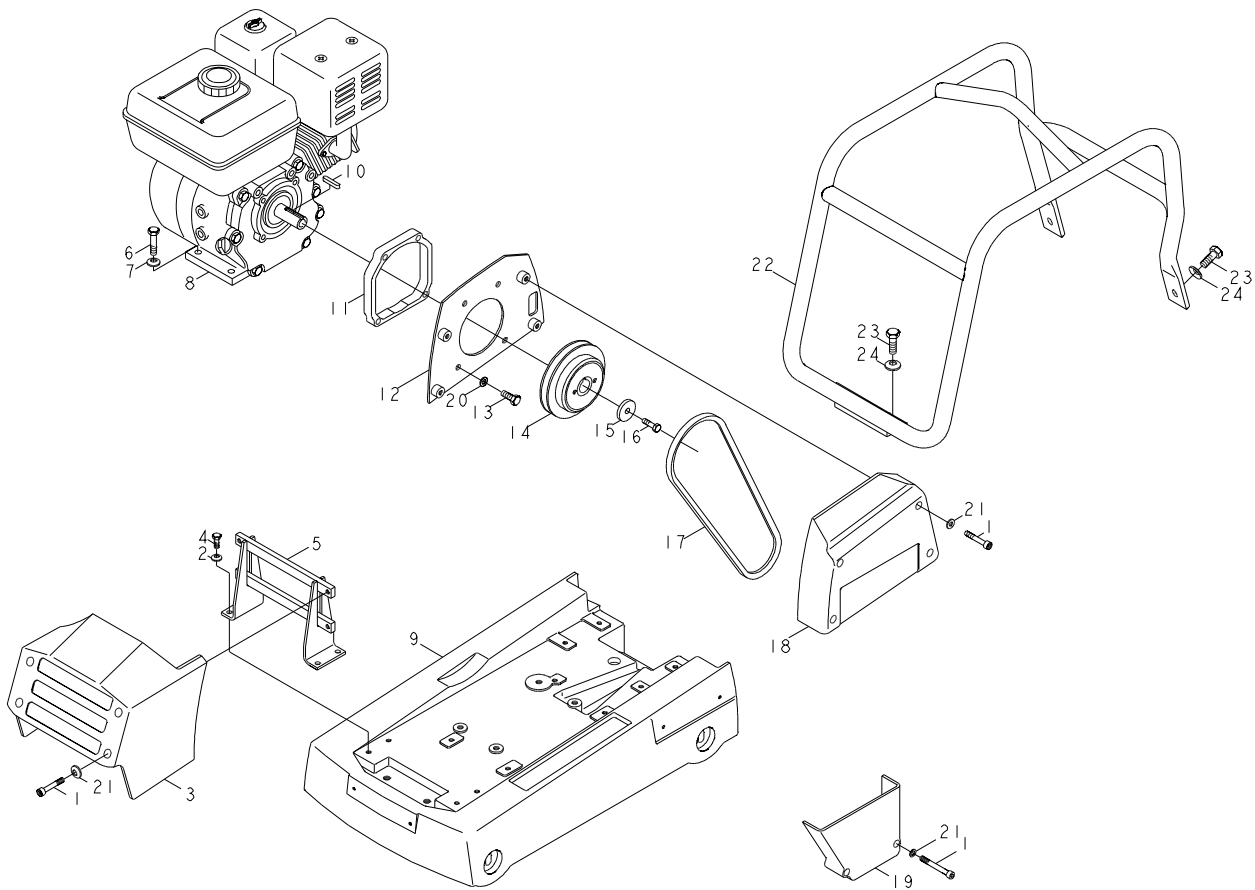
ITEM	PART NO.	DESCRIPTION	QUANTITY	DIN
1	63332	Venting Screw	1	-
2	63333	V-Belt Pulley	1	-
3	62203	V-Ring	1	-
4	61313	Rotary Shaft Seal	1	-
5	61574	Retaining Ring J90 x 3 V	1	-
6	61572	O-Ring OR 80 x 3.5	1	-
7	63334	Sealing Flange	1	-
8	63335	Tolerance Ring	1	-
9	62207	Internal Ring	1	-
10	63336	Cylindrical Roller Bearing	4	-
11	61337	O-Ring OR 27 x 2.5	1	-
12	63337	Exciter Housing	1	-
13	61563	Screw Plug M14 x 1.5 5.8	1	910
14	60146	Copper Gasket A14 x 18	1	7603
15*	62214	SHCS M10 x 25 10.9	4	912
16	63338	Eccentric Weight	4	-
17	63339	Set Pin 8m6 x 55	1	6325
18	63340	Exciter Shaft	1	-
19	60590	Retaining Ring A45 x 1.75	2	471
20	63341	Deep Groove Ball Bearing	1	-
21	63342	Gear Wheel	1	-
22	63343	Guidance	1	-
23	62218	Retaining Ring A6 x 0.7	1	471
24^	62219	Deep Groove Ball Bearing	2	-
25	62220	Retaining Ring J19 x 1	1	472
26	62221	Piston	1	-
27	62222	Piston Packing	1	-
28	63344	O-Ring OR 68 x 3	3	-
29	63345	Bearing Cover	1	-
30	61639	Fitting	1	-
31	60631	SHCS M6 x 16 8.8	4	912
32	60402	Lock Washer VS 6	4	-
33	60490	Retaining Ring J80 x 2.5	2	472
34	63346	Sealing Flange	2	-
35	63347	Gear Wheel	1	-
36	63348	Key A 14 x 9 x 40	1	6885
37	63349	Exciter Shaft	1	-

* Loctite 640

^ Shell Alvania R3 Grease

PARTS LIST

Upper Deck Assembly



330h_1.dxf

PARTS LIST

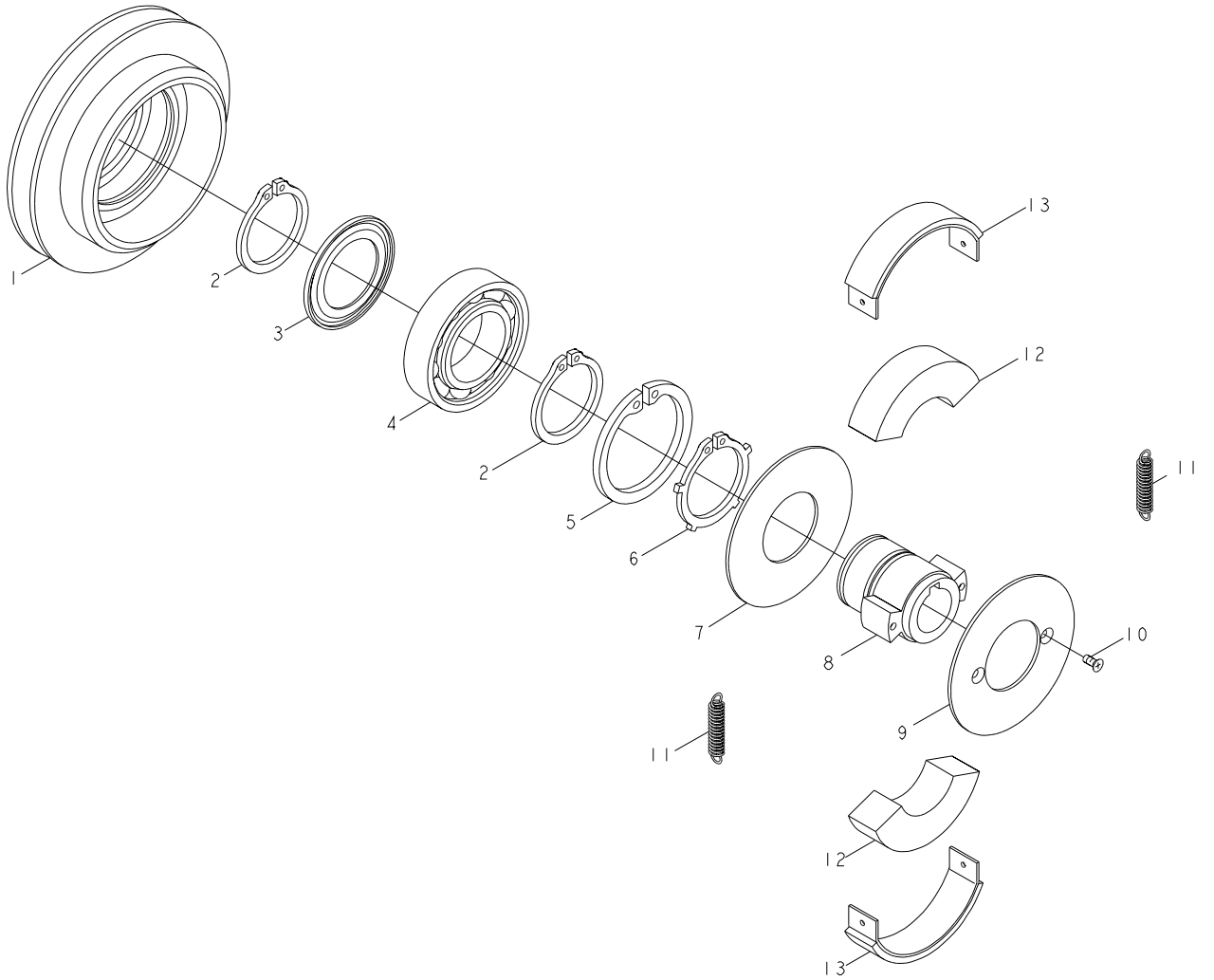
Upper Deck Assembly

ITEM	PART NO.	DESCRIPTION	QUANTITY	DIN
1	63305	SHCS M8 x 50 8.8	8	912
2	61086	Conical Spring Washer 8 FSt	4	6796
3	63367	Panel	1	-
4*	60903	HHCS M8 x 15 8G	4	933
5	63368	Holder	1	-
6*	62092	HHCS M10 x 40 8.8	4	931
7	62197	Conical Spring Washer 10FSt	4	6796
8	30306	Engine	1	-
9	63369	Upper Tray	1	-
10	62107	Key A 7 x 7 x 56	1	6885
11	63370	Distance Plate	1	-
12	63371	V-Belt Guard	1	-
13	61846	HHCS M10 x 35 8.8	4	933
14	63372	Centrifugal Clutch	1	-
15	63373	Washer	1	-
16*	60723	HHCS M8 x 30 8.8	1	933
17	61247	V-Belt	1	-
18	63304	V-Belt Guard	1	-
19	63374	V-Belt Guard	1	-
20	60324	Lock Washer VS10	4	-
21	60438	Lock Washer VS8	10	-
22	63375	Hoop Guard	1	-
23*	60290	HHCS M12 x 35 8.8	4	933
24	60189	Conical Spring Washer 12 FSt	4	6796

* Loctite 640

PARTS LIST

Clutch Assembly



320h_1.dxf

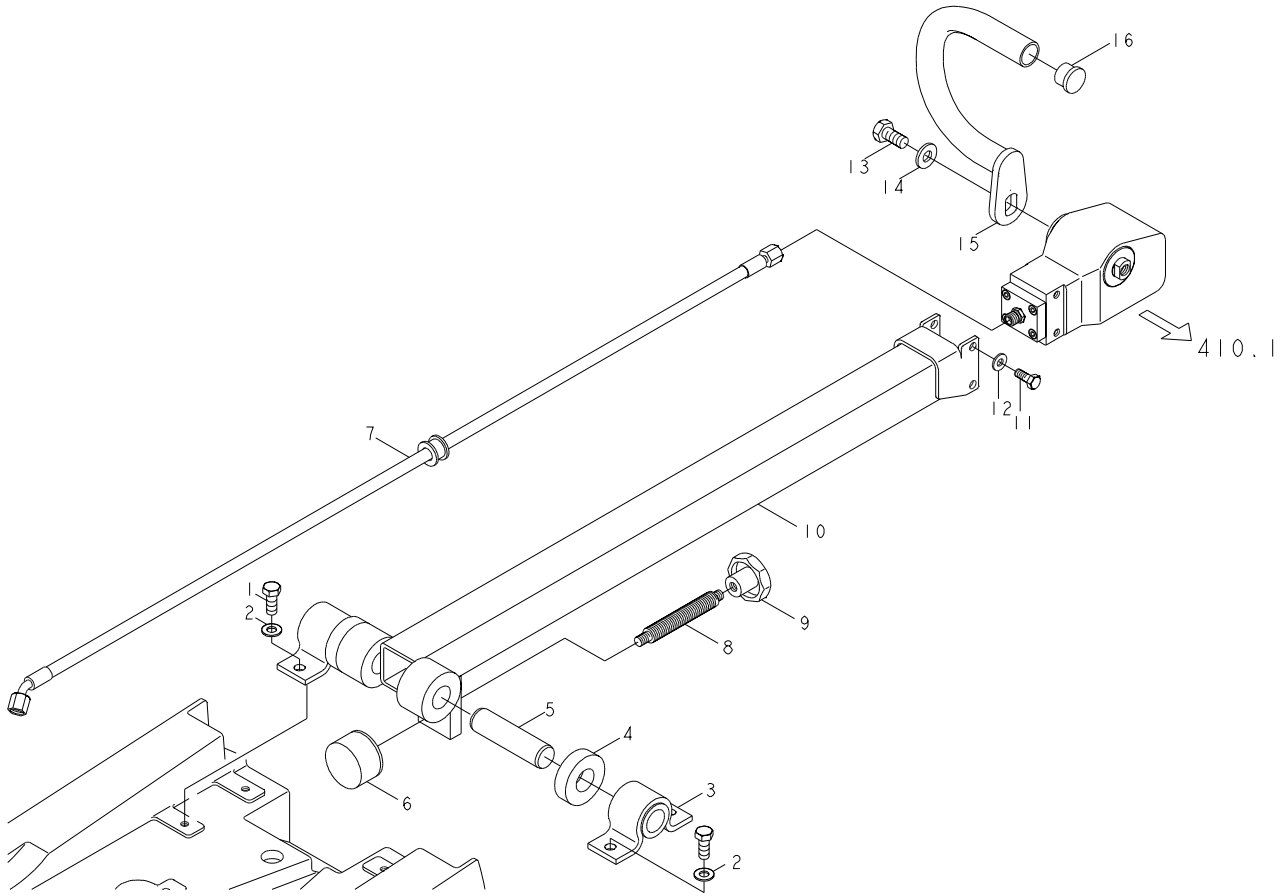
PARTS LIST

Clutch Assembly

ITEM	PART NO.	DESCRIPTION	QUANTITY	DIN
1	6336 3	Housing	1	-
2	60448	Retaining Ring A 40 x 1.75	2	471
3	63351	Ring	1	-
4	60386	Deep Groove Ball Bearing	1	-
5	61404	Retaining Ring J68 x 2	1	472
6	61579	Retaining Ring A40 x 1.75 L	1	-
7	63352	Disk	1	-
8	63364	Hub	1	-
9	63365	Disk	1	-
10	63366	Countersunk Screw M4 x 8 5.8	2	-
11	63355	Tension Spring	2	-
12	63356	Centrifugal Weight	2	-
13	63357	Lining Strap	2	-

PARTS LIST

Handle Assembly



400_3.dxf

PARTS LIST

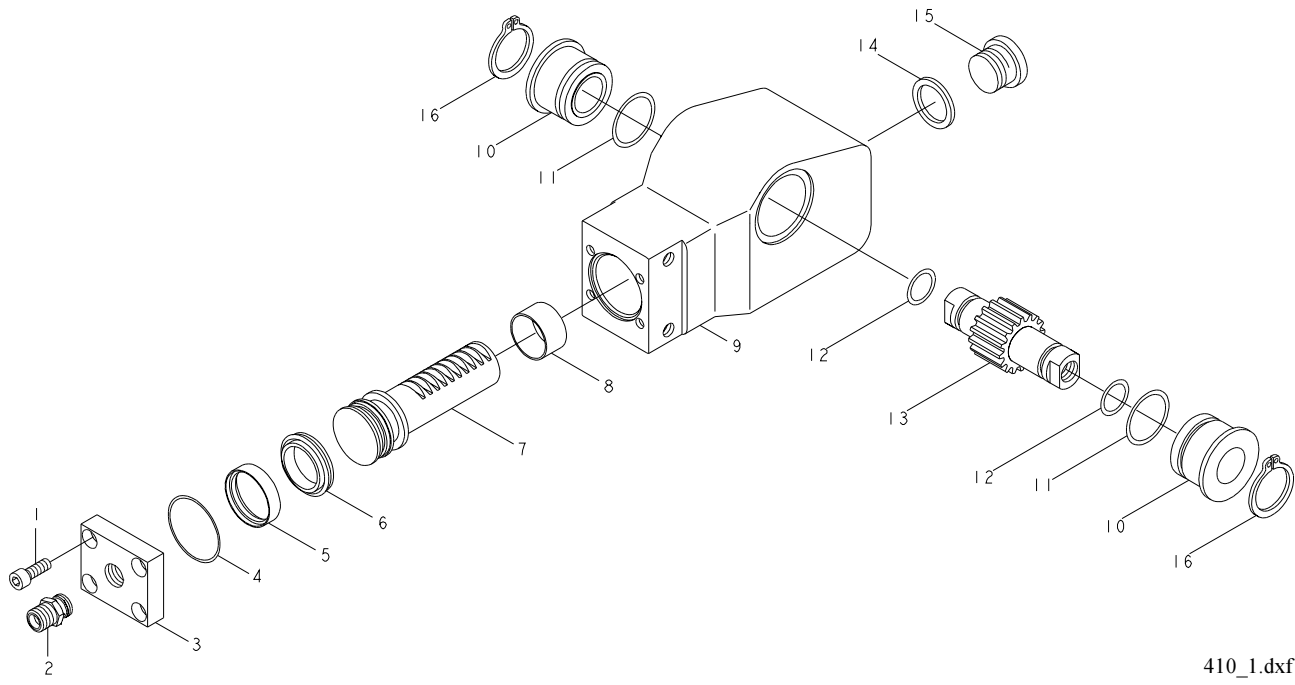
Handle Assembly

ITEM	PART NO.	DESCRIPTION	QUANTITY	DIN
1*	60329	HHCS M10 x 25 8.8	4	933
2	62197	Conical Spring Washer 10 FSt	4	6796
3	63358	Tow Bar Bearing	2	-
4	63359	Round Steel Bar	2	-
5	63360	Bearing Bolt	1	-
6*	61617	Bump Stop	1	-
7	63361	Hydraulic Hose	1	-
8	63312	Thread Rod	1	-
9*	63313	Star Grip	1	-
10	63362	Tow Bar	1	-
11	60508	HHCS M8 x 20 8.8	4	933
12	60438	Lock Washer VS 8	4	-
13*	60330	HHCS M12 x 25 8.8	2	933
14	60189	Conical Spring Washer 12FSt	2	6796
15	63315	Tow Bar Grip	2	-
16	63316	Plug	2	-

* Loctite 640

PARTS LIST

Control Assembly



410_1.dxf

PARTS LIST

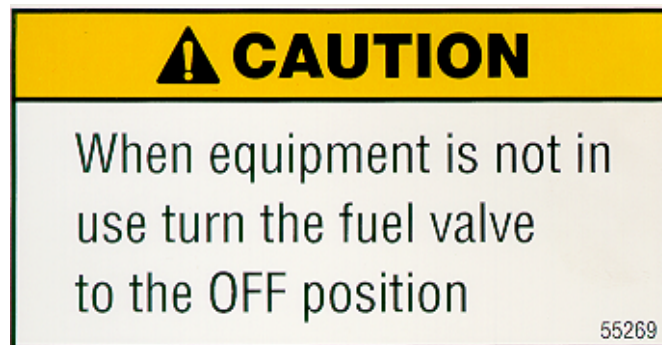
Control Assembly

ITEM	PART NO.	DESCRIPTION	QUANTITY	DIN
1	60631	SHCS M6 x 16 8.8	4	912
2	61619	Hyd Fitting	1	-
3	63317	Valve Cover	1	-
4	63274	O-Ring OR 36.27 x 1.78	1	-
5	63318	Guide Ring	1	-
6	63319	Piston Packing	1	-
7	63320	Piston Rod	1	-
8	63321	Bush	1	-
9	63322	Valve Housing	1	-
10	63323	Bush	2	-
11	61337	O-Ring OR 27 x 2.5	2	-
12	63324	O-Ring OR 16 x 2.7	2	-
13	63325	Pinion	1	-
14	61866	Joint Washer A22 x 29	1	7603
15	62049	Screw Plug M22 x 1.5 5.8	1	908
16	63326	Retaining Ring A21 x 1.2	2	471
17 #	76900	Assembly RP522/642 Valve Towbar	1	-

Not shown, includes items 1 - 16.

PARTS LIST

Decal Identification



PARTS LIST

Decal Identification

ITEM	PART NO.	DESCRIPTION	QUANTITY
1	55252	Decal STA-BIL	1
2	55269	Decal Fuel Shut Off	1
3	55293	Decal Danger Gas	1