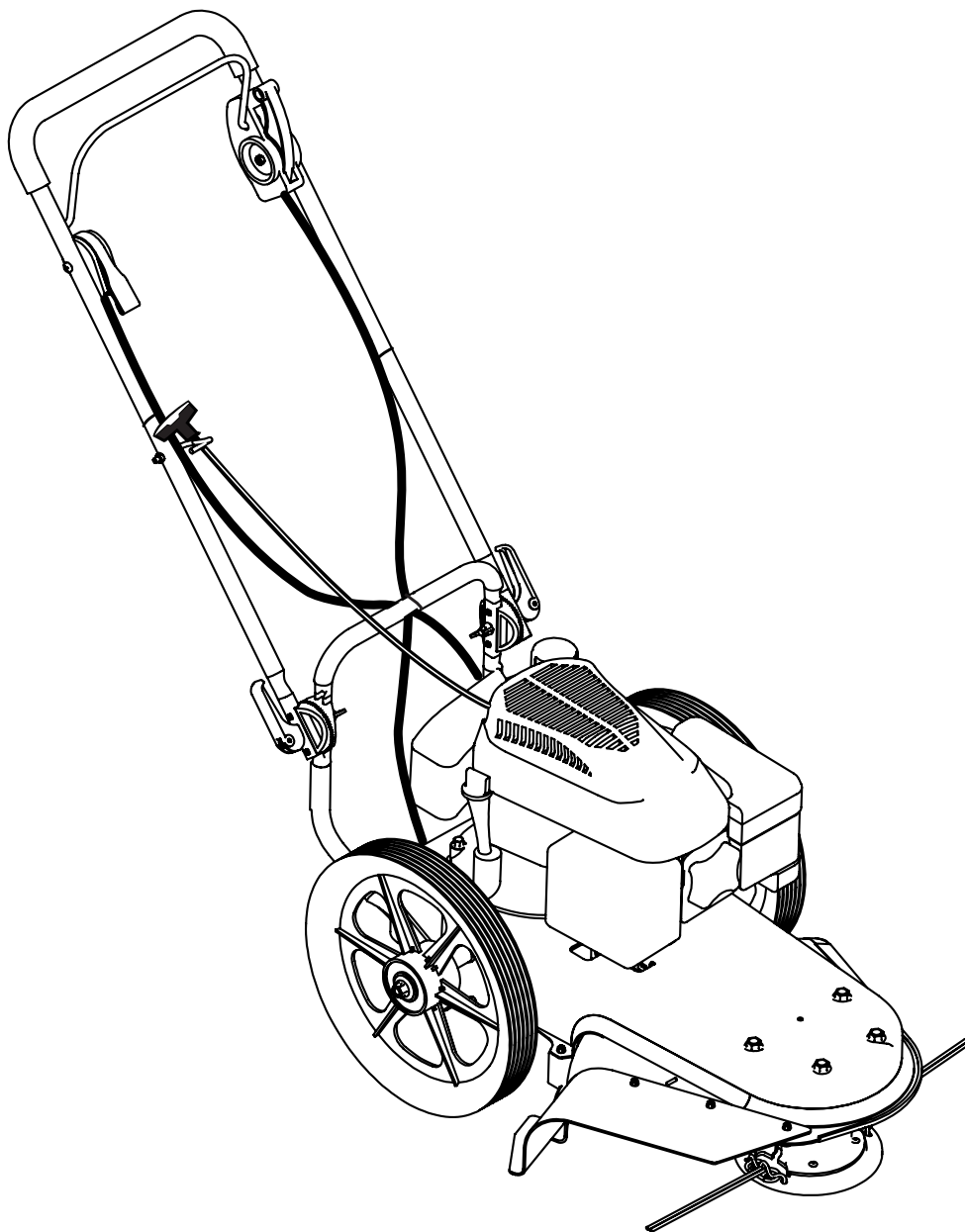




Operator's Manual
Original Operating
Instructions

**Rolling High-Wheel
String Trimmer
600050 Series**



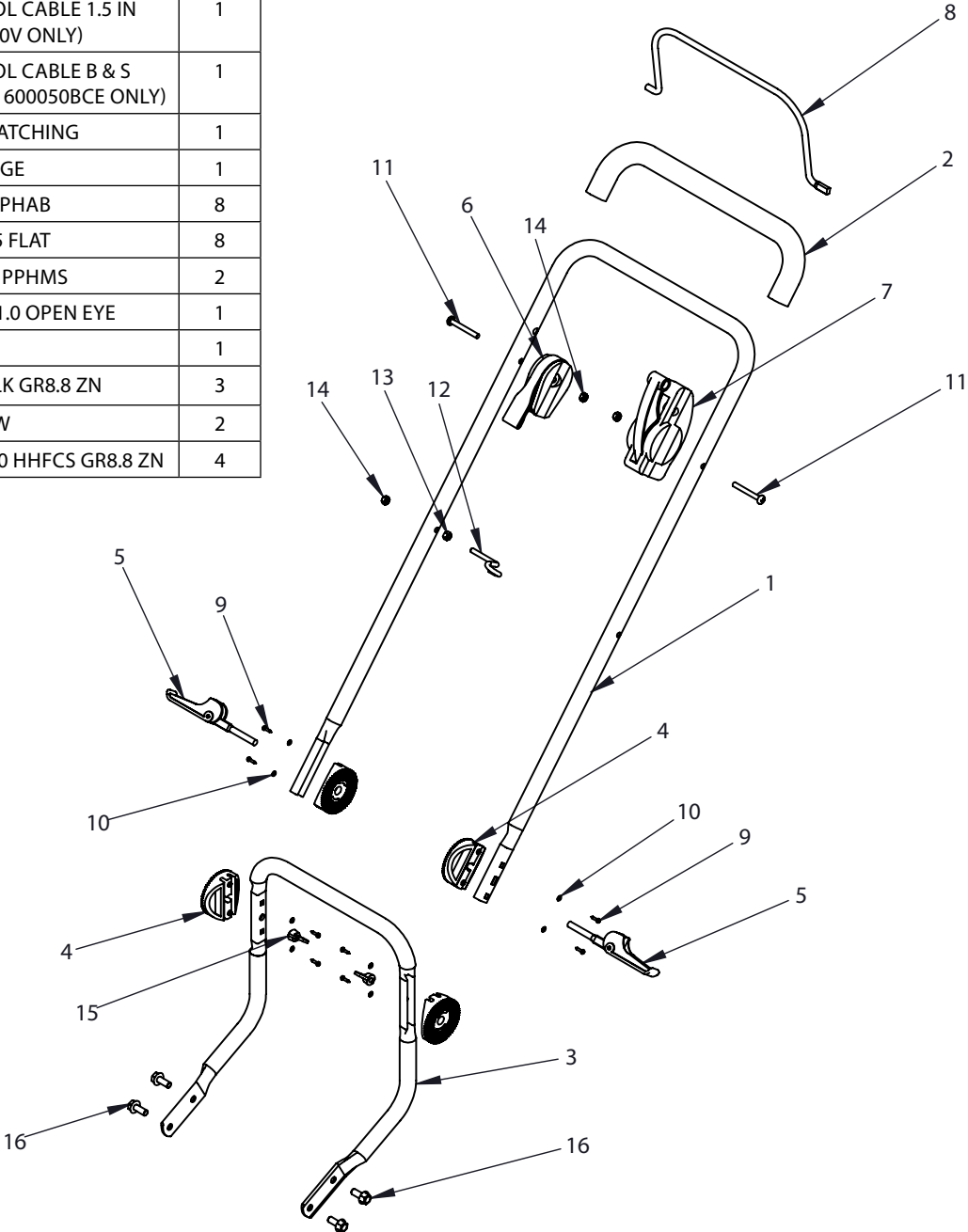
INCLUDES MODELS:

- 600050V (pictured)**
- 600050B**
- 600050BCE**

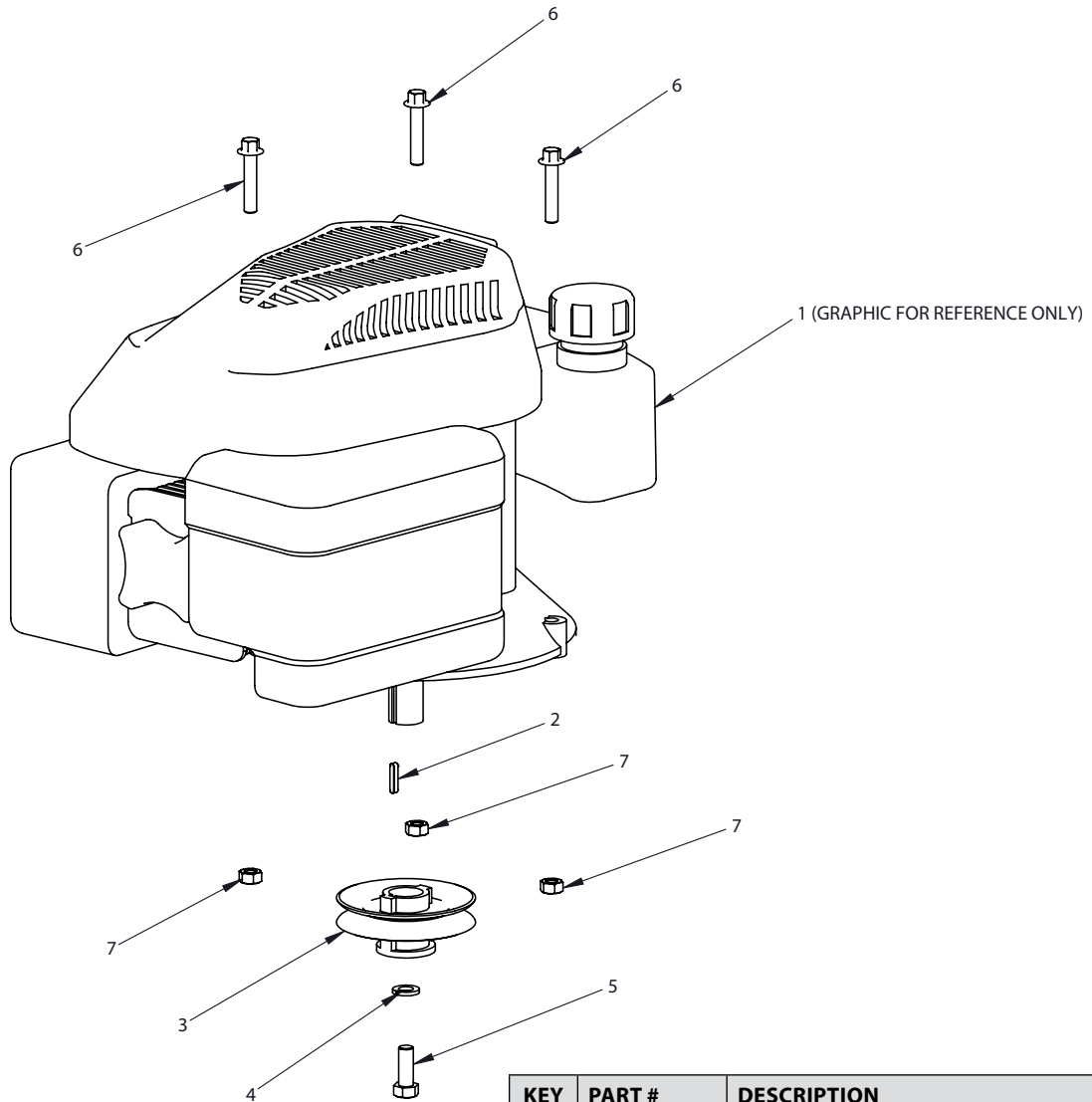
PARTS BREAKDOWN

Handlebars

KEY	PART #	DESCRIPTION	QTY.
1	19942	HANDLEBAR UPPER CAM ADJUST	1
2	19901	GRIP HANDLEBAR FOAM	1
3	19941	HANDLEBAR LOWER CAM ADJUST	1
4	19912	HANDLE PIVOT PLASTIC MOLDING	4
5	19913	CAM LEVER BOLT ASSEMBLY	2
6	19914	THROTTLE CONTROL CABLE 1.5 IN RANGE (FOR 600050V ONLY)	1
	60005039	THROTTLE CONTROL CABLE B & S (FOR 600050B AND 600050BCE ONLY)	1
7	60005019	CABLE CONTROL LATCHING	1
8	19943	LEVER DRIVE ENGAGE	1
9	19911	SCREW M2.9 X 13 PPHAB	8
10	19975	WASHER M3 X 7 X .5 FLAT	8
11	19908	BOLT M6 X 1.0 X 50 PPHMS	2
12	19902	ROPE GUIDE M6 X 1.0 OPEN EYE	1
13	19939	NUT M6 X 1.0 HBW	1
14	W1265V0913	NUT M6 X 1.0 HNYLK GR8.8 ZN	3
15	19910	NUT M8 X 1.25 WBW	2
16	19945	BOLT M8 X 1.25 X 20 HHFCS GR8.8 ZN	4



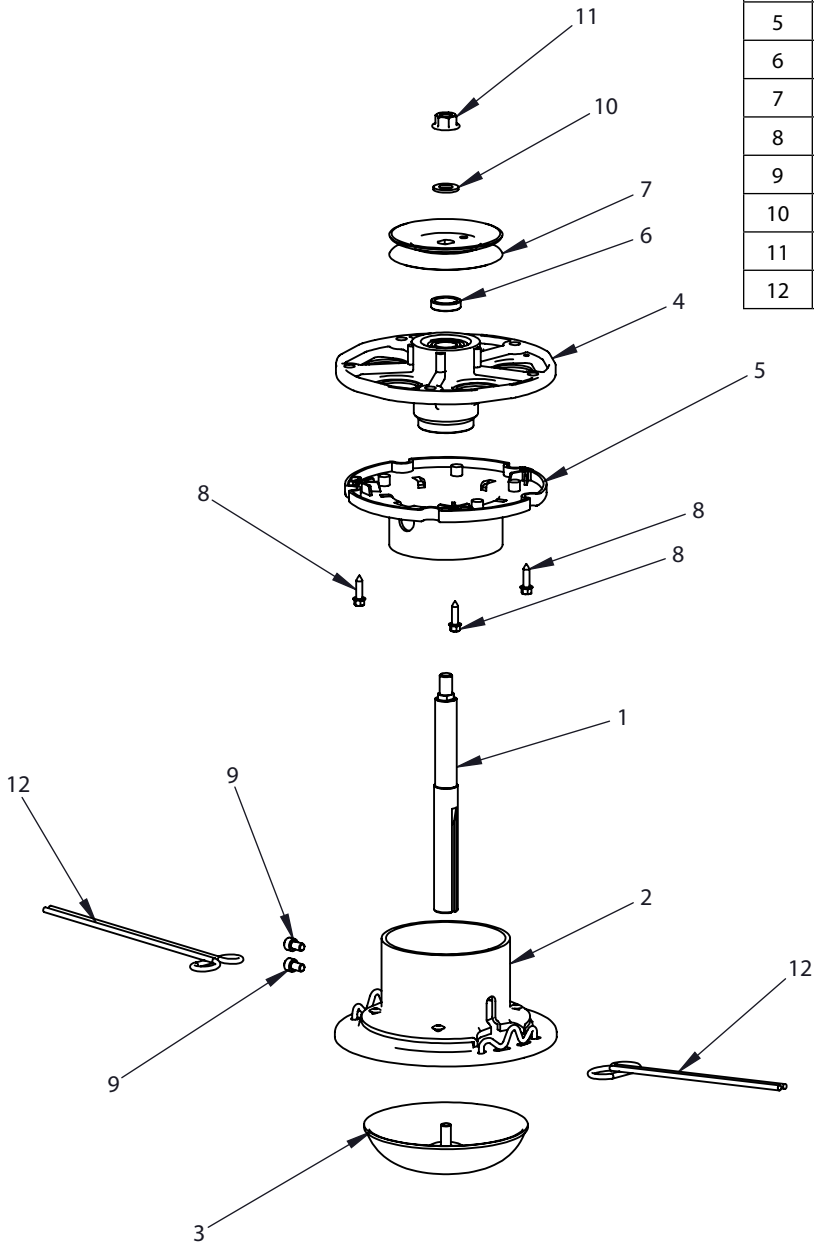
Engine and Pulley Attachment



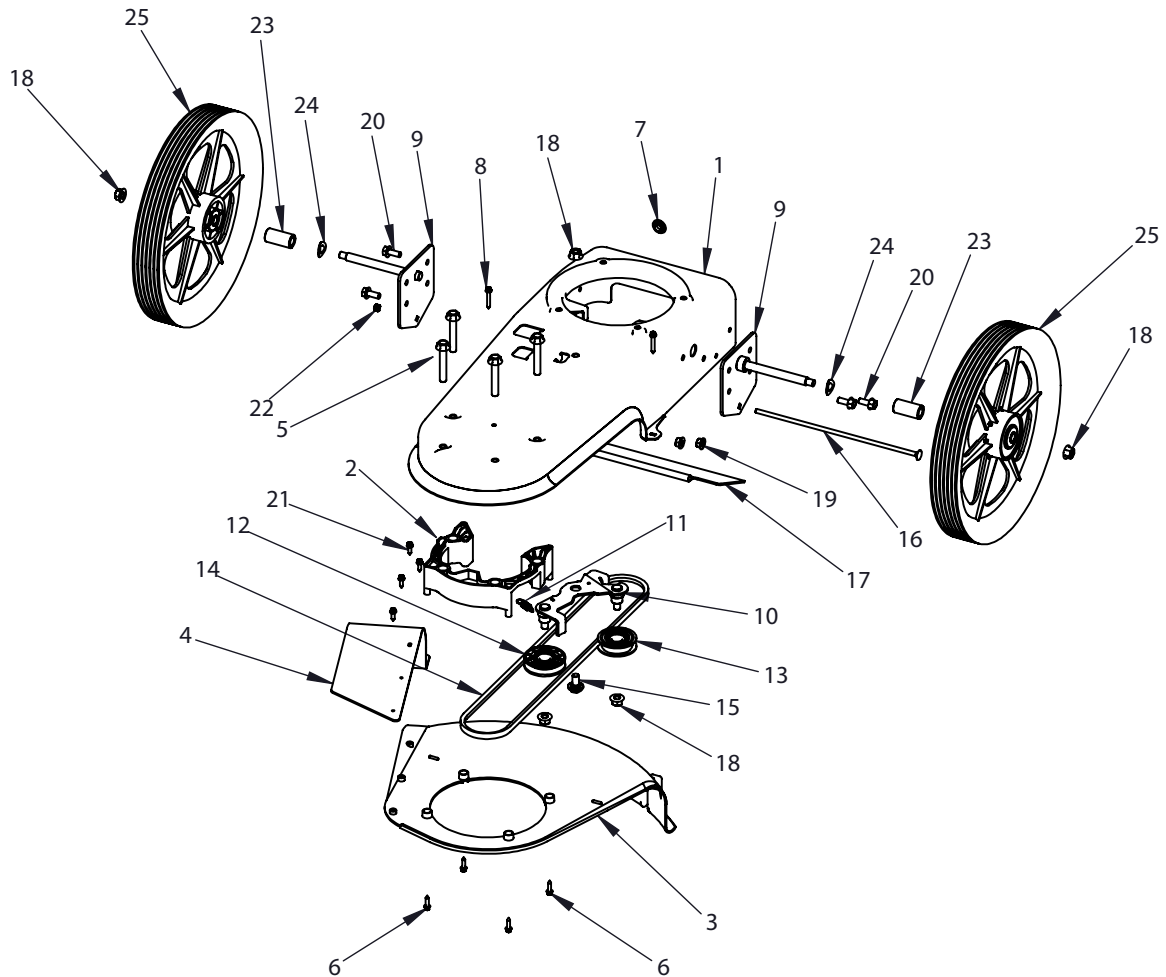
KEY	PART #	DESCRIPTION	QTY.
1	60005072	ENGINE 159CC LONCIN VERT (SHOWN, FOR 600050V ONLY)	1
	60005070	ENGINE VERT BRIGGS 675 ST (NOT SHOWN, FOR 600050B ONLY)	1
	60005071	ENGINE VERT BRIGGS 675 CE ST (NOT SHOWN, FOR 600050BCE ONLY)	1
2	19971	KEY 4MM X 4MM	1
3	19970	PULLEY AND BUSHING WELDMENT (FOR 600050V ONLY)	1
4	1916965	WASHER LOCK SPRING .375	1
5	53194	BOLT 3/8-24 X 1 HH GR5 ZN F-T	1
6	19922	BOLT M8 X 1.25 X 40 HHFCS GR8.8 ZN	3
7	W1265V0900	NUT M8 X 1.25 H NYLK GR8.8 ZN	3

Trimmer Head

KEY	PART #	DESCRIPTION	QTY.
1	19928	CUTTING HEAD SHAFT M10 X 1.5 TOP THREAD	1
2	19924	ASSEMBLY CUTTER HEAD AND WRAP METRIC	1
3	19923	HEIGHT GUIDE ASSEMBLY METRIC	1
4	19958	ASSEMBLY JACKSHAFT HOUSING AND BEARINGS	1
5	60005054	WRAP WEED	1
6	19925	SPACER M17.5 X 23.5 X 6	1
7	19929	PULLEY CUTTING HEAD METRIC	1
8	19920	SCREW M5 X 3 X 20 HWHY YLZN	3
9	19919	BOLT M6 X 1.0 X 10 SRHCS	2
10	19926	WASHER M10 X 21 X 1.1 FLAT	1
11	64491	NUT FLANGE M10	1
12	60005009	LINE TRIM .125 X 21.25 RED	2



Base Unit



KEY	PART #	DESCRIPTION	QTY.
1	19961	DECK FRAME METRIC	1
2	60005024	JACKSHAFT ASSEMBLY SPACER	1
3	60005021	SHIELD TRIMMER BLK	1
4	60005010	ASSEMBLY GUARD	1
5	19927	BOLT M10 X 1.5 X 60 HHFCS	4
6	19920	SCREW M5 X 3 X 20 HWHY YLZN	4
7	19944	BUSHING M12 X 23 RUBBER	1
8	19940	SCREW M5 X 3 X 30	2
9	19938	AXLE AND BRACKET ASSEMBLY METRIC	2
10	19932	IDLER ASSEMBLY DBL/ZINC METRIC	1
11	60005008	SPRING EXTENSION 1.5LG	1
12	19968	ASSEMBLY V PULLEY AND BEARING	1

KEY	PART #	DESCRIPTION	QTY.
13	19934	ASSEMBLY 3L PULLEY AND BEARING	1
14	60005003	BELT	1
15	19936	BOLT M10 X 1.5 X 20 HHF SHLDR 1	1
16	19937	BOLT M6 X 1.0 X 285 CRG P-T	1
17	60005018	TRAILING SHIELD 13.28 V	1
18	64491	NUT FLANGE M10	5
19	64132	NUT M8 X 1.25 HSF	4
20	19945	BOLT M8 X 1.25 X 20 HHFCS GR8.8 ZN	4
21	19931	SCREW M5 X 3 X 15 PHWH AB	4
22	W1265V0913	NUT M6 X 1.0 HNYLK GR8.8 ZN	1
23	19904	SPACER WHEEL 14 X 22 X 43	2
24	60005029	WASHER SPRING 1/2 X 1 X .021	2
25	19983	ASSEMBLY TIRE RIM AND BEARINGS	2