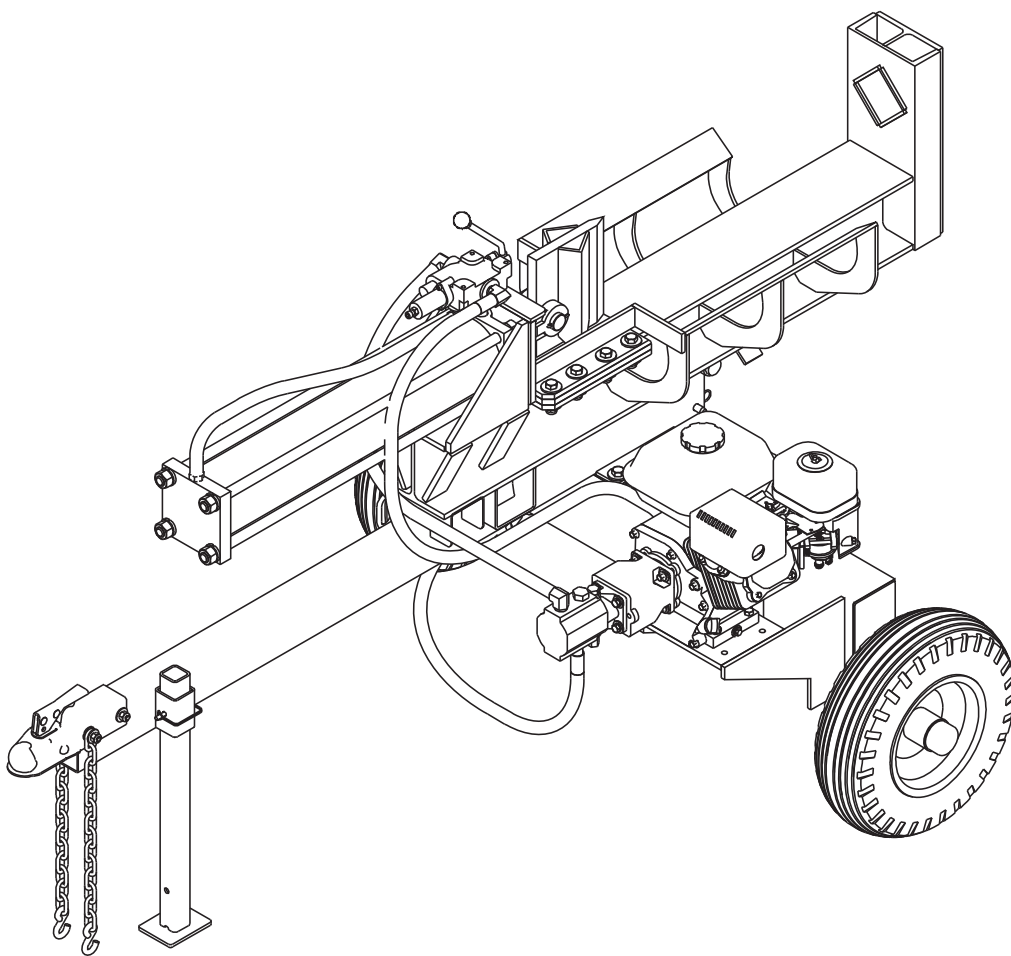




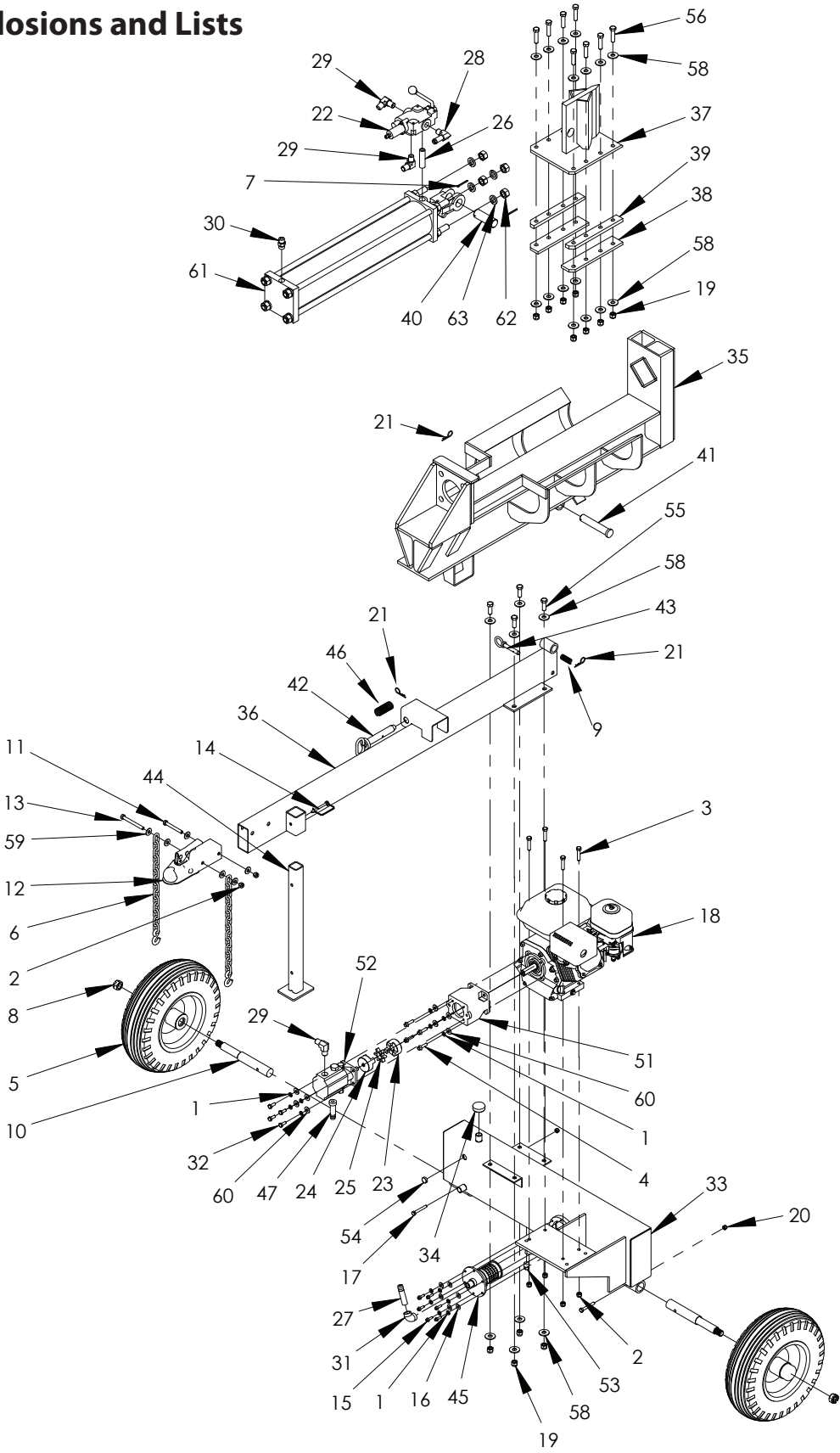
Operator's Manual  
**27-Ton  
Log Splitter  
W2700 Series**

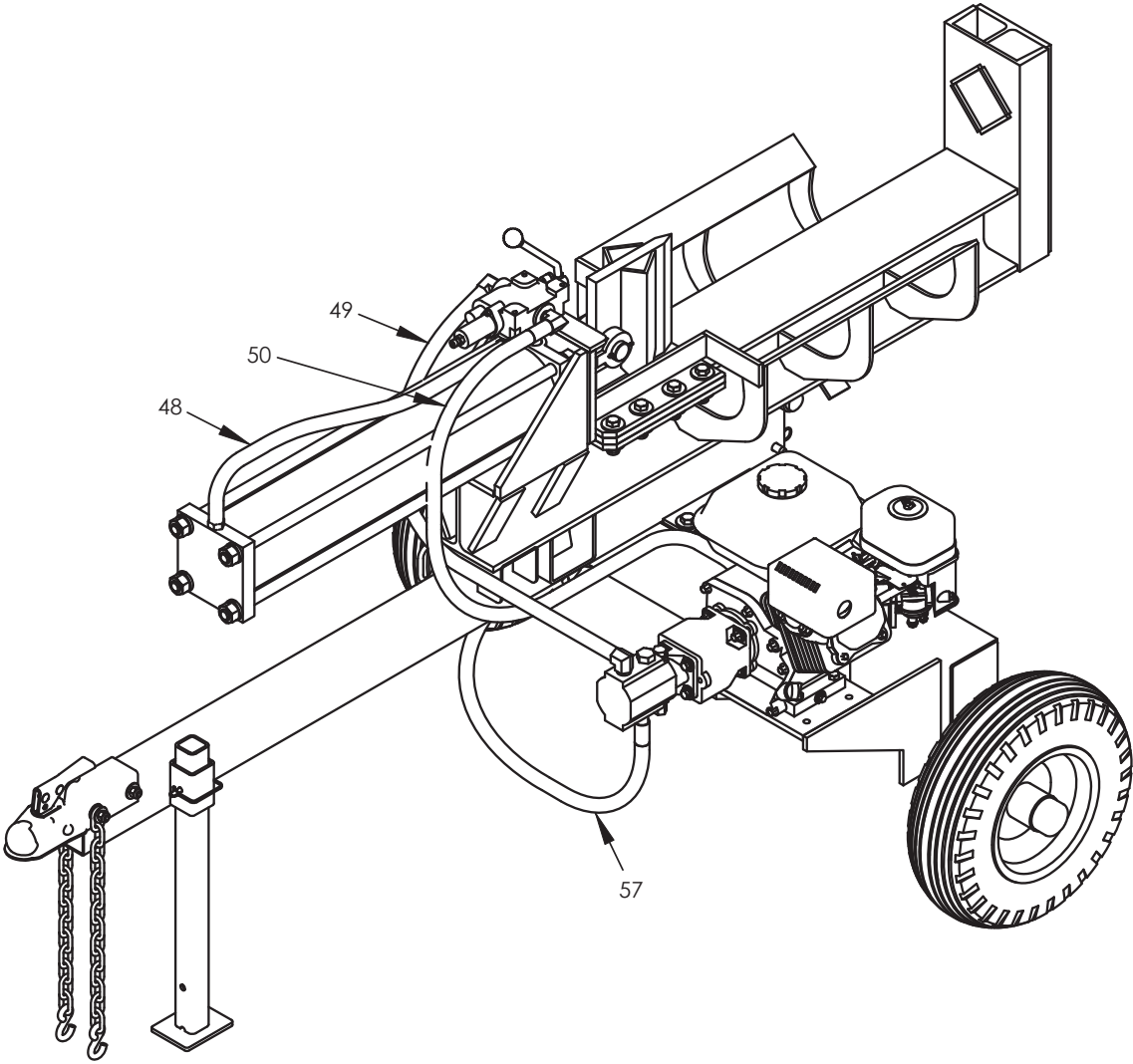


**W2700V WITH VIPER ENGINE**

**W2700B 11.50 GROSS TORQUE  
BRIGGS AND STRATTON**

## Parts Explosions and Lists







REF. NO.	PART #	DESCRIPTION	QTY.
1	504	LOCKWASHER-SPRING 5/16"	14
2	1662	NUT 3/8-16 NYLOC	6
3	2001	BOLT 3/8-16 X 1-3/4 HH GR5 ZN	4
4	3244	BOLT M8 X 1.25 X 30 HHFCS GR8.8 ZN	4
5	4099	WHEEL - HIGH SPEED	2
6	4146	CHAIN ASSEMBLED LOG SPLITTER	2
7	4155	PIN COTTER 5/32 X 1 1/2 SUPPLIED W-4099	2
8	4157	NUT- CASTLE 3/4" RETAINER FOR HIGH SPEED	2
9	4333	SPRING 1 3/4" FOR LS SPRING PIN	1
10	4339	SPINDLE DRILLED FOR LOG SPLITTER	2
11	4359	BOLT 3/8-16 X 3 HHCS	1
12	4386	COUPLER 2" BALL LATCH FOR 2" CHANNEL	1
13	4411	BOLT 3/8-16 X 3 3/4 HHCS	1
14	4501	SNAP PIN- SAFETY 1/4" X 2-1/4"	1
15	6311	BOLT M6 X 20 HHFCS (8HD) GR8.8 ZN	6
16	48261	WASHER 1/4" FLAT ZINC	6
17	48300	BOLT 5/16-18 X 2-1/4 HHCS GR5 ZN	2
18	60365	ENGINE - 6.5 HP VIPER HORZ	1
19	331052	LOCKNUT M12	12
20	60G5NY	NUT 5/16-18 NYLOC	2
21	HAIR5	PIN OVAL HAIR PIN 5/16" Z	3
22	W1265V0700	VALVE, FORWARD CONTROL CE	1
23	W1265V0802	COUPLING, LOVE JOY 19MM BORE WITH SET SCREW	1
24	W1265V0803	COUPLING, LOVE JOY 10MM BORE WITH SET SCREW	1
25	W1265V0804	SPIDER, LOVE JOY L SERIES	1
26	W1265V0810	PIPE, NIPPLE 1/2 NPT VALVE SPACER LOG SPLITTER	1
27	W1265V0811	FITTING 1/2" NPT TO HOSE	1
28	W1265V0812	FITTING, ELBOW 1/2" TO HOSE	1
29	W1265V0813	FITTING, ELBOW 1/2" NPT TO 1/2" JIC	3
30	W1265V0814	COUPLING 1/2" MALE TO MALE	1
31	W1265V0816	ELBOW 1/2" NPT	1
32	W1265V0904	BOLT M12 X 1.75 X 35 HHCS	4
33	W27000100	WELDMENT, TANK 27 TON LOG SPLITTER	1

REF. NO.	PART #	DESCRIPTION	QTY.
34	W27000110	CAP, OIL FILL 27 TON LOG SPLITTER	1
35	W27000200	WELDMENT, BEAM 27 TON LOG SPLITTER	1
36	W27000300	WELDMENT, TONGUE 27 TON LOG SPLITTER	1
37	W27000306	WELDMENT, WEDGE 27 TON LOG SPLITTER	1
38	w27000307	PLATE, HOLD DOWN, WEDGE 27 TON LS	2
39	W27000308	PLATE, SPACER, WEDGE 27 TON LOG SPLITTER	2
40	W27000309	PIN, HYDRAULIC CYLINDER MOUNT	1
41	W27000310	PIN CLEVIS BEAM MOUNT 27 TON LOG SPLITTER	1
42	W27000313	WELDMENT, PULL PIN 27 TON LOG SPLITTER	1
43	W27000314	WELDMENT, PIN, PULL 27 TON LOG SPLITTER	1
44	W27000400	WELDMENT, KICK STAND 27 TON LOG SPLITTER	1
45	W27000500	WELDMENT, FILTER 27 TON SPLITTER	1
46	W27000602	SPRING HOLD DOWN 27 TON LOG SPLITTER	1
47	W27000610	FITTING 1/2" NPT TO HOSE	1
48	W27000613	HOSE CYLINDER 27 TON LOG SPLITTER	1
49	W27000614	HOSE PRESSURE 27 TON LOG SPLITTER	1
50	W27000615	HOSE RETURN 27 TON LOG SPLITTER	1
51	W27000617	SPACER, HYDRAULIC PUMP	1
52	W27001029	PUMP 27 TON LOG SPLITTER	1
53	W27001030	PLUG DRAIN	1
54	W27001031	GAGE SITE 27 TON LOG SPLITTER	1
55	W27001032	BOLT M12 X 1.75 X 35 HHCS	4
56	W27001033	BOLT M12 X 1.75 X 35 HHCS	8
57	W27001034	HOSE SUCTION 27 TON LOG SPLITTER	1
58	WF12	WASHER FLAT 1/2" STANDARD ZINC	24
59	WF38	WASHER FLAT 3/8 STANDARD ZINC	6
60	WF516	WASHER FLAT 5/16" STANDARD ZN	8
61	WL27000700	CYLINDER, HYDRAULIC, TIE ROD 27 TON SPLITTER	1
62	WL27000708	NUT M18 X 1.5 HH GR8.8 ZN	4
63	WL34	WASHER 3/4" SPRING LOCK ZINC	4