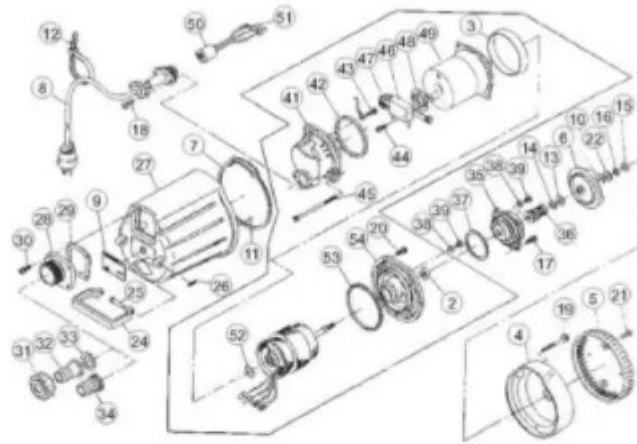


SM-62511 Parts List



REF NO.	PART NO.	DESCRIPTION	QTY.	REF NO.	PART NO.	DESCRIPTION	QTY.
02	893855008	OIL SEAL	1	30	0340223	TAPPING SCREW	4
03	0340241	MOTOR SUPPORT	1	31	0340793	COUPLING	1
04	0340020	CASING*	1	32	0340792	HOSE BARB	1
05	0340043	STRAINER	1	33	0340066	COUPLING GASKET	1
06	0340214	IMPELLER	1	34	0340791	3/4"***** ADAPTER	4
07	0340243	CASING GASKET	1	35	0340187	MECHANICAL BOX	1
08	0340494	POWER CORD	1	36	0340012	MECHANICAL SEAL	1
10	846205006	WASHER (M6) 1pc	1	37	0340209	MECHANICAL GASKET	1
11	0340265	BALL	1	38	0340142	SEAL RING	2
13	14251	ADJUSTING WASHER	2	39	0340153	SCREW (M6 x M8) 1pc	2
14	888705006	STOP RING	1	41	340189	HEAD COVER	1
15	827405006	M6 NUT 1pc	1	42	0340207	HEAD GASKET	1
17	707805046	M5*12 SCREW 1pc	4	43	707819036	M4*8 SCREW 1pc	1
18	703305104	M5*20 SCREW 1pc	2	44	707819018	SCREW M3 x 6	2
19	0340597	M5*62 SCREW 1pc	3	45	340366	SCREW M5 x 100	4
20	0340143	SCREW 1pc	6	46	0340218	CONDENSER	1
21	718505054	TAPPING SCREW	2	47	0340227	CABLE TIE	1
22	0340329	IMPELLER COLLAR	1	48	340217	BEARING PLATE	1
24	0340160	HANDLE	1	49	340190	MOTOR FRAME	1
25	340162	RIVET	2	50	0340341	CONNECTOR	1
26	0340114	SNAP PIN	2	51	944800001	TERMINAL	1
27	0340198	PUMP CASING	1	52	845205006	WAVE WASHER 1pc	1
28	0340193	DELIVERY FLANGE	1	53	0340205	FRAME GASKET	1
29	0340040	DEL FLANGE GASKET	1	54	0340188	FRONT BRACKET	1