



HYDRAULIC POWER UNIT
PARTS LIST & OPERATOR'S
MANUAL

MODEL
CB35BV-XL

January 2020

Part #1801368

Proposition 65
State of California

Warning !

Engine exhaust and some its constituents are known to the State of California to cause cancer, birth defects, and/or other reproductive harm.

Notification of Spark Arrester Requirement for
State of California

It is a violation of Section 4442 or 4443 to use or operate the engine on any forest-covered, brush-covered, or grass-covered land unless the engine is equipped with a spark arrester, as defined in Section 4442, maintained in effective working order or the engine is constructed, equipped, and maintained for the prevention of fire pursuant to Section 4443.

Table of Contents

<u>Description</u>	<u>Page No.</u>
CB35BV-XL Hydraulic Power Supply.....	4
Electrical Schematic.....	11
Hydraulic Schematic	12
Hose Kit.....	13
Hydraulic Tank Assembly	14
Control Panel Assembly	16
Fuel Tank Assembly	17
Fuel Solenoid with Connector	18
Fuel Solenoid Fuel Line	19
Tool Tray Option.....	21
Air to Cooler Option	22
Component Locations.....	24
Safety Precautions	25
Descriptions and Specifications	27
Operating Instructions	28
Operating Driven Equipment.....	29
Maintenance Instructions	30
Troubleshooting	30
Flow & Pressure Ratings, CB Power Packs	31
Warranty Page	32

QUICK REFERENCE ENGINE FILTERS

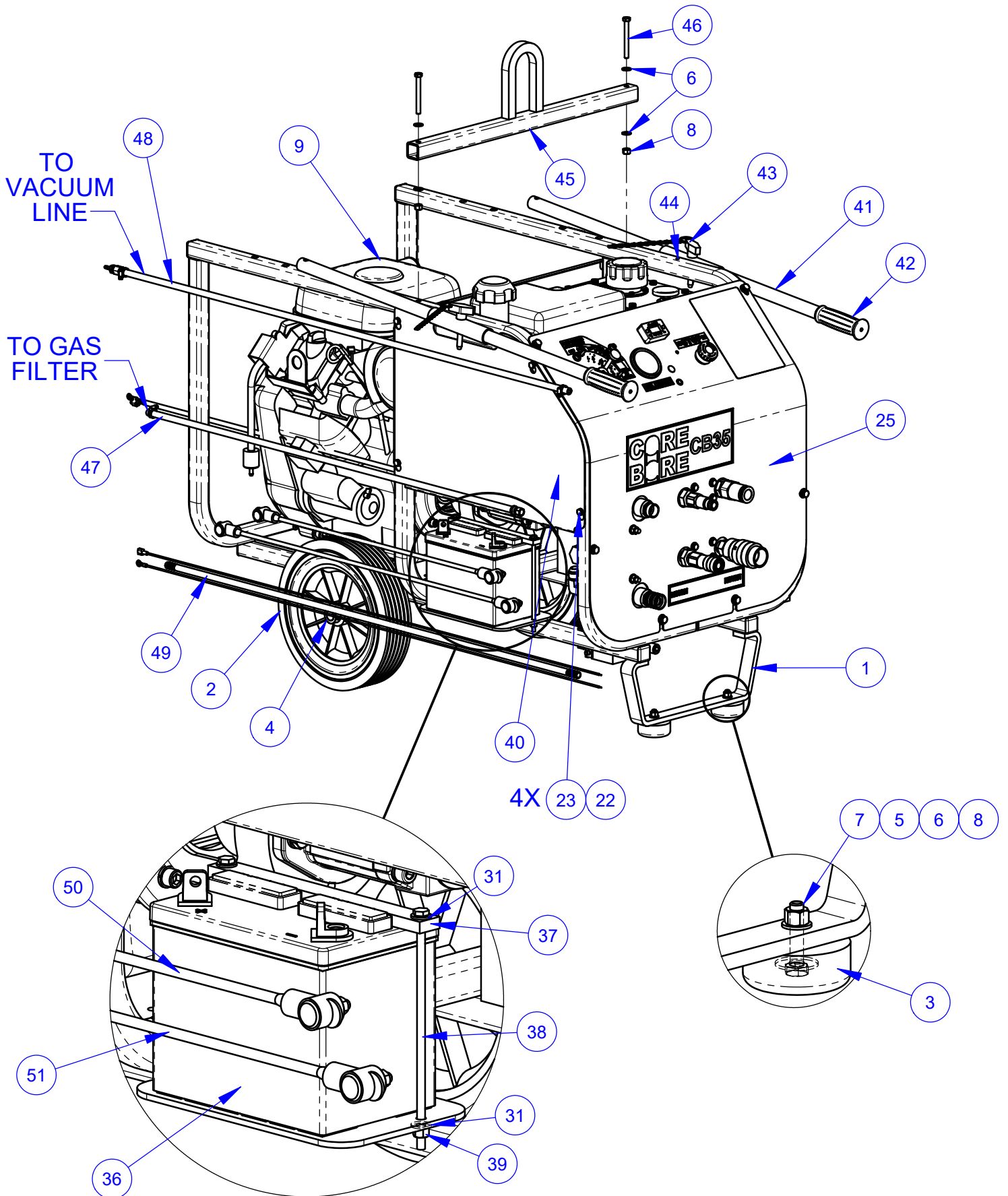
AIR, 2708178 (BRIGGS 692519)

AIR PRE-CLEANER, 2703213 (BRIGGS 692520)

FUEL, 2705096 (BRIGGS 691035)

OIL, 2705507 (BRIGGS 842921)

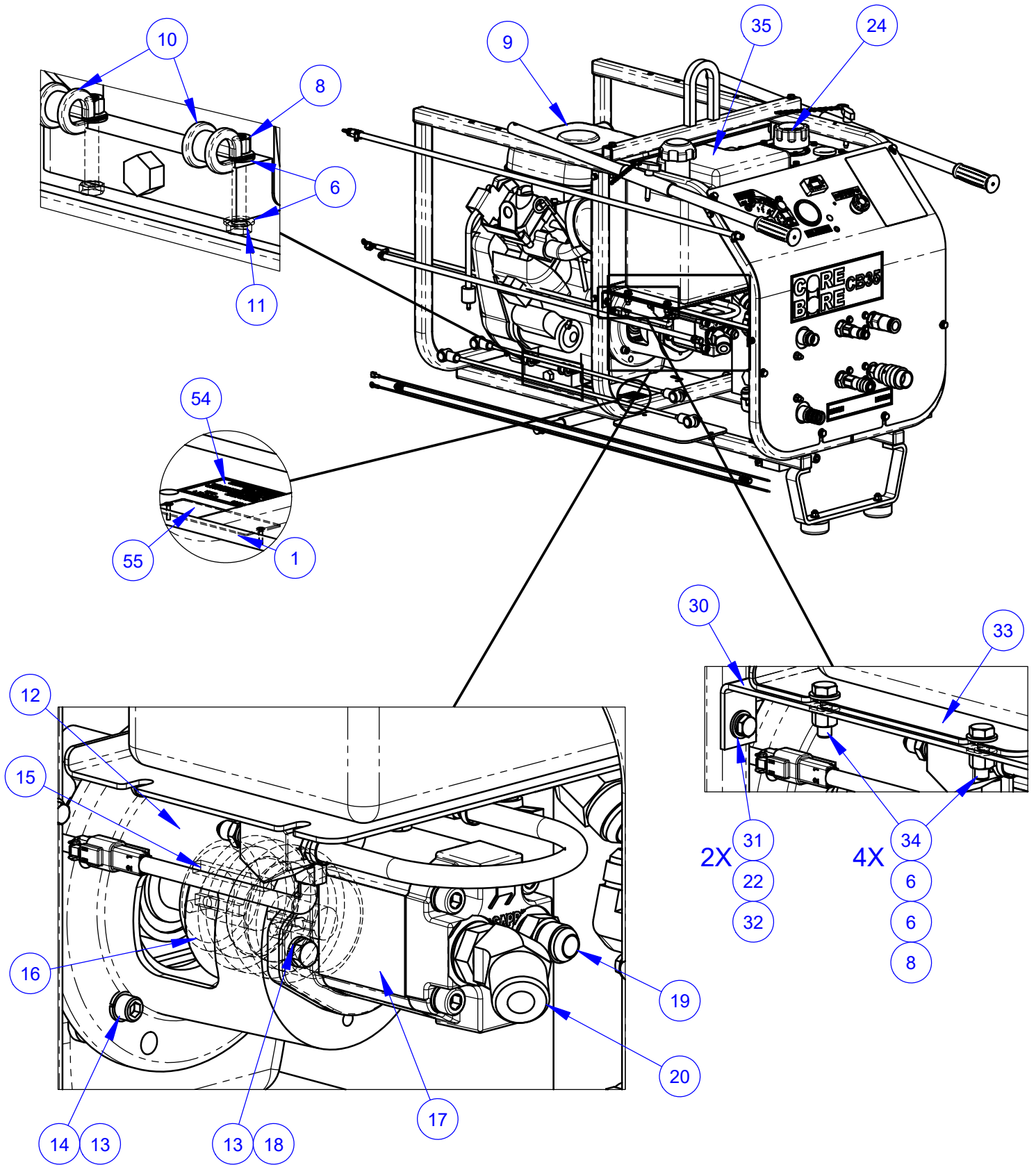
4646200 CB35XL HYDRAULIC POWER SUPPLY



4646200 CB35XL HYDRAULIC POWER SUPPLY

ITEM	PART NO.	QTY.	DESCRIPTION
1	4646156	1	CB-XL Frame Assembly
2	2400643	2	Wheel, 12 x 2-5/8 x 3/4"
3	2501767	2	Rubber Bumper
4	2400615	2	Set Collar, 3/4"
5	2901103	2	Fender Washer, 5/16" x 1"
6	2900022	24	Flat Washer, 5/16" SAE
7	2900508	2	Cap Screw, Hex Hd., 5/16-18 x 1-1/2"
8	2900039	12	Lock Nut, 5/16-18 Nylon
9	4640122	1	Vanguard 35HP W/ Elec. Connector
10	2501434	2	Hose Clamp, 5/8" x 3/4" Wide
11	2900494	4	Cap Screw, Hex Hd., 5/16-18 x 2"
12	4646010	1	Pump Mount, SAE 2 Bolt
13	2900006	6	Lock Washer, 3/8" Split
14	2900724	4	Cap Screw, Soc. Hd., 3/8-16 x 1-1/4"
15	6048134	1	Key, 1/4" Sq. x 2-1/4"
16	2400639	1	Flex Coupling, 3/4 - 1-1/8"
17	2600569	1	Pump, 1.0 CI, 2 Bolt SAE
18	2900005	2	Cap Screw, Hex Hd., 3/8-16 x 1"
19	3202079	2	5/8" O-Ring - 5/8" MJIC
20	3201881	1	1" MJIC - 3/4" MOR, 45 Deg.
21	4646011	1	Heat Shield
22	2900024	10	Lock Washer, 1/4" Split
23	2900144	8	Cap Screw, Hex Hd., 1/4-20 x 3/4"
24	4646173	1	Hydraulic Tank Assembly
25	4646207	1	Panel Assembly, CB35
26	3202318	1	Valve, Relief, 5KSI
27	3202061	1	Fitting, 5/8" MORB x 5/8" MJIC x 90 DEG
28	2900031	2	Lock Washer, 5/16" Split
29	2900726	2	Cap Screw, Hex Hd., 5/16-18 x 2-1/2"
30	4646035	1	Fuel Tank Support
31	2900009	6	Flat Washer, 1/4" SAE
32	2900008	2	Cap Screw, Hex Hd., 1/4-20 x 1"
33	4641099	1	Gas Tank Mounting Plate
34	2900138	4	Cap Screw, Hex Hd., 5/16-18 x 1"
35	4600229	1	Fuel Tank Assembly
36	2500584	1	Battery, 12 Volt Group Size U1
37	4646122	1	BatterySupport
38	2901405	2	Cap Screw, Hex Hd., 1/4-20 x 7-1/2"
39	2900010	2	Lock Nut, 1/4-20 Nylon
40	4646049	1	Side Panel
41	4646006	2	Handle
42	2500636	2	Handle Grip
43	2900257	2	Lock Pin, T Handle, 3/8"
44	2900053	4	Rivet, 3/32" Dia.
45	4646003	1	Lifting Bar
46	2900248	2	Cap Screw, Hex Hd., 5/16-18 x 3"
47	4600160	1	Hose Assy., Gas, 1/4 x 40-3/4"
48	4600168	1	Hose Assy., 1/4 - 3/16 Barb, 50.75"
49	4643022	1	Wire Assy., Emergency Off, 50-1/2"
50	4646015	1	Battery Cable Assy., Red
51	4646016	1	Battery Cable Assy., Black
52	4646209	1	Hose Kit, CB35, CB40
53	1800537	1	Label, HOT
54	1801716	1	Decal, EPA EVAP Standard
55	1800169	1	Serial Number Plate, US
56	4646236	1	Oil Drain Hose Assembly

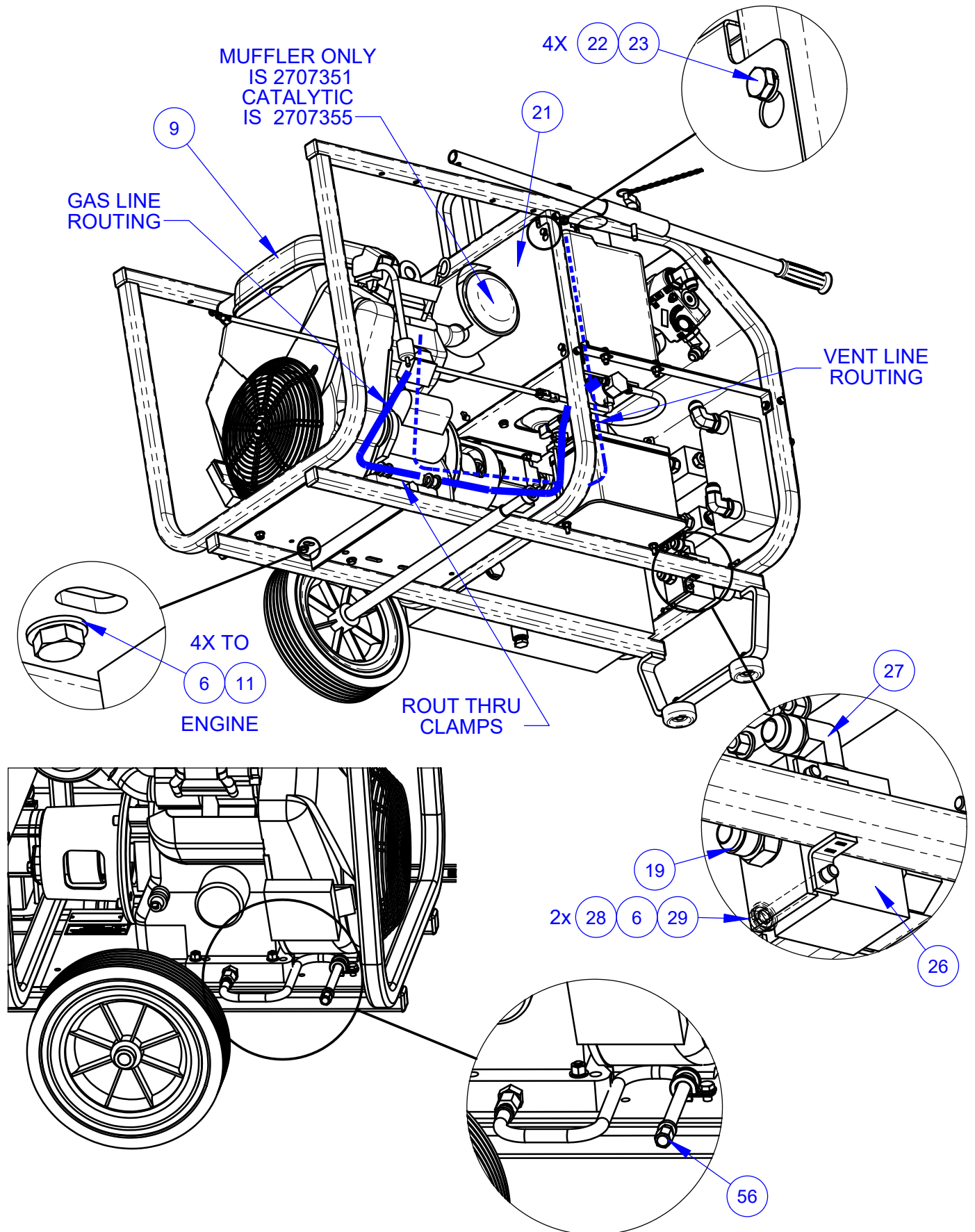
4646200 CB35XL HYDRAULIC POWER SUPPLY



4646200 CB35XL HYDRAULIC POWER SUPPLY

ITEM	PART NO.	QTY.	DESCRIPTION
1	4646156	1	CB-XL Frame Assembly
2	2400643	2	Wheel, 12 x 2-5/8 x 3/4"
3	2501767	2	Rubber Bumper
4	2400615	2	Set Collar, 3/4"
5	2901103	2	Fender Washer, 5/16" x 1"
6	2900022	24	Flat Washer, 5/16" SAE
7	2900508	2	Cap Screw, Hex Hd., 5/16-18 x 1-1/2"
8	2900039	12	Lock Nut, 5/16-18 Nylon
9	4640122	1	Vanguard 35HP W/ Elec. Connector
10	2501434	2	Hose Clamp, 5/8" x 3/4" Wide
11	2900494	4	Cap Screw, Hex Hd., 5/16-18 x 2"
12	4646010	1	Pump Mount, SAE 2 Bolt
13	2900006	6	Lock Washer, 3/8" Split
14	2900724	4	Cap Screw, Soc. Hd., 3/8-16 x 1-1/4"
15	6048134	1	Key, 1/4" Sq. x 2-1/4"
16	2400639	1	Flex Coupling, 3/4 - 1-1/8"
17	2600569	1	Pump, 1.0 CI, 2 Bolt SAE
18	2900005	2	Cap Screw, Hex Hd., 3/8-16 x 1"
19	3202079	2	5/8" O-Ring - 5/8" MJIC
20	3201881	1	1" MJIC - 3/4" MOR, 45 Deg.
21	4646011	1	Heat Shield
22	2900024	10	Lock Washer, 1/4" Split
23	2900144	8	Cap Screw, Hex Hd., 1/4-20 x 3/4"
24	4646173	1	Hydraulic Tank Assembly
25	4646207	1	Panel Assembly, CB35
26	3202318	1	Valve, Relief, 5KSI
27	3202061	1	Fitting, 5/8" MORB x 5/8" MJIC x 90 DEG
28	2900031	2	Lock Washer, 5/16" Split
29	2900726	2	Cap Screw, Hex Hd., 5/16-18 x 2-1/2"
30	4646035	1	Fuel Tank Support
31	2900009	6	Flat Washer, 1/4" SAE
32	2900008	2	Cap Screw, Hex Hd., 1/4-20 x 1"
33	4641099	1	Gas Tank Mounting Plate
34	2900138	4	Cap Screw, Hex Hd., 5/16-18 x 1"
35	4600229	1	Fuel Tank Assembly
36	2500584	1	Battery, 12 Volt Group Size U1
37	4646122	1	BatterySupport
38	2901405	2	Cap Screw, Hex Hd., 1/4-20 x 7-1/2"
39	2900010	2	Lock Nut, 1/4-20 Nylon
40	4646049	1	Side Panel
41	4646006	2	Handle
42	2500636	2	Handle Grip
43	2900257	2	Lock Pin, T Handle, 3/8"
44	2900053	4	Rivet, 3/32" Dia.
45	4646003	1	Lifting Bar
46	2900248	2	Cap Screw, Hex Hd., 5/16-18 x 3"
47	4600160	1	Hose Assy., Gas, 1/4 x 40-3/4"
48	4600168	1	Hose Assy., 1/4 - 3/16 Barb, 50.75"
49	4643022	1	Wire Assy., Emergency Off, 50-1/2"
50	4646015	1	Battery Cable Assy., Red
51	4646016	1	Battery Cable Assy., Black
52	4646209	1	Hose Kit, CB35, CB40
53	1800537	1	Label, HOT
54	1801716	1	Decal, EPA EVAP Standard
55	1800169	1	Serial Number Plate, US
56	4646236	1	Oil Drain Hose Assembly

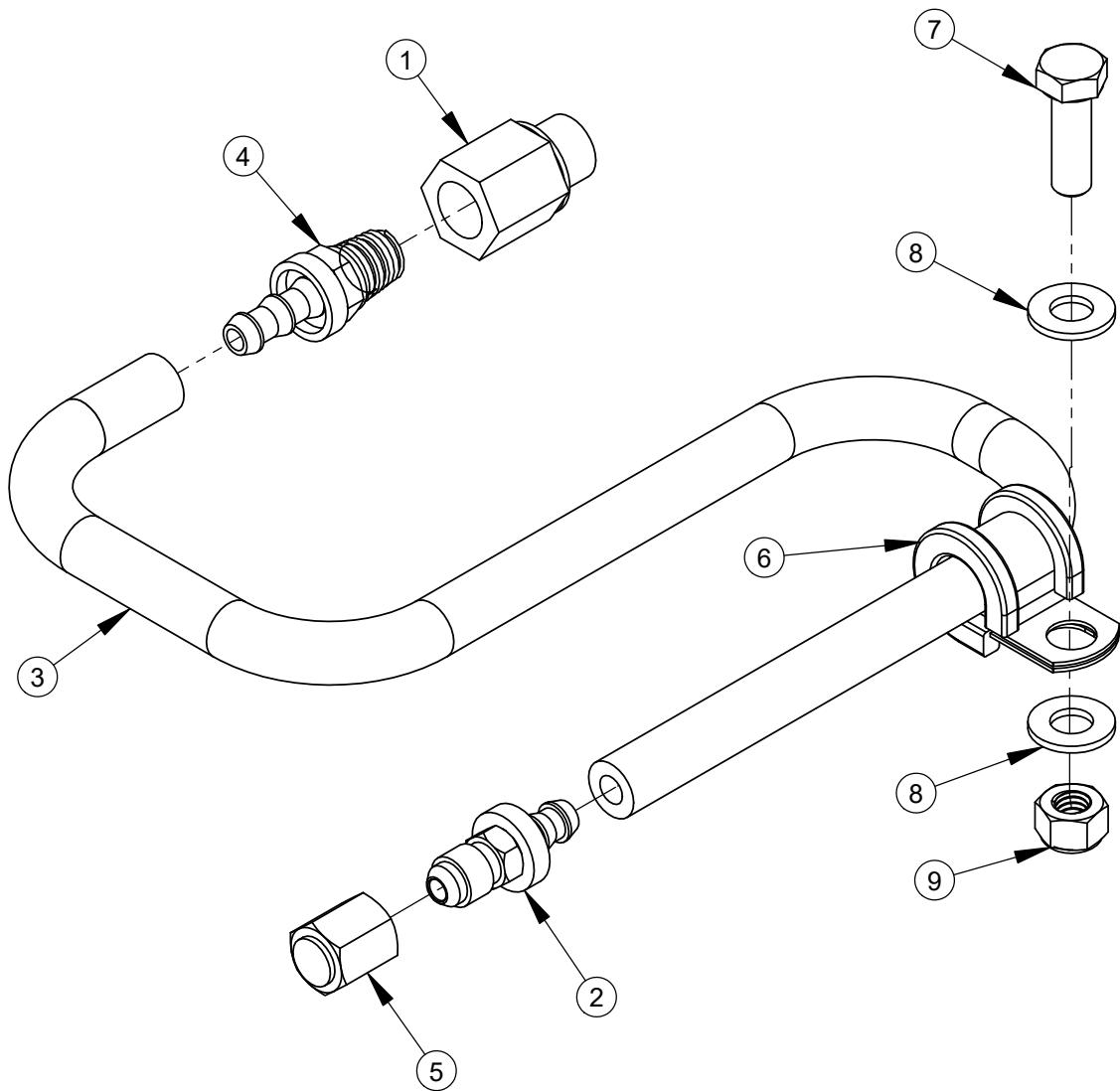
4646200 CB35XL HYDRAULIC POWER SUPPLY



4646200 CB35XL HYDRAULIC POWER SUPPLY

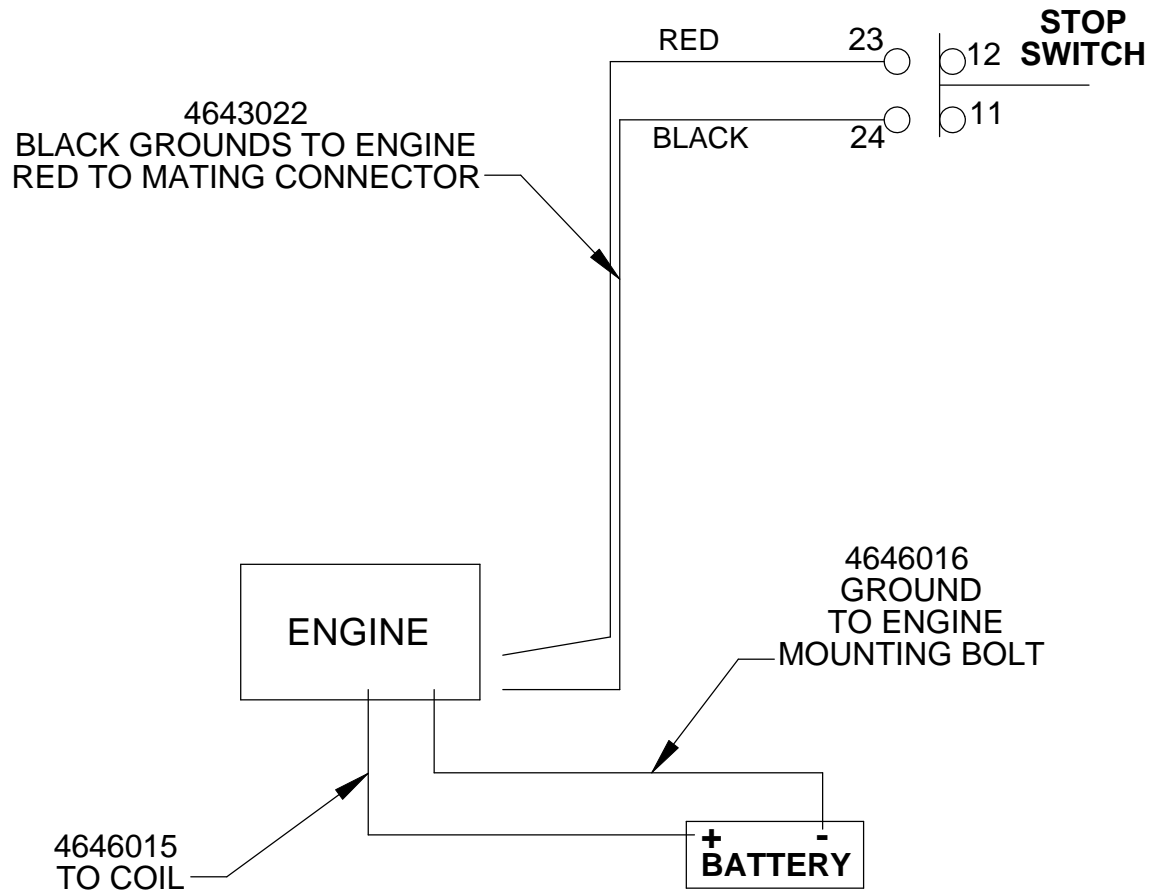
ITEM	PART NO.	QTY.	DESCRIPTION
1	4646156	1	CB-XL Frame Assembly
2	2400643	2	Wheel, 12 x 2-5/8 x 3/4"
3	2501767	2	Rubber Bumper
4	2400615	2	Set Collar, 3/4"
5	2901103	2	Fender Washer, 5/16" x 1"
6	2900022	24	Flat Washer, 5/16" SAE
7	2900508	2	Cap Screw, Hex Hd., 5/16-18 x 1-1/2"
8	2900039	12	Lock Nut, 5/16-18 Nylon
9	4640122	1	Vanguard 35HP W/ Elec. Connector
10	2501434	2	Hose Clamp, 5/8" x 3/4" Wide
11	2900494	4	Cap Screw, Hex Hd., 5/16-18 x 2"
12	4646010	1	Pump Mount, SAE 2 Bolt
13	2900006	6	Lock Washer, 3/8" Split
14	2900724	4	Cap Screw, Soc. Hd., 3/8-16 x 1-1/4"
15	6048134	1	Key, 1/4" Sq. x 2-1/4"
16	2400639	1	Flex Coupling, 3/4 - 1-1/8"
17	2600569	1	Pump, 1.0 CI, 2 Bolt SAE
18	2900005	2	Cap Screw, Hex Hd., 3/8-16 x 1"
19	3202079	2	5/8" O-Ring - 5/8" MJIC
20	3201881	1	1" MJIC - 3/4" MOR, 45 Deg.
21	4646011	1	Heat Shield
22	2900024	10	Lock Washer, 1/4" Split
23	2900144	8	Cap Screw, Hex Hd., 1/4-20 x 3/4"
24	4646173	1	Hydraulic Tank Assembly
25	4646207	1	Panel Assembly, CB35
26	3202318	1	Valve, Relief, 5KSI
27	3202061	1	Fitting, 5/8" MORB x 5/8" MJIC x 90 DEG
28	2900031	2	Lock Washer, 5/16" Split
29	2900726	2	Cap Screw, Hex Hd., 5/16-18 x 2-1/2"
30	4646035	1	Fuel Tank Support
31	2900009	6	Flat Washer, 1/4" SAE
32	2900008	2	Cap Screw, Hex Hd., 1/4-20 x 1"
33	4641099	1	Gas Tank Mounting Plate
34	2900138	4	Cap Screw, Hex Hd., 5/16-18 x 1"
35	4600229	1	Fuel Tank Assembly
36	2500584	1	Battery, 12 Volt Group Size U1
37	4646122	1	BatterySupport
38	2901405	2	Cap Screw, Hex Hd., 1/4-20 x 7-1/2"
39	2900010	2	Lock Nut, 1/4-20 Nylon
40	4646049	1	Side Panel
41	4646006	2	Handle
42	2500636	2	Handle Grip
43	2900257	2	Lock Pin, T Handle, 3/8"
44	2900053	4	Rivet, 3/32" Dia.
45	4646003	1	Lifting Bar
46	2900248	2	Cap Screw, Hex Hd., 5/16-18 x 3"
47	4600160	1	Hose Assy., Gas, 1/4 x 40-3/4"
48	4600168	1	Hose Assy., 1/4 - 3/16 Barb, 50.75"
49	4643022	1	Wire Assy., Emergency Off, 50-1/2"
50	4646015	1	Battery Cable Assy., Red
51	4646016	1	Battery Cable Assy., Black
52	4646209	1	Hose Kit, CB35, CB40
53	1800537	1	Label, HOT
54	1801716	1	Decal, EPA EVAP Standard
55	1800169	1	Serial Number Plate, US
56	4646236	1	Oil Drain Hose Assembly

Oil Drain Hose Assembly #4646236



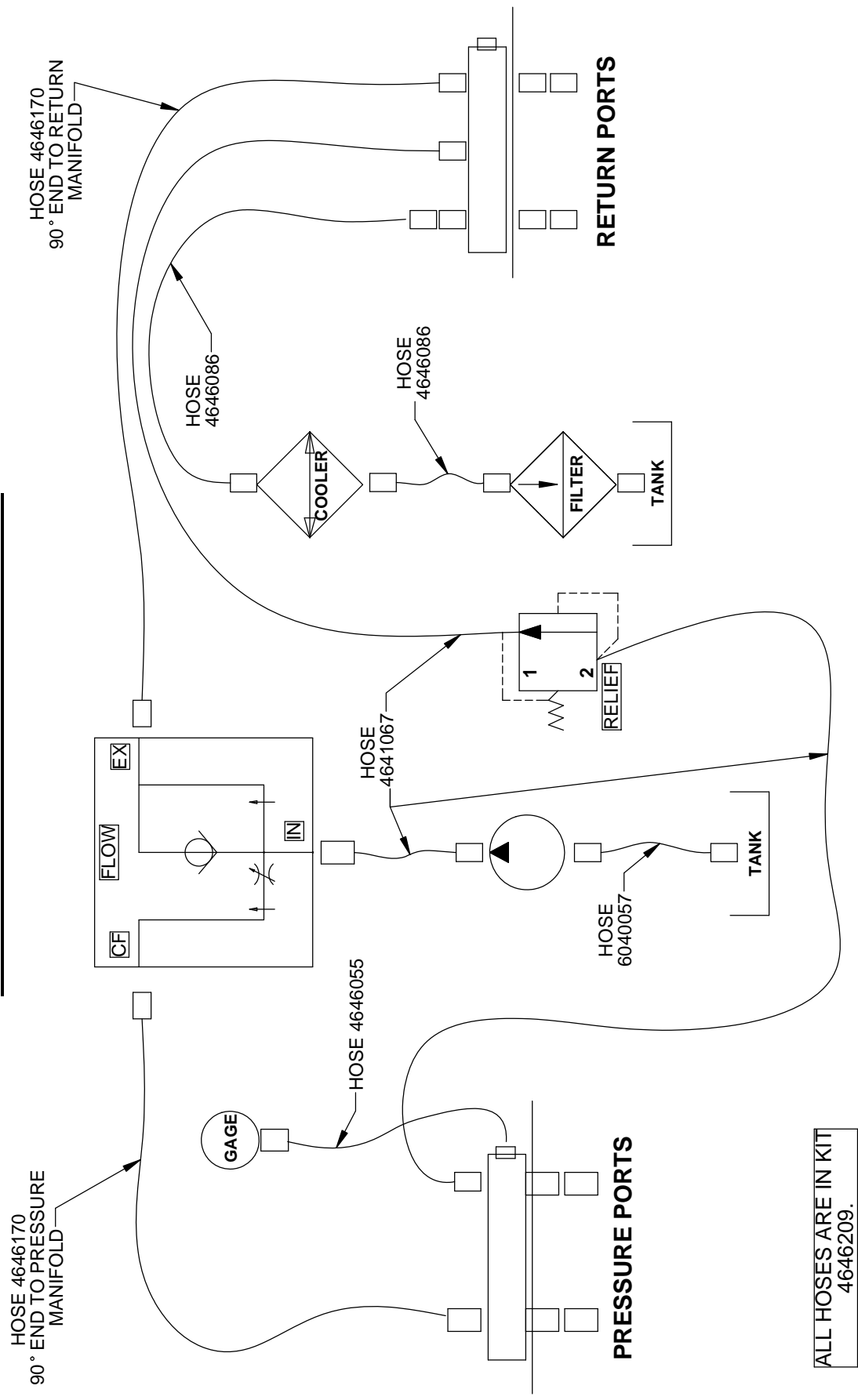
ITEM	PART NO.	QTY.	DESCRIPTION
1	3201269	1	Adapter, M14x1.5 M. to 1/4" F. Pipe
2	3200040	1	Fitting, 1/4" M. JIC to 1/4" Push Lock
3	4646123	1	Hose, 1/4" I.D. x 18"
4	3201270	1	Fitting, 1/4" M. Pipe to 1/4" Push Lock
5	3200006	1	Cap, 1/4" JIC
6	2501434	1	Hose Clamp, 5/8" x 3/4" Wide
7	2900138	1	Cap Screw, Hex Hd., 5/16-18 x 1"
8	2900022	2	Flat Washer, 5/16" SAE
9	2900039	1	5/16"-18 Nylock Hex Nut

4646200 CB35XL ELECTRIC SCHEMATIC



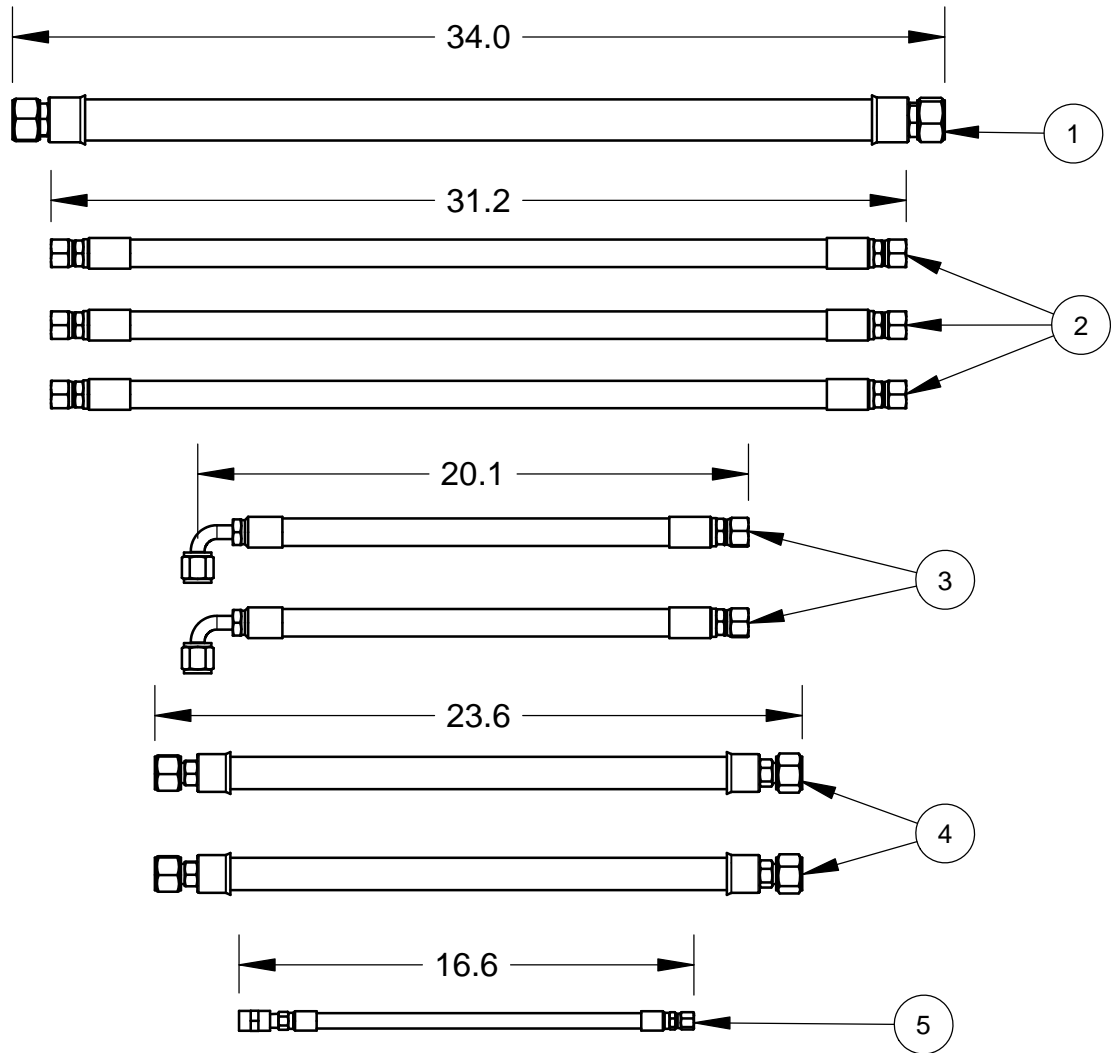
FOR EASE OF ASSEMBLY, ATTACH WIRES TO STOP SWITCH
BEFORE INSTALLING IN PANEL.

4646200 CB35XL HYDRAULIC SCHEMATIC



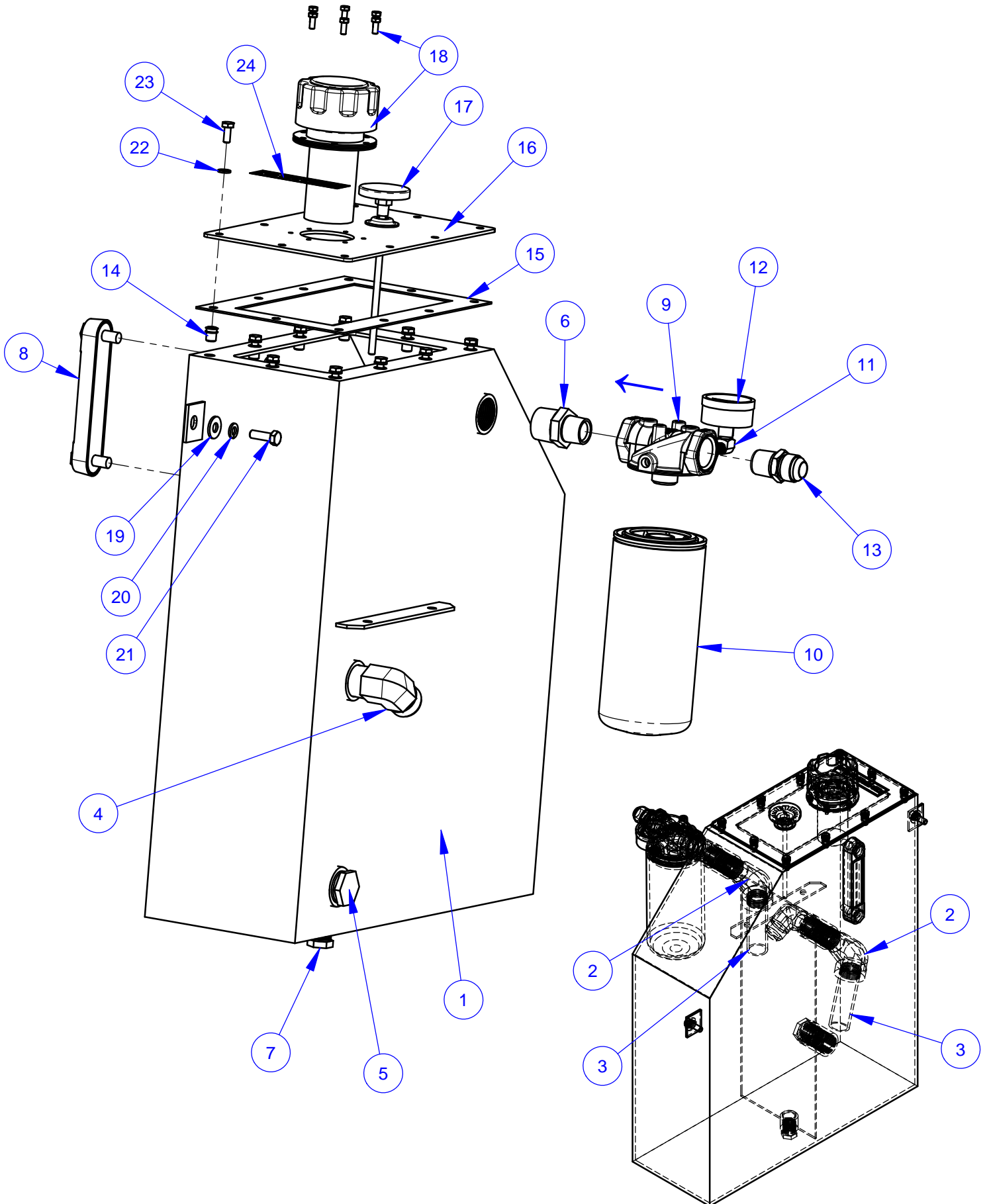
ALL HOSES ARE IN KIT
4646209.

4646209 HOSE KIT, CB35

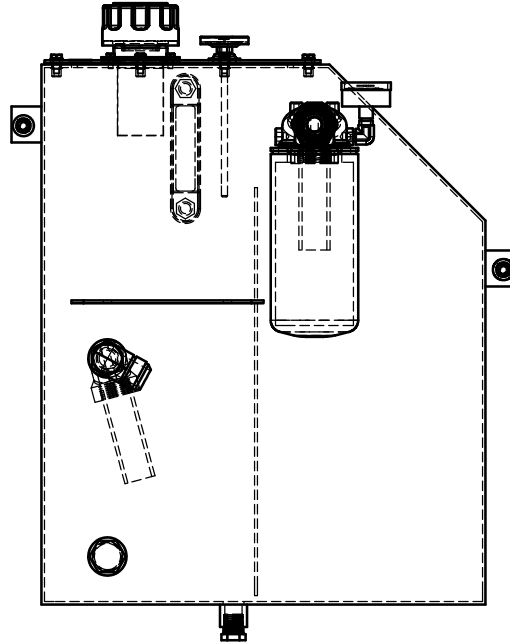


ITEM	PART NO.	QTY.	DESCRIPTION
1	6040057	1	Hose Assy., 1 x 34"
	3202317	2	Fitting, 1" FJIC to 1" Hose Barb
	3205619	2	Crimp Shell, #16
2	4641067	3	Hose Assy., 5/8" x 31-1/4"
	3202075	2	5/8"FJICS x 5/8" Parkrimp Hose End Fitting
3	4646170	2	Hose Assy., 5/8" x 20"
	3201883	1	5/8" FJIC Parkrimp, 90 Deg.
	3202075	1	5/8"FJICS x 5/8" Parkrimp Hose End Fitting
4	4646086	2	Hose Assembly, 3/4" x 23.6"
	3201989	2	Fitting, 3/4" F.JIC to 3/4" Hose Barb
	3202708	2	Crimp Shell, #12
5	4646055	1	Hose Assembly, 1/4" x 16.6"
	3200128	1	Fitting, 1/4" F. JIC to 1/4" Hose Crimp
	3200145	1	1/4 MPT - 1/4 Hose Crimp
	3201110	1	Coupling, 1/4" NPT

4646173 HYDRAULIC TANK ASSEMBLY

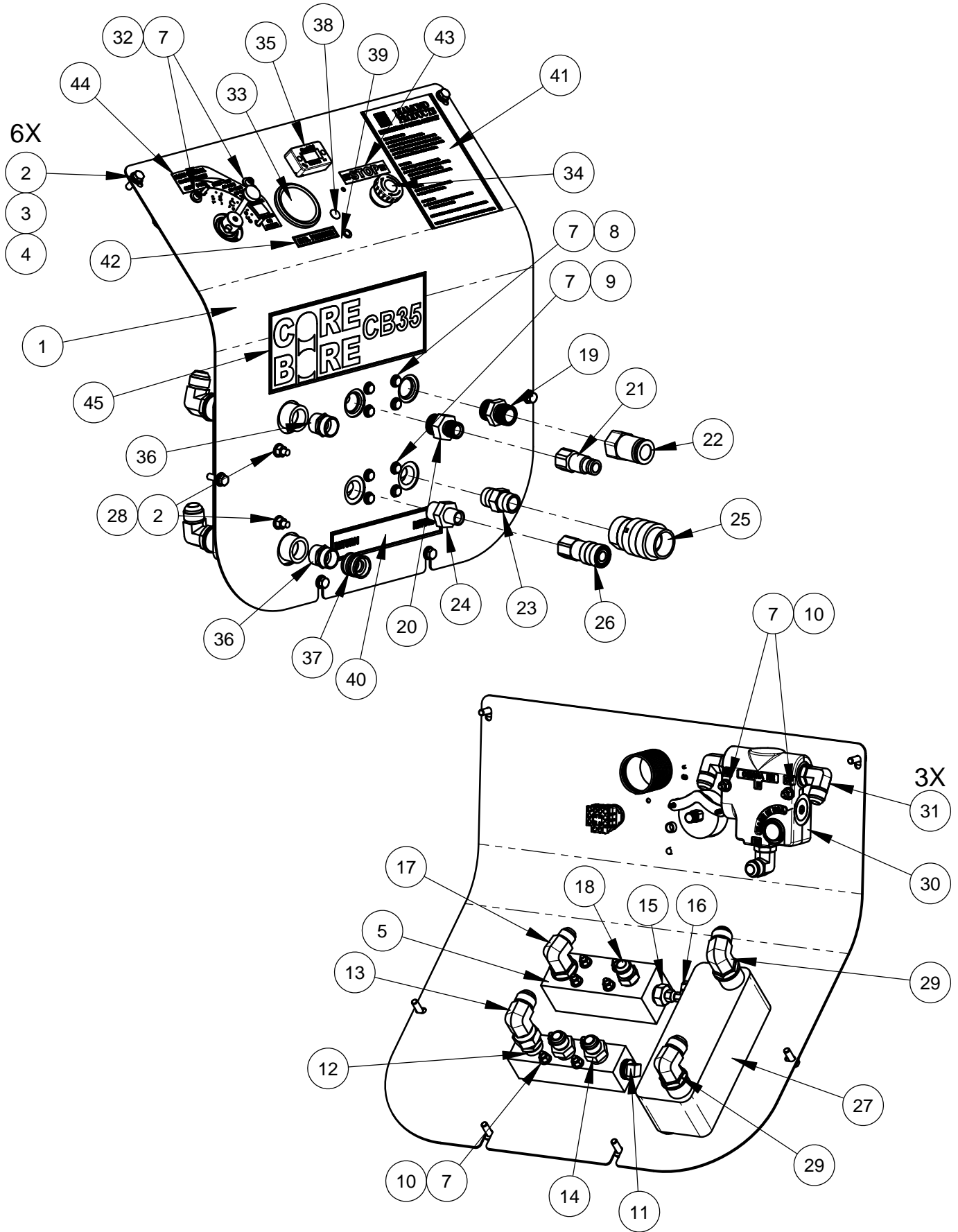


4646173 HYDRAULIC TANK ASSEMBLY



ITEM	PART NO.	QTY.	DESCRIPTION
1	4640120	1	Hydraulic Tank Weldment
2	3200409	2	Street Elbow, 1" NPT
3	3200427	2	Nipple, 1" NPT x 4", Schedule 40
4	3200289	1	Elbow, 1" M. Pipe to 1" M. JIC
5	3200288	1	Plug, 1" NPT
6	3200431	1	Nipple, 1"MPT - 3/4" MPT
7	3200160	1	Plug, 1/2-14 NPT
8	2400166	1	Sight Gauge, Liquid Level
9	2703290	1	Filter Head, 3/4" NPT
10	3201175	1	Hydraulic Filter Element
11	3200156	1	Street Elbow, 1/8" NPT
12	3200502	1	Gauge, Hydraulic Pressure
13	3200097	1	Adapter, 3/4" M. JIC to 3/4" M. Pipe
14	2900441	10	Rivet Nut, 1/4-20 Round
15	4646083	1	Gasket, Hyd Tank
16	4640121	1	Cover, Hydraulic Tank
17	2800459	1	Thermometer, 2", 0 - 200 F
18	2401305	1	Filler/Breather Cap (Top Mount)
	2900339	6	Cap Screw, Hex Hd., M5 x 12mm
19	2900567	2	Flat Washer, 5/16" USS
20	2900031	2	Lock Washer, 5/16" Split
21	2900138	2	Cap Screw, Hex Hd., 5/16-18 x 1"
22	2900024	10	Lock Washer, 1/4" Split
23	2900023	10	Cap Screw, Hex Hd., 1/4-20 x 5/8"
24	1800535	1	Decal, "Hydraulic Fluid Only"

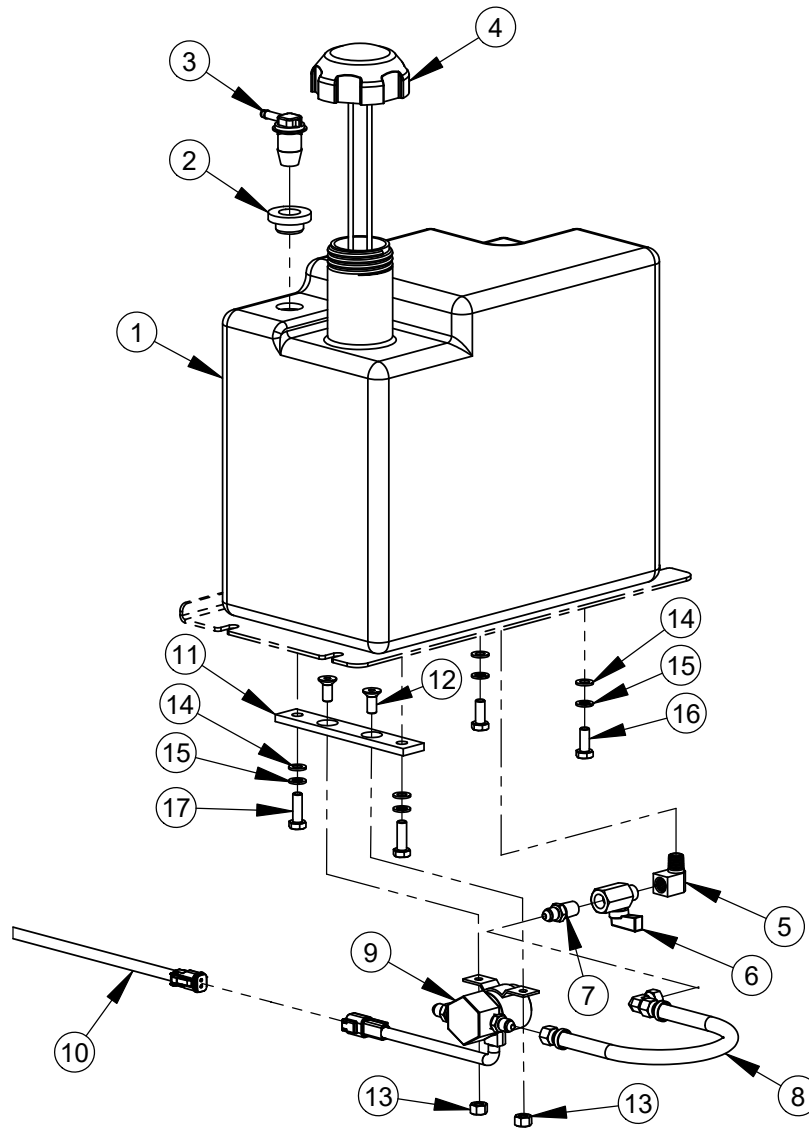
4646207 CB35XL PANEL ASSEMBLY



4646207 CB35XL PANEL ASSEMBLY

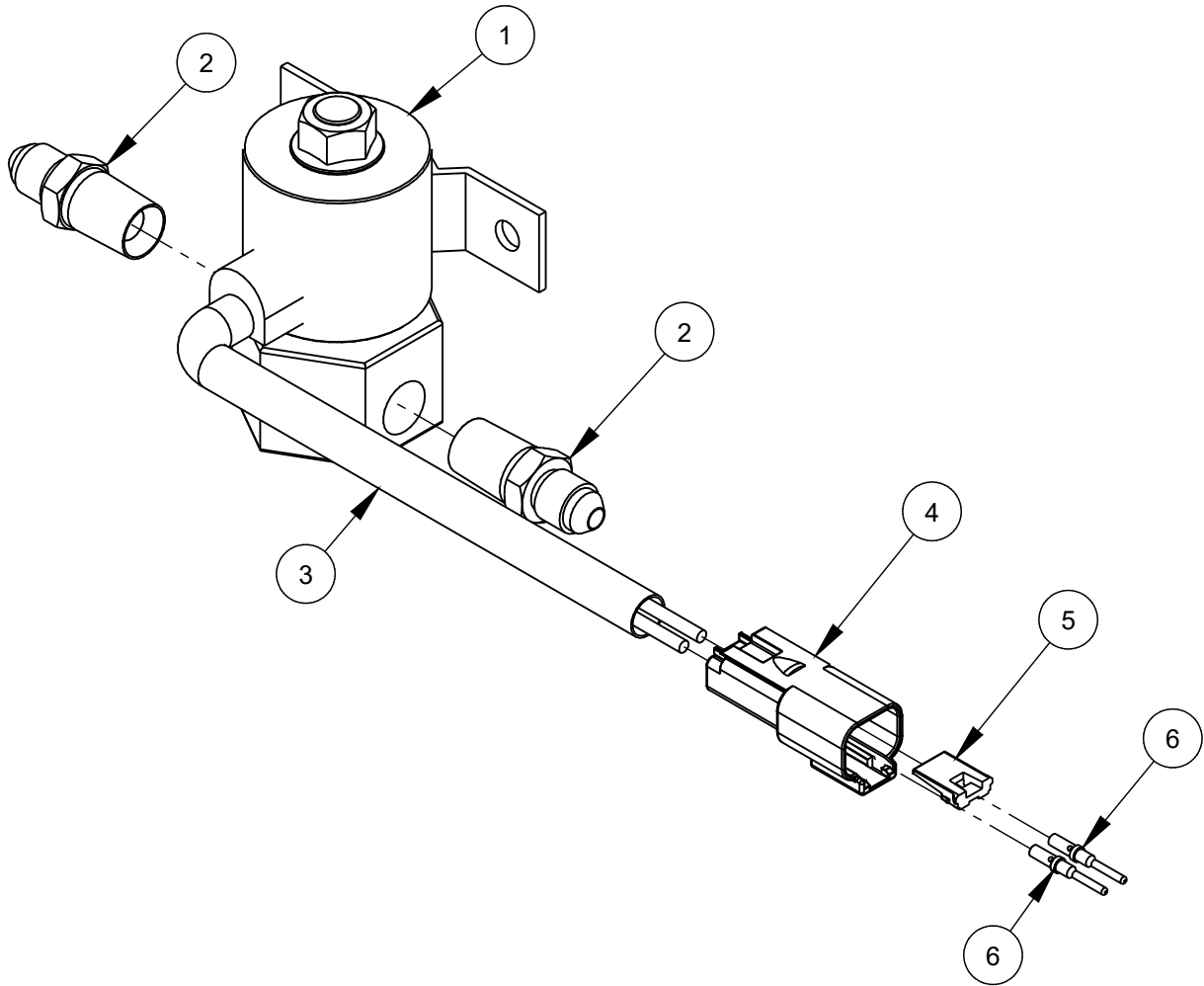
ITEM	PART NO.	QTY.	DESCRIPTION
1	4646141	1	Instrument Panel
2	2900022	8	Flat Washer, 5/16" SAE
3	2900031	6	Lock Washer, 5/16" Split
4	2900138	6	Cap Screw, Hex Hd., 5/16-18 x 1"
5	4645054	1	Manifold, SAE O-Ring, 5/8 & 3/4" Ports
6	4646101	1	Manifold, 3/4 NPT
7	2900009	20	Flat Washer, 1/4" SAE
8	2900667	4	Cap Screw, Hex Hd., 1/4-20 x 3"
9	2901001	4	Cap Screw, Hex Hd., 1/4-20 x 2-1/2"
10	2900010	10	Lock Nut, 1/4-20 Nylon
11	3200479	1	Plug, 3/4" NPT Square Head
12	3200097	1	Adapter, 3/4" M. JIC to 3/4" M. Pipe
13	3200417	1	Elbow, 3/4" F. JIC to 3/4" M. JIC
14	3200082	2	5/8" MJIC TO 3/4" MPT
15	3200626	1	Adapter, 5/8" O-Ring to 1/4" M. JIC
16	3201241	1	Elbow, 1/4" M. JIC to 1/4" F. JIC
17	3202077	1	5/8 MJIC - 3/4" MOR, 90 Deg.
18	3202079	1	5/8" O-Ring - 5/8" MJIC
19	3200330	1	Adapter, 3/4" M. Pipe to 3/4" O-Ring
20	3201899	1	Adapter, 1/2" MPT to 3/4" O-Ring
21	3200105	1	Nipple, 1/2" Q.D.
22	3200101	1	Nipple, 3/4" Quick Disconnect
23	3200137	1	Hex Nipple, 3/4" NPT
24	3200383	1	Nipple, Hex, 3/4" MPT TO 1/2" MPT
25	3200100	1	Coupler, 3/4" Quick Disconnect
26	3200104	1	Coupler, 1/2" Q.D.
27	2400307	1	Heat Exchanger
28	2900303	2	Lock Nut, M8-1.25 Nylon Insert
29	3200400	2	Elbow, 3/4" O-Ring to 3/4" Male JIC
30	3202083	1	Valve, Flow Control, 16 GPM
31	3202061	3	Fitting, 5/8" MORB x 5/8" MJIC x 90 DEG
32	2900245	2	Cap Screw, Soc. Hd., 1/4-20 x 2-5/8"
33	3202413	1	Gauge, Hydraulic, 4000 PSI
34	2801367	1	E-Stop Switch
35	2801502	1	Tach/Hour Meter, W/#6 Screws
36	3201659	2	Fitting, 3/4" M. Pipe to 3/4" M. Garden
37	3200177	1	Fitting, 3/4" F. Garden Union Swivel
38	2500204	1	Plug, 1/2" Hole
39	2503749	1	Plug, 5/16" Hole (Tapered)
40	1800536	1	"Return" Decal
41	1800941	1	Decal, Hydraulic Power Supply
42	1800531	1	"Hyd. Pressure" Decal
43	1801907	1	Decal, Stop
44	1801852	1	Decal, CB35 Flow Control
45	1801366	1	Decal, Core Bore CB35

Fuel Tank Assembly, #4600229



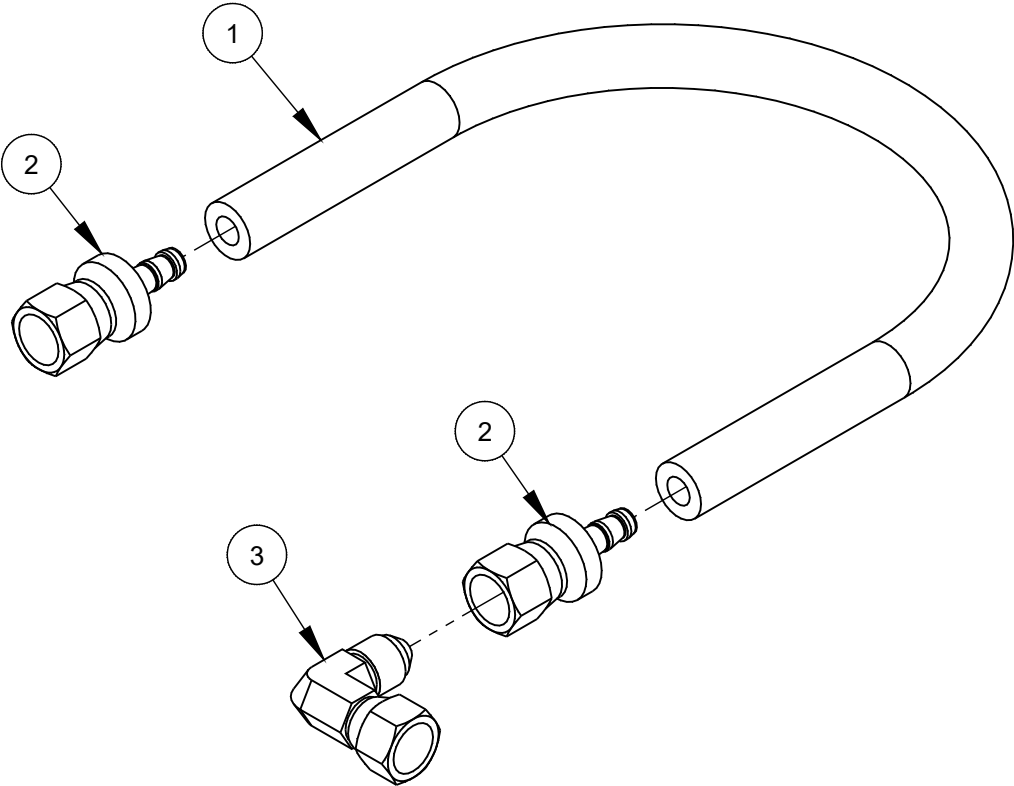
ITEM	PART NO.	QTY.	DESCRIPTION
1	6010869	1	Fuel Tank, 4.4 Gallon
2	2506716	1	Grommet
3	2502484	1	Roll Over Vent, 1/4" Hose Barb
4	2503294	1	Fuel Tank Cap, W/Gage
5	3200012	1	Street Elbow, 1/4" NPT
6	3200108	1	Ball Valve, 1/4" NPT
7	3200418	1	Adapter, 1/4" M. Pipe to 1/4" M. JIC
8	4646234	1	Fuel Solenoid Fuel Line
9	4646232	1	Fuel Solenoid w/ Connector
10	4646233	1	Fuel Solenoid Harness
11	4646231	1	Fuel Solenoid mounting bracket.
12	2900611	2	Cap Screw, Flat Hd., M8-1.25 x 20mm
13	2900303	2	Lock Nut, M8-1.25 Nylon Insert
14	2901336	4	M8 Washer
15	2900763	4	Lock Washer, M8 Split
16	2900329	2	Capscrew, Hex Hd., M8 x 1.25 x 20mm
17	2900360	2	Cap Screw, Hex Hd., M8-1.25 x 25mm

Fuel Solenoid with Connector, #4646232



ITEM	PART NO.	QTY.	DESCRIPTION
1	2802570	1	Fuel Solenoid Valve
2	3200418	2	Adapter, 1/4" M. Pipe to 1/4" M. JIC
3	2801486	1	Split Loom, 3/8" OD
4	2808060	1	Deutsch Receptacle 2 Way
5	2801057	1	Wedge, Receptacle 2 Way
6	2704667	2	Pin Terminal 16-20 AWG

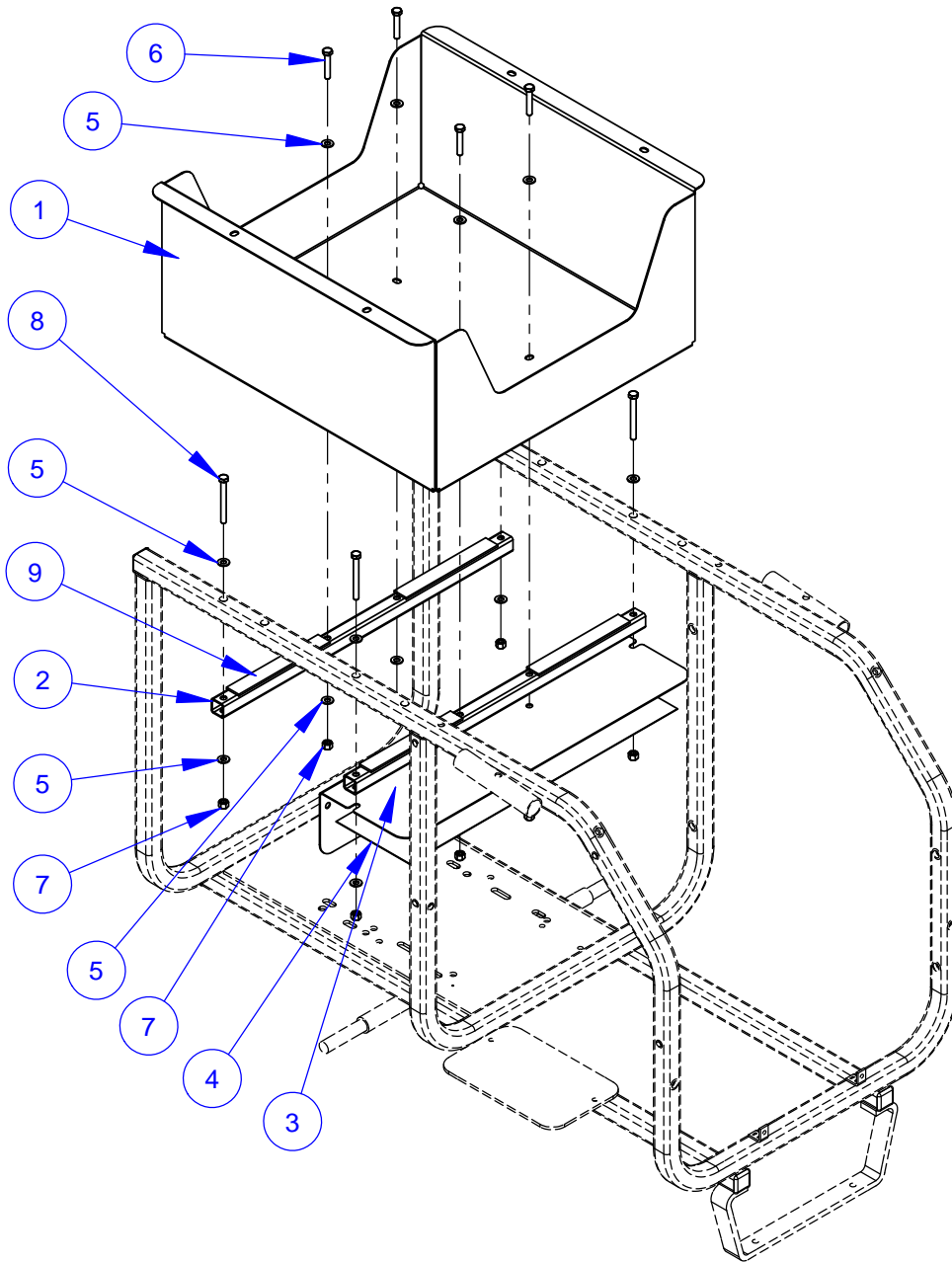
Fuel Solenoid Fuel Line, #4646234



ITEM	PART NO.	QTY.	DESCRIPTION
1	4646234A	1	Fuel Hose, 1/4" ID x 12.3/4"
2	3200091	2	Fitting, 1/4" F. JIC to 1/4" Push Lock
3	3201241	1	Elbow, 1/4" M. JIC to 1/4" F. JIC

4400261 TOOL TRAY OPTION, GAS UNITS

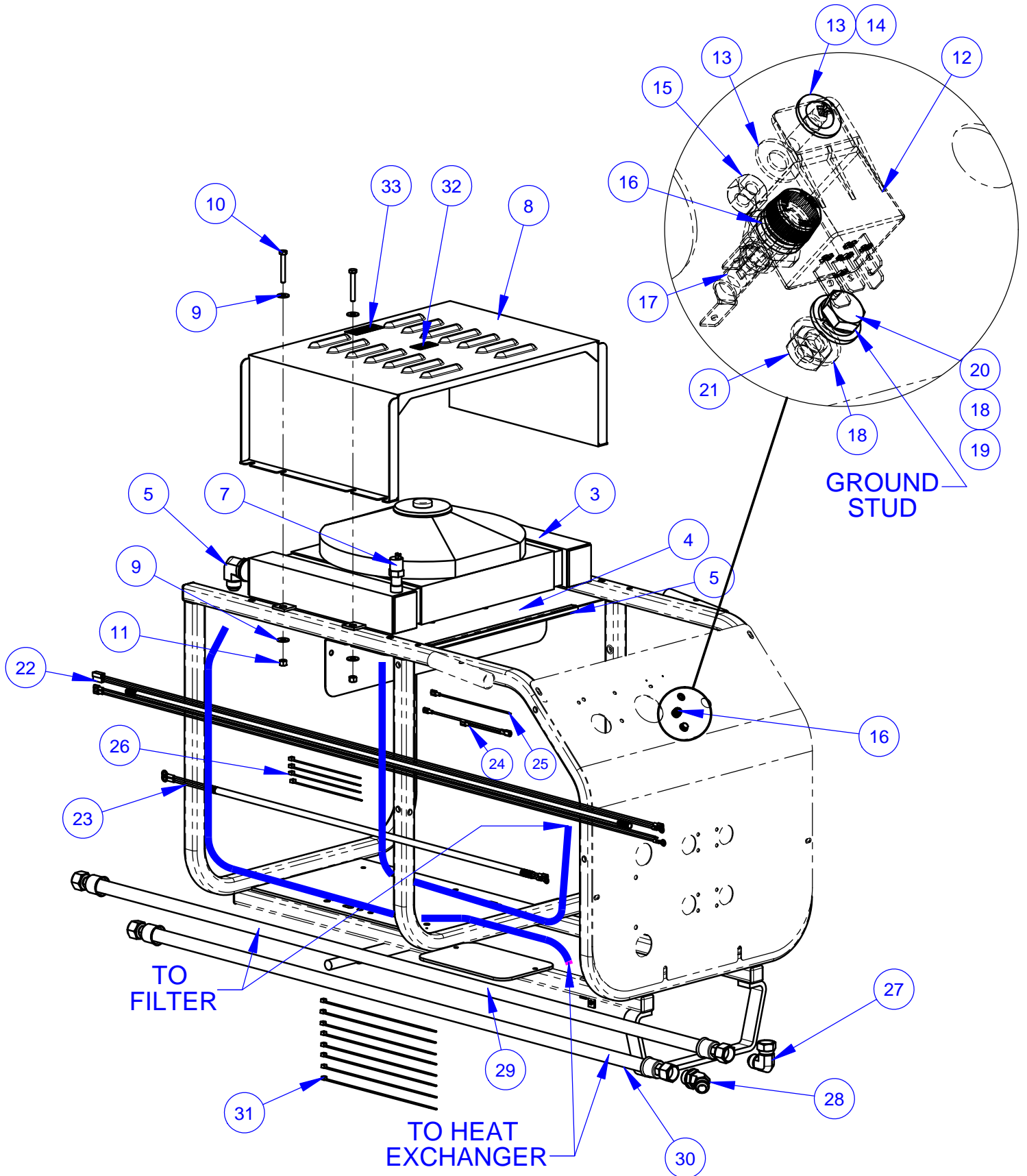
(CANNOT BE USED IN CONJUNCTION WITH OPTIONAL AIR TO OIL COOLER)



ITEM	PART NO.	QTY.	DESCRIPTION
1	4400207	1	Tool Tray
2	4600083	2	Tube, 1" Sq. x 23-3/4"
3	4641097	1	Heat Shield
4	4600167	1	Heat Shield Mat, 6x22"
5	2900022	16	Flat Washer, 5/16" SAE
6	2900538	4	Cap Screw, Hex Hd., 5/16-18 x 1-3/4"
7	2900039	8	Lock Nut, 5/16-18 Nylon
8	2900248	4	Cap Screw, Hex Hd., 5/16-18 x 3"
9	6048077	4	Rubber Strip

4400298 AIR TO OIL COOLER OPTION, CB35XL

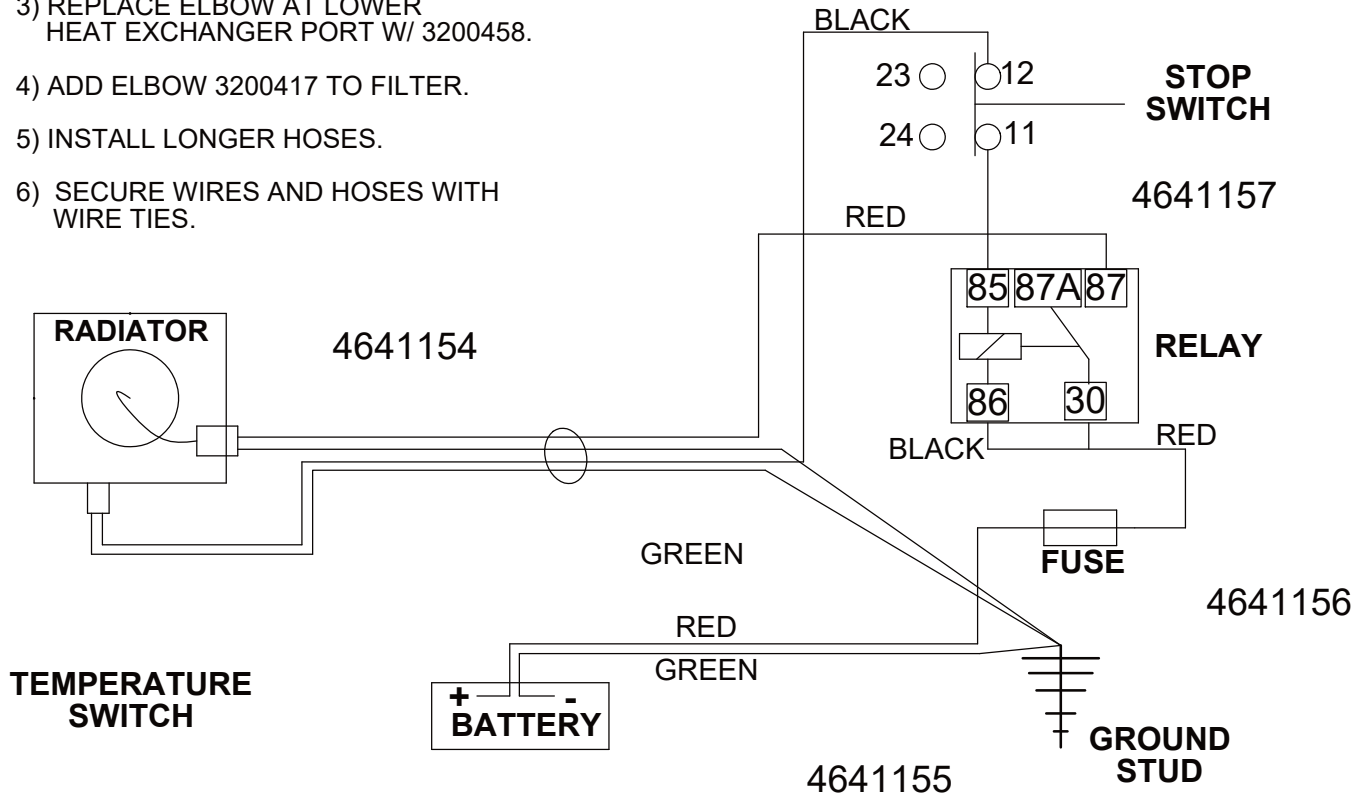
(CANNOT BE USED IN CONJUNCTION WITH OPTIONAL TOOL TRAY #4400261)



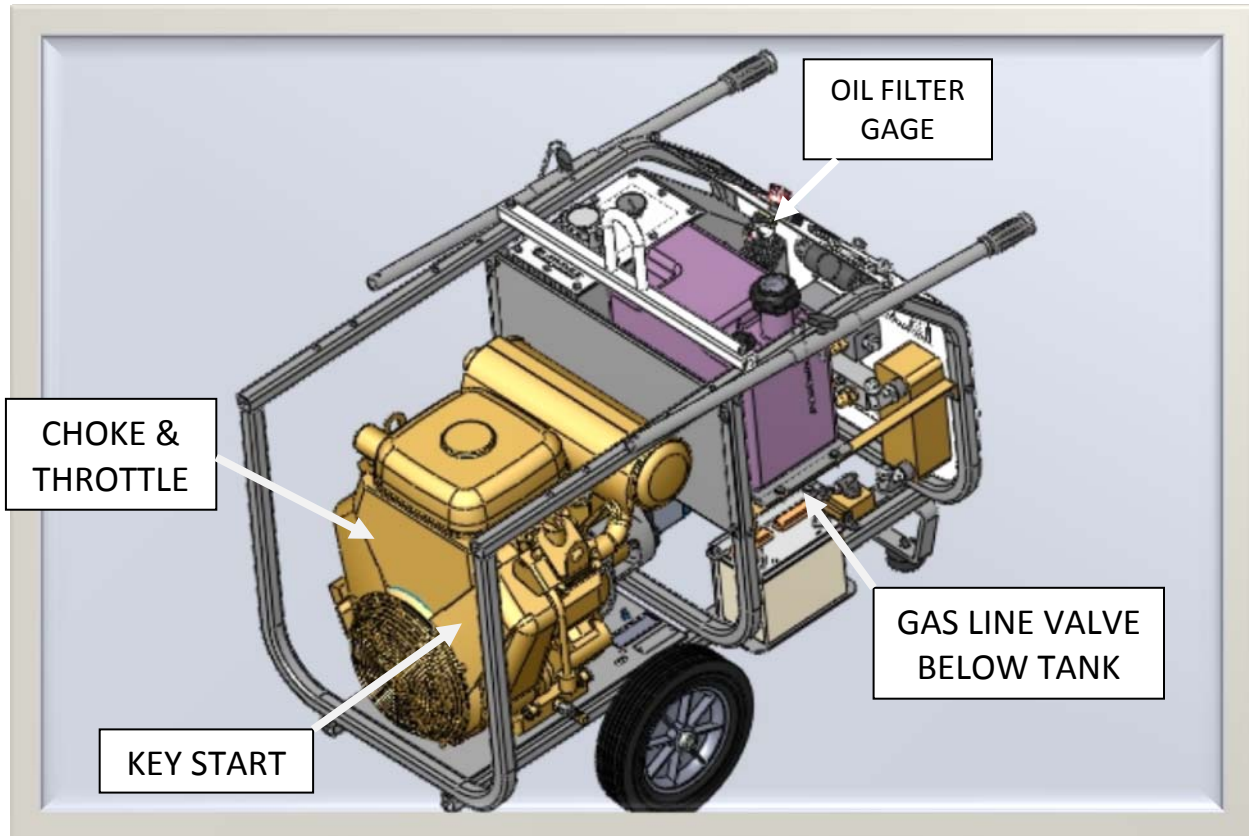
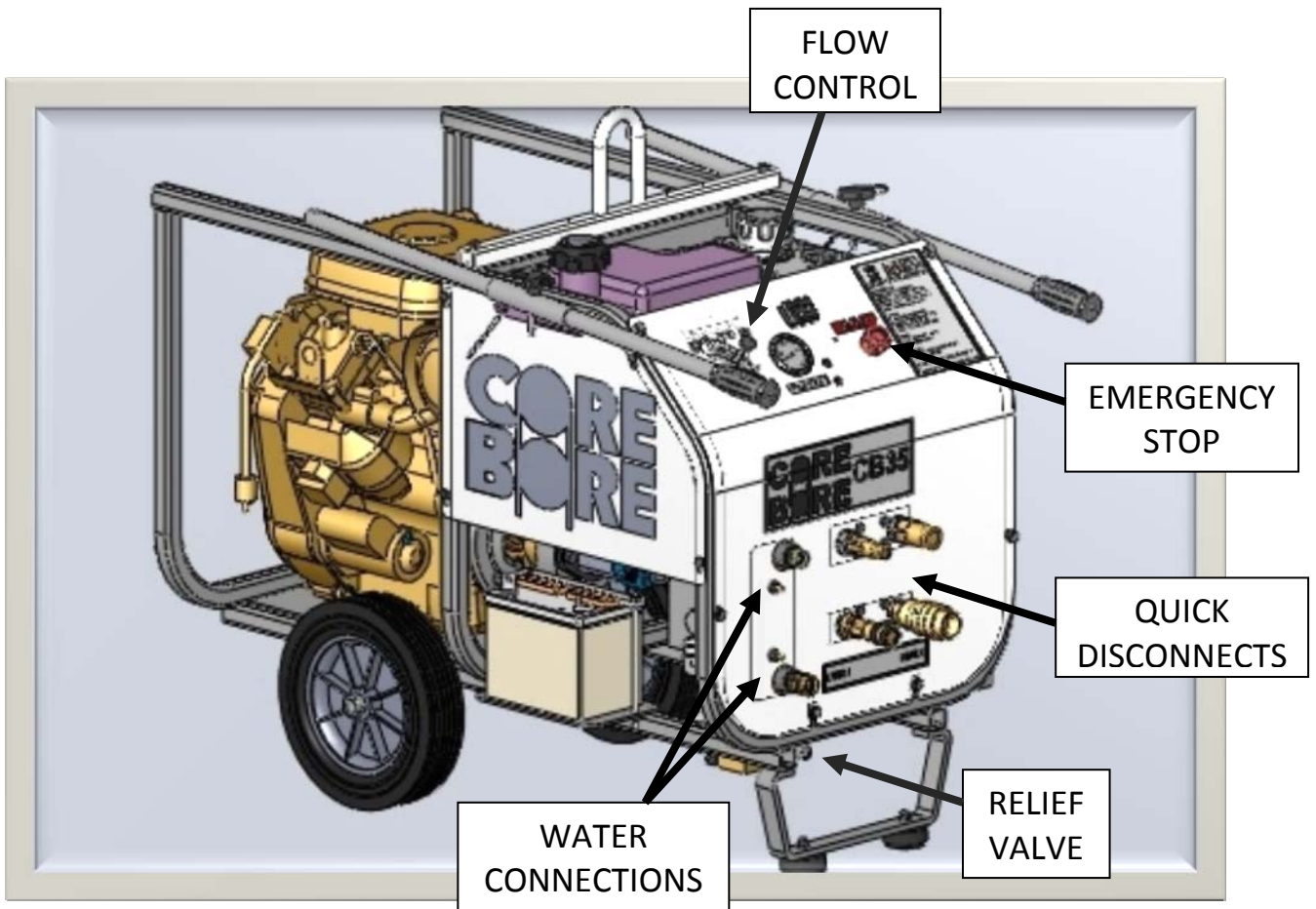
4400298 AIR TO OIL COOLER OPTION, CB35XL

(CANNOT BE USED IN CONJUNCTION WITH OPTIONAL TOOL TRAY #4400261)

- 1) ATTACH WIRES TO RELAY BEFORE BOLTING TO PANEL.
- 2) REMOVE ORIGINAL HOSE FROM HEAT EXCHANGER TO FILTER.
- 3) REPLACE ELBOW AT LOWER HEAT EXCHANGER PORT W/ 3200458.
- 4) ADD ELBOW 3200417 TO FILTER.
- 5) INSTALL LONGER HOSES.
- 6) SECURE WIRES AND HOSES WITH WIRE TIES.



ITEM	PART NO.	QTY.	DESCRIPTION	ITEM	PART NO.	QTY.	DESCRIPTION
1	4646156	1	CB-XL Frame Assembly	17	2803014	1	Fuse, 15 Amp, Slo Blow
2	4646141	1	Instrument Panel	18	2900009	2	Flat Washer, 1/4" SAE
3	2400308	1	Radiator, 12 Volt, 1" SAE Ports	19	2900024	1	Lock Washer, 1/4" Split
4	4641097	1	Heat Shield	20	2900008	1	Cap Screw, Hex Hd., 1/4-20 x 1"
5	4645104	1	Gasket	21	2900125	1	Hex Nut, 1/4-20
5	3200112	2	Elbow, 1" O-Ring to 3/4" M. JIC	22	4641154	1	Wire Assy., 4 Wire
7	2800875	1	Temperature Switch, 3/8 NPT	23	4641155	1	Wire Assy., Red & Grn, 14 Ga.
8	4641159	1	Radiator Guard	24	4641156	1	Wire Assy, Black & Red
9	2900567	8	Flat Washer, 5/16" USS	25	4641157	1	Wire Assy., 20 Ga., Brn, 8-1/2"
10	2900289	4	Cap Screw, Hex Hd., 5/16-18 x 2-1/4"	26	2800068	4	Wire Tie, 7-1/2"
11	2900039	4	Lock Nut, 5/16-18 Nylon	27	3200417	1	Elbow, 3/4" F. JIC to 3/4" M. JIC
12	2800144	1	Relay, 50 Amp, 12V, SPDT	28	3200458	1	Elbow, 3/4" O-Ring to 3/4" M. JIC (45 deg)
13	2900016	2	Flat Washer, #10 USS	29	4643016	1	Hose Assembly, 3/4" x 70"
14	2900159	1	Machine Screw, Rd. Hd., #10-24 x 5/8"	30	4643017	1	Hose Assembly, 3/4" x 58"
15	2900017	1	Lock Nut, #10-24 Nylon	31	2800278	8	Zip Tie, 14"
16	2800481	1	Fuse Holder	32	1800537	1	Label, HOT
				33	1801707	1	Decal, Caution, Fan



GENERAL SAFETY PRECAUTIONS

WARNING: Do not operate power unit without reading this entire manual and the engine operation manual first. Keep manuals with power unit at all times for reference.

This manual describes the operating procedures, care, maintenance, adjustments, and safety precautions for proper use of this machine. This equipment is intended for industrial applications by experienced operators. It is to be operated in conformance with applicable federal, state, and local codes or regulations pertaining to safety, air pollution, noise, etc.

Tool operators and maintenance personnel must always comply with the safety precautions given in this manual and on the stickers and tags attached to the equipment.

These safety precautions are given for your safety. Review them carefully before operating the tool and before performing general maintenance or repairs.

Supervising personnel should develop additional precautions relating to the specific work area and local safety regulations.

In addition to this manual, read and understand safety and operating instructions in the Engine Operation Manual furnished with the Power Unit in addition to this manual.

- Establish a training program for all operators to ensure safe operation.
- Do not operate the power unit unless thoroughly trained or under the supervision of an instructor.
- Do not inspect or clean the power unit while it is running.
- Always use hoses and fittings rated at a minimum 3000 p.s.i. (206.9 bar) with a 4 to 1 safety factor for pressure lines.
- Be sure all hose connections are tight.
- Make sure all hoses are connected for correct flow direction to and from the tool being used.
- Do not inspect hoses and fittings for leaks by using bare hands. "Pin-hole" pressure leaks can penetrate the skin.
- **Never operate the gas power unit in a closed space.** Inhalation of engine exhaust can be fatal.
- Do not operate a damaged or improperly adjusted power unit.
- Never wear loose clothing that can get entangled in the working parts of the power unit.
- Keep all parts of your body away from the working parts of the power unit.

- Always wear appropriate safety equipment such as goggles, ear protection, head protection and safety shoes. Certain tools used in conjunction with the power unit may require other safety equipment such as breathing filters.
- Keep clear of hot engine exhaust.
- Do not add fuel to the power unit while the power unit is still running or is still hot.
- Do not operate the power unit if a gasoline odor is present.
- Do not use flammable solvents around the power unit engine.
- Do not operate the power unit within 3 ft. (1 meter) of buildings or flammable objects.
- Do not operate the power unit without the heat shield installed.
- Allow the engine to cool before storing the unit in an enclosed area.
- To avoid personal injury or equipment damage, all tool repair, maintenance and service must only be performed by authorized and properly trained personnel.

IMPORTANT: The red stop button at the front panel will immediately stop the engine and radiator fan. Hydraulic pressure and flow will go to zero. This button must be in the out position to start the engine.

DANGER: Improper use or alteration of this equipment may be extremely hazardous.

SAFETY SYMBOLS

Safety symbols are used to emphasize actions which could result in a life-threatening situation, bodily injury, or damage to equipment.

Always observe safety symbols. They are included for your safety and for the protection of the tool.

! DANGER !

This safety symbol may appear on the tool. It is used to alert the operator of an action that could place him/her or others in a life threatening situation.

! WARNING: !

This safety symbol appears in these instructions to identify an action that could cause bodily injury to the operator or to other threatening situation.

! IMPORTANT!

This safety symbol appears in these instructions to identify an action or condition that could result in damage to the tool or other equipment.

DESCRIPTION AND SPECIFICATIONS

Pump: Gear, pump rotation is clockwise (motor is CCW).

Maximum GPM: 17.2 GPM (65.1L/M) at no load, 4000 RPM. Flow will decrease as pressure approaches the relief setting and as engine RPM drops under load.

Hydraulic Fluid Tank Capacity: 11 gallons (41.6Liters)

Hose Couplings: Bruning quick disconnect, 3/4 inch & 1/2 inch

Relief Pressure: Factory set at 3000 PSI /206.9 Bar (at valve outlet port). Do not exceed 3000 PSI. Adjustable to 1200 PSI / 83Bar. At relief setting, all flow is to tank and none to tool.

Engine: Briggs & Stratton 35 hp (Gross), Air-cooled, gasoline fueled, no load RPM: 4000.

Fuel Tank Capacity: 5 gallons.

This unit is compatible with most hydraulically driven sawing and drilling components. The system may not be compatible with components of some manufacturers.

The power unit was inspected and operated before shipment and should not require any additional adjustments prior to its initial use.

Hydraulic Fluid: The reservoir of the hydraulic power unit must be full prior to start-up. The use of high quality petroleum based hydraulic oil with the following properties is recommended:

- Anti-wear
- Low foaming
- Rust and oxidation inhibitors
- Wide temperature range
- Fluid viscosity: 8-1000 Centistokes (52-4600 SUS). The unit is shipped with an ISO 46 Viscosity grade (8Cs/52SUS @ 212F/100C and 46Cs/210SUS @ 104F/40C).

The oil must be kept free of contamination to avoid damage to system components. The strainer in the fill cap must always be in place when adding oil. Quick disconnects must be cleaned before connections are made.

Control Valve: The pressure compensated flow control valve on this unit allows full flow control while the gas engine remains at its most efficient wide-open throttle. This allows a higher operating pressure at all flows.

Flow settings: CCW, all flow routed to tank. Flow to tool increases as valve rotates clockwise.

Relief Valve: Relief pressure can be adjusted by using an Allen wrench at the relief cartridge, which is mounted just below the front panel. The relief can be set as low as 1200 psi; do not exceed 3000 psi. To adjust, the flow control must be set at MAX and no tool should be attached. This will force all flow over relief. The relief should rarely need adjustment. Higher relief may cause the engine to stall.

Hydraulic Oil Cooler and Radiator: The power unit is equipped with a brazed plate style oil cooler and a radiator option is available. Whenever possible, water should be passed through the cooler before being used for dust control or blade & bit cooling. Some tools will automatically shut off water flow when not actively cutting, drilling, etc. This may result in higher oil temperatures if the power unit continues to run for long periods without cooling water. The optional radiator fan will come on automatically when the oil temperature reaches ~ 120 F. (49 C.) and continue to run until the oil cools, even if the engine is shut off. The fan *will* stop whenever the emergency stop switch is used.

IMPORTANT: If there is a risk of frost the water must be drained from the cooler to prevent damage by freezing.

HOSES: Large diameters and short lengths are preferred and offer the highest system efficiency. If one is operating 50 ft (15.2M) from the power source, there is also a 50 ft (15.2M) return for a 100 ft (35.5M) total hose length. With 15 GPM and oil at 100 deg. F (37.8C), this could result in a 400 psi (27.5 Bar) pressure loss with ½” hose and a 140 psi (9.6 Bar) loss with 5/8” hose. Pressure loss will change dramatically with oil temperature.

OPERATING INSTRUCTIONS

Operator Responsibilities

It is the operator’s responsibility to use this unit and any attached tools under safe working conditions and to follow proper safety procedures for themselves, co-workers, observers, and the public at large. The operator must be aware of the machine’s capabilities and limitations and follow the safety precautions in each section of this manual. Periodic maintenance is required, in accordance with the instructions herein, to promote safe and reliable operations.

WARNING: Keep bystanders out of the immediate work area.

Wear approved:

- Safety glasses
- Ear protection
- Hard hat
- Gloves
- Safety shoes
- Any other protective equipment required for compliance with standard safety practices or federal, state, and local codes and regulations
- Never operate the power unit without the heat shield installed.

HOSE CONNECTIONS: It is best to connect the hoses to the unit before starting as even very low residual pressure can make hose installation more difficult. Push couplings together until you hear it

click. Turn locking ring of coupling to the secured position.

ENGINE: Make sure that the engine crankcase is filled with oil to the proper level! Refer to your engine manual for oil checking and changing procedures, along with oil specifications, etc.

IMPORTANT: Operating the engine without oil will ruin the engine.

FUEL: Use regular grade unleaded gasoline to fuel the engine. Premium grade may be used if necessary. Fill the tank when the engine is off and has been allowed to cool. Care should be taken to prevent spilling fuel. **Do not overfill the fuel tank.** Always leave enough space for expansion due to environmental heating.

WARNING: In the event of fuel spillage, do not start the engine or operate any nearby electrical component until the spilled fuel has been removed.

Starting Procedure:

- Set the flow control valve to zero.
- Open the fuel shut off valve below the gas tank.
- Be certain the emergency off switch has been pulled out.
- Set throttle to maximum, set choke if necessary (cold engine). Turn key to start and release. Refer to engine manual for details of control functions.
- Let engine warm and gradually open the choke.

DANGER: Exhaust from the engine contains carbon monoxide, a poisonous, odorless, invisible gas, which can cause serious illness or death. Do not operate the engine where ventilation is restricted. Open windows and doors may not be sufficient to prevent this hazard.

OPERATING DRIVEN EQUIPMENT

Heating Cold Oil: Forcing the oil over relief will quickly increase the oil temperature. With no tool connected to the unit, move the valve setting toward 10. This will force an increasing percentage of oil over relief. Heat cold oil to room temperature or ~100F/38C maximum. Cold oil greatly increases pressure loss in hoses and fittings and may affect tool operation.

Maintaining Oil Temperature: With an ample water supply and the radiator, it is unlikely overheating will be an issue except in the most extreme ambient temperatures. To force high oil temperatures down, run the unit with the flow control set to zero. This unloads the unit yet circulates oil through the cooling system. The rate of cooling will depend on the ambient temperature and how much water is being passed through the cooler.

Some control valves at the external tool may create backpressure and heat even when off. It is best to set the flow control to zero or shut the power unit down to avoid heating and conserve energy.

IMPORTANT: Monitor the thermometer at the top of the hydraulic tank. Maximum recommended oil temperature is 180 degrees Fahrenheit (82 deg C).

Shutting Down:

- Shift the flow control valve to zero to unload the system.
- Throttle the engine back to a low RPM.
- Turn the key to the off position.

IMPORTANT: The red stop button at the front panel will immediately stop the engine and radiator fan. Hydraulic pressure and flow will go to zero. This button must be in the out position to start the engine.

The operator must know the hydraulic requirements and limitations of the driven equipment and the appropriate adjustments must be made on the controls. The introduction of other control devices may cause system heating or may render the system inoperative.

IMPORTANT: This power unit is equipped with a positive displacement gear pump. All tools must be equipped with a control valve that allows flow directly to return ports when not in use. Blocking oil flow or abruptly disconnecting the tool can send flow over relief and potentially overheat the system.

Instructions supplied with the driven equipment must be followed to ensure correct connection and operation of each individual piece of equipment. Equipment supplied by Diamond Products will be capable of being connected correctly and will be compatible with this power unit, providing neither has been modified from original factory configuration. With equipment of other manufacturers, it will be necessary to determine the following:

- Correct direction of flow through the equipment.
- Correct pressure and flow required by the equipment.
- Compatibility of any valves or circuitry and quick disconnects. Some hand-held equipment uses a trigger control, which is operated frequently. These valves must be of the open center type for correct operation.

IMPORTANT: The quick disconnects must be clean when connecting hoses and devices. Failure to thoroughly clean may result in contamination and premature failure of system or tool components.

MAINTENANCE INSTRUCTIONS

- Oil Filter: change the filter when indicated by the gage at the filter.
- Oil Change: establishing an oil analysis program is the preferred method of determining oil condition and when to change it. If the oil is kept clean, dry, and operated at moderate temperatures, it can last for several years. With no analysis program an oil change every 200 hours is recommended. See the section Hydraulic Fluid for specifications. A ½" pipe thread oil drain port is at the bottom of the hydraulic tank.
- Engine Oil: Change engine oil and filter and perform other routine maintenance as recommended in the engine operation manual.
- Inspect hoses, couplings, and fittings daily for leaks, tighten as required. Clean quick disconnects frequently. Replace any leaking or defective components immediately.
- Check hydraulic oil level daily. Fill tank to upper end of sight tube with unit off.

TROUBLESHOOTING

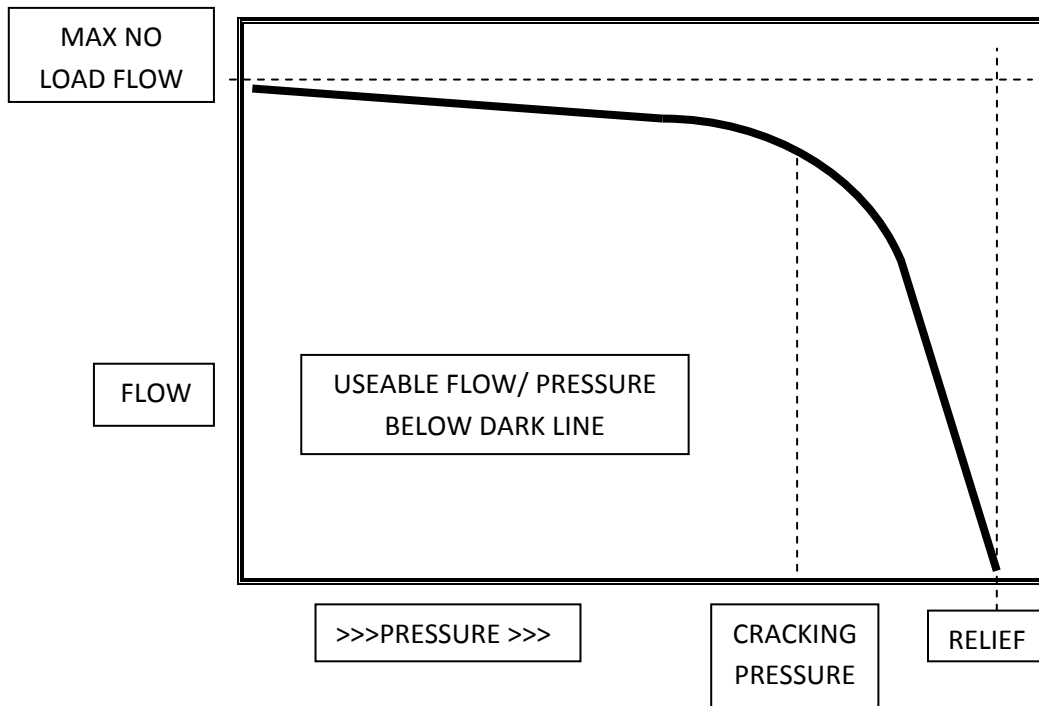
PROBLEM	POSSIBLE SOLUTIONS
Engine will not start.	1) Pull out emergency stop button. 2) Open gas line valve below gas tank. 3) Dead battery? 4) Low engine oil?
Radiator fan does not run (Optional on gas units).	1) Oil must be >120 F. (49C.) 2) Check fuse at front panel. 3) Electrical connectors firmly attached? 4) Dead Battery?
Low oil flow.	Check engine RPM at tachometer on front panel. Adjust governor to 4000 RPM, at no load, if required. See engine manual.
System builds high pressure with flow control valve set to zero.	Contamination may have plugged an orifice in the CF port of the flow valve. Detach the valve from the front panel and remove the fitting from the CF port. A .015" orifice should be visible at the bottom of the port. Push a fine wire through the orifice and re-install.

Keep this manual and the engine manual readily available at all times for reference.

CB POWER PACK FLOW AND PRESSURE RATING

CB POWER PACK MODEL	MAXIMUM <u>NO</u> <u>LOAD</u> FLOW GPM/LPM	RELIEF SETTING PSI/BAR
15 Electric	12.75 / 48.2	2100 / 145
18 Briggs Vanguard	11.6 / 43.9	2850 / 196.5
20 Electric	14.9 / 56.4	2400 / 165.5
21 Honda	14.1 / 53.2	2600 / 179.3
30 Electric	20.4 / 77.2	2300 / 158.6
35 Briggs Vanguard	17.2 / 65.1	3000 / 206.9

Maximum no load flow is based on pump and motor manufacturer's specifications for pump displacement and no load RPM. Relief is set to insure gas engines cannot reach their stall torque and electric motors will not exceed the recommended current limit.



Flow decreases as engine/motor RPM drops under load. Relief valves begin to open and shunt flow to tank at 75-80% of the relief setting (cracking pressure). This further reduces flow to the tool. At relief, all flow is directed to tank.

Issued August 2011

EQUIPMENT AND PARTS WARRANTY

Diamond Products warrants all equipment manufactured by it against defects in workmanship or materials for a period of one (1) year from the date of shipment to Customer.

The responsibility of Diamond Products under this Warranty is limited to replacement or repair of defective parts at Diamond Products' Elyria, Ohio factory, or at a point designated by it, of such parts as shall appear to us upon inspection at such parts, to have been defective in material or workmanship, with expense for transportation and labor borne by Customer.

In no event shall Diamond Products be liable for consequential or incidental damages arising out of the failure of any Product to operate properly.

Integral units such as engines, electric motors, batteries, transmissions, etc., are excluded from this Warranty and are subject to the prime manufacturer's warranty.

THIS WARRANTY IS IN LIEU OF ALL OTHER WARRANTIES, EXPRESSED OR IMPLIED, AND ALL SUCH OTHER WARRANTIES ARE HEREBY DISCLAIMED.

