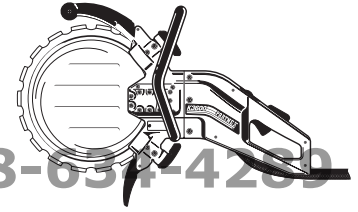


# PARTNER

ConstructionParts.com



888-634-4289

IPL, K 3600, 2003-01, 106 25 76-65

ConstructionParts.com

**K 3600**

**Reservdelar**

**Spare parts**

**Ersatzteile**

**Pieces derechange**

**Piezas de repuesto**

**Ricambi**

**Peças  
sobresselente**

ConstructionParts.com

888-634-4289

106 25 76-65

---

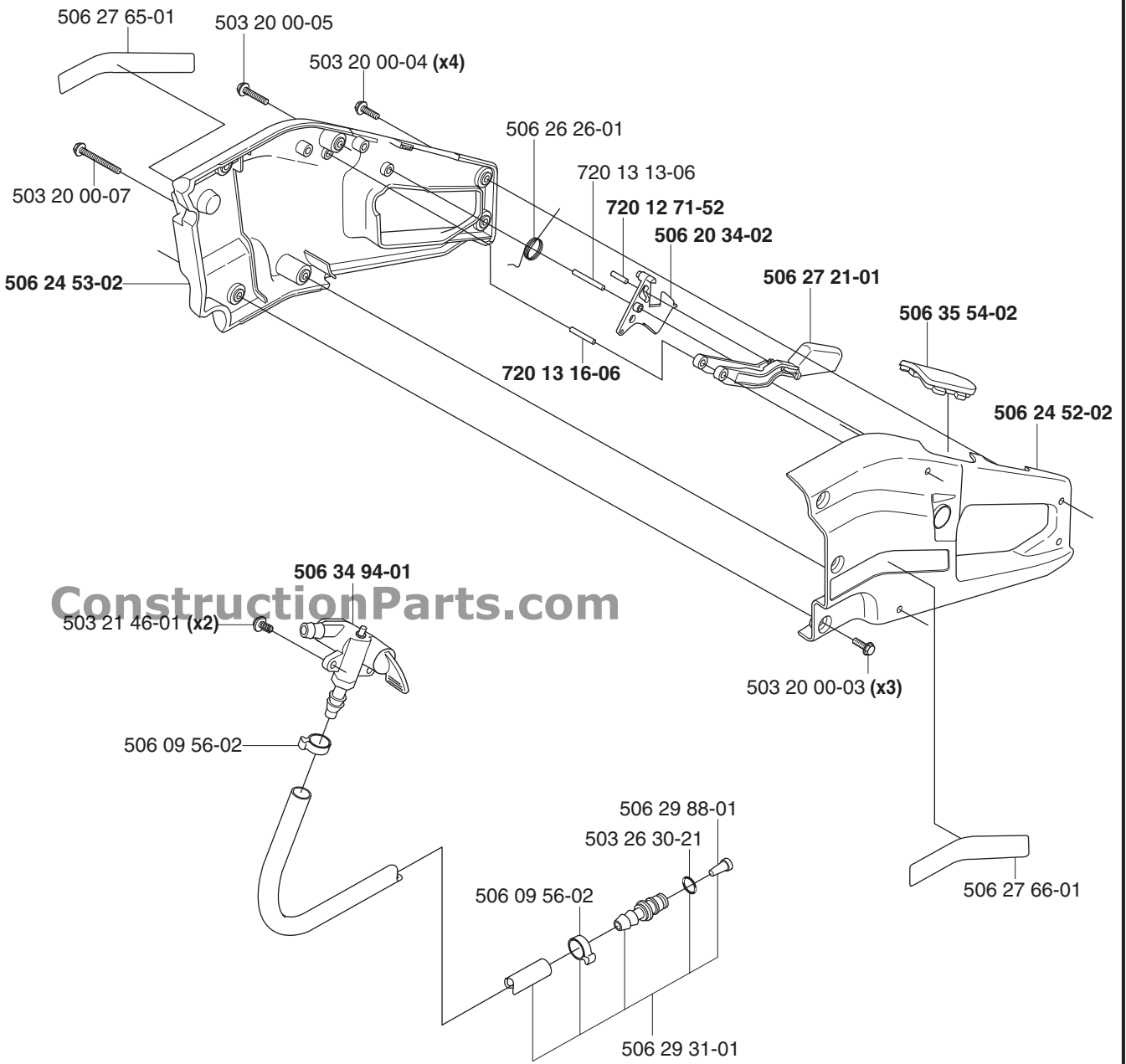
**PARTNER®**

| No.          | Pos. | Description                | No.          | Pos. | Description            |
|--------------|------|----------------------------|--------------|------|------------------------|
| 501 69 17-01 | H    | Comb tool                  | 506 29 23-01 | G    | Spring                 |
| 503 20 00-03 | A    | Screw m6sf 5x12            | 506 29 31-01 | A    | Water hose, cpl        |
| 503 20 00-04 | A    | Screw M6SF 5x16            | 506 29 40-01 | C    | Stop screw             |
| 503 20 00-05 | A    | Screw M6SF 5x25            | 506 29 41-01 | C    | Stop screw             |
| 503 20 00-07 | A    | Screw M6SF 5x40            | 506 29 59-01 | G    | Warning decal          |
| 503 20 02-20 | DE   | Screw                      | 506 29 64-01 | B    | Plug                   |
| 503 20 02-30 | D    | Screw                      | 506 29 88-01 | A    | Screen                 |
| 503 20 13-18 | BC   | Screw                      | 506 29 96-01 | H    | Tool kit               |
| 503 21 46-01 | AG   | Screw                      | 506 30 06-11 | C    | Chassis cpl            |
| 503 23 00-64 | G    | Washer                     | 506 30 07-01 | C    | Handle, upper          |
| 503 24 07-01 | D    | Pin                        | 506 30 07-02 | C    | Handle, lower          |
| 503 25 24-01 | BC   | Ball bearing               | 506 30 09-01 | C    | Locking device         |
| 503 26 30-21 | A    | O-ring                     | 506 30 11-14 | E    | Seal, cpl              |
| 503 26 30-22 | G    | O-ring                     | 506 30 12-01 | D    | Cover motor, cpl       |
| 503 26 30-25 | G    | O-ring                     | 506 30 13-01 | B    | Support roller cover   |
| 503 26 30-26 | B    | O-ring                     | 506 30 14-01 | B    | Adjusting screw        |
| 503 26 30-28 | E    | O-ring                     | 506 30 15-01 | B    | Plug with O-ring       |
| 506 09 56-02 | A    | Clamp                      | 506 30 34-01 | BC   | Hex washer             |
| 506 09 75-07 | G    | Hose                       | 506 31 22-01 | F    | Flange washer          |
| 506 10 55-01 | G    | Spring                     | 506 31 45-01 | CG   | Pipe                   |
| 506 10 93-02 | G    | Stabilizer blade           | 506 31 65-01 | BC   | Bushing                |
| 506 10 95-02 | G    | Hose                       | 506 31 67-01 | C    | Engagement roller, cpl |
| 506 10 96-21 | G    | Coupler 3/8 (fem) FF, BSP  | 506 32 00-01 | D    | Shaft                  |
| 506 10 98-21 | G    | Coupler 3/8 (male) FF, BSP | 506 32 01-01 | G    | Pin                    |
| 506 11 03-01 | E    | O-ring                     | 506 32 08-02 | F    | Drive wheel, cpl       |
| 506 11 05-01 | E    | Bearing                    | 506 32 17-01 | BC   | Sealing                |
| 506 13 95-02 | F    | Washer                     | 506 32 23-01 | H    | Sleeve                 |
| 506 17 83-01 | F    | Drive disc                 | 506 32 41-01 | B    | Support roller, cpl    |
| 506 19 87-03 | DEF  | Hydr. motor, compl         | 506 32 43-01 | C    | Engagement roller      |
| 506 20 31-01 | E    | Lever                      | 506 32 44-01 | B    | Support roller         |
| 506 20 34-02 | A    | Throttle trigger           | 506 32 47-01 | B    | Screw, 6 x 22          |
| 506 20 38-01 | E    | Spring                     | 506 33 49-01 | B    | Pipe spacer            |
| 506 21 59-01 | E    | Valve spindle              | 506 34 67-04 | E    | Shaft cpl              |
| 506 21 60-01 | E    | Sleeve                     | 506 34 94-01 | A    | Valve                  |
| 506 21 80-01 | D    | Valve                      | 506 35 54-02 | A    | Window                 |
| 506 21 81-01 | D    | Spring                     | 506 35 95-01 | E    | Rod                    |
| 506 21 82-01 | E    | Piston                     | 720 12 71-52 | A    | Pin                    |
| 506 21 83-01 | E    | Spring                     | 720 13 13-06 | A    | Pin, 5x28              |
| 506 21 85-01 | D    | Valve seat                 | 720 13 16-06 | A    | Pin                    |
| 506 23 35-01 | E    | Housing                    | 725 53 27-55 | G    | Screw, MC6 5x12        |
| 506 24 52-02 | A    | Handle, left               | 725 53 76-55 | F    | Screw, 6x35            |
| 506 24 53-02 | A    | Handle, right              | 725 53 79-05 | C    | Screw, 6x45            |
| 506 24 58-01 | C    | Bellow                     | 725 53 80-05 | G    | Screw, 6x50            |
| 506 24 59-02 | C    | Sleeve                     | 725 53 81-56 | B    | Screw, 6x55            |
| 506 24 61-01 | C    | Bushing                    | 725 54 57-55 | B    | Screw,, 8x40           |
| 506 24 69-01 | G    | Blade guard, cpl           | 725 54 69-05 | G    | Screw, 8x90            |
| 506 24 72-01 | G    | Screw                      | 732 25 12-01 | E    | Nut, M4                |
| 506 24 90-01 | G    | Handle, cpl                | 735 31 08-20 | E    | E-ring 4               |
| 506 24 95-01 | G    | Spring                     | 735 31 14-00 | E    | Seeger clip            |
| 506 24 97-01 | G    | Locking handle             | 735 31 28-10 | BC   | Retaining ring         |
| 506 25 60-01 | C    | Spring                     | 735 31 31-10 | E    | Retaining ring         |
| 506 25 65-02 | F    | Drive disc support         | 735 88 06-00 | E    | Woodruff key           |
| 506 25 68-01 | C    | Splash guard               | 738 22 01-25 | E    | Ball bearing 6201-C3   |
| 506 25 75-01 | C    | Spring                     | 740 38 27-01 | G    | Washer, 1/4            |
| 506 26 22-01 | G    | Roller                     | 740 38 34-01 | G    | Washer, 3/8            |
| 506 26 26-01 | A    | Spring                     | 740 42 03-00 | D    | O-ring                 |
| 506 27 21-01 | A    | Throttle lock              | 740 42 07-00 | BC   | O-ring                 |
| 506 27 34-01 | E    | Sealing                    | 740 43 02-00 | E    | O-ring                 |
| 506 27 65-01 | A    | Decal, right               | 740 43 03-00 | G    | O-ring                 |
| 506 27 66-01 | A    | Decal, left                | 740 43 11-00 | D    | O-ring                 |
| 506 28 08-14 | B    | Holder, upper              |              |      |                        |
| 506 28 08-15 | B    | Holder, lower              |              |      |                        |
| 506 28 51-02 | B    | Support roller cover, cpl  |              |      |                        |
| 506 28 99-01 | C    | Bellow                     |              |      |                        |

**A**

**ConstructionParts.com**

**888-634-4289**



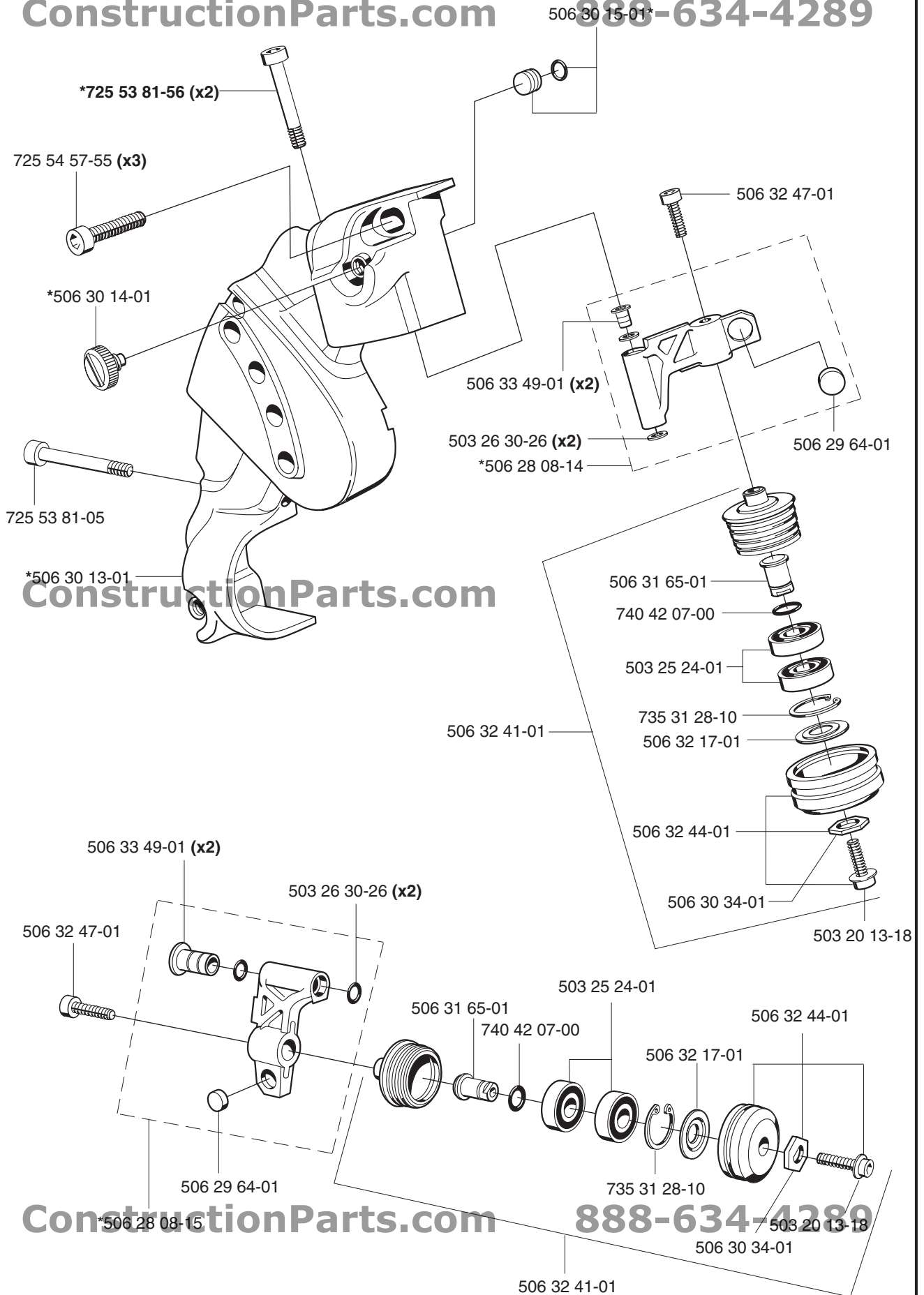
**ConstructionParts.com**

**ConstructionParts.com**

**888-634-4289**

**B** \*compl 506 28 51-02

ConstructionParts.com 888-634-4289

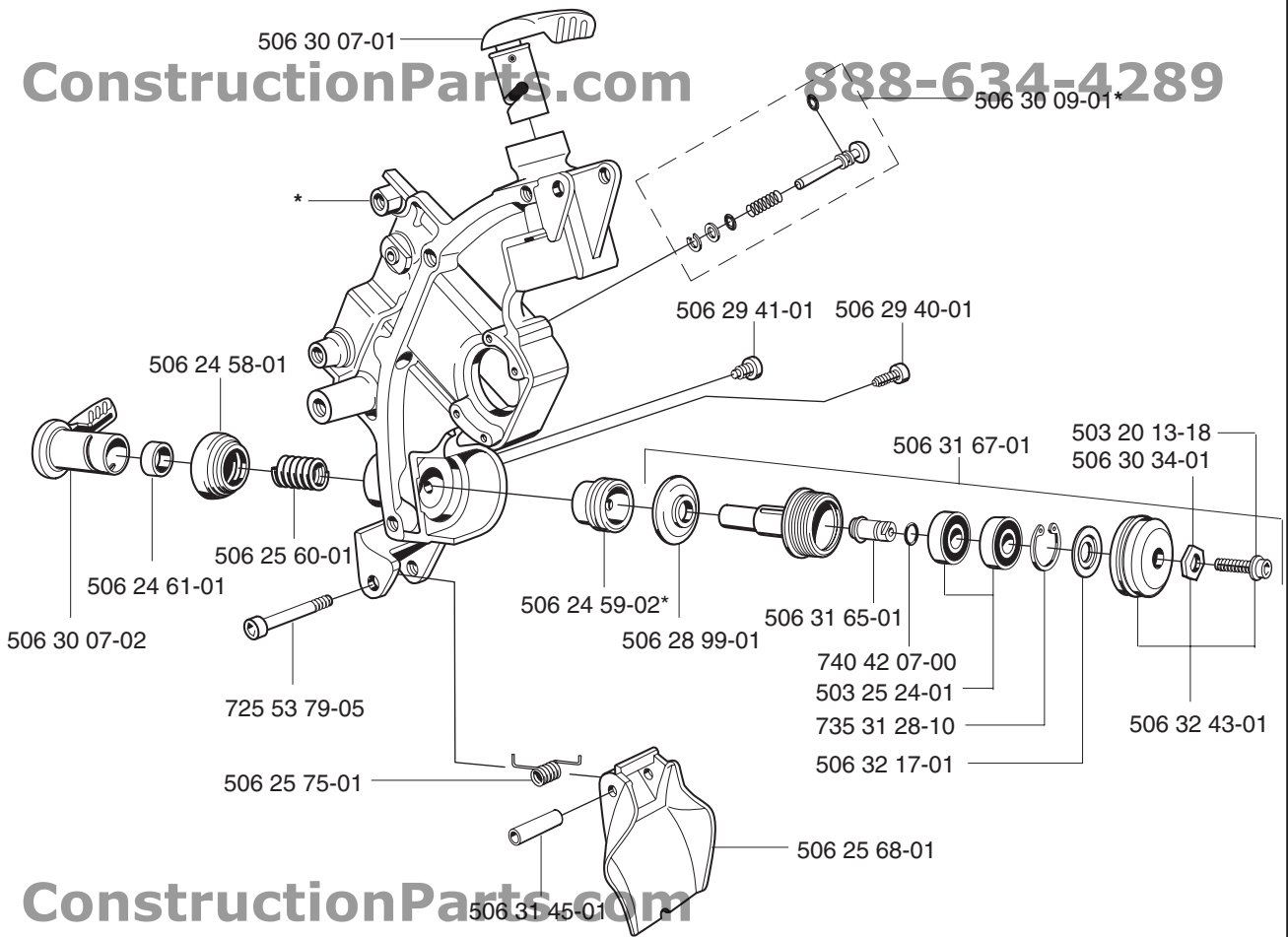


ConstructionParts.com 888-634-4289

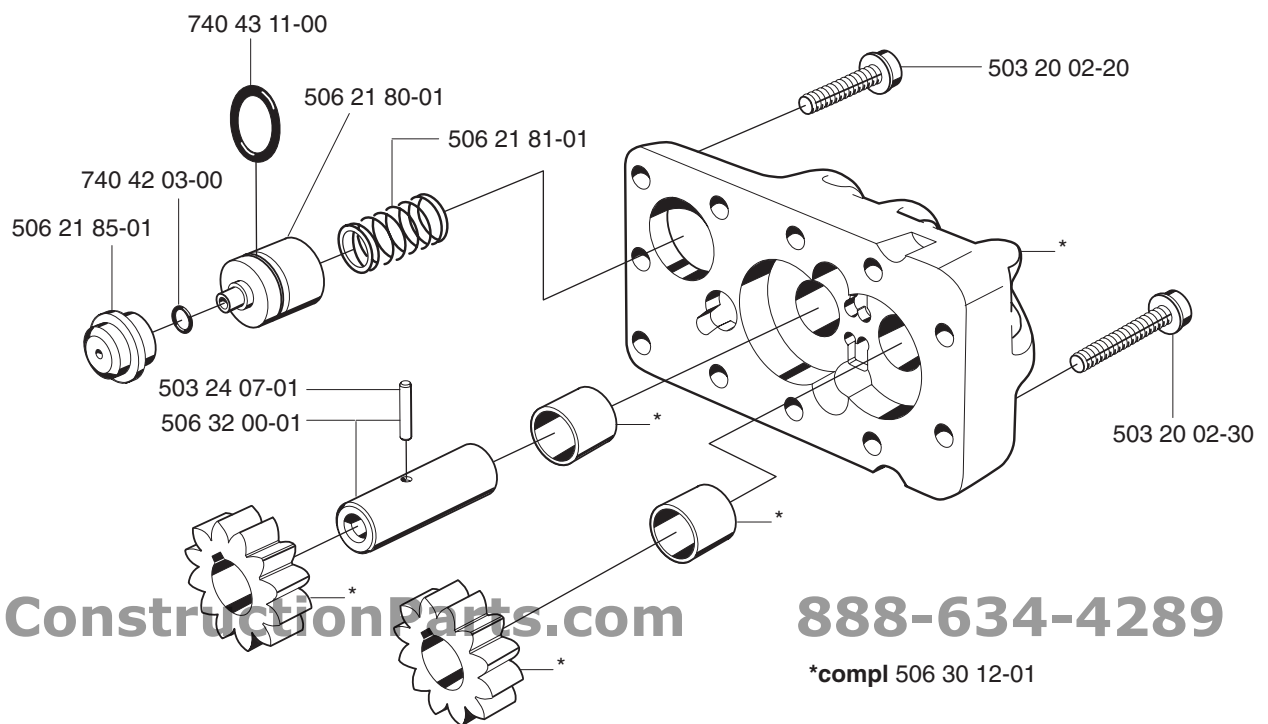
**C** \*compl 506 30 06-11

ConstructionParts.com

888-634-4289



**D** Hydr. motor compl 506 19 87-03



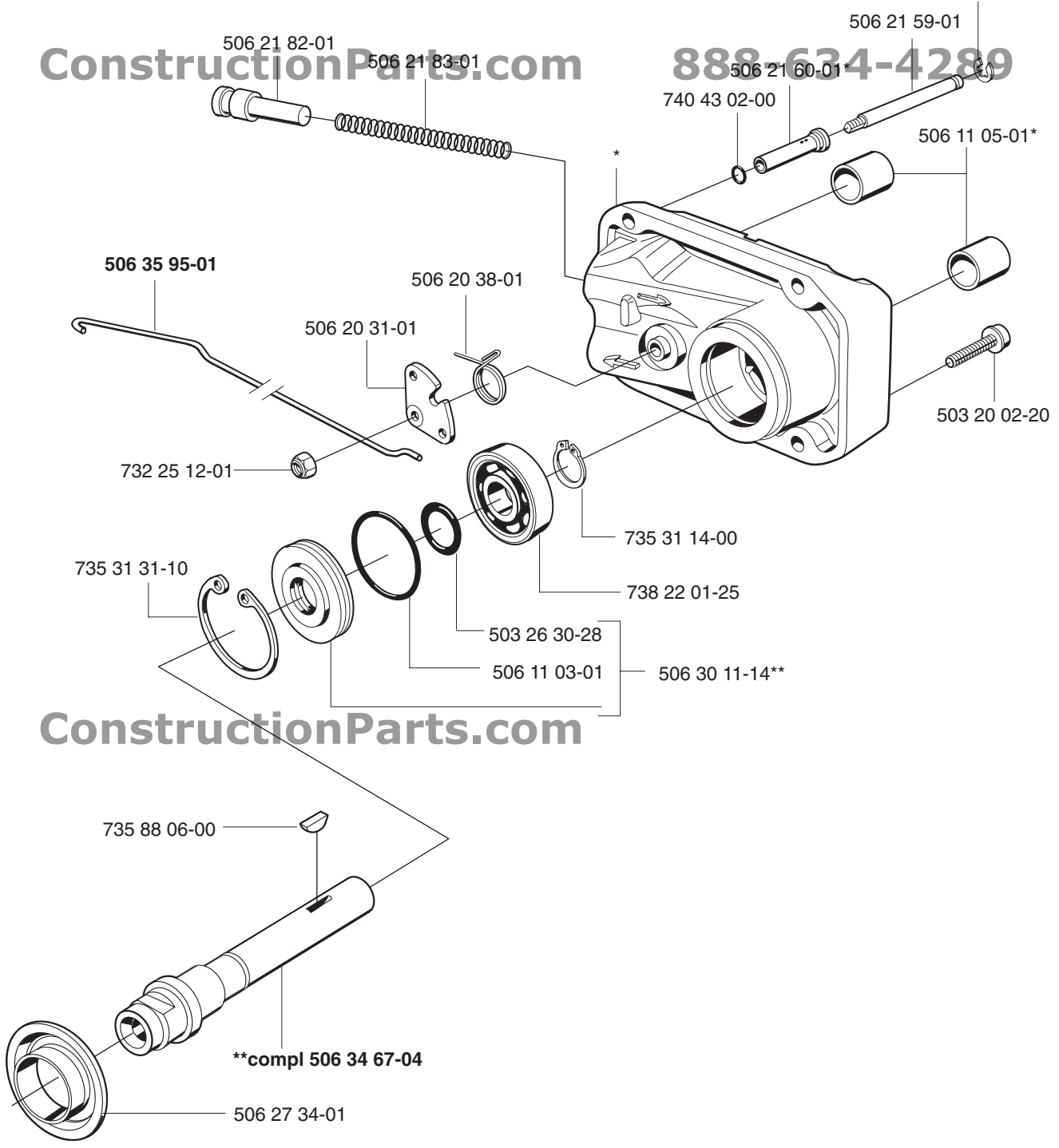
**E** Hydr. motor compl 506 19 87-03

\*compl 506 23 35-01

735 31 08-20

ConstructionParts.com

888-634-4289

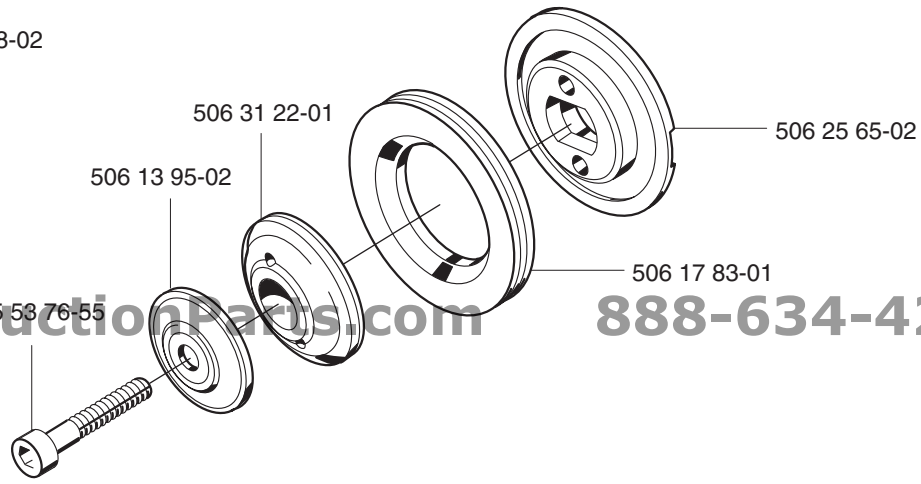


ConstructionParts.com

**F** \*compl 506 32 08-02

ConstructionParts.com

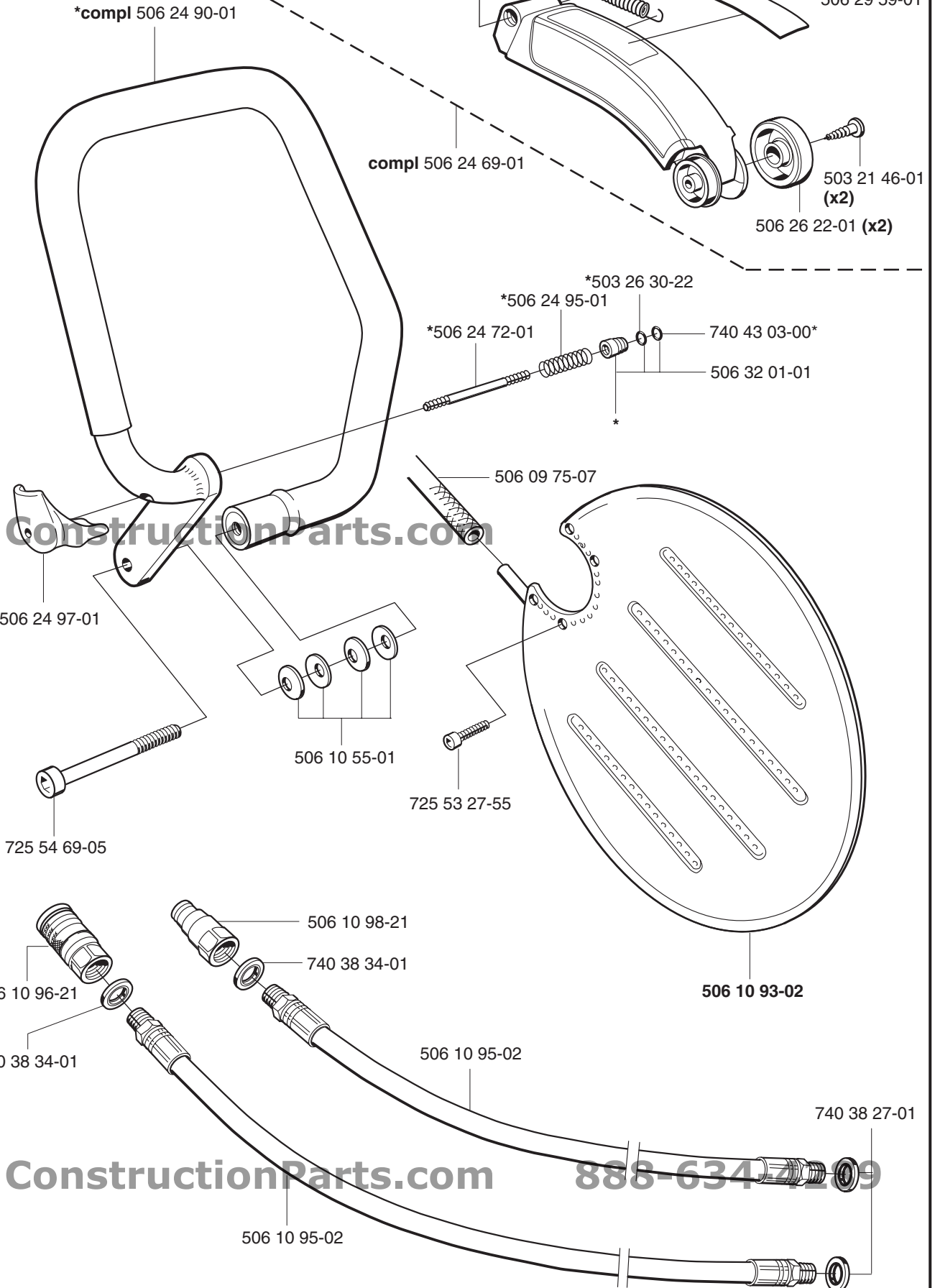
888-634-4289



G

ConstructionParts.com

888-634-4289



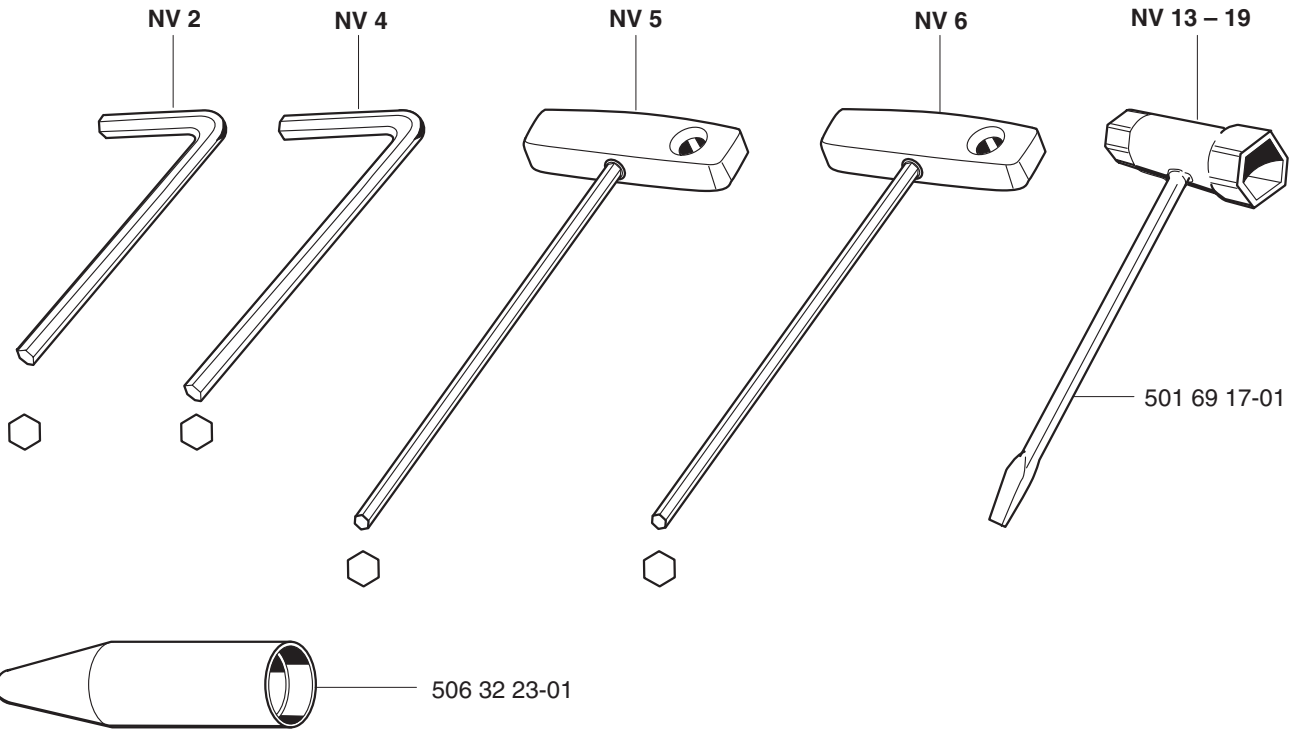
ConstructionParts.com

888-634-4289

**H** Tool kit  
compl 506 29 96-01

**ConstructionParts.com**

**888-634-4289**



**ConstructionParts.com**

**ConstructionParts.com**

**888-634-4289**