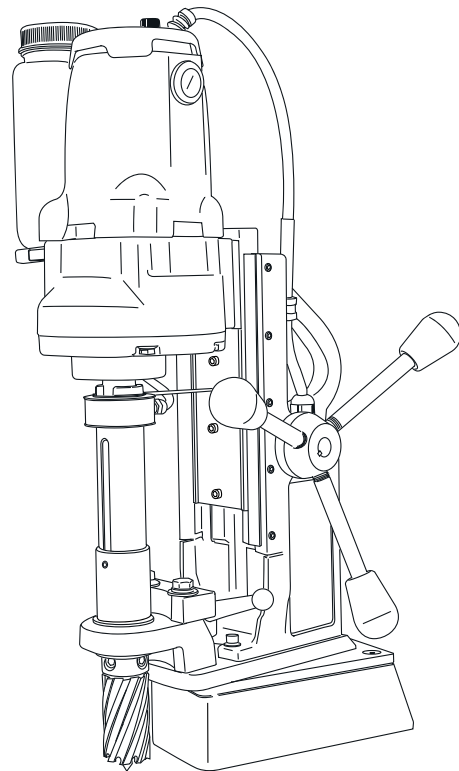
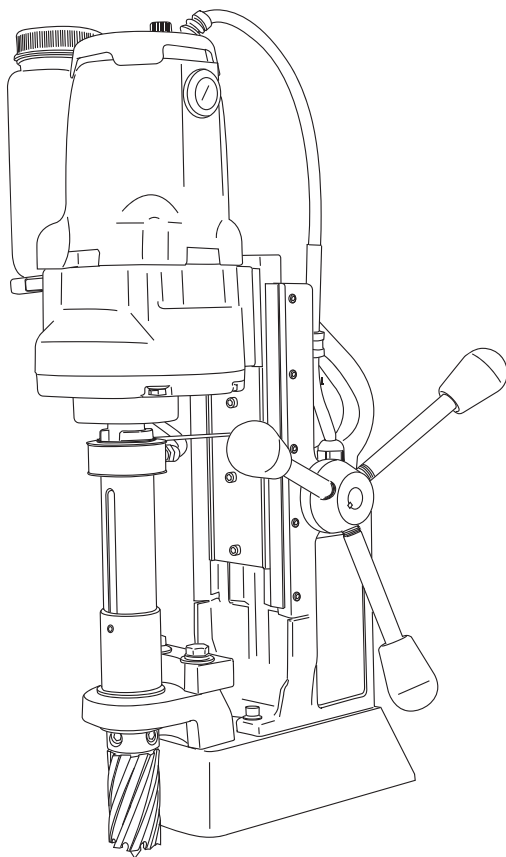




HMD914 SERIES PORTABLE MAGNETIC DRILLS

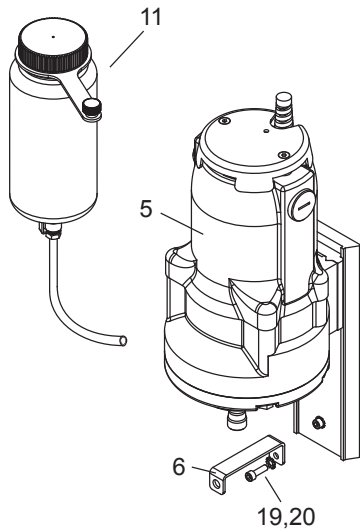
COVERS DRILL PART NUMBERS 0914104, 0914202, 0914204, 0914302,
0914304, 0914402 & 0914404



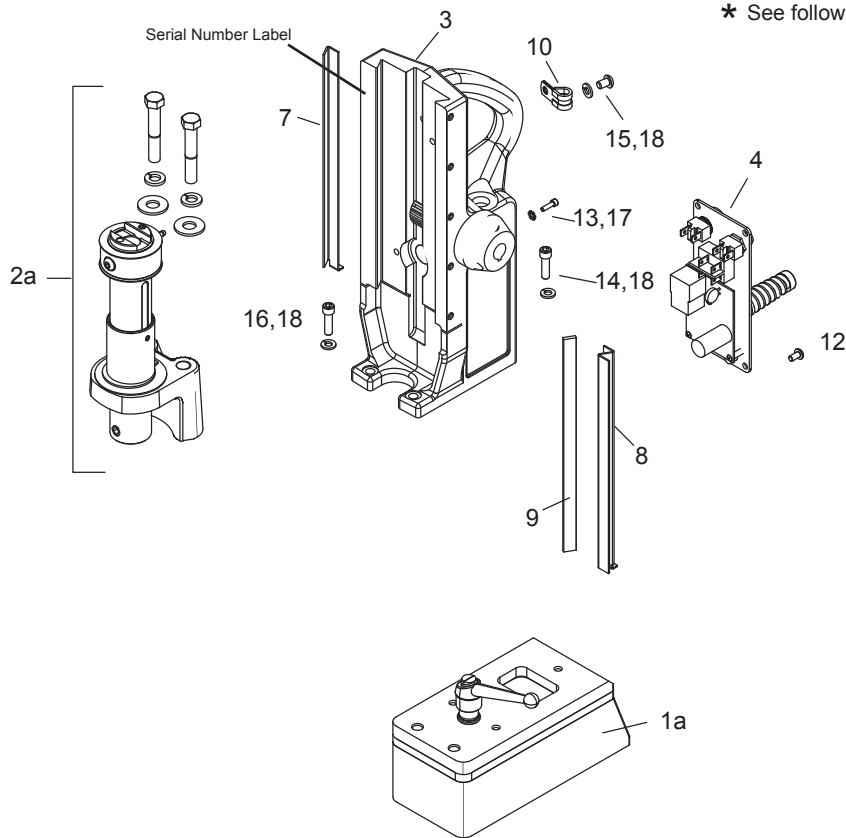
FOR USE WITH "12,000-SERIES" HOUGEN[®] CUTTERS

0914104 HMD914 Magnet Base Drill (115v Swivel Base)

Item	Qty	Part No.	Description
1a	1	*05969	Magnet / Switch Assembly 115v (0914104)
2a	1	*05935	Arbor / Front Support Brkt Assembly 115v (0914104)
3	1	*07337	Drill Housing Assembly
4	1	*05188	Control Panel Assembly
5	1	*05976	Motor / Slide Assembly (115 volt)
6	1	05979	Coolant Inducer Bracket
7	1	05980	Brass Gib (right side)
8	1	05981	Brass Gib (left side)
9	1	05982	Steel Gib
10	1	02420	Cable Clamp
11	1	05060	Coolant Bottle Assembly
12	4	41044	Screw BHC #10-32 X 3/8
13	1	17002	Screw SHC #6-32 X 1/2
14	1	40077	Screw SHC 1/4-20 X 1
15	1	02461	Screw BHC 1/4-20 X 3/8
16	2	10553	Screw SHC 1/4-20 X 3/8
17	1	90052	Lock Washer
18	4	90028	Lock Washer
19	1	40038	Screw SHC #10-32 X 5/8
20	1	10560	Lock Washer



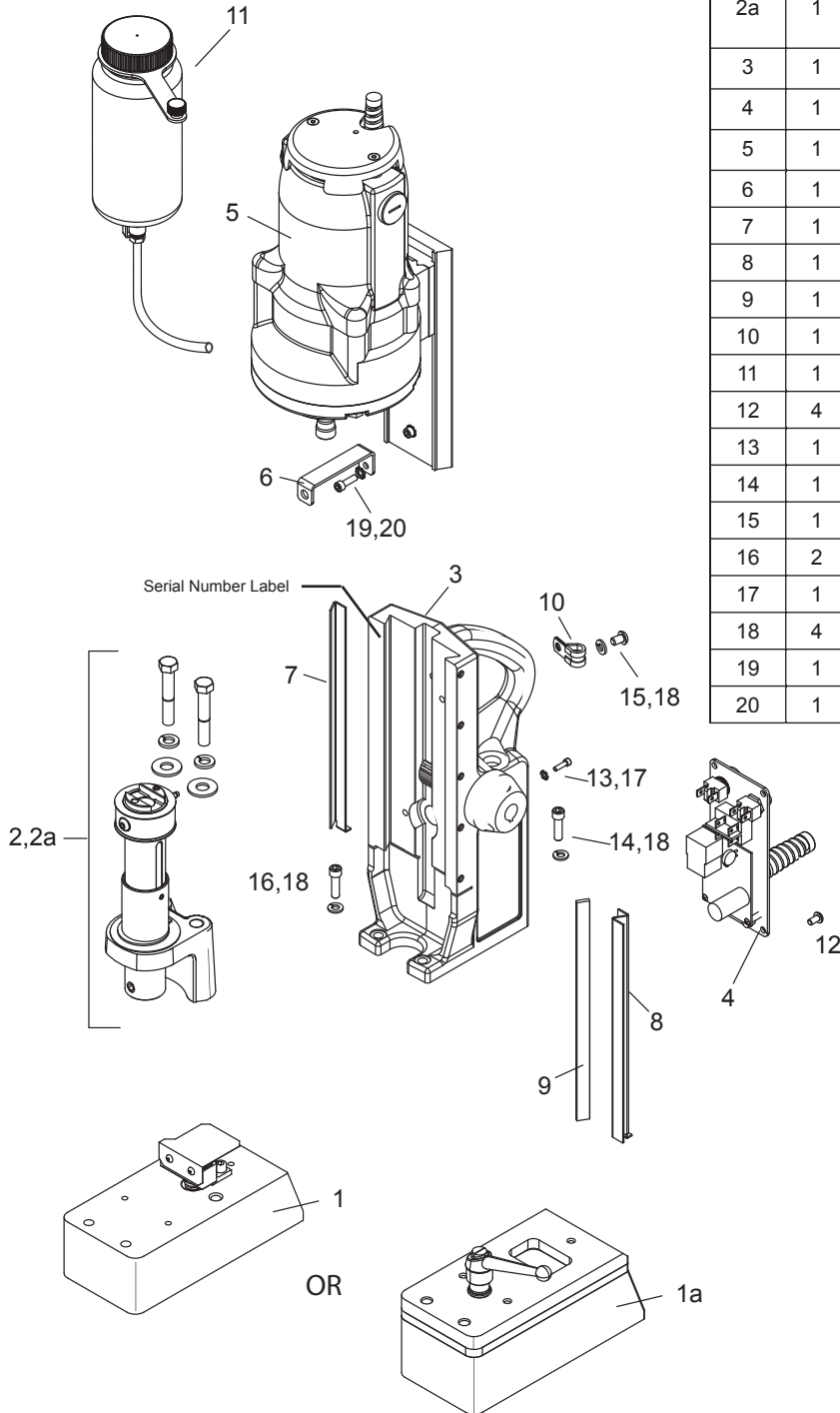
* See following pages for Assembly Breakdowns.



0914202 HMD914 Magnet Base Drill (230v Standard Base)
0914204 HMD914 Magnet Base Drill (230v Swivel Base)
0914402 HMD914 Magnet Base Drill (230v Standard Base, No Plug)
0914404 HMD914 Magnet Base Drill (230v Swivel Base, No Plug)

Item	Qty	Part No.	Description
1	1	*07066	Magnet / Switch Assembly 230v, 0914202 & 0914402
1a	1	*05984	Magnet / Switch Assembly 230v swivel, 0914204 & 0914404
2	1	*07074	Arbor / Front Support Brkt Assembly 0914202 & 0914402
2a	1	*05935	Arbor / Front Support Brkt Assembly Swivel, 0914204 & 0914404
3	1	*07073	Drill Housing Assembly
4	1	*07067	Control Panel Assembly
5	1	*05987	Motor / Slide Assembly (230 volt)
6	1	05979	Coolant Inducer Bracket
7	1	05980	Brass Gib (right side)
8	1	05981	Brass Gib (left side)
9	1	05982	Steel Gib
10	1	02420	Cable Clamp
11	1	05060	Coolant Bottle Assembly
12	4	41044	Screw BHC #10-32 X 3/8
13	1	17002	Screw SHC #6-32 X 1/2
14	1	40077	Screw SHC 1/4-20 X 1
15	1	02461	Screw BHC 1/4-20 X 3/8
16	2	10553	Screw SHC 1/4-20 X 3/8
17	1	90052	Lock Washer
18	4	90028	Lock Washer
19	1	40038	Screw SHC #10-32 X 5/8
20	1	10560	Lock Washer

* See following pages for Assembly Breakdowns.



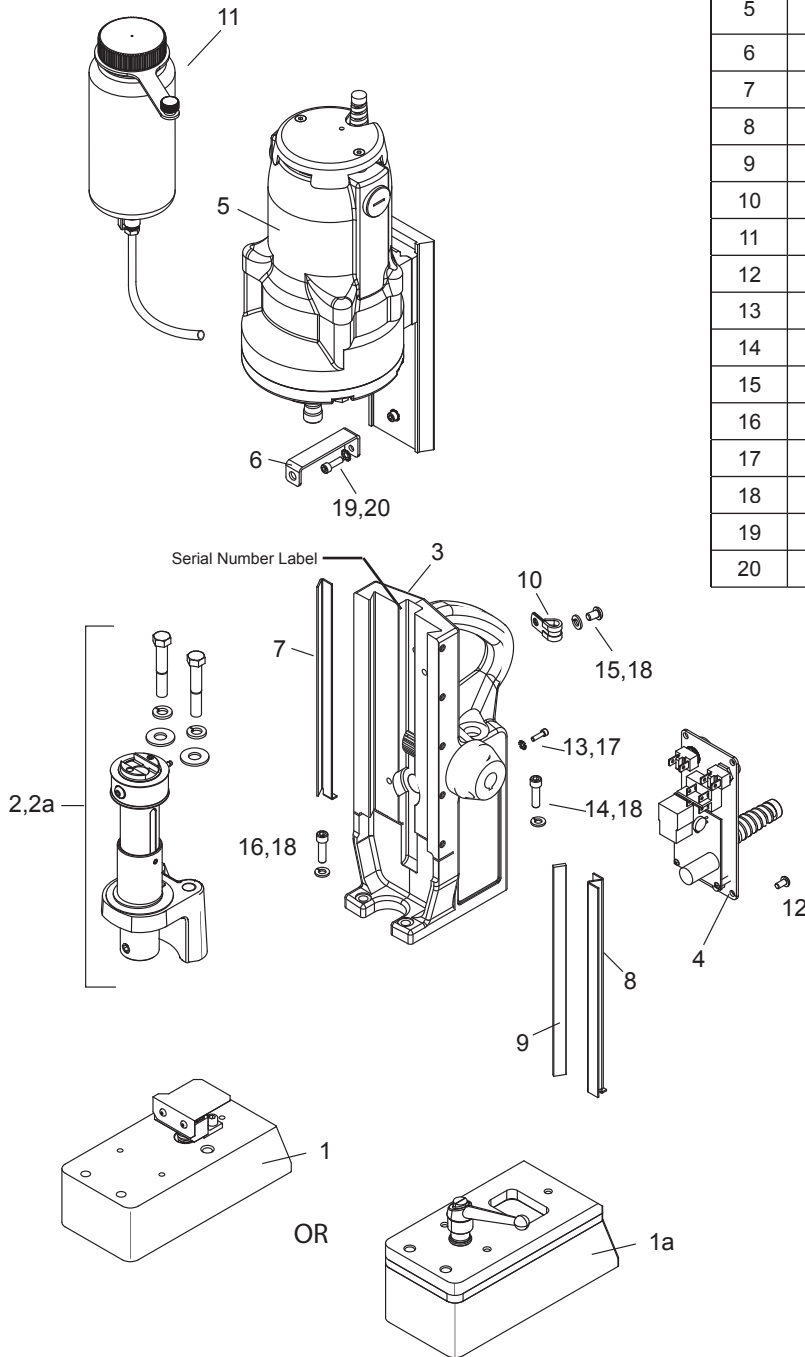
The **0914402 & 0914404** is assembled without an electrical plug at the end of the power cord.

0914302 HMD914 Magnet Base Drill (230v Standard Base, Type I Plug)

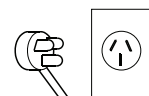
0914304 HMD914 Magnet Base Drill (230v Swivel Base, Type I Plug)

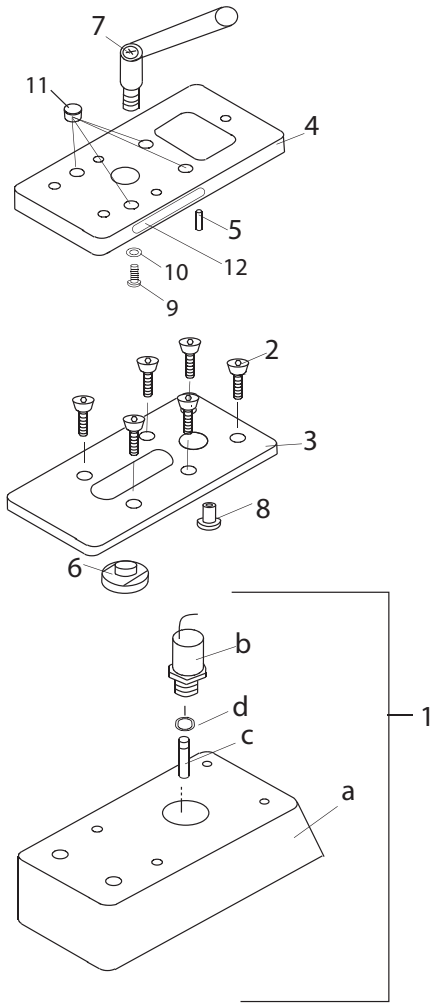
Item	Qty	Part No.	Description
1	1	*07066	Magnet / Switch Assembly 230v standard base, 0914302
1a	1	*05984	Magnet / Switch Assembly 230v swivel base, 0914304
2	1	*07074	Arbor / Front Support Brkt Assembly standard base, 0914302
2a	1	*05935	Arbor / Front Support Brkt Assembly swivel base, 0914304
3	1	*07073	Drill Housing Assembly
4	1	*05942	Control Panel Assembly (AUS)
5	1	*05987	Motor / Slide Assembly
6	1	05979	Coolant Inducer Bracket
7	1	05980	Brass Gib (right side)
8	1	05981	Brass Gib (left side)
9	1	05982	Steel Gib
10	1	02420	Cable Clamp
11	1	05060	Coolant Bottle Assembly
12	4	41044	Screw BHC #10-32 X 3/8
13	1	17002	Screw SHC #6-32 X 1/2
14	1	40077	Screw SHC 1/4-20 X 1
15	1	02461	Screw BHC 1/4-20 X 3/8
16	2	10553	Screw SHC 1/4-20 X 3/8
17	1	90052	Lock Washer
18	4	90028	Lock Washer
19	1	40038	Screw SHC #10-32 X 5/8
20	1	10560	Lock Washer

* See following pages for Assembly Breakdowns.



This machine is assembled with a Type "I" plug.





Swivel Base Magnet Assembly

05969 Swivel Magnet Assembly 115v (includes 1-12)

0914104

1	05970	Magnet/Safety Switch Assembly 115v, 0914104 (includes a-d)	1
a	05971	Magnet Assembly 115v, 0914104	1
b	05652	Ball Switch Assembly	1
c	05975	Plunger	1
d	05670	Retain. Ring	1

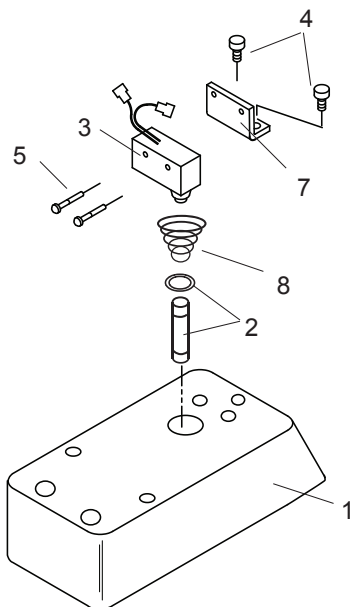
05984 Swivel Magnet Assembly 230v (includes 1-12)

0914204, 0914304, 0914404

1	05985	Magnet/Safety Switch Assem- bly 230v, 0914204, 304, 404 (includes a-d)	1
a	05986	Magnet Assembly 230v, 0914204, 304, 404.	1
b	05652	Ball Switch Assembly	1
c	05975	Plunger	1
d	05670	Retain. Ring	1

Shared Components

2	05743	Screw FHC 1/4-20 X 3/4	6
3	05973	Slide Housing	1
4	05974	Swivel Housing	1
5	02898	Dowel Pin	1
6	05658	Pivot Rod	1
7	05659	Clamp Handle Assembly	1
8	07215	Bushing Flange	1
9	41044	Screw BHC #10-32 X 3/8	1
10	90237	Flat Washer #10	1
11	07216	9/16 Hole Plug	4
12	07230	Safety Label	1



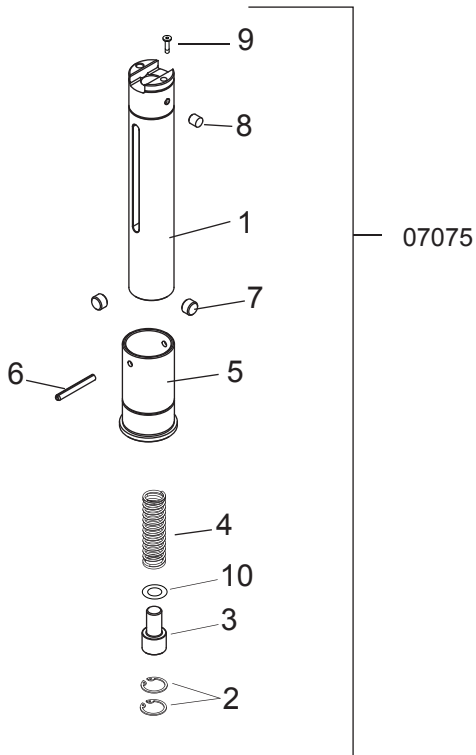
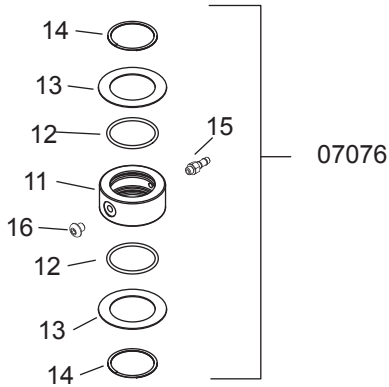
Standard Base Magnet Assembly

07066 230v Assembly (includes items 1-8)

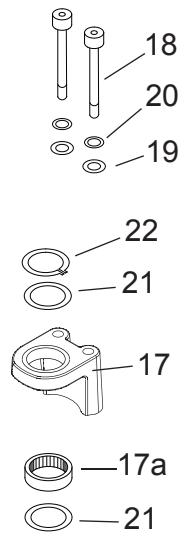
0914202, 0914302, 0914402

Item	Qty	Part No.	Description
1	1	07065	Magnet Assembly (230v)
2	1	04961	Plunger Assembly
3	1	04885	Microswitch Assembly
4	2	10971	SCR-SHC 1/4-20 X 1/2
5	2	10972	SCR-BHC #6-40 X 3/4
7	1	04909	Safety Switch Bracket
8	1	17271	Spring

07074 Arbor Assembly with Coolant Inducer 0914202, 0914302 & 0914402

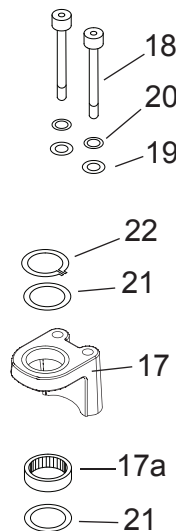
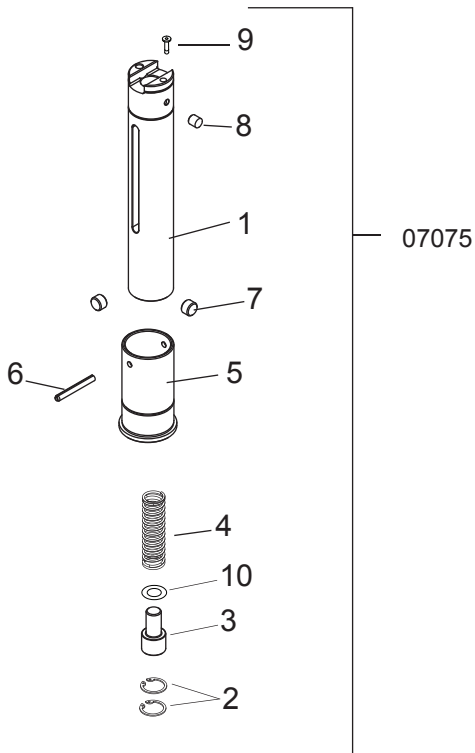
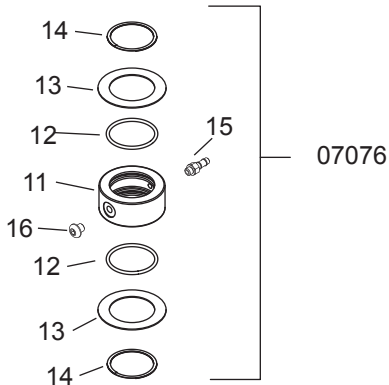


07075 Arbor Body Assembly			
Item	Qty.	Part No.	Description
1	1	07077	Arbor Body
2	2	10517	Retaining Ring
3	1	07079	Spring Seat
4	1	05049	Spring
5	1	40223	Ejection Collar
6	1	40312	Roll Pin
7	2	40222	Set Screws 7/16-14 X .305
8	1	40256	Set Screw 5/16-18 X .38
9	1	40344	.31 Diameter Rivet
10	1	07436	Rubber Washer
07076 Coolant Inducer Assembly			
Item	Qty.	Part No.	Description
11	1	07078	Inducing Ring
12	2	40300	O-Ring 1-3/8x1-9/16x3/32
13	2	40301	Thrust Washer
14	2	40302	Retainer Ring
15	1	07080	Hose Fitting
16	1	07082	Screw - BHC 1/4-28 X 1/4
Individual Components			
17	1	07141	Front Support Bracket w/bearing
17a	1	40232	Front Support Bracket Bearing
18	2	40594	Bolt 3/8-24 X 3
19	2	40392	Flat Washer
20	2	40391	Lock Washer
21	2	40234	Thrust Washer



05935 Arbor Assembly with Coolant Inducer
0914104, 0914204, 0914304 & 0914404

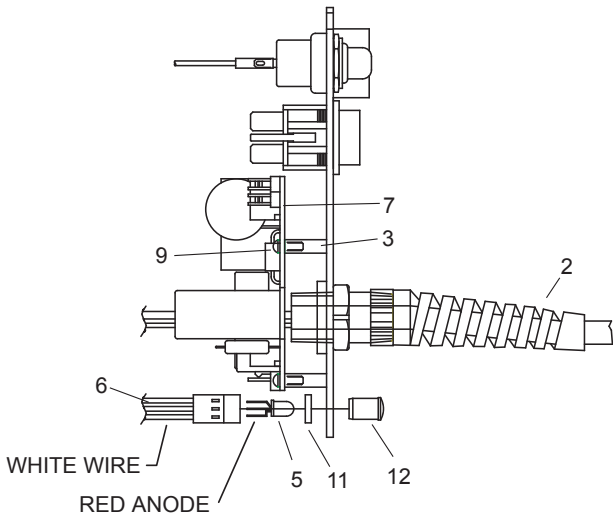
07075 Arbor Body Assembly			
Item	Qty.	Part No.	Description
1	1	07077	Arbor Body
2	2	10517	Retaining Ring
3	1	07079	Spring Seat
4	1	05049	Spring
5	1	40223	Ejection Collar
6	1	40312	Roll Pin
7	2	40222	Set Screws 7/16-14 X .305
8	1	40256	Set Screw 5/16-18 X .38
9	1	40344	.31 Diameer Rivet
10	1	07436	Rubber Washer
07076 Coolant Inducer Assembly			
Item	Qty.	Part No.	Description
11	1	07078	Inducing Ring
12	2	40300	O-Ring 1-3/8x1-9/16x3/32
13	2	40301	Thrust Washer
14	2	40302	Retainer Ring
15	1	07080	Hose Fitting
16	1	07082	Screw - BHC 1/4-28 X 1/4
Individual Components			
17	1	07147	Front Support Bracket w/bearing
17a	1	40232	Front Support Bracket Bearing
18	2	07088	Bolt 3/8-24 X 2-1/4
19	2	40392	Flat Washer
20	2	40391	Lock Washer
21	2	40234	Thrust Washer
22	1	40398	Retaining Ring



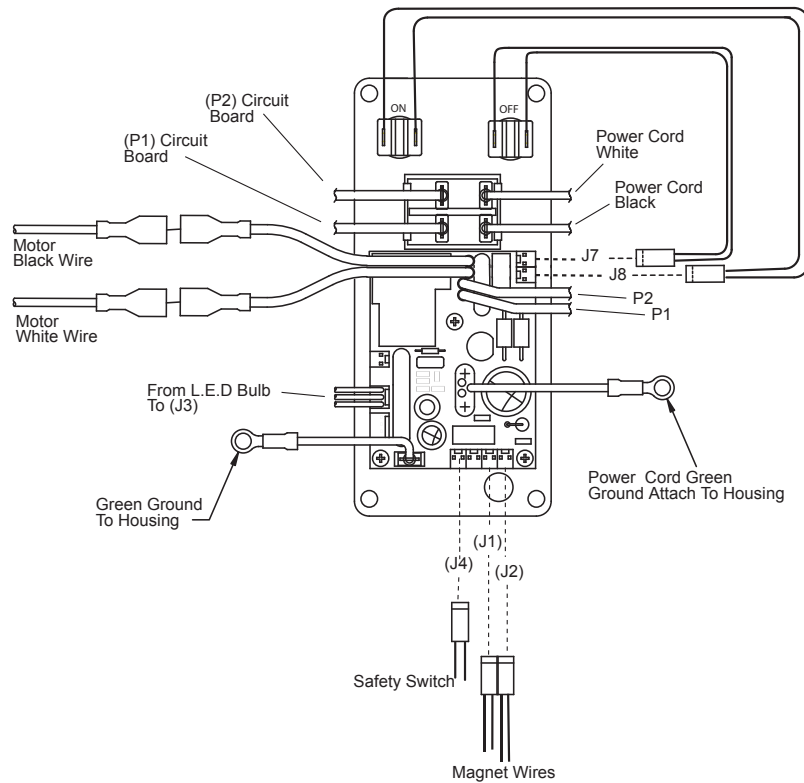
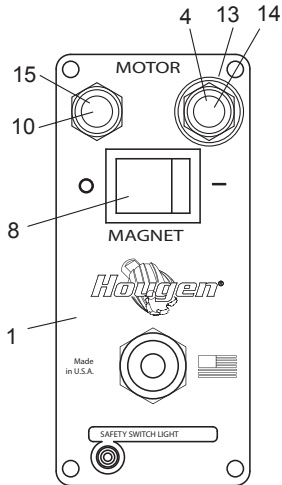
115 volt Control Panel Assembly

05188 115v Control Panel 0914104

Item	Qty	Part No.	Description
1	1	07011	Faceplate
2	1	90571	Power Cord Assembly (115 volt)
3	3	02548	Stand Off 3/16 X 9/16
4	1	01334	Motor ON Switch
5	1	04881	L.E.D Bulb
6	1	04877	Wire Harness L.E.D
7	1	05826	Circuit Board (120 volt)
8	1	04614	Magnet Switch
9	3	02547	Screw #4-40 X 5/16
10	1	01335	Motor OFF Switch
11	1	04878	Spacer
12	1	04879	Clear Lens
13	1	01226	Switch Guard
14	1	02409	Green Switch Cover
15	1	01228	Red Switch Cover
	1	05205	Green Wire Harness (not shown)



NOTE: WHEN INSERTING L.E.D. DETAIL#5 INTO HARNESS DETAIL#2 MAKE SURE FLAT ON BULB LINES UP WITH WHITE WIRE ON HARNESS.



230 volt Control Panel Assemblies

07067 230v Control Panel 0914202, 204, 402 & 404

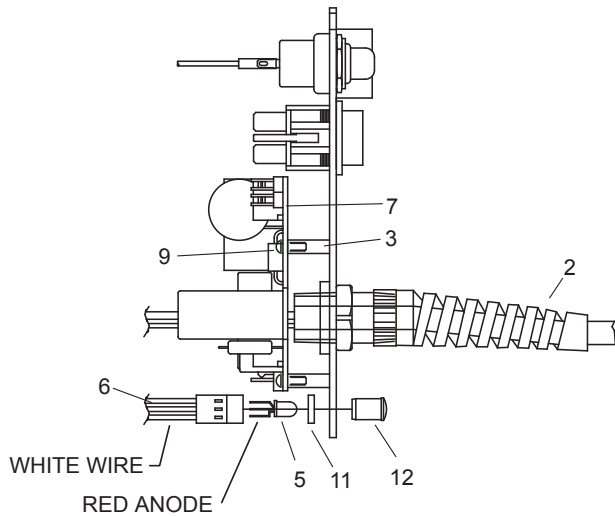
Item	Qty	Part No.	Description
1	1	07011	Faceplate
2	1	07299	Power Cord Assembly

05942 230v Control Panel 0914302 & 0914304

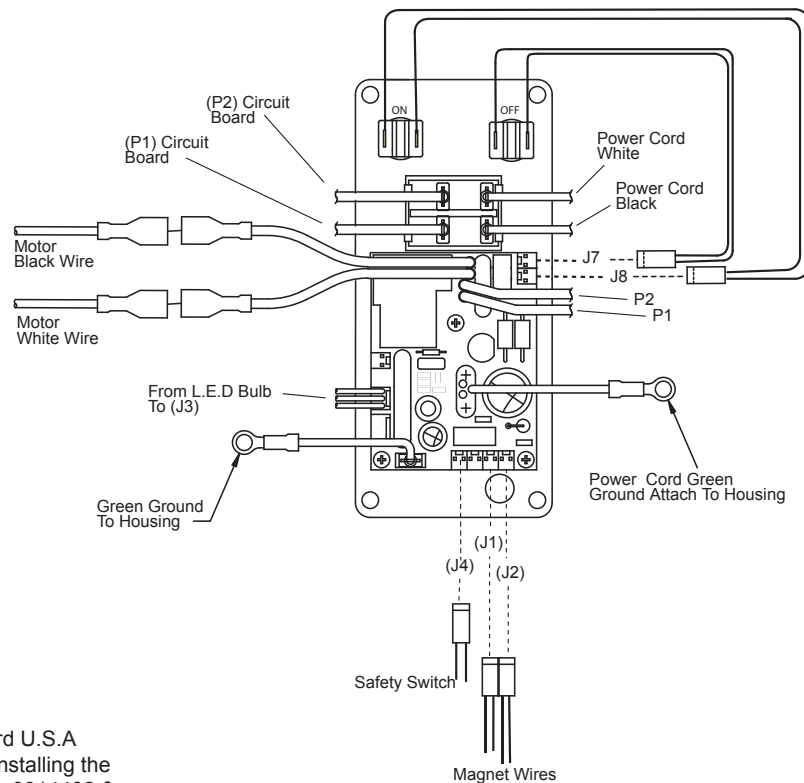
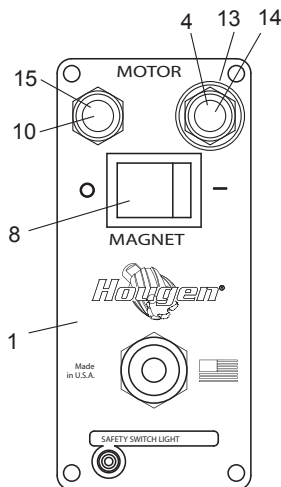
1	1	05829	Faceplate
2	1	04498	Power Cord Assembly

Shared Components

3	3	02548	Stand Off 3/16 X 9/16
4	1	01334	Motor ON Switch
5	1	04881	L.E.D Bulb
6	1	04877	Wire Harness L.E.D
7	1	05827	Circuit Board (240 volt)
8	1	04664	Magnet Switch
9	3	02547	Screw #4-40 X 5/16
10	1	01335	Motor OFF Switch
11	1	04878	Spacer
12	1	04879	Clear Lens
13	1	01226	Switch Guard
14	1	02409	Green Switch Cover
15	1	01228	Red Switch Cover
	1	05205	Green Wire Harness (not shown)



NOTE: WHEN INSERTING L.E.D. DETAIL#5 INTO HARNESS DETAIL#2 MAKE SURE FLAT ON BULB LINES UP WITH WHITE WIRE ON HARNESS.



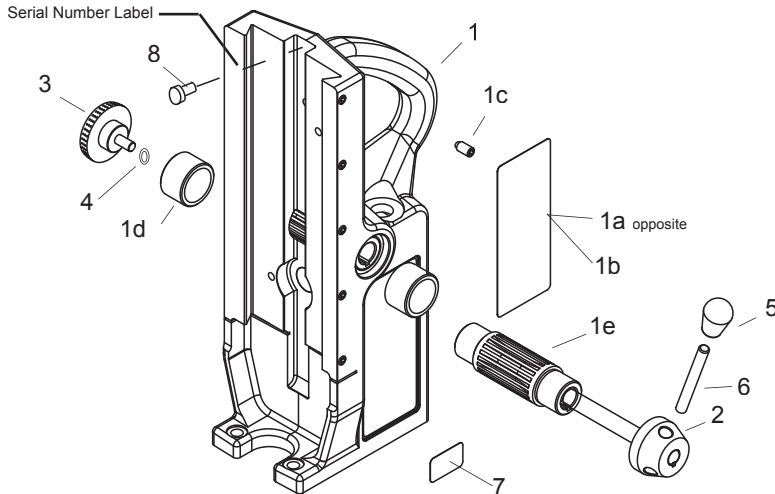
The **07067 & 07299** is assembled with a standard U.S.A 230v Plug at the end of the Power Cord. When installing the 07067 Control Panel or 07299 Power Cord into a 0914402 & 0914404 this plug will need to be changed.

07337 Drill Housing Assembly

Use with the 115 volt machines

Item	Qty	Part No.	Description
1	1	07336	Drill Housing (includes 1-1e)
1a	1	07038	Safety Label
1b	1	07035	115 volt Label
1c	5	40237	Set Screw 1/4-28 X 1/2
1d	2	40231	Bronze Bushing
1e	1	40229	Feed Gear
2	1	40254	Feed Hub Assembly
3	1	05839	Rubber KNOB
4	1	10679	Washer-Flat 1/4 type A
5	3	*04532	Feed Handle Knobs
6	3	*10569	Feed Handles
7	1	07015	Swivel Label (Swivel Drills Only)
8	1	10648	Screw SHC #10-32 X 1/2

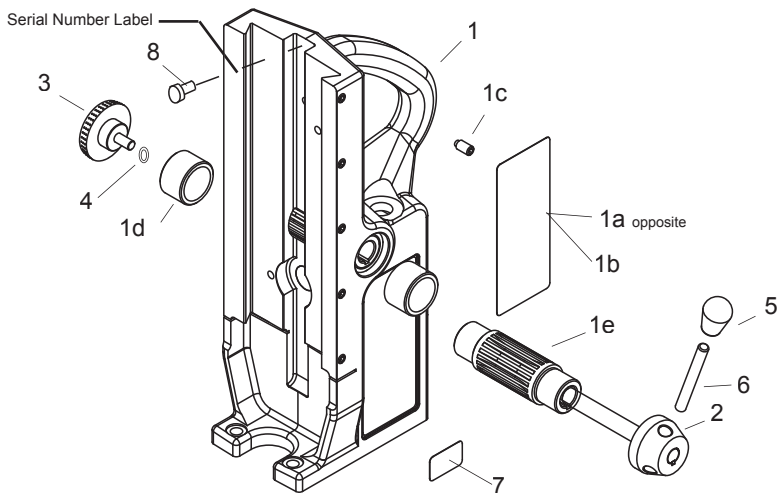
* Not Supplied with Housing Assembly



07073 Drill Housing Assembly

Use with the 230 volt machines

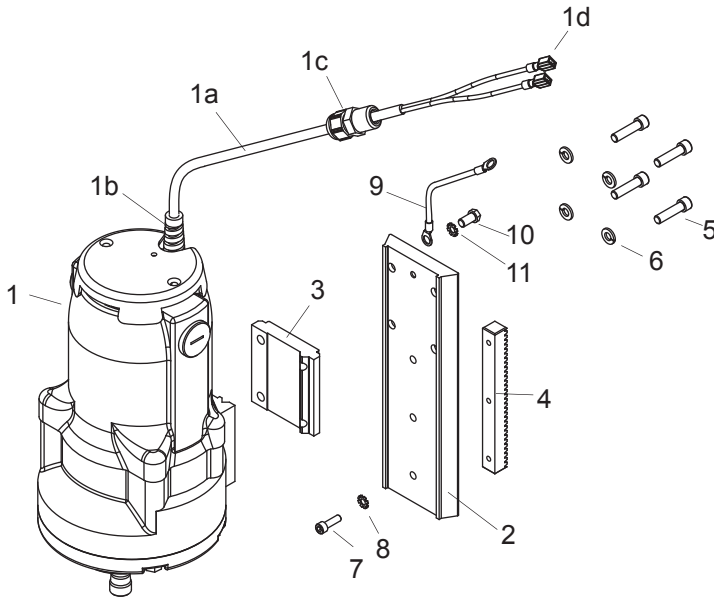
Item	Qty	Part No.	Description
1	1	07072	Drill Housing (includes 1-1e)
1a	1	07038	Safety Label
1b	1	07037	230 volt Label
1c	5	40237	Set Screw 1/4-28 X 1/2
1d	2	40231	Bronze Bushing
1e	1	40229	Feed Gear
2	1	40254	Feed Hub Assembly
3	1	05839	Rubber KNOB
4	1	10679	Washer-Flat 1/4 type A
5	3	04532	Feed Handle Knobs
6	3	10569	Feed Handles
7	1	07015	Swivel Label (Swivel Drills Only)
8	1	10648	Screw SHC #10-32 X 1/2



05976 Motor / Slide Assembly 0914104

Item	Qty	Part No.	Description
1	1	05983	Motor Assembly (115 volt) includes 1a-1d
1a	1	40258	Motor Cord
1b	1	40445	Strain Relief
1c	1	02411	Strain Relief
1d	2	90019	16-14GA.Female Terminal
2	1	05977	Slide Assembly
3	1	05978	Spacer
4	1	02428	Rack Gear
5	4	01121	Screw SHC 1/4-28 X 1-1/4
6	4	90028	Lock Washer
7	3	40038	Screw SHC #10-32 X 5/8
8	3	10560	Lock Washer
9	1	40464	Ground Strap
10	1	40465	Hex Bolt 1/4-20 X 1/2
11	1	90065	Lock Washer

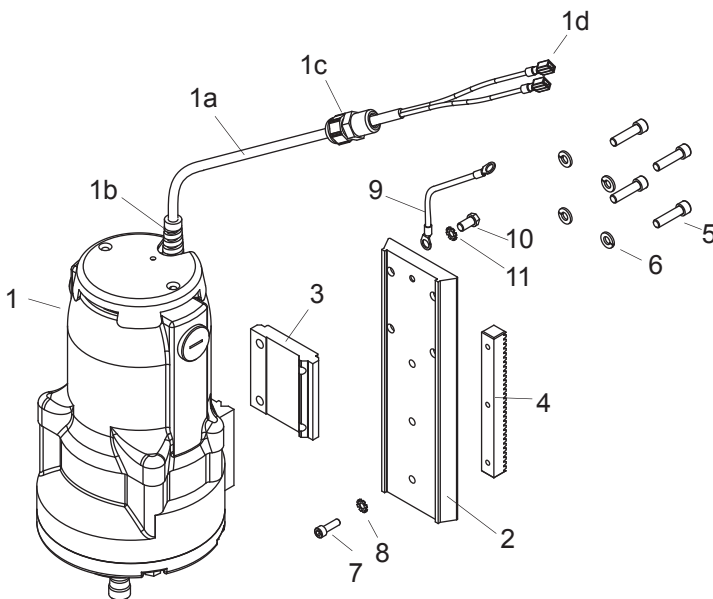
Refer to the Motor Parts List for individual components

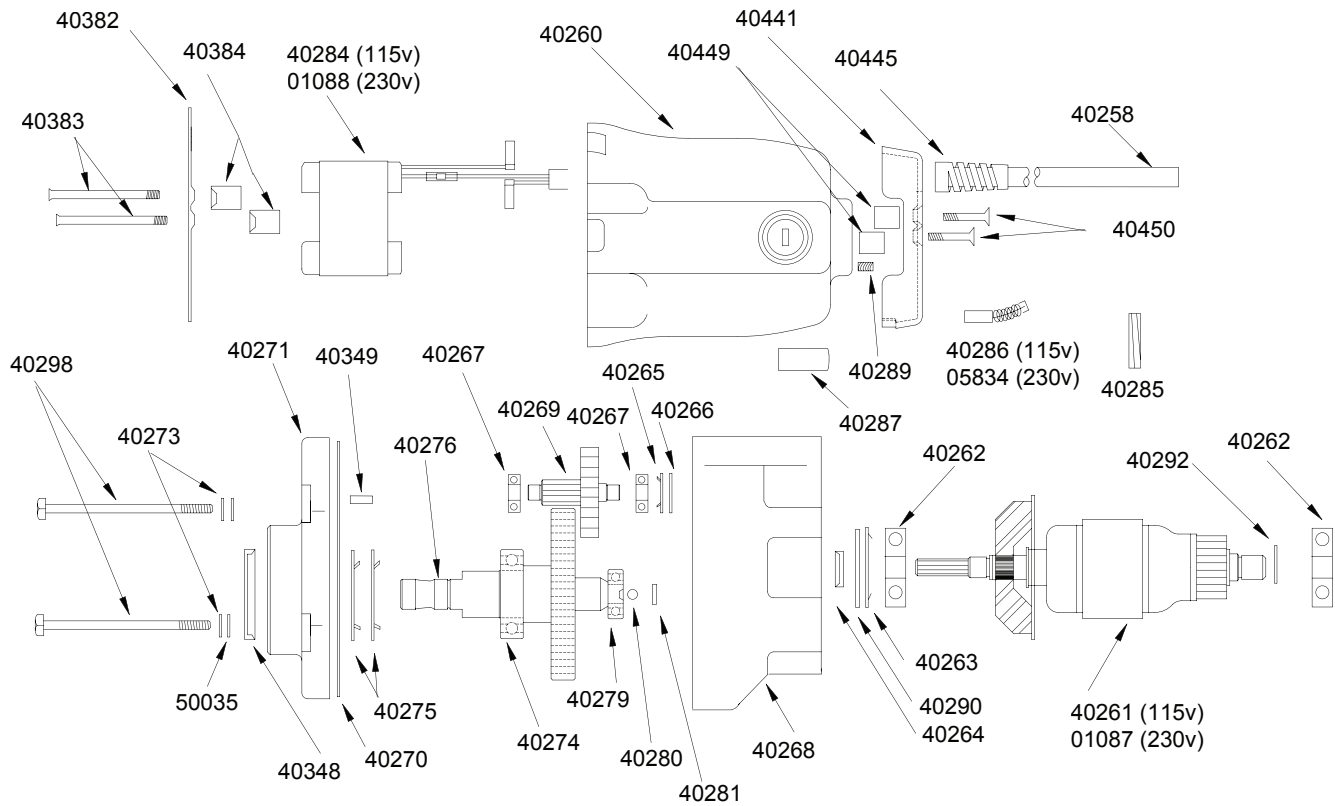


05987 Motor / Slide Assembly 0914202, 0914204, 0914302, 0914304, 0914402 & 0914404

Item	Qty	Part No.	Description
1	1	05593	Motor Assembly (230 volt) includes 1a-1d
1a	1	40258	Motor Cord
1b	1	40445	Strain Relief
1c	1	02411	Strain Relief
1d	2	90019	16-14GA.Female Terminal
2	1	05977	Slide Assembly
3	1	05978	Spacer
4	1	02428	Rack Gear
5	4	01121	Screw SHC 1/4-28 X 1-1/4
6	4	90028	Lock Washer
7	3	40038	Screw SHC #10-32 X 5/8
8	3	10560	Lock Washer
9	1	40464	Ground Strap
10	1	40465	Hex Bolt 1/4-20 X 1/2
11	1	90065	Lock Washer

Refer to the Motor Parts List for individual components





Motor Parts List					
Item	Qty	Description	Item	Qty	Description
01087	1	Armature Assy. (230 volt)	40285	2	Brush Plug
01088	1	Field Assembly (230 volt)	05834	1	Brushes (pair) 230 volt
40258	1	Motor Cord Assembly	40286	1	Brushes (pair) 115 volt
40260	1	Motor Housing	40287	2	Brush Holder
40261	1	Armature Assy. (115 volt)	40284	1	Field Assembly (115 volt)
40262	1	Bearing	40289	2	Screw #10-32 X 1/4
40263	1	Flat Spring	40290	1	Washer
40264	1	Seal	40292	1	Retaining Ring
40265	1	Flat Spring	40298	4	Screw 1/4-20 X 3-1/2
40266	1	Washer	40378	1	Seal
40267	2	Bearing	40349	1	Plug
40268	1	Gear Housing	40350	1	Syntech Grease 8 oz.
40269	1	Gear Cluster	40382	1	Baffle
40270	1	Gasket	40383	2	Screw #10-32
40271	1	Gear Housing Cap	40384	2	Baffle Spacer
40273	4	1/4" Lock Washer	40441	1	End Cap
40274	1	Bearing	40445	1	Stain Relief
40275	2	Flat Spring	40449	2	Spacer
40276	1	Output Gear w/bearing	40450	2	Screw #10-32 X 1
40281	1	Motor Slug			