



Parts Catalog

HTC 1500iXT



Grinding head connection

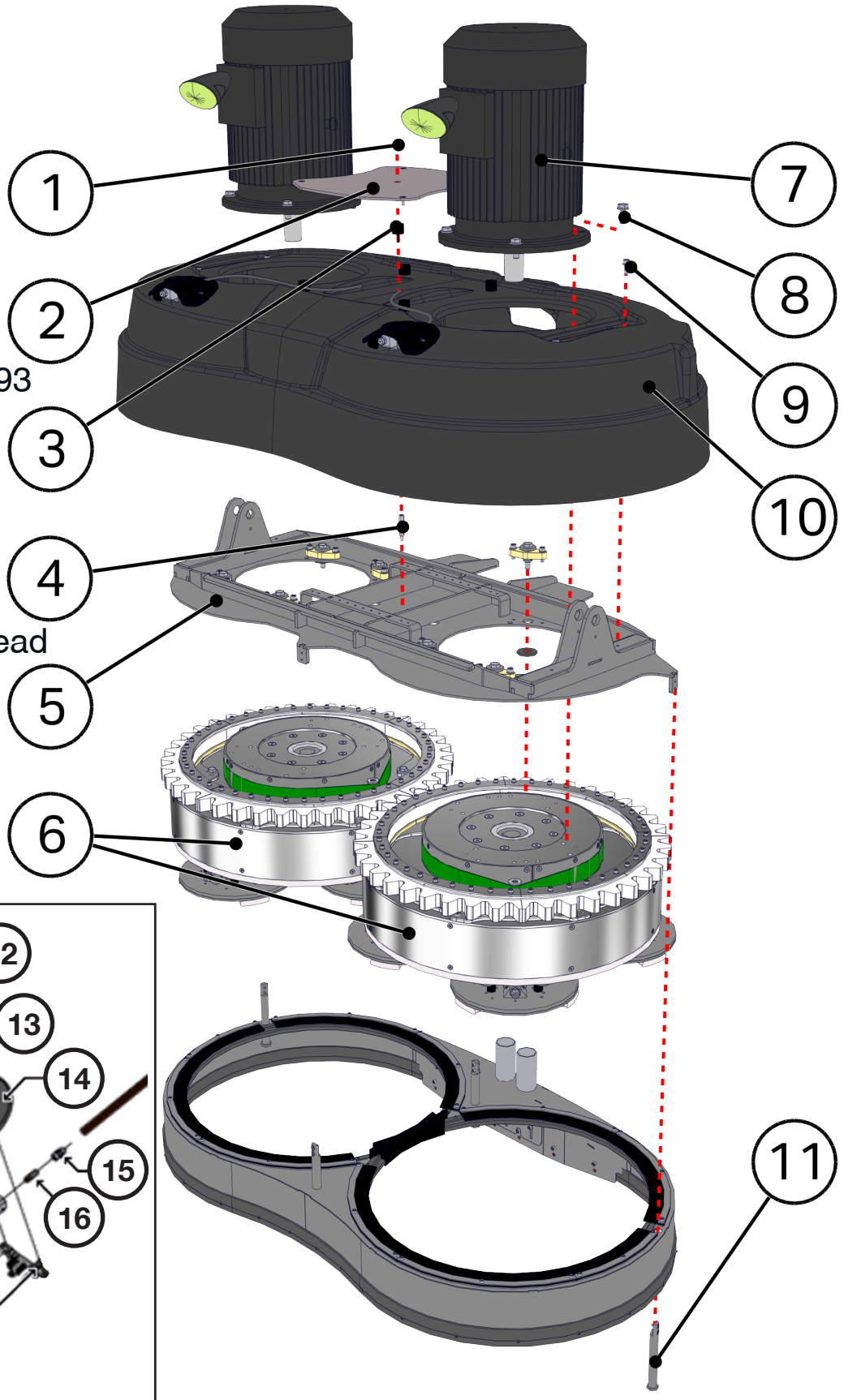
Front light
593 44 77-01

Y-Pipe 76x50x50 593
53 09-01

Actuator Vac
593 62 81-01

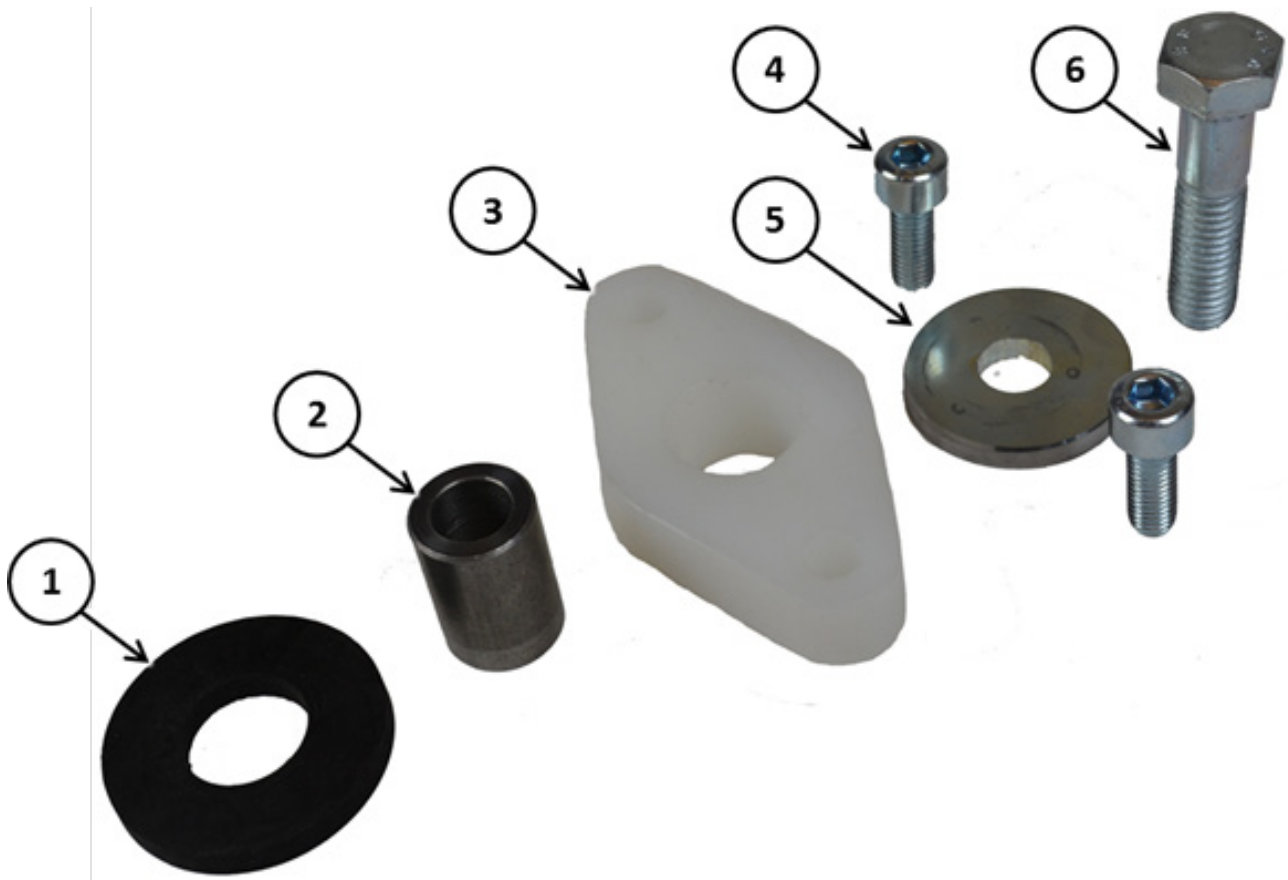
Actuator grinding head
593 44 72-01

Carbon Brush
595 63 87-01



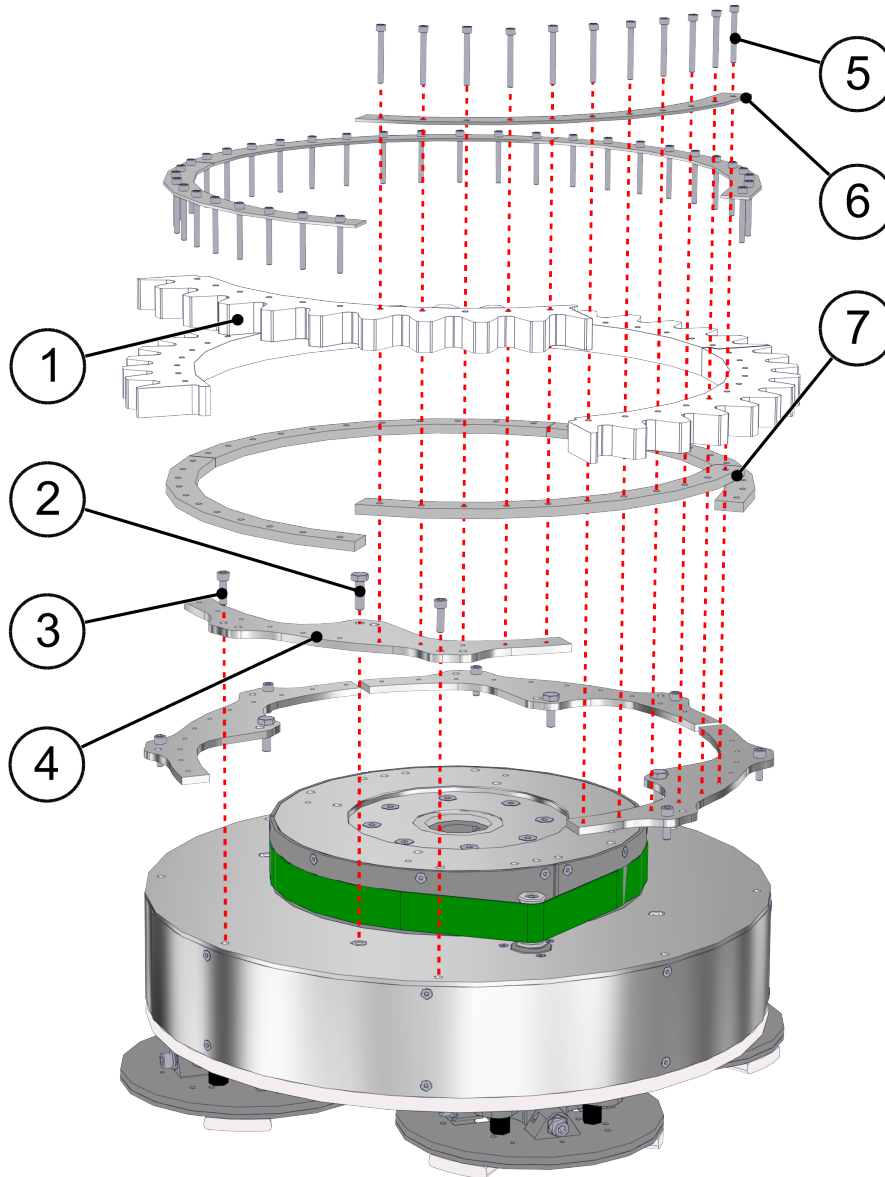
Item	Description	Part no	Qty
1	SCREW M6x16	593507801	5
2	FOOT PLATE	595689601	1
3	VIBRATION DAMPERS	593448901	5
4	SPACER SCREW	595676201	1
5	GRINDING HEAD FRAME	593515701	1
6	GRINDING HEAD	595623701	2
7	MOTOR 11Kw	595641301	2
8	SCREW M12x30	593501601	8
	WASHER M12	593499401	8
9	SCREW M8x20	593502801	4
	WASHER M8	593500401	4
10	COVER	593447101	1
11	SCREW M6x16	593507801	8
	SLIDE SHAFT	593515801	4
12	DECAL	595816401	2
13	SCREW M6x12 8.8	593497301	4
14	NOZZLE COVER	593425501	2
15	HOSE CINNECTION 1511-6/4-1/4	593426801	2
16	FILTER	593423901	2
17	SCREW M6x10	593495401	4
18	NOZZLE HOLDER	593425601	2
19	NOZZLE	593423801	2
20	POP RIVET 4.8x12.7	593500801	3
21	NOZZLE COVER BRACKET	593425701	2

Grinding head floating connection



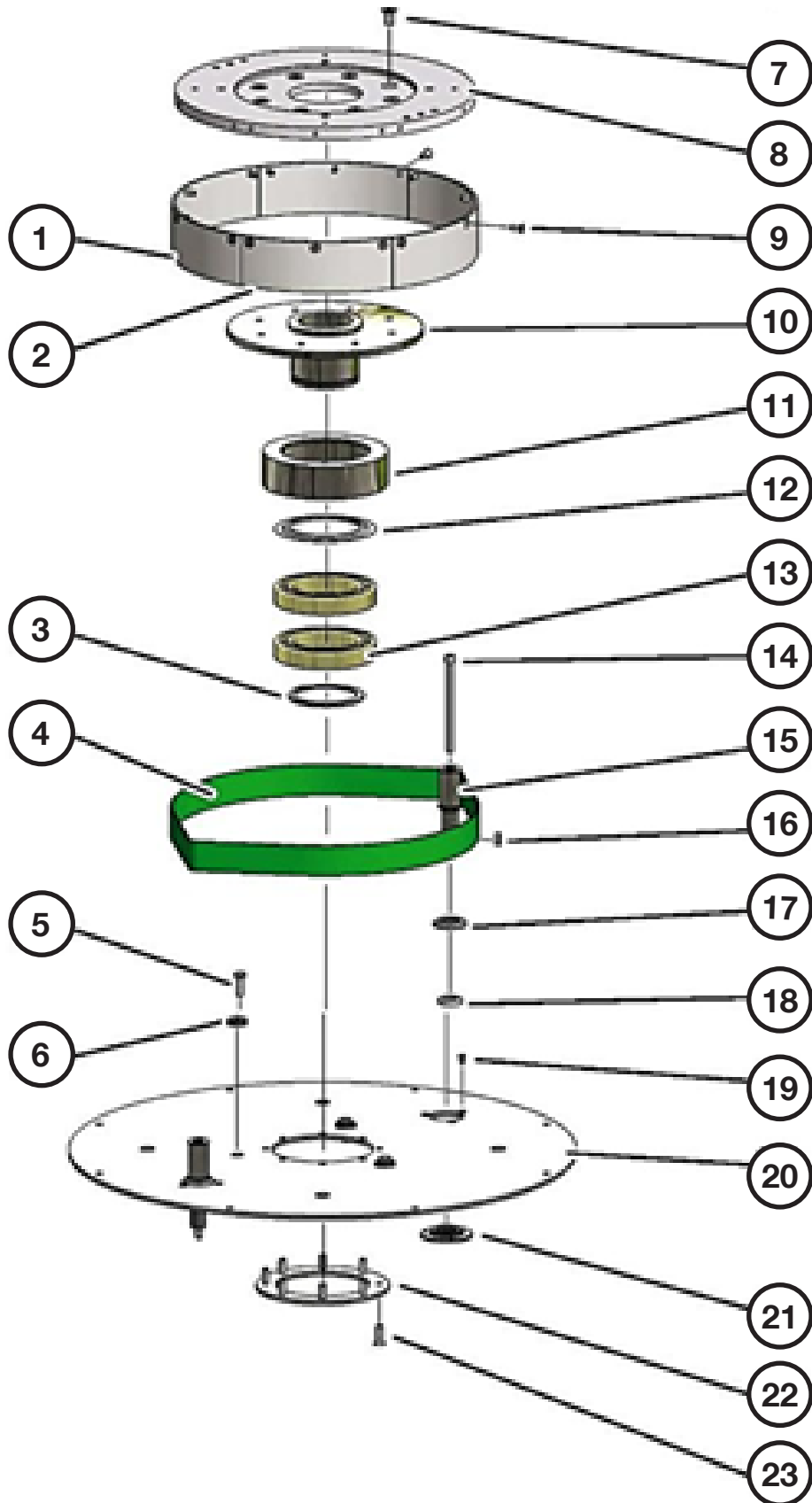
Item	Description	Part no	Qty
1	RUBBER WASHER	593521601	1
2	SLEEVE	593521401	1
3	BRACKET	593522101	1
4	SCREW M8x22	593583001	2
5	WASHER	593521501	1
6	SCREW M10x50	593499001	1

Grinding head - Timing gear



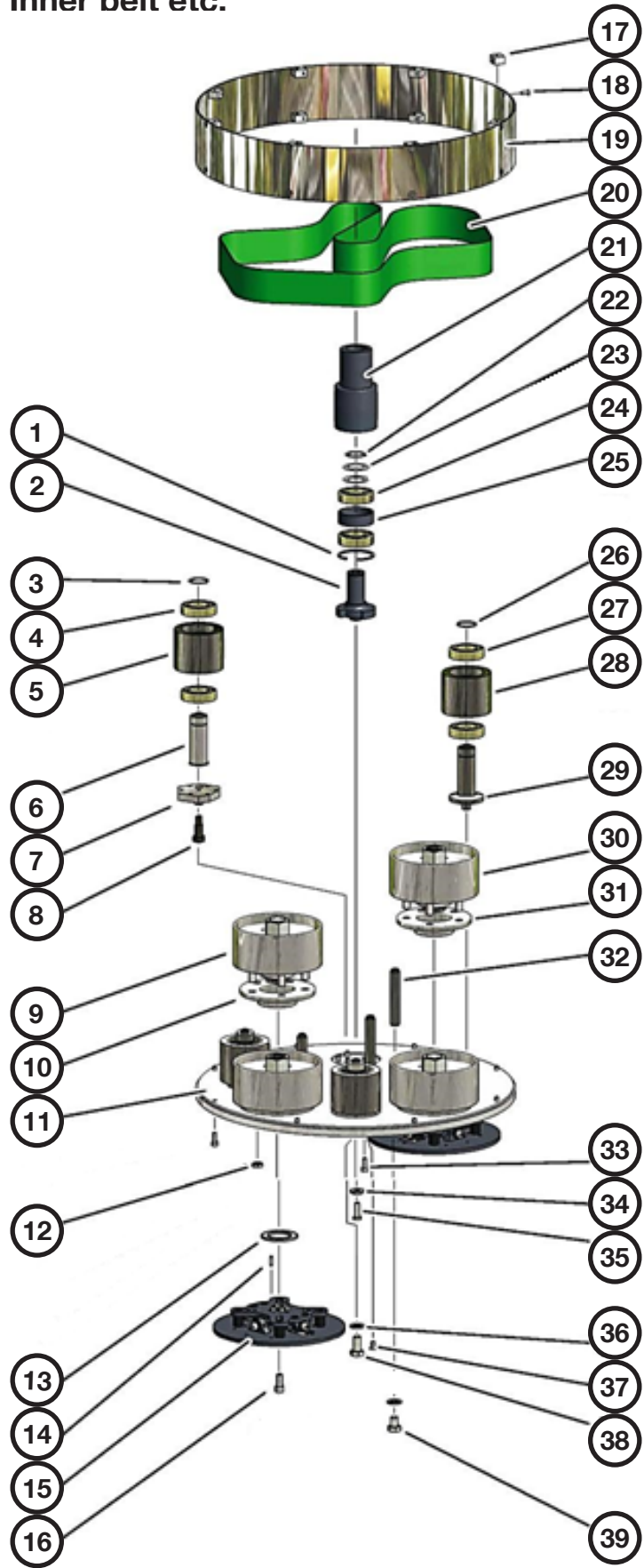
Item	Description	Part no	Qty
1	TIMING GEAR SEGMENT	593517001	4
2	SCREW M10X30	593499701	4
3	SCREW M8X25	593499601	4
4	TIMING GEAR BRACKET	595691301	4
5	SCREW M6X50	593510401	44
6	TIMING GEAR WASHER	595689001	4
7	TIMING GEAR DISTANCE	595689101	4

Grinding head - Motorplate etc

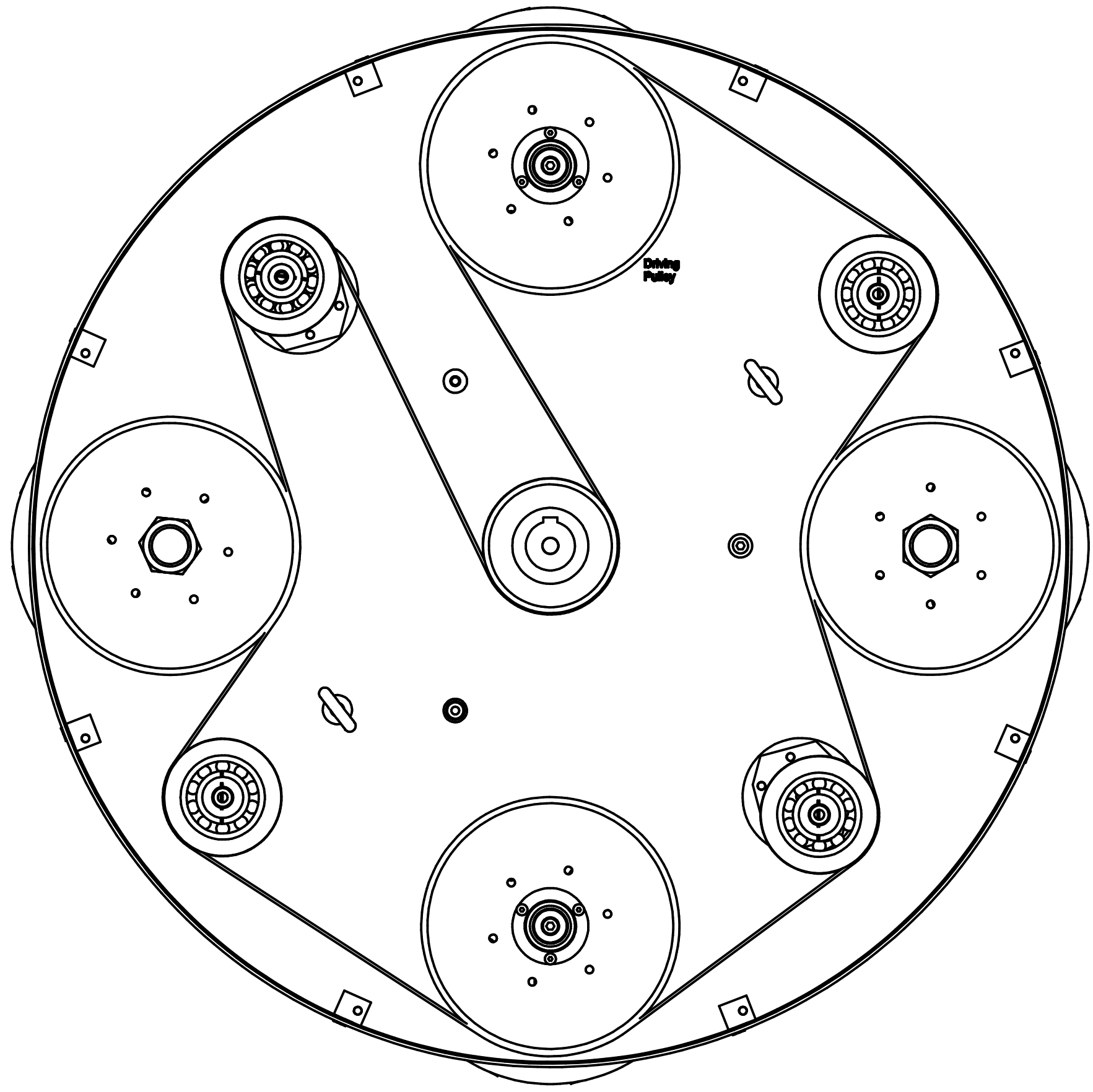


Item	Description	Part no	Qty
1	BELT RING LONG	593424201	2
2	BELT RING SHORT	593424301	2
3	CIRCLIP	593503201	1
4	UPPER BELT	593420901	1
5	SCREW M8X25	593495201	3
6	WASHER M8	593496201	3
7	SCREW M10X20	593500501	8
8	MOTOR PLATE	593415701	1
9	SCREW M6X16	593507801	14
10	HUB MOTOR PLATE	593415801	1
11	BEARING CUP	593409501	1
12	NILOS RING	593411701	1
13	BALL BEARING 6017	593411801	2
14	SCREW M8X120	593505901	2
15	AXLE JOURNAL	593410501	2
16	PARALLEL KEY	593505401	2
17	GAMMA RING	593411601	2
18	RADIAL SEAL	593411501	2
19	SCREW M5X10	593506601	6
20	UPPER PLATE	593415501	1
21	SPACER	593410301	2
22	COVER CENTER HUB	593409801	1
23	SCREW M8X25	593501701	8

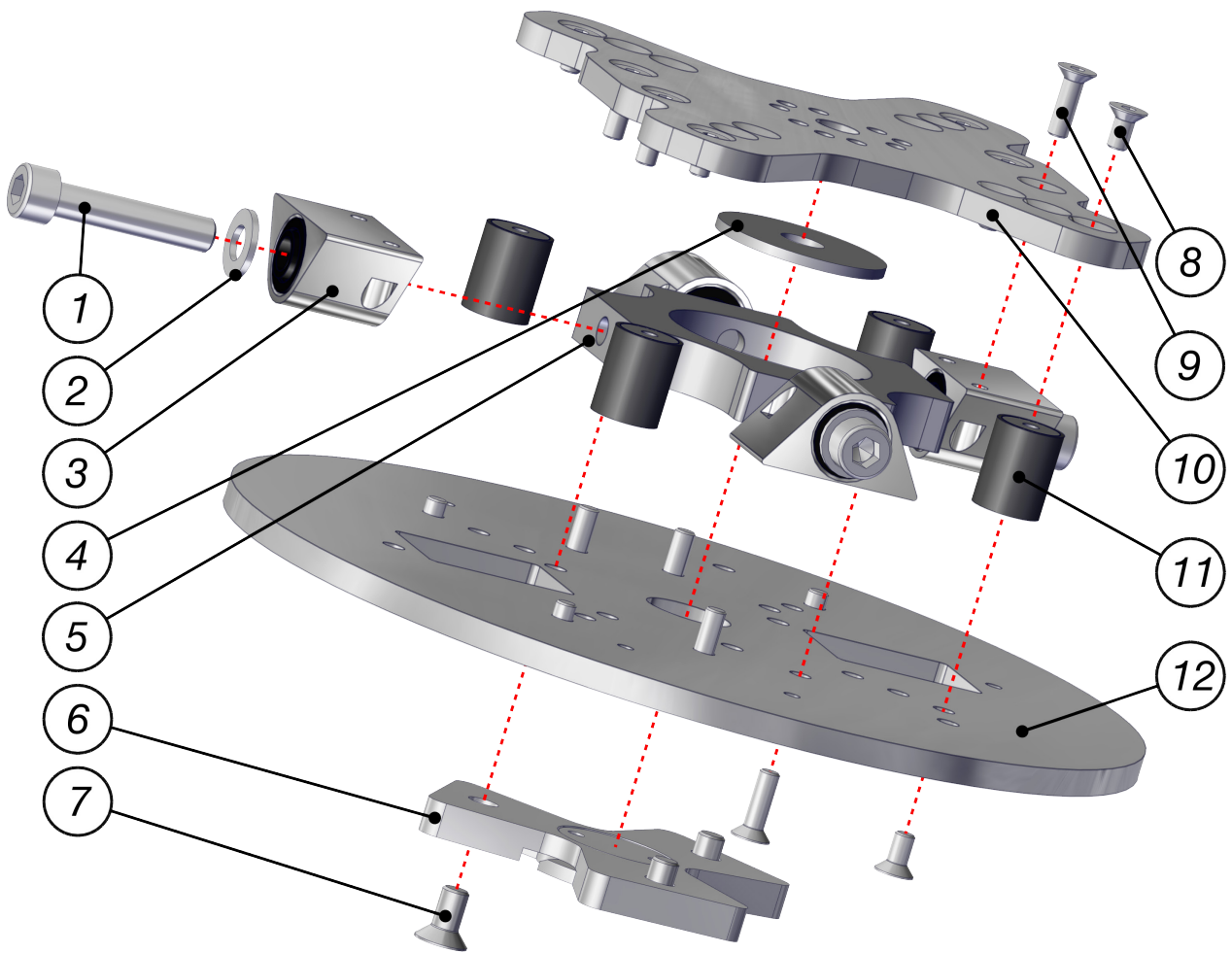
Grinding head - Inner belt etc.



Item	Description	Part no	Qty
1	CIRCLIP	593509001	1
2	AXLE CENTER PULLEY	593515601	1
3	CIRCLIP	593498101	2
4	BALL BEARING 6207	593385101	4
5	PRESS WHEEL	593410701	2
6	SHAFT TENSIONING WHEEL	593410801	2
7	TENSIONING WHEEL PLATE	593410901	2
8	SHOULDER SCREW M12x25	593503301	2
9	HUB PACKAGE NOT DRIVING INCL. - POS.60	593427101	2
10	SPACER HUB	593410101	1
11	LOWER PLATE	595687401	1
12	NUT M14	593503401	20
13	HUB SEAL	593412301	1
14	CYLINDER PIN	593498901	24
15	GRINDING HOLDER CARDAN COMPLETE	593439001	4
16	SCREW M12X25	593503601	4
17	FIXING BOSS	593410201	16
18	SCREW M6X16	593507801	16
19	EDGING STRIP	593415401	1
20	INNER BELT	593446601	1
21	CENTER PULLEY	593515401	1
22	CIRCLIP	593498101	1
23	DISC SPRING	593446501	2
24	BALL BEARING 6207	593385101	2
25	SPACER CENTER PULLEY	593515501	1
26	CIRCLIP	593498101	2
27	BALL BEARING 6207	593385101	4
28	PRESS WHEEL	593410701	2
29	PRESS WHEEL AXLE	593410601	2
30	HUB PACKAGE DRIVING - INCL. POS.46	593419201	2
31	SPACER HUB	593410101	1
32	SHAFT SUPPORT	593409901	3
33	SCREW M8x20	593502801	23
34	WASHER M10	593498501	4
35	SCREW M10x30	593499701	4
36	WASHER M16	593497501	4
37	SCREW M8x16	593499901	8
38	SCREW M16x30	593503501	1
39	SCREW M16x20	593505701	3

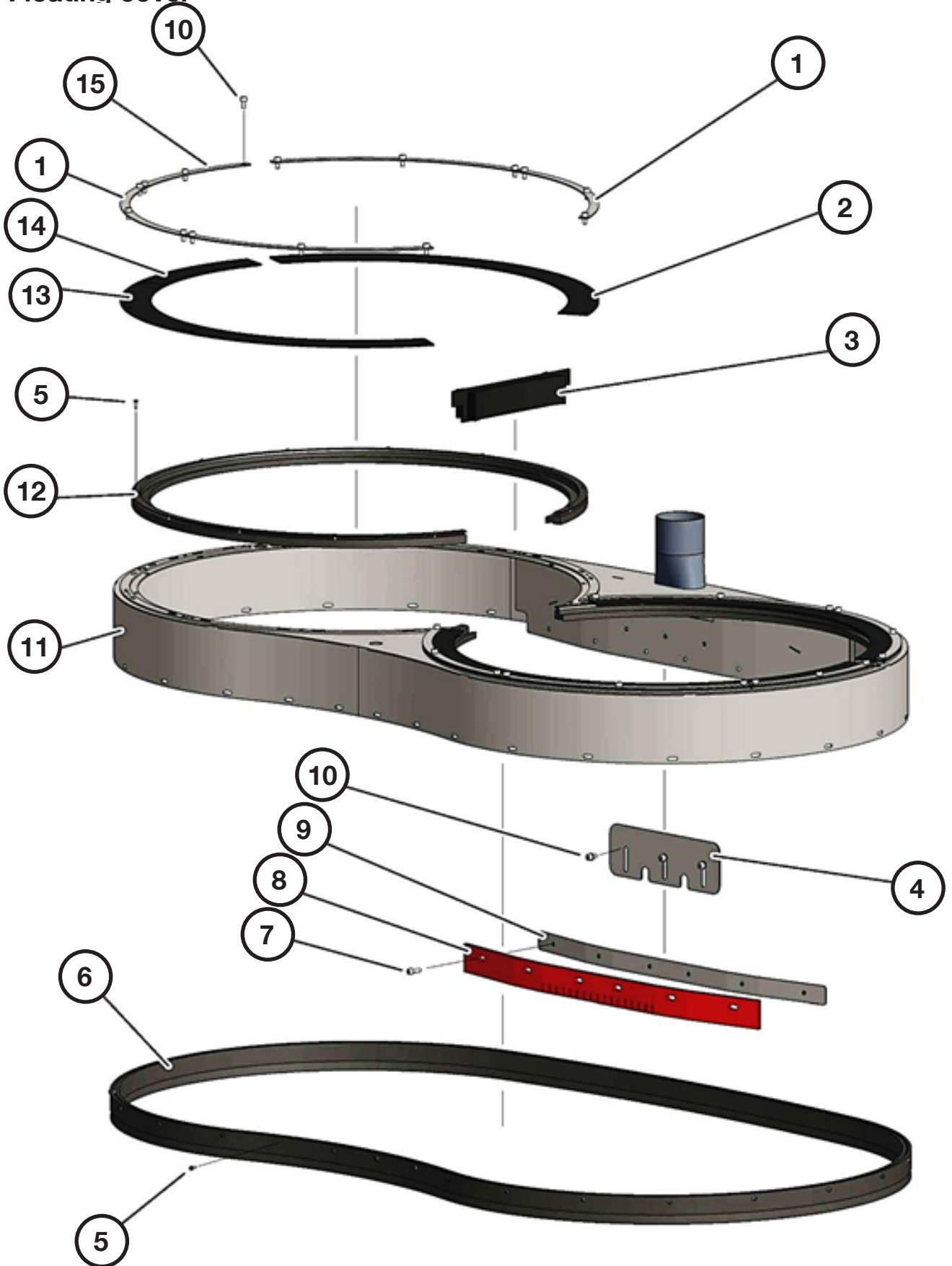


Grinding holder



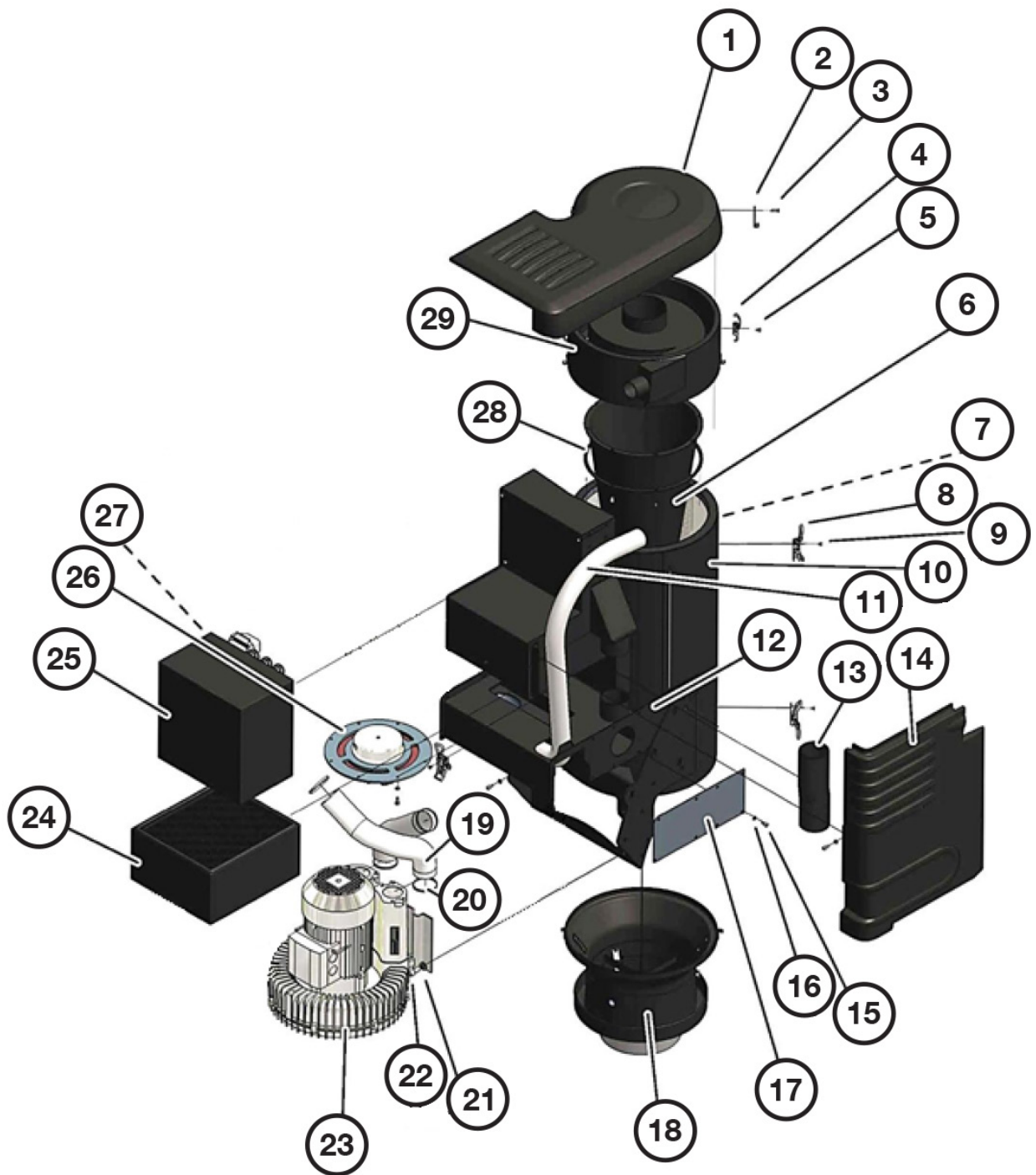
Item	Description	Part no	Qty
1	SCREW M10x35	593496601	4
2	WASHER M10	593499101	4
3	EAR WIDE COMPLETE	593718101	4
4	WASHER	593438601	1
5	CARDAN CONNECTION	593438401	1
6	CROSS CMPL. INCL. POS.7	593615901	1
7	SCREW M8x16	593499901	3
8	SCREW M6x12	593508501	8
9	SCREW M6x20	593505101	8
10	UPPER GRINDING HOLDER PLATE	593438201	1
11	VIBRATION DAMPER	595748401	4
12	LOWER GRINDING HOLDER PLATE	593438501	1

Floating cover



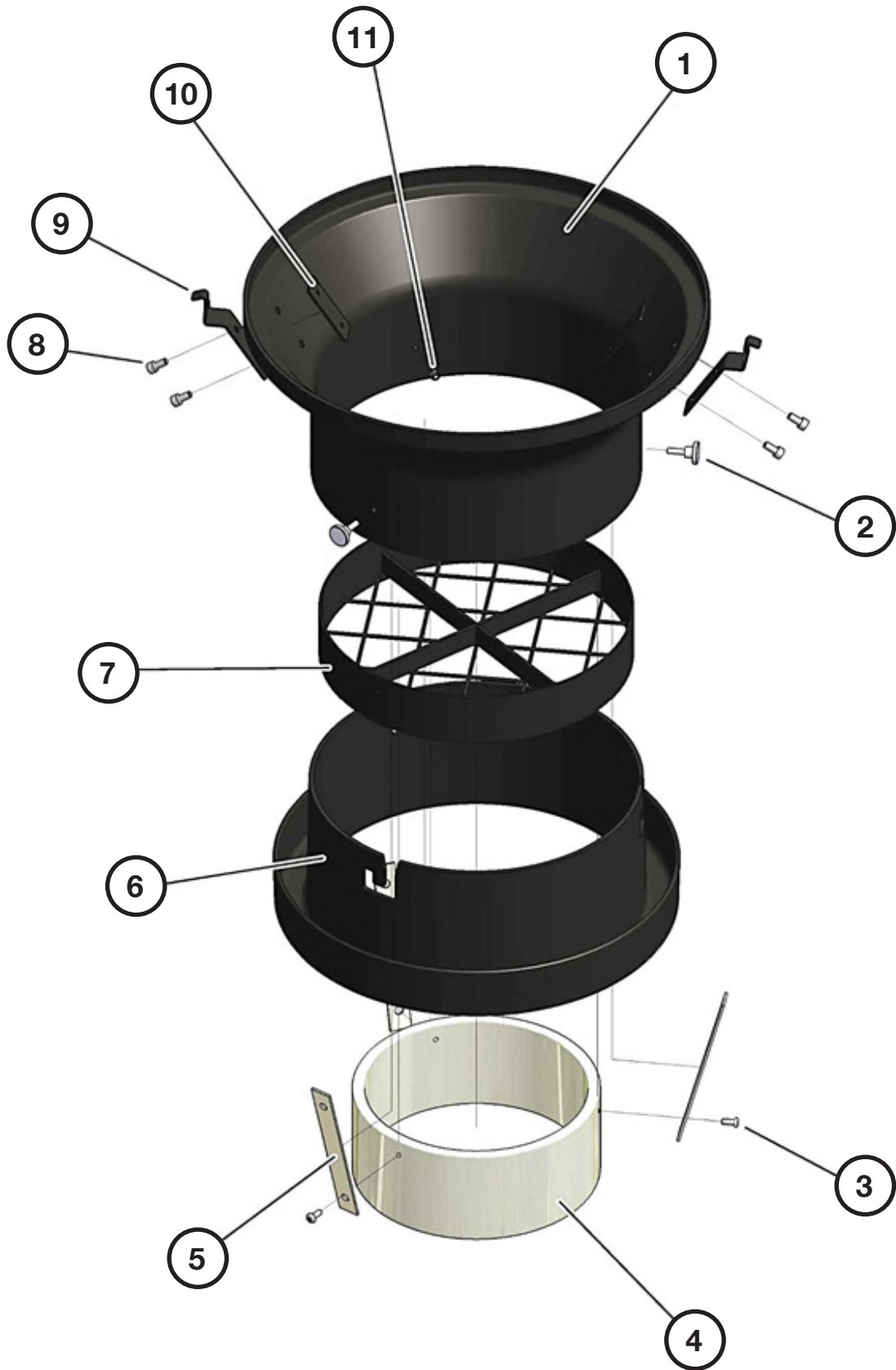
Item	Description	Part no	Qty
1	EPDM HOLDER LONG	500389	8
2	EPDM SEAL LONG	595624201	8
3	CENTER BRUSH	593449501	1
4	FLOATING COVER VALVE	593516101	1
5	SCREW 3.5x13	112358	55
6	BRUSH STRIP 15MM	593446101	3.8m
7	SCREW M6x16	593507801	6
8	RUBBER STRIP	593449401	1
9	RUBBER STRIP HOLDER	593515901	1
10	SCREW M6x12	593497301	33
11	FLOATING COVER	593516001	1
12	BRUSH STRIP	593443301	4m
13	EPDM SEAL SHORT	595624301	2
14	EPDM HOLDER SHORT	595690101	2

Vac system



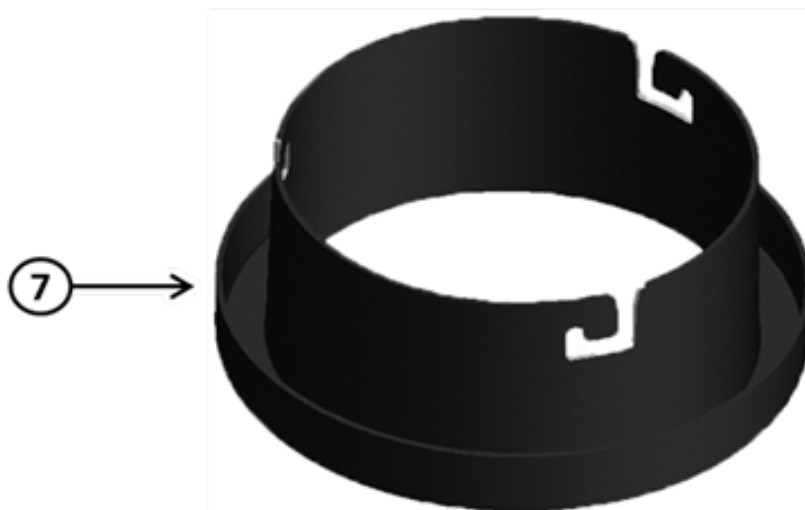
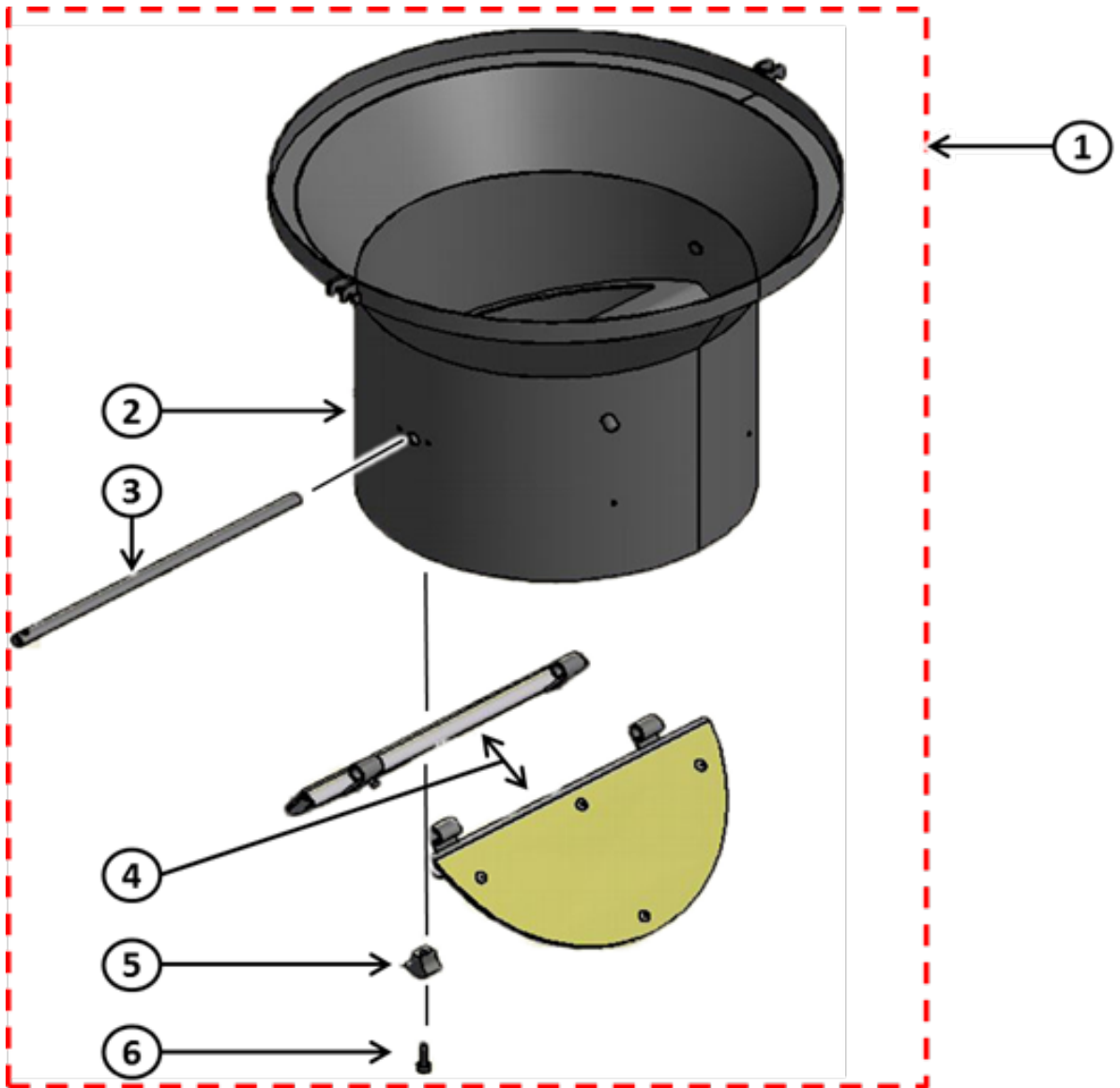
Item	Description	Part no	Qty
1	TOP COVER	593444401	1
2	HOOK	593443001	2
3	POP RIVET	593583101	4
4	EXCENTRIC LOCK	593440701	2
5	SCREW M5x8	593497201	12
6	PRESEPARATOR	593444301	1
7	CARTRIDGE FILTER	593452601	1
8	LATCH	593451401	5
9	SCREW M5x8	593497201	15
10	CYCLONE	595612401	1
11	HOSE 2"	593465201	6m
12	BRANCHING BOX	595612501	1
13	HOSE 3"	593478601	0.3M
14	SIDE COVER	593440501	1
15	SCREW M6x12	593497301	12
16	WASHER M6	593496001	11
17	COVER PLATE	595614001	1
18	BOTTOM CONE	NEXT PAGE	
19	HOSE 2.5"	112517	0.2m
	HOSE 2.5"	112517	0.55m
20	HOSE CLAMP 2.5"	595615201	4
21	WASHER M12	593499401	4
22	SCREW M12x25	593503601	4
23	SIDE CHANNEL FAN	593444501	1
24	ABSOLUT FILTER	593444001	1
25	POWER UNIT 3	595622101	1
	POWER UNIT 4	595622201	1
26	VALVE	593441801	1
27	SCREW M6x10	593495401	4
28	CYCLONE RING	593443101	1
29	CYCLONE TOP	595748501	1
	CYCLONE TOP COMPLETE INCL. POS. 4. 6. 41. 42	595709001	1

Bottom cone V1



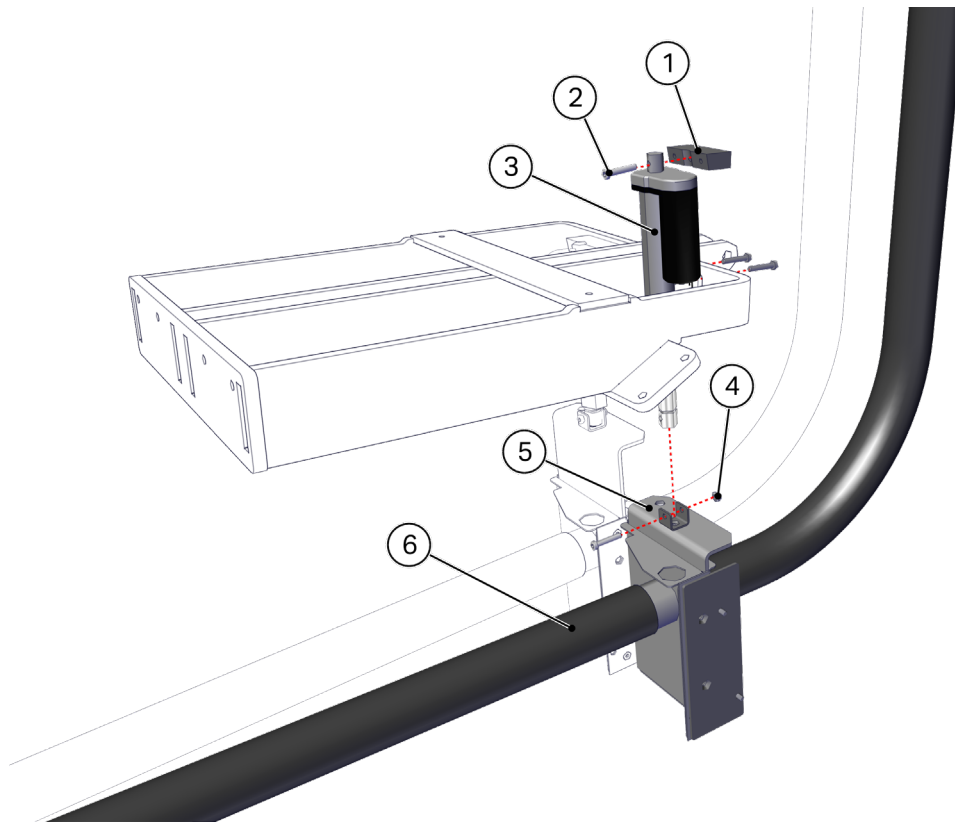
Item	Description	Part no	Qty
1	BOTTOM CONE	593438701	1
2	BAYONET SCREW	593627901	3
3	SCREW M5x12	593509101	3
4	WEIGHT RING	593442101	1
5	WEIGHT BELTS	593445501	3
6	LONGOPAC HOLDER	593524001	1
7	BOTTOM NET	593441901	1
8	SCREW M6x12	593497301	4
9	FASTENING HOOK	593442901	2
10	FASTENING HOOK BRACKET	595613901	2
11	LOCK NUT M5	593506501	3

Bottom cone V2



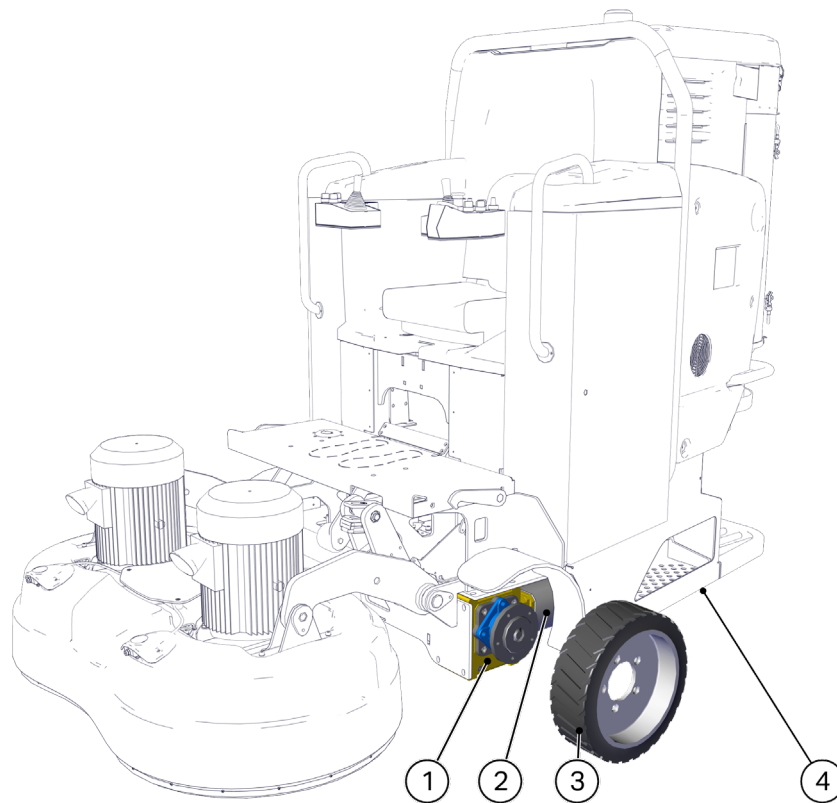
Item	Description	Part no	Qty
1	BOTTOM CONE CMPL	593523501	1
2	BOTTOM CONE	593523401	1
3	AXLE	593518701	1
4	DUST SHEET	593526901	2
5	WEDGE	593528201	1
6	SCREW M5x20	593503801	1
7	LONGOPAC HOLDER	593524001	1

Vac-valve



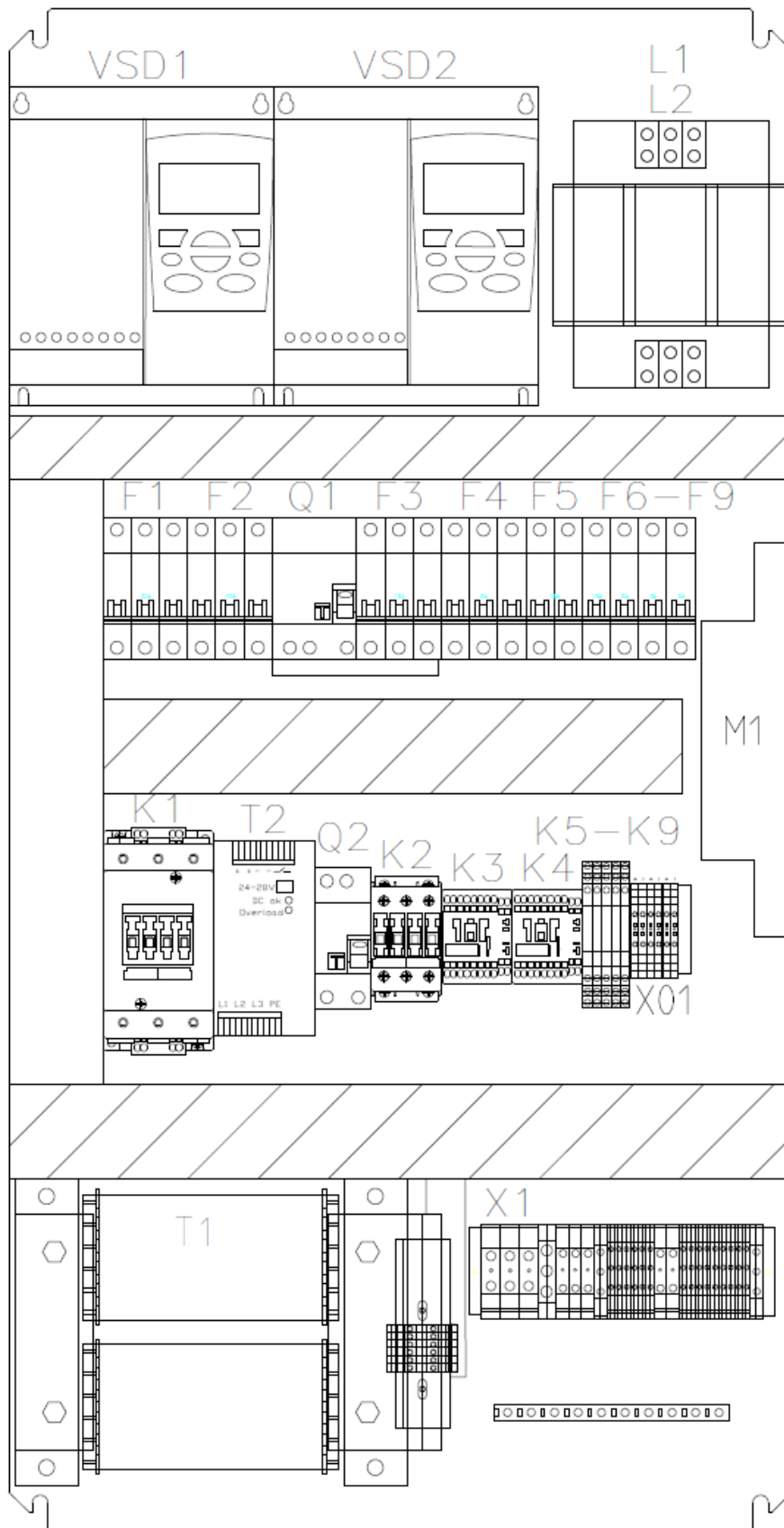
Item	Description	Part no	Qty
1	ACTUATOR BRACKET	593535701	1
2	SCREW M6X30	595675801	4
3	ACTUATOR 110N	593451501	1
	ACTUATOR 340N	593469801	1
4	LOCK NUT M6	593500001	1
5	VALVE	593479201	1
	VALVE INCL. ACTUATOR 340N	593531501	1
6	HOSE 2"	593465201	7.2M

Wheels and gear



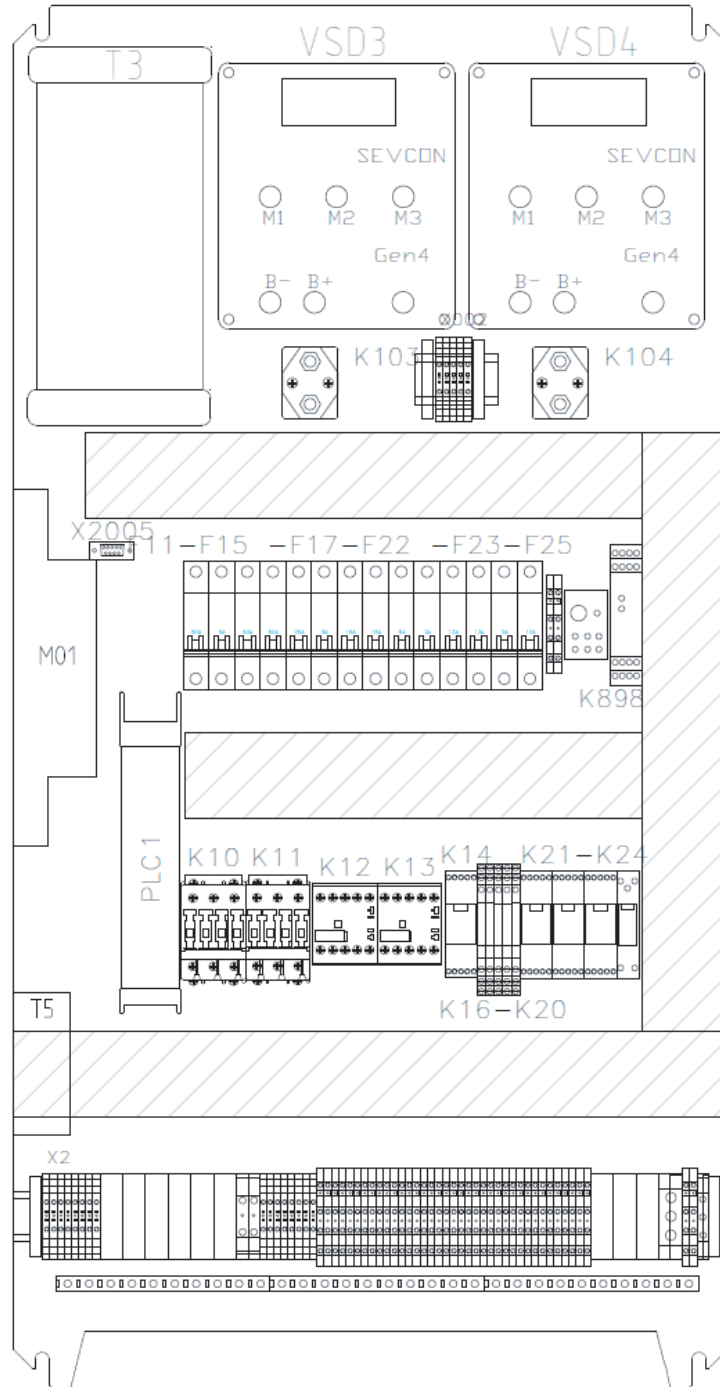
Item	Description	Part no	Qty
1	GEAR UNIT	593448101	1
2	DRIVE MOTOR	593448001	1
	DRIVE MOTOR INCL. CABLING	593481801	1
3	WHEEL	593447001	1
	WHEEL BOLT	595618701	5
4	REAR WHEEL DISTANCE PLATE	593630501	1
	SWIVEL CASTER	593453001	1

PU-1 - component list



Item	Part no	Description
VSD1	593556301	Left grinder inverter
VSD2	593469901	Right grinder inverter
L1	595023201	Line filter for inverter
L2		Line filter for inverter
F1	595743001	Fuse - Left inverter
F2		Fuse - Right inverter
F3	593551701	Fuse - Vac's
F4	595611801	Fuse - Power supply T2
F5		Fuse - Transformer T1
F6	595611701	Fuse - 230v transformer sec PU2
F7	595734801	Fuse - Control power 230V contactors
F8	595611801	Fuse - Cooling fan's
F9		Fuse - Mist cooler system
Q1	595732501	RCCD - Vac's
K1	593467101	Contactor - Main contactor
T2	593560201	Power supply - 400V – 24V DC
Q2	595732601	RCCD - Main
K2		Contactor - Vac's
K3	593474601	Contactor - Cooling fan's
K4		Contactor - Mist cooler system
K5	593469701	Support relay - Main contactor
K6		Support relay - Vac's
K7		Support relay - Cooling
K8		Support relay - Mist cooler system
K9		Support relay - Cooling fan's
T1		595589701

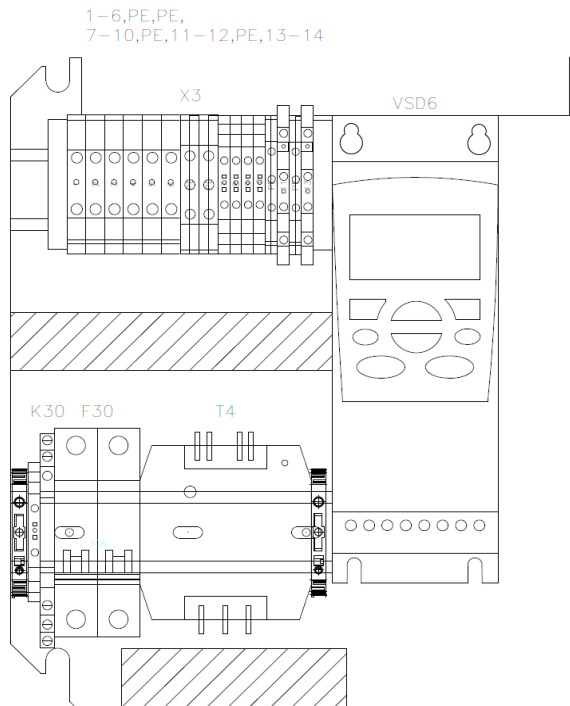
PU-2 - component list



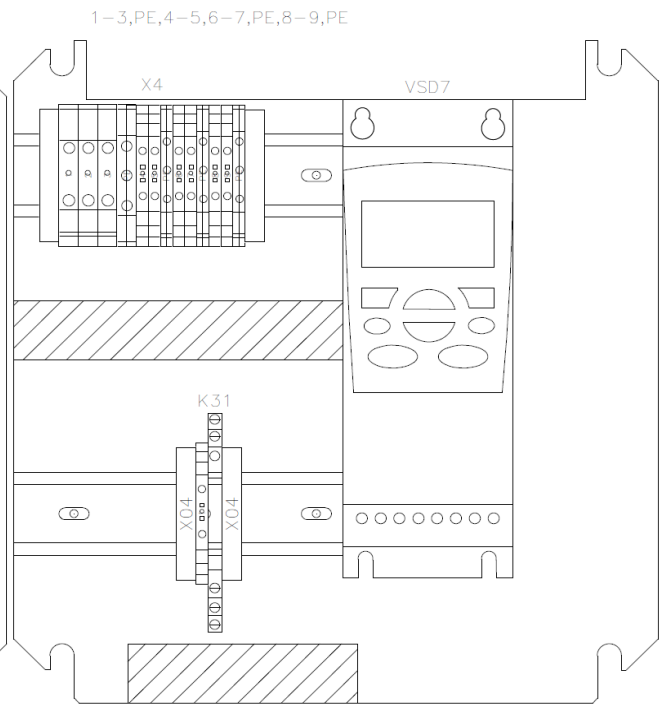
Item	Part no	Description
T3		HF charger
VSD3	594042501	Left drive
K103	595640201	Contactora - Left drive
VSD4	594042601	Right drive
K104	595640201	Contactora - Right drive
F11	595734801	Fuse - Control power

Item	Part no	Description
F12	595734901	Fuse - Charger
F13	595735001	Fuse - Left drive
F14		Fuse - Right drive
F15	595735201	Fuse - Grinding head lift actuator
F17	595611701	Fuse - Vac tilt actuator
F18		Fuse - Light, Horn, 12V
F19	595611801	Fuse - Sensors
F20	595735301	Fuse - PLC
F21	595735401	Fuse - PLC
F22		Fuse - PLC
F23	593557701	Fuse - Outlet valve
F24		Fuse - Inlet valve left
F25		Fuse - Inlet valve right
K898	595643501	Safety relay
PLC1	593469501	Mobile controller
K10	593461501	Contactactor - Grinding head lift actuator up
K11	593461501	Contactactor - Grinding head lift actuator down
K12	595735101	Contactactor - Vac tilt actuator up
	595640001	Surge suppressor
K13	595735101	Contactactor - Vac tilt actuator down
	595640001	Surge suppressor
K14	593466101	Contactactor - Front light
K16	593469701	Contactactor - Horn
K17		Contactactor - Beacon
K18		Contactactor - Buwarning
K19		Contactactor - Grinding head lift actuator up
K20		Contactactor - Grinding head lift actuator down
K21		Contactactor - Outlet valve
K22	593466101	Contactactor - Inlet valve left
K23		Contactactor - Inlet valve right
K24	593553901	Contactactor - PLC - Power check
T5	593480201	DC/DC converter

PU-3 - component list

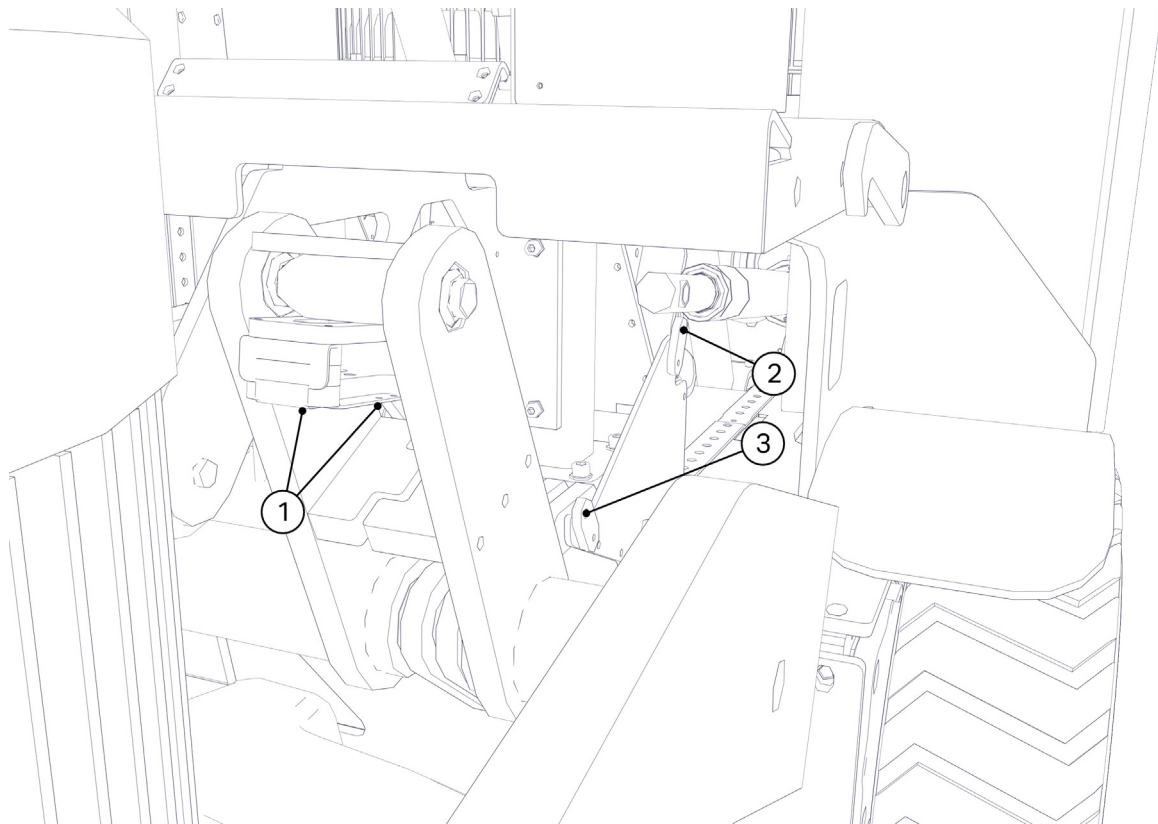



PU-4 - component list



Item	Part no	Description	
VSD6	593463601	Inverter	
K30	593469701	Contactor	Contactor - 24VDC
F30		Fuse	Fuse - Power supply
T4	593461901	Power supply	
K31	593469701	Contactor	Contactor - 24VDC
VSD7	593554901	Inverter	

Sensors



Ikon	Item	Description	Part no.	Qty.
	1	Floating sensor	593434001	2
	2	Lift sensor		1
	3	Grinding sensor		1

Head office

HTC Sweden AB

PO Box 69

614 22 Söderköping

Sweden

Street (delivery) address:

Klevvägen 7

614 92 Söderköping

Sweden

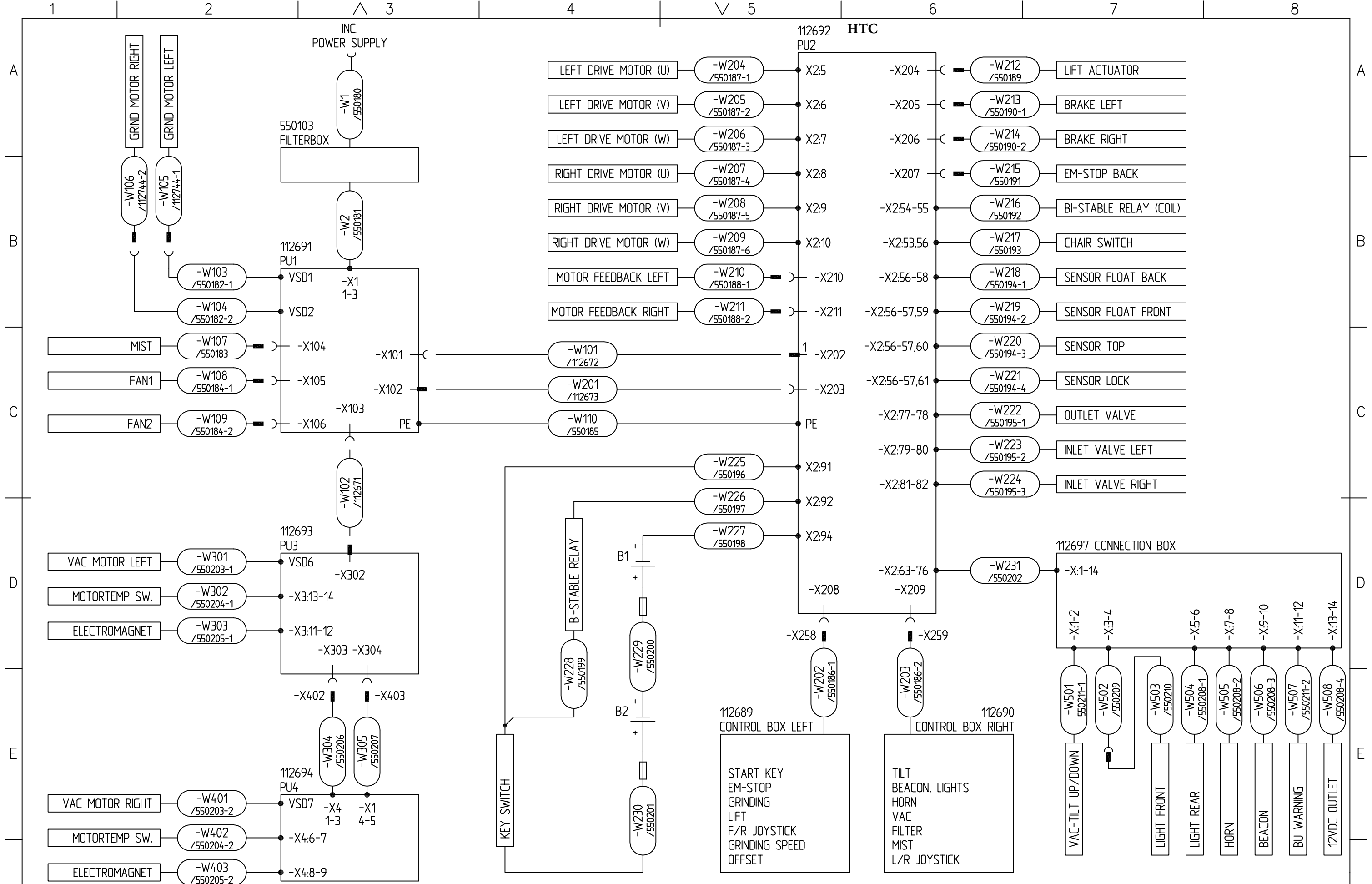
Phone: +46 (0)121-29400

Fax: +46 (0)121-15212

E-mail: info@htc-sweden.com

www.htc-floorsystems.com





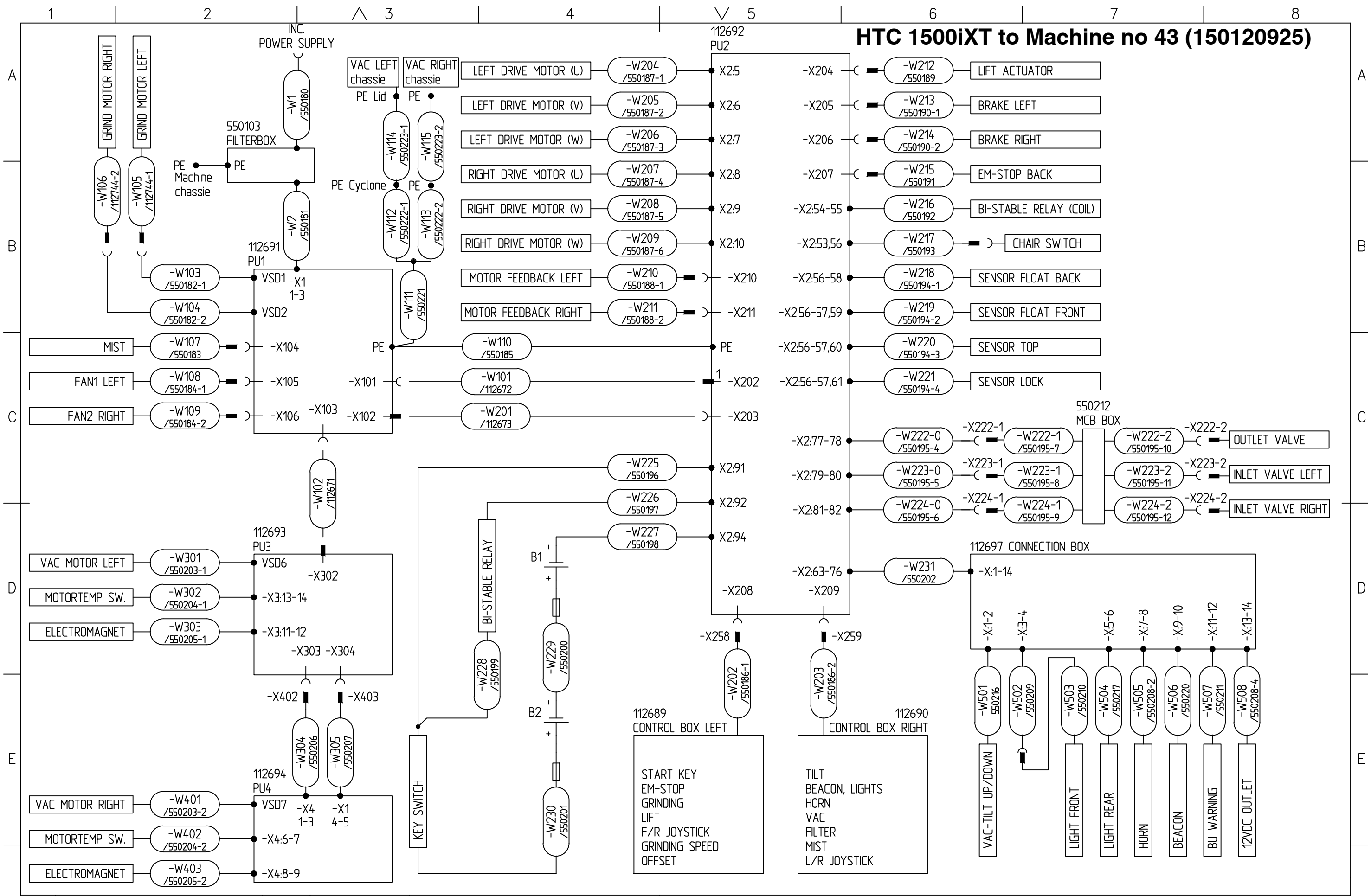
REV.	REV. DESC	SIGN.	DATE

HTC Sweden AB
 Box 69 - 614 22 Söderköping
 T: +46 (0)121-29400
 F: +46 (0)121-15212
 All rights reserved - Copyright

ENGINEER	ML
DRAWN BY	ML
CHKD BY	
DATE	121002

HTC SWEDEN AB
 HTC 1500iXT
 CABLE OVERVIEW
 LAYOUT

SHEETS TOTAL	1	SHEET	1
DOC NO	550178	Rev.	



HTC 1500iXT to Machine no 43 (150120925)

A	External MCB-box Valves	JD	2012-03-01
REV.	REV. DESC	SIGN.	DATE

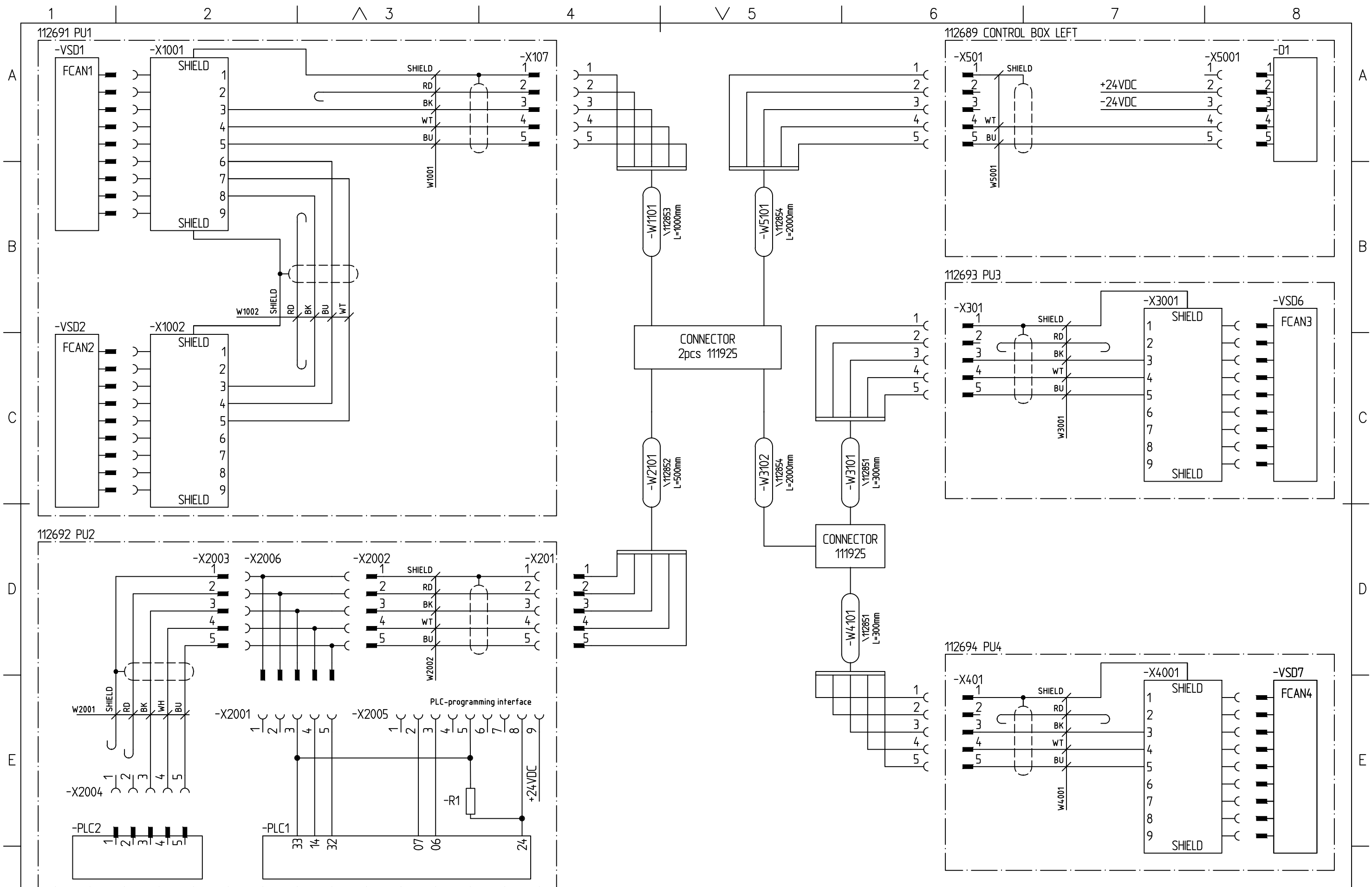


HTC Sweden AB
 Box 69 - 614 22 Söderköping
 T: +46 (0)121-29400
 F: +46 (0)121-15212
 All rights reserved - Copyright

ENGINEER	ML
DRAWN BY	ML
CHKD BY	VL
DATE	121002

HTC SWEDEN AB
 HTC 1500iXT
 CABLE OVERVIEW
 LAYOUT

SHEETS TOTAL	1	SHEET	1
DOC NO	550178	Rev.	A



REV.	REV. DESC	SIGN.	DATE
1			

HTC Sweden AB
 Box 69 - 614 22 Söderköping
 T: +46 (0)121-29400
 F: +46 (0)121-15212
 All rights reserved - Copyright

ENGINEER ML
 DRAWN BY ML
 CHKD BY
 DATE 121002


HTC SWEDEN AB
 HTC 1500iXT
 CANBUS OVERVIEW
 LAYOUT

SHEETS TOTAL	1	SHEET	1
DOC NO	550179		
		Rev.	

HTC 1500 iXT CONTROL BOX LEFT

LIST OF DRAWINGS

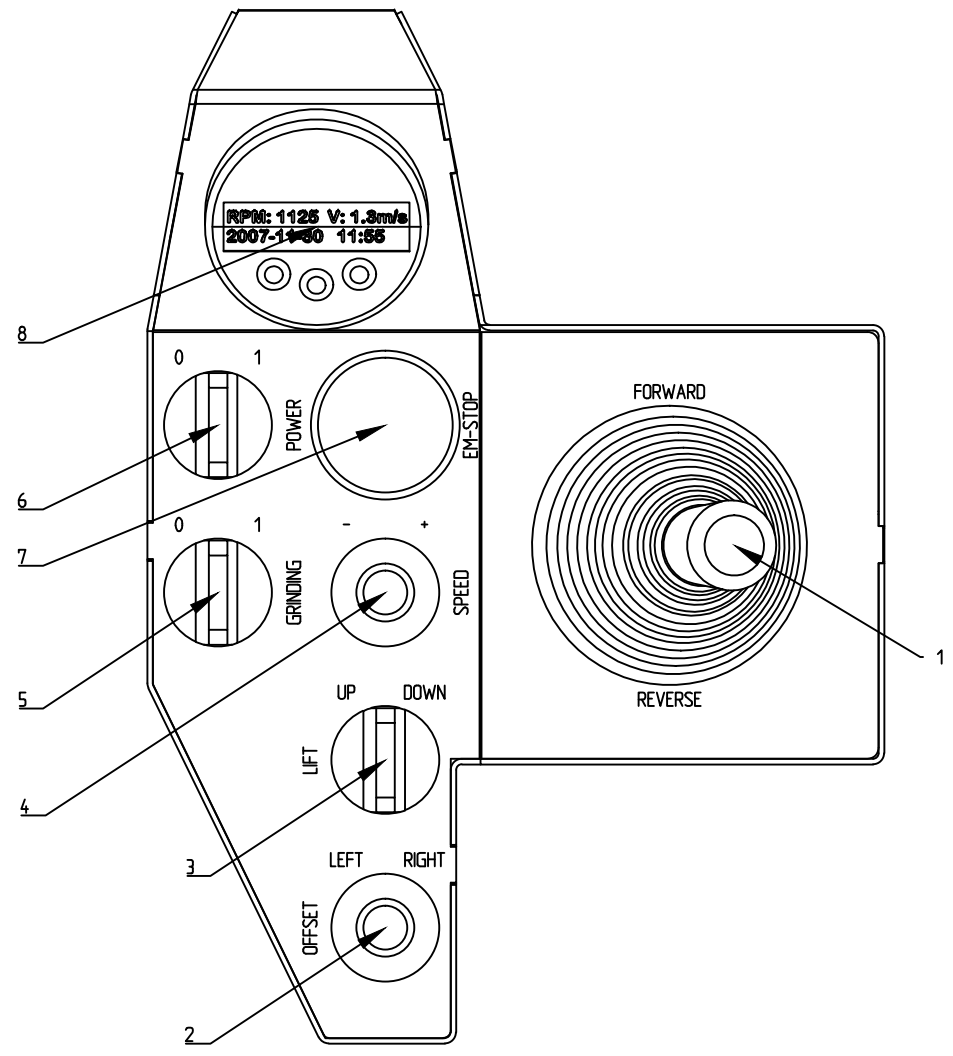
FILENAME	DWGDESC	SH
112689A-01	LIST OF DRAWINGS	1
112689A-02	LAYOUT	2
112689A-03	CIRCUIT DIAGRAM	3
112689A-04	BOM	4

				 HTC Sweden AB Box 69 - 614 22 Söderköping T: +46 (0)121-29400 F: +46 (0)121-15212 All rights reserved - Copyright	ENGINEER DJ	HTC SWEDEN AB HTC 1500iXT CONTROL BOX LEFT LIST OF DRAWINGS	SHEETS TOTAL 4 SHEET 1	
					DRAWN BY DJ		DOC NO 112689	Rev. A
				CHKD BY				
A	NEW DESIGN	ML	121016	DATE 080527				
REV.	REV. DESC	SIGN.	DATE					

1 2 3 4 5 6 7 8

A
B
C
D
E
F

No	ID
1	R3
2	R1
3	S5
4	R2
5	S4
6	S2
7	S3
8	D1



A	NEW DESIGN	ML	121016
REV.	REV. DESC	SIGN.	DATE



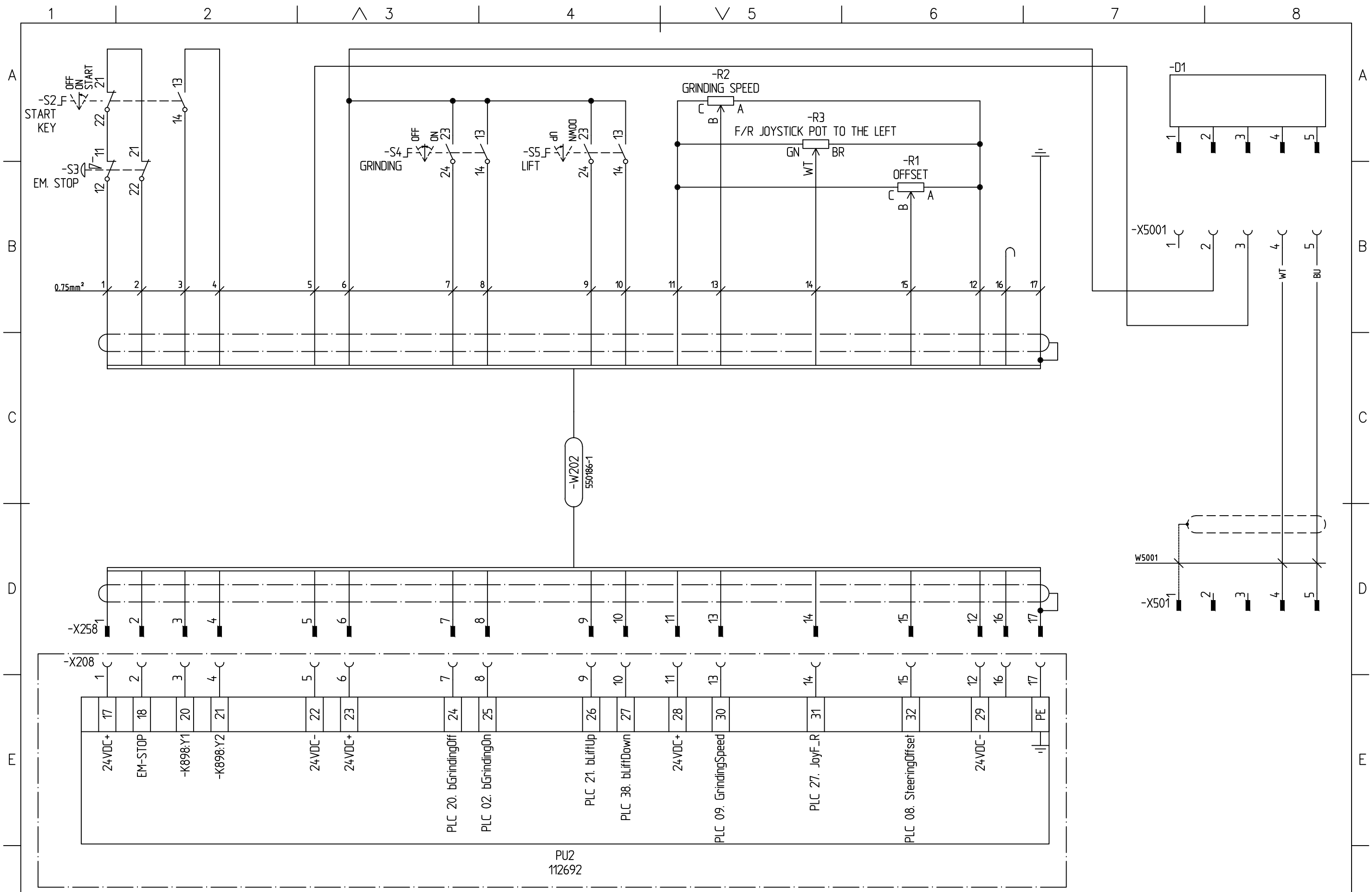
HTC Sweden AB
 Box 69 - 614 22 Söderköping
 T: +46 (0)121-29400
 F: +46 (0)121-15212
 All rights reserved - Copyright

ENGINEER	DJ
DRAWN BY	DJ
CHKD BY	
DATE	080527

HTC SWEDEN AB
 HTC 1500iXT
 CONTROL BOX LEFT
 LAYOUT

SHEETS TOTAL	4	SHEET	2
DOC NO	112689	Rev.	A

1 2 3 4 5 6 7 8



REV.	REV. DESC	SIGN.	DATE
A	NEW DESIGN	ML	121016



HTC Sweden AB
 Box 69 - 614 22 Söderköping
 T: +46 (0)121-29400
 F: +46 (0)121-15212
 All rights reserved - Copyright

ENGINEER	DJ
DRAWN BY	DJ
CHKD BY	
DATE	080527

HTC SWEDEN AB
 HTC 1500iXT
 CONTROL BOX LEFT
 CIRCUIT DIAGRAM

SHEETS TOTAL	4	SHEET	3
DOC NO	112689	Rev.	A

1	2	3	4	5	6	7	8	
ITEM	TAG	QTY	DESIGNATION	HTC NO.	CATALOGUE NO.	MANUFACTURER	DATA	REMARK
		1	Joystick box left assembly	500280		HTC		
A	-D1	1	Display RMD 1001		251007020	RM Michaelides		
	-R1	1	Potentiometer		PE30AL	Schneider		
	-R2	1	Potentiometer		PE30AL	Schneider		
	-R3	1	Joystick F/R		S50JCK-8509B	Caldaro		
	-S2	1	Keyswitch 3-pos right sp. return		ZB4BG08	Schneider		
		1	Contact body, 1NO/1NC		ZB4BZ105	Schneider		
B	-S3	1	Emergency stop, 1NC		XB4BS8444	Schneider		
	-S4	1	Switch 3-pos spring return		ZB4BD5	Schneider		
		1	Contact body, 2NO		ZB4BZ103	Schneider		
	-S5	1	Switch 3-pos left spring return		ZB4BD7	Schneider		
		1	Contact body, 2NO		ZB4BZ103	Schneider		
	-W202	1	Cable				See drawing:550186-1	
	-X258	1	Cable connector Epic circ M23		72044010	Lapp		
C		1	Contact Epic circon M23		73008510	Lapp	17-pole	
		17	Male crimp contact		72400000	Lapp		
		1	Cable gland		1476003	Rutab	M20x1.5, 9-13mm	IP68, Brass nickel plated
		1	Lock nut		1476503	Rutab	M20x1.5	Brass nickel plated
	-X501	1	Flush-type plug CANopen		1525649	Phoenix contact	5 poles	
		1	Lock nut		1476502	Rutab	M16x1.5	Brass nickel plated
	-X5001	1	Plug connector female		1508365	Phoenix contact	5 poles	

A	NEW DESIGN	ML	121016
REV.	REV. DESC	SIGN.	DATE



HTC Sweden AB
 Box 69 - 614 22 Söderköping
 T: +46 (0)121-29400
 F: +46 (0)121-15212
 All rights reserved - Copyright

ENGINEER	DJ
DRAWN BY	DJ
CHKD BY	
DATE	080214


HTC SWEDEN AB
 HTC 1500iXT
 CONTROL BOX LEFT
 BOM

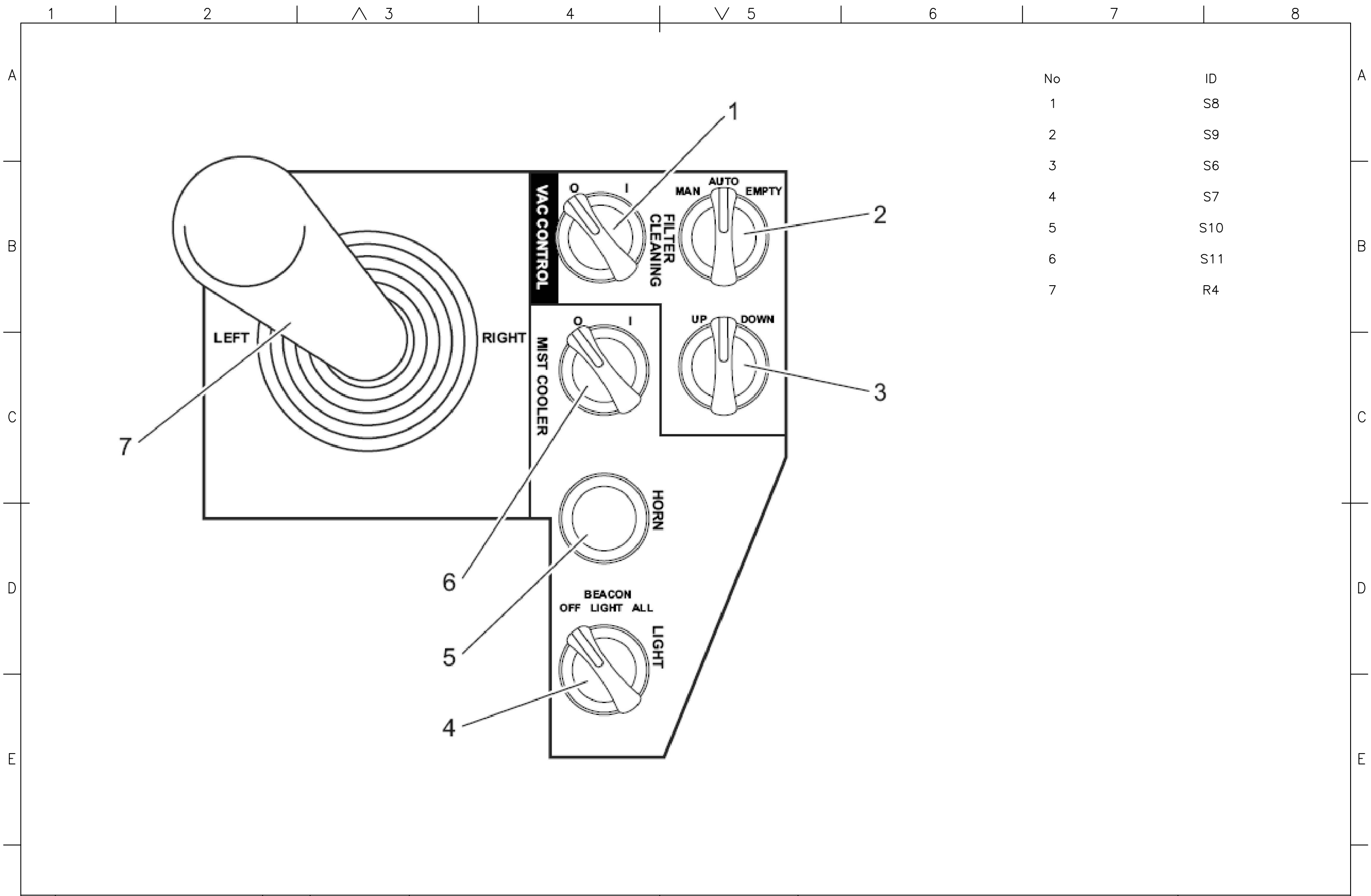
SHEETS TOTAL	4	SHEET	4
DOC NO	112689	Rev.	A

HTC 1500 iXT CONTROL BOX RIGHT

LIST OF DRAWINGS

FILENAME	DWGDESC	SH
112690A-01	LIST OF DRAWINGS	1
112690A-02	LAYOUT	2
112690A-03	CIRCUIT DIAGRAM	3
112690A-04	BOM	4

				 HTC Sweden AB Box 69 - 614 22 Söderköping T: +46 (0)121-29400 F: +46 (0)121-15212 All rights reserved - Copyright	ENGINEER DJ	HTC SWEDEN AB HTC 1500iXT CONTROL BOX RIGHT LIST OF DRAWINGS	SHEETS TOTAL 4 SHEET 1	
					DRAWN BY DJ		DOC NO 112690	Rev. A
				CHKD BY				
A	NEW DESIGN	ML	121016	DATE 080526				
REV.	REV. DESC	SIGN.	DATE					



No	ID
1	S8
2	S9
3	S6
4	S7
5	S10
6	S11
7	R4

A	NEW DESIGN	ML	121016
REV.	REV. DESC	SIGN.	DATE

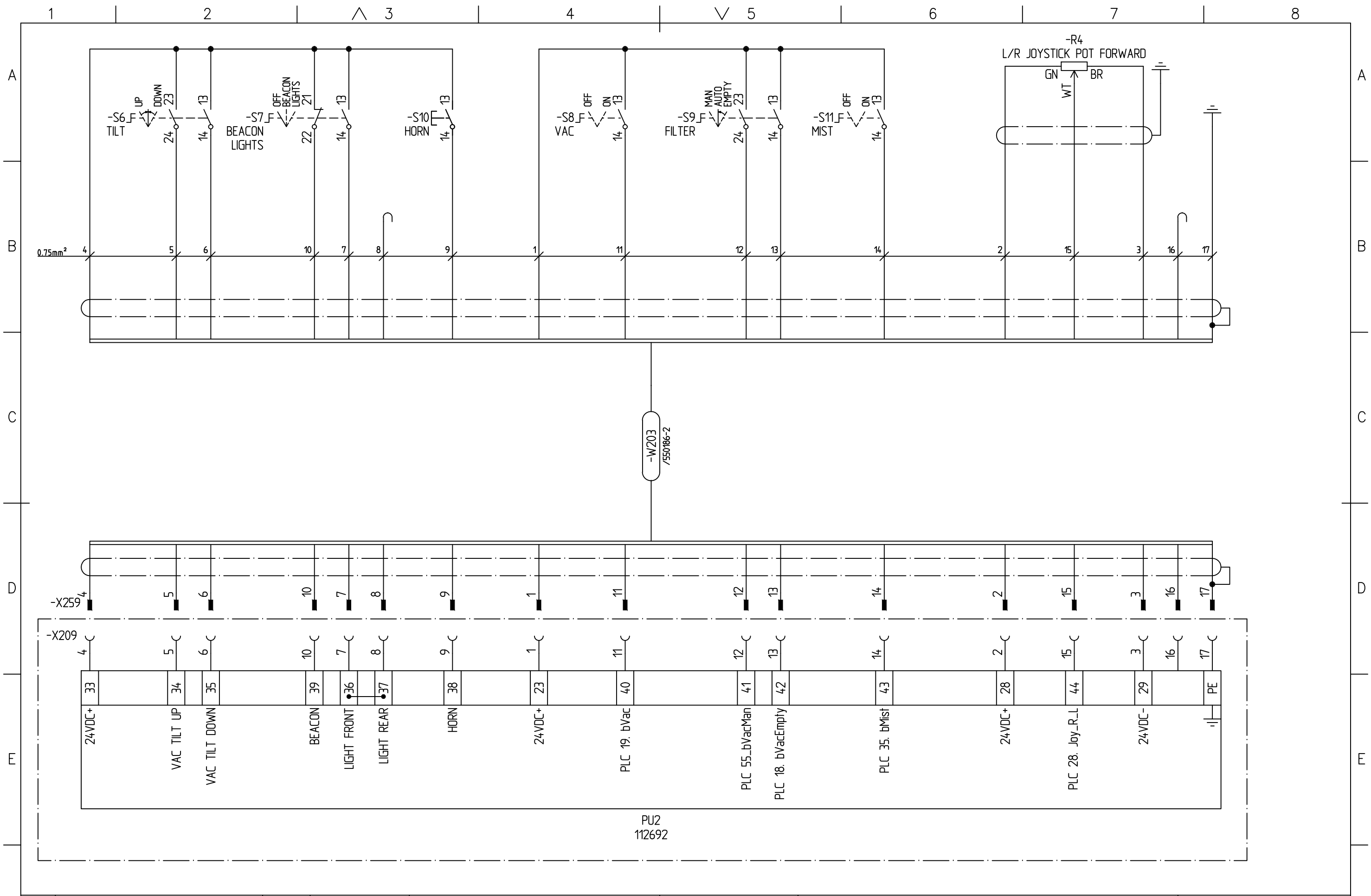


HTC Sweden AB
 Box 69 - 614 22 Söderköping
 T: +46 (0)121-29400
 F: +46 (0)121-15212
 All rights reserved - Copyright

ENGINEER	DJ
DRAWN BY	DJ
CHKD BY	
DATE	080526

HTC SWEDEN AB
 HTC 1500iXT
 CONTROL BOX RIGHT
 LAYOUT

SHEETS TOTAL	4	SHEET	2
DOC NO	112690	Rev.	A



A	NEW DESIGN	ML	121016
REV.	REV. DESC	SIGN.	DATE



HTC Sweden AB
 Box 69 - 614 22 Söderköping
 T: +46 (0)121-29400
 F: +46 (0)121-15212
 All rights reserved - Copyright

ENGINEER	DJ
DRAWN BY	DJ
CHKD BY	
DATE	080526

HTC SWEDEN AB
 HTC 1500iXT
 CONTROL BOX RIGHT
 CIRCUIT DIAGRAM

SHEETS TOTAL	4	SHEET	3
DOC NO	112690	Rev.	A

1	2	3	4	5	6	7	8	
ITEM	TAG	QTY	DESIGNATION	HTC NO.	CATALOGUE NO.	MANUFACTURER	DATA	REMARK
		1	Joystick box right assembly	500281		HTC		
A	-R4	1	Joystick L/R		S50JCK-85010B	Caldaro		
	-S6	1	Switch 3-pos spring return		ZB4BD5	Schneider		
		1	Contact body, 2NO		ZB4BZ103	Schneider		
	-S7	1	Switch 3-pos		ZB4BD3	Schneider		
		1	Contact body, 1NO/1NC		ZB4BZ105	Schneider		
	-S8	1	Switch 2-pos		ZB4BD2	Schneider		
		1	Contact body, 1NO		ZB4BZ101	Schneider		
B	-S9	1	Switch 3-pos right spring return		ZB4BD8	Schneider		
		1	Contact body, 2NO		ZB4BZ103	Schneider		
	-S10	1	Pushbutton		ZB4BA2	Schneider		
		1	Contact body, 1NO		ZB4BZ101	Schneider		
	-S11	1	Switch 2-pos		ZB4BD2	Schneider		
		1	Contact body, 1NO		ZB4BZ101	Schneider		
	-W203	1	Cable				See drawing:550186-2	
C	-X259	1	Cable connector Epic circ M23		72044010	Lapp		
		1	Contact Epic circon M23		73008510	Lapp	17-pole	
		17	Male crimp contact		72400000	Lapp		
		1	Cable gland		1476003	Rutab	M20x1.5, 9-13mm	IP68, Brass nickel plated
		1	Lock nut		1476503	Rutab	M20x1.5	Brass nickel plated
D								
E								

A	NEW DESIGN	ML	121016
REV.	REV. DESC	SIGN.	DATE



HTC Sweden AB
 Box 69 - 614 22 Söderköping
 T: +46 (0)121-29400
 F: +46 (0)121-15212
 All rights reserved - Copyright

ENGINEER	DJ
DRAWN BY	DJ
CHKD BY	
DATE	080526


HTC SWEDEN AB
 HTC 1500iXT
 CONTROL BOX RIGHT
 BOM

SHEETS TOTAL	4	SHEET	4
DOC NO	112690	Rev.	A

HTC 1500iXT POWER UNIT 1

LIST OF DRAWINGS

FILENAME	DWGDESC	SH
112691C-01	LIST OF DRAWINGS	1
112691C-02	DESCRIPTION	2
112691C-03	LAYOUT	3
112691C-04	LAYOUT	4
112691C-05	CIRCUIT DIAGRAM	5
112691C-06	CIRCUIT DIAGRAM	6
112691C-07	CIRCUIT DIAGRAM	7
112691C-08	CIRCUIT DIAGRAM	8
112691C-09	EXT. CONNECTION DIAGRAM	9
112691C-10	EXT. CONNECTION DIAGRAM	10
112691C-11	BOM	11
112691C-12	BOM	12
112691C-13	BOM	13

C	NEW DESIGN	ML	121016	 HTC Sweden AB Box 69 - 614 22 Söderköping T: +46 (0)121-29400 F: +46 (0)121-15212 All rights reserved - Copyright	ENGINEER	DJ	HTC SWEDEN AB HTC 1500iXT PU1 LIST OF DRAWINGS	SHEETS TOTAL	13	SHEET	1
B	CONNECTOR CHANGE	DJ	090512		DRAWN BY	DJ		DOC NO	112691	Rev.	C
A	WIRE NUMBER CHANGE	DJ	090324		CHKD BY						
REV.	REV. DESC	SIGN.	DATE		DATE	090306					

1 2 3 4 5 6 7 8

A

A

DESCRIPTION FOR HTC 1500iXT POWER UNIT 1

SUPPLY: 400-480 VAC 50/60HZ, 63A. REQUIRED SUPPLY VOLTAGE DEPENDING ON TRANSFORMER CONNECTION. 16MM^2 CABLE IS THE MINIMUM REQUIREMENT.

- W2: SUPPLY
- W103: LEFT GRINDING MOTOR
- W104: RIGHT GRINDING MOTOR
- X101: POWER UNIT CONNECTOR 1
- X102: POWER UNIT CONNECTOR 2
- X103: VAC POWER CABLE
- X104: MIST COOLER SYSTEM
- X105: COVER FAN LEFT
- X106: COVER FAN RIGHT
- X107: CANOPEN CONNECTOR

- INVERTER PARAMETERS
- VSD1: HTC1500iXT_NID5_XXX.DWP
 - VSD2: HTC1500iXT_NID6_XXX.DWP

B

B

C

C

D

D

E

E

F

F

C	CABLE NO. CHANGED	ML	121016
B	CONNECTOR CHANGE	DJ	090512
A	WIRE NUMBER CHANGE	DJ	090324
REV.	REV. DESC	SIGN.	DATE



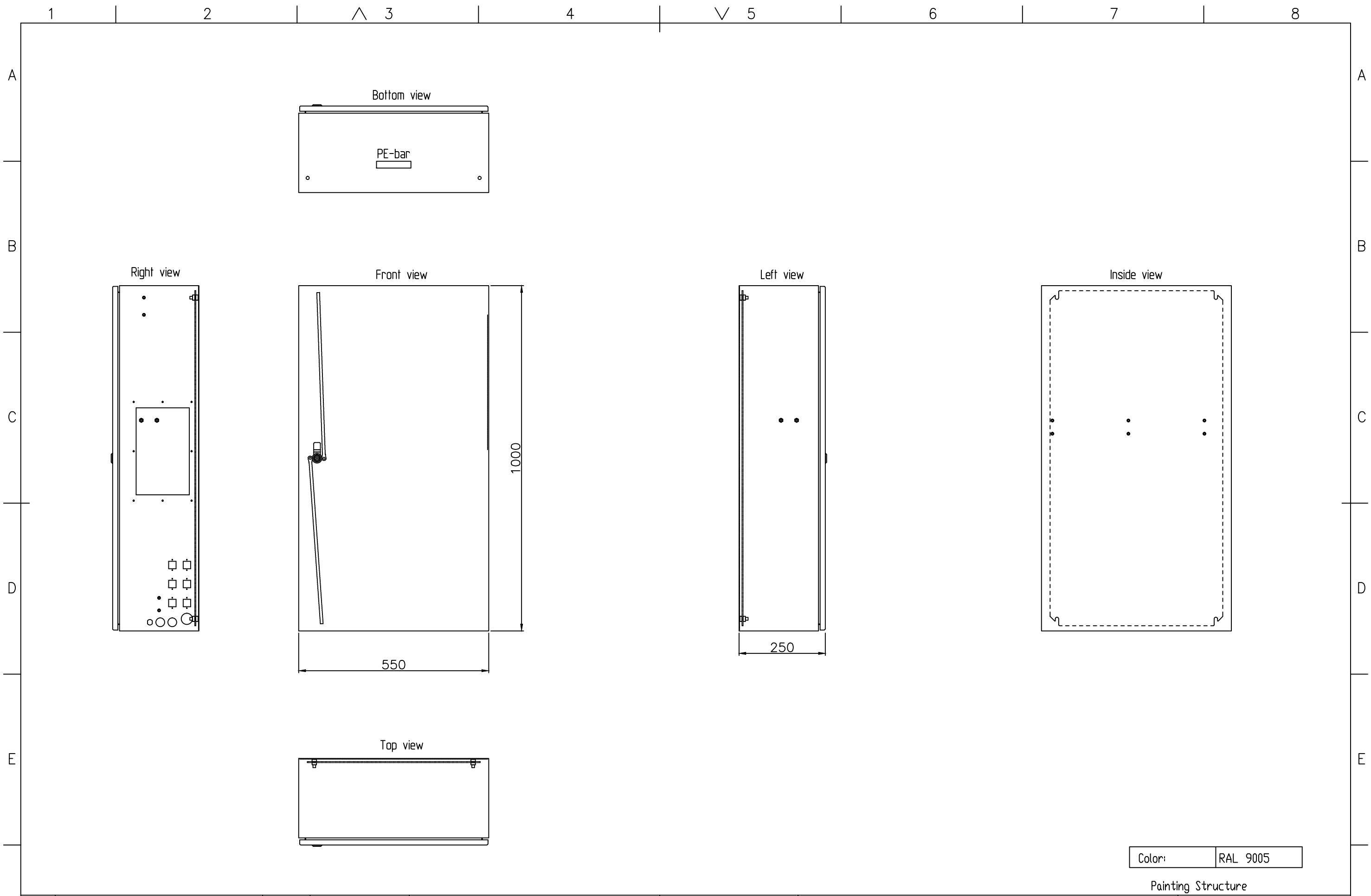
HTC Sweden AB
 Box 69 - 614 22 Söderköping
 T: +46 (0)121-29400
 F: +46 (0)121-15212
 All rights reserved - Copyright

ENGINEER	DJ
DRAWN BY	DJ
CHKD BY	
DATE	090306

HTC SWEDEN AB
 HTC 1500iXT
 PU1
 DESCRIPTION

SHEETS TOTAL	13	SHEET	2
DOC NO	112691	Rev.	C

1 2 3 4 5 6 7 8



Color: RAL 9005

Painting Structure

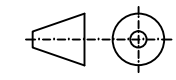
C	NEW DESIGN	ML	121016
B	CONNECTOR CHANGE	DJ	090512
A	WIRE NUMBER CHANGE	DJ	090324
REV.	REV. DESC	SIGN.	DATE



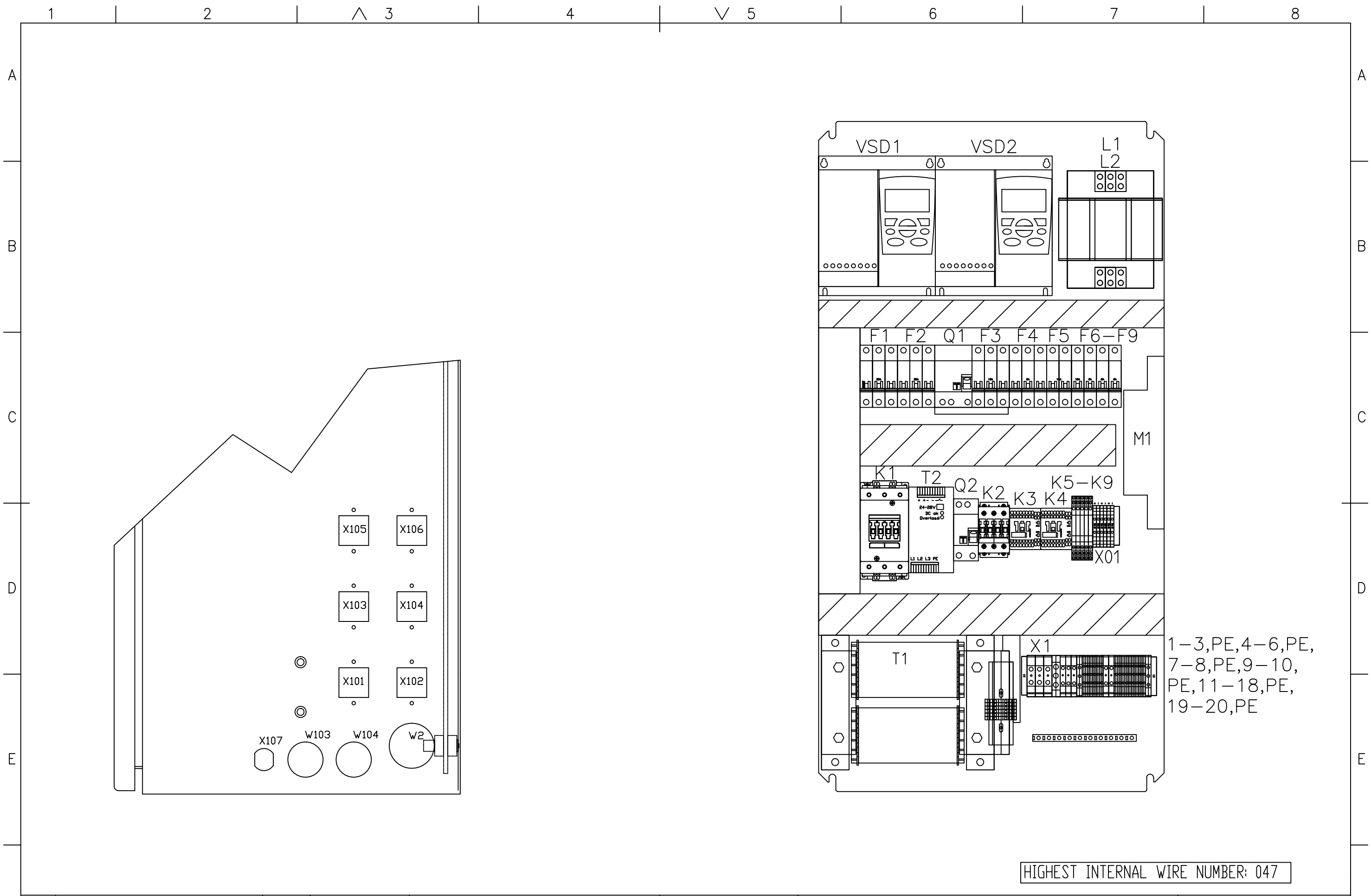
HTC Sweden AB
 Box 69 - 614 22 Söderköping
 T: +46 (0)121-29400
 F: +46 (0)121-15212
 All rights reserved - Copyright

ENGINEER	DJ
DRAWN BY	DJ
CHKD BY	
DATE	090306

HTC SWEDEN AB
 HTC 1500iXT
 PU1
 LAYOUT



SHEETS TOTAL	13	SHEET	3
DOC NO	112691	Rev.	C



C	CABLE NO. CHANGED	ML	121016
B	CONNECTOR CHANGE	DJ	090512
A	WIRE NUMBER CHANGE	DJ	090324
REV.	REV. DESC	SIGN.	DATE

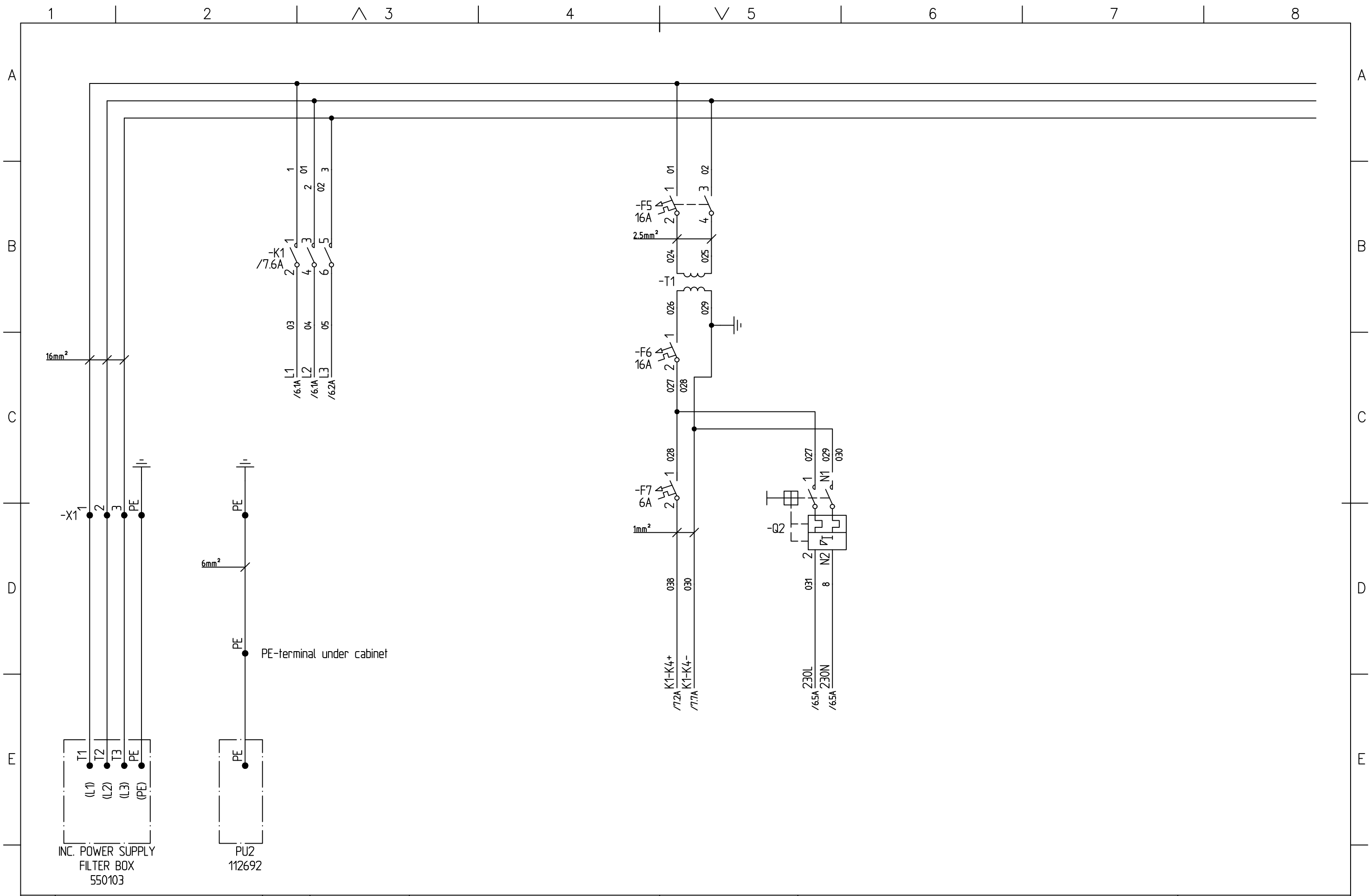


HTC Sweden AB
 Box 69 - 614 22 Söderköping
 T: +46 (0)121-29400
 F: +46 (0)121-15212
 All rights reserved - Copyright

ENGINEER	DJ
DRAWN BY	DJ
CHKD BY	
DATE	090306

HTC SWEDEN AB
 HTC 1500iXT
 PU1
 LAYOUT

SHEETS TOTAL	13	SHEET	4
DOC NO	112691	Rev.	C



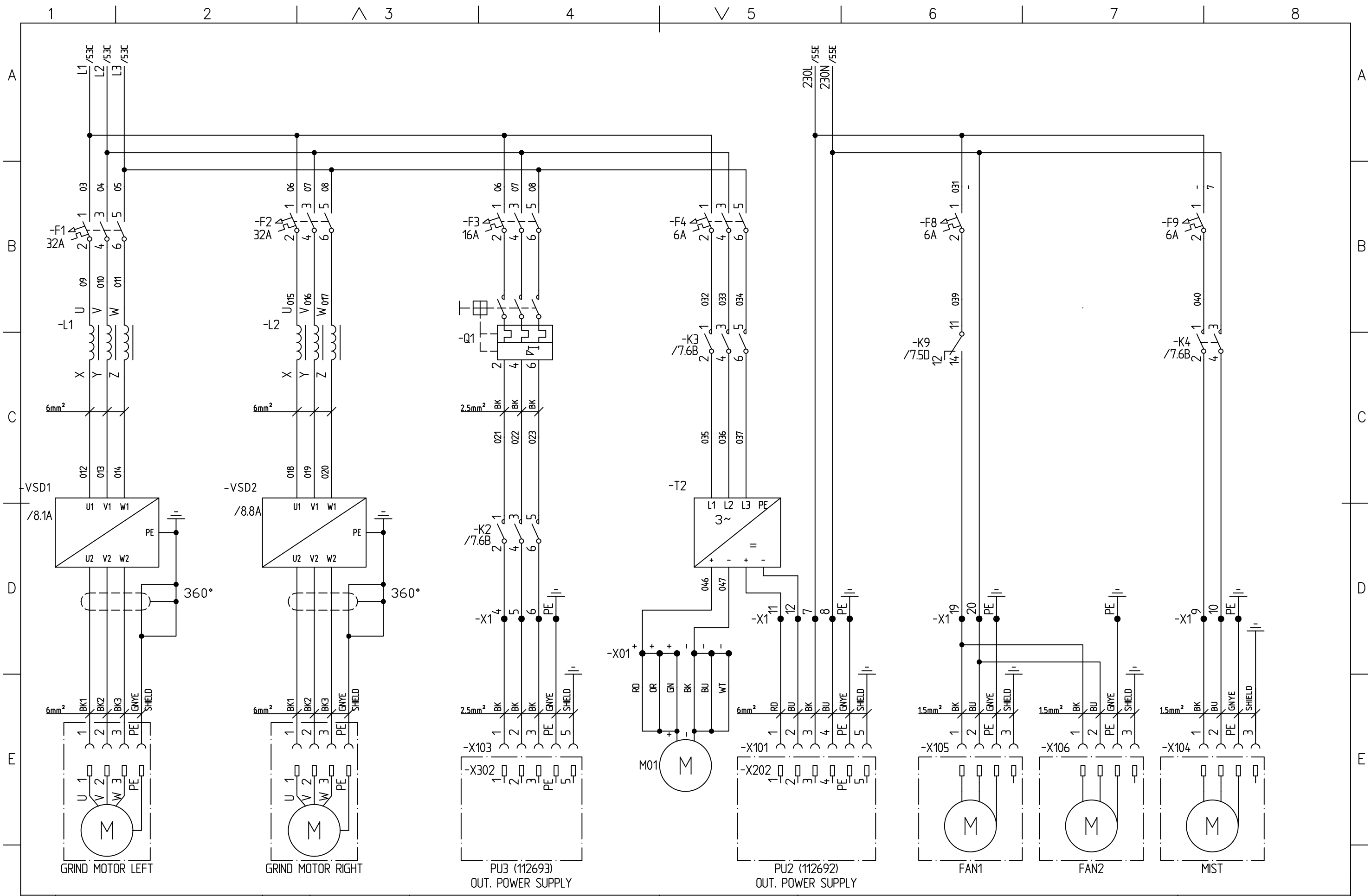
C	NEW DESIGN	ML	121016
B	CONNECTOR CHANGE	DJ	090512
A	WIRE NUMBER CHANGE	DJ	090324
REV.	REV. DESC	SIGN.	DATE

HTC Sweden AB
 Box 69 - 614 22 Söderköping
 T: +46 (0)121-29400
 F: +46 (0)121-15212
 All rights reserved - Copyright

ENGINEER DJ
 DRAWN BY DJ
 CHKD BY
 DATE 090306

HTC SWEDEN AB
 HTC 1500iXT
 PU1
 CIRCUIT DIAGRAM

SHEETS TOTAL	13	SHEET	5
DOC NO	112691	Rev.	C



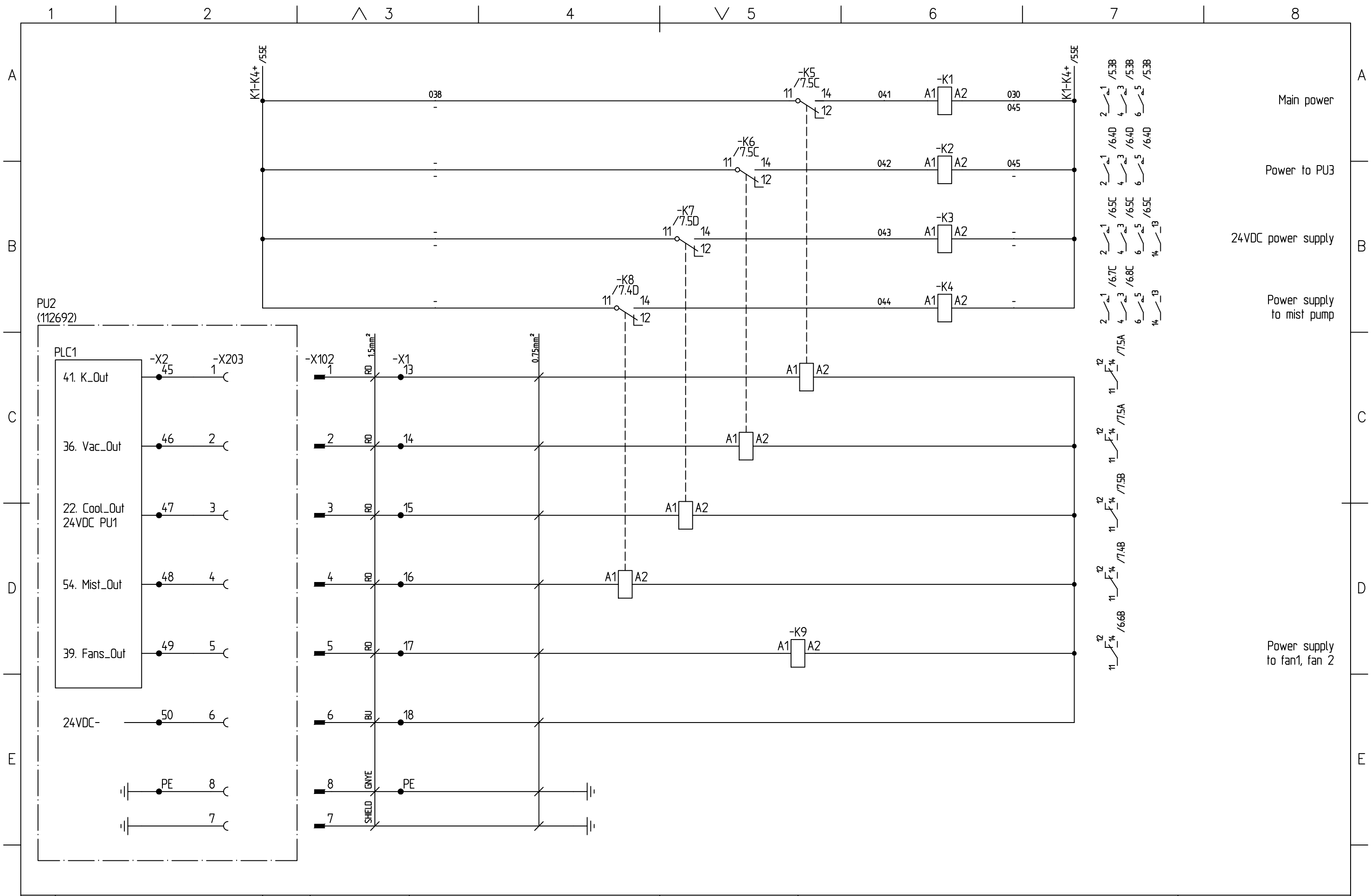
C	NEW DESIGN	ML	121016
B	CONNECTOR CHANGE	DJ	090512
A	WIRE NUMBER CHANGE	DJ	090324
REV.	REV. DESC	SIGN.	DATE

HTC Sweden AB
 Box 69 - 614 22 Söderköping
 T: +46 (0)121-29400
 F: +46 (0)121-15212
 All rights reserved - Copyright

ENGINEER DJ
 DRAWN BY DJ
 CHKD BY
 DATE 090306

HTC SWEDEN AB
 HTC 1500iXT
 PU1
 CIRCUIT DIAGRAM

SHEETS TOTAL	13	SHEET	6
DOC NO	112691	Rev.	C



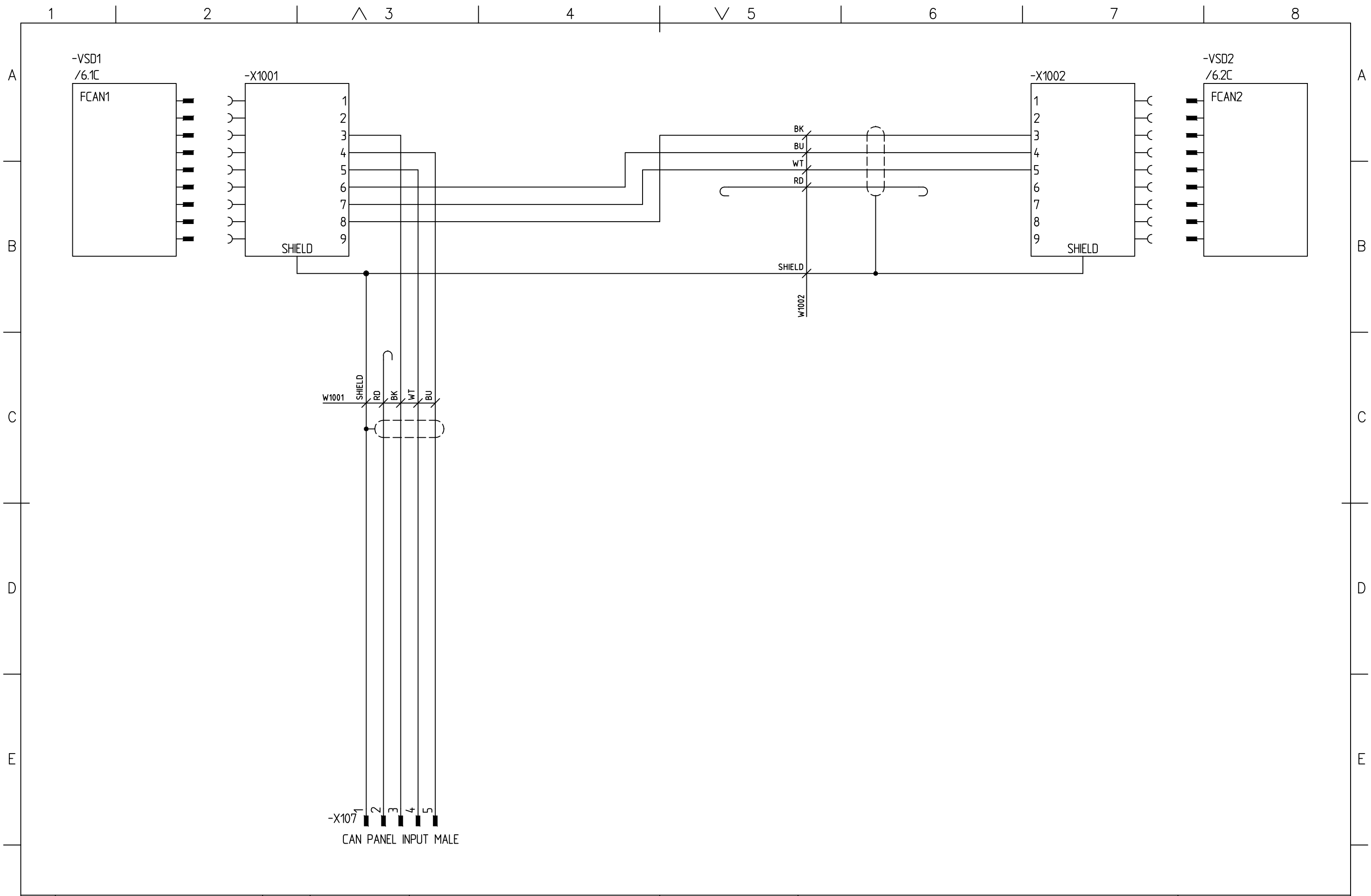
C	NEW DESIGN	ML	121016
B	CONNECTOR CHANGE	DJ	090512
A	WIRE NUMBER CHANGE	DJ	090324
REV.	REV. DESC	SIGN.	DATE

HTC Sweden AB
 Box 69 - 614 22 Söderköping
 T: +46 (0)121-29400
 F: +46 (0)121-15212
 All rights reserved - Copyright

ENGINEER DJ
 DRAWN BY DJ
 CHKD BY
 DATE 090306

HTC SWEDEN AB
 HTC 1500iXT
 PU1
 CIRCUIT DIAGRAM

SHEETS TOTAL	13	SHEET	7
DOC NO	112691	Rev.	C



C	NEW DESIGN	ML	121016
B	CONNECTOR CHANGE	DJ	090512
A	WIRE NUMBER CHANGE	DJ	090324
REV.	REV. DESC	SIGN.	DATE

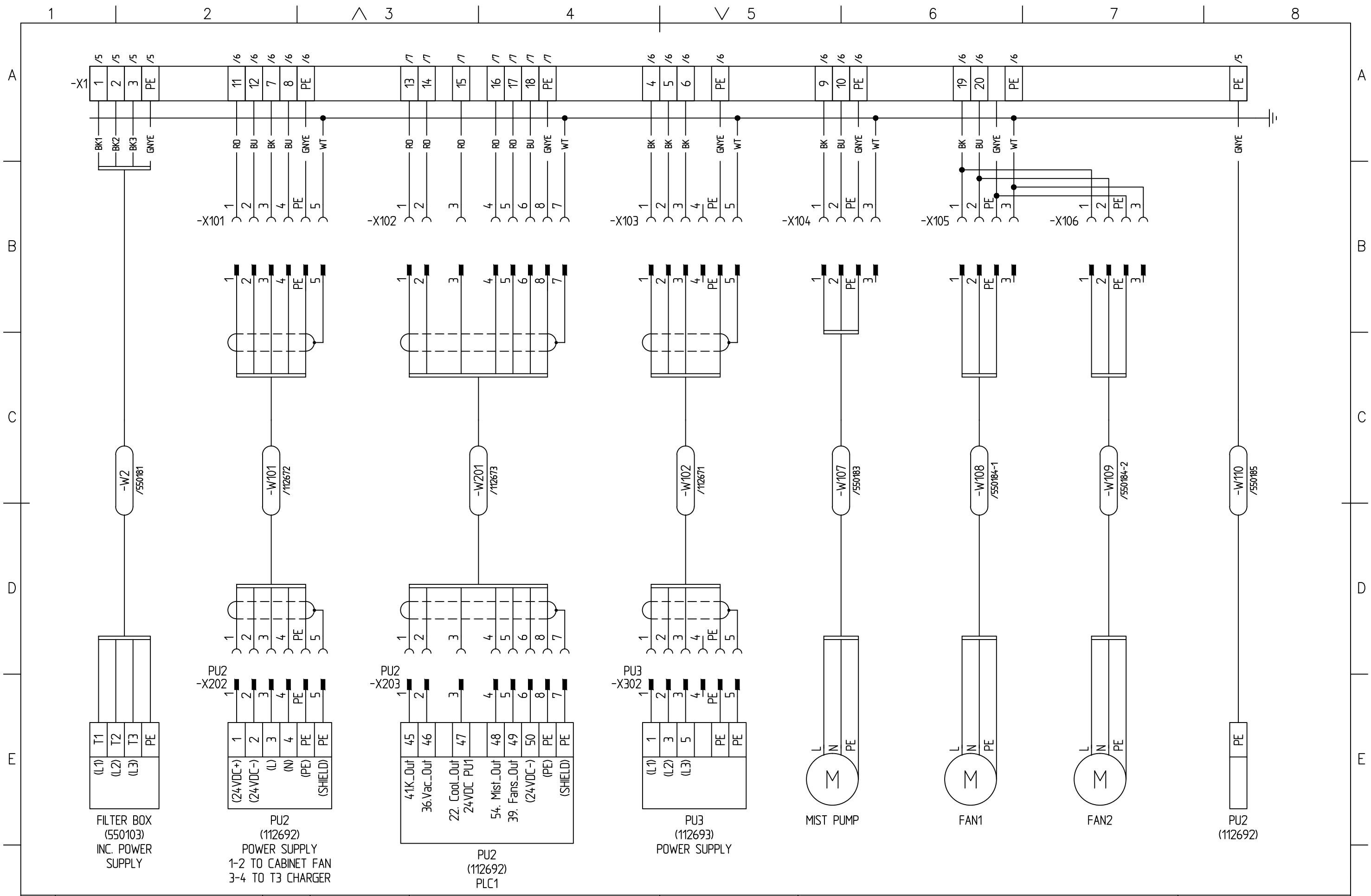


HTC Sweden AB
 Box 69 - 614 22 Söderköping
 T: +46 (0)121-29400
 F: +46 (0)121-15212
 All rights reserved - Copyright

ENGINEER	DJ
DRAWN BY	DJ
CHKD BY	
DATE	090306

HTC SWEDEN AB
 HTC 1500iXT
 PU1
 CIRCUIT DIAGRAM

SHEETS TOTAL	13	SHEET	8
DOC NO	112691	Rev.	C



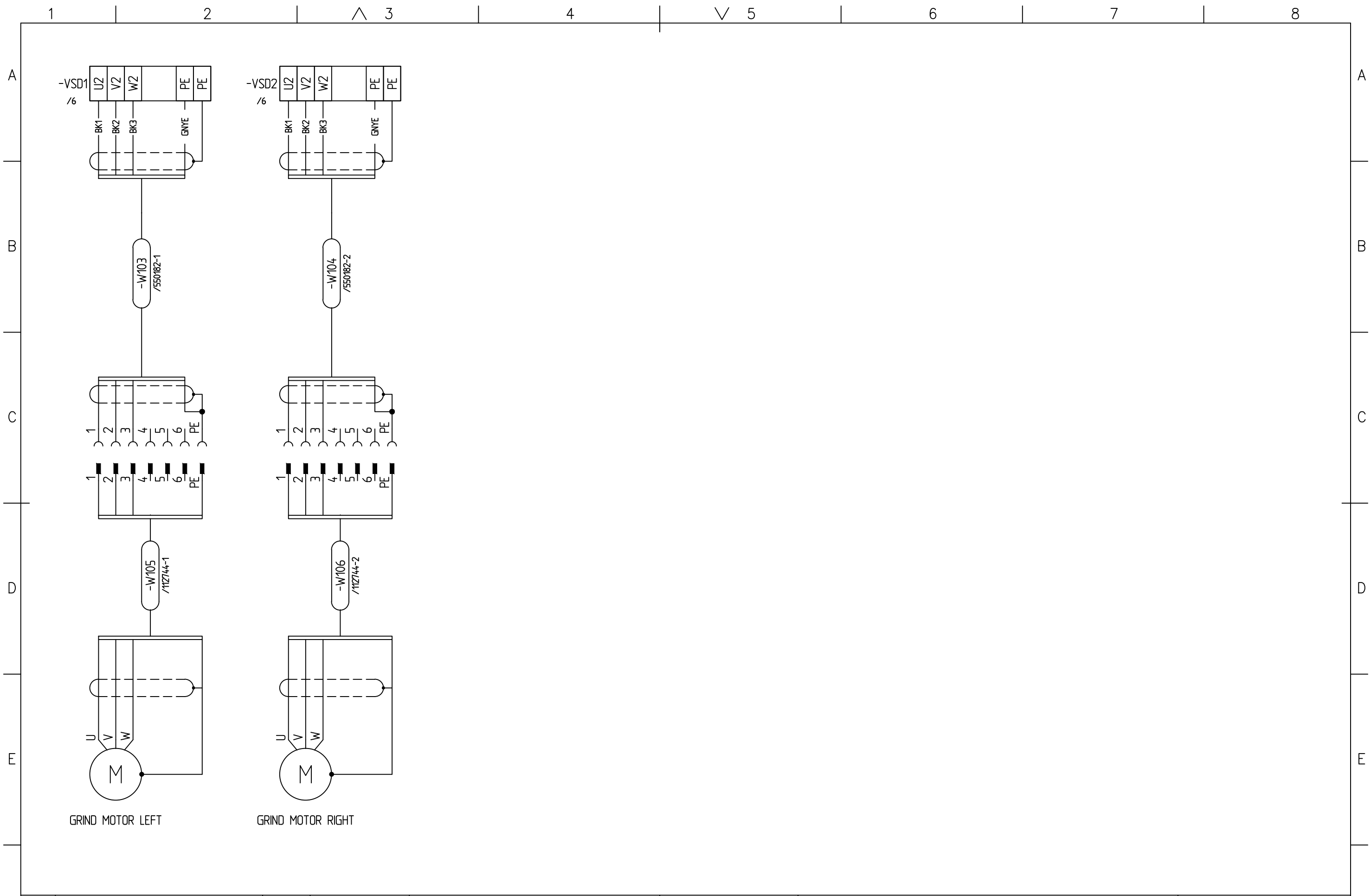
C	CABLE. NO CHANGED	ML	121016
B	CONNECTOR CHANGE	DJ	090512
A	WIRE NUMBER CHANGE	DJ	030924
REV.	REV. DESC	SIGN.	DATE

HTC Sweden AB
 Box 69 - 614 22 Söderköping
 T: +46 (0)121-29400
 F: +46 (0)121-15212
 All rights reserved - Copyright

ENGINEER DJ
 DRAWN BY DJ
 CHKD BY
 DATE 090306

HTC SWEDEN AB
 HTC 1500iXT
 PU1
 EXT. CONNECTION DIAGRAM

SHEETS TOTAL	13	SHEET	9
DOC NO	112691	Rev.	C



C	CABLE. NO CAHNGED	ML	121016
B	CONNECTOR CHANGE	DJ	090512
A	WIRE NUMBER CHANGE	DJ	030924
REV.	REV. DESC	SIGN.	DATE


HTC Sweden AB
 Box 69 - 614 22 Söderköping
 T: +46 (0)121-29400
 F: +46 (0)121-15212
 All rights reserved - Copyright

ENGINEER	DJ
DRAWN BY	DJ
CHKD BY	
DATE	090306

HTC SWEDEN AB
 HTC 1500iXT
 PU1
 EXT. CONNECTION DIAGRAM

SHEETS TOTAL	13	SHEET	10
DOC NO	112691	Rev.	C

1	2	3	4	5	6	7	8	
ITEM	TAG	QTY	DESIGNATION	HTC NO.	CATALOGUE NO.	MANUFACTURER	DATA	REMARK
	-EN1	1	Enclosure		KOT61323	Ensto	550x1000x250, RAL9005	
A	-F1	1	MCB		5SY4 332-7	Siemens	3-Pole, 32A, Type C	A
		1	Busbar		5ST3 643	Siemens	Busbar for 2 MCB 3-pole	
	-F2	1	MCB		5SY4 332-7	Siemens	3-Pole, 32A, Type C	
	-F3	1	MCB		5SY4 316-7	Siemens	3-Pole, 16A, Type C	
		1	Busbar		5ST3 643	Siemens	Busbar for 2 MCB 3-pole	
	-F4	1	MCB		5SY4 306-7	Siemens	3-Pole, 6A, Type C	
B	-F5	1	MCB		5SY4 216-8	Siemens	2-Pole, 16A, Type D	B
	-F6	1	MCB		5SY6 116-7	Siemens	1-Pole, 16A, Type C	
	-F7	1	MCB		5SY6 106-6	Siemens	1-Pole, 6A, Type C	
	-F8	1	MCB		5SY4 106-7	Siemens	1-Pole, 6A, Type C	
	-F9	1	MCB		5SY4 106-7	Siemens	1-Pole, 6A, Type C	
	-K1	1	Contactactor		3RT10 46-1AL20	Siemens	230VAC, 3-Pole, 95A	
C	-K2	1	Contactactor		3RT10 25-1AL20	Siemens	230VAC, 3-Pole, 17A	C
	-K3	1	Contactactor		3RT10 15-1AP01	Siemens	230VAC, 3-Pole, 7A	
	-K4	1	Contactactor		3RT10 15-1AP01	Siemens	230VAC, 3-Pole, 7A	
	-K5	1	Interface relay		8533640000	Weidmuller	24VDC, 1CO, 6A	
	-K6	1	Interface relay		8533640000	Weidmuller	24VDC, 1CO, 6A	
D	-K7	1	Interface relay		8533640000	Weidmuller	24VDC, 1CO, 6A	D
	-K8	1	Interface relay		8533640000	Weidmuller	24VDC, 1CO, 6A	
	-K9	1	Interface relay		8533640000	Weidmuller	24VDC, 1CO, 6A	
	-L1	1	Line choke		CHK-04	ABB	In 35A, Un 480V	
	-L2	1	Line choke		CHK-04	ABB	In 35A, Un 480V	
	-M01	1	Fan		AA-150-24-44-00-XX	Supercool	24VDC, 150W	
E	-Q1	1	RCCD		5SM2 435-6	Siemens	400VAC, 63A, 100mA	E
	-Q2	1	RCCD		5SM3 311-6	Siemens	125-230VAC, 16A, 30mA	

C	NEW DEISGN	ML	121016
B	CONNECTOR CHANGE	DJ	090512
A	WIRE NUMBER CHANGE	DJ	090324
REV.	REV. DESC	SIGN.	DATE



HTC Sweden AB
 Box 69 - 614 22 Söderköping
 T: +46 (0)121-29400
 F: +46 (0)121-15212
 All rights reserved - Copyright

ENGINEER	DJ
DRAWN BY	DJ
CHKD BY	
DATE	090306

HTC SWEDEN AB
 HTC 1500iXT
 PU1
 BOM

SHEETS TOTAL	13	SHEET	11
DOC NO	112691	Rev.	C

1	2	3	4	5	6	7	8	
ITEM	TAG	QTY	DESIGNATION	HTC NO.	CATALOGUE NO.	MANUFACTURER	DATA	REMARK
A	-T1	1	Transformer		15031	Tramo ETV	400-460-480/230VAC, 2.8kVA	
	-T2	1	Power supply		QT20.241	Puls	380-480VAC/24VDC, 20A	
	-VSD1	1	Frequency converter		ACS355-03E-23A1-4	ABB	380-480VAC, 11kW	
B		1	Control panel		ACS-CP-A	ABB		
		1	Fieldbus Canopen module		FCAN-01	ABB		
	-VSD2	1	Frequency converter		ACS355-03E-23A1-4	ABB	380-480VAC, 11kW	
C		1	Control panel		ACS-CP-A	ABB		
		1	Fieldbus Canopen module		FCAN-01	ABB		
	-W2	1	Cable				Se drawing:550181	
D	-W101	1	Cable				Se drawing:112672	
	-W102	1	Cable				Se drawing:112671	
	-W103	1	Cable				Se drawing:550182-1	
E	-W104	1	Cable				Se drawing:550182-2	
	-W105	1	Cable				Se drawing:112744-1	
	-W106	1	Cable				Se drawing:112744-2	
F	-W107	1	Cable				Se drawing:550183	
	-W108	1	Cable				Se drawing:550184-1	
	-W109	1	Cable				Se drawing:550184-2	
G	-W110	1	Cable				Se drawing:550185	
	-W201	1	Cable				Se drawing:112673	
	-X01	1	End bracket WEW35/2		1061200000	Weidmuller		
H		3	Terminal WDU2.5		1020000000	Weidmuller		
		3	Terminal WDU2.5BL		1020080000	Weidmuller		
		2	Cross-connection WQV2.5/5		1053960000	Weidmuller		
I	-X1	1	End bracket WEW35/2		1061200000	Weidmuller		
		3	Terminal WDU16		1020400000	Weidmuller		
		1	Earth terminal WPE16		1010400000	Weidmuller		
J		4	Terminal WDU6		1020200000	Weidmuller		
		2	Earth terminal WPE6		1010200000	Weidmuller		
		1	Terminal WDU6BL		1020280000	Weidmuller		
K		8	Terminal WDU2.5		1020000000	Weidmuller		
		4	Terminal WDU2.5BL		1020080000	Weidmuller		
		3	Earth terminal WPE2.5		1010000000	Weidmuller		

C	CABLE NO./FREQUENCY CON. CHANGED	ML	121016
B	CONNECTOR CHANGE	DJ	090512
A	WIRE NUMBER CHANGE	DJ	090324
REV.	REV. DESC	SIGN.	DATE



HTC Sweden AB
 Box 69 - 614 22 Söderköping
 T: +46 (0)121-29400
 F: +46 (0)121-15212
 All rights reserved - Copyright

ENGINEER	DJ
DRAWN BY	DJ
CHKD BY	
DATE	090306

HTC SWEDEN AB
 HTC 1500iXT
 PU1
 BOM

SHEETS TOTAL	13	SHEET	12
DOC NO	112691	Rev.	C

1	2	3	4	5	6	7	8	
ITEM	TAG	QTY	DESIGNATION	HTC NO.	CATALOGUE NO.	MANUFACTURER	DATA	REMARK
A	-X101	1	Female insert Han Q5/0		09 12 005 3101	Harting	5 poles+PE	
		5	Crimp female contact		09 33 000 6202	Harting		
		1	Housing Han 3A		09 20 003 0301	Harting		
	-X102	1	Male insert Han 7D		09 21 007 3031	Harting	7 poles+PE	
		8	Crimp male contact		09 15 000 6101	Harting		
		1	Housing Han 3A		09 20 003 0301	Harting		
B	-X103	1	Female insert Han Q5/0		09 12 005 3101	Harting	5 poles+PE	
		4	Crimp female contact		09 33 000 6202	Harting		
		1	Coding pin		09 33 000 9915	Harting		
		1	Housing Han 3A		09 20 003 0301	Harting		
	-X104	1	Female insert Han 3A screw		09 20 003 2711	Harting	3 poles+PE	
		1	Housing Han 3A		09 20 003 0301	Harting		
	-X105	1	Female insert Han 3A screw		09 20 003 2711	Harting	3 poles+PE	
		1	Housing Han 3A		09 20 003 0301	Harting		
	-X106	1	Female insert Han 3A screw		09 20 003 2711	Harting	3 poles+PE	
		1	Housing Han 3A		09 20 003 0301	Harting		
C	-X107	1	Can/devicenet male con.		1525649	Phoenix contact	5 pines	
	-X1001	1	Can bus connector		103662	Erni		with service connection
	-X1003	1	Can bus connector		103643	Erni		with bus termination
D								
E								
F	C	NEW DESIGN	ML	121016				
	B	CONNECTOR CHANGE	DJ	090512				
	A	WIRE NUMBER CHANGE	DJ	090324				
	REV.	REV. DESC	SIGN.	DATE				



HTC Sweden AB
 Box 69 - 614 22 Söderköping
 T: +46 (0)121-29400
 F: +46 (0)121-15212
 All rights reserved - Copyright

ENGINEER DJ
 DRAWN BY DJ
 CHKD BY
 DATE 090306

HTC SWEDEN AB
 HTC 1500iXT
 PU1
 BOM

SHEETS TOTAL 13 SHEET 13
 DOC NO 112691 Rev. C

HTC 1500iXT POWER UNIT 2

LIST OF DRAWINGS

FILENAME	DWGDESC	SH
112692E-01	LIST OF DRAWINGS	1
112692E-02	DESCRIPTION	2
112692E-03	LAYOUT	3
112692E-04	LAYOUT	4
112692E-05	CIRCUIT DIAGRAM	5
112692E-06	CIRCUIT DIAGRAM	6
112692E-07	CIRCUIT DIAGRAM	7
112692E-08	CIRCUIT DIAGRAM	8
112692E-09	CIRCUIT DIAGRAM	9
112692E-10	CIRCUIT DIAGRAM	10
112692E-11	CIRCUIT DIAGRAM	11
112692E-12	CIRCUIT DIAGRAM	12
112692E-13	CIRCUIT DIAGRAM	13
112692E-14	CIRCUIT DIAGRAM	14
112692E-15	CIRCUIT DIAGRAM	15
112692E-16	CIRCUIT DIAGRAM	16
112692E-17	CIRCUIT DIAGRAM	17
112692E-18	CIRCUIT DIAGRAM	18
112692E-19	CIRCUIT DIAGRAM	19
112692E-20	CIRCUIT DIAGRAM	20
112692E-21	CIRCUIT DIAGRAM	21
112692E-22	EXT. CONNECTION DIAGRAM	22
112692E-23	EXT. CONNECTION DIAGRAM	23
112692E-24	EXT. CONNECTION DIAGRAM	24
112692E-25	EXT. CONNECTION DIAGRAM	25
112692E-26	EXT. CONNECTION DIAGRAM	26
112692E-27	BOM	27
112692E-28	BOM	28
112692E-29	BOM	29

FILENAME	DWGDESC	SH
112692E-30	BOM	30
112692E-31	BOM	31
112692E-32	BOM	32

REV	REV DESC	SIGN	DATE
A	WIRE NO / CONNECTOR	DJ	091016
D	NEW DESIGN	ML	121016
C	CONNECTORS 7D -> 8D	DJ	091019
B	TERMINALS	DJ	091019
E	MCB BOX VALVES	JD	130701
REV.	REV. DESC	SIGN.	DATE



HTC Sweden AB
 Box 69 - 614 22 Söderköping
 T: +46 (0)121-29400
 F: +46 (0)121-15212
 All rights reserved - Copyright

ENGINEER	DJ
DRAWN BY	DJ
CHKD BY	
DATE	091016

HTC SWEDEN AB
 HTC 1500iXT
 PU2
 LIST OF DRAWINGS

SHEETS TOTAL	32	SHEET	1
DOC NO	112692	Rev.	E

DESCRIPTION FOR HTC 1500iXT POWER UNIT 2

SUPPLY: 230VAC AND 24VDC FORM PU1, POWER UNIT CONNECTOR 1 (PUC1)
24VDC BATTERY

- W204: LEFT DRIVE MOTOR (U)
- W205: LEFT DRIVE MOTOR (V)
- W206: LEFT DRIVE MOTOR (W)
- W207: RIGHT DRIVE MOTOR (U)
- W208: RIGHT DRIVE MOTOR (V)
- W209: RIGHT DRIVE MOTOR (W)
- W216: BI-STABLE RELAY (COIL)
- W217: CHAIR SWITCH
- W218: SENSOR FLOAT BACK
- W219: SENSOR FLOAT FRONT
- W220: SENSOR TOP
- W221: SENSOR LOCK
- W222: OUTLET VALVE
- W223: INLET VALVE LEFT
- W224: INLET VALVE RIGHT
- W225: KEY SWITCH
- W226 BI-STABLE RELAY (CONTACT)
- W227: BATTERY B2-
- W231: CONNECTION BOX
- X201: CANOPEN CONNECTOR
- X202: POWER UNIT CONNECTOR 1
- X203: POWER UNIT CONNECTOR 2
- X204: LIFTING ACTUATOR
- X205: BRAKE LEFT
- X206: BRAKE RIGHT
- X207: EM-STOP BACK
- X208: CONTROL BOX LEFT
- X209: CONTROL BOX RIGHT
- X210: MOTOR FEEDBACK LEFT
- X211: MOTOR FEEDBACK RIGHT

D	NEW DESIGN	ML	121016
C	CONNECTORS 7D -> 8D	DJ	091019
B	TERMINALS	DJ	091019
A	WIRE NO / CONNECTOR	DJ	091016
REV.	REV. DESC	SIGN.	DATE

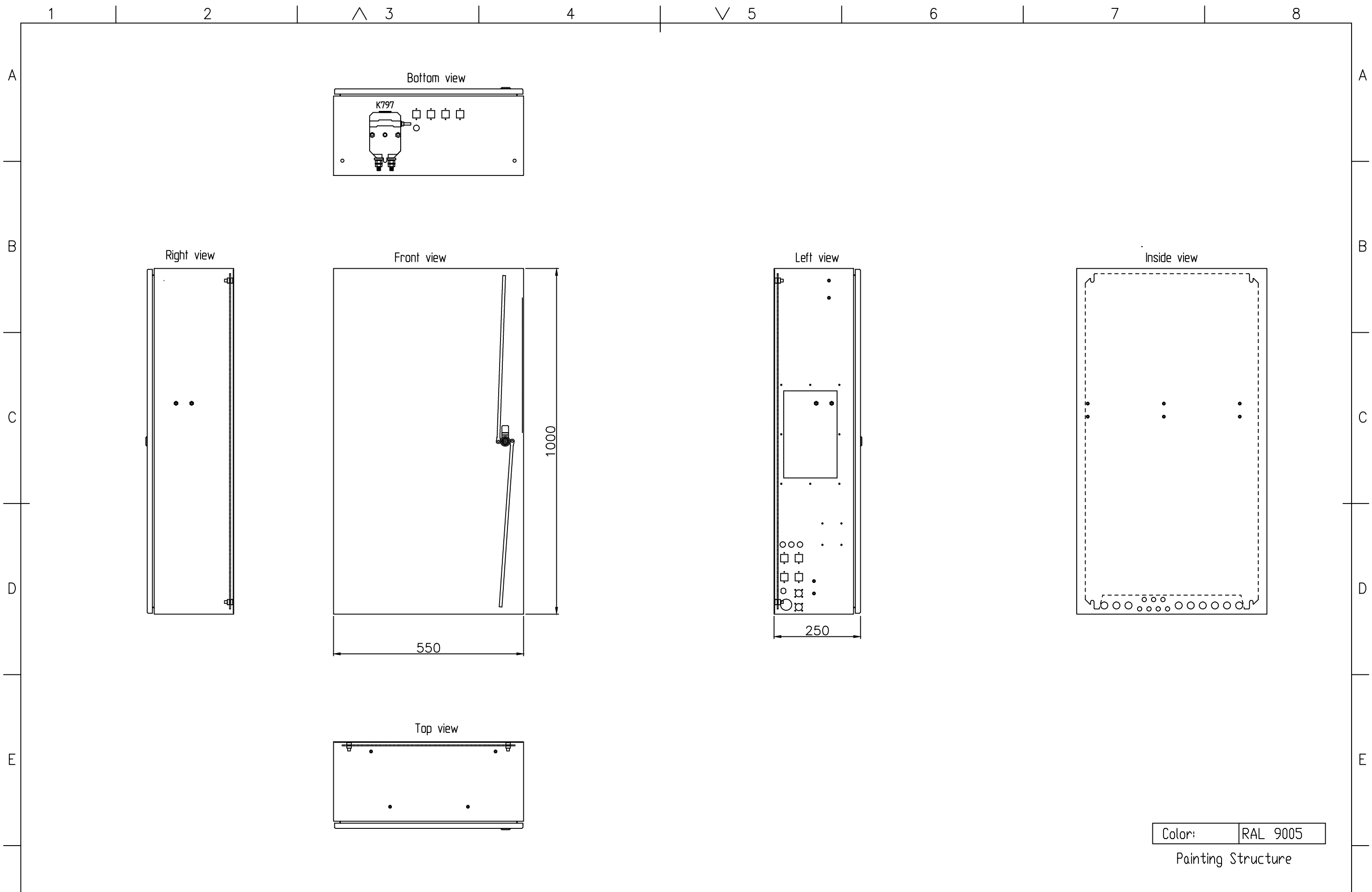


HTC Sweden AB
 Box 69 - 614 22 Söderköping
 T: +46 (0)121-29400
 F: +46 (0)121-15212
 All rights reserved - Copyright

ENGINEER	DJ
DRAWN BY	DJ
CHKD BY	
DATE	091016

HTC SWEDEN AB
 HTC 1500iXT
 PU2
 DESCRIPTION

SHEETS TOTAL	32	SHEET	2
DOC NO	112692	Rev.	E



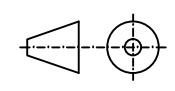
D	NEW DESIGN	ML	121016
C	CONNECTORS 7D -> 8D	DJ	091019
B	TERMINALS	DJ	091019
A	WIRE NO / CONNECTOR	DJ	091016
REV.	REV. DESC	SIGN.	DATE



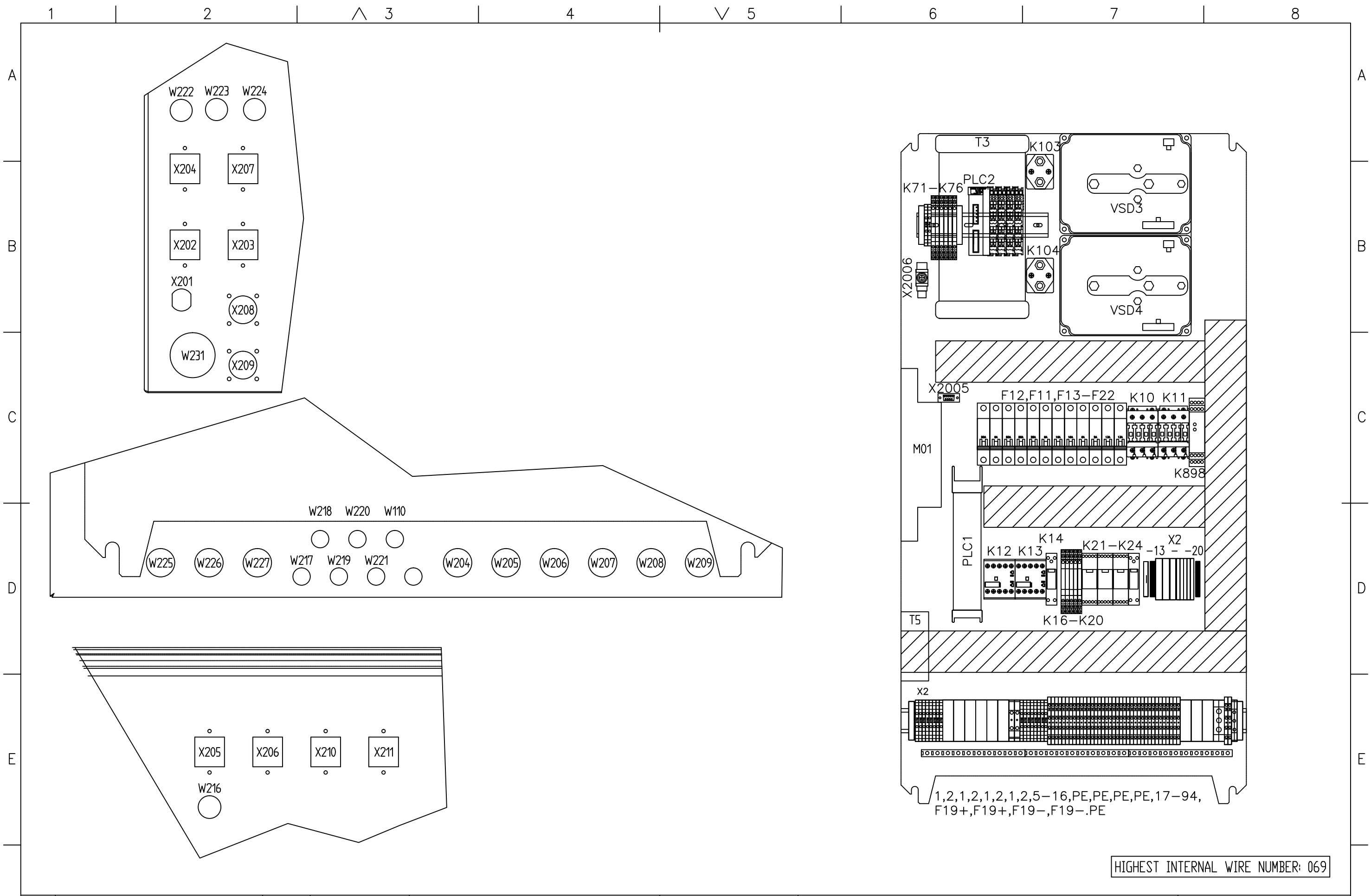
HTC Sweden AB
 Box 69 - 614 22 Söderköping
 T: +46 (0)121-29400
 F: +46 (0)121-15212
 All rights reserved - Copyright

ENGINEER	DJ
DRAWN BY	DJ
CHKD BY	
DATE	091016

HTC SWEDEN AB
 HTC 1500iXT
 PU2
 LAYOUT



SHEETS TOTAL	32	SHEET	3
DOC NO	112692	Rev.	E



D	NEW DESIGN	ML	121016
C	CONNECTORS 7D -> 8D	DJ	091019
B	TERMINALS	DJ	091019
E	MCB BOX VALVES	JD	130701
REV.	REV. DESC	SIGN.	DATE

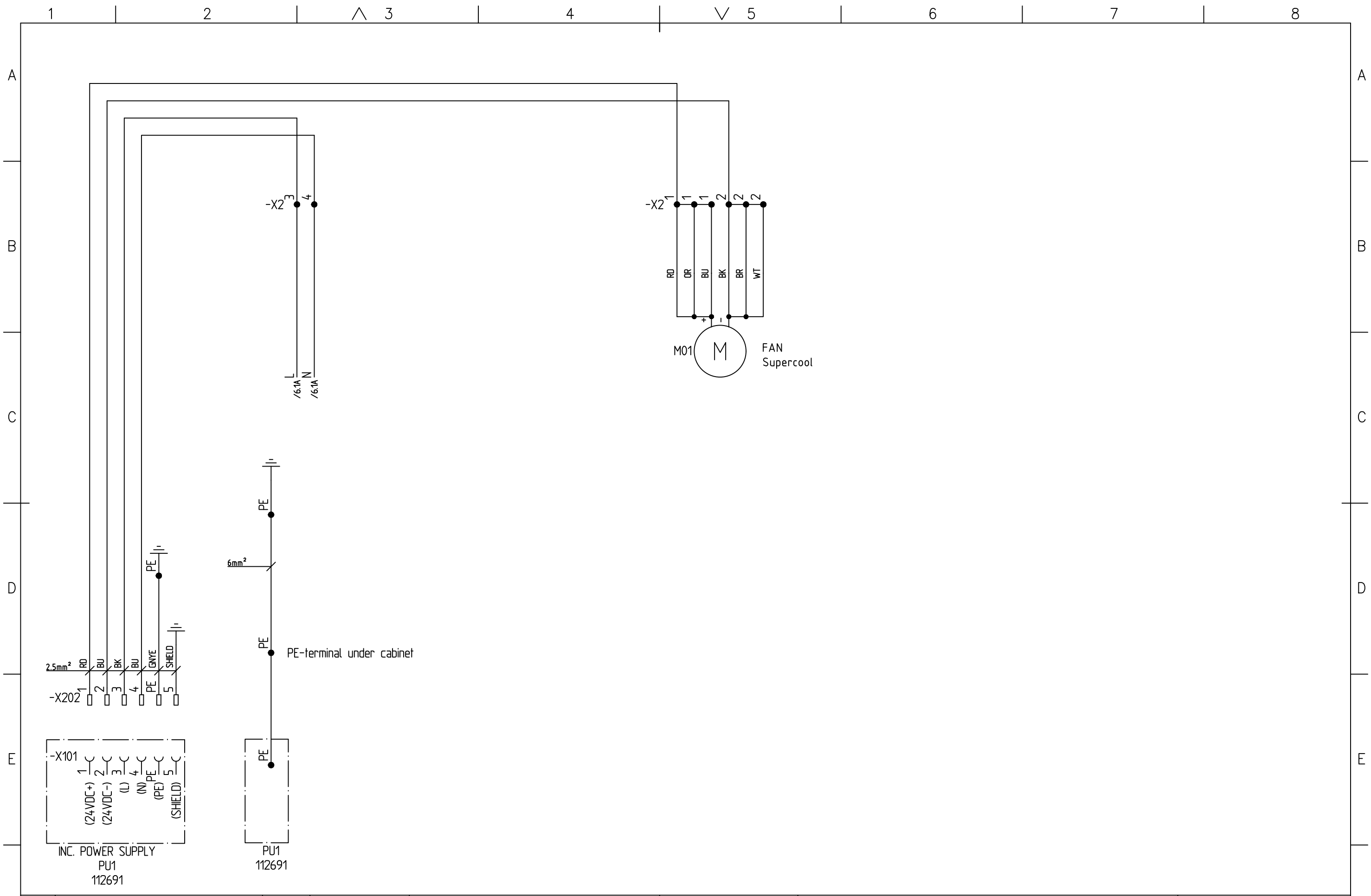


HTC Sweden AB
 Box 69 - 614 22 Söderköping
 T: +46 (0)121-29400
 F: +46 (0)121-15212
 All rights reserved - Copyright

ENGINEER	DJ
DRAWN BY	DJ
CHKD BY	
DATE	091016

HTC SWEDEN AB
 HTC 1500iXT
 PU2
 LAYOUT

SHEETS TOTAL	32	SHEET	4
DOC NO	112692	Rev.	E



D	NEW DESIGN	ML	121016
C	CONNECTORS 7D -> 8D	DJ	091019
B	TERMINALS	DJ	091019
E	MCB BOX VALVES	JD	130701
REV.	REV. DESC	SIGN.	DATE

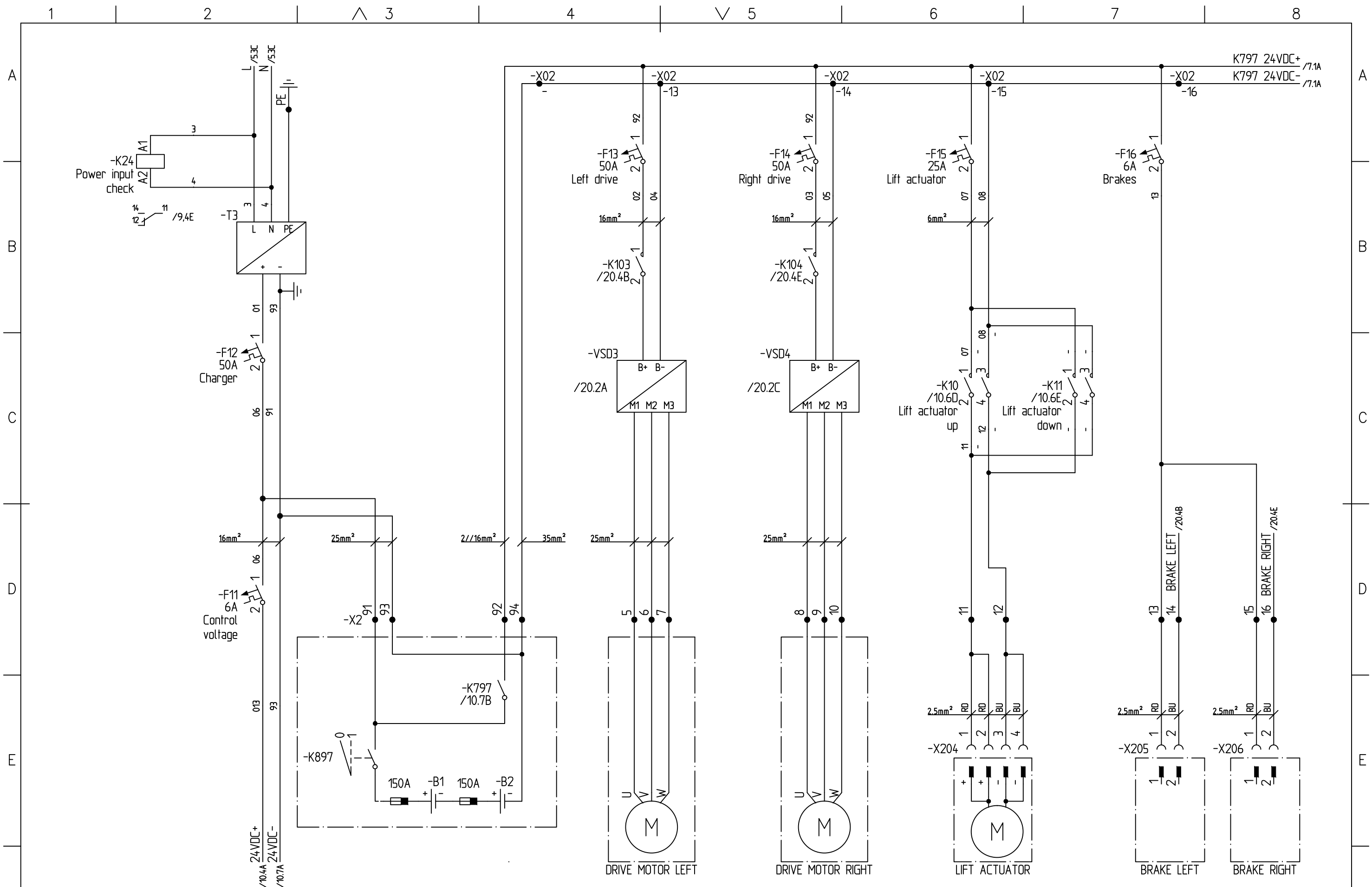


HTC Sweden AB
 Box 69 - 614 22 Söderköping
 T: +46 (0)121-29400
 F: +46 (0)121-15212
 All rights reserved - Copyright

ENGINEER	DJ
DRAWN BY	DJ
CHKD BY	
DATE	091016

HTC SWEDEN AB
 HTC 1500iXT
 PU2
 CIRCUIT DIAGRAM

SHEETS TOTAL	32	SHEET	5
DOC NO	112692	Rev.	E



D	NEW DESIGN	ML	121016
C	CONNECTORS 7D -> 8D	DJ	091019
B	TERMINALS	DJ	091019
E	MCB BOX VALVES	JD	130701
REV.	REV. DESC	SIGN.	DATE

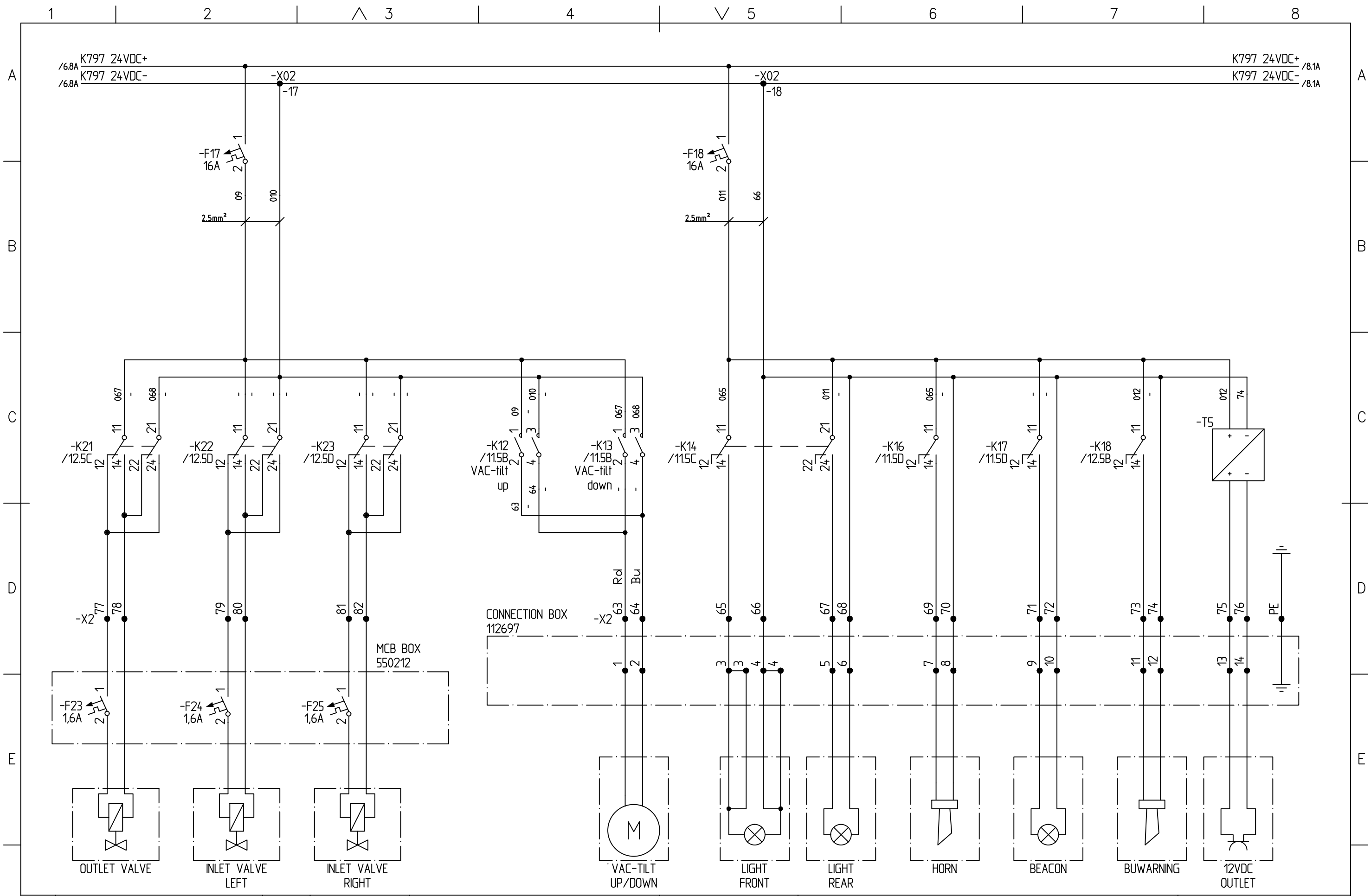


HTC Sweden AB
 Box 69 - 614 22 Söderköping
 T: +46 (0)121-29400
 F: +46 (0)121-15212
 All rights reserved - Copyright

ENGINEER	DJ
DRAWN BY	DJ
CHKD BY	
DATE	091016

HTC SWEDEN AB
 HTC 1500iXT
 PU2
 CIRCUIT DIAGRAM

SHEETS TOTAL	32	SHEET	6
DOC NO	112692	Rev.	E



D	NEW DESIGN	ML	121016
C	CONNECTORS 7D -> 8D	DJ	091019
B	TERMINALS	DJ	091019
E	MCB BOX VALVES	JD	130701
REV.	REV. DESC	SIGN.	DATE

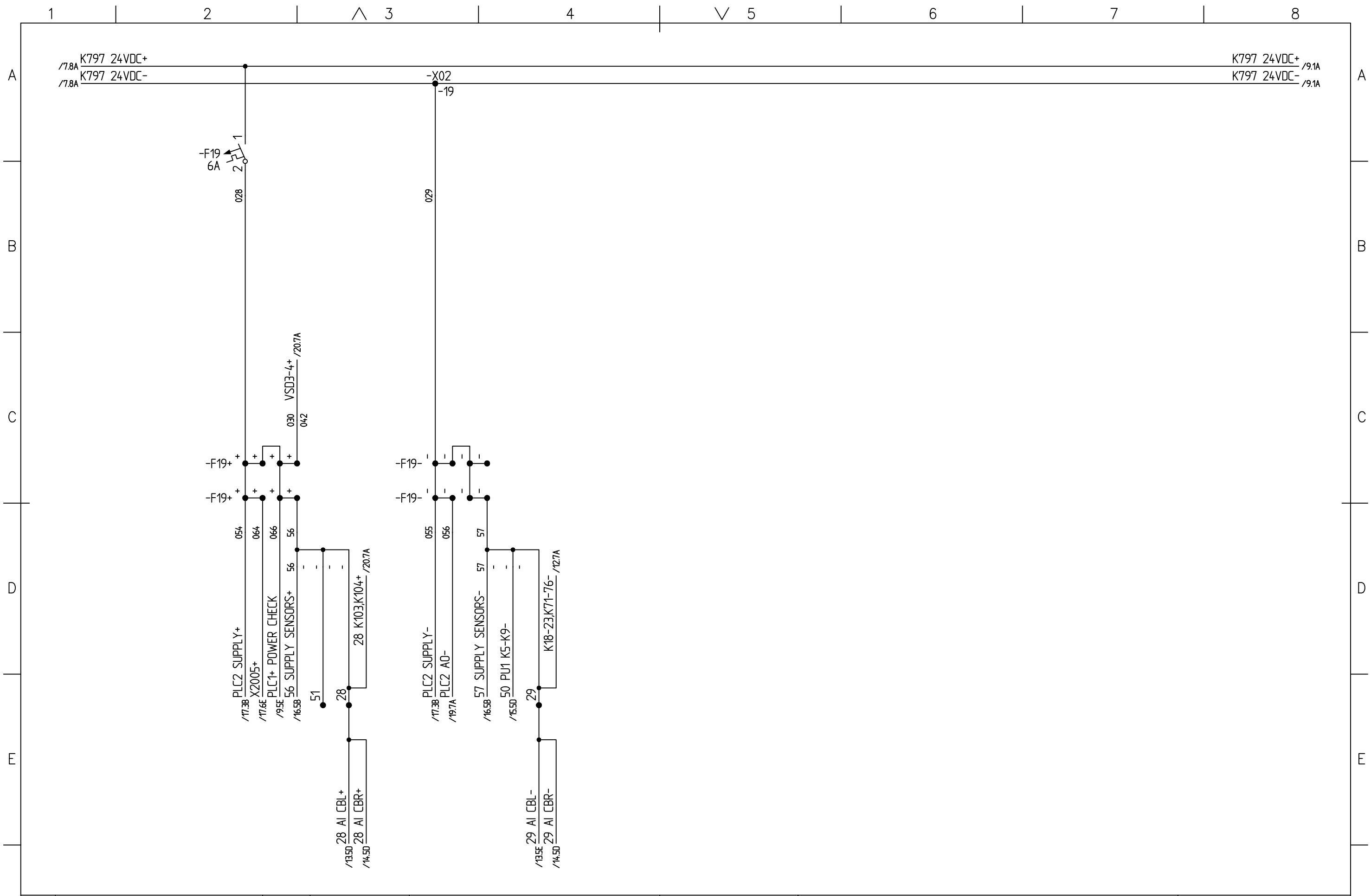


HTC Sweden AB
 Box 69 - 614 22 Söderköping
 T: +46 (0)121-29400
 F: +46 (0)121-15212
 All rights reserved - Copyright

ENGINEER	DJ
DRAWN BY	DJ
CHKD BY	
DATE	091016

HTC SWEDEN AB
 HTC 1500iXT
 PU2
 CIRCUIT DIAGRAM

SHEETS TOTAL	32	SHEET	7
DOC NO	112692	Rev.	E



D	NEW DESIGN	ML	121016
C	CONNECTORS 7D -> 8D	DJ	091019
B	TERMINALS	DJ	091019
E	MCB BOX VALVES	JD	130701
REV.	REV. DESC	SIGN.	DATE

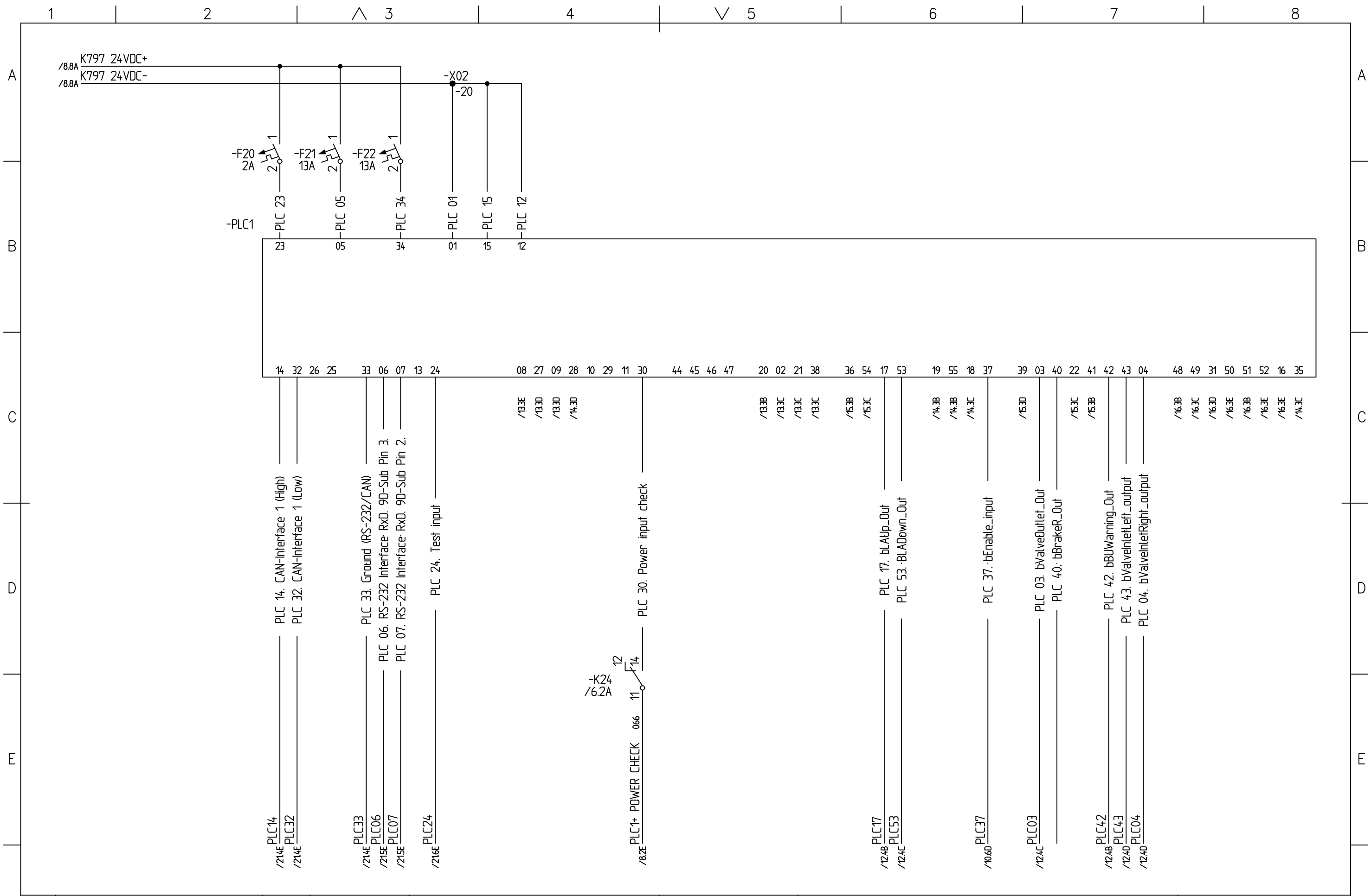


HTC Sweden AB
 Box 69 - 614 22 Söderköping
 T: +46 (0)121-29400
 F: +46 (0)121-15212
 All rights reserved - Copyright

ENGINEER	DJ
DRAWN BY	DJ
CHKD BY	
DATE	091016

HTC SWEDEN AB
 HTC 1500iXT
 PU2
 CIRCUIT DIAGRAM

SHEETS TOTAL	32	SHEET	8
DOC NO	112692	Rev.	E



D	NEW DESIGN	ML	121016
C	CONNECTORS 7D -> 8D	DJ	091019
B	TERMINALS	DJ	091019
E	MCB BOX VALVES	JD	130701
REV.	REV. DESC	SIGN.	DATE

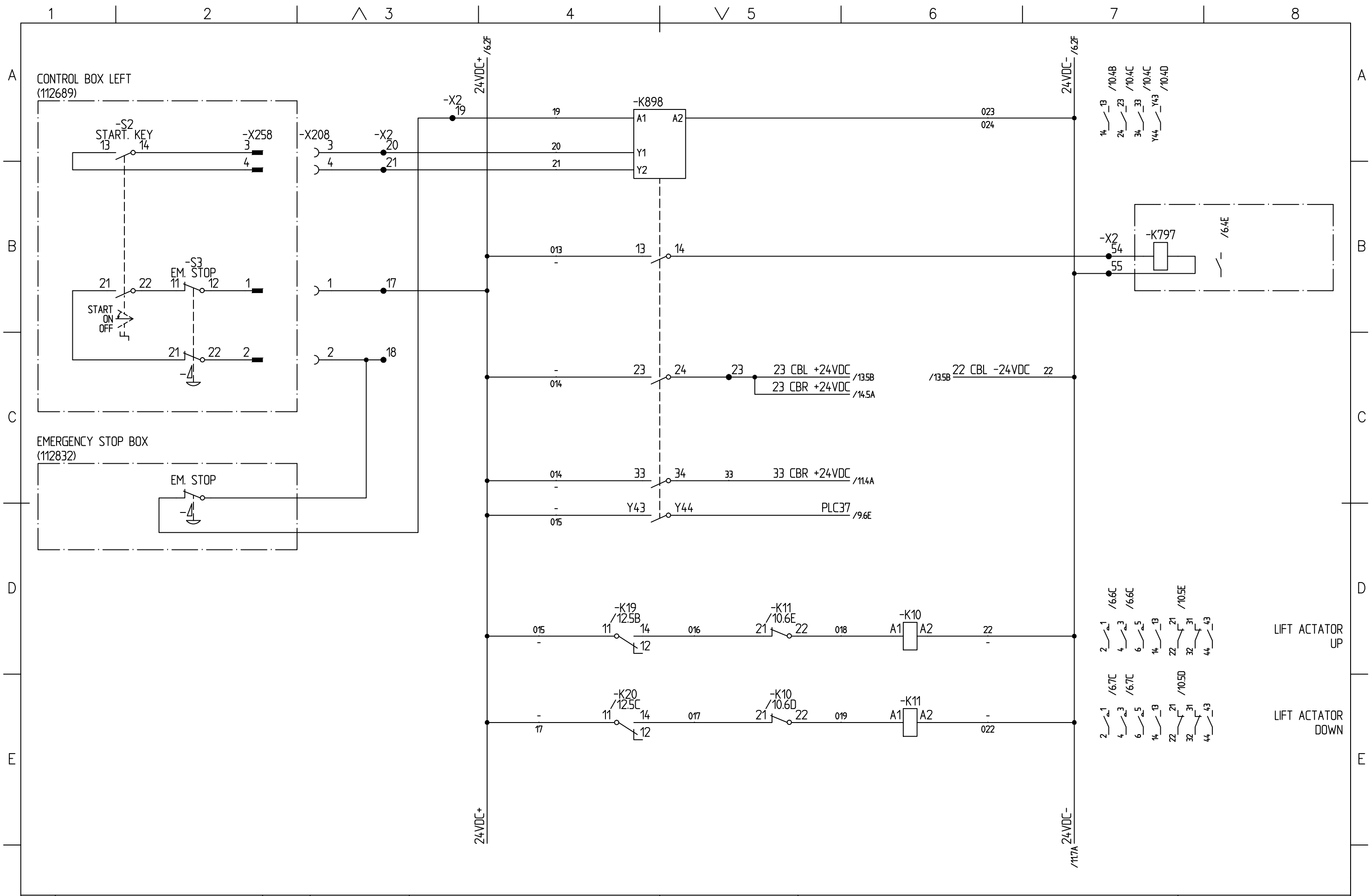


HTC Sweden AB
 Box 69 - 614 22 Söderköping
 T: +46 (0)121-29400
 F: +46 (0)121-15212
 All rights reserved - Copyright

ENGINEER	DJ
DRAWN BY	DJ
CHKD BY	
DATE	091016

HTC SWEDEN AB
 HTC 1500iXT
 PU2
 CIRCUIT DIAGRAM

SHEETS TOTAL	32	SHEET	9
DOC NO	112692	Rev.	E



D	NEW DESIGN	ML	121016
C	CONNECTORS 7D -> 8D	DJ	091019
B	TERMINALS	DJ	091019
E	MCB BOX VLAVES	JD	130701
REV.	REV. DESC	SIGN.	DATE



HTC Sweden AB
 Box 69 - 614 22 Söderköping
 T: +46 (0)121-29400
 F: +46 (0)121-15212
 All rights reserved - Copyright

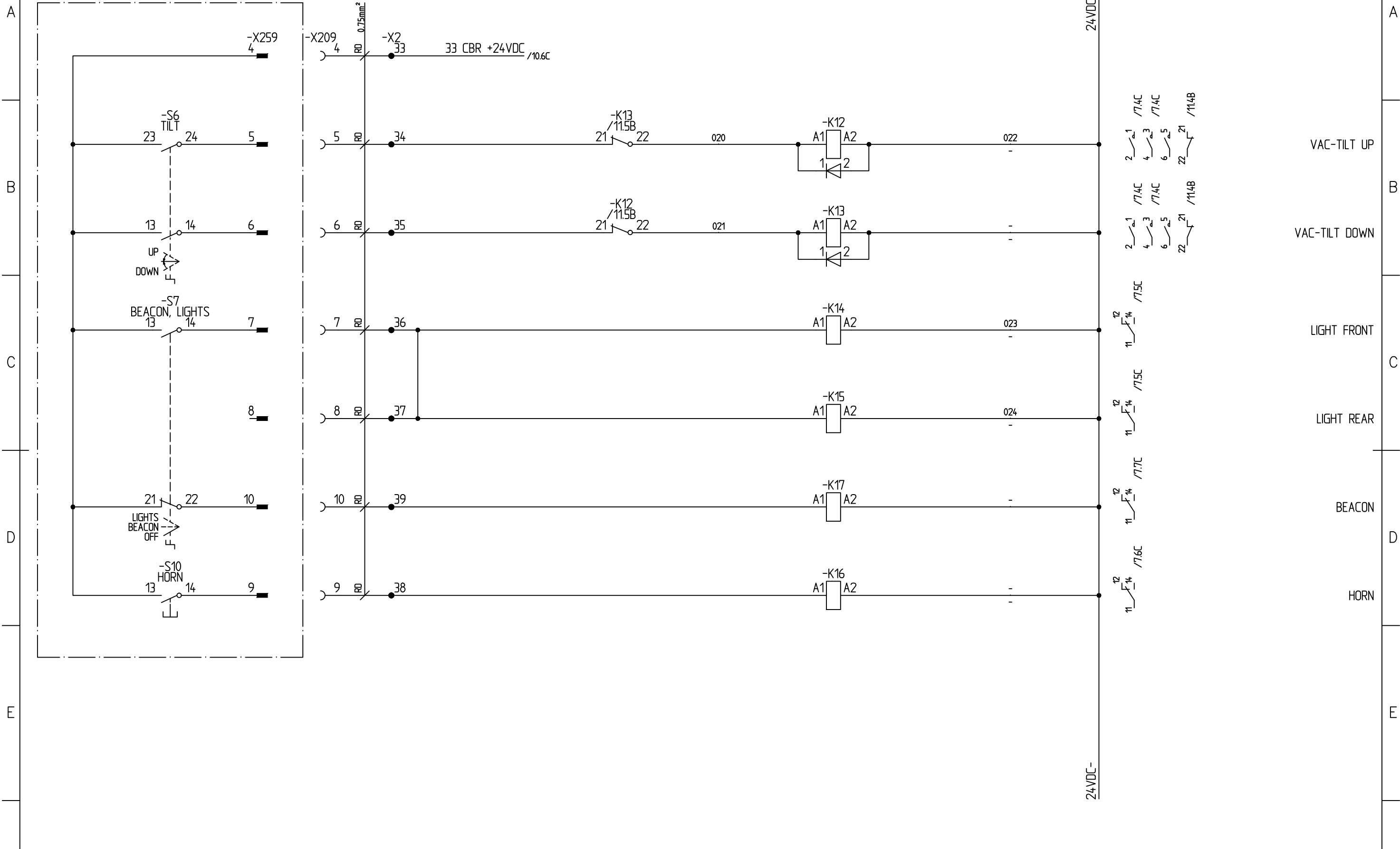
ENGINEER	DJ
DRAWN BY	DJ
CHKD BY	
DATE	091016

HTC SWEDEN AB
 HTC 1500iXT
 PU2
 CIRCUIT DIAGRAM

SHEETS TOTAL	32	SHEET	10
DOC NO	112692	Rev.	E

HTC 1500iXT to Machine no 43 (150120925)

CONTROL BOX RIGHT
(112690)



D	NEW DESIGN	ML	121016
C	CONNECTORS 7D -> 8D	DJ	091019
B	TERMINALS	DJ	091019
E	MCB BOX VALVES	JD	130701
REV.	REV. DESC	SIGN.	DATE



HTC Sweden AB
 Box 69 - 614 22 Söderköping
 T: +46 (0)121-29400
 F: +46 (0)121-15212
 All rights reserved - Copyright

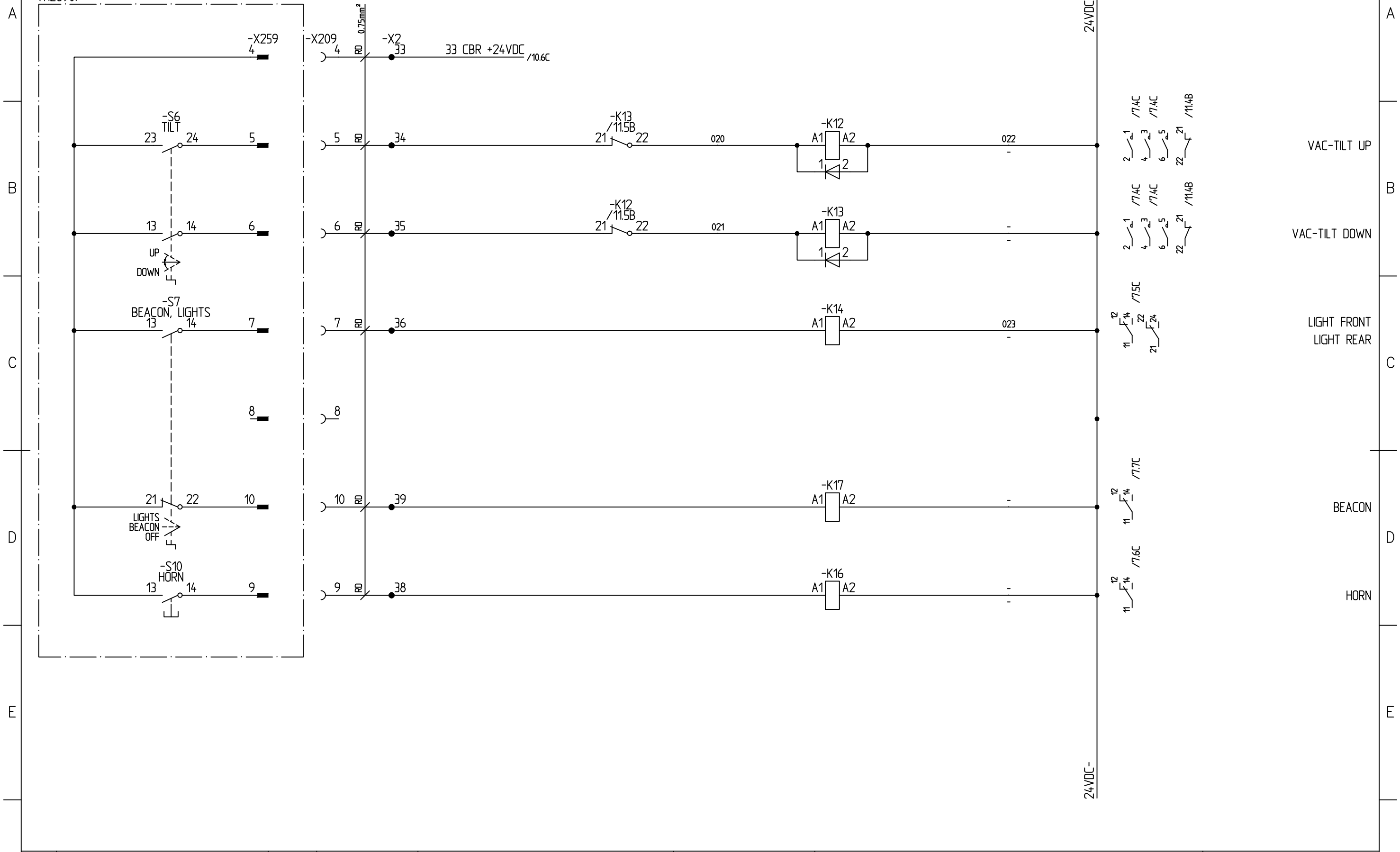
ENGINEER	DJ
DRAWN BY	DJ
CHKD BY	
DATE	091016

HTC SWEDEN AB
 HTC 1500iXT
 PU2
 CIRCUIT DIAGRAM

SHEETS TOTAL	32	SHEET	11
DOC NO	112692	Rev.	E

CONTROL BOX RIGHT
(112690)

HTC 1500iXT from Machine no 44 (150120504)



D	NEW DESIGN	ML	121016
C	CONNECTORS 7D -> 8D	DJ	091019
B	TERMINALS	DJ	091019
E	MCB BOX VALVES	JD	130701
REV.	REV. DESC	SIGN.	DATE

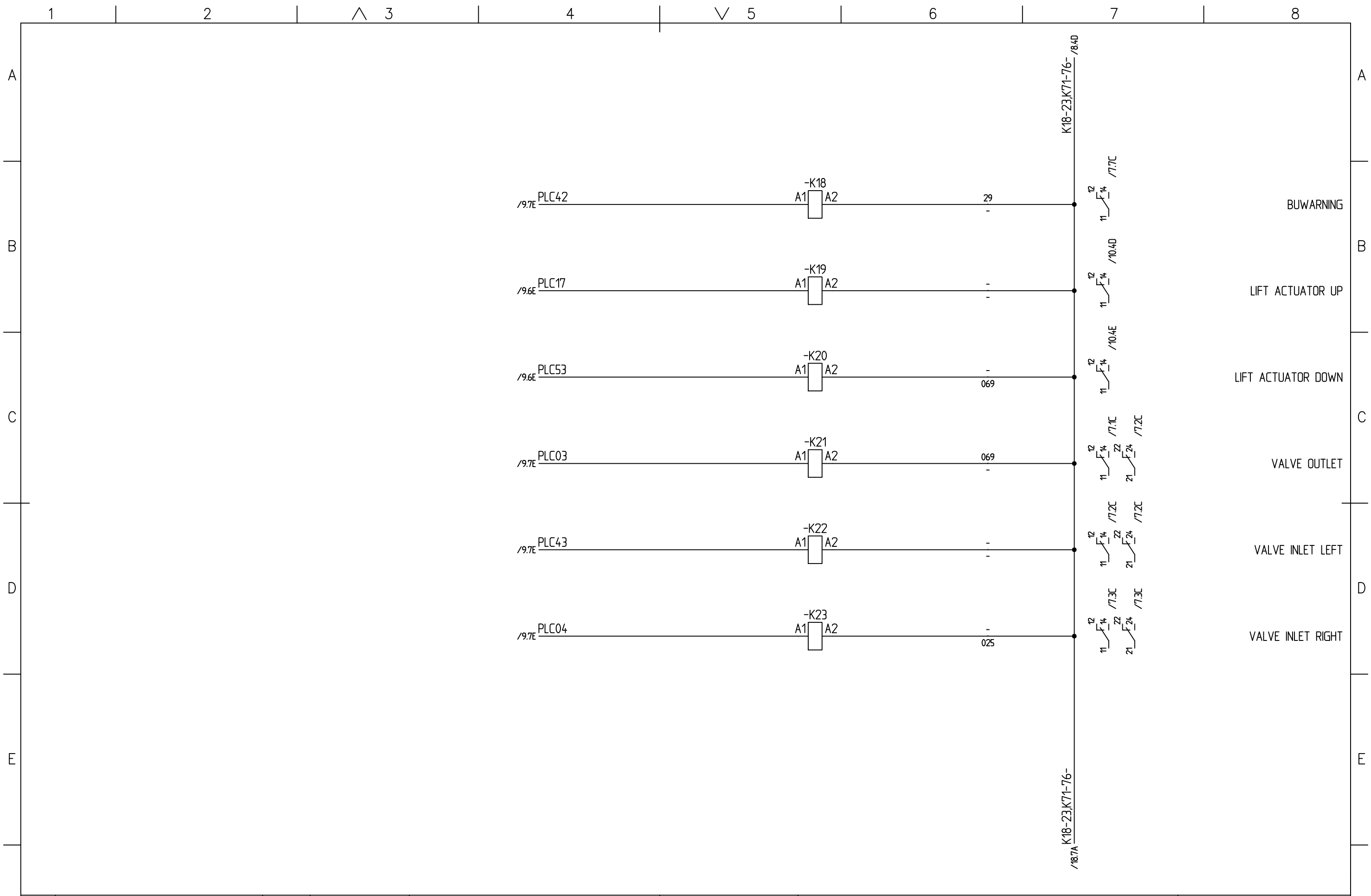


HTC Sweden AB
 Box 69 - 614 22 Söderköping
 T: +46 (0)121-29400
 F: +46 (0)121-15212
 All rights reserved - Copyright

ENGINEER	DJ
DRAWN BY	DJ
CHKD BY	
DATE	091016

HTC SWEDEN AB
 HTC 1500iXT
 PU2
 CIRCUIT DIAGRAM

SHEETS TOTAL	32	SHEET	11
DOC NO	112692	Rev.	E



D	NEW DESIGN	ML	121016
C	CONNECTORS 7D -> 8D	DJ	091019
B	TERMINALS	DJ	091019
E	MCB BOX VALVES	JD	130701
REV.	REV. DESC	SIGN.	DATE

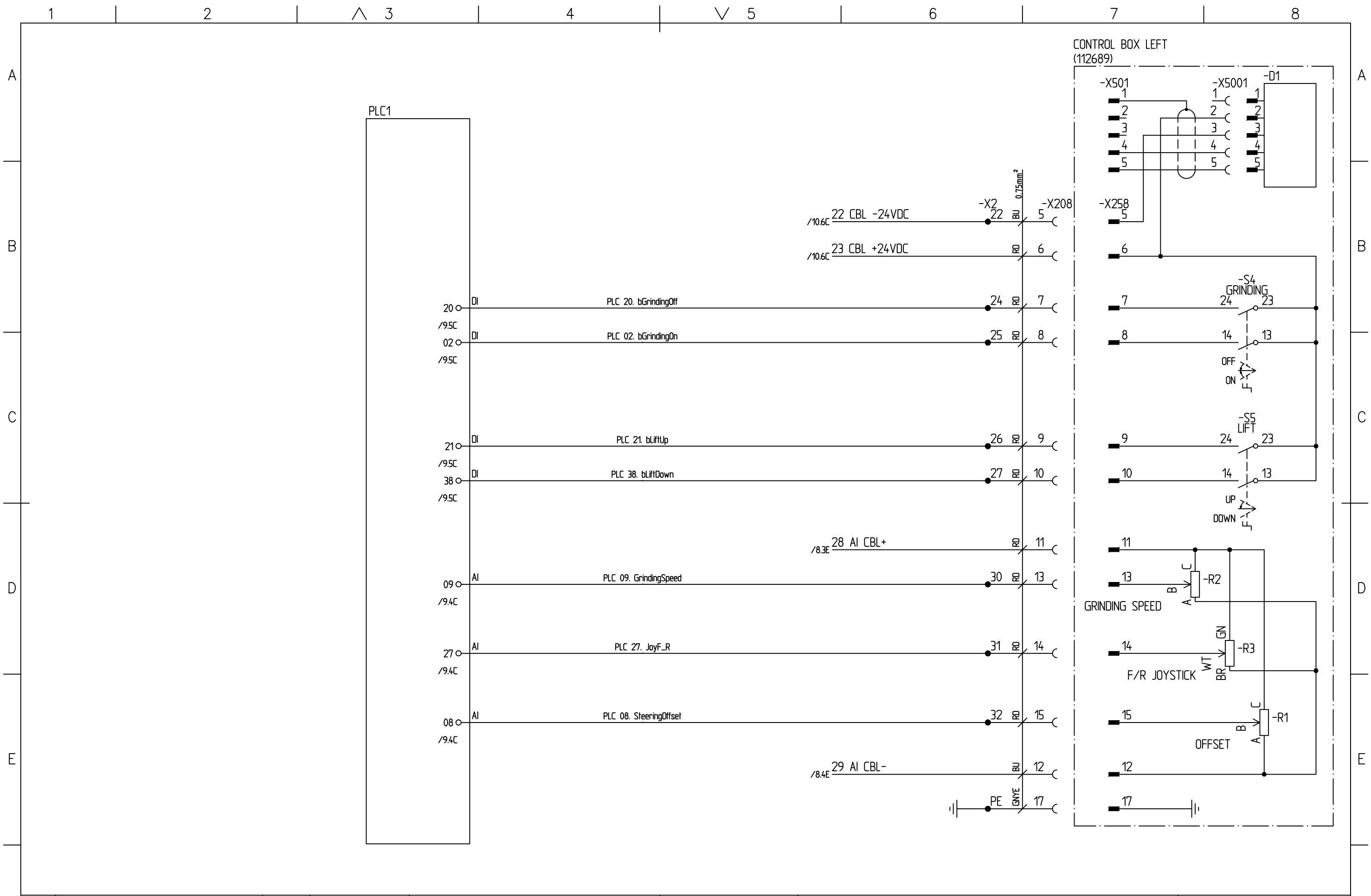


HTC Sweden AB
 Box 69 - 614 22 Söderköping
 T: +46 (0)121-29400
 F: +46 (0)121-15212
 All rights reserved - Copyright

ENGINEER	DJ
DRAWN BY	DJ
CHKD BY	
DATE	091016

HTC SWEDEN AB
 HTC 1500iXT
 PU2
 CIRCUIT DIAGRAM

SHEETS TOTAL	32	SHEET	12
DOC NO	112692	Rev.	E



D	NEW DESIGN	ML	121016
C	CONNECTORS 7D -> 8D	DJ	091019
B	TERMINALS	DJ	091019
E	MCB BOX VALVES	JD	130701
REV.	REV. DESC	SIGN.	DATE

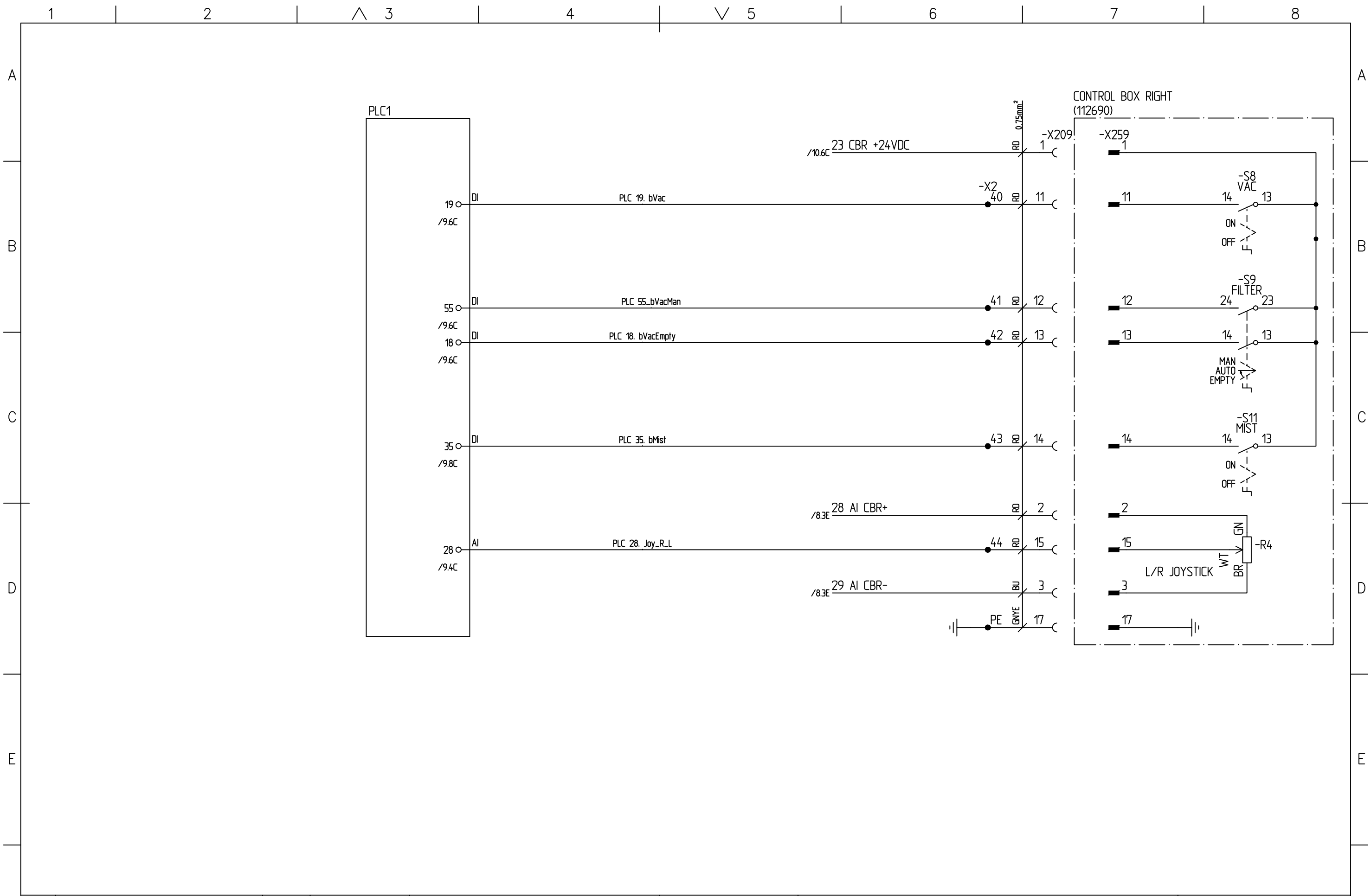


HTC Sweden AB
 Box 69 - 614 22 Söderköping
 T: +46 (0)121-29400
 F: +46 (0)121-15212
 All rights reserved - Copyright

ENGINEER	DJ
DRAWN BY	DJ
CHKD BY	
DATE	091016

HTC SWEDEN AB
 HTC 1500iXT
 PU2
 CIRCUIT DIAGRAM

SHEETS TOTAL	32	SHEET	13
DOC NO	112692	Rev.	E



D	NEW DESIGN	ML	121016
C	CONNECTORS 7D -> 8D	DJ	091019
B	TERMINALS	DJ	091019
E	MCB BOX VALVES	JD	130701
REV.	REV. DESC	SIGN.	DATE

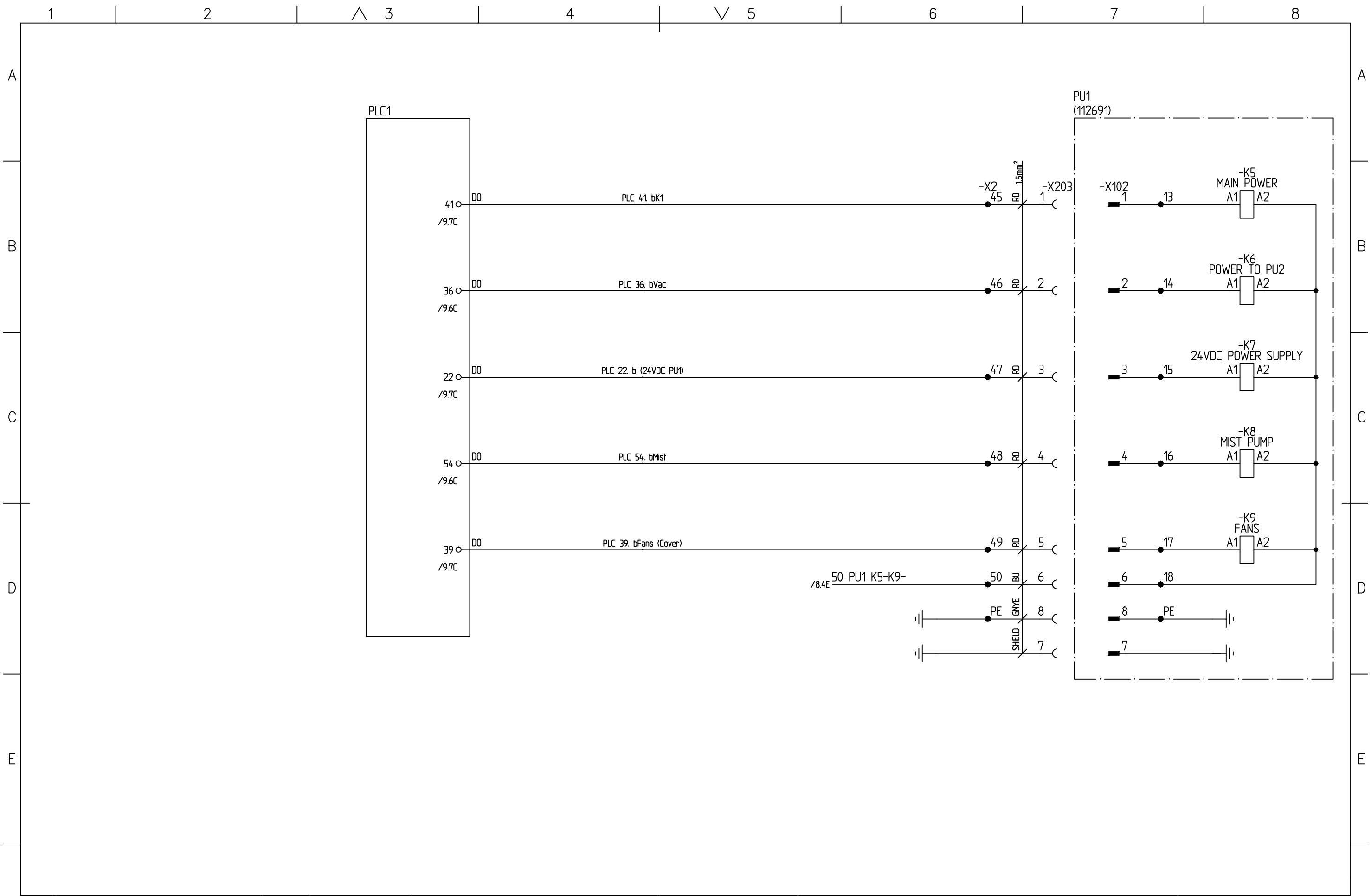


HTC Sweden AB
 Box 69 - 614 22 Söderköping
 T: +46 (0)121-29400
 F: +46 (0)121-15212
 All rights reserved - Copyright

ENGINEER	DJ
DRAWN BY	DJ
CHKD BY	
DATE	091016

HTC SWEDEN AB
 HTC 1500iXT
 PU2
 CIRCUIT DIAGRAM

SHEETS TOTAL	32	SHEET	14
DOC NO	112692	Rev.	E



D	NEW DESIGN	ML	121016
C	CONNECTORS 7D -> 8D	DJ	091019
B	TERMINALS	DJ	091019
E	MCB BOX VALVES	JD	130701
REV.	REV. DESC	SIGN.	DATE

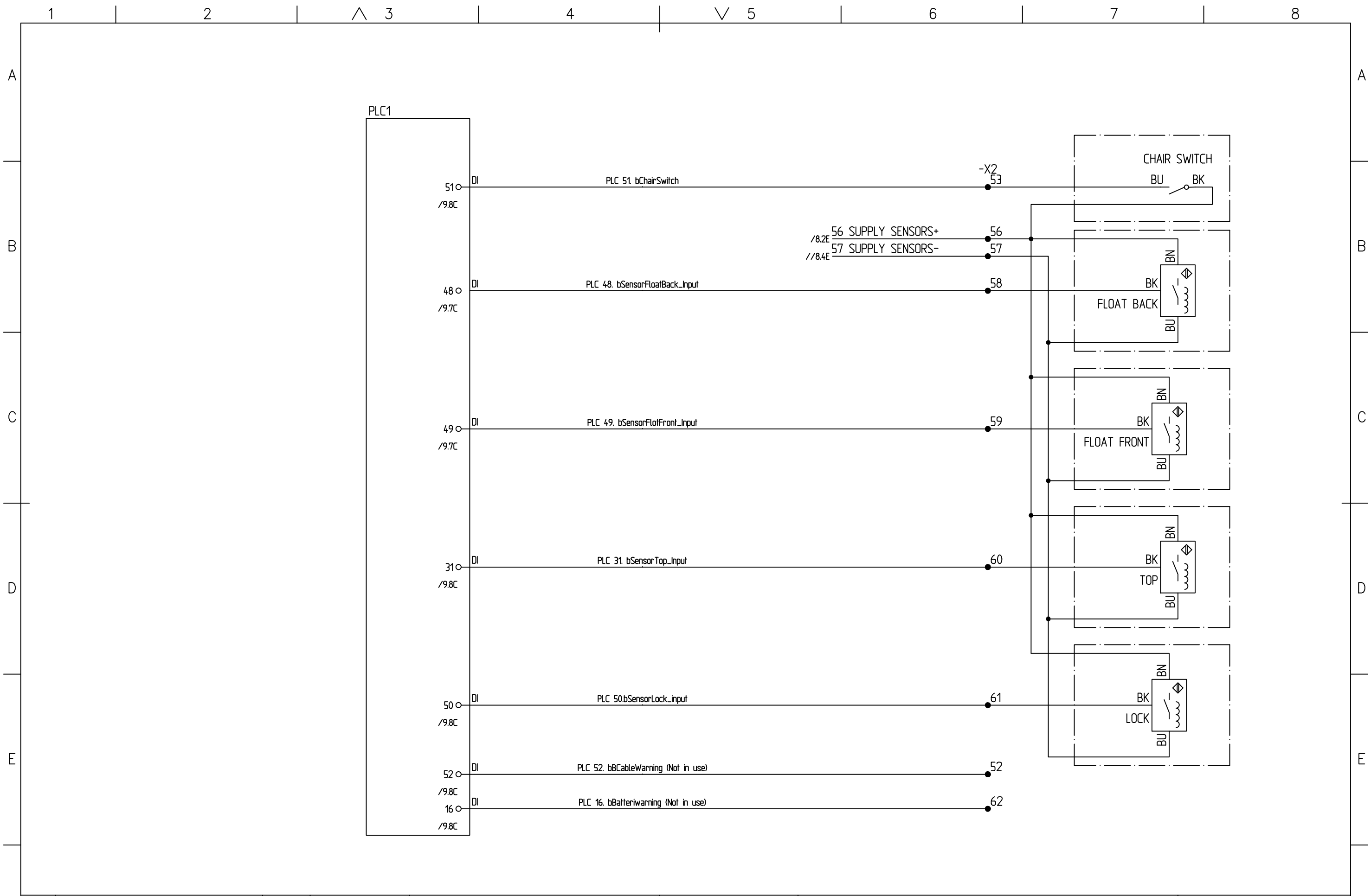


HTC Sweden AB
 Box 69 - 614 22 Söderköping
 T: +46 (0)121-29400
 F: +46 (0)121-15212
 All rights reserved - Copyright

ENGINEER	DJ
DRAWN BY	DJ
CHKD BY	
DATE	091016

HTC SWEDEN AB
 HTC 1500iXT
 PU2
 CIRCUIT DIAGRAM

SHEETS TOTAL	32	SHEET	15
DOC NO	112692	Rev.	E



D	NEW DESIGN	ML	121016
C	CONNECTORS 7D -> 8D	DJ	091019
B	TERMINALS	DJ	091019
E	MCB BOX VALVES	JD	130701
REV.	REV. DESC	SIGN.	DATE

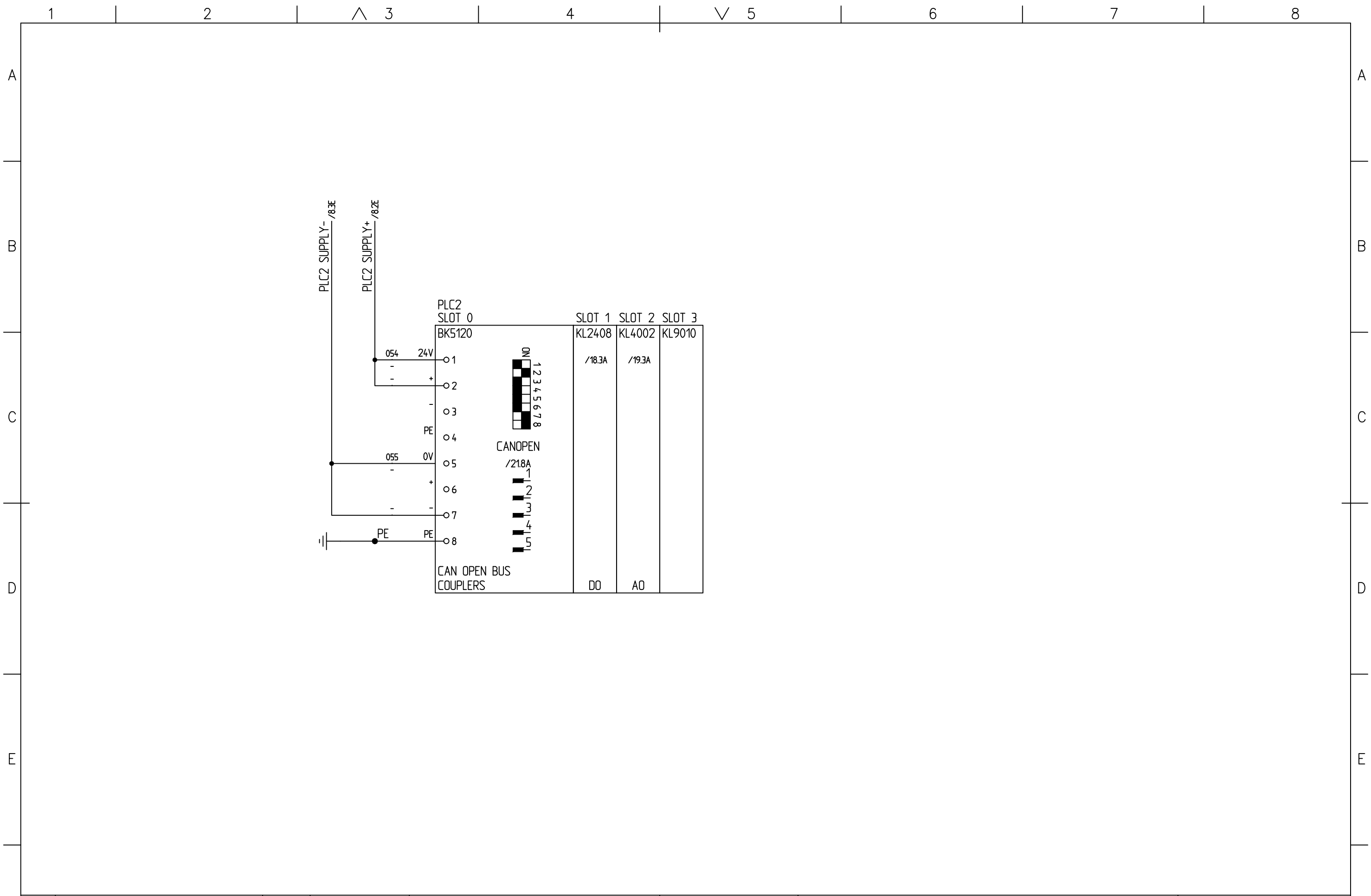


HTC Sweden AB
 Box 69 - 614 22 Söderköping
 T: +46 (0)121-29400
 F: +46 (0)121-15212
 All rights reserved - Copyright

ENGINEER	DJ
DRAWN BY	DJ
CHKD BY	
DATE	091016

HTC SWEDEN AB
 HTC 1500iXT
 PU2
 CIRCUIT DIAGRAM

SHEETS TOTAL	32	SHEET	16
DOC NO	112692	Rev.	E



D	NEW DESIGN	ML	121016
C	CONNECTORS 7D -> 8D	DJ	091019
B	TERMINALS	DJ	091019
E	MCB BOX VALVES	JD	130701
REV.	REV. DESC	SIGN.	DATE

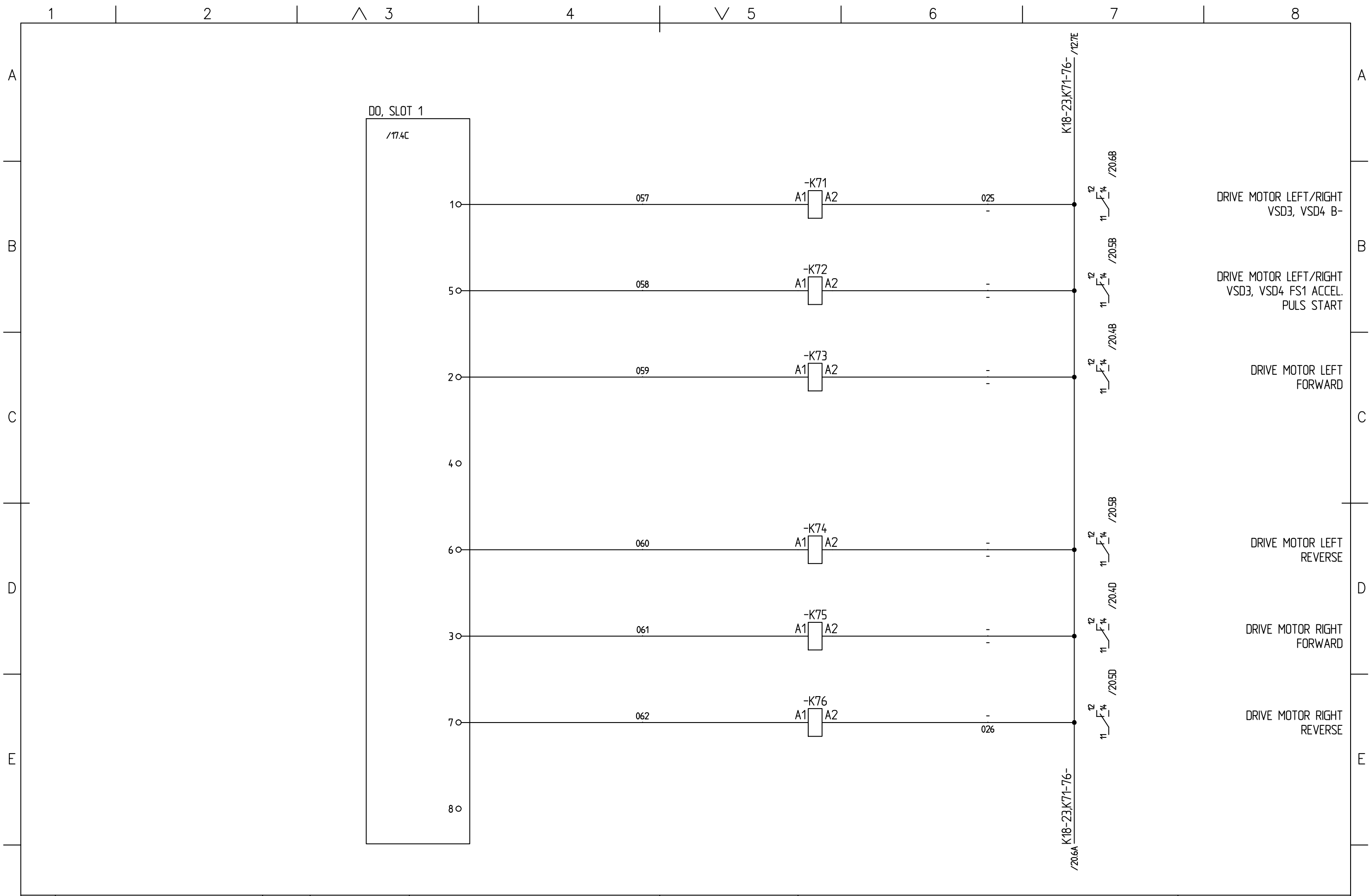


HTC Sweden AB
 Box 69 - 614 22 Söderköping
 T: +46 (0)121-29400
 F: +46 (0)121-15212
 All rights reserved - Copyright

ENGINEER	DJ
DRAWN BY	DJ
CHKD BY	
DATE	091016

HTC SWEDEN AB
 HTC 1500iXT
 PU2
 CIRCUIT DIAGRAM

SHEETS TOTAL	32	SHEET	17
DOC NO	112692	Rev.	E



D	NEW DESIGN	ML	121016
C	CONNECTORS 7D -> 8D	DJ	091019
B	TERMINALS	DJ	091019
E	MCB BOX VALVES	JD	130701
REV.	REV. DESC	SIGN.	DATE

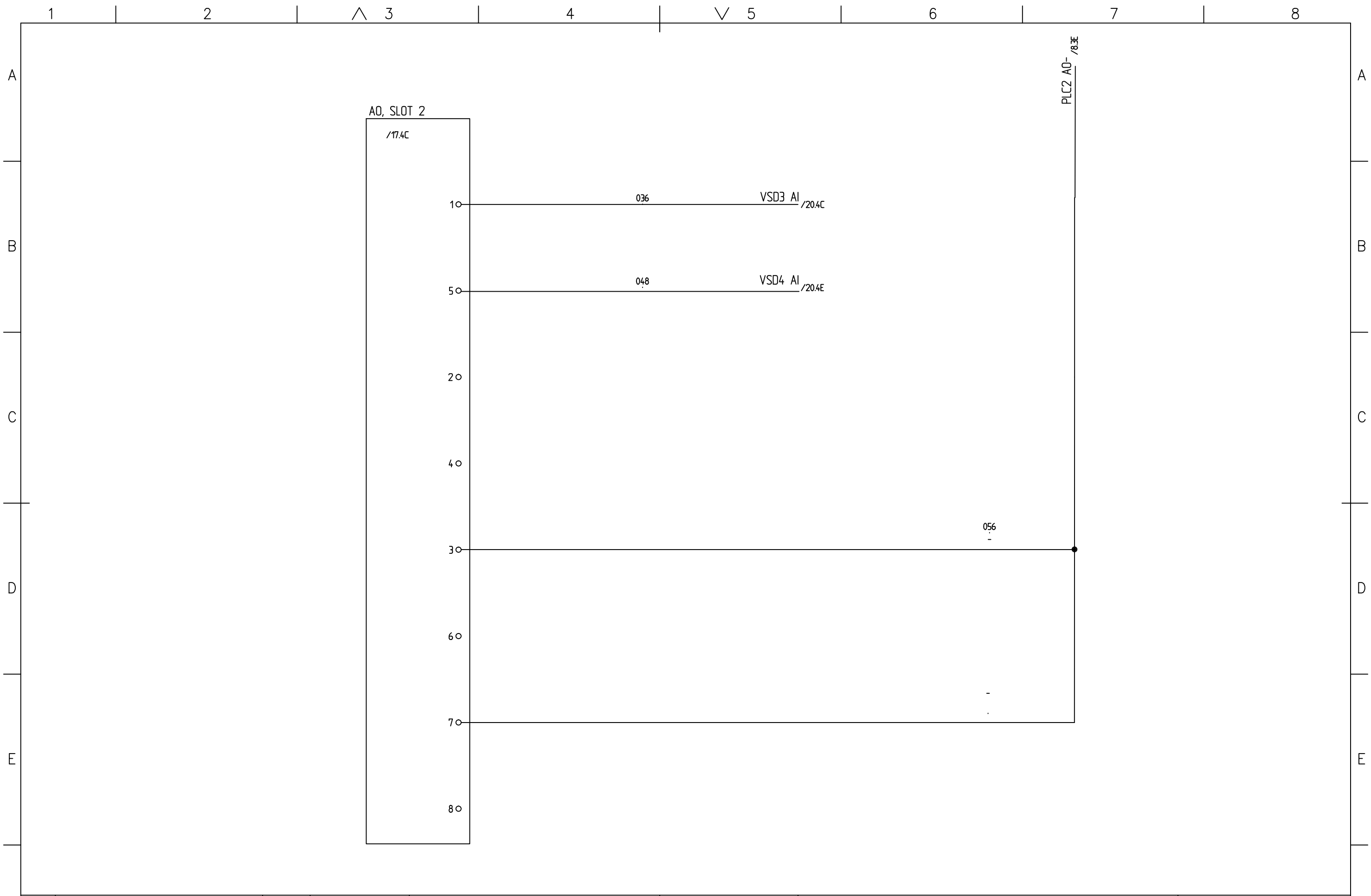


HTC Sweden AB
 Box 69 - 614 22 Söderköping
 T: +46 (0)121-29400
 F: +46 (0)121-15212
 All rights reserved - Copyright

ENGINEER	DJ
DRAWN BY	DJ
CHKD BY	
DATE	130701

HTC SWEDEN AB
 HTC 1500iXT
 PU2
 CIRCUIT DIAGRAM

SHEETS TOTAL	32	SHEET	18
DOC NO	112692	Rev.	E



D	NEW DESIGN	ML	121016
C	CONNECTORS 7D -> 8D	DJ	091019
B	TERMINALS	DJ	091019
E	MCB BOX VALVES	JD	130701
REV.	REV. DESC	SIGN.	DATE

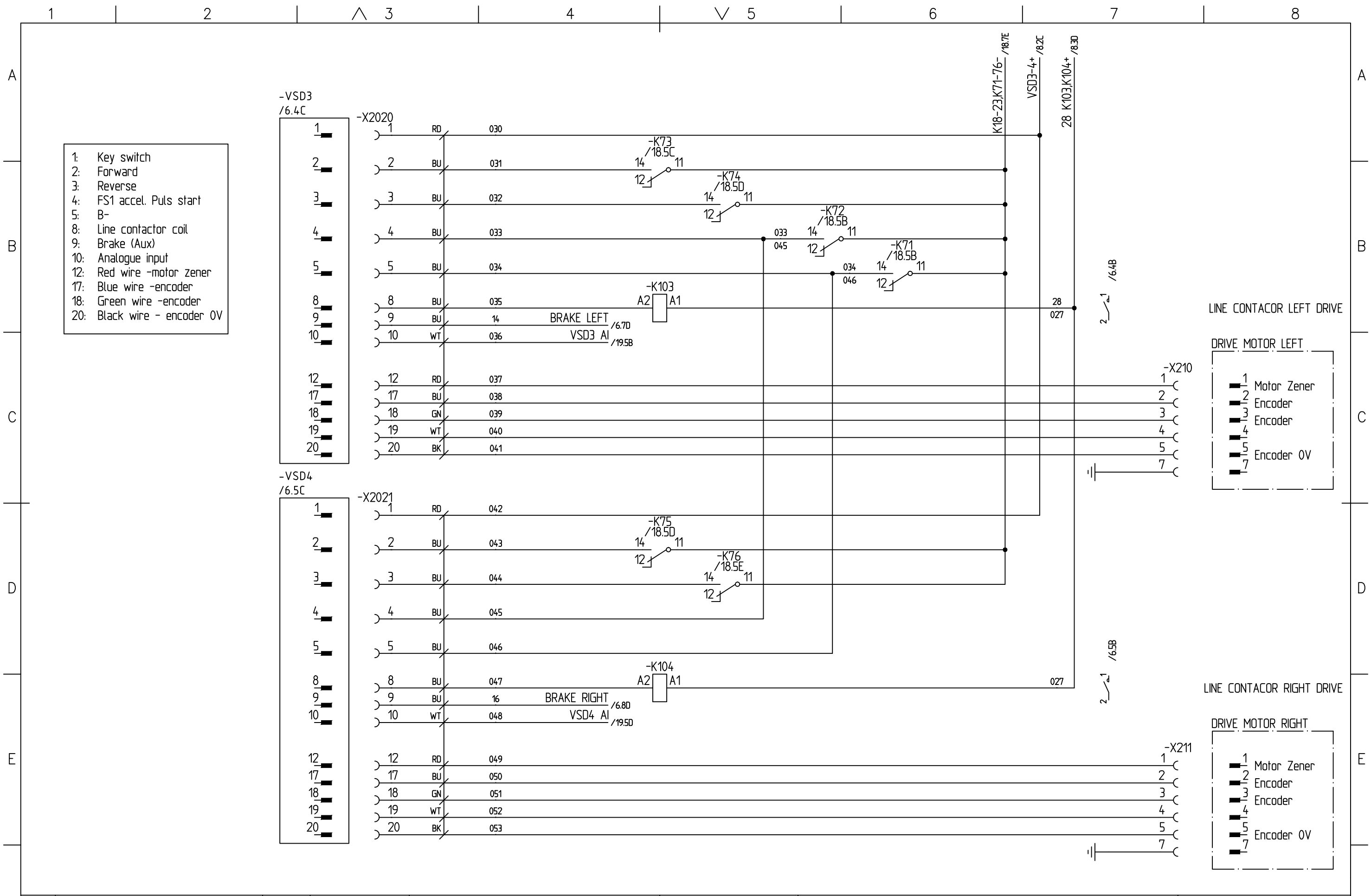


HTC Sweden AB
 Box 69 - 614 22 Söderköping
 T: +46 (0)121-29400
 F: +46 (0)121-15212
 All rights reserved - Copyright

ENGINEER	DJ
DRAWN BY	DJ
CHKD BY	
DATE	091016

HTC SWEDEN AB
 HTC 1500iXT
 PU2
 CIRCUIT DIAGRAM

SHEETS TOTAL	32	SHEET	19
DOC NO	112692	Rev.	E



- 1: Key switch
- 2: Forward
- 3: Reverse
- 4: FS1 accel. Puls start
- 5: B-
- 8: Line contactor coil
- 9: Brake (Aux)
- 10: Analogue input
- 12: Red wire -motor zener
- 17: Blue wire -encoder
- 18: Green wire -encoder
- 20: Black wire - encoder 0V

- VSD3 /6.4C
- 1
 - 2
 - 3
 - 4
 - 5
 - 8
 - 9
 - 10
 - 12
 - 17
 - 18
 - 19
 - 20

- VSD4 /6.5C
- 1
 - 2
 - 3
 - 4
 - 5
 - 8
 - 9
 - 10
 - 12
 - 17
 - 18
 - 19
 - 20

- LINE CONTACTOR LEFT DRIVE
- DRIVE MOTOR LEFT
- 1 Motor Zener
 - 2 Encoder
 - 3 Encoder
 - 4
 - 5 Encoder 0V
 - 7

- LINE CONTACTOR RIGHT DRIVE
- DRIVE MOTOR RIGHT
- 1 Motor Zener
 - 2 Encoder
 - 3 Encoder
 - 4
 - 5 Encoder 0V
 - 7

D	NEW DESIGN	ML	121016
C	CONNECTORS 7D -> 8D	DJ	091019
B	TERMINALS	DJ	091019
E	MCB BOX VALVES	JD	130701
REV.	REV. DESC	SIGN.	DATE

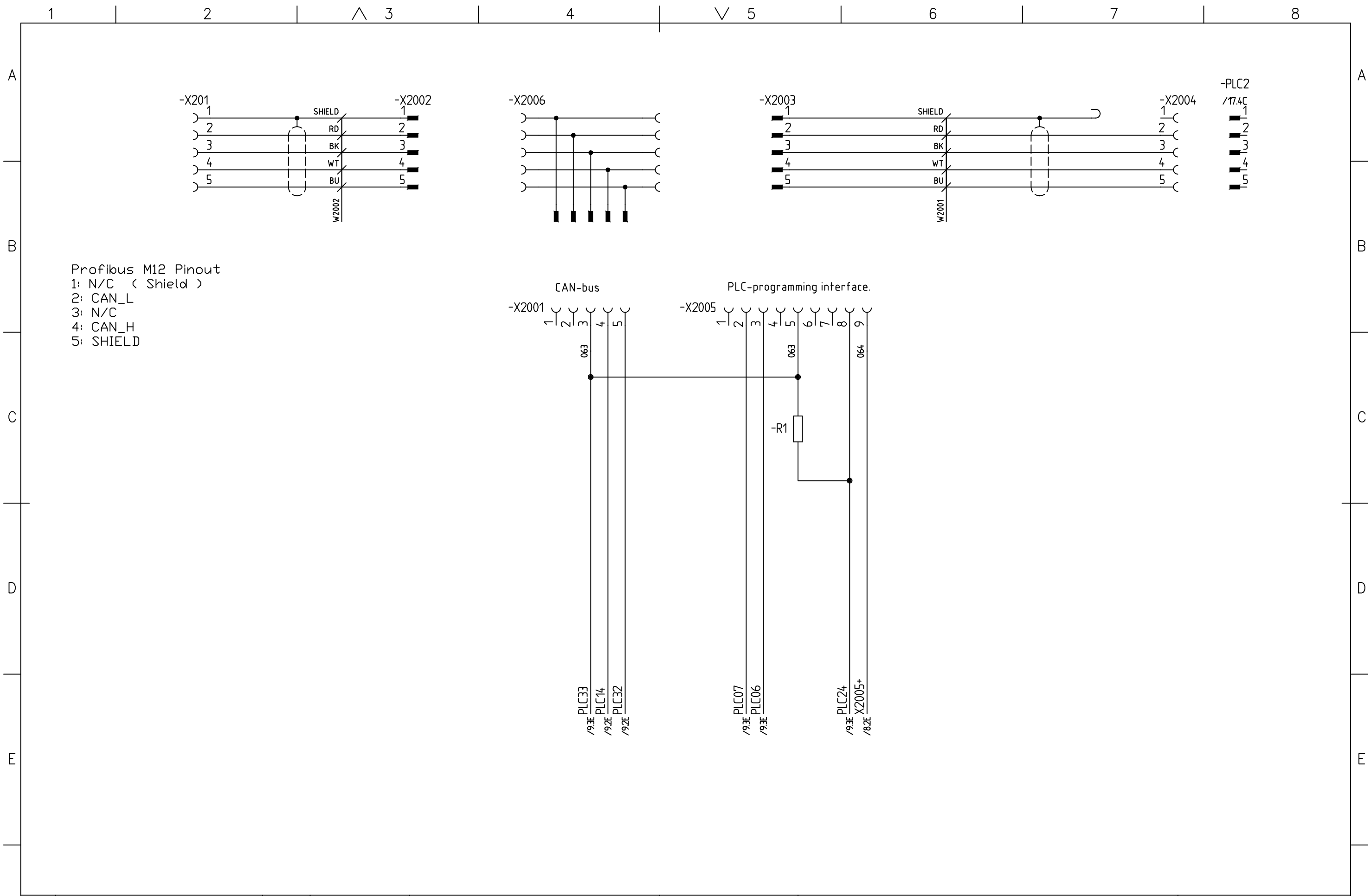


HTC Sweden AB
 Box 69 - 614 22 Söderköping
 T: +46 (0)121-29400
 F: +46 (0)121-15212
 All rights reserved - Copyright

ENGINEER	DJ
DRAWN BY	DJ
CHKD BY	
DATE	091016

HTC SWEDEN AB
 HTC 1500iXT
 PU2
 CIRCUIT DIAGRAM

SHEETS TOTAL	32	SHEET	20
DOC NO	112692	Rev.	E



Profibus M12 Pinout
 1: N/C (Shield)
 2: CAN_L
 3: N/C
 4: CAN_H
 5: SHIELD

D	NEW DESIGN	ML	121016
C	CONNECTORS 7D -> 8D	DJ	091019
B	TERMINALS	DJ	091019
E	MCB BOX VALVES	JD	130701
REV.	REV. DESC	SIGN.	DATE

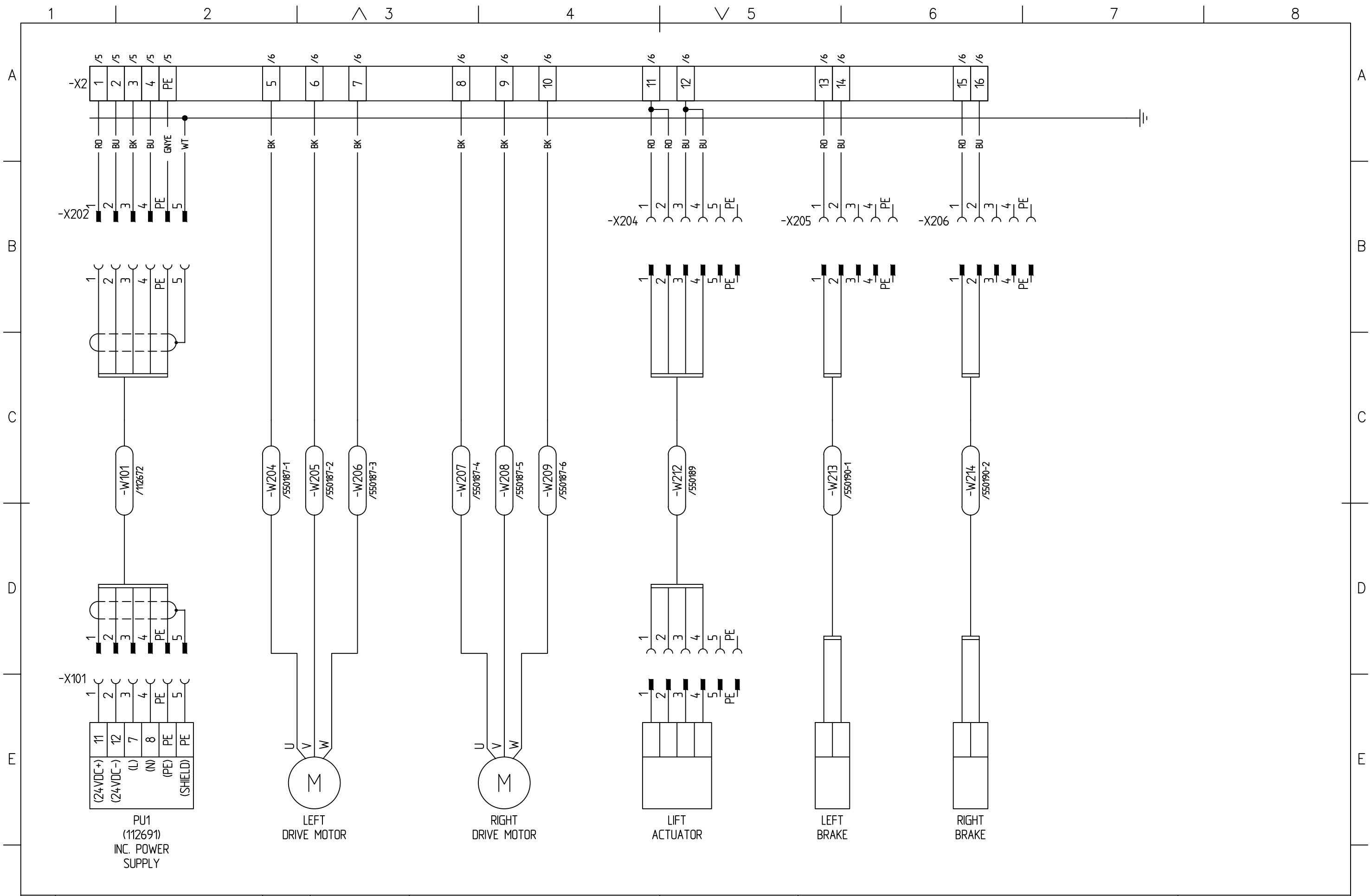


HTC Sweden AB
 Box 69 - 614 22 Söderköping
 T: +46 (0)121-29400
 F: +46 (0)121-15212
 All rights reserved - Copyright

ENGINEER	DJ
DRAWN BY	DJ
CHKD BY	
DATE	091016

HTC SWEDEN AB
 HTC 1500iXT
 PU2
 CIRCUIT DIAGRAM

SHEETS TOTAL	32	SHEET	21
DOC NO	112692	Rev.	E



D	NEW DESIGN	ML	121016
C	CONNECTORS 7D -> 8D	DJ	091019
B	TERMINALS	DJ	091019
E	MCB BOX VALVES	JD	130701
REV.	REV. DESC	SIGN.	DATE

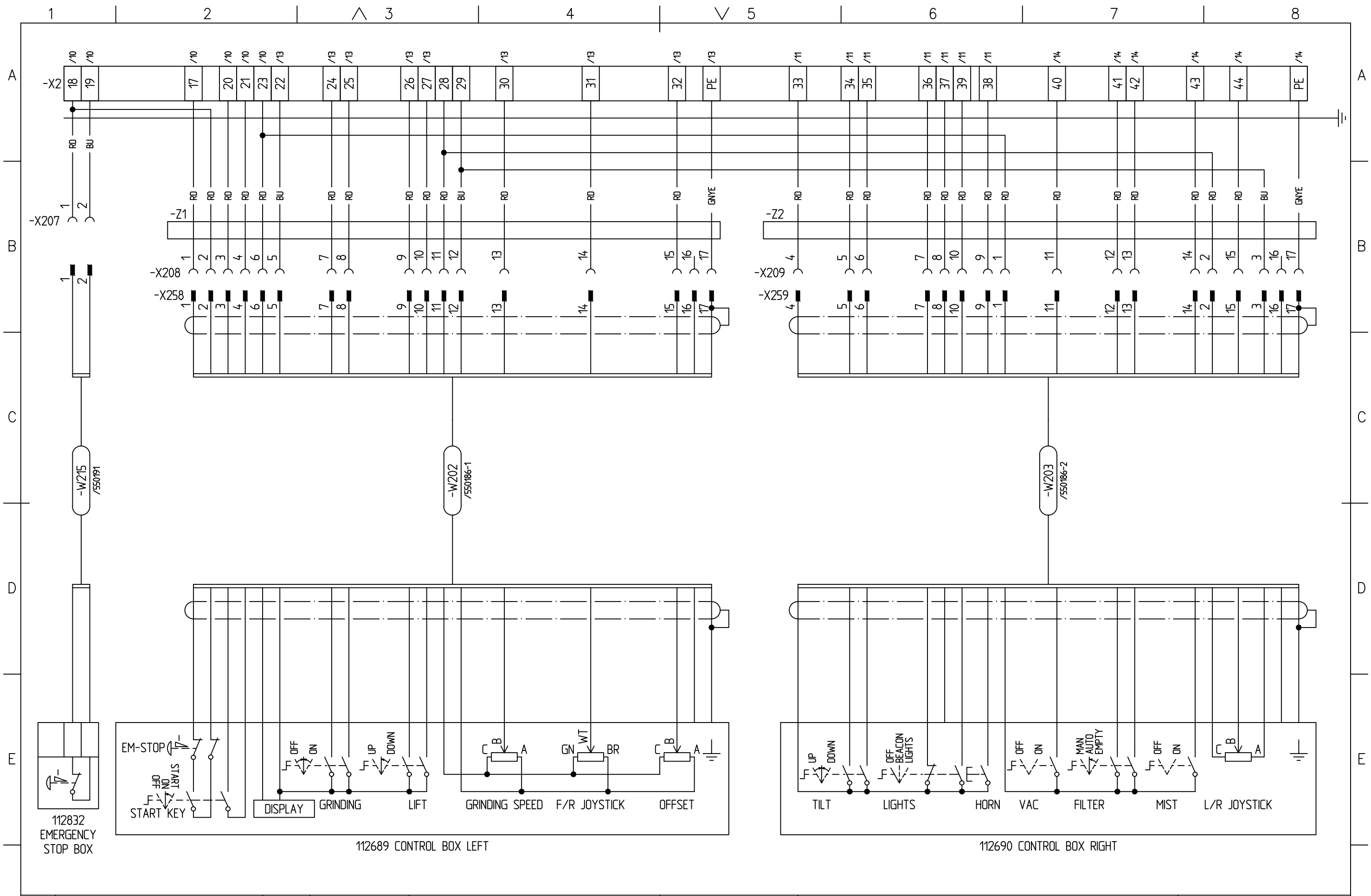


HTC Sweden AB
 Box 69 - 614 22 Söderköping
 T: +46 (0)121-29400
 F: +46 (0)121-15212
 All rights reserved - Copyright

ENGINEER	DJ
DRAWN BY	DJ
CHKD BY	
DATE	091016

HTC SWEDEN AB
 HTC 1500iXT
 PU2
 EXT. CONNECTION DIAGRAM

SHEETS TOTAL	32	SHEET	22
DOC NO	112692	Rev.	E



D	NEW DESIGN	ML	121016
C	CONNECTORS 7D -> 8D	DJ	091019
B	TERMINALS	DJ	091019
E	MCB BOX VALVES	JD	130701
REV.	REV. DESC	SIGN.	DATE

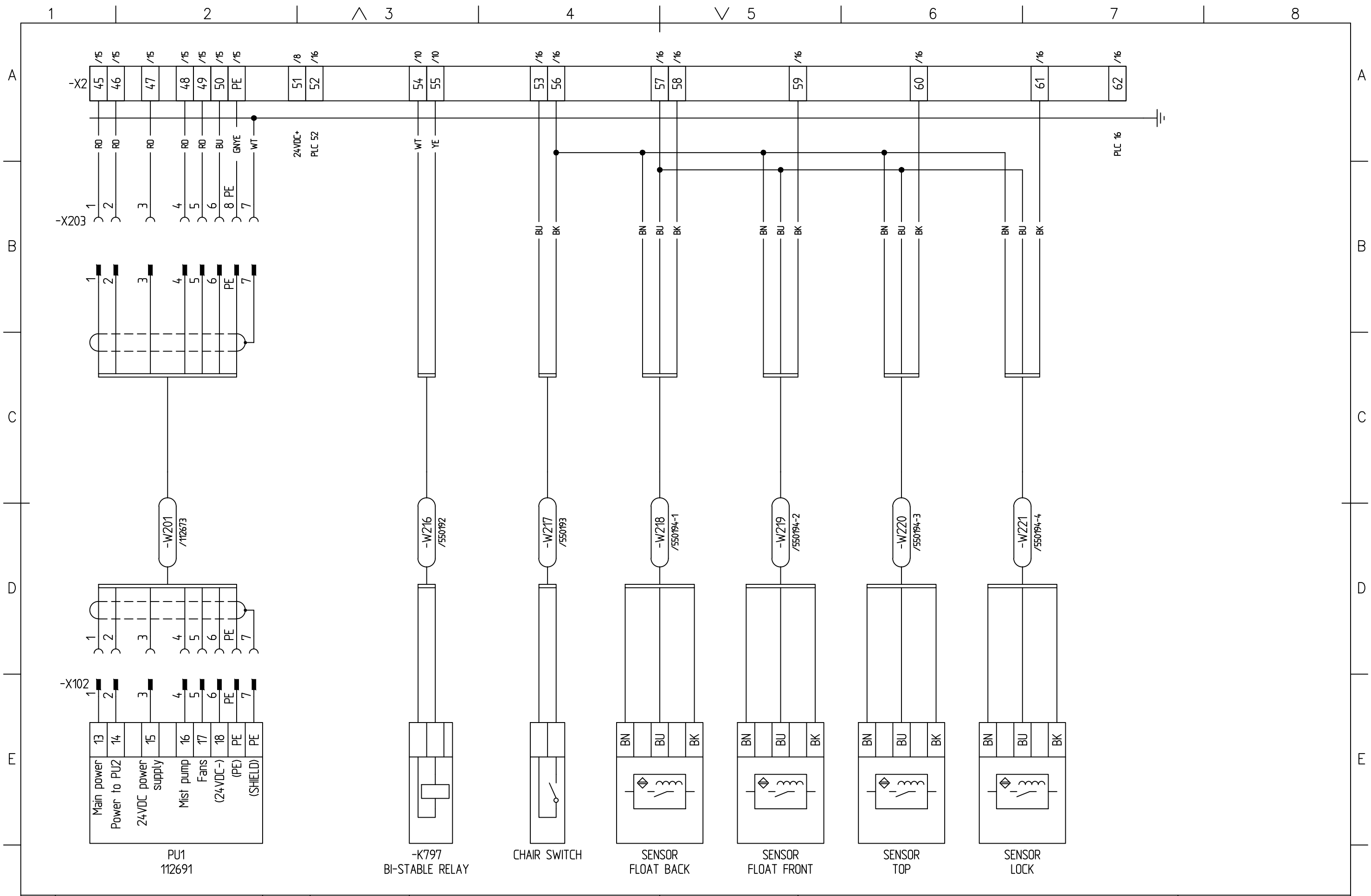


HTC Sweden AB
 Box 69 - 614 22 Söderköping
 T: +46 (0)121-29400
 F: +46 (0)121-15212
 All rights reserved - Copyright

ENGINEER	DJ
DRAWN BY	DJ
CHKD BY	
DATE	091016

HTC SWEDEN AB
 HTC 1500iXT
 PU2
 EXT. CONNECTION DIAGRAM

SHEETS TOTAL	32	SHEET	23
DOC NO	112692	Rev.	E



D	NEW DESIGN	ML	121016
C	CONNECTORS 7D -> 8D	DJ	091019
B	TERMINALS	DJ	091019
E	MCB BOX VALVES	JD	130701
REV.	REV. DESC	SIGN.	DATE

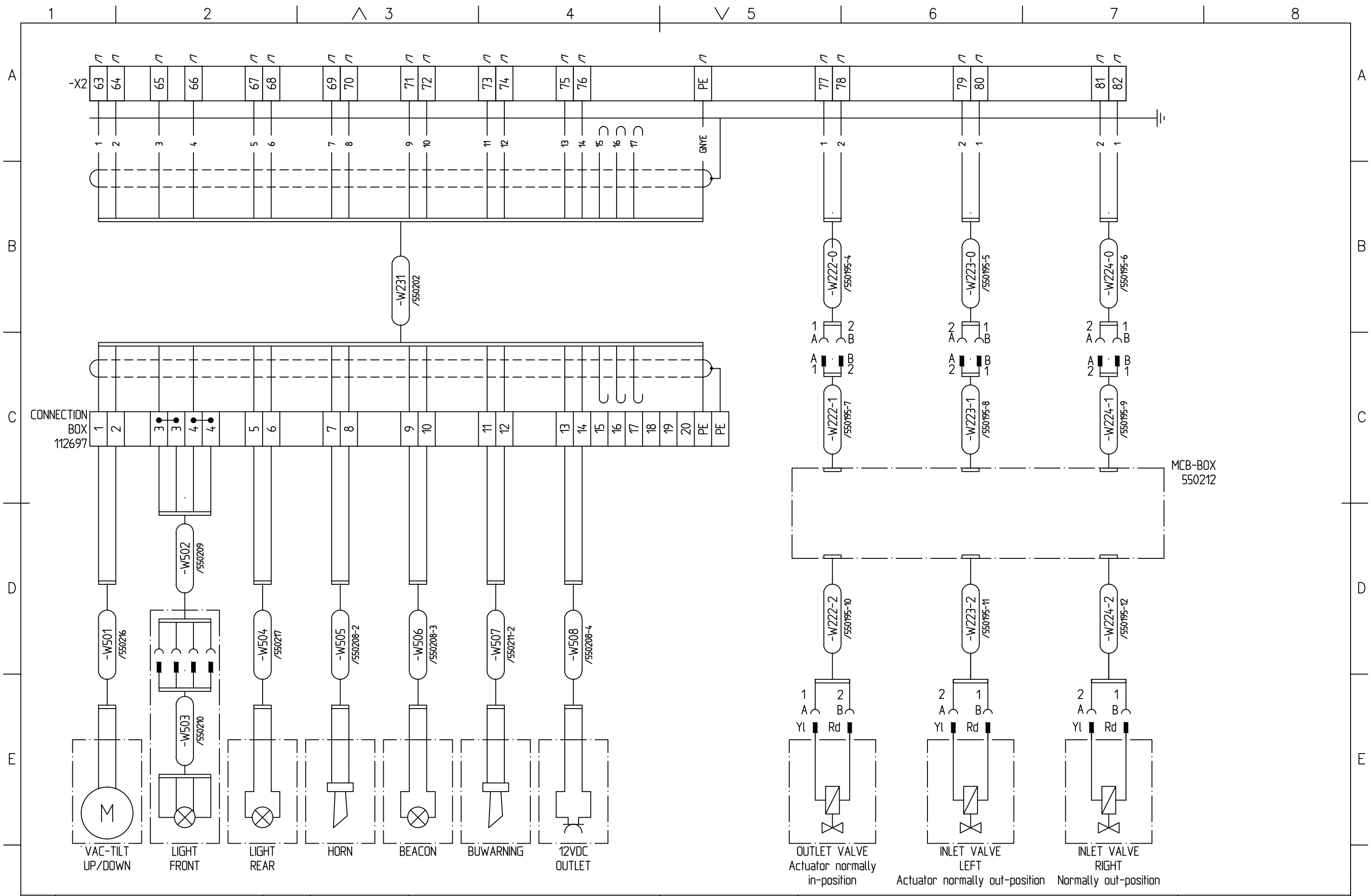


HTC Sweden AB
 Box 69 - 614 22 Söderköping
 T: +46 (0)121-29400
 F: +46 (0)121-15212
 All rights reserved - Copyright

ENGINEER	DJ
DRAWN BY	DJ
CHKD BY	
DATE	091016

HTC SWEDEN AB
 HTC 1500iXT
 PU2
 EXT. CONNECTION DIAGRAM

SHEETS TOTAL	32	SHEET	24
DOC NO	112692	Rev.	E



D	NEW DESIGN	ML	121016
C	CONNECTORS 7D -> 8D	DJ	091019
B	TERMINALS	DJ	091019
E	MCB BOX VALVES	JD	130701
REV.	REV. DESC	SIGN.	DATE



HTC Sweden AB
 Box 69 - 614 22 Söderköping
 T: +46 (0)121-29400
 F: +46 (0)121-15212
 All rights reserved - Copyright

ENGINEER	DJ
DRAWN BY	DJ
CHKD BY	
DATE	091016

HTC SWEDEN AB
 HTC 1500iXT
 PU2
 EXT. CONNECTION DIAGRAM

SHEETS TOTAL	32	SHEET	25
DOC NO	112692	Rev.	E

1	2	3	4	5	6	7	8	
ITEM	TAG	QTY	DESIGNATION	HTC NO.	CATALOGUE NO.	MANUFACTURER	DATA	REMARK
	-K15	0						See K14 (Double function)
A	-K16	1	Interface relay		8533640000	Weidmuller	24VDC, 1CO, 6A	
	-K17	1	Interface relay		8533640000	Weidmuller	24VDC, 1CO, 6A	
	-K18	1	Interface relay		8533640000	Weidmuller	24VDC, 1CO, 6A	
	-K19	1	Interface relay		8533640000	Weidmuller	24VDC, 1CO, 6A	
	-K20	1	Interface relay		8533640000	Weidmuller	24VDC, 1CO, 6A	
B	-K21	1	Interface relay		C7-A2024D	Releco	24VDC, 2CO, 10A	
		1	Socket		S7-C	Releco		
	-K22	1	Interface relay		C7-A2024D	Releco	24VDC, 2CO, 10A	
		1	Socket		S7-C	Releco		
	-K23	1	Interface relay		C7-A2024D	Releco	24VDC, 2CO, 10A	
		1	Socket		S7-C	Releco		
	-K24	1	Interface relay		C10-A10B230A	Releco	230VAC, 1CO, 10A	
		1	Socket		S10	Releco		
C	-K71	1	Interface relay		8533640000	Weidmuller	24VDC, 1CO, 6A	
	-K72	1	Interface relay		8533640000	Weidmuller	24VDC, 1CO, 6A	
	-K73	1	Interface relay		8533640000	Weidmuller	24VDC, 1CO, 6A	
	-K74	1	Interface relay		8533640000	Weidmuller	24VDC, 1CO, 6A	
	-K75	1	Interface relay		8533640000	Weidmuller	24VDC, 1CO, 6A	
	-K76	1	Interface relay		8533640000	Weidmuller	24VDC, 1CO, 6A	
D	-K103	1	Contactora		SW80-24	Allbright	24VDC, 1NO, 100A	
	-K104	1	Contactora		SW80-24	Allbright	24VDC, 1NO, 100A	
	-K797	1	BI-stable relay		202310	Soderrep ecans	24VDC, 1 pole	
	-K897	1	Key switch		MW290025	Merit		
	-K898	1	Safety relay		XPSAC5121P	Schneider electric	24VAC/DC 3NO+1NO transistor	
E	-M01	1	Fan		AA-150-24-44-00-XX	Supercool	24VDC, 150W	
	-PLC1	1	Mobile controller		CR0020	IFM Electronic	40 I/O, Canopen, RS232	
		1	Connector		EC2086	IFM Electronic	55-pole connector	
	-PLC2	1	Can open bus coupler		BK5120	Beckhoff		
		1	Digital output		KL2408	Beckhoff	8-channel DO	
		1	Analog output		KL4002	Beckhoff	2-channel AO	
		1	End terminal		KL9010	Beckhoff		

D	NEW DESIGN	ML	121016
C	CONNECTORS 7D -> 8D	DJ	091019
B	TERMINALS	DJ	091019
E	MCB BOX VALVES	JD	130701
REV.	REV. DESC	SIGN.	DATE



HTC Sweden AB
 Box 69 - 614 22 Söderköping
 T: +46 (0)121-29400
 F: +46 (0)121-15212
 All rights reserved - Copyright

ENGINEER	DJ
DRAWN BY	DJ
CHKD BY	
DATE	091016

HTC SWEDEN AB
 HTC 1500iXT
 PU2
 BOM

SHEETS TOTAL	32	SHEET	28
DOC NO	112692	Rev.	E

1	2	3	4	5	6	7	8	
ITEM	TAG	QTY	DESIGNATION	HTC NO.	CATALOGUE NO.	MANUFACTURER	DATA	REMARK
	-R1	1	Resistor			Standard	4,7 kohm	
A	-T3	1	HF charger		0036050	Leab	90-260VAC/24VDC, 50A	A
	-T5	1	DC/DC converter		8006-DC24	Waeco	24VDC/13.8VDC, 6A	
	-VSD3	1	Millipak AC motor controller		633T23605	Sevcon	4kW, 250A	
	-VSD4	1	Millipak AC motor controller		633T23605	Sevcon	4kW, 250A	
	-W101	1	Cable				See drawing:112672	
B	-W110	1	Cable				See drawing:550185	B
	-W201	1	Cable				See drawing:112673	
	-W202	1	Cable				See drawing:550186-1	
	-W203	1	Cable				See drawing:550186-2	
	-W204	1	Cable				See drawing:550187-1	
	-W205	1	Cable				See drawing:550187-2	
C	-W206	1	Cable				See drawing:550187-3	C
	-W207	1	Cable				See drawing:550187-4	
	-W208	1	Cable				See drawing:550187-5	
	-W209	1	Cable				See drawing:550187-6	
	-W210	1	Cable				See drawing:550188-1	
	-W211	1	Cable				See drawing:550188-2	
D	-W212	1	Cable				See drawing:550189	D
	-W213	1	Cable				See drawing:550190-1	
	-W214	1	Cable				See drawing:550190-2	
	-W215	1	Cable				See drawing:550191	
	-W216	1	Cable				See drawing:550192	
E	-W217	1	Cable				See drawing:550193	E
	-W218	1	Cable				See drawing:550194-1	
	-W219	1	Cable				See drawing:550194-2	
	-W220	1	Cable				See drawing:550194-3	
	-W221	1	Cable				See drawing:550194-4	

D	NEW DESIGN	ML	121016
C	CONNECTORS 7D -> 8D	DJ	091019
B	TERMINALS	DJ	091019
E	MCB BOX VALVES	JD	1300701
REV.	REV. DESC	SIGN.	DATE



HTC Sweden AB
 Box 69 - 614 22 Söderköping
 T: +46 (0)121-29400
 F: +46 (0)121-15212
 All rights reserved - Copyright

ENGINEER	DJ
DRAWN BY	DJ
CHKD BY	
DATE	091016

HTC SWEDEN AB
 HTC 1500iXT
 PU2
 BOM

SHEETS TOTAL	32	SHEET	29
DOC NO	112692	Rev.	E

1	2	3	4	5	6	7	8	
ITEM	TAG	QTY	DESIGNATION	HTC NO.	CATALOGUE NO.	MANUFACTURER	DATA	REMARK
A	-W222-0	1	Cable				See drawing:550195-4	
	-W223-0	1	Cable				See drawing:550195-5	
	-W224-0	1	Cable				See drawing:550195-6	
	-W225	1	Cable				See drawing:550196	
	-W226	1	Cable				See drawing:550197	
	-W227	1	Cable				See drawing:550198	
B	-W228	1	Cable				See drawing:550199	
	-W229	1	Cable				See drawing:550200	
	-W230	1	Cable				See drawing:550201	
	-W231	1	Cable				See drawing:550202	
	-X002	2	End bracket WEW35/2		1061200000	Weidmuller		
		2	Terminal WDU2.5		1020000000	Weidmuller		
C	-X02	2	Terminal WNT10 10X3		1010980000	Weidmuller		
		1	Terminal WNT6 10X3		1010880000	Weidmuller		
		5	Terminal WNT2.5 10X3		1010680000	Weidmuller		
		1	Special connection for busbar		0502680000	Weidmuller		
		1	Busbar 10X3X1000		0348900000	Weidmuller		
		2	Railsupport ZEW35		9540000000	Weidmuller		
	-X2	2	End bracket WEW35/2		1061200000	Weidmuller		
		9	Terminal WDU2.5		1020000000	Weidmuller		
		3	Cross-connection WQV2.5/5		1053960000	Weidmuller		
		7	Terminal WDU2.5BL		1020080000	Weidmuller		
D		6	Earth terminal WPE2.5		1010000000	Weidmuller		
		8	Terminal WDU35/ZA		1028800000	Weidmuller		
		1	Terminal WDU6		1020200000	Weidmuller		
		1	Terminal WDU6BL		1020280000	Weidmuller		
		1	Cross-connection WQV2.5/3		1053760000	Weidmuller		
		32	Terminal WDK2.5		1021500000	Weidmuller		
		1	Terminal WDU35/ZA BL		1028880000	Weidmuller		
		1	Cross-connection WQB-PEN35		1060100000	Weidmuller		
		1	Earth terminal WPE35		1010500000	Weidmuller		
		4	Cross-connection WQV2.5/2		1053660000	Weidmuller		
		1	Earth terminal WPE6		1010200000	Weidmuller		

D	NEW DESIGN	ML	121016
C	CONNECTORS 7D -> 8D	DJ	091019
B	TERMINALS	DJ	091019
E	MCB BOX VALVES	JD	130701
REV.	REV. DESC	SIGN.	DATE



HTC Sweden AB
 Box 69 - 614 22 Söderköping
 T: +46 (0)121-29400
 F: +46 (0)121-15212
 All rights reserved - Copyright

ENGINEER	DJ
DRAWN BY	DJ
CHKD BY	
DATE	091016

HTC SWEDEN AB
 HTC 1500iXT
 PU2
 BOM

SHEETS TOTAL	32	SHEET	30
DOC NO	112692	Rev.	E

1	2	3	4	5	6	7	8	
ITEM	TAG	QTY	DESIGNATION	HTC NO.	CATALOGUE NO.	MANUFACTURER	DATA	REMARK
	-X201	1	Can/devicenet female con.		1525694	Phoenix contact	5 pins	
A	-X202	1	Male insert Han Q5/0		09 12 005 3001	Harting	5 poles+PE	A
		5	Male contact		09 33 000 6102	Harting		
		1	Housing Han 3A		09 20 003 0301	Harting		
	-X203	1	Female insert Han 7D		09 21 007 3131	Harting	7 poles+PE	
		7	Crimp female contact		09 15 000 6201	Harting		
		1	Housing Han 3A		09 20 003 0301	Harting		
	-X204	1	Female insert Q5/0		09 12 005 3101	Harting	5 poles+PE	
		4	Crimp female contact		09 33 000 6202	Harting		
B		1	Housing Han 3A		09 20 003 0301	Harting		B
	-X205	1	Female insert Han 4A		09 20 004 2711	Harting	4 poles+PE	
		1	Housing Han 3A		09 20 003 0301	Harting		
	-X206	1	Female insert Han 4A		09 20 004 2711	Harting	4 poles+PE	
		1	Housing Han 3A		09 20 003 0301	Harting		
	-X207	1	Female insert Han 3A		09 20 003 2711	Harting	3 poles+PE	
		1	Housing Han 3A		09 20 003 0301	Harting		
	-X208	1	Insert Epic circon M23		73008010	Lapp	17-pole	
C		17	Female crimp contact		74200600	Lapp		C
		1	A1 front wall mounting		72004010	Lapp		
	-X209	1	Insert Epic circon M23		73008010	Lapp	17-pole	
		17	Female crimp contact		74200600	Lapp		
		1	A1 front wall mounting		72004010	Lapp		
	-X210	1	Female insert Han 8D		09 36 008 3101	Harting	7 poles+PE	
		7	Crimp female contact		09 15 000 6201	Harting		
		1	Housing Han 3A		09 20 003 0301	Harting		
D	-X211	1	Female insert Han 8D		09 36 008 3101	Harting	7 poles+PE	D
		7	Crimp female contact		09 15 000 6201	Harting		
		1	Housing Han 3A		09 20 003 0301	Harting		
	-X2001	1	Can/devicenet female con.		1508365	Phoenix contact	5 pins	
	-X2002	1	Can/devicenet male con.		1508352	Phoenix contact	5 pins	
	-X2003	1	Can/devicenet male con.		1508352	Phoenix contact	5 pins	
	-X2004	1	Open style connector		BK connector	Beckhoff	5 pins	
E	-X2005	1	D-sub 9 pol female					E
	-X2006	1	T-connector		1507793	Phoenix contact	Can/devicenet	
	-X2020	1	Connector		661/27089	Sevcontrol	20 poles	
	-X2021	1	Connector		661/27089	Sevcontrol	20 poles	

D	NEW DESIGN	ML	121016
C	CONNECTORS 7D -> 8D	DJ	091019
B	TERMINALS	DJ	091019
E	MCB BOX VALVES	DJ	130701
REV.	REV. DESC	SIGN.	DATE



HTC Sweden AB
 Box 69 - 614 22 Söderköping
 T: +46 (0)121-29400
 F: +46 (0)121-15212
 All rights reserved - Copyright

ENGINEER	DJ
DRAWN BY	DJ
CHKD BY	
DATE	091016

HTC SWEDEN AB
 HTC 1500iXT
 PU2
 BOM

SHEETS TOTAL	32	SHEET	31
DOC NO	112692	Rev.	E

1	2	3	4	5	6	7	8	
ITEM	TAG	QTY	DESIGNATION	HTC NO.	CATALOGUE NO.	MANUFACTURER	DATA	REMARK
A	-Z1	1	Ferrite, star-tec		74271222	Würth elektronik		
	-Z2	1	Ferrite, star-tec		74271222	Würth elektronik		
	-B1	1	Starter battery	112649	8142540008882	Optima battery	12VDC, 55AH	Outside enclosure
		1	Main fuse	112842	CF150A		150A	
		1	Isolating nut	112844				
	-B2	1	Starter battery	112649	8142540008882	Optima battery	12VDC, 55AH	Outside enclosure
		1	Main fuse	112842	CF150A		150A	
		1	Isolating nut	112844				

D	NEW DESIGN	ML	121016
C	CONNECTORS 7D -> 8D	DJ	091019
B	TERMINALS	DJ	091019
E	MCB BOX VALVES	JD	130701
REV.	REV. DESC	SIGN.	DATE



HTC Sweden AB
 Box 69 - 614 22 Söderköping
 T: +46 (0)121-29400
 F: +46 (0)121-15212
 All rights reserved - Copyright

ENGINEER	DJ
DRAWN BY	DJ
CHKD BY	
DATE	091016


HTC SWEDEN AB
 HTC 1500iXT
 PU2
 BOM

SHEETS TOTAL	32	SHEET	32
DOC NO	112692	Rev.	E

HTC 1500iXT POWER UNIT 3

LIST OF DRAWINGS

FILENAME	DWGDESC	SH
112693B-01	LIST OF DRAWINGS	1
112693B-02	DESCRIPTION	2
112693B-03	LAYOUT	3
112693B-04	LAYOUT	4
112693B-05	CIRCUIT DIAGRAM	5
112693B-06	EXT. CONNECTION DIAGRAM	6
112693B-07	BOM	7
112693B-08	BOM	8

				 HTC Sweden AB Box 69 - 614 22 Söderköping T: +46 (0)121-29400 F: +46 (0)121-15212 All rights reserved - Copyright	ENGINEER	DJ	HTC SWEDEN AB HTC 1500iXT PU3 LIST OF DRAWINGS	SHEETS TOTAL 8 SHEET 1	
B	NEW DESIGN	ML	120927		DRAWN BY	DJ		DOC NO 112693 Rev. B	
A	CABLES	DJ	090525		CHKD BY				
REV.	REV. DESC	SIGN.	DATE		DATE	090506			

DESCRIPTION FOR HTC 1500iXT POWER UNIT 3

SUPPLY: 400-480 VAC 50/60HZ, 16A.

- X301: CANOPEN CONNECTOR
- X302: POWER INPUT (VPC FROM PU1)
- X303: POWER OUTPUT TO PU4
- X304: 24VDC OUTPUT TO PU4
- W301: VAC MOTOR
- W302: TEMPERATURE CONTACT
- W303: ELECTROMAGNET (VALVE)

INVERTER PARAMETERS
 VSD6: HTC1500iXT_NID3_XXX.DWP



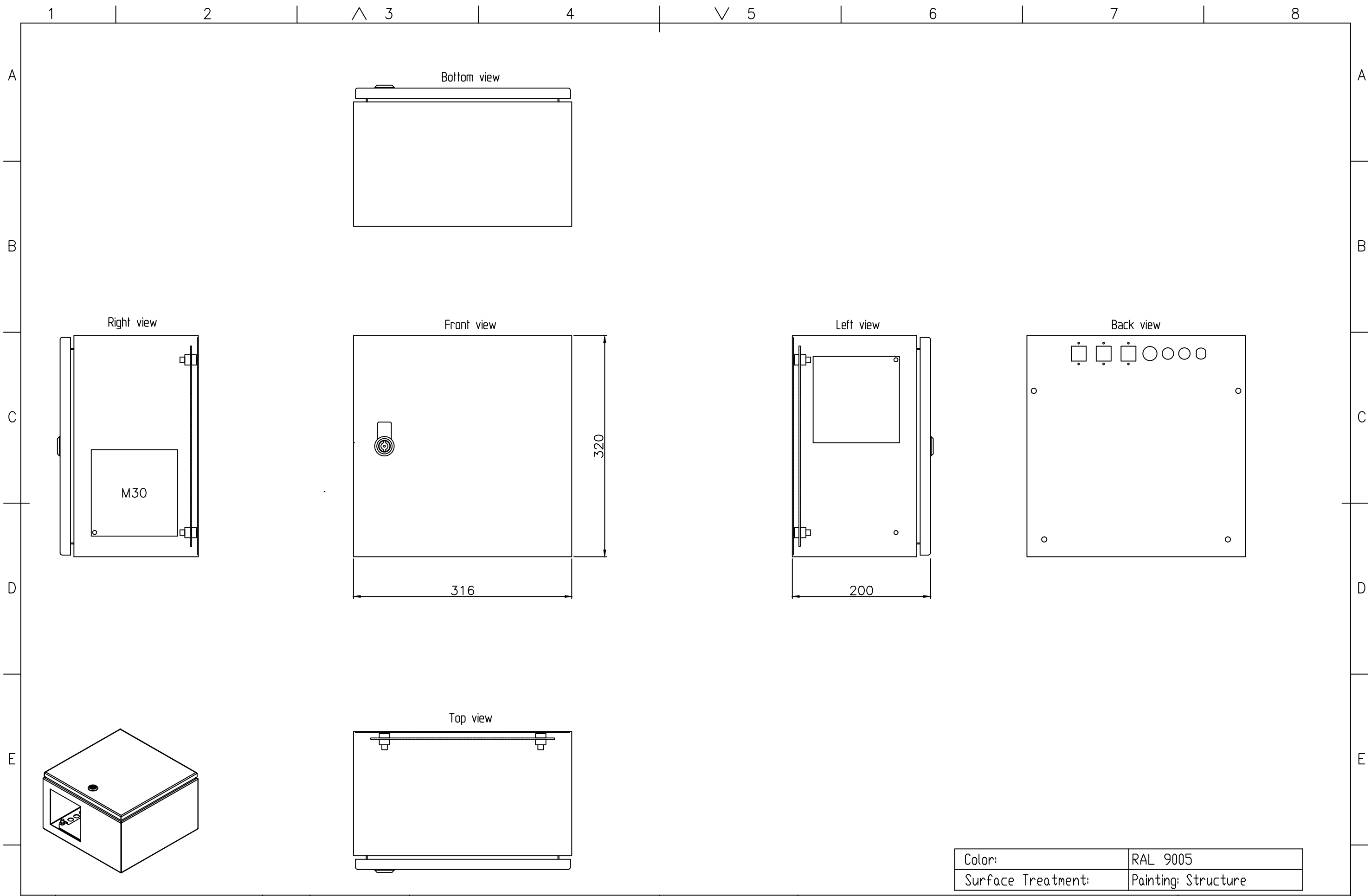
HTC Sweden AB
 Box 69 - 614 22 Söderköping
 T: +46 (0)121-29400
 F: +46 (0)121-15212
 All rights reserved - Copyright

ENGINEER	DJ
DRAWN BY	DJ
CHKD BY	
DATE	090506

HTC SWEDEN AB
 HTC 1500iXT
 PU3
 DESCRIPTION

SHEETS TOTAL	8	SHEET	2
DOC NO	112693	Rev.	B

REV.	REV. DESC	SIGN.	DATE
B	NEW DESIGN	ML	120927
A	CABLES	DJ	090525



Color:	RAL 9005
Surface Treatment:	Painting: Structure

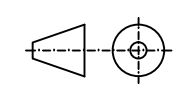
REV.	REV. DESC	SIGN.	DATE
B	NEW DESIGN	ML	120927
A	CABLES	DJ	090525

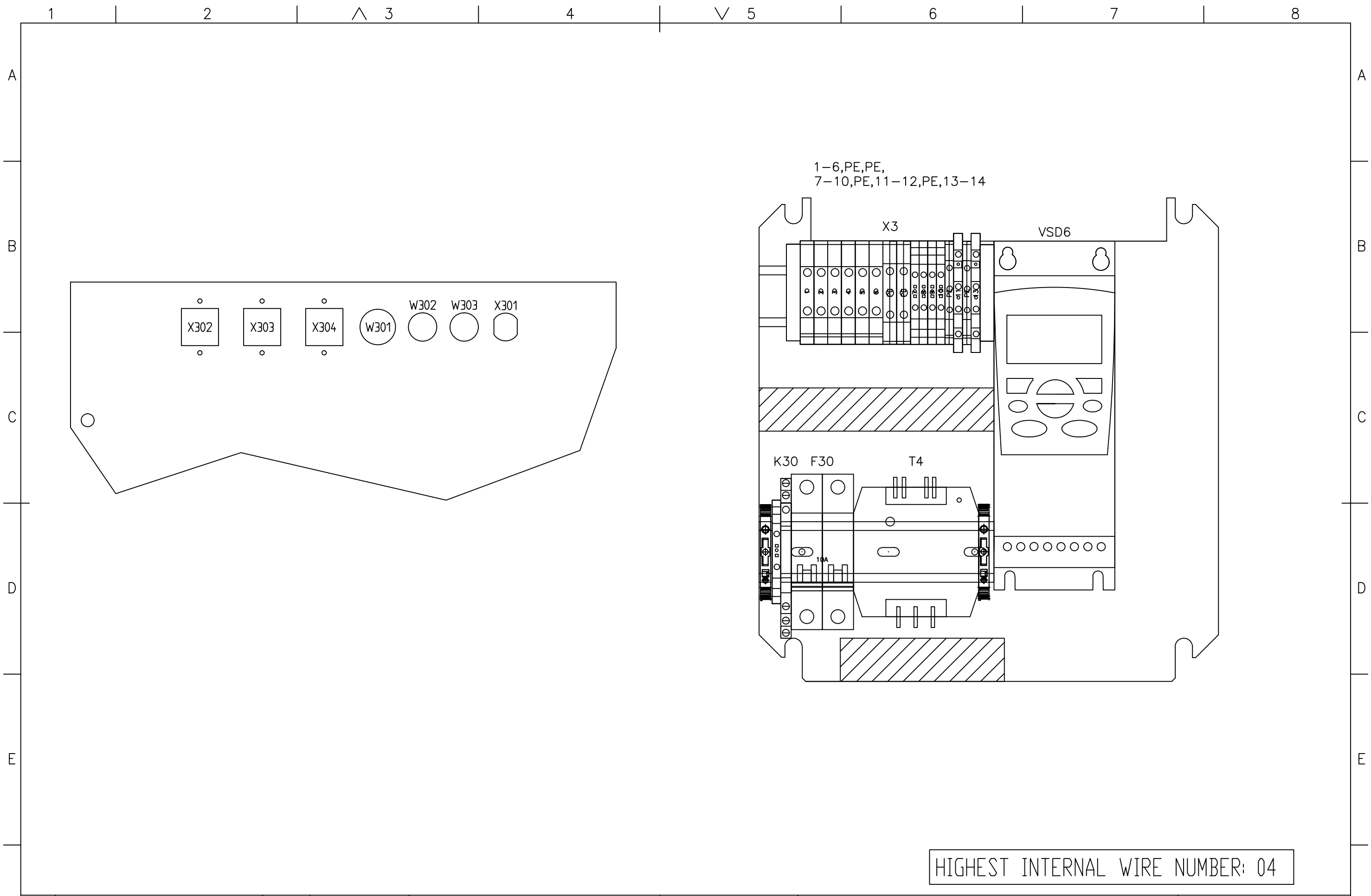
HTC Sweden AB
 Box 69 - 614 22 Söderköping
 T: +46 (0)121-29400
 F: +46 (0)121-15212
 All rights reserved - Copyright

ENGINEER DJ
 DRAWN BY DJ
 CHKD BY
 DATE 090506

HTC SWEDEN AB
 HTC 1500iXT
 PU3
 LAYOUT

SHEETS TOTAL	8	SHEET	3
DOC NO	112693	Rev.	B





REV.	REV. DESC	SIGN.	DATE
B	NEW DESIGN	ML	120927
A	CABLES	DJ	090525

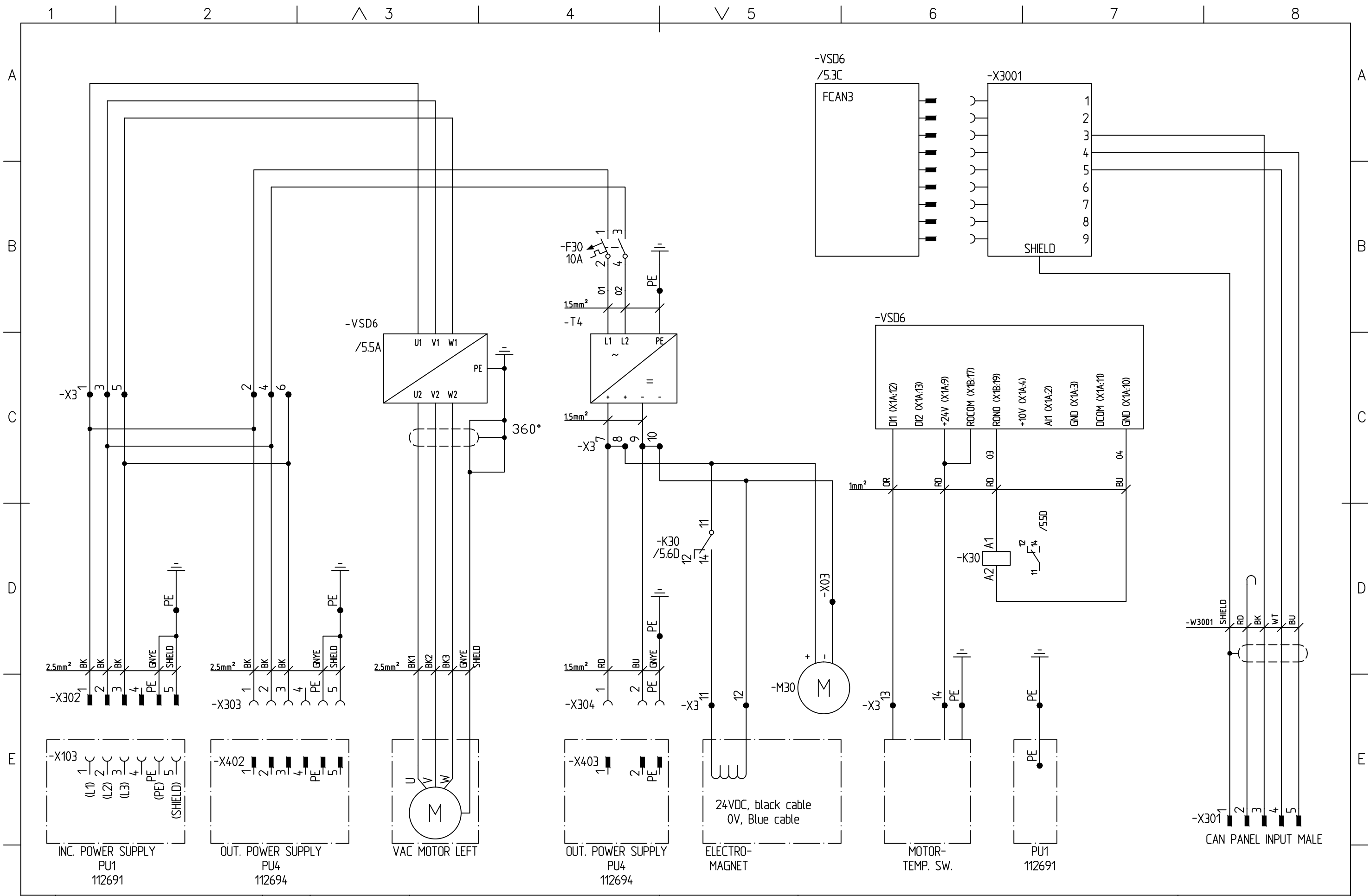


HTC Sweden AB
 Box 69 - 614 22 Söderköping
 T: +46 (0)121-29400
 F: +46 (0)121-15212
 All rights reserved - Copyright

ENGINEER	DJ
DRAWN BY	DJ
CHKD BY	
DATE	090506

HTC SWEDEN AB
 HTC 1500iXT
 PU3
 LAYOUT

SHEETS TOTAL	8	SHEET	4
DOC NO	112693	Rev.	B



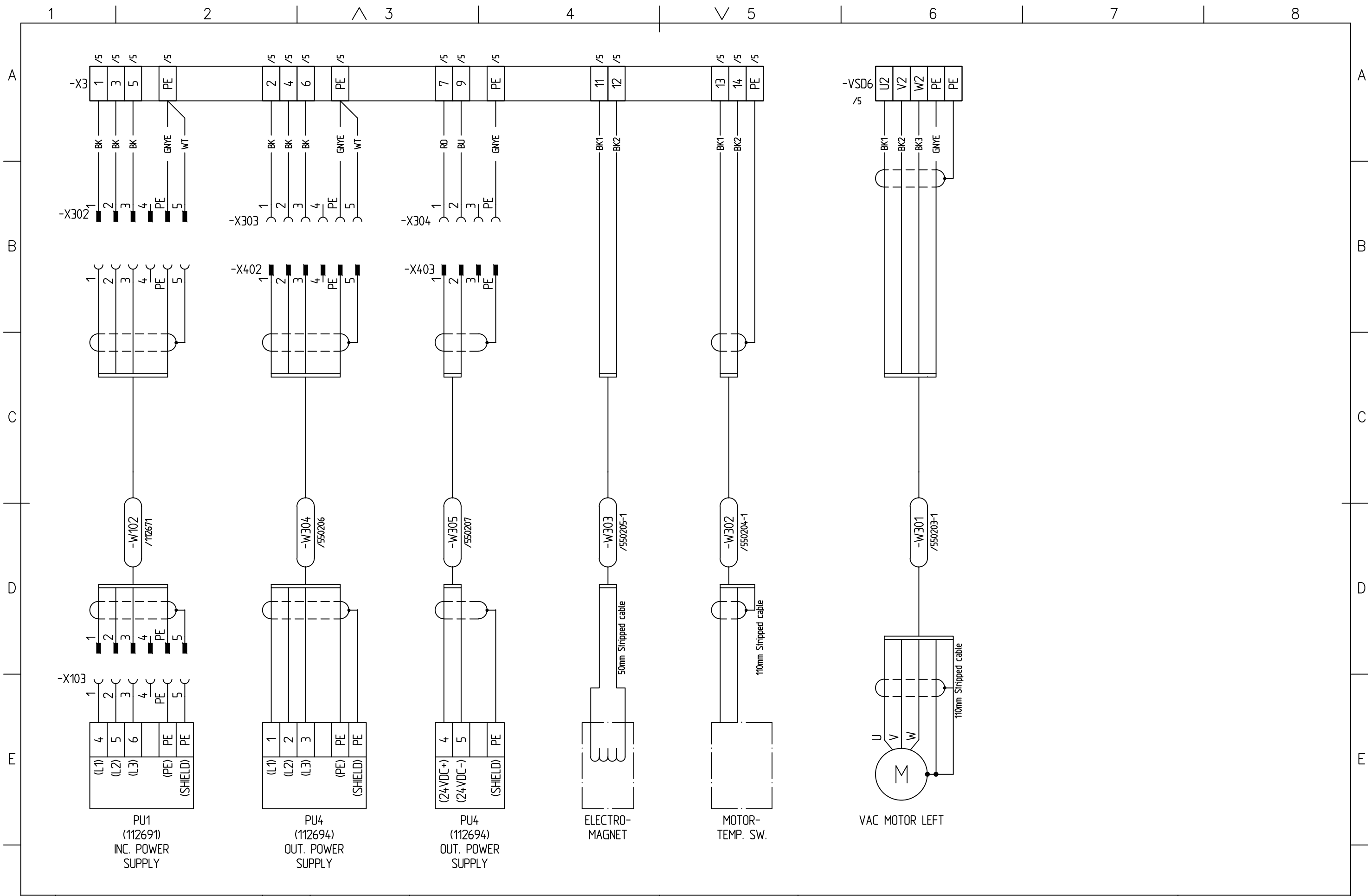
B	NEW DESIGN	ML	120927
A	CABLES	DJ	090525
REV.	REV. DESC	SIGN.	DATE

HTC Sweden AB
 Box 69 - 614 22 Söderköping
 T: +46 (0)121-29400
 F: +46 (0)121-15212
 All rights reserved - Copyright

ENGINEER DJ
 DRAWN BY DJ
 CHKD BY
 DATE 090506

HTC SWEDEN AB
 HTC 1500iXT
 PU3
 CIRCUIT DIAGRAM

SHEETS TOTAL	8	SHEET	5
DOC NO	112693	Rev.	B



B	NEW DESIGN	ML	120927
A	CABLES	DJ	090525
REV.	REV. DESC	SIGN.	DATE


HTC Sweden AB
 Box 69 - 614 22 Söderköping
 T: +46 (0)121-29400
 F: +46 (0)121-15212
 All rights reserved - Copyright

ENGINEER	DJ
DRAWN BY	DJ
CHKD BY	
DATE	090506

HTC SWEDEN AB
 HTC 1500iXT
 PU3
 EXT. CONNECTION DIAGRAM

SHEETS TOTAL	8	SHEET	6
DOC NO	112693	Rev.	B

1	2	3	4	5	6	7	8	
ITEM	TAG	QTY	DESIGNATION	HTC NO.	CATALOGUE NO.	MANUFACTURER	DATA	REMARK
A	-EN1	1	Enclosure		KOT61326	Ensto	316x320x200, RAL9005	
	-F30	1	MCB		5SY6 210-6	Siemens	2-Pole, 10A, Type B	
	-K30	1	Interface relay		8533640000	Weidmuller	24VDC, 1CO, 6A	
	-M30	1	Filter fan		46902022	Ebm-papst	24VDC, 54m3/h	
		1	Filter holder		4628276	Ebm-papst		
B	-T4	1	Power supply		ML100.200	Puls	380-480VAC/24VDC	
	-VSD6	1	Frequency converter		ACS355-03E-07A3-4	ABB	380-480VAC, 3kW	
		1	Control panel		ACS-CP-A	ABB		
		1	Fieldbus Canopen module		FCAN-01	ABB		
	-W102	1	Cable				See drawing:112671	
C	-W301	1	Cable				See drawing:550203-1	
	-W302	1	Cable				See drawing:550204-1	
	-W303	1	Cable				See drawing:550205-1	
	-W304	1	Cable				See drawing:550206	
	-W305	1	Cable				See drawing:550207	
D	-X03	1	Terminal WDU2.5BL		1020080000	Weidmuller		
	-X3	2	End bracket WEW35/2		1061200000	Weidmuller		
		2	Terminal WDU2.5BL		1020080000	Weidmuller		
		6	Terminal WDU6		1020200000	Weidmuller		
		2	Earth terminal WPE2.5		1010000000	Weidmuller		
		2	Terminal WDU2.5		1020000000	Weidmuller		
		2	Terminal WPE6		1010200000	Weidmuller		
		2	Terminal WDK2.5		1021500000	Weidmuller		
E		3	Cross-connection WQV6/2		1052360000	Weidmuller		
		2	Cross-connection WQV2.5/2		1053660000	Weidmuller		

B	NEW DESIGN	ML	120927
A	CABLES	DJ	090525
REV.	REV. DESC	SIGN.	DATE



HTC Sweden AB
 Box 69 - 614 22 Söderköping
 T: +46 (0)121-29400
 F: +46 (0)121-15212
 All rights reserved - Copyright

ENGINEER	DJ
DRAWN BY	DJ
CHKD BY	
DATE	090506


HTC SWEDEN AB
 HTC 1500iXT
 PU3
 BOM

SHEETS TOTAL	8	SHEET	7
DOC NO	112693	Rev.	B

HTC 1500iXT POWER UNIT 4

LIST OF DRAWINGS

FILENAME	DWGDESC	SH
112694B-01	LIST OF DRAWINGS	1
112694B-02	DESCRIPTION	2
112694B-03	LAYOUT	3
112694B-04	LAYOUT	4
112694B-05	CIRCUIT DIAGRAM	5
112694B-06	EXT. CONNECTION DIAGRAM	6
112694B-07	BOM	7

				 HTC Sweden AB Box 69 - 614 22 Söderköping T: +46 (0)121-29400 F: +46 (0)121-15212 All rights reserved - Copyright	ENGINEER	DJ	HTC SWEDEN AB HTC 1500iXT PU4 LIST OF DRAWINGS	SHEETS TOTAL 7 SHEET 1	
B	NEW DESIGN	ML	120927		DRAWN BY	DJ		DOC NO 112694 Rev. B	
A	CABLES	DJ	090528		CHKD BY				
REV.	REV. DESC	SIGN.	DATE		DATE	090506			

DESCRIPTION FOR HTC 1500iXT POWER UNIT 4

SUPPLY: 400-480 VAC 50/60HZ, 16A.

- X401: CANOPEN CONNECTOR
- W401: VAC MOTOR
- W402: TEMPERATURE CONTACT
- W403: ELECTROMAGNET (VALVE)
- W304: POWER INPUT (FROM PU3)
- W305: 24VDC INTPUT (FROM PU3)

INVERTER PARAMETERS
 VSD7: HTC1500iXT_NID4_XXX.DWP



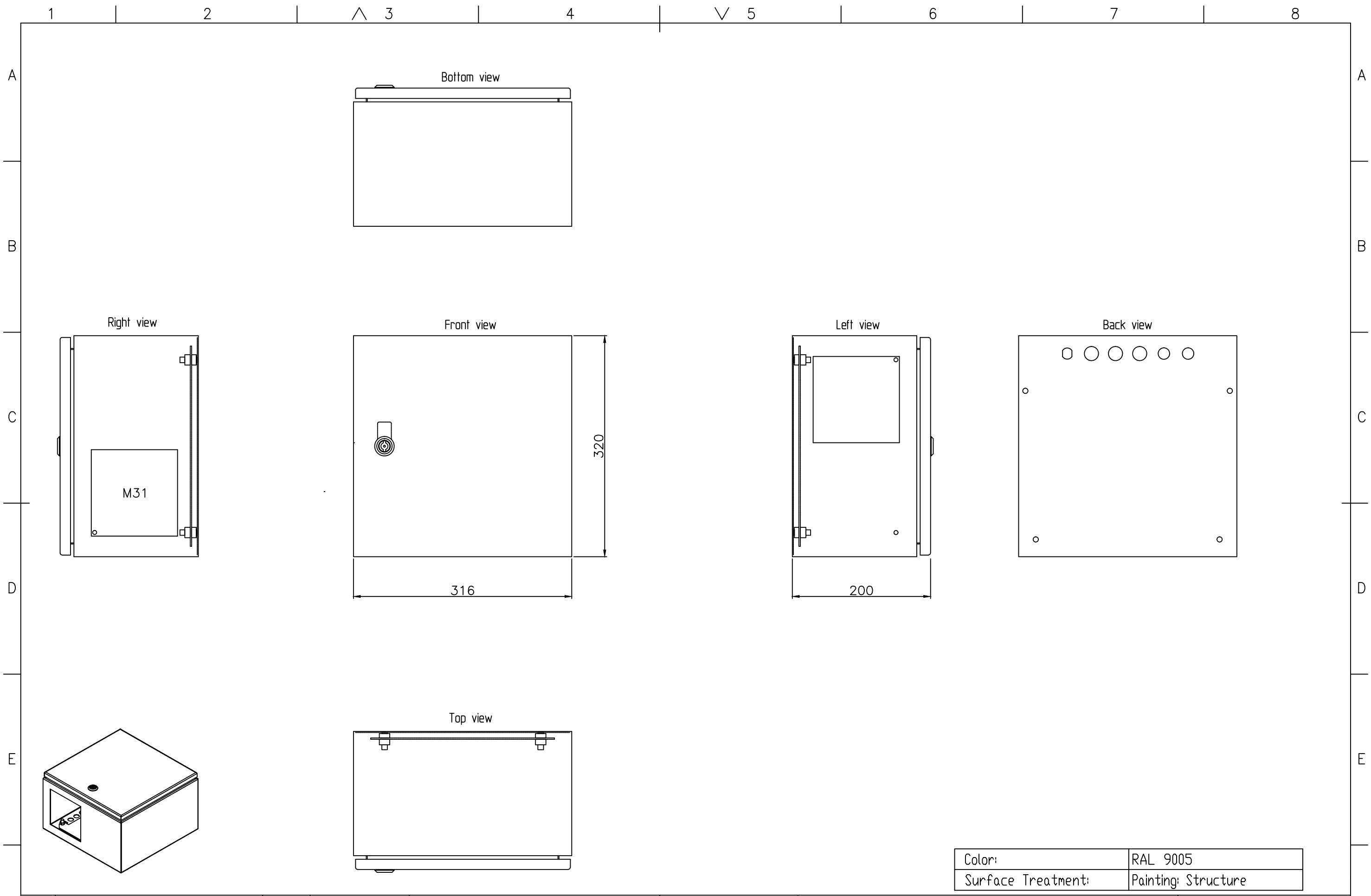
HTC Sweden AB
 Box 69 - 614 22 Söderköping
 T: +46 (0)121-29400
 F: +46 (0)121-15212
 All rights reserved - Copyright

ENGINEER DJ
 DRAWN BY DJ
 CHKD BY
 DATE 090506

HTC SWEDEN AB
 HTC 1500iXT
 PU4
 DESCRIPTION

SHEETS TOTAL	7	SHEET	2
DOC NO	112694	Rev.	B

REV.	REV. DESC	SIGN.	DATE						
B	NEW DESIGN	ML	120927						
A	CABLES	DJ	090528						



Color:	RAL 9005
Surface Treatment:	Painting: Structure

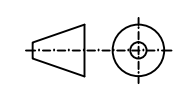
REV.	REV. DESC	SIGN.	DATE
B	NEW DESIGN	ML	120927
A	CABLES	DJ	090528

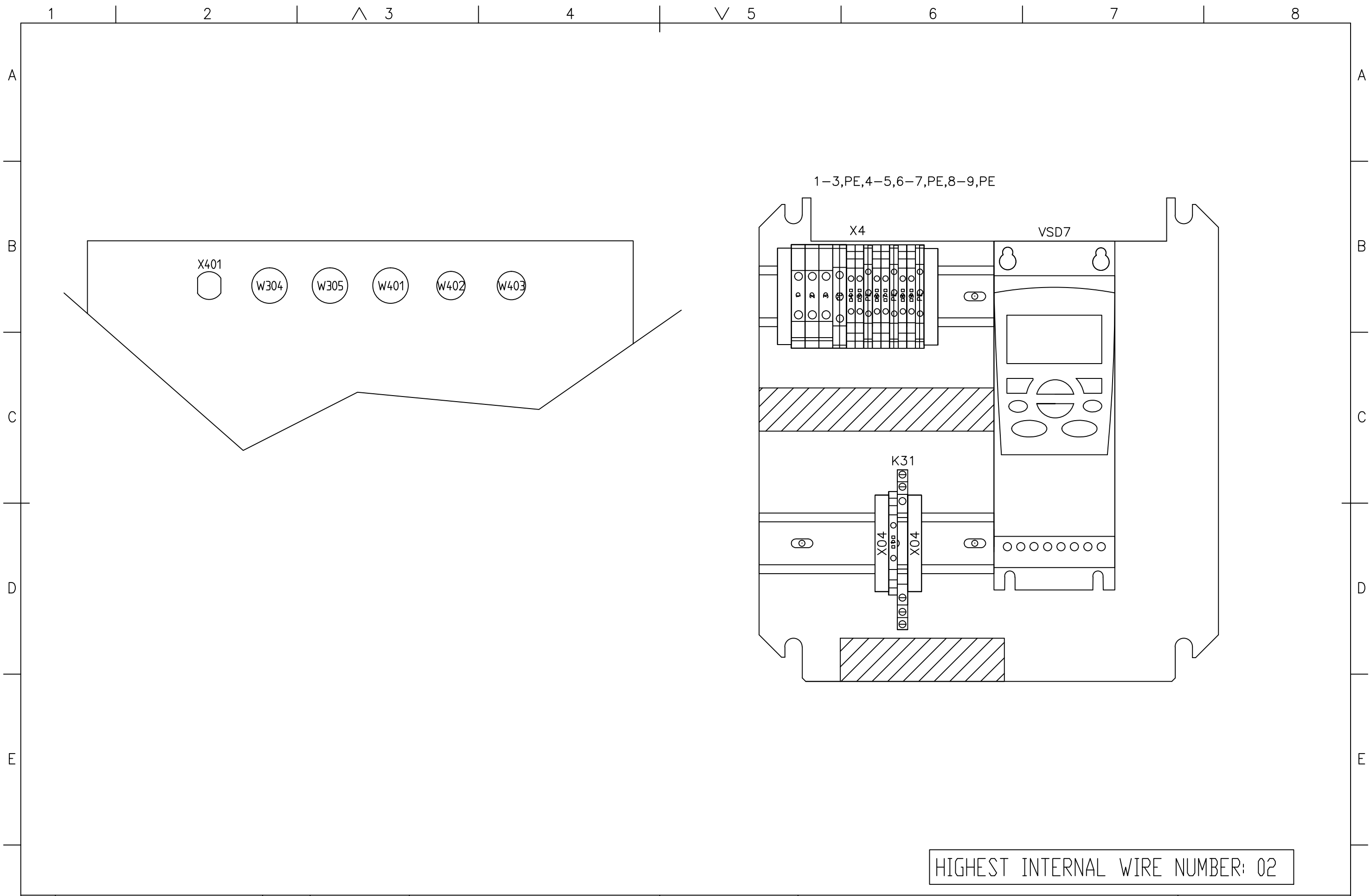
HTC Sweden AB
 Box 69 - 614 22 Söderköping
 T: +46 (0)121-29400
 F: +46 (0)121-15212
 All rights reserved - Copyright

ENGINEER DJ
 DRAWN BY DJ
 CHKD BY
 DATE 090506

HTC SWEDEN AB
 HTC 1500iXT
 PU4
 LAYOUT

SHEETS TOTAL	7	SHEET	3
DOC NO	112694	Rev.	B





B	NEW DESIGN	ML	120927
A	CABLES	DJ	090528
REV.	REV. DESC	SIGN.	DATE

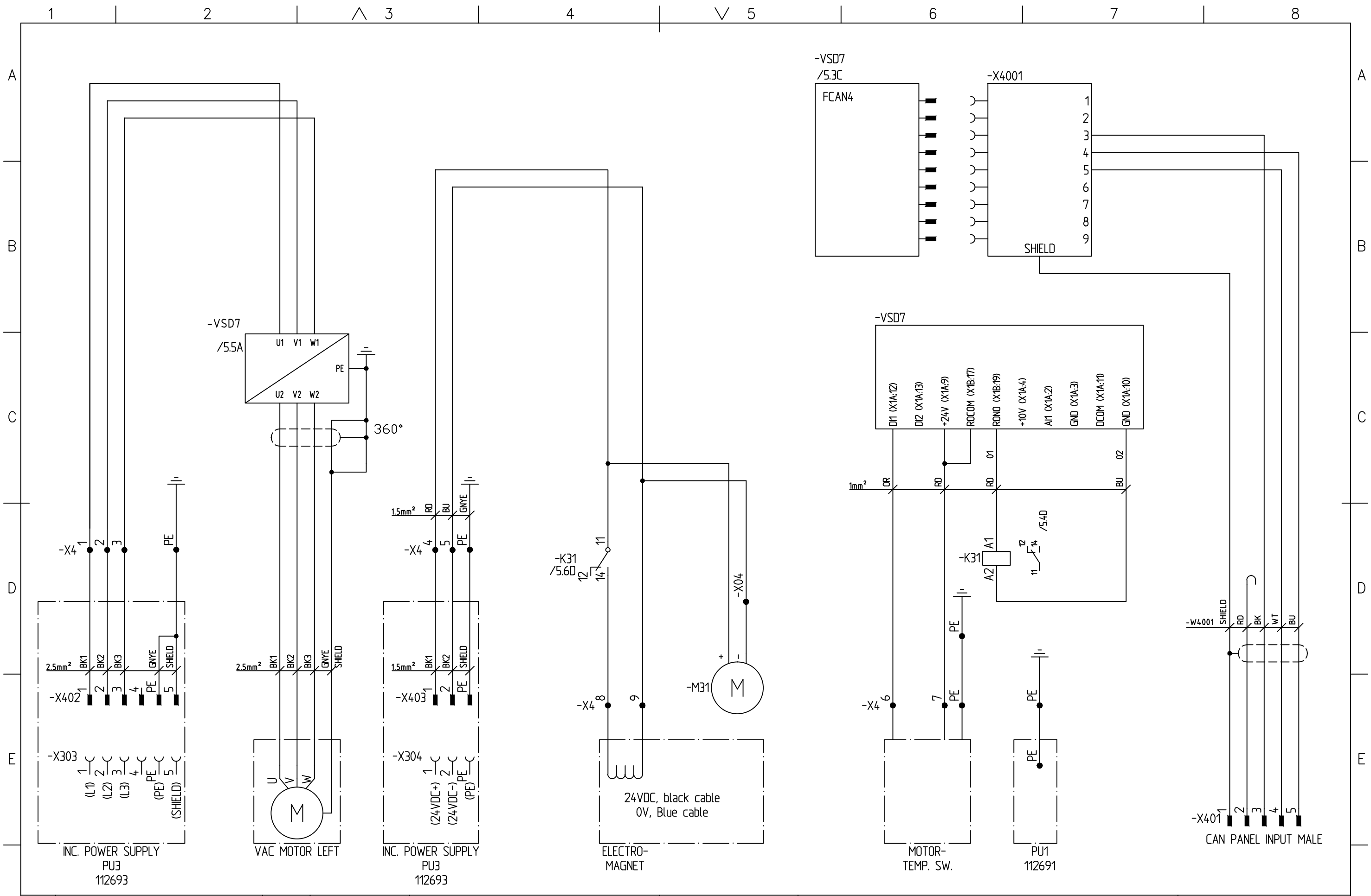


HTC Sweden AB
 Box 69 - 614 22 Söderköping
 T: +46 (0)121-29400
 F: +46 (0)121-15212
 All rights reserved - Copyright

ENGINEER	DJ
DRAWN BY	DJ
CHKD BY	
DATE	090506

HTC SWEDEN AB
 HTC 1500iXT
 PU4
 LAYOUT

SHEETS TOTAL	7	SHEET	4
DOC NO	112694	Rev.	B



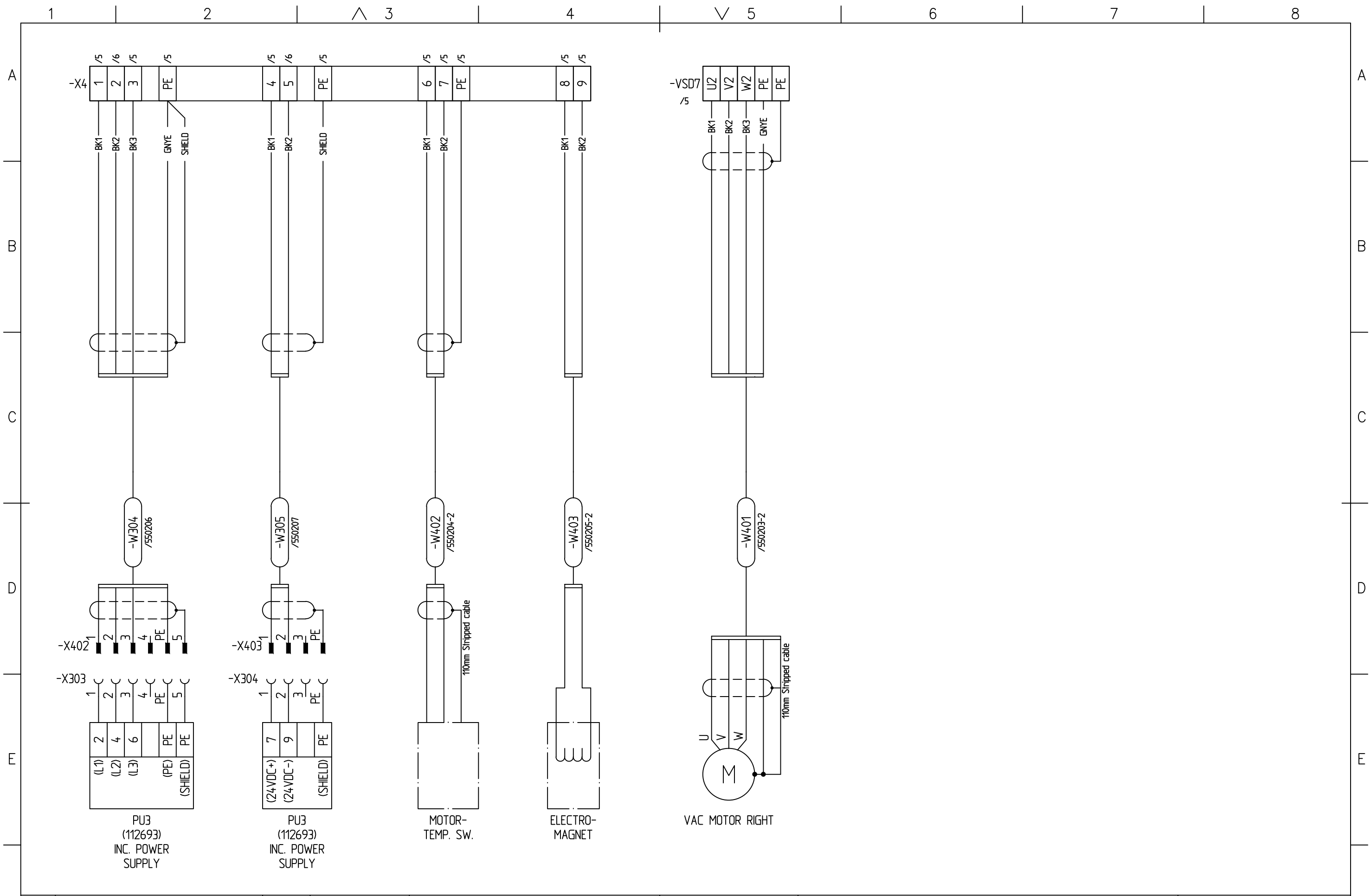
B	NEW DESIGN	ML	120927
A	CABLES	DJ	090528
REV.	REV. DESC	SIGN.	DATE

HTC Sweden AB
 Box 69 - 614 22 Söderköping
 T: +46 (0)121-29400
 F: +46 (0)121-15212
 All rights reserved - Copyright

ENGINEER DJ
 DRAWN BY DJ
 CHKD BY
 DATE 090506

HTC SWEDEN AB
 HTC 1500iXT
 PU4
 CIRCUIT DIAGRAM

SHEETS TOTAL	7	SHEET	5
DOC NO	112694	Rev.	B



B	NEW DESIGN	ML	120927
A	CABLES	DJ	090528
REV.	REV. DESC	SIGN.	DATE


HTC Sweden AB
 Box 69 - 614 22 Söderköping
 T: +46 (0)121-29400
 F: +46 (0)121-15212
 All rights reserved - Copyright


ENGINEER	DJ
DRAWN BY	DJ
CHKD BY	
DATE	090506

HTC SWEDEN AB
 HTC 1500iXT
 PU4
CONNECTION DIAGRAM

SHEETS TOTAL	7	SHEET	6
DOC NO	112694	Rev.	B

1	2	3	4	5	6	7	8	
ITEM	TAG	QTY	DESIGNATION	HTC NO.	CATALOGUE NO.	MANUFACTURER	DATA	REMARK
A	-EN1	1	Enclosure		KOT61325	Ensto	316x320x200, RAL9005	
	-K31	1	Interface relay		8533640000	Weidmuller	24VDC, 1CO, 6A	
	-M31	1	Filter fan		46902022	Ebm-papst	24VDC, 54m3/h	
		1	Filter holder		4628276	Ebm-papst		
B	-VSD7	1	Frequency converter		ACS355-03E-07A3-4	ABB	380-480VAC, 3kW	
		1	Control panel		ACS-CP-A	ABB		
		1	Fieldbus Canopen module		FCAN-01	ABB		
	-W304	1	Cable				See drawing:550206	
B	-W305	1	Cable				See drawing:550207	
	-W401	1	Cable				See drawing:550203-2	
	-W402	1	Cable				See drawing:550204-2	
	-W403	1	Cable				See drawing:550205-2	
C	-X04	2	End bracket WEW35/2		1061200000	Weidmuller		
		1	Terminal WDU2.5BL		1020080000	Weidmuller		
	-X4	2	End bracket WEW35/2		1061200000	Weidmuller		
		3	Terminal WDU6		1020200000	Weidmuller		
		1	Earth terminal WPE6		1010200000	Weidmuller		
		4	Terminal WDU2.5		1020000000	Weidmuller		
D		2	Terminal WDU2.5BL		1020080000	Weidmuller		
		3	Earth terminal WPE2.5		1010000000	Weidmuller		
	-X401	1	Can/devicenet male con.		1525649	Phoenix contact	5 pins	
	-X4001	1	Can bus connector		103643	Erni		with terminal

B	NEW DESIGN	ML	120927
A	CABLES	DJ	090528
REV.	REV. DESC	SIGN.	DATE



HTC Sweden AB
 Box 69 - 614 22 Söderköping
 T: +46 (0)121-29400
 F: +46 (0)121-15212
 All rights reserved - Copyright

ENGINEER	DJ
DRAWN BY	DJ
CHKD BY	
DATE	090506


HTC SWEDEN AB
 HTC 1500iXT
 PU4
 BOM

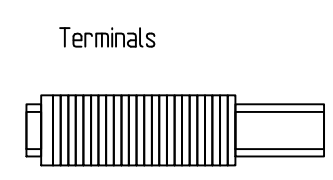
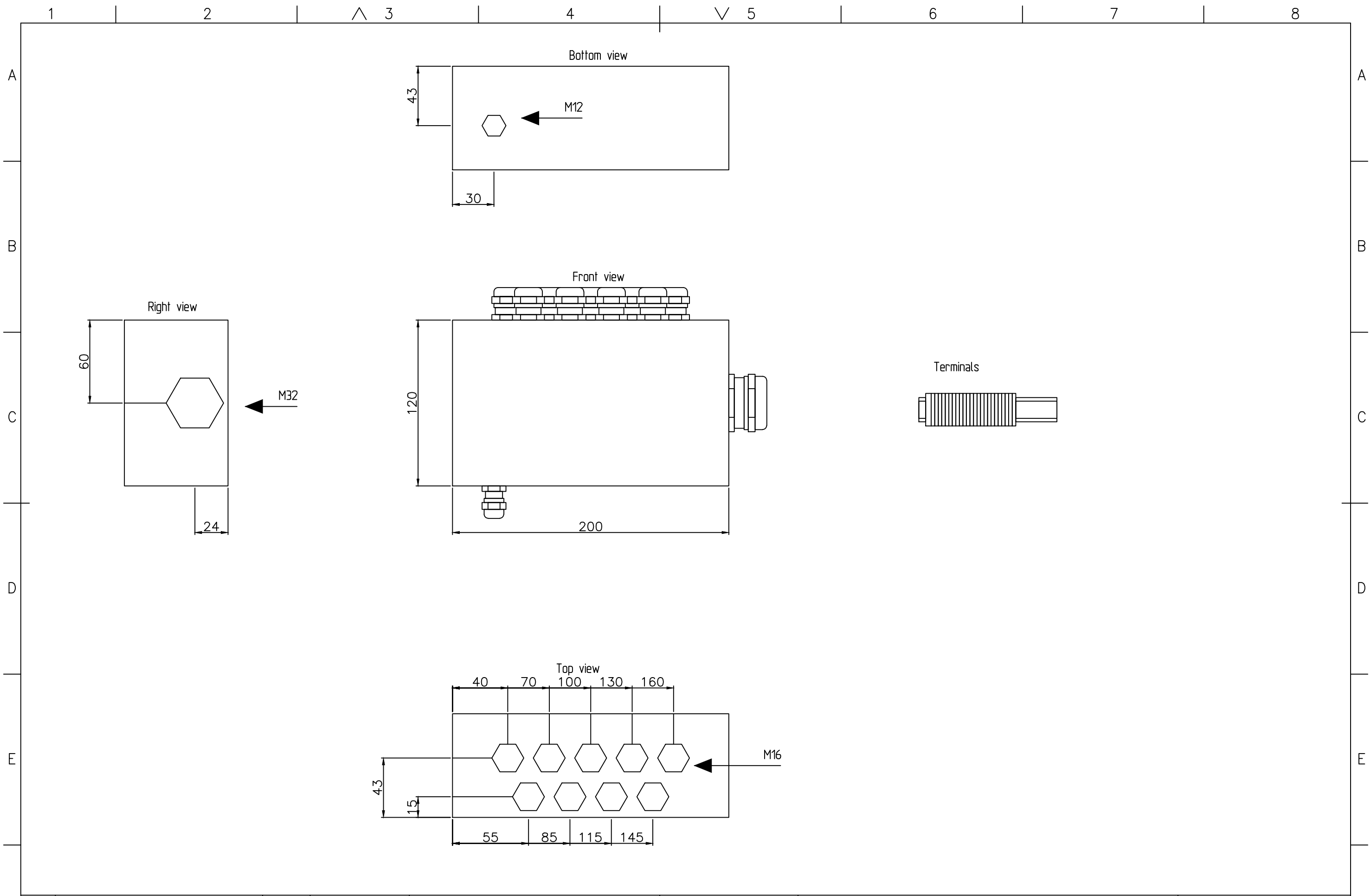
SHEETS TOTAL	7	SHEET	7
DOC NO	112694	Rev.	B

CONNECTION BOX

LIST OF DRAWINGS

FILENAME	DWGDESC	SH
112697A-01	LIST OF DRAWINGS	1
112697A-02	LAYOUT	2
112697A-03	EXT. CONNECTION DIAGRAM	3
112697A-04	BOM	4

				 HTC Sweden AB Box 69 - 614 22 Söderköping T: +46 (0)121-29400 F: +46 (0)121-15212 All rights reserved - Copyright	ENGINEER DJ	HTC SWEDEN AB HTC 1500iXT CONNECTION BOX LIST OF DRAWINGS	SHEETS TOTAL 4 SHEET 1	
B	Cables changed	JD	130703		DRAWN BY ML		DOC NO 112697 Rev. B	
A	NEW DESIGN	ML	120928		CHKD BY			
REV.	REV. DESC	SIGN.	DATE		DATE 120605			



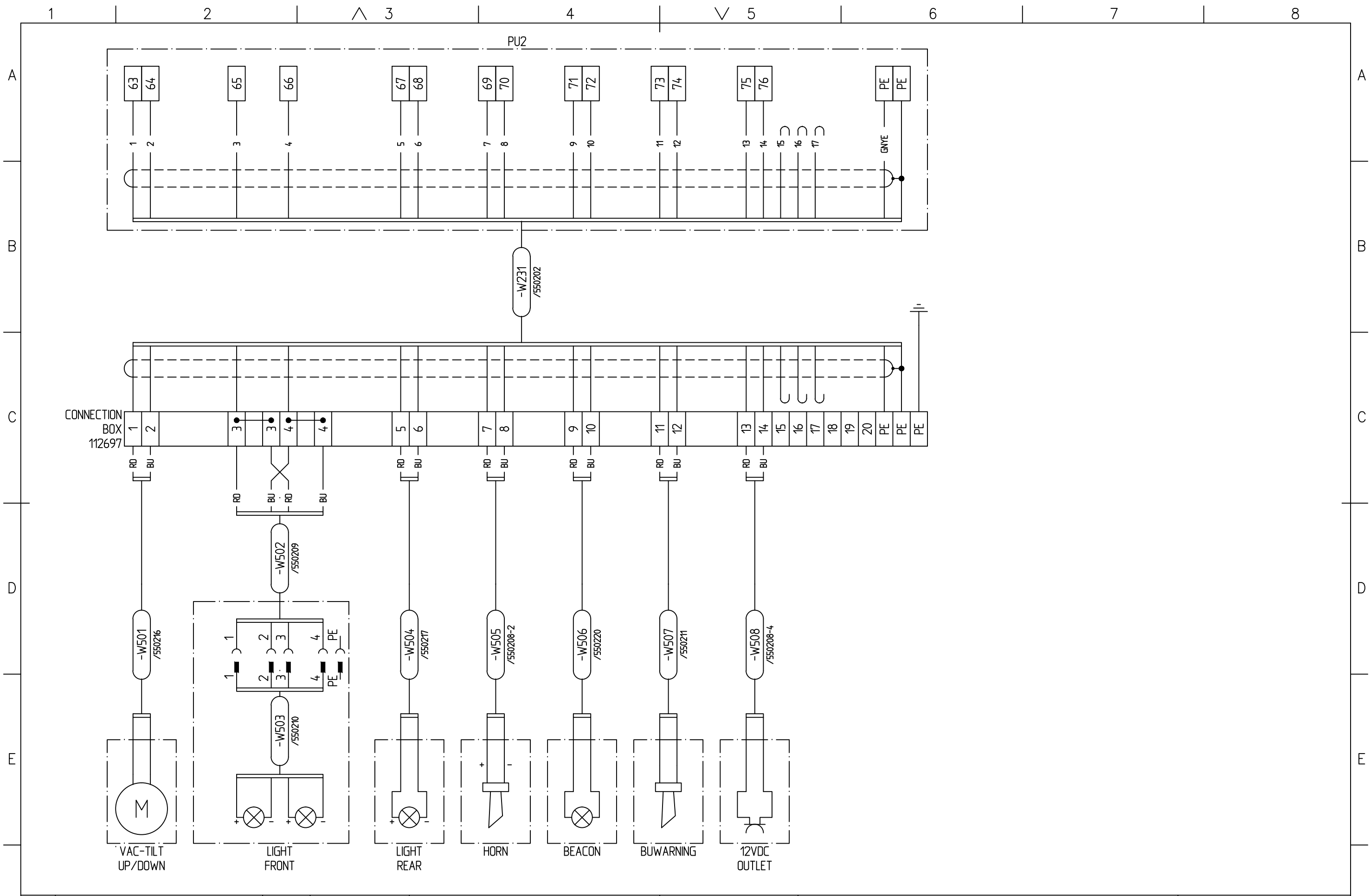
REV.	REV. DESC	SIGN.	DATE
B	Cables changed	JD	130703
A	NEW DESIGN	ML	120928

HTC Sweden AB
 Box 69 - 614 22 Söderköping
 T: +46 (0)121-29400
 F: +46 (0)121-15212
 All rights reserved - Copyright

ENGINEER DJ
 DRAWN BY ML
 CHKD BY
 DATE 120605

HTC SWEDEN AB
 HTC 1500iXT
 CONNECTION BOX
 LAYOUT

SHEETS TOTAL	4	SHEET	2
DOC NO	112697	Rev.	B



B	Cables changed	JD	130703
A	NEW DESIGN	ML	120928
REV.	REV. DESC	SIGN.	DATE


HTC Sweden AB
 Box 69 - 614 22 Söderköping
 T: +46 (0)121-29400
 F: +46 (0)121-15212
 All rights reserved - Copyright


ENGINEER DJ
 DRAWN BY ML
 CHKD BY
 DATE 120605
 HTC SWEDEN AB
 HTC 1500iXT
 CONNECTION BOX
 CONNECTION DIAGRAM EXT

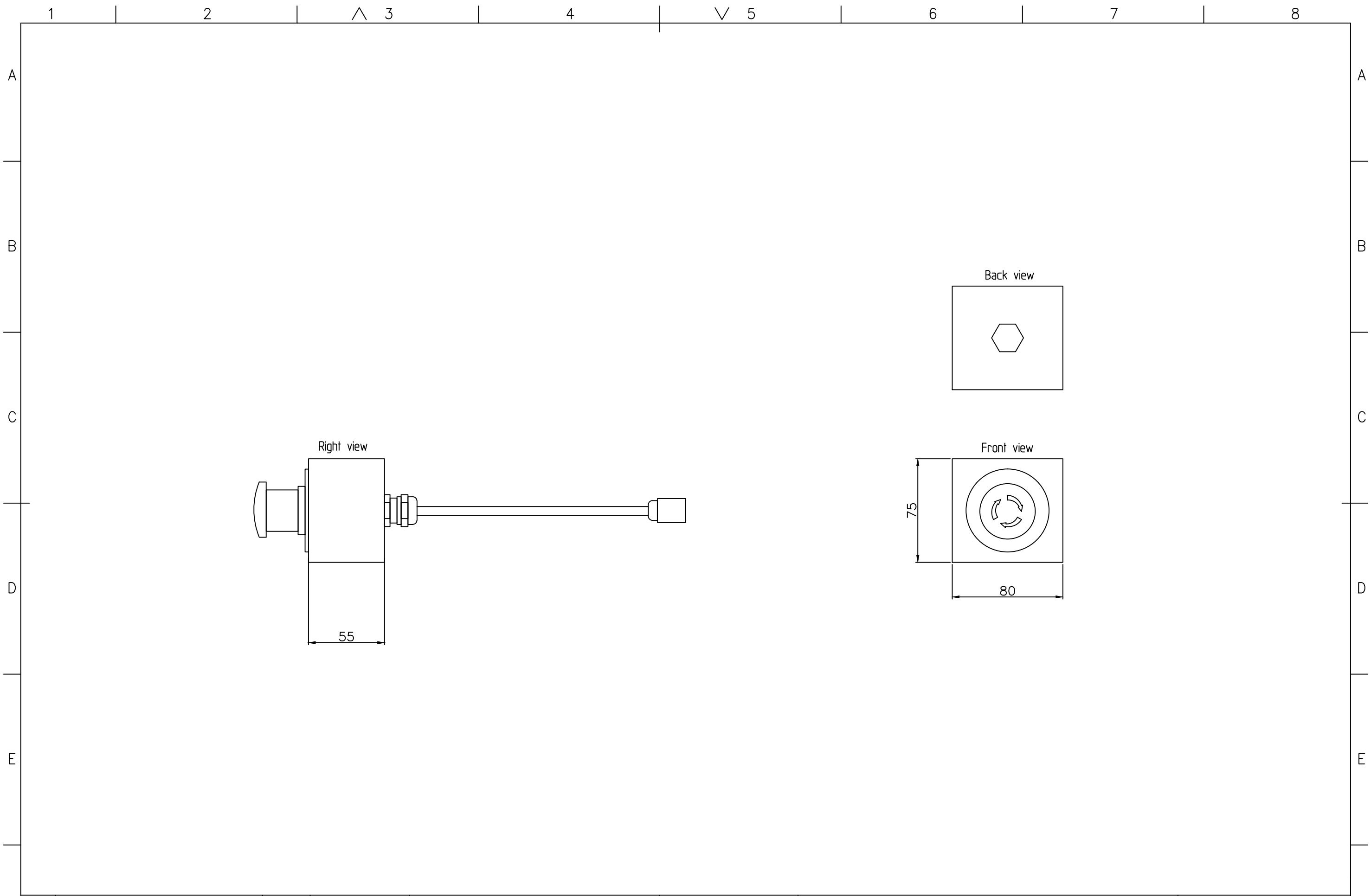
SHEETS TOTAL	4	SHEET	3
DOC NO	112697	Rev.	B

EMERGENCY STOP BOX

LIST OF DRAWINGS

FILENAME	DWGDESC	SH
112832-01	LIST OF DRAWINGS	1
112832-02	LAYOUT	2
112832-03	CONNECTION DIAGRAM (EXT)	3
112832-04	BOM	4

				 HTC Sweden AB Box 69 - 614 22 Söderköping T: +46 (0)121-29400 F: +46 (0)121-15212 All rights reserved - Copyright	ENGINEER	DJ	HTC SWEDEN AB HTC 1500iXT EMERGENCY STOP BOX LIST OF DRAWINGS	SHEETS TOTAL 4 SHEET 1	
B	Cable included	JD	130702		DRAWN BY	ML		DOC NO 112832 Rev. B	
A	EM-overlay added.	JD	130506		CHKD BY	VL			
REV.	REV. DESC	SIGN.	DATE		DATE	120605			



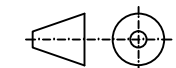
B	Cable included.	JD	130702
A	EM-overlay added.	JD	130507
REV.	REV. DESC	SIGN.	DATE



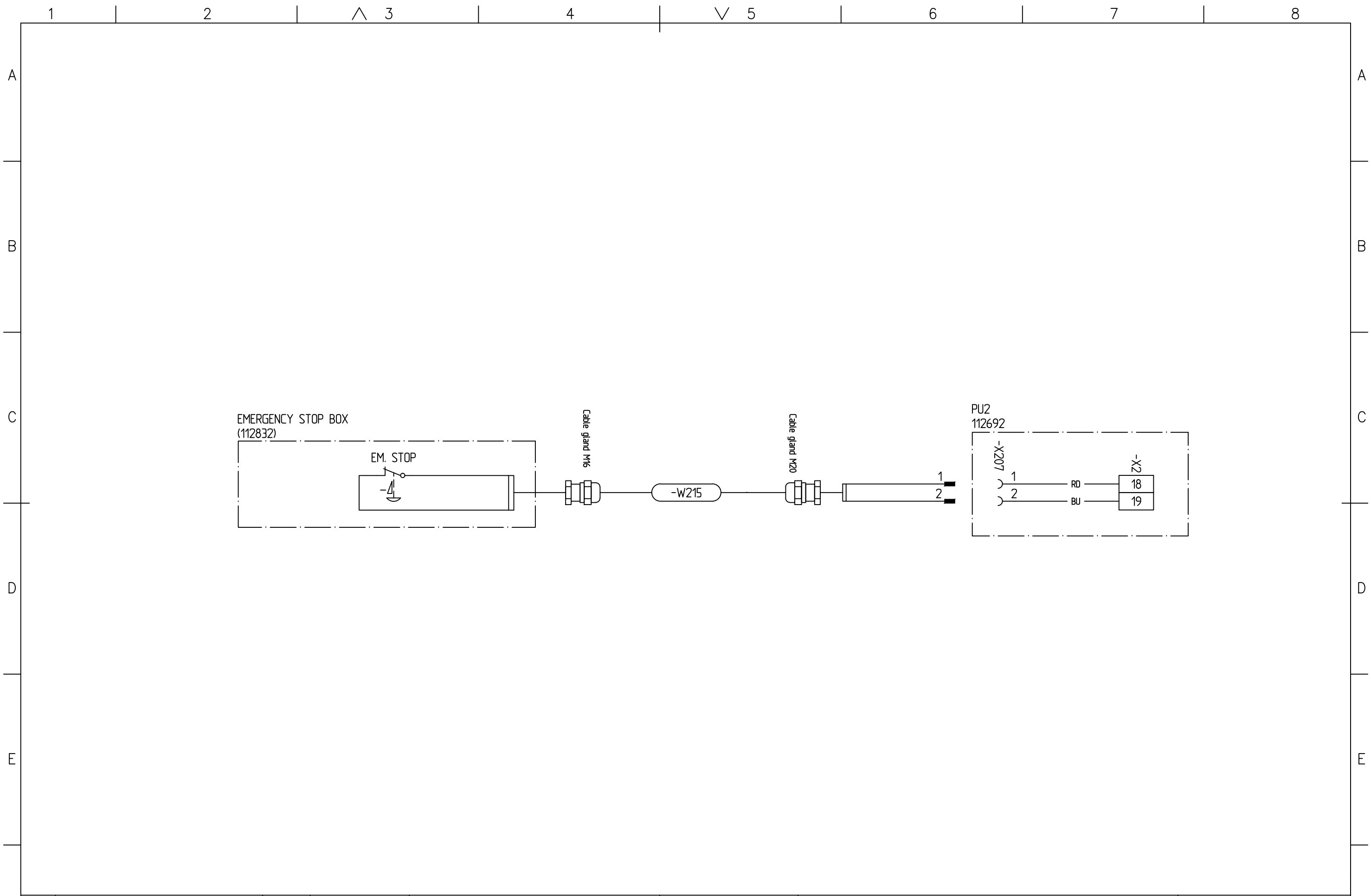
HTC Sweden AB
 Box 69 - 614 22 Söderköping
 T: +46 (0)121-29400
 F: +46 (0)121-15212
 All rights reserved - Copyright

ENGINEER	DJ
DRAWN BY	MLI
CHKD BY	VL
DATE	120605

HTC SWEDEN AB
 HTC 1500iXT
 EMERGENCY STOP BOX
 LAYOUT



SHEETS TOTAL	4	SHEET	2
DOC NO	112832	Rev.	B



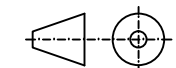
REV.	REV. DESC	SIGN.	DATE
B	Cable included.	JD	130702
A	EM-overlay added.	JD	130507



HTC Sweden AB
 Box 69 - 614 22 Söderköping
 T: +46 (0)121-29400
 F: +46 (0)121-15212
 All rights reserved - Copyright

ENGINEER	DJ
DRAWN BY	MLI
CHKD BY	VL
DATE	120605

HTC SWEDEN AB
 HTC 1500iXT
 EMERGENCY STOP BOX
 LAYOUT



SHEETS TOTAL	4	SHEET	3
DOC NO	112832	Rev.	B

HTC 1500iXT FILTER BOX

LIST OF DRAWINGS

FILENAME	DWGDESC	SH
550103A-01	LIST OF DRAWINGS	1
550103A-02	LAYOUT	2
550103A-03	EXT. CONNECTION DIAGRAM	3
550103A-04	BOM	4



HTC Sweden AB

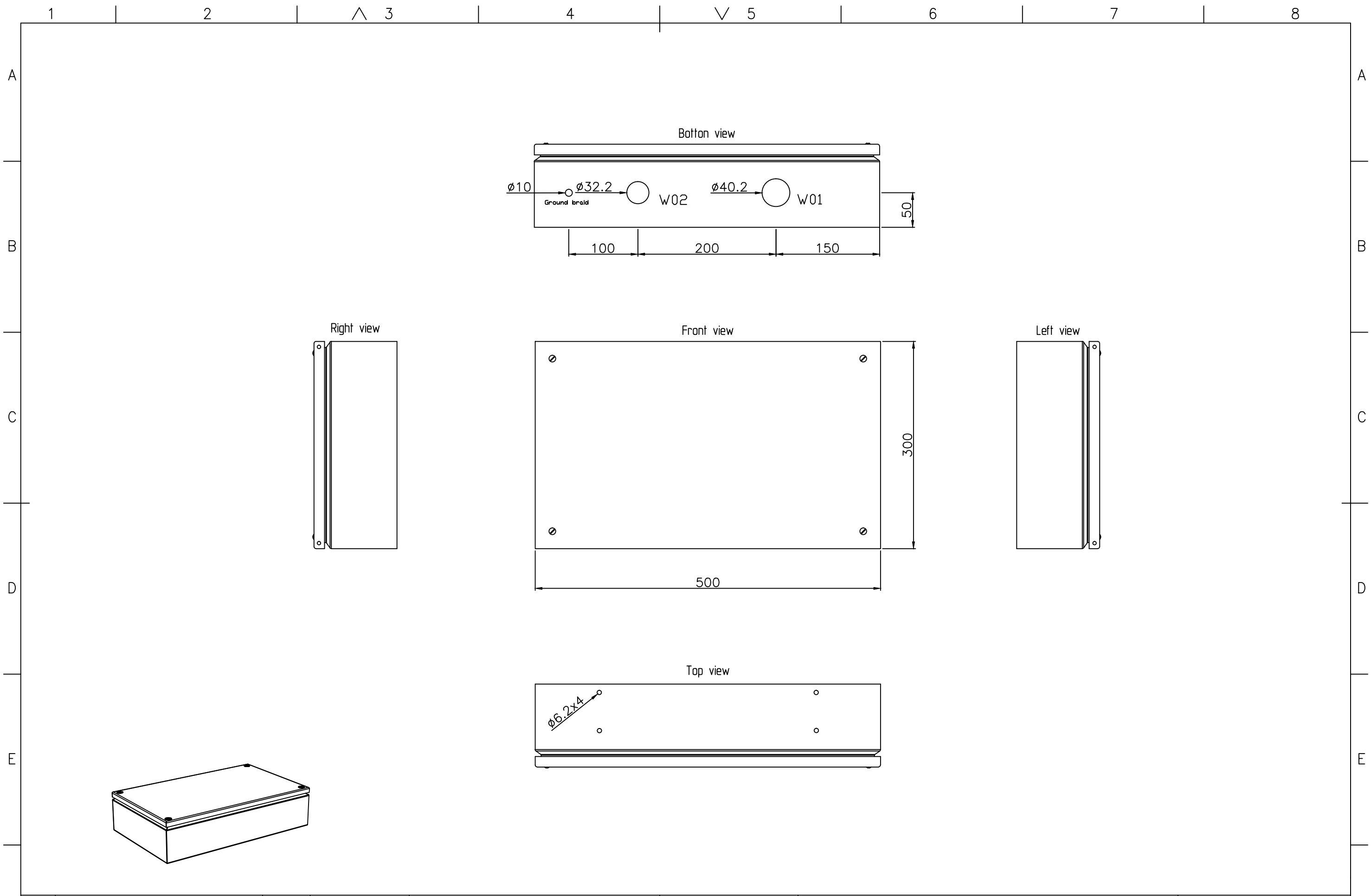
Box 69 - 614 22 Söderköping
 T: +46 (0)121-29400
 F: +46 (0)121-15212
 All rights reserved - Copyright

ENGINEER DJ
 DRAWN BY DJ
 CHKD BY
 DATE 090910

HTC SWEDEN AB
 HTC 1500iXT
 FILTER BOX
 LIST OF DRAWINGS

SHEETS TOTAL	5	SHEET	1
DOC NO	550103	Rev.	A

REV.	REV. DESC	SIGN.	DATE
A	NEW DESIGN	ML	120927

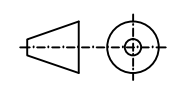


A	NEW DESIGN	ML	120927
REV.	REV. DESC	SIGN.	DATE

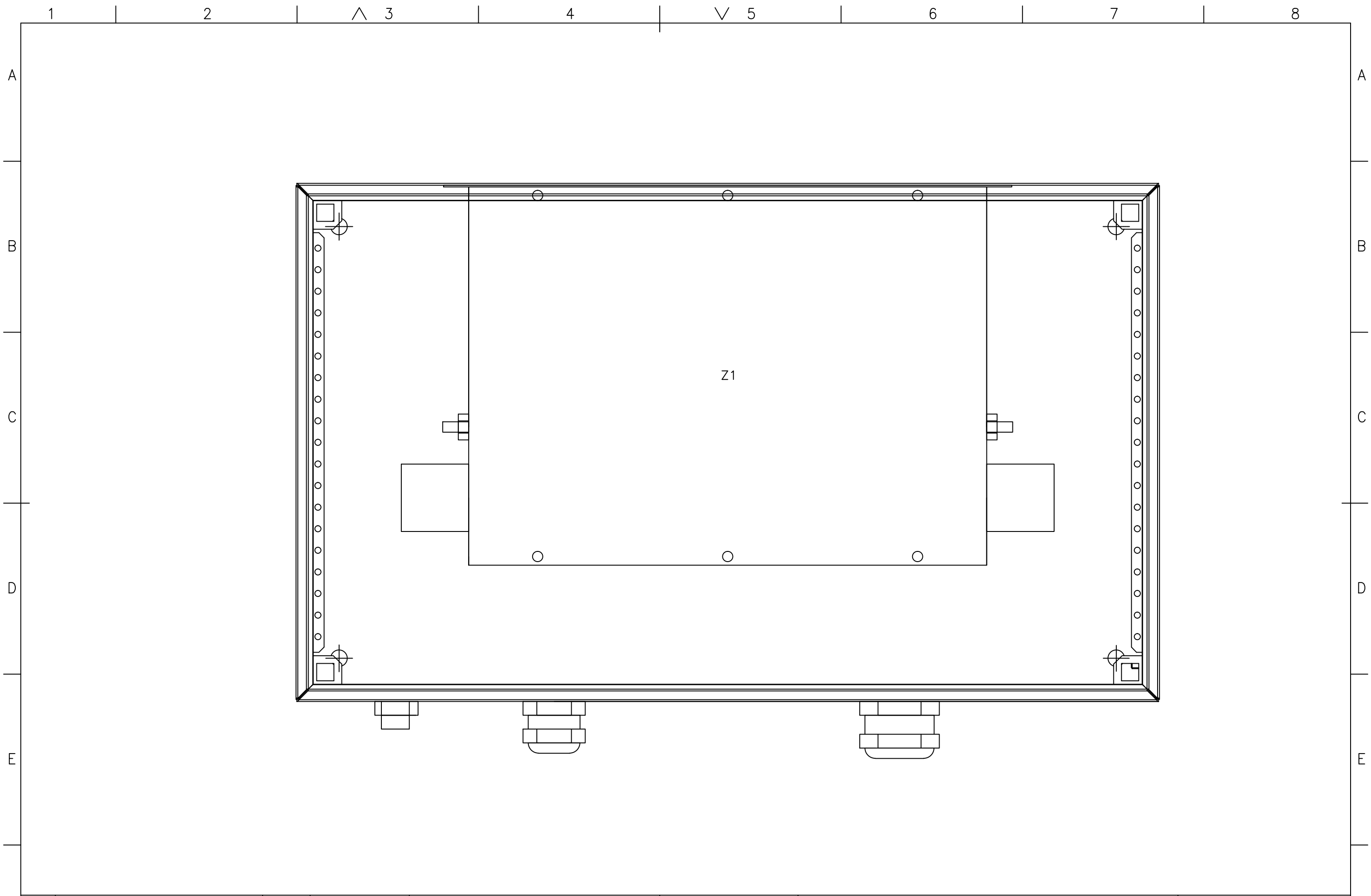
HTC Sweden AB
 Box 69 - 614 22 Söderköping
 T: +46 (0)121-29400
 F: +46 (0)121-15212
 All rights reserved - Copyright

ENGINEER	DJ
DRAWN BY	DJ
CHKD BY	
DATE	090910

HTC SWEDEN AB
 HTC 1500iXT
 FILTER BOX
 LAYOUT



SHEETS TOTAL	5	SHEET	2
DOC NO	550103	Rev.	A



A	NEW DESIGN	ML	120927
REV.	REV. DESC	SIGN.	DATE

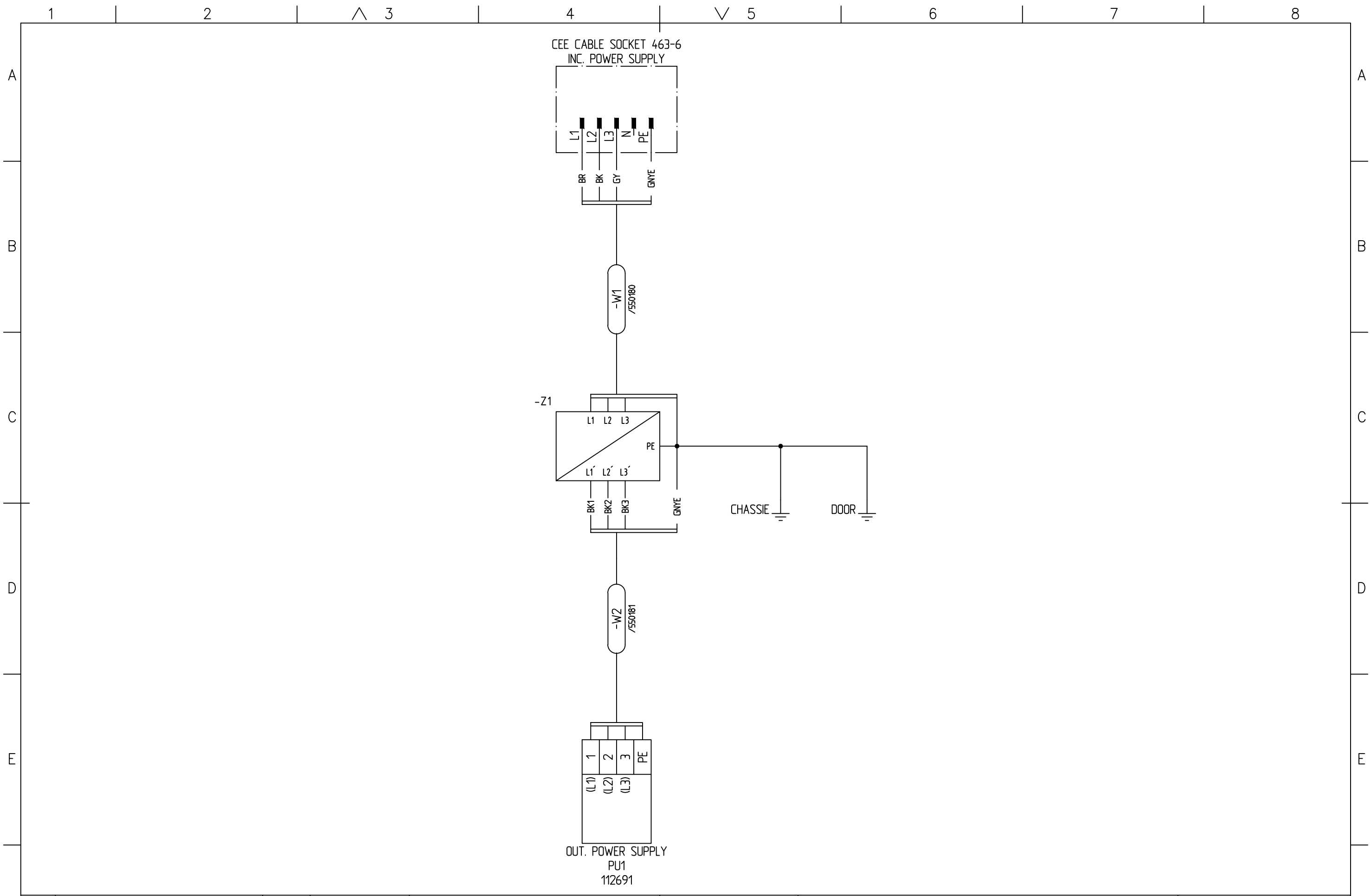


HTC Sweden AB
 Box 69 - 614 22 Söderköping
 T: +46 (0)121-29400
 F: +46 (0)121-15212
 All rights reserved - Copyright

ENGINEER	DJ
DRAWN BY	DJ
CHKD BY	
DATE	090910

HTC SWEDEN AB
 HTC 1500iXT
 FILTER BOX
 LAYOUT

SHEETS TOTAL	5	SHEET	3
DOC NO	550103	Rev.	A



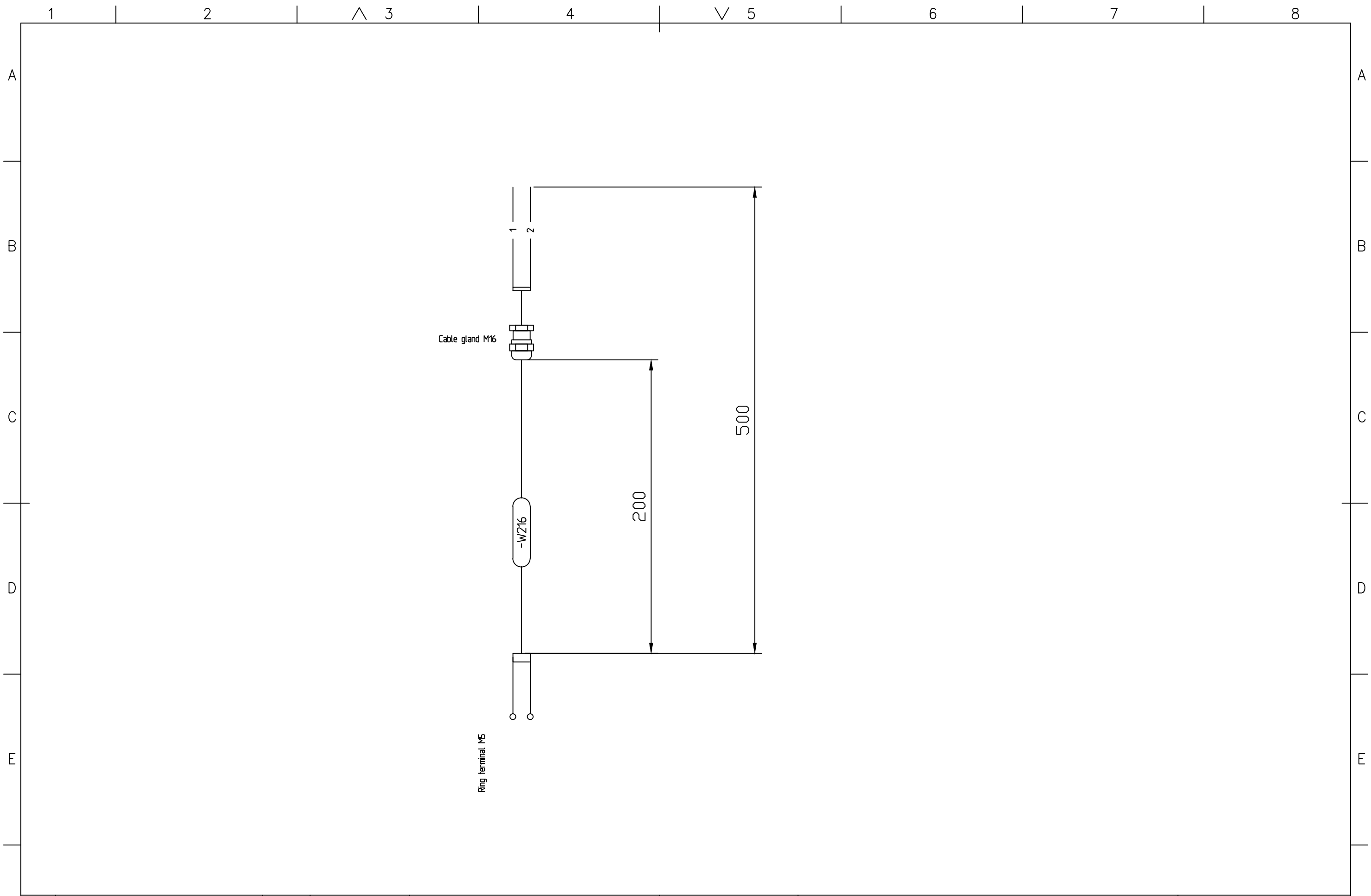
A	NEW DESIGN	ML	120927
REV.	REV. DESC	SIGN.	DATE

HTC Sweden AB
 Box 69 - 614 22 Söderköping
 T: +46 (0)121-29400
 F: +46 (0)121-15212
 All rights reserved - Copyright

ENGINEER DJ
 DRAWN BY DJ
 CHKD BY
 DATE 090910

HTC SWEDEN AB
 HTC 1500iXT
 FILTER BOX
 EXT. CONNECTION DIAGRAM

SHEETS TOTAL	5	SHEET	4
DOC NO	550103	Rev.	A



HTC Sweden AB
 Box 69 - 614 22 Söderköping
 T: +46 (0)121-29400
 F: +46 (0)121-15212
 All rights reserved - Copyright

ENGINEER	ML
DRAWN BY	ML
CHKD BY	
DATE	121010

HTC SWEDEN AB
 HTC 1500iXT
 RELAY COIL CABLE
 -W216

SHEETS TOTAL	2	SHEET	1
DOC NO	550192	Rev.	A

REV.	REV. DESC	SIGN.	DATE
A	Bi-stable relay removed.	JD	2014-02-11

HTC 1500iXT from Machine no 44 (150120504)

HTC1500iXT MCB-BOX VALVES

LIST OF DRAWINGS

FILENAME	DWGDESC	SH
550212-01	LIST OF DRAWINGS	1
550212-02	LAYOUT	2
550212-03	CIRCUIT DIAGRAM	3
550212-04	BOM	4



HTC Sweden AB

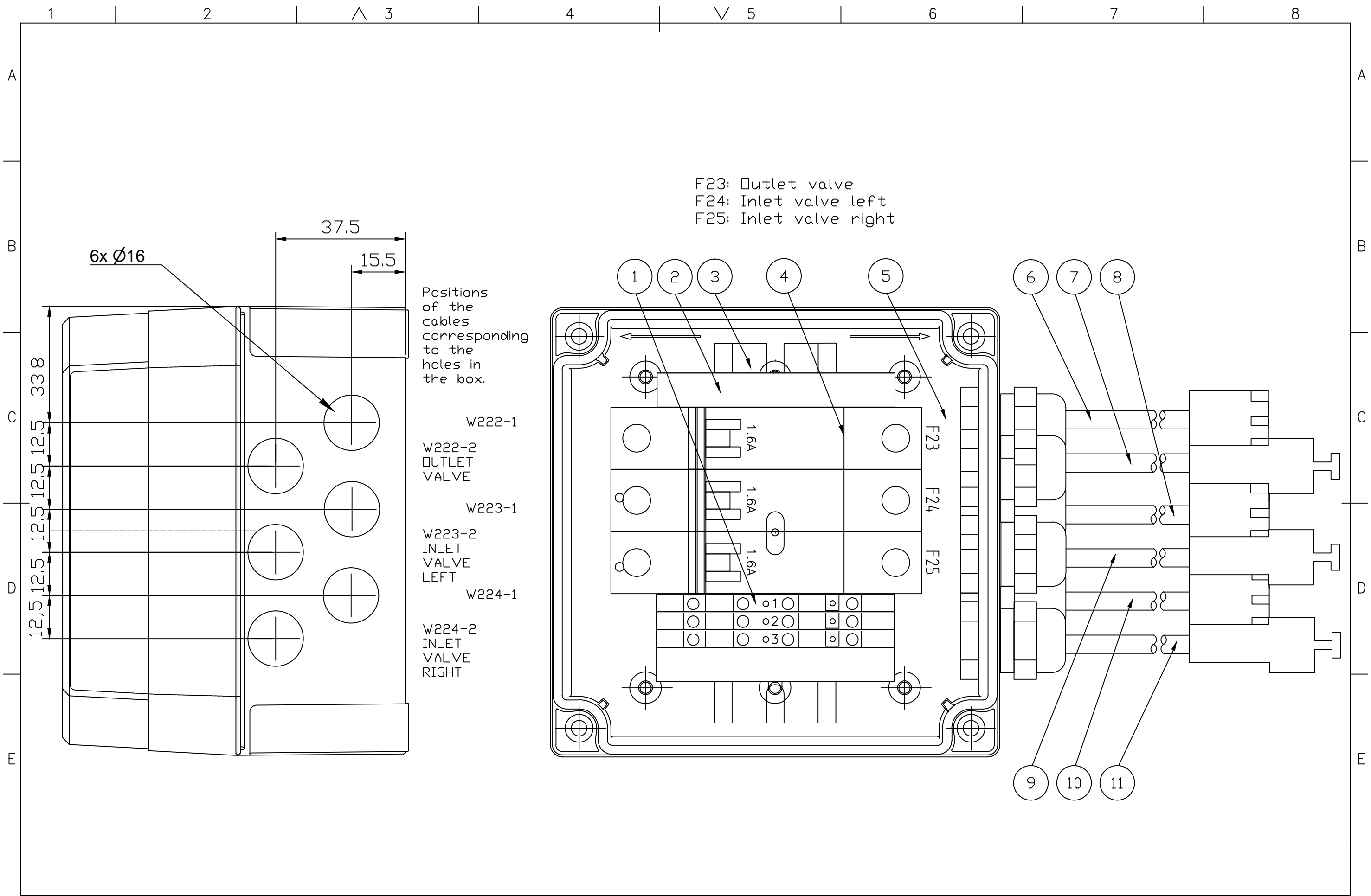
Box 69 - 614 22 Söderköping
 T: +46 (0)121-29400
 F: +46 (0)121-15212
 All rights reserved - Copyright

ENGINEER	JD
DRAWN BY	JD
CHKD BY	VL
DATE	130301

HTC SWEDEN AB
 HTC 1500iXT MCB BOX
 VALVES

SHEETS TOTAL	4	SHEET	1
DOC NO	550212	Rev.	A

REV.	REV. DESC	SIGN.	DATE
A	Cables are separated included	JD	2013-07-01



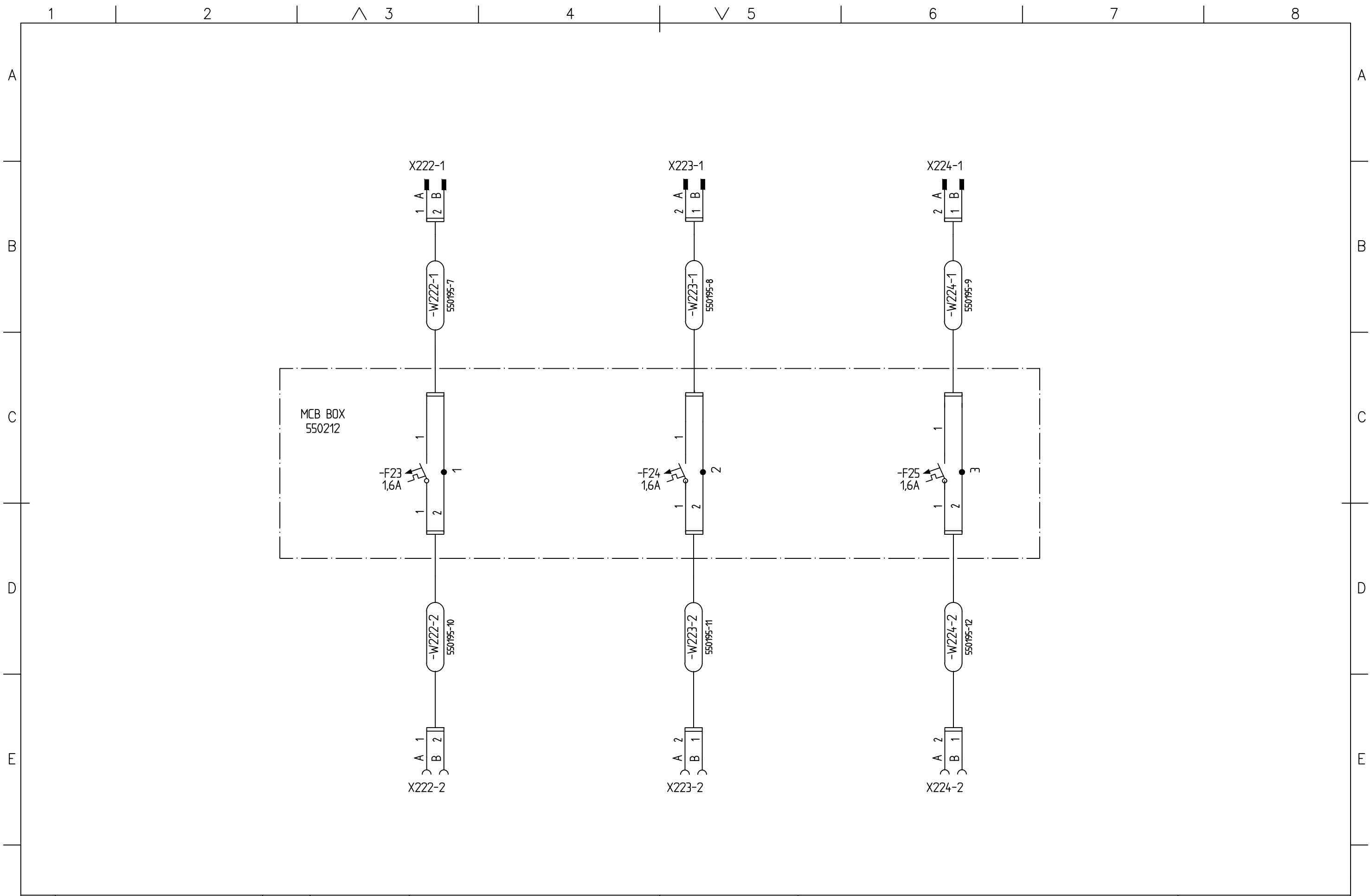
A	Cables are separated included	JD	2013-07-01
REV.	REV. DESC	SIGN.	DATE


HTC Sweden AB
 Box 69 - 614 22 Söderköping
 T: +46 (0)121-29400
 F: +46 (0)121-15212
 All rights reserved - Copyright

ENGINEER	JD
DRAWN BY	JD
CHKD BY	VL
DATE	130301

HTC SWEDEN AB
 HTC 1500iXT MCB BOX
 VALVES

SHEETS TOTAL	4	SHEET	2
DOC NO	550212	Rev.	A



HTC Sweden AB
 Box 69 - 614 22 Söderköping
 T: +46 (0)121-29400
 F: +46 (0)121-15212
 All rights reserved - Copyright

ENGINEER JD
 DRAWN BY JD
 CHKD BY VL
 DATE 130314

HTC SWEDEN AB
 HTC 1500iXT MCB BOX
 VALVES

SHEETS TOTAL	4	SHEET	3
DOC NO	550212	Rev.	A

REV.	REV. DESC	SIGN.	DATE
A	Cables are separated included	JD	2013-07-01

