



INSTALLATION AND OPERATION INSTRUCTIONS

STANDARD SERIES

Unvented Decorative Gas Fireplaces
P/N 903590, REV. P, 04/2010

MODELS

VF4000-CHN-2

VF4000-CHP-2

VF4000-CMN-2

VF4000-CMP-2



We recommend that our gas hearth products be installed and serviced by professionals who are certified in the U.S. by the National Fireplace Institute® (NFI) as NFI Gas Specialists.



INSTALLER: Leave this manual with the appliance.
CONSUMER: Retain this manual for future reference.

WARNING: If the information in this manual is not followed exactly, a fire or explosion may result causing property damage, personal injury or loss of life.

Do not store or use gasoline or other flammable vapors and liquids in the vicinity of this or any other appliance.

WHAT TO DO IF YOU SMELL GAS

- Do not try to light any appliance.
- Do not touch any electrical switch; do not use any phone in your building.
- Immediately call your gas supplier from a neighbor's phone. Follow the gas supplier's instructions.
- If you cannot reach your gas supplier, call the fire department.

Installation and service must be performed by a qualified installer, service agency or the gas supplier.

FOR USE ONLY WITH DECORATIVE TYPE UNVENTED ROOM HEATERS.

DO NOT BUILD A WOOD FIRE.

WARNING: IMPROPER INSTALLATION, ADJUSTMENT, ALTERATION, SERVICE OR MAINTENANCE CAN CAUSE INJURY OR PROPERTY DAMAGE. REFER TO THIS MANUAL. FOR ASSISTANCE OR ADDITIONAL INFORMATION CONSULT A QUALIFIED INSTALLER, SERVICE AGENCY OR THE GAS SUPPLIER.

WARNING: DO NOT BURN WOOD OR OTHER MATERIAL IN THESE APPLIANCES.

CAREFULLY REVIEW THE INSTRUCTIONS SUPPLIED WITH THE DECORATIVE TYPE UNVENTED ROOM HEATER FOR THE MINIMUM FIREPLACE SIZE REQUIREMENT. DO NOT INSTALL THE APPLIANCE IN THIS FIREBOX, UNLESS THIS FIREBOX MEETS THE MINIMUM DIMENSIONS REQUIRED FOR THE INSTALLATIONS.

This is an unvented gas-fired heater. It uses air (oxygen) from the room in which it is installed. Provisions for adequate combustion and ventilation air must be provided. Refer to Combustion and Ventilation Air Section, Page 3.

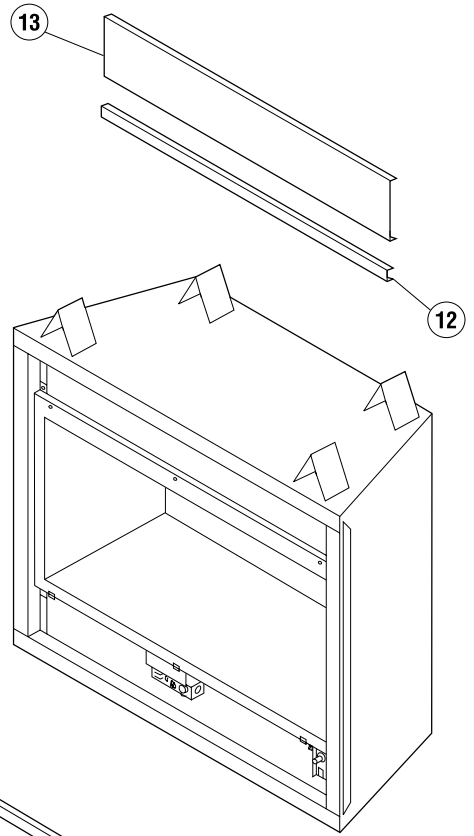
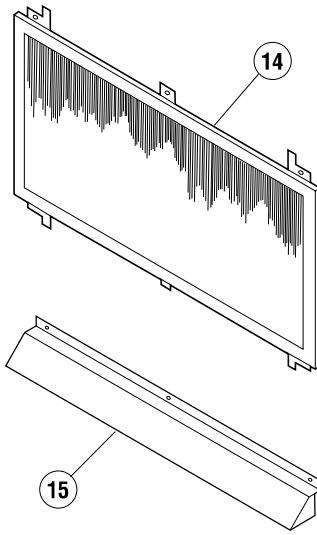
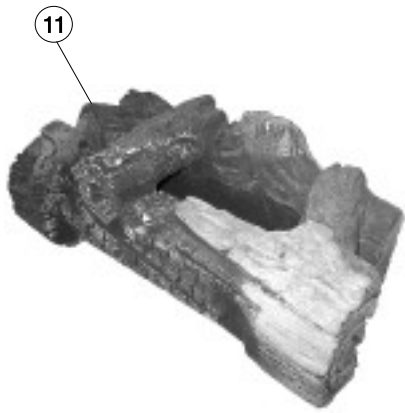
Due to high temperatures, the appliance should be located out of traffic and away from furniture or draperies.

Do not place clothing or other materials on or near this appliance.

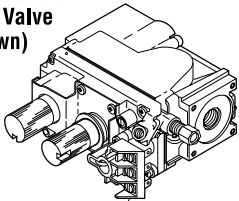
IMPORTANT: READ AND UNDERSTAND THESE INSTRUCTIONS COMPLETELY BEFORE INSTALLING YOUR UNVENTED ROOM HEATERS.

REPLACEMENT PARTS LIST					
Item No.	Description	VF4000-CHN (Manual) VF4000-CHP (Manual)		VF4000-CMN (Millivolt) VF4000-CMP (Millivolt)	
		Part No.	Qty.	Part No.	Qty.
1.	Valve (Natural)	H4111	1	–	–
	Valve (Propane)	H4111	1	–	–
	SIT Valve (Natural)	–	–	H4173	1
	Honeywell Valve (Natural)	–	–	24M13	1
	SIT Valve (Propane)	–	–	H4278	1
	Honeywell Valve (Propane)	–	–	67L02	1
2.	Injector, Burner (Natural)	H4115	2	H4115	2
	Injector, Burner (Propane, LPG)	H4116	2	H4116	2
3.	Pilot (Natural)	H4114	1	H4113	1
	Pilot (Propane, LPG)	H4112	1	H4170	1
4.	Regulator (Natural)	H4869	1	903218	1
	Regulator (Propane, LPG)	H4870	1	112081	1
5.	Front Burner	H4170	1	H4170	1
6.	Rear Burner (Natural)	H6430	1	H6430	1
	Rear Burner (Propane, LPG)	H6430	1	H6430	1
7.	Crossover Burner	H4110	1	H4110	1
8.	Injector, Crossover Burner (Natural)	H4118	1	H4118	1
	Injector, Crossover Burner (Propane, LPG)	H4119	1	H4119	1
9.	Piezo	10K86	1	10K86	1
10.	Piezo Wire	H4868	1	H4868	1
11.	Log Set	H2335	1	H2335	1
12.	Bar, Louver-Black	H4317	2	H4317	2
13.	Panel, Radiant	H4315	2	H4315	2
14.	Replacement Screen	H4178	1	H4178	1
15.	Hood	H4141	1	H4141	1

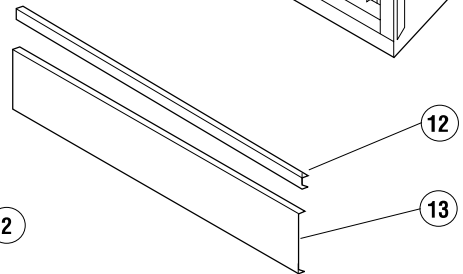
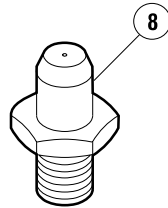
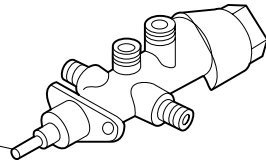
REPLACEMENT PARTS



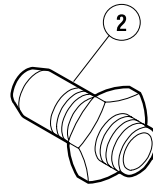
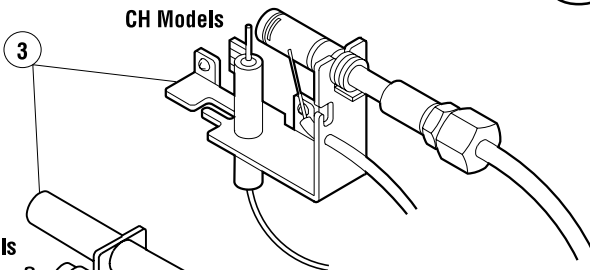
**CM Models
(SIT Valve
Shown)**



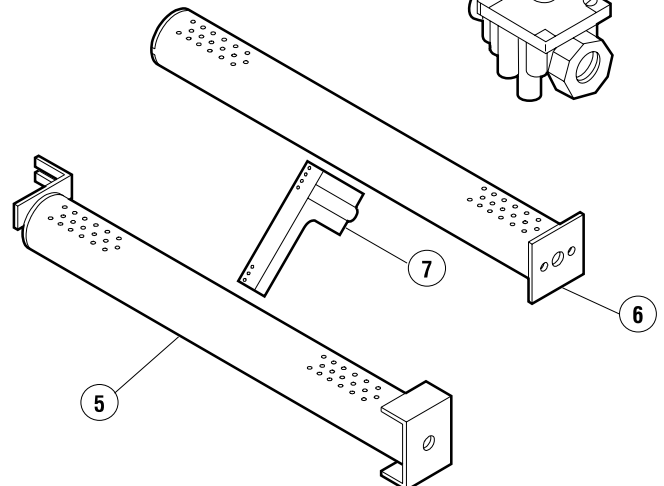
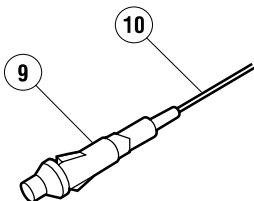
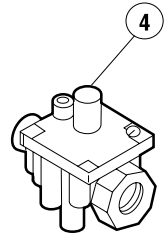
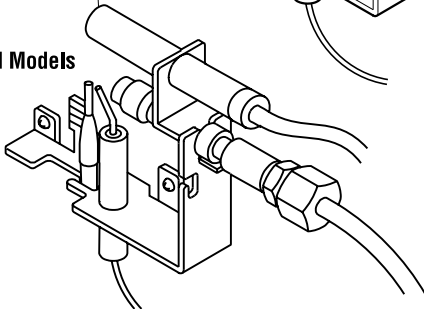
CH Models



CH Models



CM Models



NOTE: DIAGRAMS & ILLUSTRATION NOT TO SCALE.