

Illustrated Parts Breakdown

M200
String Mower

Model #: M200

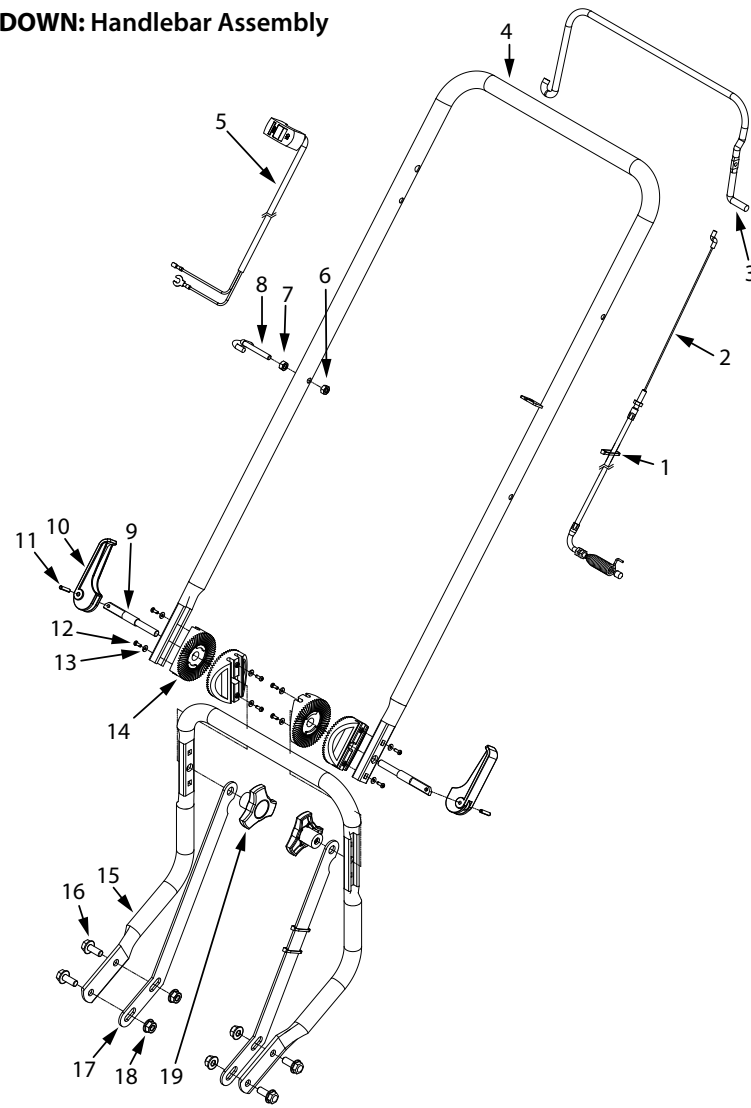
ENGLISH

FRENCH

S/N



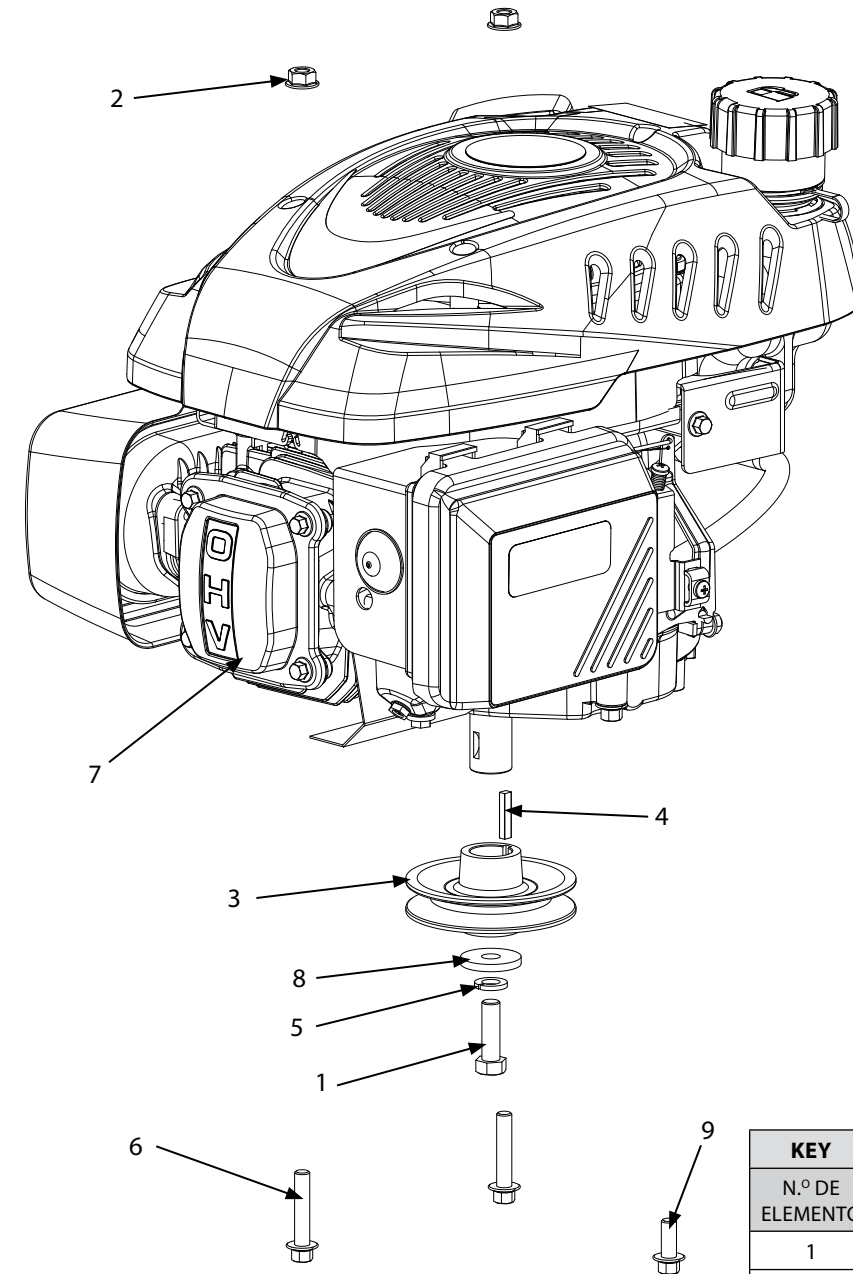
ILLUSTRATED PARTS BREAKDOWN: Handlebar Assembly



KEY	PART #	DESCRIPTION	QTY.
N.º DE ELEMENTO	N.º DE PIEZA	DESCRIPCIÓN	CANT.
1	106	ZIP TIE 5.75 INCH	3
2	17527	CLUTCH CABLE STRING MOWER	1
3	17528	CONTROL LEVER	1
4	17526	UPPER HANDLEBAR	1
5	17471	ON/OFF SWITCH STRING MOWER	1
6	W1265V0913	NUT M6	1
7	19939	NUT M6	1
8	19902	ROPE GUIDE M6 X 1.0 OPEN EYE	1

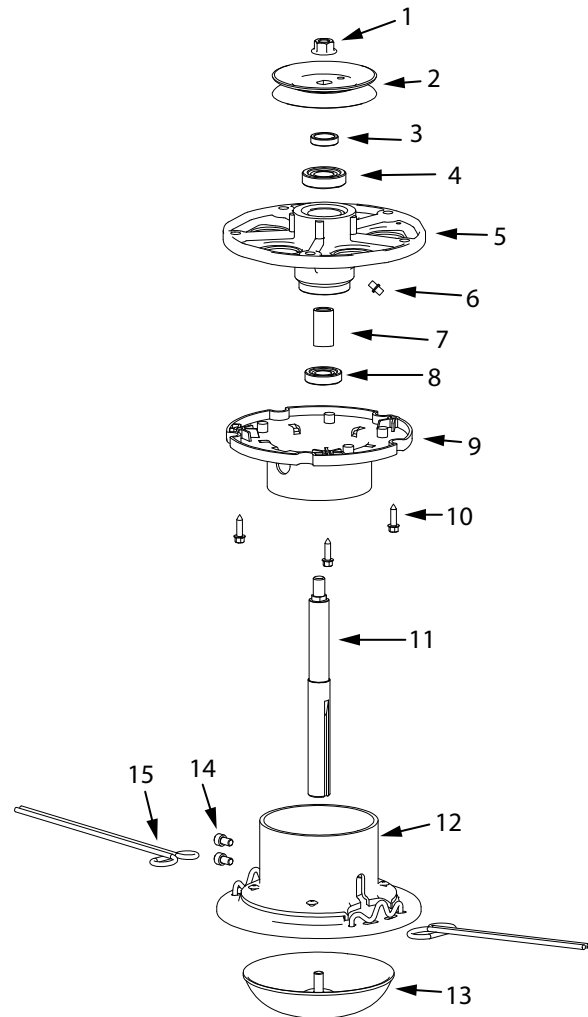
KEY	PART #	DESCRIPTION	QTY.
N.º DE ELEMENTO	N.º DE PIEZA	DESCRIPCIÓN	CANT.
9	16311	HANDLE ADJUST BOLT M8	2
10	19972	CAM LEVER	2
11	19973	RIVET M4 X 20	2
12	16397	SCREW M3 X 10	8
13	16360	WASHER M3	8
14	19912	HANDLE PIVOT	4
15	19941	LOWER HANDLEBAR	1
16	19945	BOLT M8 X 20	4
17	18893	HANDLEBAR BRACE	2
18	64132	NUT M8	4
19	13601	KNOB M8 THREE STAR	2

ILLUSTRATED PARTS BREAKDOWN: Engine and Pulley Assembly



KEY	PART #	DESCRIPTION	QTY.
N.º DE ELEMENTO	N.º DE PIEZA	DESCRIPCIÓN	CANT.
1	1426	BOLT 3/8-16 X 1-1/4	1
2	16400	NUT M8	3
3	29610	ENGINE PULLEY	1
4	16602	KEY 4M X 5M	1
5	1916965	WASHER 3/8 IN	1
6	19922	BOLT M8 X 40	2
7	186000	ENGINE 173CC RV170	1
8	331040	WASHER M10	1
9	19945	BOLT M8 X 20	1

ILLUSTRATED PARTS BREAKDOWN: Mower Head - Standard Version



KEY	PART #	DESCRIPTION	QTY.
N.º DE ELEMENTO	N.º DE PIEZA	DESCRIPCIÓN	CANT.
1	16903	NUT M10	1
2	16595	PULLEY	1
3	19925	SPACER M17.5 X 23.5 X 6	1
4	19966	BEARING 17 X 40 X 12 MM	1
5	16317	JACKSHAFT HOUSING	1
6	16598	GREASE FITTING M6 X 1.0	1
7	19960	JACKSHAFT SPACER	1
8	19959	BEARING 17 X 35 X 10 MM	1
9	16337	WEED WRAP GUARD	1
10	16779	BOLT M5 X 20	3
11	19928	JACKSHAFT	1
12	19924	CUTTER HEAD	1
13	19923	BUMP HEAD	1
14	19919	BOLT M6 X 10	2
15	21884	LINE 0.155 INCH	1

ILLUSTRATED PARTS BREAKDOWN: Base Unit

