



HEARTH PRODUCTS

P/N 506025-01 Rev. D 10/2012

This manual is part of a set of two supporting this product. Refer to P/N 506023-08 for Installation Instructions.

Ce manuel est disponible en français, simplement en faire la demande. Numéro de la pièce 506025-01F.

CARE AND OPERATION INSTRUCTIONS

Direct-Vent
Symmetry™ Series



MODELS

SYM-35N	SYM-40N	SYM-45N
SYM-35P	SYM-40P	SYM-45P

WHAT'S INSIDE

Table of Contents	2
Safety and Your Fireplace	2
FREE Safety Guard Offer (Protects Against Burns)	2
Important Safety Information	4
Attaching the Safety-in-Operation Warnings	5
[EN FRANÇAIS] L'information de sûreté importante	3-4
Apposition des mises en garde relatives à la sécurité d'utilisation	5
[EN ESPAÑOL] Información importante de seguridad	3-4
Colocación de advertencias de seguridad en operación	5



OTL Report No. 116-F-51-5



INSTALLER: Leave this manual with the appliance.
CONSUMER: Retain this manual for future reference.
INSTALLATEUR : Laissez cette notice avec l'appareil.
CONSOMMATEUR : Conservez cette notice pour consultation ultérieure.



! WARNING / AVERTISSEMENT / AVISO

- HOT GLASS WILL CAUSE BURNS.
- DO NOT TOUCH GLASS UNTIL COOLED.
- NEVER ALLOW CHILDREN TO TOUCH GLASS.



- UNE SURFACE VITRÉE CHAUDE PEUT CAUSER DES BRÛLURES.
- LAISSER REFROIDIR LA SURFACE VITRÉE AVANT D'Y TOUCHER.
- NE PERMETTEZ JAMAIS À UN ENFANT DE TOUCHER LA SURFACE VITRÉE.

- EL VIDRIO CALIENTE CAUSARÁ QUEMADURAS.
- USTED DEBE NUNCA TOCAR EL VIDRIO CALIENTE.
- LOS NIÑOS DEBEN NUNCA TOCAR EL VIDRIO.

WARNING: If the information in these instructions is not followed exactly, a fire or explosion may result, causing property damage, personal injury, or death.

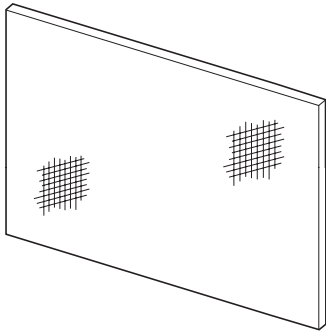
- Do not store or use gasoline or other flammable vapors and liquids in the vicinity of this or any other appliance.
- **WHAT TO DO IF YOU SMELL GAS:**
 - Do not try to light any appliance.
 - Do not touch any electrical switch; do not use any phone in your building.
 - Immediately call your gas supplier from a neighbor's phone. Follow the gas supplier's instructions.
 - If you cannot reach your gas supplier, call the fire department.
- Installation and service must be performed by a qualified installer, service agency or the gas supplier.

AVERTISSEMENT : Assurez-vous de bien suivre les instructions données dans cette notice pour réduire au minimum le risque d'incendie ou d'explosion ou pour éviter tout dommage matériel, toute blessure ou la mort.

- Ne pas entreposer ni utiliser d'essence ni d'autres vapeurs ou liquides inflammables dans le voisinage de cet appareil ou de tout autre appareil.
- **QUE FAIRE SI VOUS SENTEZ UNE ODEUR DE GAZ :**
 - Ne pas tenter d'allumer d'appareil.
 - Ne touchez à aucun interrupteur. Ne pas vous servir des téléphones se trouvant dans le bâtiment où vous trouvez.
 - Appelez immédiatement votre fournisseur de gaz depuis un voisin. Suivez les instructions du fournisseur.
 - Si vous ne pouvez rejoindre le fournisseur de gaz, appelez le service des incendies.
- L'installation et l'entretien doivent être assurés par un installateur ou un service d'entretien qualifié ou par le fournisseur de gaz.

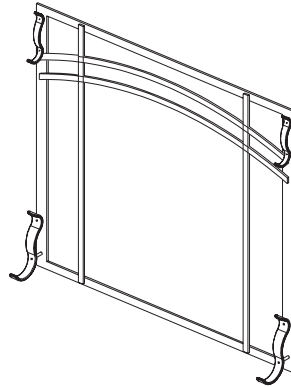
ACCESSORY COMPONENTS

Product Reference Information			
Cat. No.	Model	Ship. Weight	Ship. Volume
H6951	SYM-35N	165 lb.	26.1 cu. ft.
H6952	SYM-35P	165 lb.	26.1 cu. ft.
H6954	SYM-40N	188 lb.	29.6 cu. ft.
H6955	SYM-40P	188 lb.	29.6 cu. ft.
H6957	SYM-45N	212 lb.	33.03 cu. ft.
H6958	SYM-45P	212 lb.	33.03 cu. ft.



Screen Panel Kits	
Model No.	Catalog No. Model No.
SYM-35	H3988 35LSPK
SYM-40	H3989 40LSPK
SYM-45	H3990 45LSPK

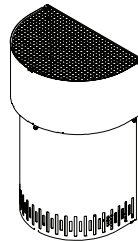
These screen panels can be installed on the glass enclosure panel to provide protection from the hot glass surface. The screen panel kits cannot be used in conjunction with either of the arch door kits or door frame kits.



Dual Arch Screen Kits	
Model No.	Catalog No. Model No.
SYM-35	H4688 DASK-DV35
SYM-40	H4689 DASK-DV40
SYM-45	H4690 DASK-DV45

These screen kits can be installed on the glass enclosure panel to provide protection from the hot glass surface.

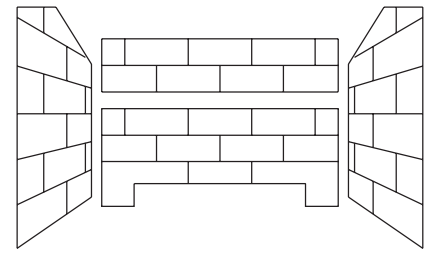
Termination Shroud
(Fits H1968)



Termination Guard Kits

The vent termination shroud may be used to cover the vent termination on the exterior of the home to minimize exposure to the hot surface of the termination.

Termination Guard Kits (all models)		
Cat. No.	Model No.	Description
H5820	4.5HTSK	Termination Shroud



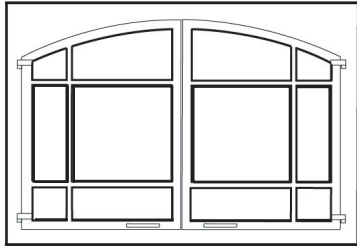
Brick Liner Kits		
Model No.	Catalog No. Model No.	Description
SYM-35	H7337 BLKR-ELDV35	Rustic
SYM-35	H7338 BLKC-ELDV35	Old Cottage
SYM-35	H7339 BLKBR-ELDV35	Boston Red
SYM-35	H7340 BLKH-ELDV35	Herringbone
SYM-35	H7341 BLKB-SYM35	Black Rustic
SYM-35	H6948 BLKAS-SYM35	Architect Stone
SYM-35	H7352 BLKV-SYM35	Venetian Tile
SYM-40	H7342 BLKR-ELDV40	Rustic
SYM-40	H7343 BLKC-ELDV40	Old Cottage
SYM-40	H7344 BLKBR-ELDV40	Boston Red
SYM-40	H7345 BLKH-ELDV40	Herringbone
SYM-40	H7346 BLKB-SYM40	Black Rustic
SYM-40	H6949 BLKAS-SYM40	Architect Stone
SYM-40	H7353 BLKV-SYM40	Venetian Tile
SYM-45	H7347 BLKR-ELDV45	Rustic
SYM-45	H7348 BLKC-ELDV45	Old Cottage
SYM-45	H7349 BLKBR-ELDV45	Boston Red
SYM-45	H7350 BLKH-ELDV45	Herringbone
SYM-45	H7351 BLKB-SYM45	Black Rustic
SYM-45	H6950 BLKAS-SYM45	Architect Stone
SYM-45	H7354 BLKV-SYM45	Venetian Tile

Your appliance was initially selected with an interior liner. You may want to change the appearance of your fireplace by selecting from one of these options. The brick panel liner kits include ceramic panels of the side walls, the rear and the baffle of the firebox. The panels have brick-like features in relief.

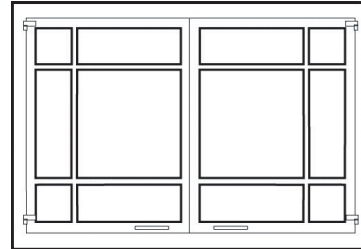
ACCESSORY COMPONENTS CONTINUED

Style View Doors -

Style View Doors come in 2 beautiful styles. They are easy to install and will not require hardware to attach them to the standard glass door frame. The door includes heavy duty magnet door latches and functional twin-pane doors.



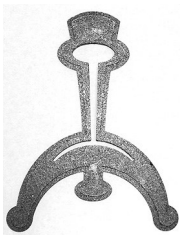
Arch Pane Design



Square Pane Design

ARCH PANE DESIGN KITS			
Cat. No.	Model	Description	Model Series
H3973	APDL40C	40" Arch Doors, Black	SYM-40
H3974	APDL40SP	40" Arch Doors, Satin Pewter	
H3975	APDL40AB	40" Arch Doors, Antique Brass	
H3976	APDL45C	45" Arch Doors, Black	SYM-45
H3977	APDL45SP	45" Arch Doors, Satin Pewter	
H3978	APDL45AB	45" Arch Doors, Antique Brass	
H3970	APDL35C	35" Arch Doors, Black	SYM-35
H3971	APDL35SP	35" Arch Doors, Satin Pewter	
H3972	APDL35AB	35" Arch Doors, Antique Brass	

SQUARE PANE DESIGN KITS			
Cat. No.	Model	Description	Model Series
H3982	SPDL40C	40" Sq. Doors, Black	SYM-40
H3983	SPDL40SP	40" Sq. Doors, Satin Pewter	
H3984	SPDL40AB	40" Sq. Doors, Antique Brass	
H3985	SPDL45C	45" Sq. Doors, Black	SYM-45
H3986	SPDL45SP	45" Sq. Doors, Satin Pewter	
H3987	SPDL45AB	45" Sq. Doors, Antique Brass	
H3979	SPDL35C	35" Sq. Doors, Black	SYM-35
H3980	SPDL35SP	35" Sq. Doors, Satin Pewter	
H3981	SPDL35AB	35" Sq. Doors, Antique Brass	



Traditional



Corinth

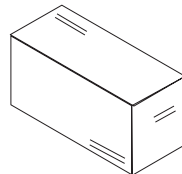
Andiron Kits
Traditional
Corinth

H7410
H7411

AKT-DV
AKC-DV

Andiron Kit

Your appliance was initially selected with an Andiron Kit. You may want to change the appearance of your fireplace by selecting either the Traditional or Corinth Andiron Kit.



Pine Cones and
Wood Bits

91L05

FPCK

Twelve Piece Ember Kit

A twelve piece ember kit (model FPCK) has been developed to provide a means of enhancing the already impressive log presentation of this fireplace. This kit contains three (3) ceramic fiber pine cones and nine (9) ceramic fiber debris wood bits. All twelve elements will not be consumed in the flames and may be placed within the presentation area (without impinging any of the lofting flames) to add realism and enhance the rustic look and appeal of the fire.



Bag of Glowing Embers

88L53

FGE

Bag of Glowing Embers

Replacement ember materials are available for use with these appliances. Order a bag of Glowing Embers, Model FGE to replace ember materials as part of the periodic maintenance of the appliance.



Touch-Up Paint (Black) Kit

70K99

FTPK-B

Touch-Up Paint Kit

Repair of minor scratches and discoloration of the appliance charcoal painted surfaces may be accomplished with the touch-up paint kit.

REPLACEMENT PARTS LIST

No.	DESCRIPTION	SYM-35		SYM-40		SYM-45	
		Part No.	Qty.	Part No.	Qty.	Part No.	Qty.
	Gas Fireplace Assembly	–	–	–	–	–	–
1.	Enclosure, Door Assembly	H7398	1	H7399	1	H7400	1
2.	Log Set	H7865	1	H7866	1	H7867	1
3.	Burner Assembly	H7279	1	H7388	1	H7388	1
4.	Modesty Panel	H7401	1	H7402	1	H7403	1
5.	Latch	H1264	2	H1264	2	H1264	2
6.	Sub-Floor Assembly	H7844	1	H7845	1	H7846	1
7.	Flex Gas Line	93L32	1	93L32	1	93L32	1
8.	Orifice Connector	H7847	1	H7847	1	H7847	1
9.	Orifice - Natural Gas	21L80	1	37L82	1	39L09	1
9.	Orifice - Propane Gas	21L01	1	74L88	1	H7875	1
10.	On/Off Control Switch	27K30	1	27K30	1	27K30	1
11.	Plate Relief Assembly	H6201	2	H6202	2	H6202	2
12.	Bracket, Relief	H4680	2	H4680	2	H4680	2
13.	Volcanic Stone	80L42	1	80L42	1	80L42	2
14.	Vermiculite	H6319	1	H6319	1	H6319	1
15.	Gas Supply Access Plate	H4827	2	H4827	2	H4827	2
16.	Gasket, Access Plate, Gas	H4828	2	H4828	2	H4828	2
17.	Eyebrow	H5073	1	H5074	1	H5075	1
18.	Blower Assembly	H7880	1	H7880	1	H7880	1
19.	Wire Shield	H7919	1	H7919	1	H7919	1

GAS CONTROLS — SIT ELECTRONIC

No.	DESCRIPTION	Natural		Propane	
		Part No.	Qty.	Part No.	Qty.
40.	Gas Valve	H7270	1	H7271	1
41.	Pilot Assembly	H7268	1	H7269	1
42.	DFC Ignition Board	H7272	1	H7272	1
43.	DFC Wire Harness	H7273	1	H7273	1
44.	Receiver Kit	H7277	1	H7277	1
45.	Receiver Cable Harness	H7276	1	H7276	1
46.	Fan Control Module	H7274	1	H7274	1
47.	Transmitter Kit	H7275	1	H7275	1
48.	Ground Wire	H7278	1	H7278	1
49.	Spark Electrode (without cable)	H7856	1	H7856	1
50.	Sense Electrode (without cable)	H7858	1	H7858	1
51.	Cable, Pilot Spark Electrode	H7857	1	H7857	1
52.	Cable, Pilot Sense Electrode	H7859	1	H7859	1

Contact an Authorized Lennox Hearth Products dealer to obtain any of these parts. Never use substitute materials. Use of non-approved parts can result in poor performance and safety hazards.

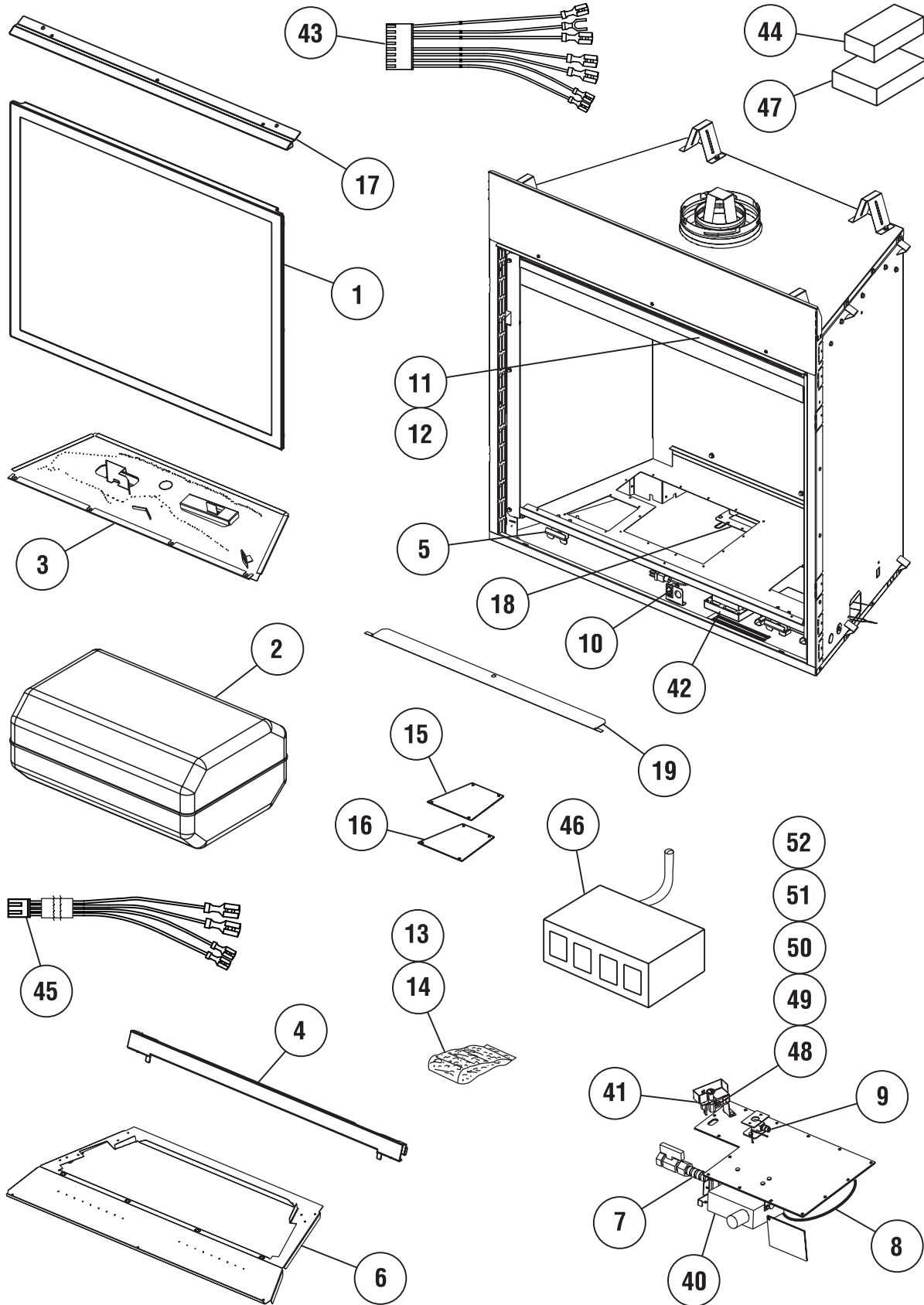
WARNING

Failure to position the parts in accordance with these diagrams or failure to use only parts specifically approved with this appliance may result in property damage or personal injury.

AVERTISSEMENT

Risque de dommages ou de blessures si les pièces ne sont pas installées conformément à ces schémas et ou si des pièces autres que celles spécifiquement approuvées avec cet appareil sont utilisées.

REPLACEMENT PARTS



NOTE: DIAGRAMS & ILLUSTRATIONS ARE NOT TO SCALE.