



Illustrated Parts Breakdown  
Illustration des pièces détachées

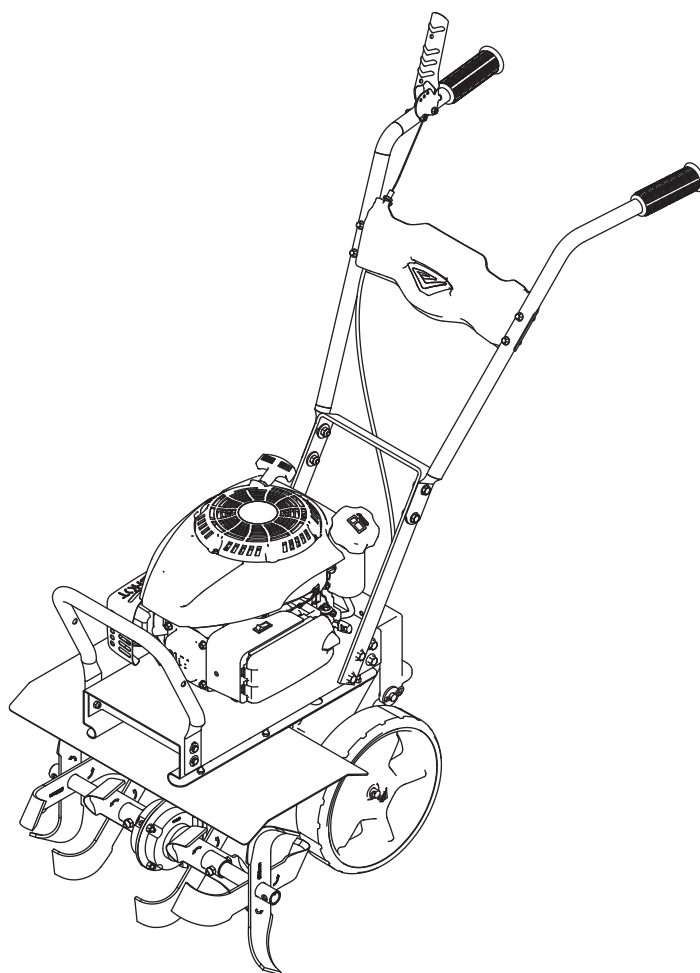
**Badger™**  
Front Tine Tiller

Model Number, Numéros de modèle :  
**31043**

ENGLISH

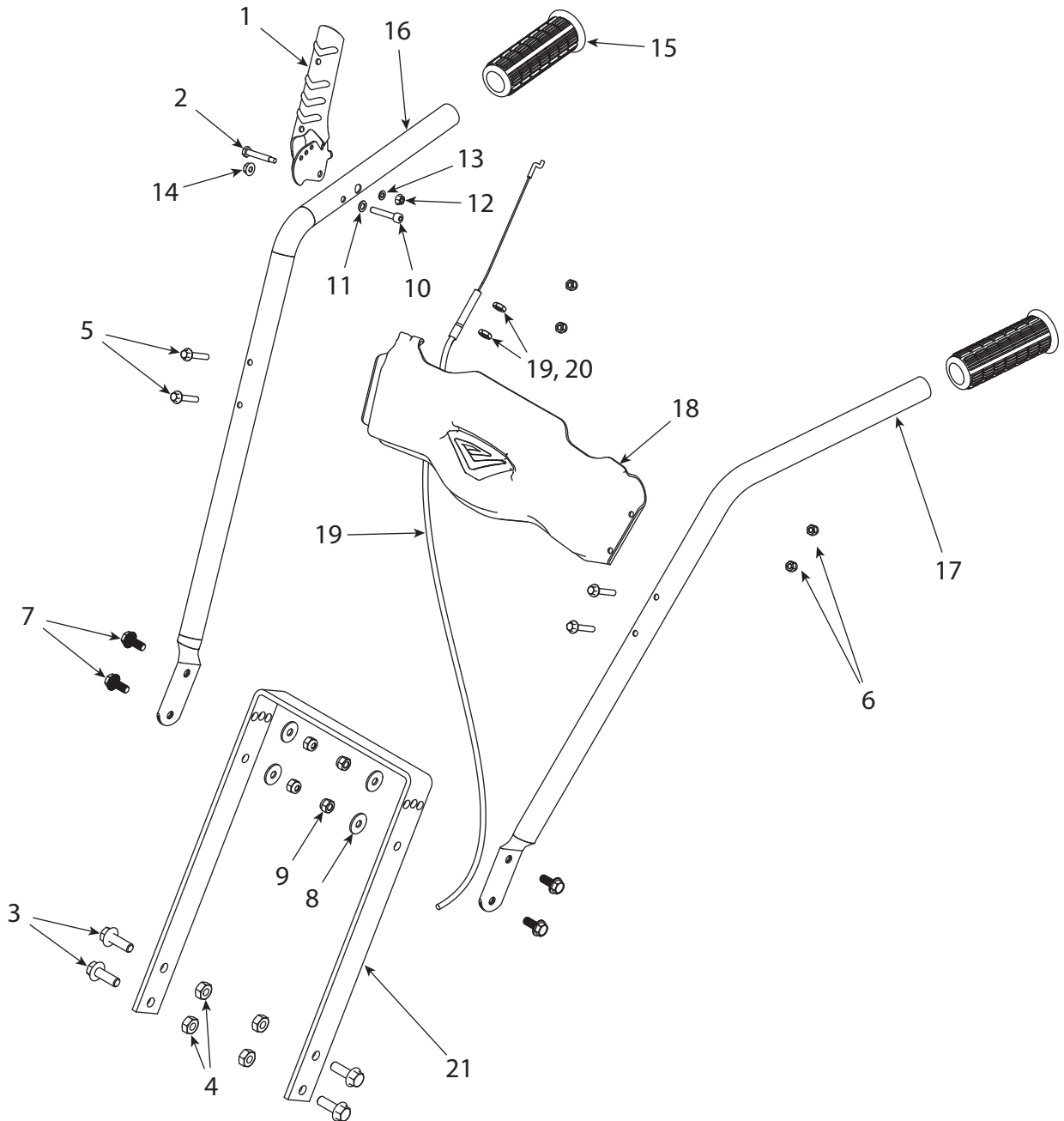
FRANÇAIS

S/N



© 2020 Ardisam  
All Rights Reserved  
Tous droits réservés  
P/N: 35764  
ECN: 12675  
REV 1: 10/23/2019

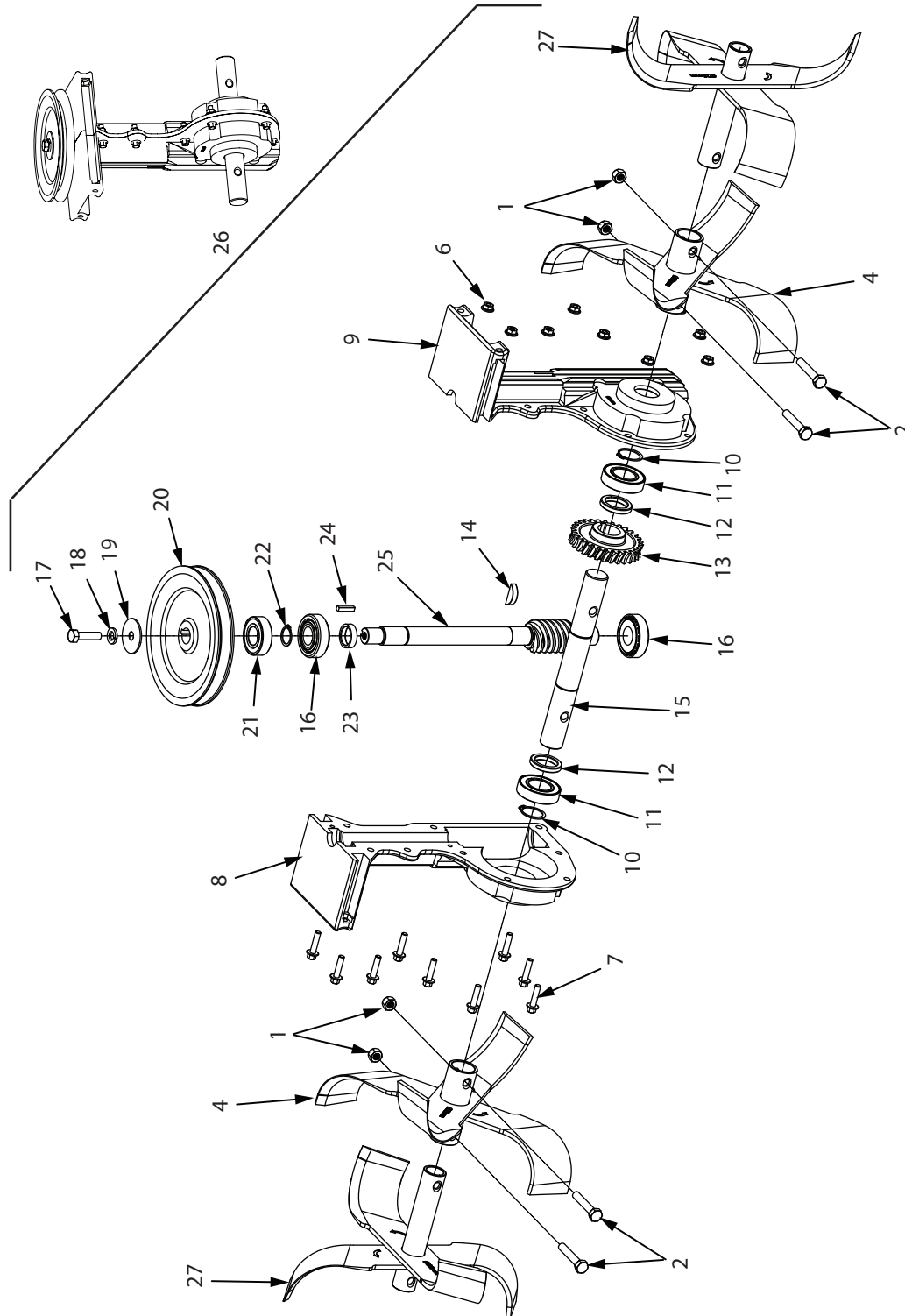
ILLUSTRATED PARTS BREAKDOWN / ILLUSTRATION DES PIÈCES DÉTACHÉES - Handlebar Assembly



**ILLUSTRATED PARTS BREAKDOWN / ILLUSTRATION DES PIÈCES DÉTACHÉES - Handlebar Assembly**

REF. / REP.	PART NO. / N° RÉF.	DESCRIPTION	QTY. / QTÉ
1	14902	CLUTCH LEVER	1
2	13159	BOLT M5X0.75X7 HEX HEAD SHOULDER	1
3	20819	BOLT M10X1.5X30 MM HEX HEAD FLANGE	4
4	32683	NUT M10X1.5 MM	4
5	28473	BOLT M6X1.0X35 MM HEX HEAD FLANGE	4
6	W1265V0913	NUT M6X1.0 MM NYLOCK	4
7	13906	BOLT M8X1.25X20 MM HEX HEAD SERRATED FLANGE	4
8	3245	WASHER FLAT M8X24 MM	4
9	400023	NUT M8X1.25 MM NYLOCK	4
10	20347	BOLT M6X1.0X35 MM SOCKET HEX CAP SCREW	1
11	W1200117	WASHER FLAT M6X12 MM	1
12	3248	NUT M5X0.8 MM HEX FLANGE	1
13	3308	WASHER FLAT M5X10 MM	1
14	13599	NUT M6X1.0 MM HEX FLANGE	1
15	13833	HANDLE GRIP	2
16	28189	RIGHT HANDLEBAR	1
17	28187	LEFT HANDLEBAR	1
18	28216	EARTHQUAKE RED DASH PANEL	1
19	34701	BADGER CABLE ASSEMBLY	1
20	4620	NUT M8X1.25 JAM	2
21	16982	BLACK HANDLEBAR MOUNT	1

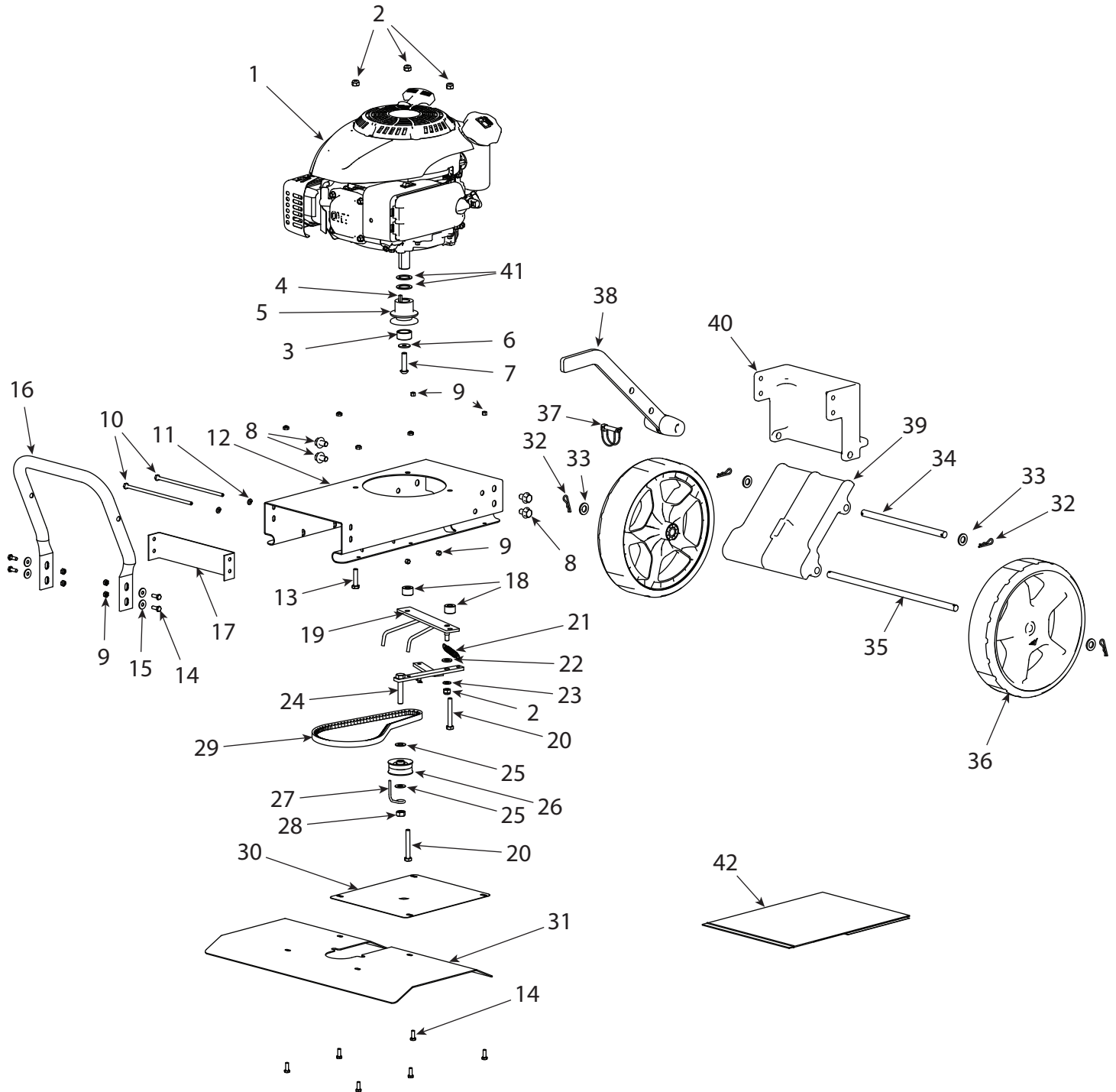
**ILLUSTRATED PARTS BREAKDOWN / ILLUSTRATION DES PIÈCES DÉTACHÉES - Tines & Transmission Assembly**



**ILLUSTRATED PARTS BREAKDOWN / ILLUSTRATION DES PIÈCES DÉTACHÉES - Tines & Transmission Assembly**

REF. / REP.	PART NO. / N° RÉF.	DESCRIPTION	QTY. / QTÉ
1	400023	NUT M8 NYLOCK	4
2	3316	BOLT M8 X 1.25 X 45 HEX HEAD	4
3	13905	TINE OUTER RIGHT	1
4	13903	TINE INSIDE	2
5	13904	TINE OUTSIDE LEFT	1
6	13599	NUT M6 X 1.0 NYLOCK	9
7	13600	BOLT M6 X 1.0 X 25 HEX HEAD	9
8	--	ORDER PART NUMBER 13586 TRANSMISSION	1
9	--	ORDER PART NUMBER 13586 TRANSMISSION	1
10	1810	SNAP RING 1 INCH	2
11	13902	BEARING, BALL 25MM ID 6005RS	2
12	14421	SPACER 25MM X 35MM X 5.43MM THICK	2
13	13615	GEAR, BRONZE 25MM ID 6MM KEY 30 TEETH FT	1
14	17990	KEY 6X10 X25MM HALFMOON	1
15	13612	TINE SHAFT 25MM OD 6MM KEY	1
16	3220	BEARING 20X47X15.2 TAPERED ROLLING 30204	2
17	17991	BOLT M8 X 1.25 X 30 HEX HEAD	1
18	1916965	WASHER SPRING LOCK 3/8"	1
19	803	WASHER 5/16 ID X 1-1/2" OD FLAT 16 GA	1
20	13619	PULLEY, TRANSMISSION, SINGLE GROOVE	1
21	3309	BEARING 20MM ID X 42MM OD 6004 2RS	1
22	8924	RETAINING RING 3/4" EXTERNAL	1
23	13590	SPACER, ROUND STEEL 26 X 20.22 X 6.8MM	1
24	17989	KEY 5MM X 5MM X 20MM	1
25	13610	DRIVESHAFT WORM 20MM OD	1
26	13586	TRANSMISSION 7.5:1 WORM BRASS 25MM SHAFT	1
27	21825	BOX, OUTER TINES, WHEEL SHAFT, DRAG STAKE	1

**ILLUSTRATED PARTS BREAKDOWN / ILLUSTRATION DES PIÈCES DÉTACHÉES - Engine & Chassis Parts**



**ILLUSTRATED PARTS BREAKDOWN / ILLUSTRATION DES PIÈCES DÉTACHÉES - Engine & Chassis Parts**

REF. / REP.	PART NO. / N° RÉF.	DESCRIPTION	QTY. / QTÉ
1*	----	ENGINE KOHLER XT 675 149CC	1
2	400023	NUT M8 NYLOCK	4
3	20894	ENGINE SPACER 23 X 30 X 14 MM	1
4	3364	KEY, SQUARE 3/16" X 5/8"	1
5	20907	PULLEY SINGLE GROOVE ENGINE 4L	1
6	3245	WASHER M8 X 24 X 2.2 MM	1
7	21035	BOLT 3/8-24 X 1.5 SOCKET HEAD	1
8	20820	BOLT M10 X 1.5 X 16 HEX HEAD	4
9	4650	NUT M6 X 1.0 NYLOCK	12
10	20824	BOLT M6 X 1.0 X 190 HEX HEAD	2
11	18130	WASHER M6 X 1.5 SPRINGLOCK	2
12	3130A	FRAME ENGINE MOUNT	1
13	20816	BOLT M8 X 1.25 X 35 HEX HEAD	1
14	17986	BOLT M6 X 1.0 X 16 HEX HEAD	10
15	20148	WASHER M6 X 18 X 1.6 FLAT	4
16	3335	ARM LOWER HANDLEBAR	1
17	3371	COVER 4 HOLE	1
18	744	SPACER FORWARD ARM 10.5 X 22 X 14.5 MM	2
19	20834	BELT GUIDE AND MOUNT	1
20	20144	BOLT M8 X 1.25 X 60 HEX HEAD	2
21	1407	SPRING, FORWARD ARM	1
22	2431	WASHER M10 X 20 X 2	1

REF. / REP.	PART NO. / N° RÉF.	DESCRIPTION	QTY. / QTÉ
23	400024	WASHER M8 8.4 X 16 X 1.6	1
24	20835	FORWARD ARM	1
25	W1200126	WASHER M10 X 28 X 2.8	2
26	1413	PULLEY, REVERSE IDLER	1
27	22563	WIREFORM BELT CATCH	1
28	W1265V0903	NUT M10 X 1.5 NYLOCK	1
29	22633	BELT V 4L 12 X 675 TOOTH	1
30	3275	SHIELD FRONT TINE FRAME	1
31	3128	TINE SHIELD	1
32	20173	COTTER PIN 2.5 X 35 MM	4
33	50175	WASHER 12MM TILLER	4
34	3332	SHAFT TAIL PIVOT	1
35	3331	SHAFT, WHEEL	1
36	28532	WHEEL & TIRE ASSY	2
37	18039	PIN LOCK 8MM X 40 MM	1
38	31056	DRAG STAKE ASSEMBLY	1
39	3330	TAIL MOUNT, LOWER	1
40	20799	TAIL MOUNT UPPER	1
41	21246	SPACER 22.5 X 31.9 X 1.5 MM	2
42	31049	PARTS BAG MANUAL AND HARDWARE	1

\*See engine manual for ordering engine service parts