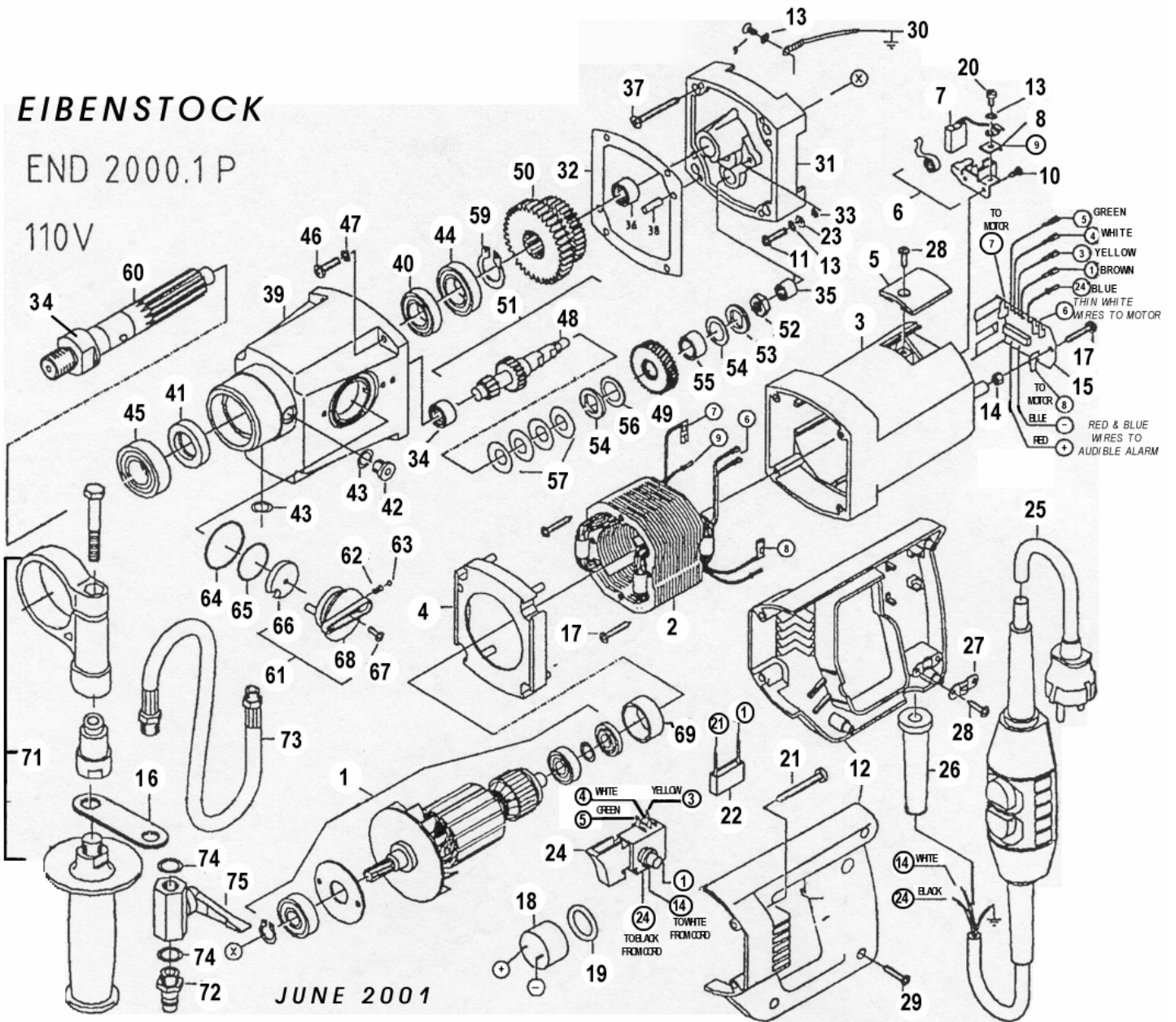


# HHD2AW

EIBENSTOCK

END 2000.1 P

110V



JUNE 2001

## HHD2AW HAND HELD DRILL PARTS LIST

| ITEM | PART#  | VIN           | DESCRIPTION                   |
|------|--------|---------------|-------------------------------|
| 1    | 228183 | 73324100      | ARMATURE COMPLETE             |
| 2    |        | 73329150      | COIL COMPLETE                 |
| 3    |        | 73320200      | MOTOR HOUSING                 |
| 4    |        | 73320140      | FAN RING HOUSING              |
| 5    | 228180 | 73320215      | BRUSH HOLDER COVER            |
| 6    |        | 80201199      | BRUSH HOLDER COMPLETE         |
| 7    | 228179 | 80700019      | BRUSH 6.3X16X20 LB2 F10       |
| 8    |        | 73320210      | CONTACT WASHER                |
| 9    |        | 80201200      | SCREW M4X6 DIN 7985           |
| 10   |        | 80201251      | SCREW HF2, 9X9.5 DIN 7981     |
| 11   |        | 80201131      | SCREW M4X16 DIN 7985          |
| 12   | 228202 | 73320260<br>1 | HANDLE                        |
| 13   |        | 80200752      | LOCK WASHER A4, 3 DIN 6797    |
| 14   |        | 71521288      | HEX NUT                       |
| 15   | 228182 | 73329280      | CIRCUIT BOARD                 |
| 16   | 228256 | 73325270      | PLATE FOR WATER VALVE         |
| 17   |        | 80201273      | SCREW HC4.2X25 DIN7981        |
| 18   |        | 80600155      | PIEZO ALARM BS-27HS           |
| 19   |        | 8300021       | O-RING 20X5 N 70 B            |
| 20   |        | 80201154      | CYL WASHER M4X6Ms DIN 84      |
| 21   |        | 80201267      | SCREW HC4.8X45 DIN7981        |
| 22   | 228254 | 73320305      | SOFT START CONDENSOR          |
| 23   |        | 80201371      | WASHER A4.3 DIN125            |
| 24   | 228174 | 80600116      | START SWITCH                  |
| 25   |        | 73327262      | POWER CORD COMPLETE           |
| 26   | 228228 | 71323255      | CORD HOUSING                  |
| 27   |        | 71540330      | STRAIN RELIEF CLAMP           |
| 28   |        | 80201270      | SCREW HC4.2X13 DIN 7981       |
| 29   |        | 80201272      | SCREW HC4.2X22 DIN 7981       |
| 30   |        | 73325185      | GROUND FAULT WIRE             |
| 31   | 228213 | 73325610      | GEAR HOUSING TOP              |
| 32   | 228255 | 73320620      | GEAR HOUSING SEAL             |
| 33   |        | 83000019      | ROUND RING 03.6X1.78          |
| 34   | 228216 | 35112000      | ADAPTOR M18 TO 1-1/4-7        |
| 34   | 228215 | 35110         | ADAPTOR M18 TO 5/8-11         |
| 35   | 228250 | 80420110      | NEEDLE BEARING HK0810 DIN 625 |
| 36   |        | 80420131      | NEEDLE BEARING HK1210 DIN 625 |
| 37   |        | 80201275      | SCREW 4.5X50 H1258            |

| ITEM | PART # | VIN      | DESCRIPTION                   |
|------|--------|----------|-------------------------------|
| 38   |        | 80200580 | PIN 5X16 DIN 1474 STAHL       |
| 39   |        | 73325400 | GEAR HOUSING BOTTOM           |
| 40   | 228223 | 83000024 | RING SEAL AC 20X35X7 DIN 3760 |
| 41   | 228211 | 83000023 | RING SEAL AB 20X35X7 DIN 3760 |
| 42   |        | 80201406 | PLUG SCREW 1/8" DIN 908       |
| 43   |        | 83000106 | SEAL WASHER 1/8"              |
| 44   |        | 80410152 | BEARING 6904 2RS DIN 625      |
| 45   | 228217 | 80410051 | BEARING 6004 2RS DIN 625      |
| 46   | 228212 | 80201204 | SCREW M5X20 DIN 7985          |
| 47   |        | 80201302 | LOCK WASHER 6 DIN 7980        |
| 48   |        | 73320490 | INTERMEDIATE GEAR SHAFT       |
| 49   | 228239 | 73323550 | GEAR                          |
| 50   | 228249 | 73430498 | CLUTCH WASHER                 |
| 51   | 228242 | 73323493 | CLUTCH COMPLETE               |
| 52   |        | 80201007 | NUT BM10X1 DIN 439            |
| 53   |        | 73116498 | WASHER                        |
| 54   | 228224 | 73116497 | WASHER                        |
| 55   |        | 80420240 | SPACER GETRO TYPE 1208 T      |
| 56   |        | 73430499 | C – CLIP                      |
| 57   |        | 80200716 | WASHER 28X14.2X1.5 DIN 2093   |
| 58   |        | 73320440 | GEAR                          |
| 59   |        | 80201319 | C – CLIP 19/1 DIN 471         |
| 60   | 228210 | 73325420 | SPINDLE                       |
| 61   | 228225 | 73320545 | SWITCH COMPLETE               |
| 62   | 228226 | 80200698 | SPRING 0.5X3.8X8.0X5.5        |
| 63   | 228227 | 83000080 | BALL 3.5                      |
| 64   | 228245 | 80410022 | O – RING 36X1.5 NBR           |
| 65   | 228244 | 83000017 | O – RING 28X1 NBR             |
| 66   |        | 73320542 | BACK PLATE                    |
| 67   |        | 80201149 | SCREW M3X12, DIN 7984         |
| 68   |        | 73320541 | SWITCH                        |
| 69   |        | 73320315 | BEARING CAP                   |
| 70   |        |          |                               |
| 71   | 228192 | 73320695 | HANDLE COMPLETE               |
| 72   |        | 83000104 | BRASS NIPPLE DN7.2            |
| 73   | 228172 | 83000109 | HOSE COMPLETE                 |
| 74   |        | 83000107 | SEAL                          |
| 75   |        | 83000100 | VALVE                         |
|      | 228214 | 73325620 | GASKET                        |
|      |        |          |                               |
|      |        |          |                               |