

**OPERATING INSTRUCTIONS AND PARTS LIST
INSTRUCCIONES DE OPERACIÓN Y LISTA DE PIEZAS**



SUPER TILEMATIC

MODELS:

STM10100 & STM10100SS

STM10150 & STM10150SS



DECAL DESCRIPTIONS & LOCATION DESCRIPCIÓN DE CALCAMONIAS Y UBICACIONES



P/N 187691
Location: Belt Guard - Side



P/N 187043
Location: Belt Guard - Top



P/N 046326
Location: Motor Assembly

GOOD MOTOR PERFORMANCE DEPENDS ON PROPER VOLTAGE. EXTENSION CORDS THAT ARE TOO LONG AND/OR SMALL REDUCE VOLTAGE TO MOTOR UNDER LOAD. USE EXTENSION CORDS NO SMALLER THAN INDICATED BELOW.

MOTOR HP	50' CORD		75' CORD		100' CORD	
	115V	230V	115V	230V	115V	230V
1	#12	#14	#10	#14	# 8	#14
1 ½	#10	#14	#10	#14	# 8	#14
2	#10	#12	# 8	#12	# 8	#12
3	# 8	#10	# 8	#10	# 8	#10
5		# 8		# 8		# 8

046327

P/N 046327
Location: Motor Assembly

DECAL DESCRIPTIONS & LOCATION DESCRIPCIÓN DE CALCAMONIAS Y UBICACIONES



P/N 189734
Location: Water Pan Sides



P/N 189736
Location: Water Pan - Front



P/N 189731
Location: Side of Belt Guard & Side of Blade Guard

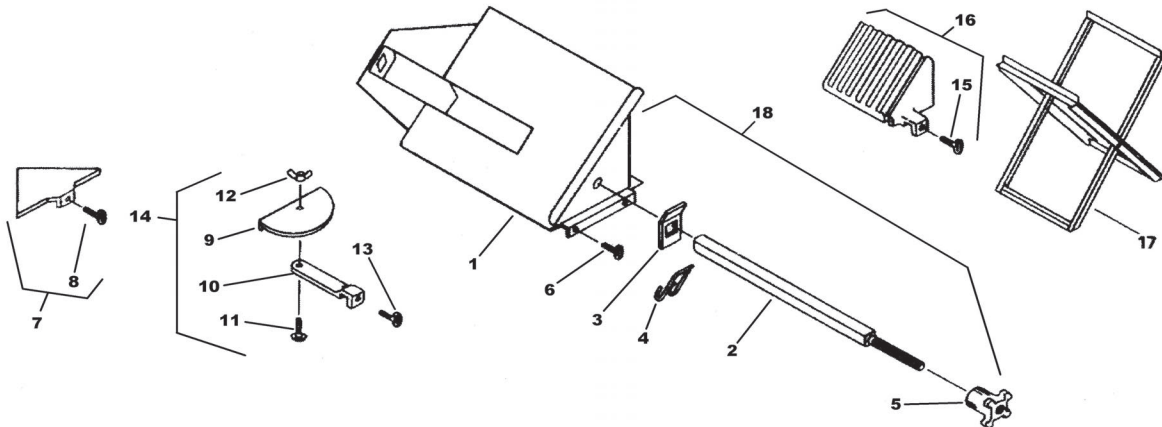
11 REPAIRS

We carry out all repairs in the shortest possible time and at the most economical prices. (See front page for address and phone numbers) Contact your authorized **TARGET®** dealer concerning maintenance and repairs.

12 SPARE PARTS

For quick supply of spare parts and to avoid any lost time, it is essential to quote the data on the manufacturers plate fixed to the machine and the part number(s) and description to be replaced with every order.

13 TILE CUTTING ACCESSORIES



ANGLE GUIDE

PROTRACTOR

PRECISION MITERING GUIDE

BULLNOSE

FOLDING STAND

Parts List:

Diag.	Part No.	Qty.	Description	Diag.	Part No.	Qty.	Description
1	161479	1	Frame, Miter	10		1	Protractor Arm
2	050107	1	Bar, Locking	11	020011	1	Bolt, Carriage, 1/4-20 x 5/8"
3	050105	1	Clip, Stop	12	020244	1	Wing Nut, 1/4-20
4	050106	1	Spring	13	020598	1	Screw, Thumb, 1/4-20 x 1"
5	050103	1	Knob	14	051010	1	Protractor Assy
6	020598	2	Screw, Thumb, 1/4" - 20 x 1"	15	020598	1	Screw, Thumb, 1/4" - 20 x 1"
7	051020	1	Miter Assy, 45°	16	051030	1	Holder Assy, Bullnose
8	020598	1	Screw, Thumb, 1/4" - 20 x 1"	17	051041	1	Stand, Tile Saw
9		1	Protractor Head	18	050102	1	Support Assy, Miter Frame

RIP GUIDE: P/N 051000 - The Rip Guide is a standard accessory supplied with every tile saw. It is used to provide a repeatable position for rip cuts until relocated. The Rip Guide clamps to the machined backstop of the conveyor cart.

ADJUSTABLE PROTRACTOR: P/N 051010 - The Protractor can be used to rip cut known angles. The protractor clamps to the backstop.

ANGLE GUIDE : P/N 051020 - This is a non-adjustable miter used to quickly position the tile at 45 degrees; either on the left or right side. It is often used for repeated diagonal rip cuts. The Angle Guide clamps to the backstop.

BULLNOSE MITERING GUIDE: P/N 051030 - This is a fixed guide that positions the tile for a 45 degree miter cut. The Mitring Guide clamps to the backstop.

PRECISION MITERING JIG: P/N 161480 - This is a 45 degree fixture that has an adjustable clamp to hold the tile while miter cutting. The Mitring Guide clamps to the backstop.

BOOMERANGLE: P/N 169525 - This plastic accessory holds the tile at 45 degrees; locating two edges of the tile. Useful for diagonal cuts or uniformly cutting off corners. The Boomerangle clamps to the backstop with two thumb screws.

FOLDING STAND: P/N 051041 - This stable, one piece stand brings a **TARGET®** tile saw to standing level for ease of work. The stand conveniently folds flat for storage and transporting.

The instructions for use and spare parts found in this document are for information only and are not binding. As part of our product quality improvement policy, we reserve the right to make any and all technical modifications without prior notice.



The manufacturer accepts no responsibility caused by unsuitable use or modifications.

DIAGRAM 1 – SUPER TILEMATIC

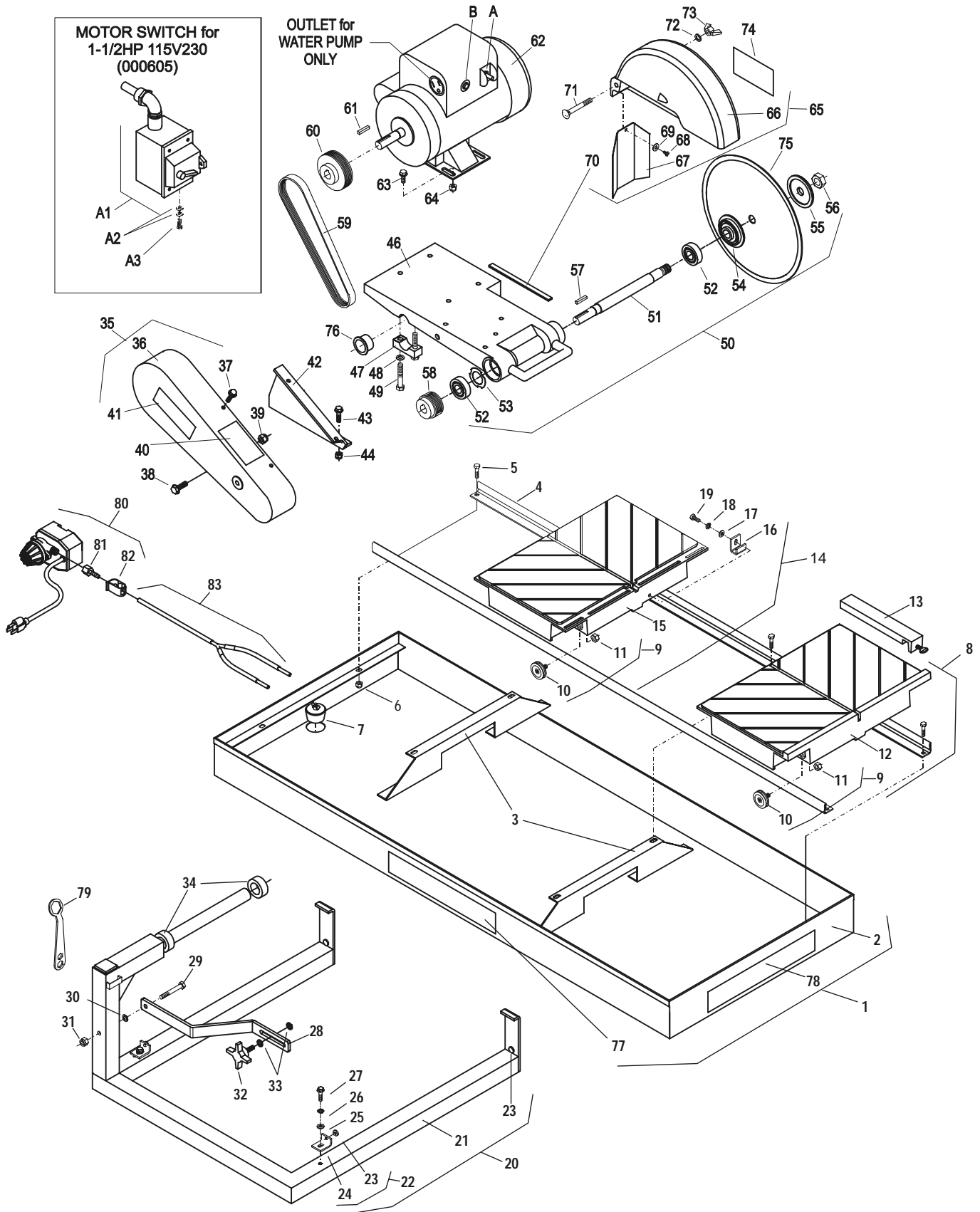
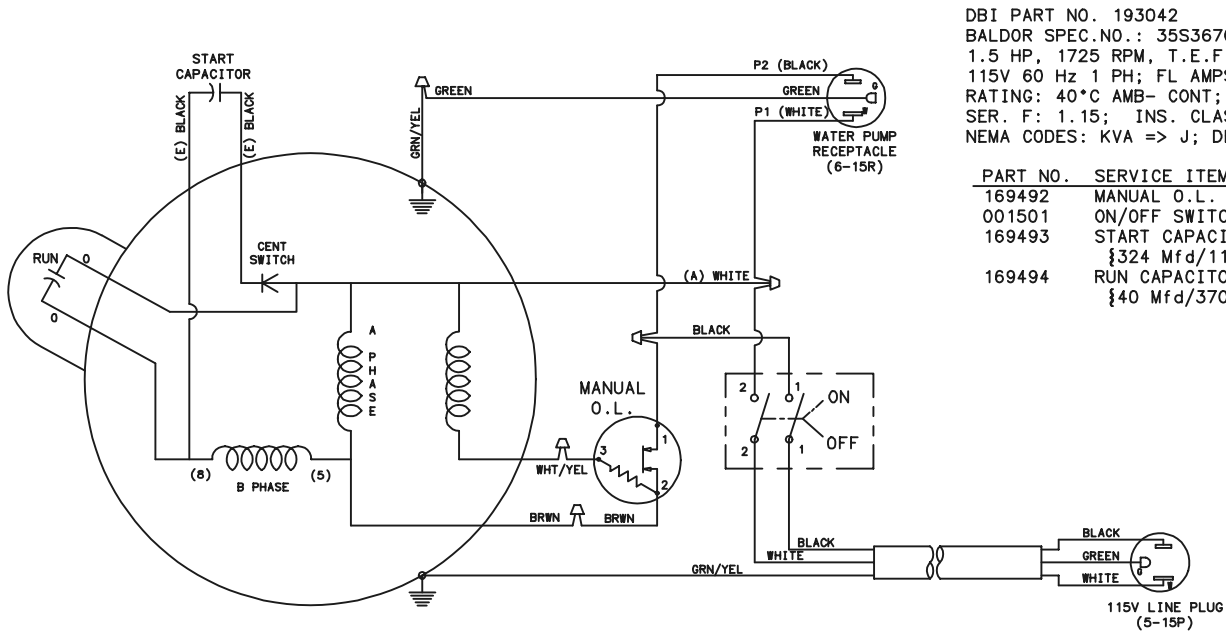


DIAGRAM 1 – SUPER TILEMATIC PARTS LIST: STM10100 & STM10150 (Black)
(05/2) STM10100SS & STM10150SS (Stainless Steel)

DIAG LOC	PART NO.	QTY REQ	DESCRIPTION	DIAG LOC	PART NO	QTY REQ	DESCRIPTION
1	169745	1	Pan Assy, Black (Incls 2 – 7, 77 & 78)	57	020060	1	Key, 3/16" Sq. x 1" (Comes with Motor)
[1]	169890	1	Pan Assy, SS (Incls 2 – 7, 77 & 78)				
2	161740	1	Pan, Black	58	68822	1	Pulley, Arbor: 6GJ1.75-.627 w/SS, (For 1-1/2HP, 115V/60/1)
[2]	169787	1	Pan, SS				
3	051068	2	Rail Support	(58a)	161696	1	Pulley, Arbor: 2G3V2.0 -.625 w/SS, (For 1-1/2HP, 115/230V/60/1)
4	161680	2	Rail (Standard)				
[4]	169791	2	Rail, SS	(58b)	058002	1	Pulley, Arbor: 1G3V1.9 w/SS, (For 1HP, 240V/50/1)
5	020301	8	Capscrew, Hex Hd., 1/4" - 20 x 5/8"				
[5]	198115	8	Capscrew, Hex Hd., 1/4" - 20 x 5/8", SS				
6	020195	8	Locknut, Fiber, 1/4" – 20	59	58964	1	V-Belt: Poly 280J6, (For 1-1/2HP, 115V/60/1)
[6]	189116	8	Locknut, Fiber, 1/4" - 20, SS				V-Belt, 3VX280 (Set of 2), (For 1.5HP 115/230V/60 & 2HP 240V/50)
7	030386	1	Drain Plug	[59a]	139612	1	
8	169573	1	Conveyor Cart Assy (Incls 10 – 12)				
9	030049	1	Wheels-Set of 4 (Incls 10 - 11)				
10	030822	4	Cart Wheel	60	172101	1	Pulley, Motor: 6GJ2.8 w/SS, (For 1.5HP, 115V/60/1)
11	032366	4	Nut, KEPS 5/16" – 18				
12	169576	1	Cart, Conveyor w/ V-Top	[60a]	030906	1	Pulley, Motor: 2G3V2.25 w/SS, (For 1.5HP 115/230V/60/1)
13	051000	1	Rip Guide				
14	161734	1	Tow Cart Assy (Incls 10-11,15 – 19)	[60b]	058052	1	Pulley, Motor: 1G3V3.67 w/SS, (For 1HP, 240V/50/1)
15	169648	1	Tow Cart (V-Top)				
16	161682	1	Cart Hook	61	020060	1	Key, 3/16" Sq. x 1"
17	020741	1	Washer, Flat, 1/4"				
18	020784	1	Lockwasher, Split, 1/4"	62	193042	1	Motor: 1.5HP-HT, 1725 RPM, 115V/60/1
19	021423	1	Capscrew, Hex Hd., 1/4" - 20 x 1/2"	A	001501	1	Motor Switch (193042)
20	169747	1	Frame Assy. (Incls 21 – 27)	B	169492	1	Manual Reset Overload (193042)
21	161739	1	Frame Weldment	--	169493	1	Capacitor, Start (193042)
22	051064	2	Pan Stop Assembly (Incls 23 – 24)	--	169494	1	Capacitor, Run (193042)
23	051065	4	Plastic Tab	[62a]	000605	1	Motor: 1-1/2 HP, 3450 RPM, 115/230V/60/1
24	051061	2	Pan Stop	--	161581	1	Motor Switch (000605)
25	020762	2	Washer, Flat 1/4"	A1	032080	1	Switch, Housing & Wiring Assy (Incl. 161581)
26	020784	2	Lockwasher, Split, 1/4"	A2	020741	4	Washer, Flat 1/4"
27	020489	2	Screw, Hex Hd, 1/4" - 20 x 3/4"	A3	020489	2	Screw, Sheet Metal, 1/4" - 20 x 3/4"
28	169495	1	Lock Bar	--	030141	1	Dual Voltage Switch (000605)
29	020318	1	Capscrew, Hex Hd., 5/16" - 18 x 2-1/4"	--	000873	1	Manual Reset Switch (000605)
30	020742	1	Washer, Flat, 5/16"	--	189117	1	Capacitor, Start (000605)
31	020197	1	Locknut, Fiber, 5/16" – 18	[62c]	000607	1	Motor: 2HP, 2850 RPM, 240V/50
32	169486	1	Knob, 5/16" – 18 x 1	--	161581	1	Motor Switch (000605)
33	020742	2	Washer, Flat, 5/16"	A1	032080	1	Switch, Housing & Wiring Assy (Incl. 161581)
34	043260	2	Set Collar	--	110055	1	Capacitor, Start (000607)
35	169581	1	Belt Guard Assy. (Incls. 36 – 41)	63	178825	4	Flange Bolt, 5/16" - 18 x 1"
36	051131	1	Belt Guard	64	020197	4	Locknut, Fiber, 5/16" – 18
37	189660	2	Flange Bolt, 1/4" – 20 x 1/2"				
38	178825	1	Flange Bolt, 5/16"-18 x 1"	65	169580	1	Blade Guard Assy (Incl. 66 – 74, 83)
39	020197	1	Locknut, Fiber, 5/16" – 18	66	169532	1	Blade Guard (only)
40	187043	1	Decal: Warning (Belt Guard)	67	169365	1	Splash Guard
41	189731	1	Decal: TARGET TB (Belt Guard)	68	169366	1	Screw, Self-Tapping #8 x 3/8"
42	169499	1	Belt Guard Bracket	69	020739	1	Washer, Flat #10
43	178826	1	Flange Bolt, 1/4"-20 x 1"	70	163248	1	Rubber Sponge Strip
44	020195	2	Locknut, Fiber, 1/4" – 20	71	020126	1	Carriage Bolt, 5/16" -18 x 2-1/2"
45				72	020763	1	Washer, Flat 5/16"
--	169583	1	Cutting Head Assy, Cmpl. (Incls 36-74, 83)	73	020245	1	Locknut, Wing 5/16" – 18
--	169578	1	Cutting Head Assy, Basic (Incls 46, 51-56)	74	189731	1	Decal: Tile Saw (Blade Guard – Side)
46	171032	1	Motor Base, B-Cap (only)	75	----	1	Blade: 10" (254mm) - TARGET
--	161730	2	Bearing Cap Assy (Incls 47-49) (Qty 2 req'd)	76	169773	2	Bushing, Pivot (For Pivot Head Version ONLY)
47	189661	2	Cap Bearing	77	189734	2	Decal: TARGET SUPER TILEMATIC
48	020785	4	Lockwasher, Split 5/16"	78	189736	1	Decal: TARGET LB
49	020441	4	Capscrew, Hex Hd., 5/16" - 18 x 1-3/4"	79	161641	1	Wrench
50	052004	1	Blade Shaft Assembly (Incls 51-56)	80			Water Pump Assy (Incls 81 – 82)
51	052006	1	Blade Shaft	[80]	050218	1	Water Pump Assy, G100, 115V/60
52	071081	2	Bearing	[80]	161316	1	Water Pump Assy, G300, 115V/60
53	071110	1	Spring Washer	[80]	050216	1	Water Pump Assy, G300, 230V/50
54	169522	1	Inner Collar	81	197237	1	Hose Barb 1/4" NPT x 1/4"
55	169523	1	Outer Collar	82	161134	1	Valve, Tubing Control
56	020176	1	Nut, Hex Jam Thin, 5/8" – 18	83	169564	1	Water Tube Assy: 1/4"Y x 72"

Diagram 2: Wiring Diagram 193042, 1.5HP-HT, 115V/60/1 (03/01.02)



DBI PART NO. 193042
 BALDOR SPEC.NO.: 35S367Q047G1
 1.5 HP, 1725 RPM, T.E.F.C.
 115V 60 Hz 1 PH; FL AMPS 14.4
 RATING: 40°C AMB- CONT; FR: 56
 SER. F: 1.15; INS. CLASS: B
 NEMA CODES: KVA => J; DES => L

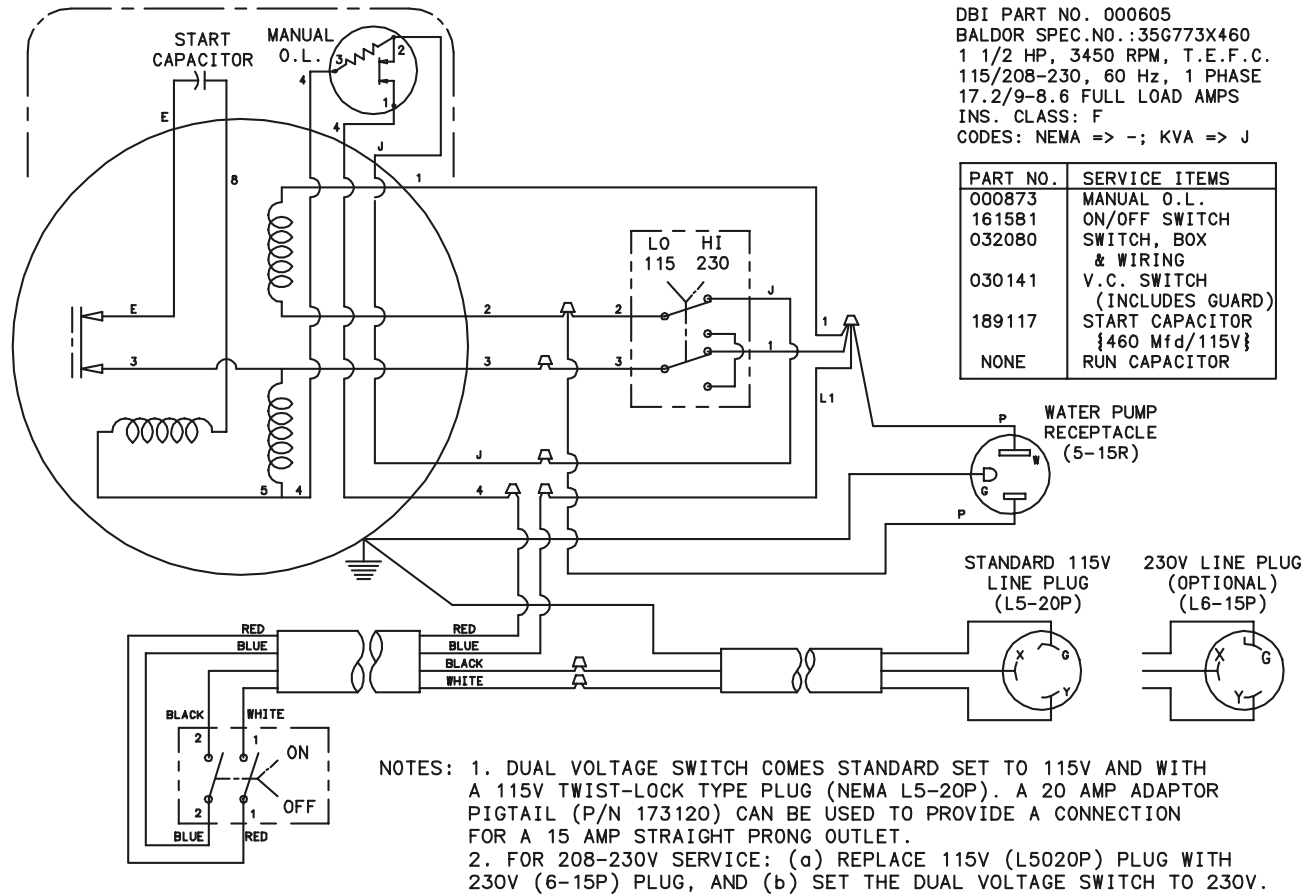
PART NO.	SERVICE ITEMS
169492	MANUAL O.L.
001501	ON/OFF SWITCH
169493	START CAPACITOR {324 Mfd/110V}
169494	RUN CAPACITOR {40 Mfd/370V}

NOTES:

- SINGLE VOLTAGE - 115V WITH:
 - * 300V SJT-W CORD & MOLDED PLUG (5-15P)
 - * PIGTAIL WATER PUMP RECEPTACLE (5-15R)
- CCW ROTATION FACING END OPPOSITE SHAFT EXTENSION.
 NON-REVERSIBLE.

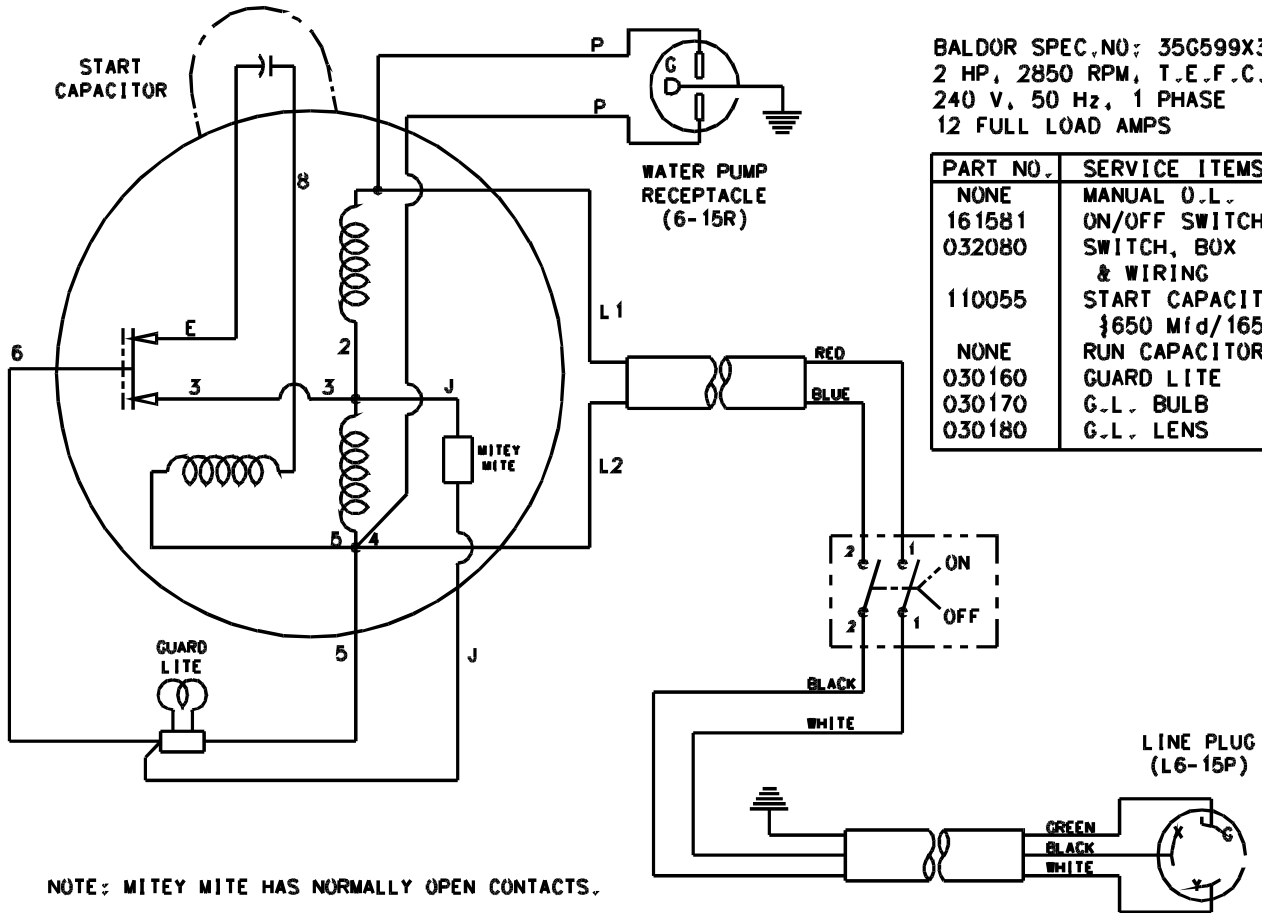
PART NO.	SPEC. NO.	HP	RPM	VOLT	HZ	PH	F.L.AMPS
193042	35S367Q047G1	1.5	1725	115	60	1	14.4

Diagram 3: Wiring Diagram 000605, 1.5HP, 115V/208-230/60/1



PART NO.	SPEC. NO.	HP	RPM	VOLT	HZ	PH	F. L. AMPS
000605 (161702)	35G773X460	1.5	3450	115/208-230	60	1	17.2/9-8.6

Diagram 4: Wiring Diagram 000607, 2 HP, 240/50/1



BALDOR SPEC. NO: 35G599X366
 2 HP, 2850 RPM, T.E.F.C.-
 240 V, 50 Hz, 1 PHASE
 12 FULL LOAD AMPS

PART NO.	SERVICE ITEMS
NONE	MANUAL O.L.
161581	ON/OFF SWITCH
032080	SWITCH, BOX & WIRING
110055	START CAPACITOR
	{650 Mfd/165V}
NONE	RUN CAPACITOR
030160	GUARD LITE
030170	G.L. BULB
030180	G.L. LENS

NOTE: MITEY MITE HAS NORMALLY OPEN CONTACTS.

PART NO.	SPEC. NO.	HP	RPM	VOLT	HZ	PH	F.L. AMPS
000607 (161703)	35G599X366	2	2850	240	50	1	12