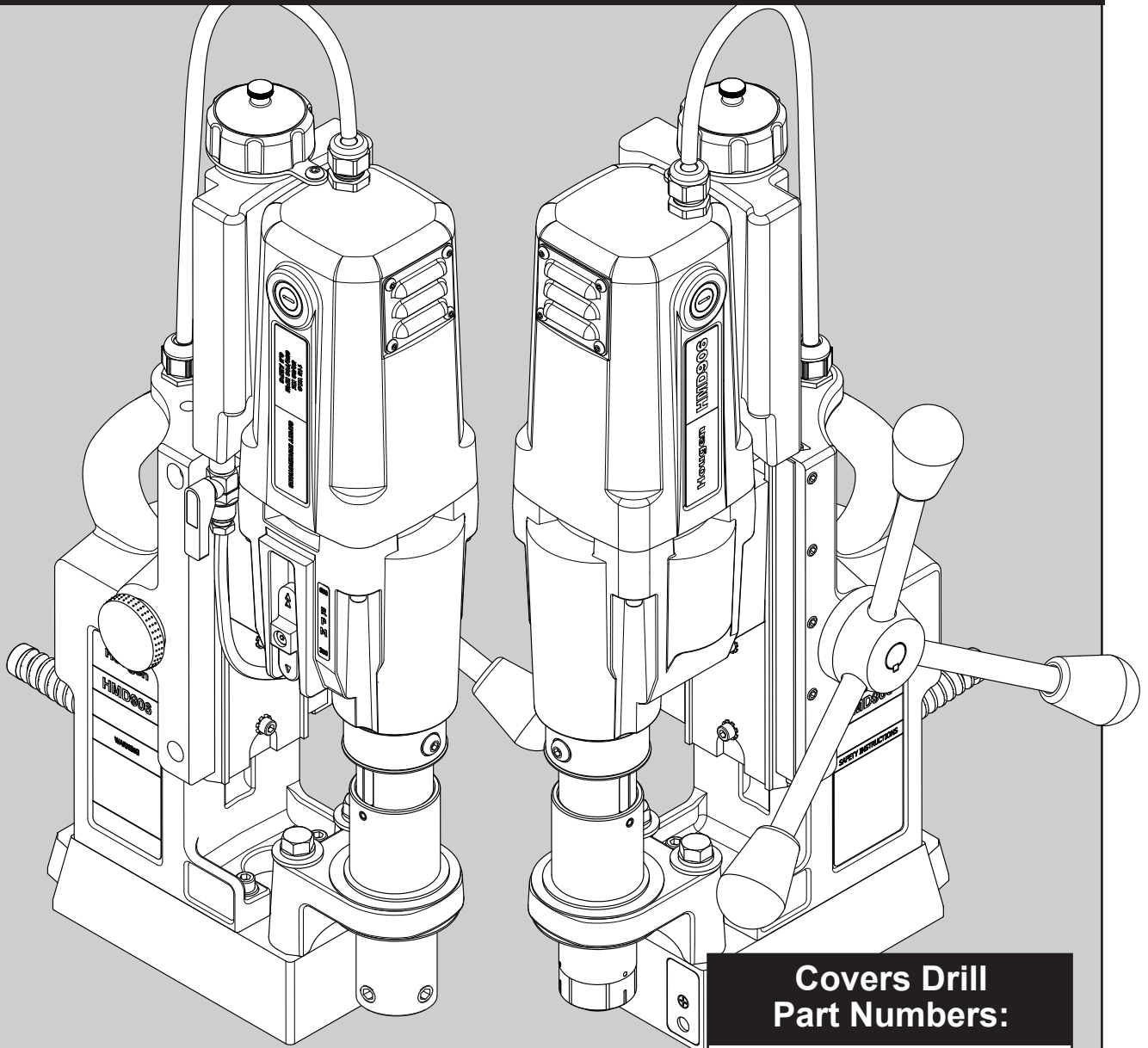




# OPERATOR'S MANUAL

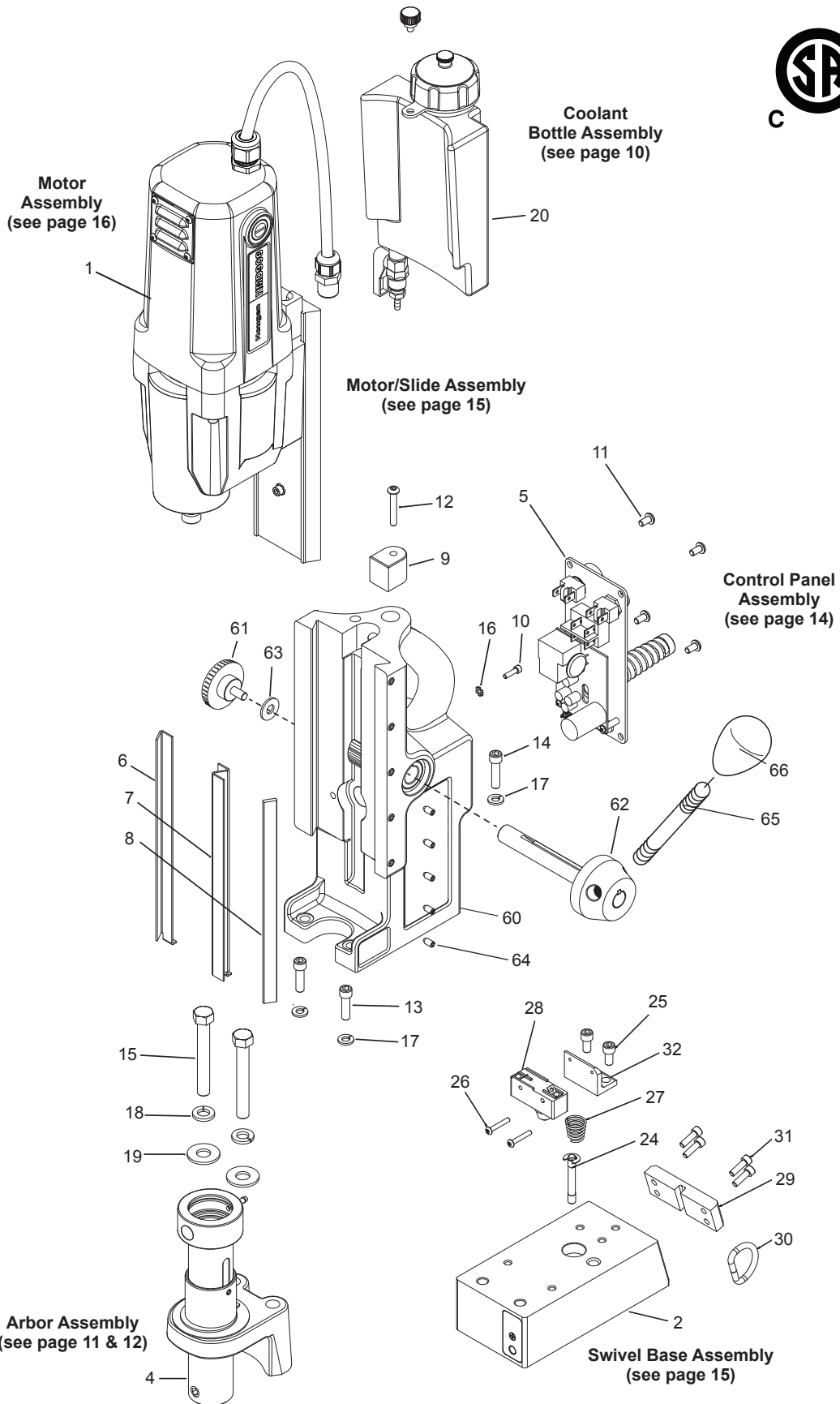
## HMD906 SERIES PORTABLE MAGNETIC DRILL



**Covers Drill  
Part Numbers:**

0906102	0906112
0906104	0906114

# HMD906 MAG BASE DRILL



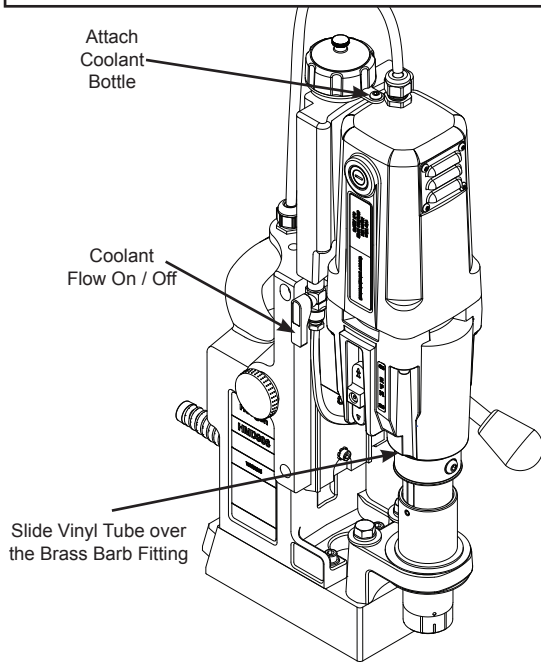
<b>HMD906 Breakdowns</b>			
Item	Part #	Description	Qty
1	<b>08882</b>	Motor / Slide Assy.	1
4	<b>07831</b>	Standard Arbor Assy. Non-Swivel	1
	<b>08115</b>	Standard Arbor Assy. Swivel	1
	<b>08861</b>	One-Touch Arbor Assy. Non-Swivel	1
	<b>08917</b>	One-Touch Arbor Assy. Swivel	1
5	<b>08251</b>	Control Panel	1
6	<b>02429</b>	Gib, Brass, Right Hand	1
7	<b>02430</b>	Gib, Brass, Left Hand	1
8	<b>02431</b>	Gib Steel	1
9	<b>07833</b>	Stop Block	1
10	<b>17002</b>	SCR SHC #6-32 x 1/2 LG	1
11	<b>41044</b>	SCR BHC #10-32 x 3/8 LG	4
12	<b>10559</b>	SCR BHC #10-32 x 1-1/4 LG	1
13	<b>10553</b>	SCR SHC 1/4-20 x 7/8 LG	2
14	<b>40077</b>	SCR SHC 1/4-20 x 1" LG	1
15	<b>40594</b>	Hex Bolt - Standard Arbor 3/8-24 x 3 LG - Non-Swivel	2
	<b>07088</b>	Hex Bolt - Standard Arbor 3/8-24 x 2-1/4 LG - Swivel	2
	<b>01598</b>	Hex Bolt - One Touch Arbor 3/8-24 x 2-1/2 - Non-Swivel	2
	<b>01580</b>	Hex Bolt - One Touch Arbor 3/8-24 x 1-3/4 - Swivel	2
16	<b>90052</b>	Lock Washer Ext. #6	1
17	<b>90028</b>	Lock Washer Helical 1/4	3
18	<b>40391</b>	Lock Washer Helical 3/8	2
19	<b>40392</b>	Washer Flat 3/8 Type A	2
20	<b>07950</b>	Coolant Bottle Assembly	1
<b>Accessories Included</b>			
	<b>10565</b>	1/8" Short Arm Hex Key	1
65	<b>10569</b>	Feed Handles	3
66	<b>04532</b>	Feed Handle Knobs	3
	<b>10730</b>	Safety Chain 3/16 x 5' w/Snap Hook	1
	<b>08077</b>	Carrying Case w/Label	1
	<b>24166</b>	7/32" Hex Key for Arbor	1
	<b>13013</b>	5/32" Long Arm Allen Wrench	1

<b>08886 Housing Assembly</b>			
Item	Part #	Description	Qty
60	<b>08887</b>	Drill Housing	1
61	<b>05839</b>	Knob - Comfort Rubber Grip	1
62	<b>40254</b>	Hub Assembly	1
63	<b>10679</b>	Washer - Flat 1/4 Type A	1
64	<b>40237</b>	Gib Screws	5

<b>07882 Magnet Assembly</b>			
Item	Part #	Description	Qty
2	<b>07861</b>	Magnet	1
24	<b>04910</b>	Plunger Assembly	1
25	<b>10971</b>	SCR SHC 1/4-20 x 1/2" LG	2
26	<b>10972</b>	SCR BHC #6-32 x 7/8" LG	2
27	<b>17271</b>	Spring - Taper, Comp.	1
28	<b>04885</b>	Safetyswitch Assy.	1
29	<b>07887</b>	Plate - Ring Retaining	1
30	<b>24144</b>	D-Ring	1
31	<b>41046</b>	SCR SHC #10-32 x 1/2" LG	4
32	<b>04909</b>	Bracket - Safety Switch	1

Swivel Base Magnet (see page 15)

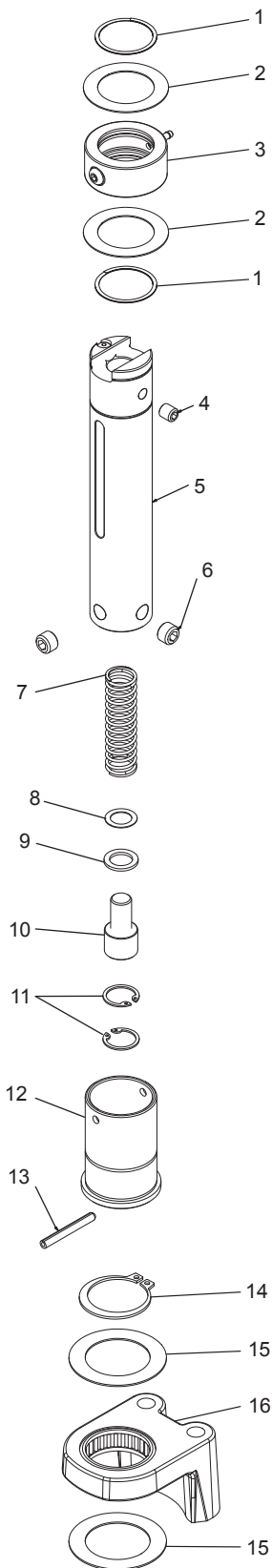
## COOLANT BOTTLE ASSEMBLY



### 07950 Coolant Bottle Assembly

Part #	Description
08255	Round Bottle
08061	Coolant Bottle Bracket (Bottle to Bracket)
41044	SCR BHC #10-32 x 3/8
05065	Ball Valve
05067	Brass Barb Fitting (bottom of the bottle)
40304	Vinyl Tube
07080	Brass Fitting (vinyl tube to coolant inducer)
24124	Coolant Bottle Cap

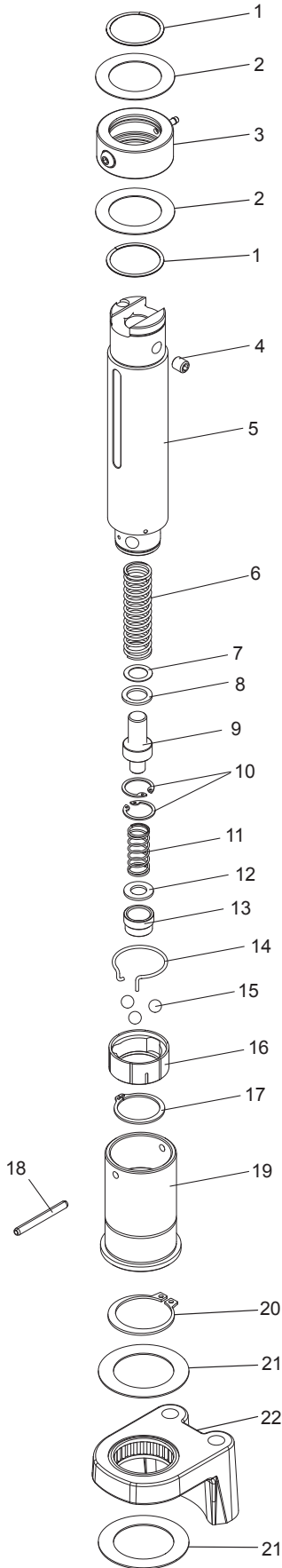
## STANDARD ARBOR ASSEMBLY BREAKDOWN



07831 Arbor Assembly Non-Swivel 08115 Arbor Assembly Swivel			
Item	Part #	Description	Qty
1	40302	Ring - Retaining	2
2	40301	Washer, Thrust 1-3/8 x 2-1/16 x 1/32	2
3	07445	Coolant Inducer	1
	40300	O-Ring <i>(not shown)</i>	1
	07447	Hose Fitting <i>(not shown)</i>	1
	07082	SCR BHC 1/4-28 x 1/4 <i>(not shown)</i>	1
4	40256	SCR Set 5/16-18 x 3/8 Oval Pt	1
5	07872	Arbor Body	1
6	40222	SCR Set 7/16-14 x .305	2
7	05049	Spring - Comp	1
8	07440	Washer - Shim 12 x 18 x .5mm	1
9	07436	Washer - Rubber	1
10	07079	Spring Seat	1
11	10517	Ring - Retaining Internal	2
12	07162	Collar Ejector	1
13	40312	Pin-Roll 3/16 dia x 1.564 Altered	1
14	40398	Ring - Retaining	1
15	40234	Washer, Thrust	2
16	07870	Front Support Bracket Assy. Non-Swivel	1
	08113	Front Support Bracket Assy. Swivel	1

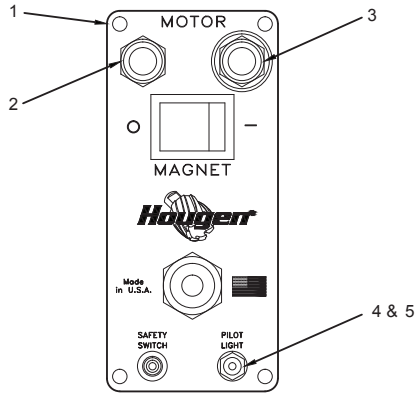
English

# ONE-TOUCH ARBOR ASSEMBLY BREAKDOWN

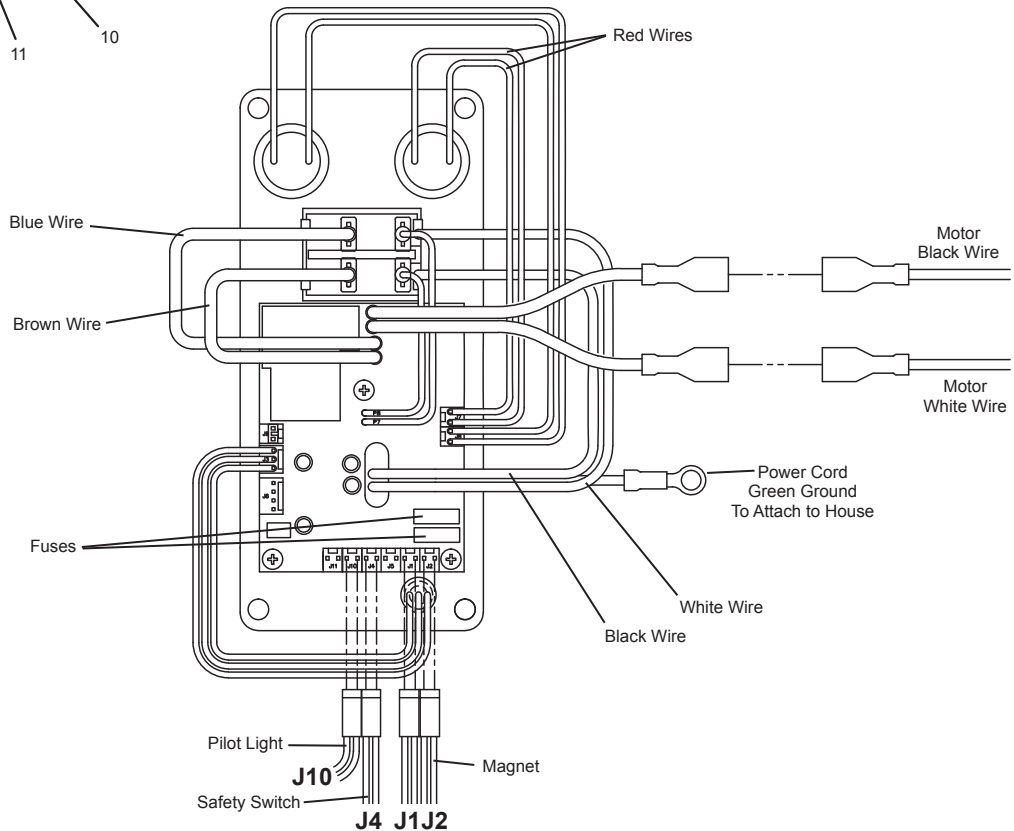
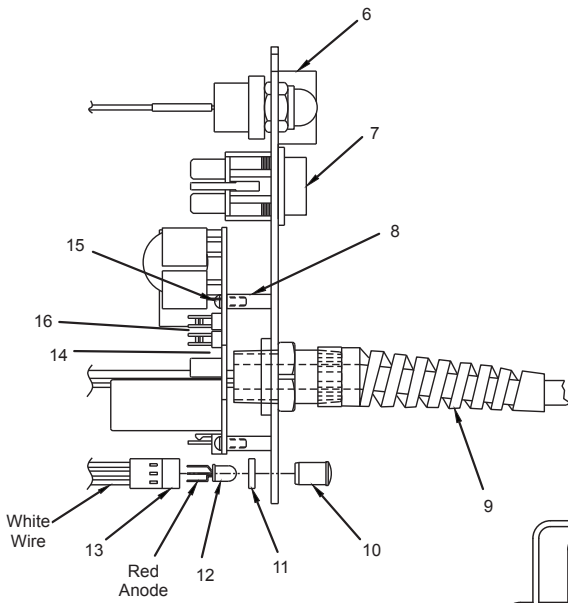


08861 Arbor Assembly Non-Swivel 08917 Arbor Assembly Swivel			
Item	Part #	Description	Qty
1	40302	Ring - Retaining	2
2	40301	Washer, Thrust 1-3/8 x 2-1/16 x 1/32	2
3	07446	Coolant Inducer	1
	40300	O-Ring ( <i>not shown</i> )	1
	07447	Hose Fitting ( <i>not shown</i> )	1
	07082	SCR BHC 1/4-28 x 1/4 ( <i>not shown</i> )	1
4	40256	SCR Set 5/16-18 x 3/8 Oval Pt	1
5	08866	Arbor Body - One-Touch	1
6	05049	Spring - Comp	1
7	07440	Washer - Shim 12 x 18 x .5mm	1
8	07436	Washer - Rubber	1
9	08868	Spring Seat	1
10	10517	Retaining Ring - .750 Nom. ID	2
11	08873	Spring - Comp	1
12	07356	Washer - Type B	1
13	08870	Cap - Ejector	1
14	08872	Spring - Torsion 1.38 OD	1
15	08871	Ball - Steel Chrome 5/16	3
16	08869	Collar - Retainer	1
17	08875	Ring - Retainer fo 1-1/8 shaft	1
18	08874	Pin - Roll 3/16 x 1-3/4	1
19	08867	Collar - Ejector	1
20	08865	Ring - Retainer for 45mm shaft	1
21	08864	Washer - Thrust 45 x 65 x 1	2
22	08863	Front Support Bracket Assy. Non-Swivel	1
	08918	Front Support Bracket Assy. Swivel	1

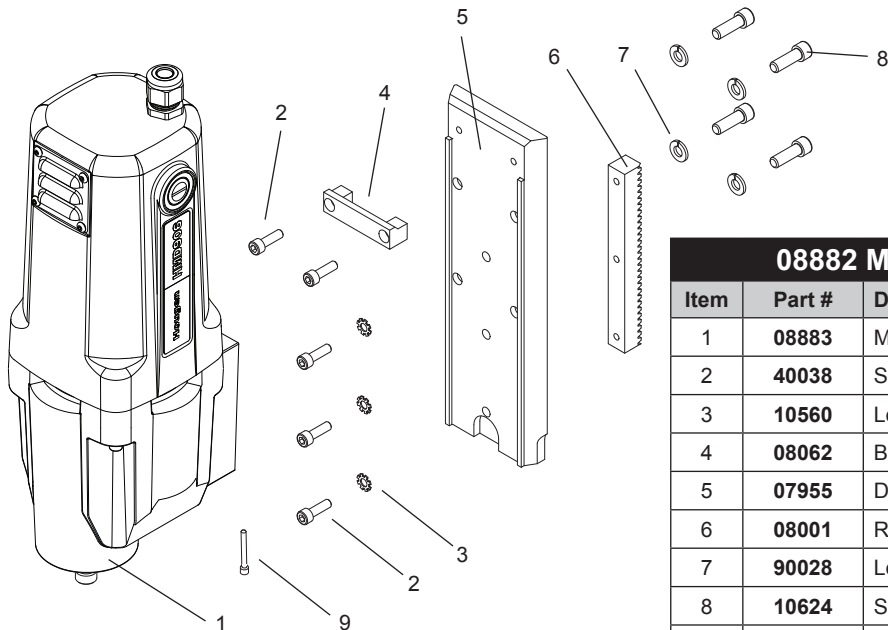
# CONTROL PANEL BREAKDOWN & WIRING



07889 Panel Assembly			
Item	Part #	Description	Qty
1	08057	Faceplate	1
2	01335	Switch - Motor Off	1
3	01334	Switch - Motor On	1
4	05335	Mini Toggle Switch Assy.	1
5	05336	Mini Toggle Switch Boot	1
6	01226	Guard Switch	1
7	04614	Magnet Switch	1
8	02548	Stand Off	3
9	24073	Power Cord Assembly	1
10	04879	Lens Clear L.E.D.	1
11	04878	Spacer L.E.D.	1
12	04881	Bulb L.E.D.	1
13	04877	Wire Harness L.E.D.	1
14	08646	Circuit Board	1
15	02547	SCR #4-40 x 5/16 LG	3
16	07522	Fuse	2

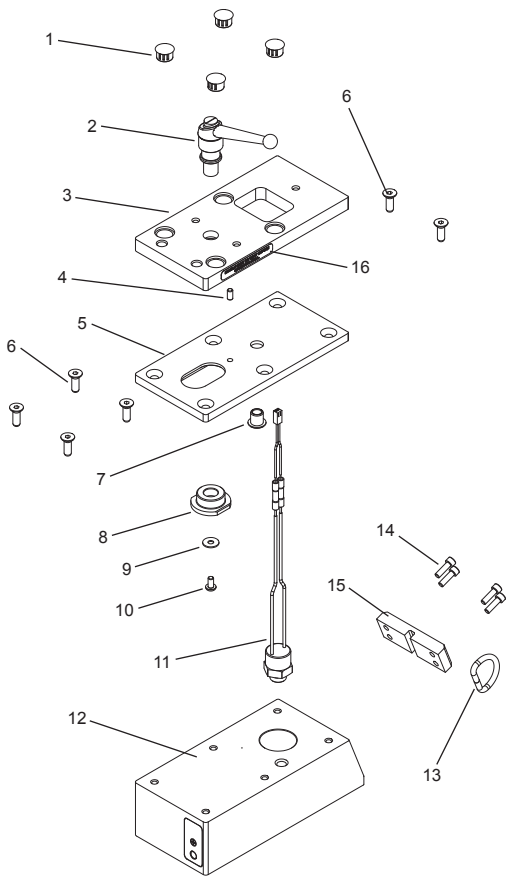


**MOTOR SLIDE ASSEMBLY BREAKDOWN**



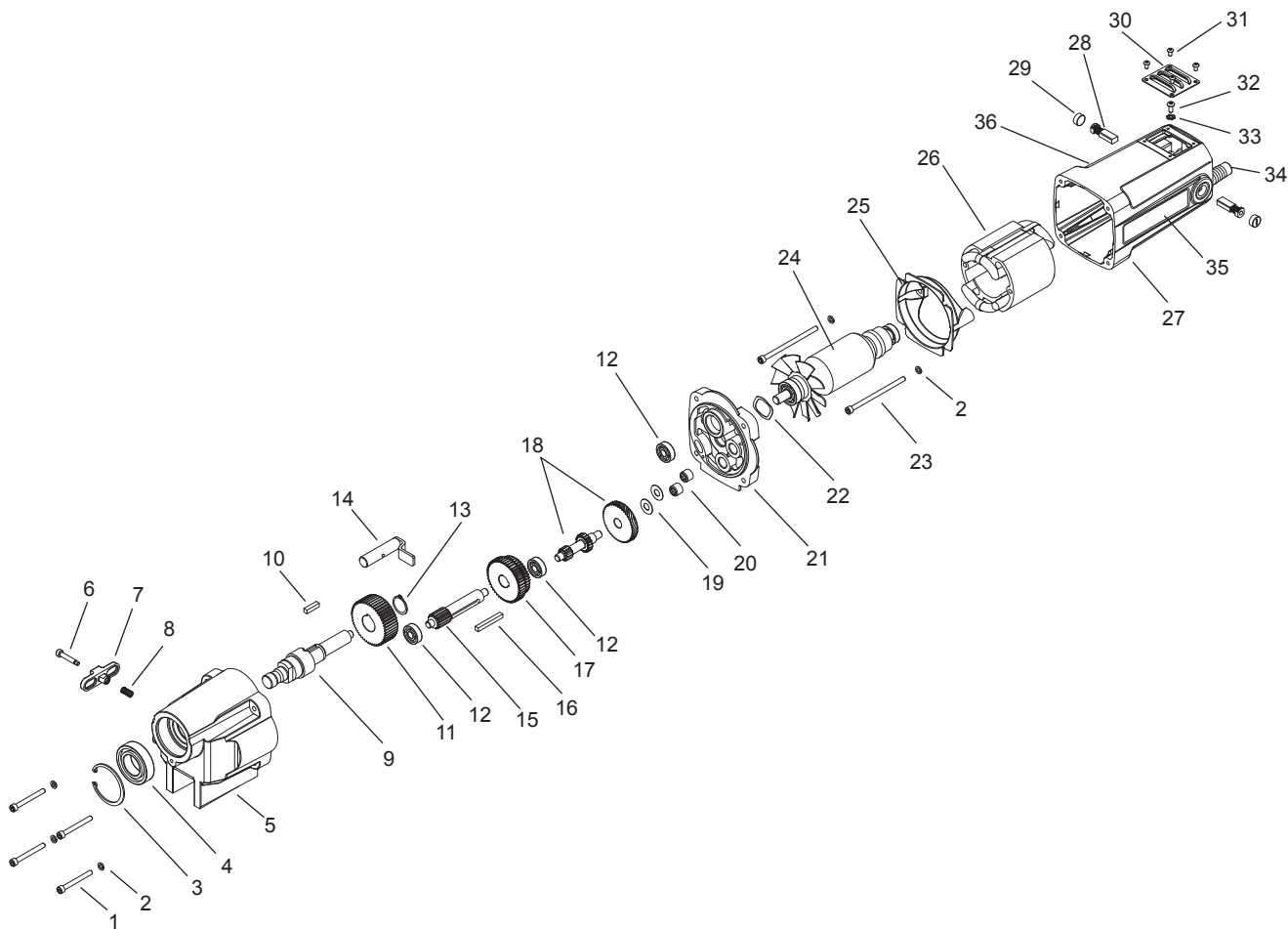
08882 Motor & Slide Assembly			
Item	Part #	Description	Qty
1	08883	Motor Complete Assembly 115V	1
2	40038	SCR BHC #10-32 x 5/8 LG	5
3	10560	Lock Washer Ext. #10	3
4	08062	Bottle Support	1
5	07955	Dovetail Slide	1
6	08001	Rack Gear	1
7	90028	Lock Washer - Helical 1/4	4
8	10624	SCR SHC 1/4-20 x 3/4	4
9	51044	SCR SHC #1-32 x 1-1/4	1

**SWIVEL BASE MAGNET ASSEMBLY BREAKDOWN**



08100 Swivel Magnet Assembly			
Item	Part #	Description	Qty
1	07216	Plug Hole	4
2	05659	Clamp Handle Assembly	1
3	08094	Swivel Plate	1
4	02898	Dowel Pin	1
5	08095	Slide Plate	1
6	05743	SCR FHC 1/4-20 x 3/4 LG	6
7	07215	Bushing - Flange	1
8	05658	Pivot - Rod	1
9	90237	Washer - Flat #10	1
10	41044	SCR BHC #10-32 x 3/8 LG	1
11	05652	Safety Switch Assy	1
12	08101	Magnet & Safety Switch Assy	1
	05653	Plunger (not shown)	1
13	24144	D - Ring	1
14	41046	SCR SHC #10-32 x 1/2" LG	4
15	07887	Plate - Retaining Ring	1
16	07230	Label - Swivel Warning	1

# MOTOR PARTS DIAGRAM



## 07952 Motor Assembly

Item	Part #	Description	Qty	Item	Part #	Description	Qty
1	08234	SCR SHC #10-32 X 1-5/8 LG	4	21	07969	Gear Box Cover	1
2	50038	Washer - Lock Helical #10	6	22	08070	Washer - Spring	1
3	07860	Retaining Ring	1	23	08025	SCR - SHC #10-32 x 3-1/4 LG	2
4	40274	Bearing 25mm x 47mm x 12mm	1	24	07956	Armature Assembly	1
5	07966	Gear Box Housing	1	25	07958	Baffle	1
6	08069	SCR - Shslid 3/16 x 7/8	1	26	07957	Field	1
7	07908	Switch	1	27	07953	Motor/Brush Holder Assembly	1
8	07910	Spring - Comp	1	28	07961	Carbon Brushes	2
9	07976	Spindle - Motor Drive	1	29	07960	Brush Holder Cap	2
10	07904	Key - 3/16 x 3/16 x 3/4	1	30	07848	Cover - Brush Access	1
11	07975	Gear Spur Removable - 49 Tooth	1	31	02385	SCR BHC #6-32 x 1/4	4
12	24100	Ball Bearing	3	32	41042	SCR BHC #8-32 x 3/8 LG	1
13	24160	Retaining Ring	1	33	10538	Washer - Lock #8	1
14	07977	Shift Control Rod Arm	1	34	08336	Motor Cord	1
15	07974	Gear Spur Removable - 15 Tooth	1	35	08855	Motor Label	1
16	07978	Key - 3/16 x 3/16 x 1-1/2	1	36	08856	Motor Specs Label	1
17	08698	Assembly - Change Gear 350/650	1				
18	08164	Assembly - Gears #2 & #3	1				
19	17610	Washer - Flat 8mm	2				
20	07903	Needle Bearing	2				