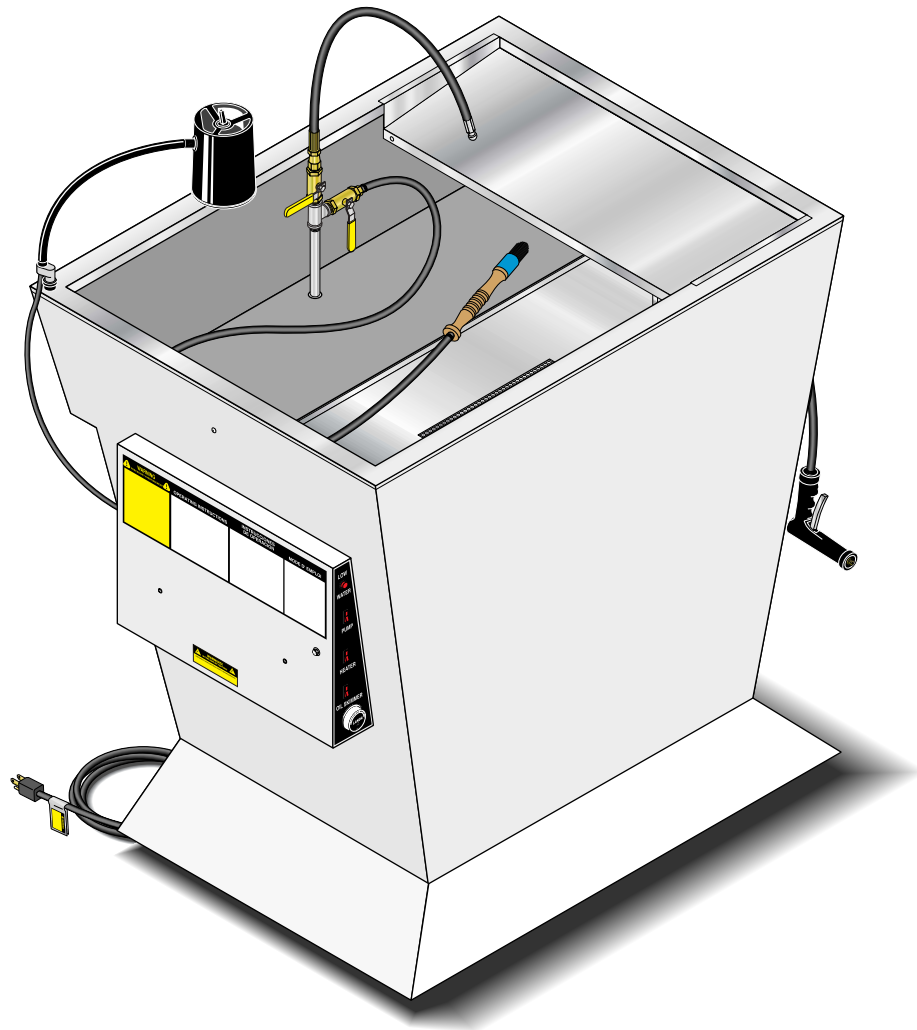




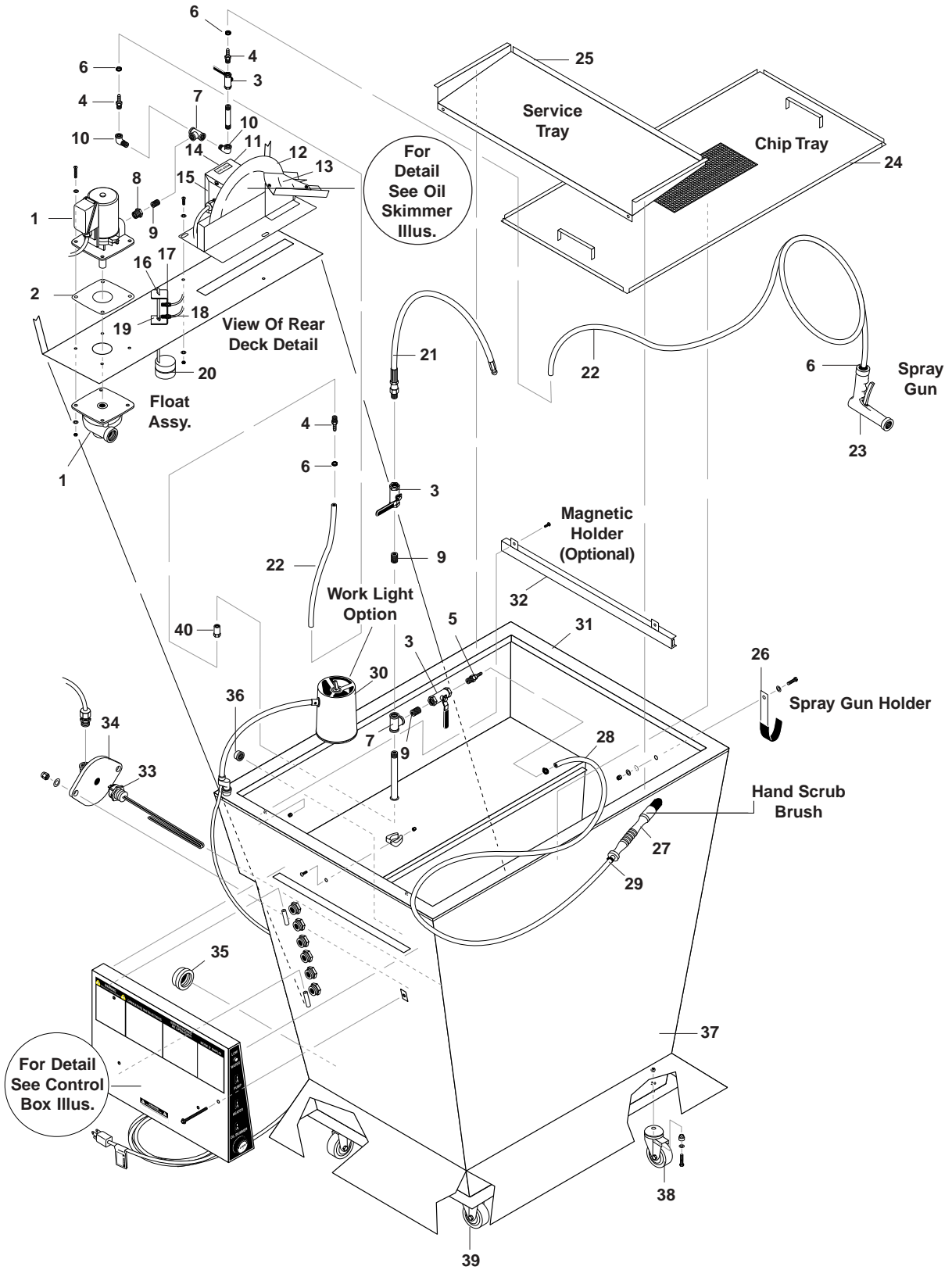
SM-3626

PARTS WASHER

■ SM-3626



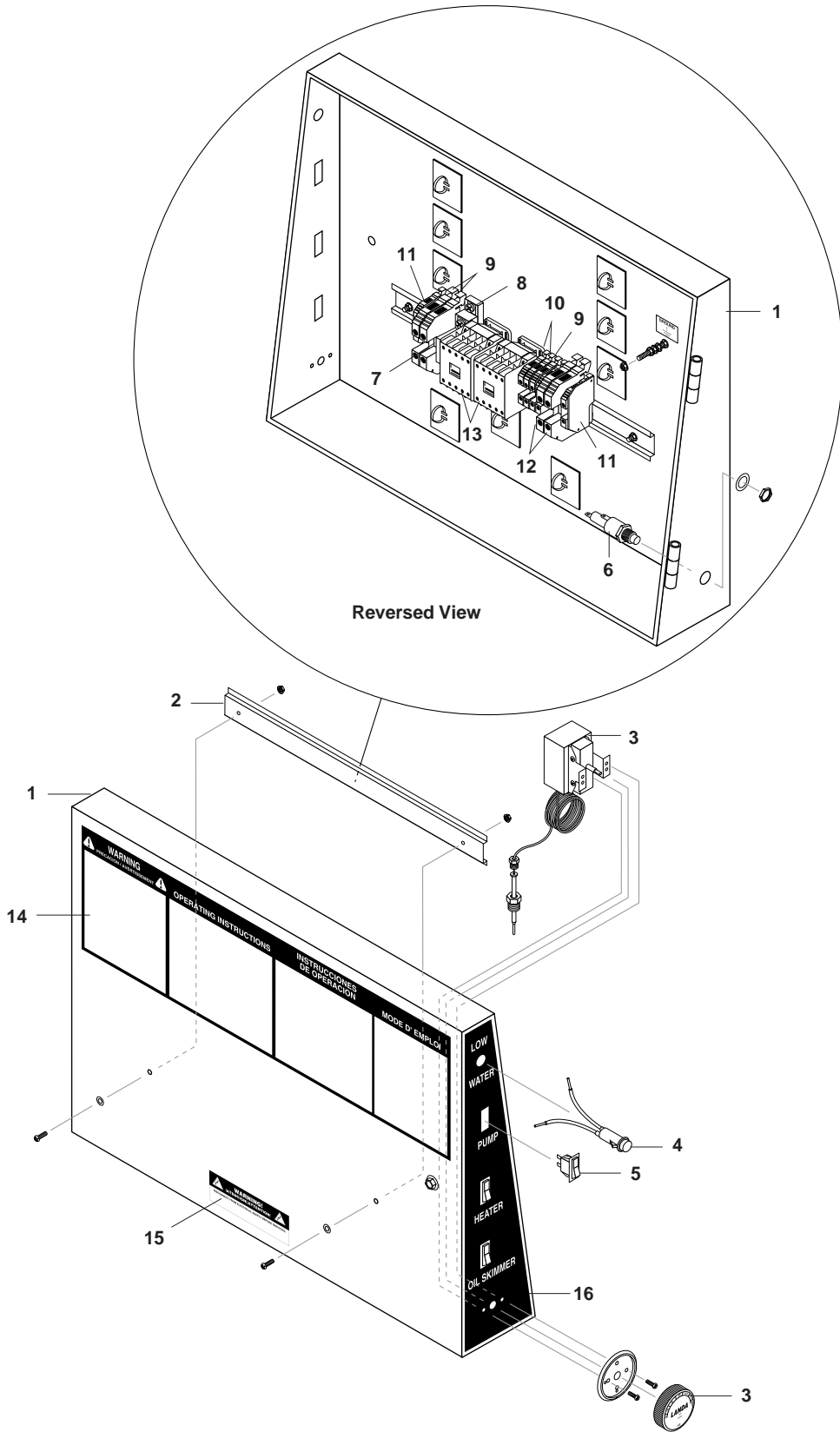
EXPLODED VIEW



EXPLODED VIEW PARTS LIST

ITEM	PART NO.	DESCRIPTION	QTY	ITEM	PART NO.	DESCRIPTION	QTY
1	5-23416	Pump, 1/16 HP, 115V 1 PH	1	23	4-01925	Nozzle, Garden Hose Lever Act.	1
2	2-008810	Gasket, Pump	1	24	95-04-9045SS-ADrain Pan Screen, SS		1
3	2-30024	Ball Valve, 3/8", 2-Way Pipe, Brass	3	25	95-04-9145SS-CParts Tray		1
4	2-008812	Pipe, Barbed/Male NPT 3/8" x 3/8"	3	26	95-071010008	Hook Support, Plastic Coated	1
5	2-008813	Pipe, Barbed/Male, NPT 3/8" x 1/4"	1	27	9-5003	Brush, Flow Through	1
6	2-90460	Clamp, Crimp, 5/8"	4	28	4-02100002	Hose, 5/16" Push-On	7.5 ft.
7	2-008824	Pipe, Tee, 3/8" Galvanized	2	29	2-90096	Clamp, Crimp 1/2"	2
8	2-008814	Pipe, Bushing, 1/2" x 3/8", Galvanized	1	30	200.444	Lamp, Overhead	1
9	2-008821	Pipe, Nipple, 3/8" x Close	3	31	95-071010016	Tank, Assy Model 205	1
10	2-008823	Pipe, Street, 3/8", 90°	2	32	200.445	Magnetic Tool Holder	1
11	500.688	Cover, Oil Skimmer	1	33	6-1030	Heating Element, 1250W 120V	1
12	95-0749202	Disc, Oil Skimmer	1	34	95-04-9052-B	Cover, Heating Element Box	1
13	95-071010015	Wiper Blade, Skimmer	2	35	2-008815	Pipe, Cap, 1-1/2"	1
14	10-10004	Decal, Keep Dry	1	36	2-008816	Pipe Cap, 1/2"	1
15	5-1097	Motor Disc Skimmer	1	37	10-013	Label, Large	1
16	95-04-8677SS	Mag, Prox Switch, Bracket	1	38	4-031530	Caster, Fixed, 2-1/2"	2
17	6-02071	Switch, Magnetic, Reed Sensor, N/C	1	39	4-031531	Caster, Swivel, 2-1/2"	2
18	6-02072	Switch, Magnetic, Reed Sensor, N/O	1	40	2-00231	Coupling, Pipe, 1/2"	1
19	6-02073	Magnet, Reed Sensor, Target	1				
20	2-010212	Float, Poly Cylindrical	1				
21	4-029001001	Hose, Flexible, PVC	1				
22	4-029001000	Hose, 3/8"	9.04 ft.				

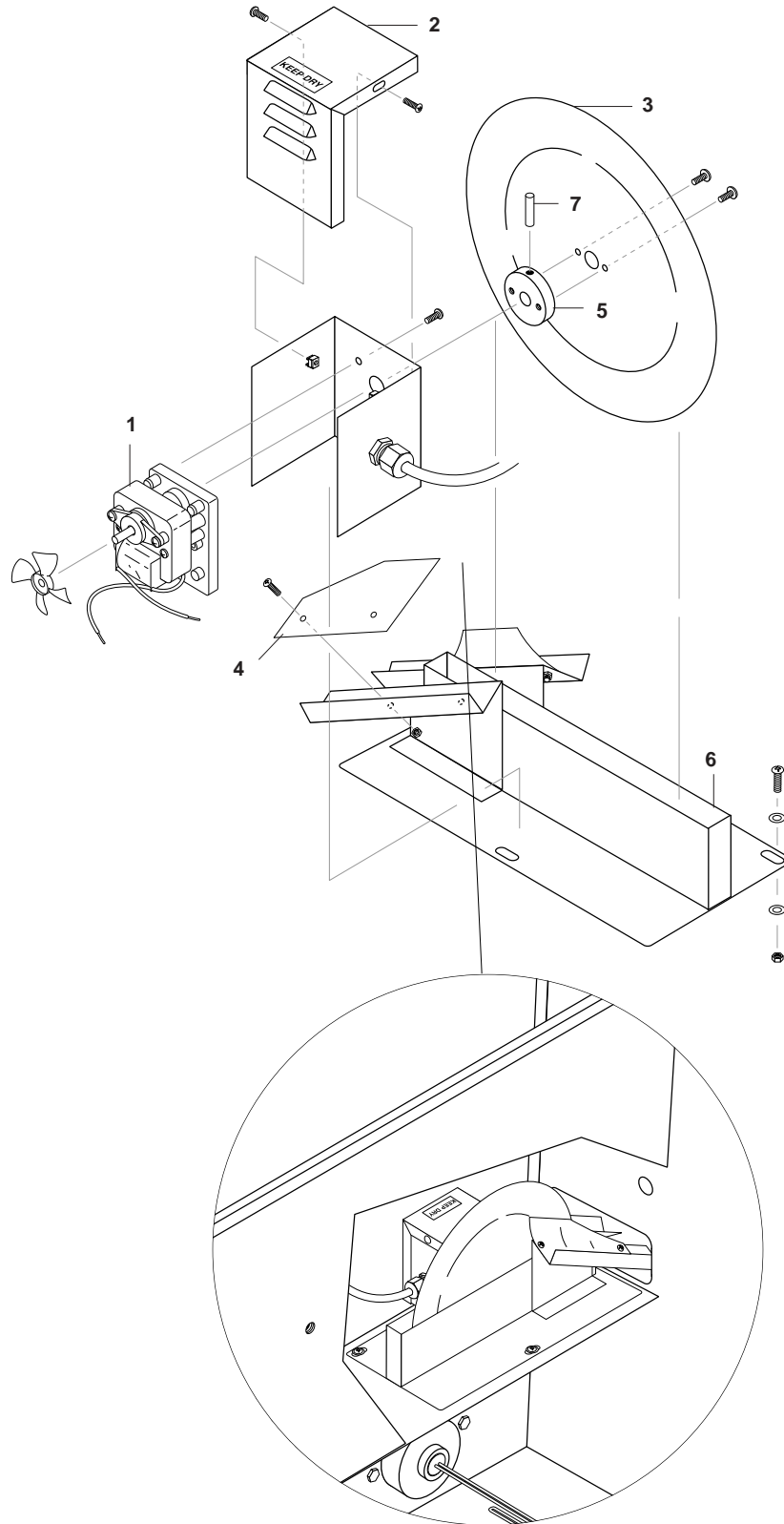
CONTROL PANEL EXPLODED VIEW



CONTROL PANEL PARTS LIST

ITEM	PART NO.	DESCRIPTION	QTY
1	95-04-9052-B	Control, Electric Box	1
2	500.307	Rail, Din, Aluminum	0.81 ft.
3	502.539	Thermostat, 40°-130°F	1
4	501.964	Light, Indicator, Red	1
5	500.787	Switch, Lighted Rocker	3
6	502.377	Fuse Holder, Panel Mount	1
	502.360	Fuse, 2 Amp, Glass	1
7	500.812	Relay, SPDT	1
8	500.820	Base, Relay	1
9	500.803	Terminal Block, Blue	3
10	500.804	Terminal Black, Grey	3
11	500.413	Rail, Din, End Anchor	2
12	502.452	Terminal Block, Grounding	2
13	502.419	Contact, 3 Pole Mini	2
14	10-03010	Label, Ops/Warning	1
15	10-08021	Label, Disconnect Power Supply	1
16	10-03010	Label, Control	1

OIL SKIMMER EXPLODED VIEW



CONTROL PANEL PARTS LIST

ITEM	PART NO.	DESCRIPTION	QTY
1	500.687	Motor Disc Skimmer	1
2	500.688	Cover, Motor Oil Skimmer	1
3	500.218	Disc, Oil Skimmer	1
4	500.349	Wiper Blades, Skimmer	2
5	500.244	Hub Disc Mount	1
6	95-04-5016	Oil Skimmer Box	1
7	90-500342	Pin, Roll, 1/8" x 1", Steel	1