



HW1000S/HW2000S HYDRAWINCH INSTRUCTIONS

REIMANN & GEORGER CORPORATION
HOISTING PRODUCTS
P/N 6102050

BUFFALO, NY
06/15/16

8 PARTS LISTS

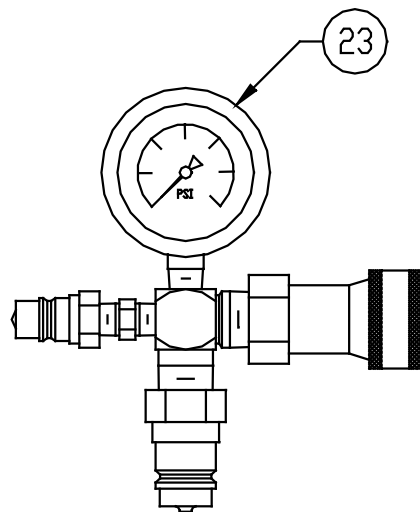
The following parts lists apply to the HydraWinch units only. The parts lists for the associated HS1000, HS2000, and HydraPak units are in the separate manuals for these items. Each item number on these parts lists can be matched with the item number shown on the Figure 8-1 assembly drawing.

8.1 HW1000S HYDRAWINCH

REF #	PART #	QTY	DESCRIPTION
1	1000785	1	WINCH FRAME
2	1000790	1	DRUM GUARD
3	6000759	1	GAGE PORT ADAPTER
4	1000981	1	LOCKING ARM
5	1006589	1	VALVE GUARD
6	6010756	1	MOTOR LOCK VALVE
7	6000919	1	COUPLING FEMALE
8	1001606	1	PILLOW BLOCK MOUNT
9	5100925	1	PILLOW BLOCK BEARING
10	1005309	1	WINCH DRUM GUARD
11	6000920	1	COUPLING MALE
12	1000984	1	DRUM ASSEMBLY
13	7304346	1	WIRE ROPE 1/4" X 150 FT.
14	7300348	1	SHACKLE 1 TON
15	7314700	1	SWIVEL HOOK WITH LATCH
16	1004157	1	HYDRAULIC TUBE
17	1000978	1	SPROCKET GUARD
18	1004848	1	SPRING MOUNT
19	6500816	1	HYDRAULIC MOTOR
20	0810962	1	HYDRAULIC RAM
21	5800961	1	SPRING
22	5806387	2	JAM NUT
23	1604760	1	PRESSURE TEST KIT (OPTIONAL)
	7400896	1	SEAL KIT FOR RAM (OPTIONAL)
24	5000100	1	LOCKING ARM PIVOT BOLT
25	1004155	1	SPRING STUD

8.2 HW2000S HYDRAWINCH

REF #	PART #	QTY	DESCRIPTION
1	1000785	1	WINCH FRAME
2	1000790	1	DRUM GUARD
3	6000759	1	GAGE PORT ADAPTER
4	1000981	1	LOCKING ARM
5	1006589	1	VALVE GUARD
6	6010756	1	MOTOR LOCK VALVE
7	6000919	1	COUPLING FEMALE
8	1001606	1	PILLOW BLOCK MOUNT
9	5100925	1	PILLOW BLOCK BEARING
10	1005309	1	WINCH DRUM GUARD
11	6000920	1	COUPLING MALE
12	1000984	1	DRUM ASSEMBLY
13	7304350	1	WIRE ROPE 1/4" X 200 FT.
14	7300348	1	SHACKLE 1 TON
15	7314700	1	SWIVEL HOOK WITH LATCH
16	1004157	1	HYDRAULIC TUBE
17	1000978	1	SPROCKET GUARD
18	1004848	1	SPRING MOUNT
19	6500763	1	HYDRAULIC MOTOR
20	0810962	1	HYDRAULIC RAM
21	5800961	1	SPRING
22	5806387	2	JAM NUT
23	1604760	1	PRESSURE TEST KIT (OPTIONAL)
	7400896	1	SEAL KIT FOR RAM (OPTIONAL)
24	5000100	1	LOCKING ARM PIVOT BOLT
25	1004155	1	SPRING STUD



PRESSURE TEST KIT

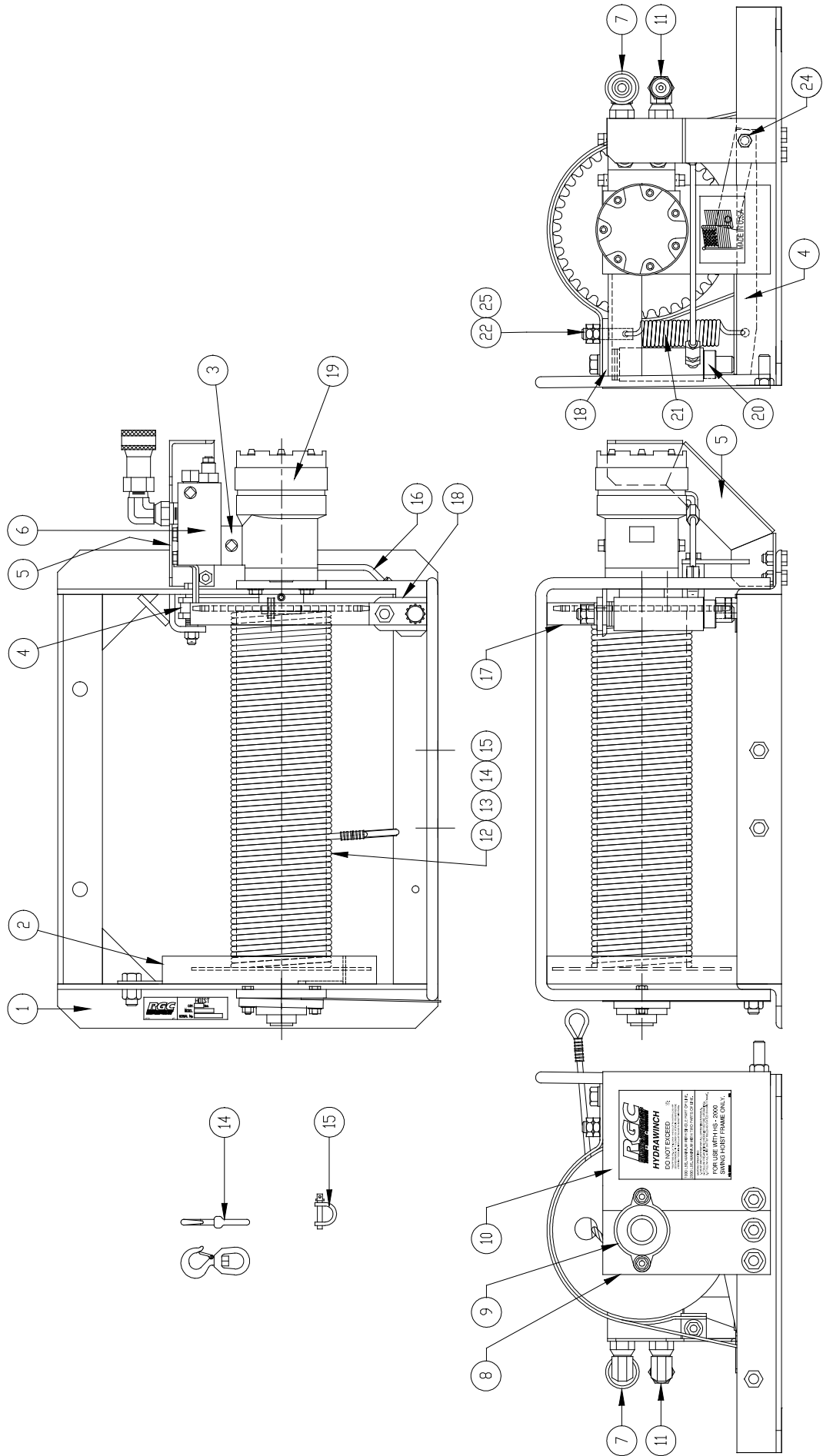


Figure 8-1.
Hydra Winch Assembly Drawing