

Figure 11 - Machine Assembly, Left Side View

Ref.No.	Part No.	Description	Qty.
1	375454	Chassis	1
2	Fig. 14	Control Box Assembly	1
3	Fig. 15	Pump Assembly	1
4	■	Flat Washer 5/16"	4
5	■	Bolt 5/16"-24 x 3/4"	4
6	Fig. 17	Assembly Fuel Tank	1
7	834153	Decal Fuel Type	1
8	948461	Fuel Tank Strapping	2
9	826167	Strain Relief	2
10	703127	Strain Relief Nut	2
11	983013	Wheel	4
12	■	Flat Washer 5/8"	8
13	848616	Push Nut	4
14	817322	Hubcap	4

Ref.No.	Part No.	Description	Qty.
15	813169	Battery Box	1
16	Fig. 18	Coil Inlet Assembly	1
17	834154	Decal Winterize	1
18	444469	Decal Shark Detergent	1
19	444470	Decal Customer Service	1
20	646089	Decal Warnings	1
21	829980	Shark Logo Plate	2
22	926598	Rivet	8
23	824115	Vent Clip	4
24	213044	Burner Exhaust Vent	1
25	860102	Retaining Ring	1
26	268004	Insulation	1

■ Standard hardware item available locally.

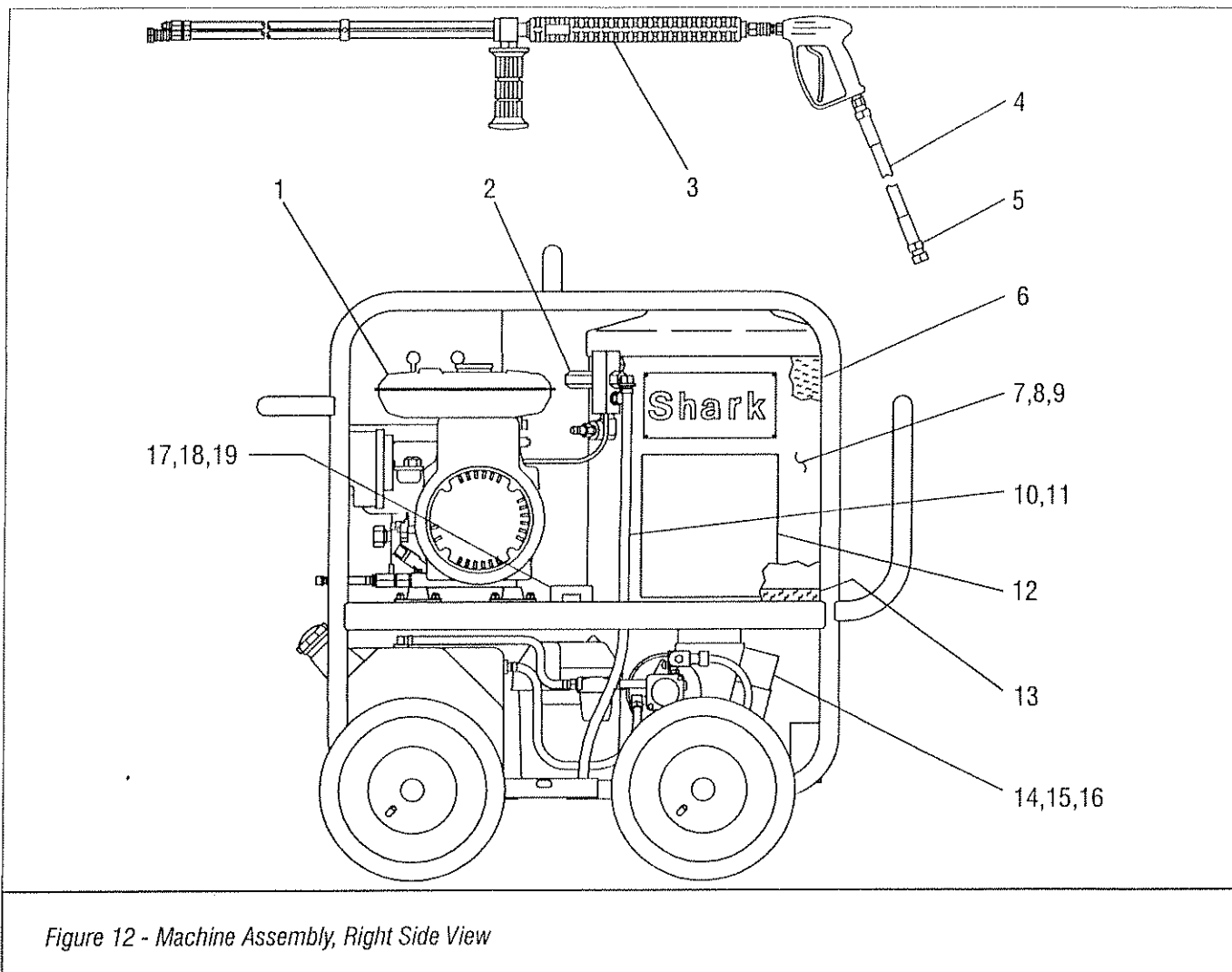


Figure 12 - Machine Assembly, Right Side View

Ref.No.	Part No.	Description	Qty.
1	Fig. 19	Engine/Oil Drain Assembly	1
2	Fig. 20	Coil Outlet Assembly	1
3	Fig. 21	Trigger Gun/Dual Lance Wand	1
4	707226	Pressure Hose	1
5	826176	Quick Disconnect	1
6	268006	Insulation	1
7	375444	Coil Tank (721B)	1
	375449	Coil Tank (721SS)	1
8	■	Fender Washer 5/16"	4
9	■	Flange Nut 5/16" - 18	4
10	961532	Tubing 3/8"	*

Ref.No.	Part No.	Description	Qty.
11	823987	Hose Clamp	1
12	646047	Decal Troubleshooting	1
13	213191	Insulation	1
14	Fig. 23	Burner Assembly	1
15	■	Flat Washer 5/16"	3
16	799362	Crownlock Nut 5/16" - 18	3
17	860240	Voltage Regulator	1
18	218186	Regulator Harness	1
19	■	Locknut 1/4" - 20	2
* Order amount needed in feet.			
■ Standard hardware item available locally.			

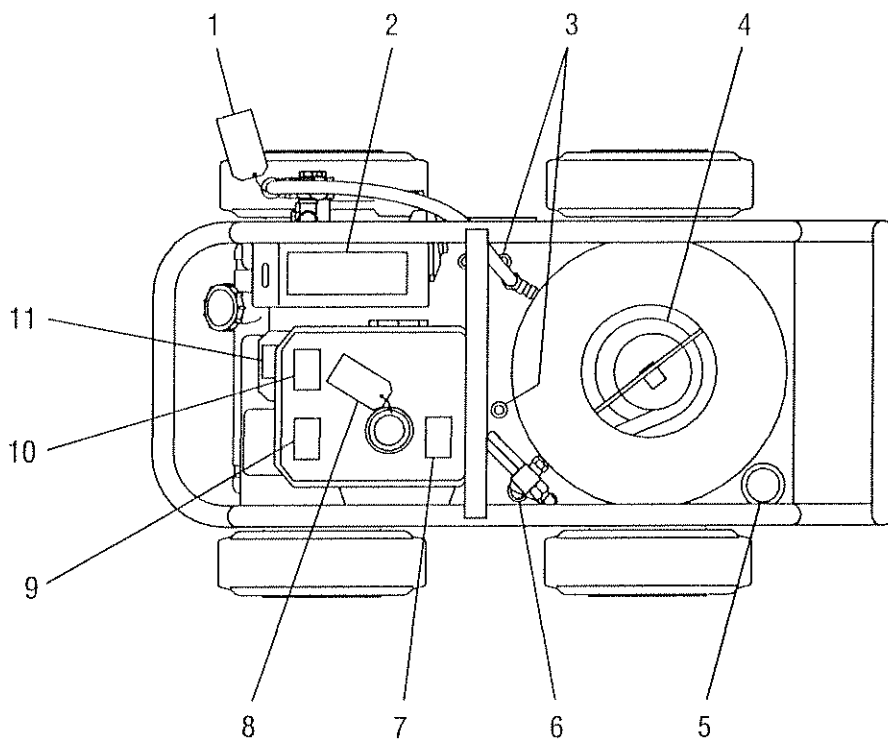


Figure 13 - Machine Assembly, Top View

Ref.No.	Part No.	Description	Qty.
1	890769	Tag Warning Unloader	1
2	646088	Decal Operating Instruction	1
3	859815	Grommet	4
4	226222	Coil	1
5	859806	Grommet	1
6	815329	Snap Bushing	2

Ref.No.	Part No.	Description	Qty.
7	444461	Decal Caution Gasoline	1
8	890783	Tag Gasoline Engine	1
9	232025	Decal Important Battery	1
10	646026	Decal Carbon Monoxide	1
11	646115	Decal Hot Surface	1

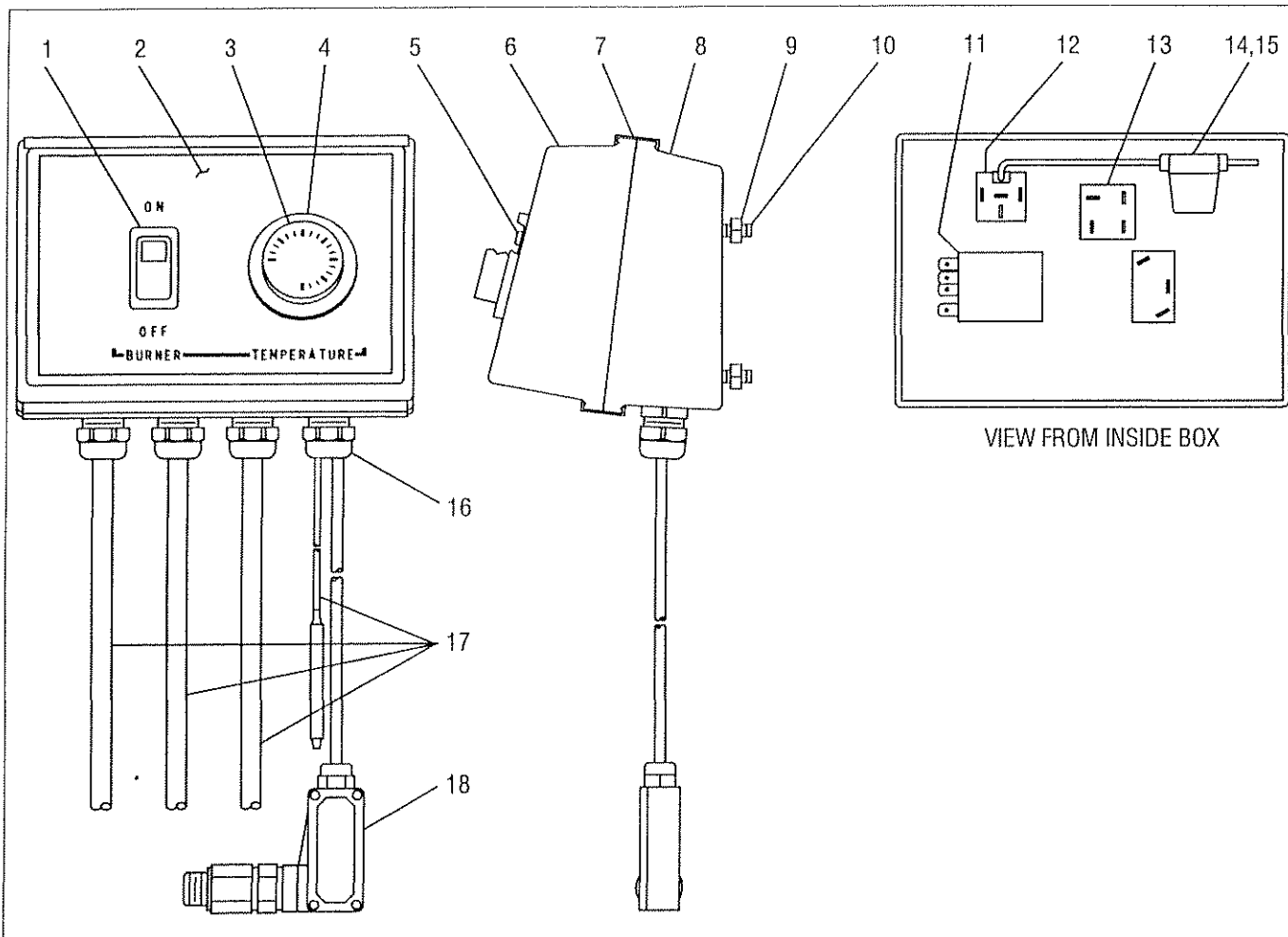


Figure 14 - Control Box Assembly

Ref.No.	Part No.	Description	Qty.
1	875465	Burner Switch	1
2	645932	Decal Control Box	1
3	835150	Thermostat Dial	1
4	915390	Thermostat Mounting Plate	1
5	■	Screw 4mm x 6mm	2
6	615413	Control Box Front	1
7	630649	Channel	2
8	615414	Control Box Back	1
9	■	Locknut 1/4" - 20	4
10	■	Bolt 1/4" - 20 x 3/4"	4
11	955930	Thermostat	1
12	860140	Isolation Relay	1

Ref.No.	Part No.	Description	Qty.
13	645990	Bridge Rectifier	1
14	676638	Fuse 30A	1
15	707146	Fuse Holder	1
16	826184	Strain Relief	4
17	847750	Wire Cover	*
18	▲ 875651	Pressure Switch	1
■ Standard hardware item available locally. * Order amount needed in feet.			
Replacement Parts			
▲	753134	O-Ring Kit	1
▲	875653	Switch	1

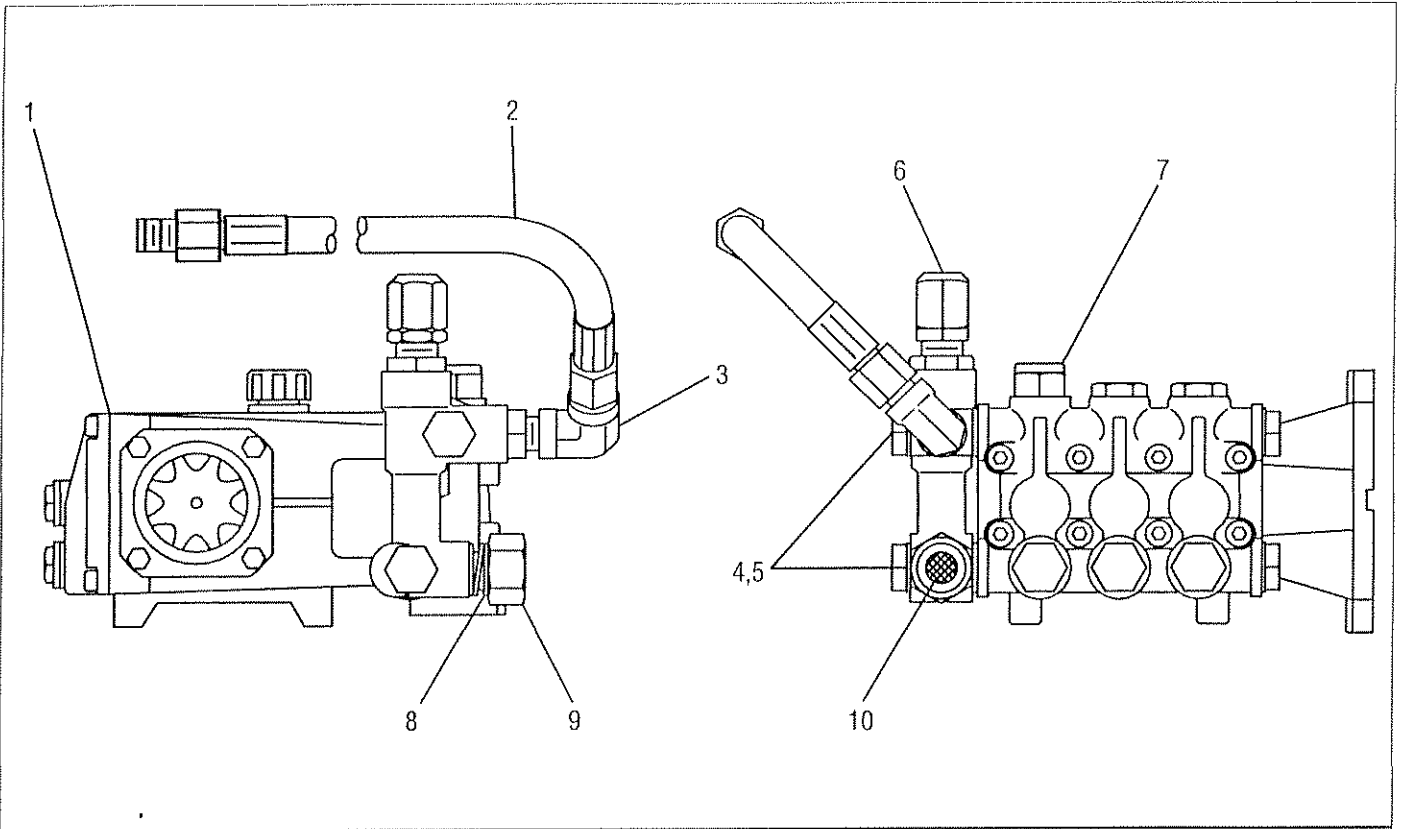


Figure 15 - Pump Assembly

Ref.No.	Part No.	Description	Qty.
1	HS335BR	Pump, Fig. 16	1
2	707221	Hose 3/8" x 24"	1
3	644751	Elbow 3/8"	1
4	651485	Bolt Unloader Valve	2
5	936633	Flat Washer w/Seal	4
6	● 921375	Unloader Valve	1
7	829663	Manifold Plug 3/8"	1

Ref.No.	Part No.	Description	Qty.
8	875575	Garden Hose Connector Spring	1
9	801126	Garden Hose Connector	1
10	856035	Garden Hose Connector Gasket	1
Replacement Parts			
	● 753025	O-Ring Repair Kit	1
	● 753026	Discharge Repair Kit	1
	● 753027	Stem Repair Kit	1

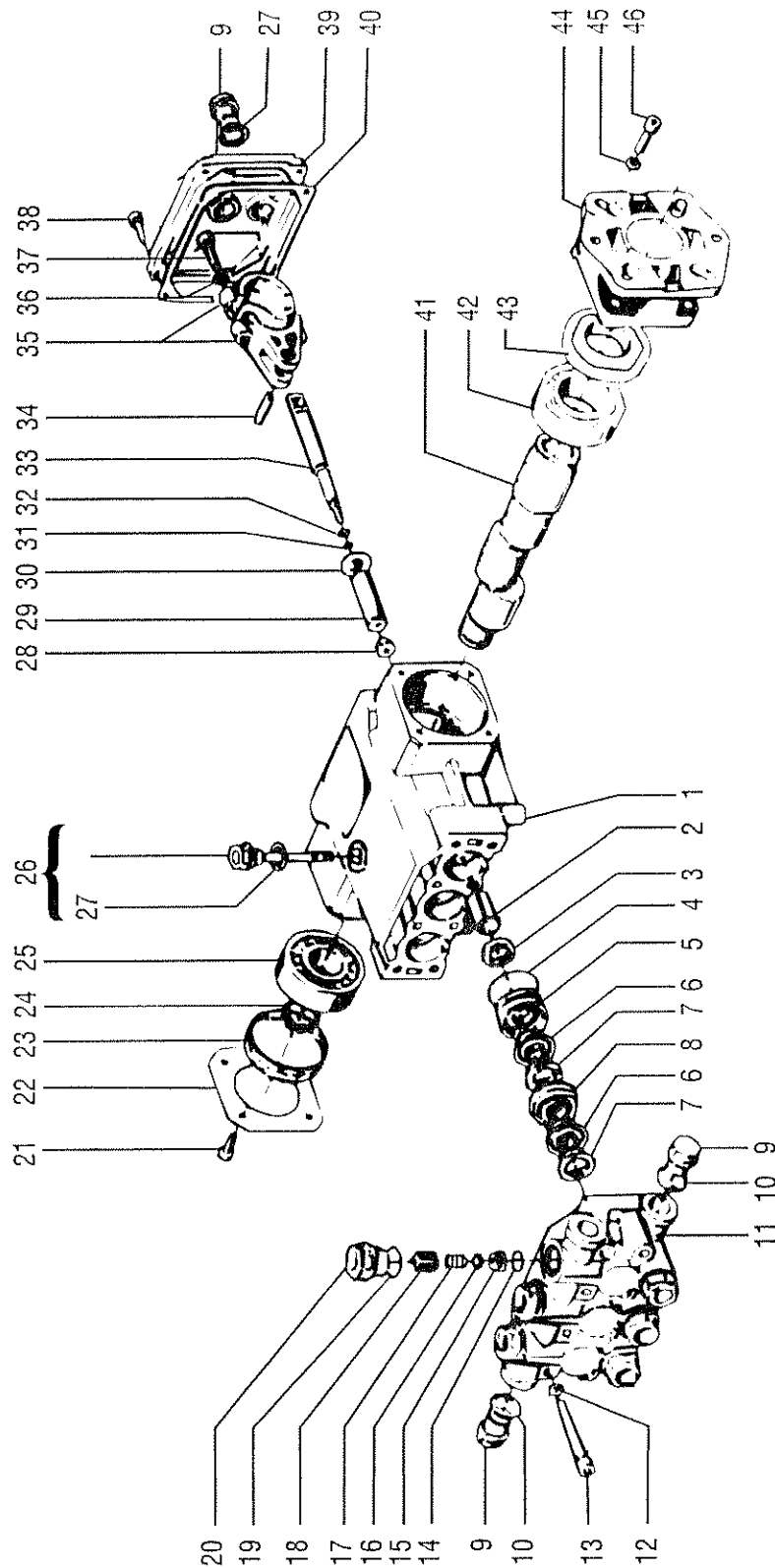


Figure 16 - Pump, Exploded View

Ref.No.	Part No.	Description	Qty.
1	630683	Crankcase	1
2	860361	Plunger Guide	3
3	■ ▼	Plunger Seal	3
4	■ ●	Pressure Ring O-Ring	3
5	■	Pressure Ring (15 mm)	3
6	■ ●	V-Sleeve (15 mm)	6
7	■ ●	Support Ring (15 mm)	6
8	■	Intermediate Ring (15 mm)	3
9	915630	Plug, 3/8"	3
10	780565	Copper Washer, 3/8"	3
11	783854	Manifold Housing	1
12	780560	Washer	8
13	875571	Manifold Stud Bolt	8
14	▲	Valve Seat O-Ring	6
15	▲	Valve Seat	6
16	▲	Valve Plate	6
17	▲	Valve Spring	6
18	▲	Valve Cage	6
19	▲	Manifold Plug O-Ring	6
20	823335	Manifold Plug	6
21	875572	Hex Screw	4
22	615488	Bearing Cover	1
23	878575	Sight Glass	1
	818575	Sight Glass O-Ring	1
24	860141	Crankshaft Snap Ring	1
25	808895	Ball Bearing	1
26	814210	Oil Dipstick	1

Ref.No.	Part No.	Description	Qty.
27	855893	Gasket, 3/8"	2
28	◆	Plunger Nut	3
29	◆	Ceramic Plunger Sleeve (15 mm)	3
30	◆	Copper Spacer	3
31	◆	Plunger Rod O-Ring	3
32	◆	Teflon Ring	3
33	829669	Plunger Rod	3
34	860142	Connecting Rod Pin	3
35	630688	Connecting Rod Assembly	3
36	780564	Spring Washer	6
37	878197	Allen Screw	6
38	735313	Crankcase Cover Allen Screw	5
39	827324	Crankcase Cover	1
40	855889	Crankcase Cover Gasket	1
41	630685	Crankshaft	1
42	617639	Ball Bearing	1
43	630684	Crankshaft Seal	1
44	600127	Mounting Flange	1
45	780561	Washer	4
46	876152	Mounting Flange Screw	4
Replacement Parts			
	●	753701 Seal Packing Kit (15 mm)	1
	■	753037 Complete Seal Packing Kit (15mm)	3
	▲	753039 Complete Valve Assembly Kit	6
	▼	877655 Plunger Seal Kit	1
	◆	753040 Ceramic Sleeve Kit (15 mm)	3

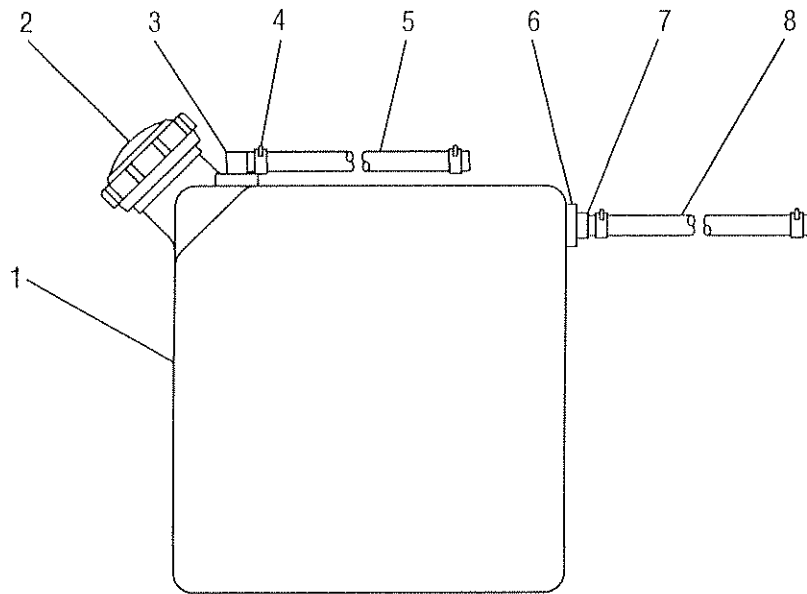


Figure 17 - Fuel Tank Assembly

Ref.No.	Part No.	Description	Qty.
1	952725	Fuel Tank	1
2	817312	Fuel Tank Cap	1
3	661277	Elbow 1/4" Hose x Stand Pipe	1
4	823988	Hose Clamp	4
5	707116	Hose 1/4" Green	*

Ref.No.	Part No.	Description	Qty.
6	815230	Bushing	2
7	309294	Nipple 3/8" Hose x 1/4" Hose	1
8	867368	Hose 1/4" Black	*
* Order amount needed in feet.			

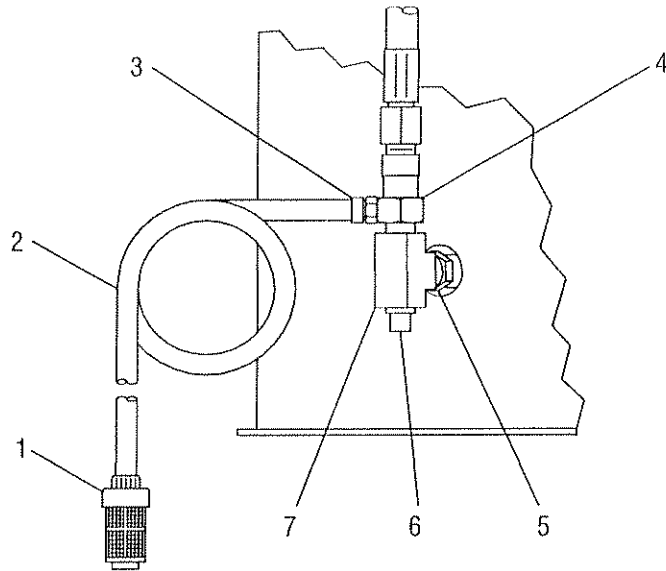


Figure 18 - Coil Inlet Assembly

Ref.No.	Part No.	Description	Qty.
1	935159	Filter Screen	1
2	961534	Tubing 1/4"	*
3	823989	Hose Clamp	1
4	873594	Detergent Injector	1

Ref.No.	Part No.	Description	Qty.
5	801102	Hex Nipple 3/8" x 1-1/2"	1
6	715744	Coil Drain Plug	1
7	954812	Tee 3/8"	1
* Order amount needed in feet.			

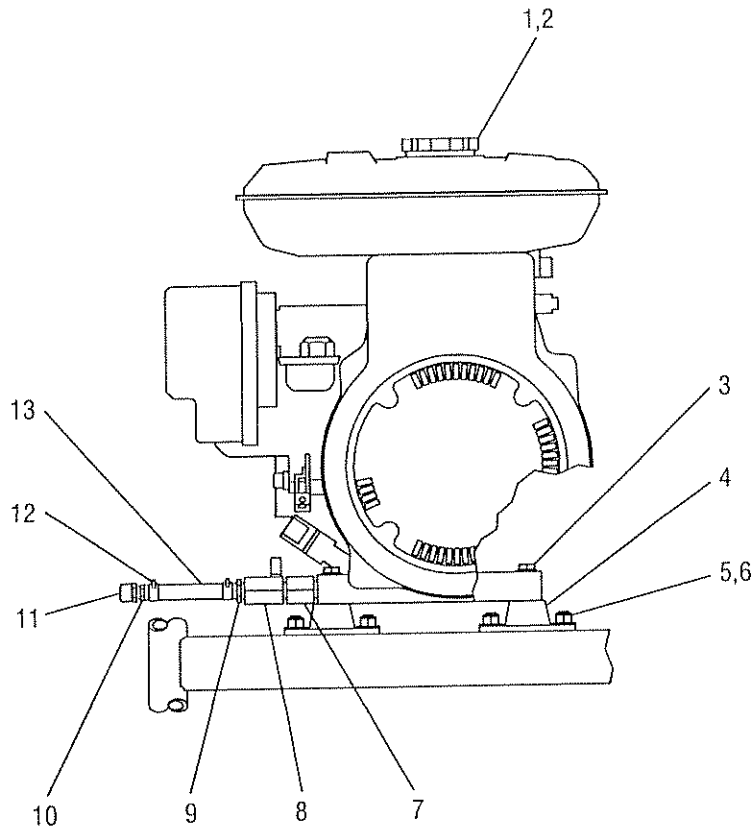


Figure 19 - Engine/Oil Drain Assembly

Ref.No.	Part No.	Description	Qty.
1	661249	Engine 6 HP	1
2	753187	Engine Key	1
3	■	Flange Bolt 5/16" - 18 x 1-1/2"	4
4	784446	Vibration Mounts	4
5	■	Flat Washer 5/16"	8
6	■	Locknut 5/16" - 18	8
7	860282	Reducer 1/4" x M14	1
8	921584	Oil Drain Valve	1

Ref.No.	Part No.	Description	Qty.
9	698020	Nipple 1/4" x 1/4" Hose	1
10	698019	Nipple 1/8" x 1/4" Hose	1
11	630980	Pipe Cap 1/8"	1
12	823988	Hose Clamp	2
13	867368	Hose 1/4"	*

* Order amount needed in feet.
 ■ Standard hardware item available locally.

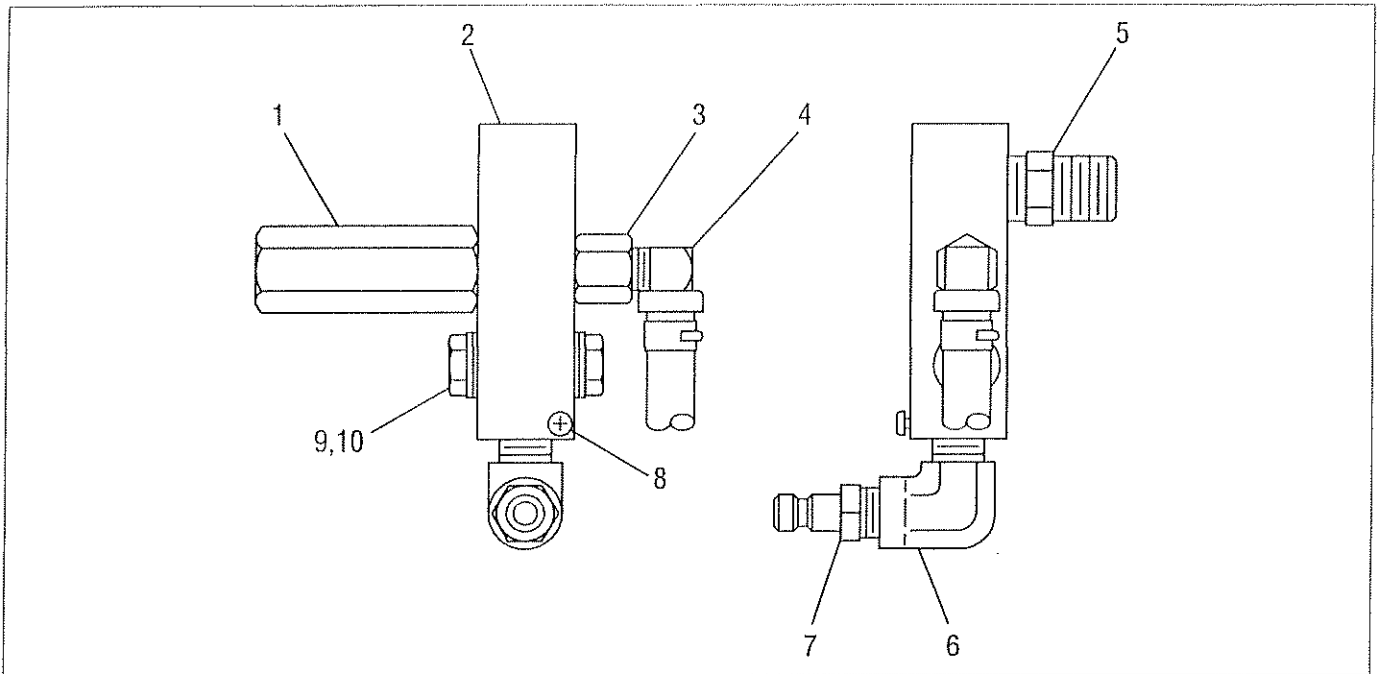


Figure 20 - Coil Outlet Assembly

Ref.No.	Part No.	Description	Qty.
1	630719	Relief Valve Cartridge	1
2	783845	Relief Valve Manifold	1
3	875555	Relief Valve Seat	1
4	799501	Elbow 1/4" x 3/8" Hose	1
5	698247	Hex Nipple 1/2" x 2"	1
6	644802	Street Elbow 3/8"	1

Ref.No.	Part No.	Description	Qty.
7	844806	Quick Disconnect Plug	1
8	■	Screw 4mm x 6mm	1
9	780565	Copper Washer	2
10	915630	Plug 3/8"	2
■ Standard hardware item available locally.			

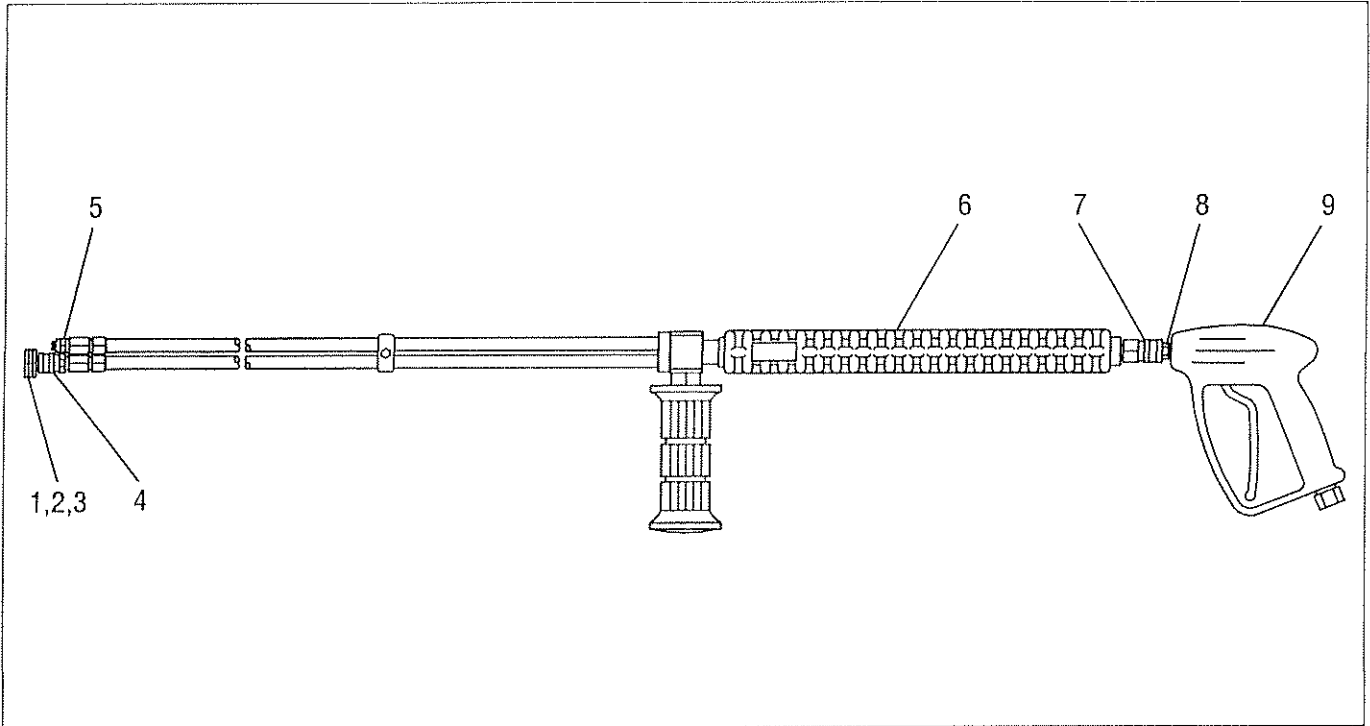


Figure 21 - Trigger Gun/Dual Lance Wand Assembly

Ref.No.	Part No.	Description	Qty.
1	799091	Pressure Nozzle (Red)	1
2	799092	Pressure Nozzle (Yellow)	1
3	799093	Pressure Nozzle (White)	1
4	826170	Quick Disconnect	1
5	900958	Detergent Nozzle	1

Ref.No.	Part No.	Description	Qty.
6	936634	Dual Lance Wand	1
7	826169	Quick Disconnect	1
8	915786	Quick Disconnect Plug	1
9	860447	Trigger Gun, Fig. 22	1

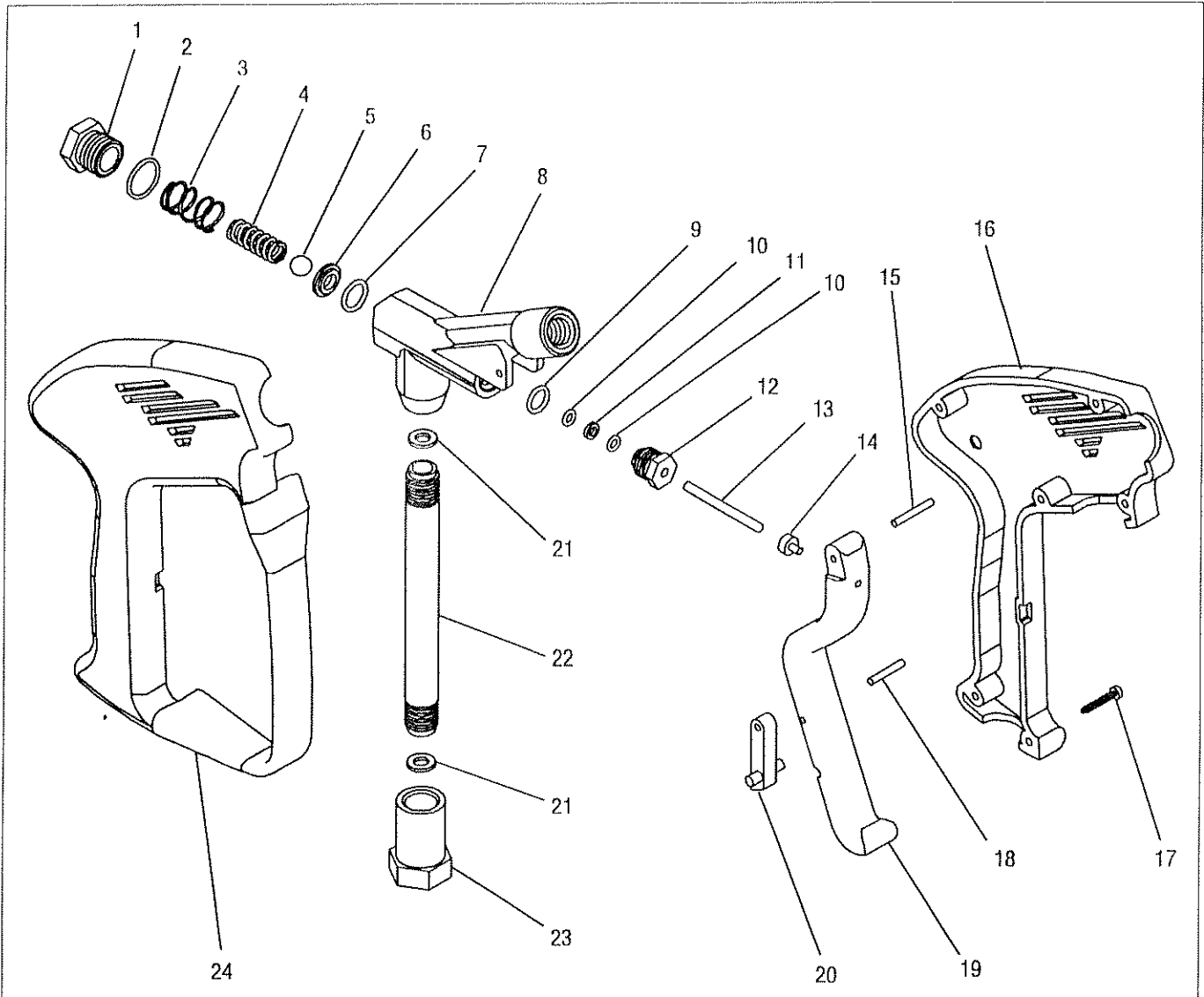


Figure 22 - Trigger Gun, Exploded View

Ref.No.	Part No.	Description	Qty.
1	817320	Valve Cap	1
2	●	Valve Cap O-Ring	1
3	●	Valve Seat Spring	1
4	●	Valve Spring	1
5	●	Ball	1
6	●	Valve Seat	1
7	●	Valve Seat O-Ring	1
8	812801	Valve Body	1
9	●	Plunger Guide Seat O-Ring	1
10	●	Plunger Guide Backring	2
11	●	Plunger Guide O-Ring	1
12	●	Plunger Guide	1
13	●	Plunger Rod	1

Ref.No.	Part No.	Description	Qty.
14	●	Plunger Seat	1
15	914141	Trigger Pin	1
16	860495	Left Gun Shell	1
17	735316	Phillips Screw	6
18	914142	Trigger Lock Pin	1
19	960271	Trigger	1
20	881941	Trigger Lock Lever	1
21	936460	Inlet Pipe Seat	2
22	914285	Inlet Pipe	1
23	851190	Inlet Fitting	1
24	860496	Right Gun Shell	1
Replacement Kits			
	●	877471 Trigger Gun Repair Kit	

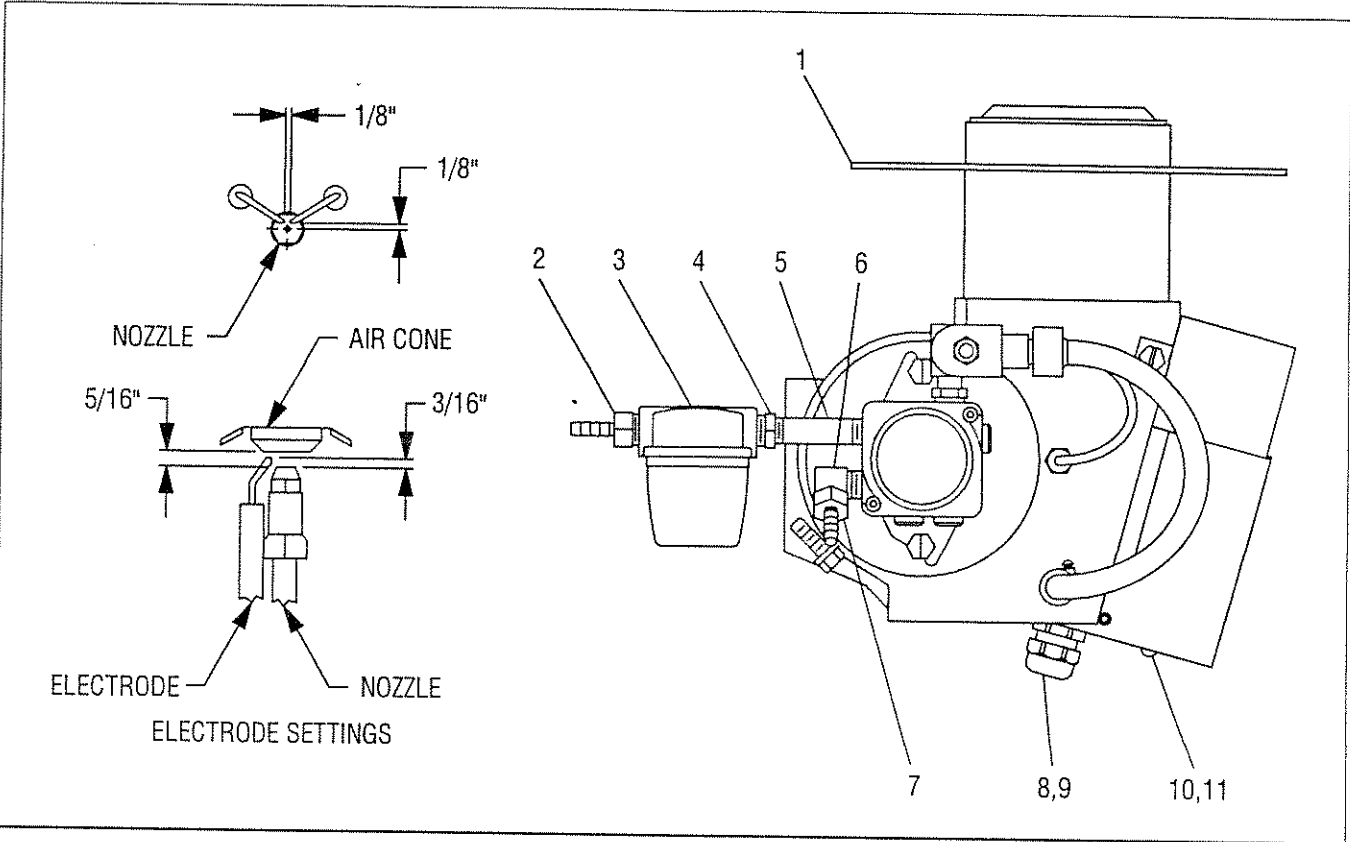


Figure 23 - Burner Assembly

Ref.No.	Part No.	Description	Qty.
1	615850	Burner, Fig. 24	1
2	698023	Nipple 3/8" x 1/4" Hose	1
3	● 851080	Fuel Filter	1
4	615279	Reducer Bushing 3/8" x 1/4"	1
5	698200	Pipe Nipple 1/4" x 2-1/2"	1
6	661257	Street Elbow 1/4"	1
7	698020	Nipple 1/4" x 1/4" Hose	1

Ref.No.	Part No.	Description	Qty.
8	826167	Strain Relief	1
9	703127	Strain Relief Nut	1
10	■	Screw #6 - 32 x 1"	1
11	■	Locknut #6 - 32	1
■ Standard hardware item available locally.			
Replacement Parts			
	● 875490	Filter Element	1

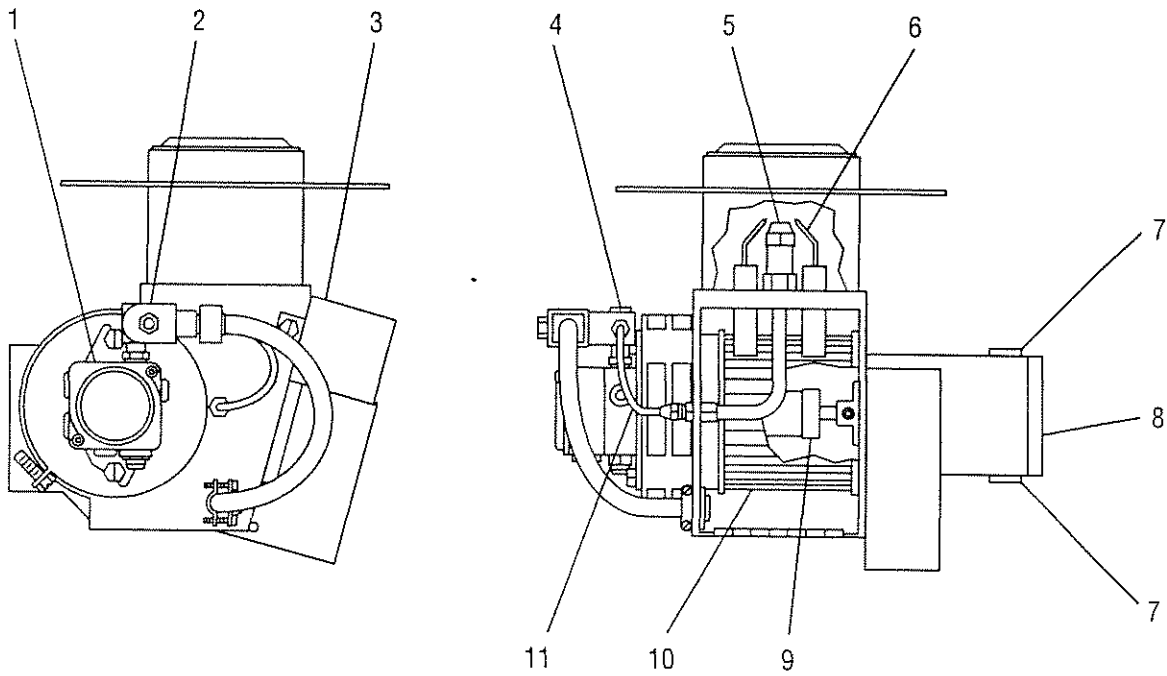


Figure 24 - Burner Parts Breakdown

Ref.No.	Part No.	Description	Qty.
1	919791	Fuel Pump	1
2	944422	Solenoid Valve	1
3	890906	Ignitor	1
4	901230	Solenoid Metering Bolt	1
5	900650	Nozzle	1
6	661302	Electrode (Pair)	1
7	753167	Brush Kit	2
8	784353	Motor	1

Ref.No.	Part No.	Description	Qty.
9	825924	Coupling	1
10	676865	Blower Fan	1
11	880806	Fuel Line	1
N/S	875312	Relay	1
N/S	895312	Timer	1
N/S	890916	Terminal Block	1
N/S	877667	Tune Up Repair Kit	1
N/S = Not Shown.			