



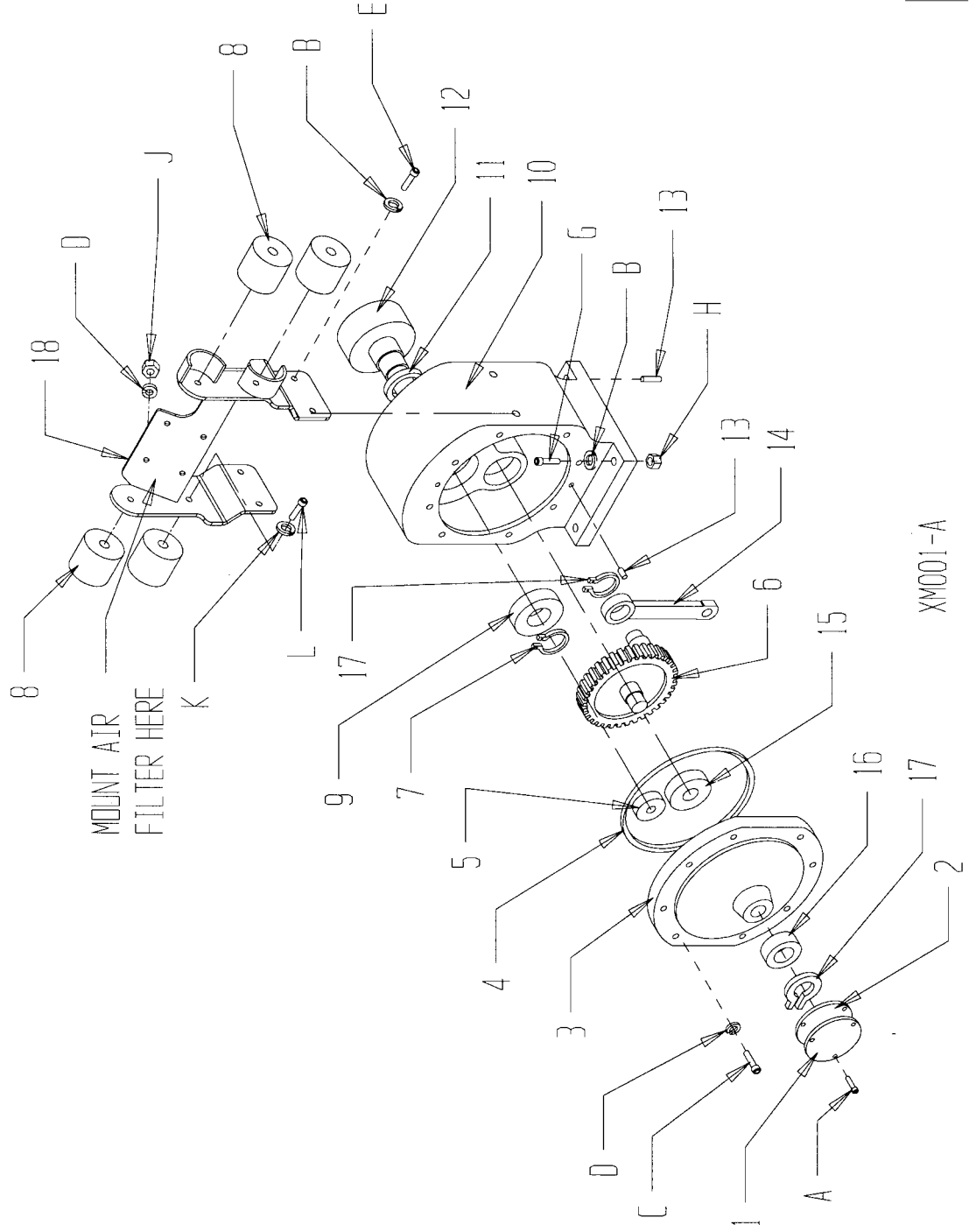
OPERATOR/SERVICE MANUAL

**MODEL: XN650R, XN650ROI, XT728R,
XT728ROI, XM832R, XM832ROI,
XW945R, XW945ROI, XJ834HG,
XD836Y**



**STOMPER® - 2 Cycle Oil Injected and Pre-Mix,
4 Cycle and Diesel**

8.5 Gearcase - XM/XW Oil Injected and Pre-Mix

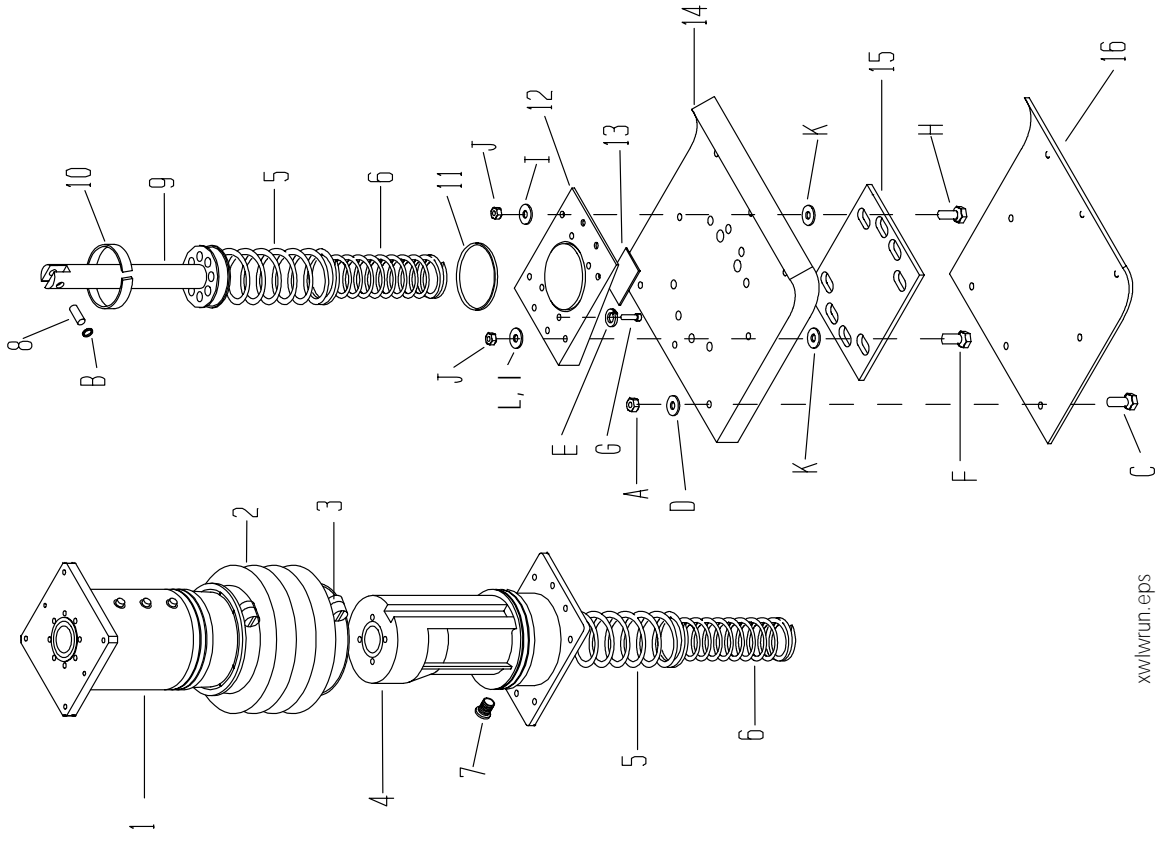


8.5 Gearcase - XM/XW Oil Injected Pre-Mix

Item	Part No.	Description	Qty.	Item	Part No.	Description	Qty.	DIN
1	65029-2	Cap Speed Cover	1	A*	80821	SHCS M5 .8 x 16mm 8.8 ZN	3	912
2	30189	Gasket	1	B	80804	WSHRL M10 Split ZN XM	8	127B
3**	22991	Gearcase Cover Assy	1			WSHRL M10 Split ZN XW	8	127B
4	32216	O-Ring 81D	1	C*	80810	SHCS M8 1.25 x 20mm 8.8 ZN	8	912
5	32023	Bearing - 204	1	D	80812	WSHRL M8 Split ZN	12	127B
6	42638	Gear 70 TH XM	1	E*	80803	SHCS M10 1.5 x 25mm 8.8 ZN	4	912
	42637	Gear 72 TH XW	1	G*	80801	SHCS M10 1.5 x 35mm 12.9 BLK XM	4	912
7	30192	Retaining Ring	1	*	80834	SHCS M10 1.5 x 60mm 12.9 BLK XW	4	912
8	65004	Shock Mount	4	H	80833	NUTNY M10 1.5 ZN SW	4	985
9	32213	Bearing - 206	1	J	80817	NUTNY M8 - 1.25	4	985
10	65023-2	Case Machined	1	K	80805	WSHRL M12 Split ZN	4	127B
11#	30193	Seal	1	L	80808	HHCS M12 - 1.75 x 20mm 8.8 ZN	4	933
12	28672	Pinion Assy 10T XM	1					
	28790	Pinion Assy 8T XW	1					
13	80002	1/4 Dowel Pin	3					
14	28658	Connecting Rod Assy	1					
15	32214	Bearing - 307	1					
16	32212	Bearing - 205	1					
17	30191	Retaining Ring	2					
18	44233-2	Weld Handle Bracket	1					

REMARK: # Lube seal with grease when replacing
 ** Gearcase Kit PN 23021 includes 1,3,5,16 & 17
 * Loctite Required

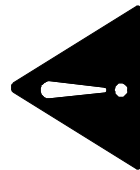
8.11 Lower Unit for XW Oil Injected and Pre-Mix



xw/wrun.eps

8.11 Lower Unit for XW Oil Injected and Pre-Mix

Item	Part No.	Description	Qty.	Item	Part No.	Description	Qty.	DIN
1	65039-2	Guide Tube	1	A	80833	NUTNY M10 - 1.5 ZN	8	985
2	47362	Boot	1	B	80519	Internal Retaining Ring	1	-
3	44106	Boot Clamp	2	C*	80832	FHCS M10 - 1.5 x 70mm 10.9 ZN	8	7991
4	65034-2	Spring Housing Assy	1	D	80806	WSHR M10 x 21 OD ZN	8	125A
5	42487	Spring - Outer	2	E	80804	WSHRL M10 Split ZN	4	127B
6	42488	Spring - Inner	2	F*	80829	HHCS M12 - 1.75 x 100mm 8.8ZN	4	931
7#	34096	Oil Sight Gauge	1	G*	80803	SHCS M10 1.5 x 25mm 8.8ZN	4	912
8	80423	Rod Pin	1	H*	80831	HHCS M12 - 1.75 x 70mm 8.8 ZN	4	931
9	42600	Piston Weld	1	I	80805	WSHR M12 Split ZN	8	127B
10	28694	Piston Ring	1	J	80830	NUTNY M12 - 1.75 ZN	8	925
11	32033	O-Ring	1	K	80835	WSHR M12 x 37 OD ZN	8	9021B
12	65036-2	Base Plate	1	L	80807	WSHR M12 x 24 OD ZN	3	125A
13	55023	Spring Housing Safety Decal	1					
14	65037-2	Wood Shoe	1					
15	42639-2	Shoe Backing Plate	1					
16	65038-2	Shoe Plate	1					



The spring retaining Base Plate retains heavy springs under compression. Follow the instructions (Base Plate Removal located on Page 48 of this manual) carefully or severe personal injury may occur.

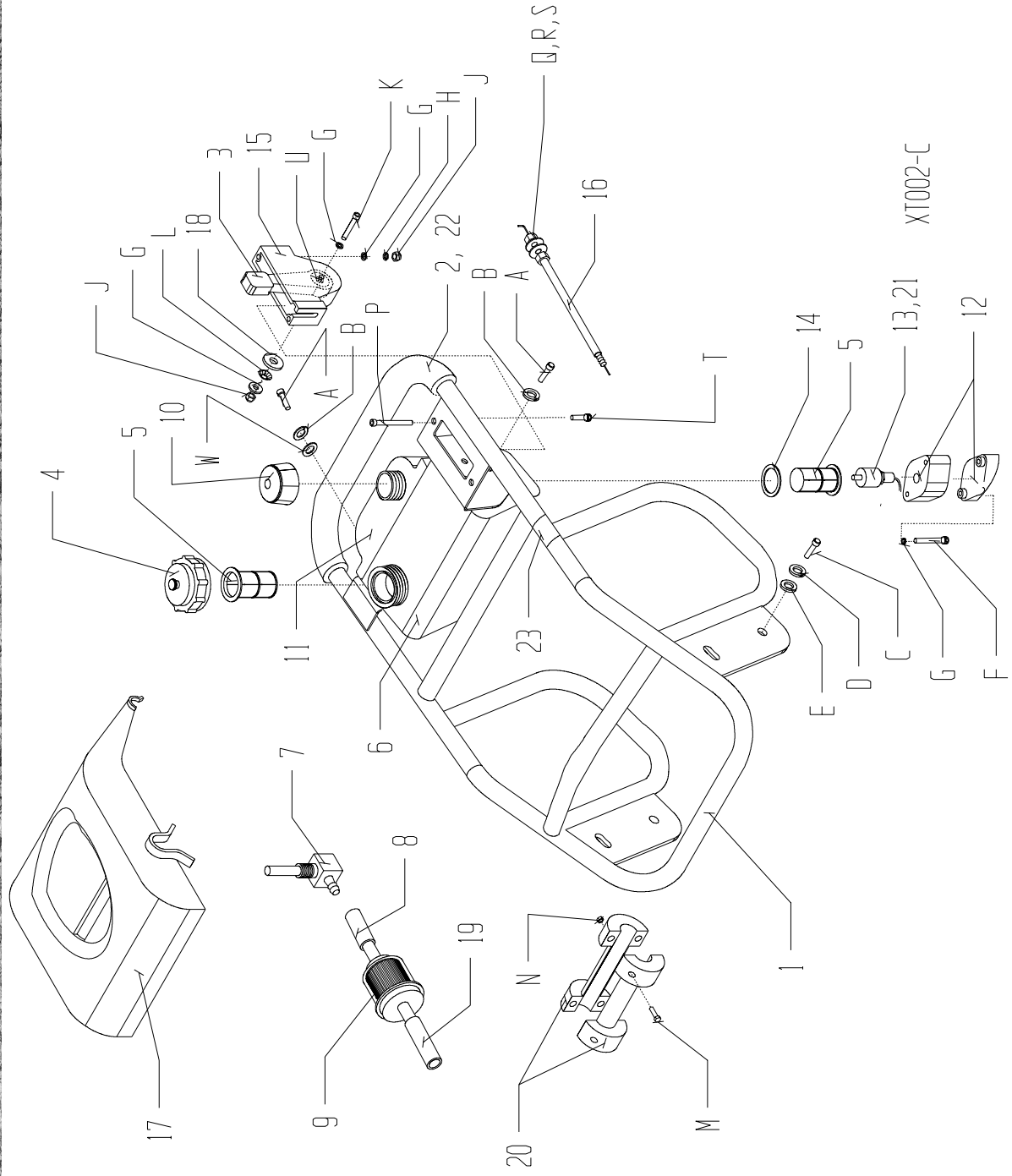
REMARK: # Use of a socket wrench is recommended to avoid damage to the sight gauge.
 * Loctite Required

8.13 Engine - XN, XT, XM & XW Oil Injected and Pre-Mix

Item	Part No.	Description	Qty.	Item	Part No.	Description	Qty.	DIN
1**	23208	Kit EC12 O/I Engine XN	1	A*	80406	HHCS M8 - 1.25 x 20mm 8.8 ZN	4	933
	23209	Kit EC12 O/I Engine XT	1	B	80812	WSHRL M8 Split ZN	4	127B
	23210	Kit EC12 Pre-Mix Engine XN	1	C	80813	WSHR M8 Flat 24 OD ZN	4	9021B
	23211	Kit EC12 Pre-Mix Engine XT	1	D*	80815	HHCS M10 - 1.5 x 30mm 8.8 ZN	4	912
	23212	Kit EC12 O/I Engine XM, XW	1	E	80820	WSHRL M10 Split ZN High Collar (XT)	4	7980
	23213	Kit EC12 Pre-Mix Engine XM, XW	1	F	80820	WSHRL M10 Split ZN High Collar (XM)	6	7980
2	30356	Clutch Robin Honda (XM, XW, XJ)	1	F	80898	PPHST M4.2 x 16 Type C ZN	2	7981
	30308	Clutch (XN & XT)	1	G	80929	WSHRL M4 Split ZN	2	127B
3	23148	Kit Valve/Kill Switch	1	J	80426	WSHR 9/16 Type B ZN	1	-
4	39396	Hose Air Filter (XN)	1	K	80872	SHCS M10-1.5 x 30 8.8 ZN (XM)	2	912
	39397	Hose Air Filter (XT, XM, & XW)	1					
5	35995	Filter/Precleaner Lower EC10/EC12	1					
6	39329	Air Filter Coarse 1st Stage	1					
7	39330	Air Filter Fine 1st Stage	1					
8	39332	Frame Air Filter 1st Stage	1					
9	23144	Air Filter Assy 1st Stage	1					
10	23142	Air Filter Assy Primary	1					
11	35060	Nut M12 - 1.25 (XN & XT)	1					
12	27242	Spacer (XN & XT)	1					
13	39489	Fuel Line 3/16 ID x 2 3/4	1					
14	39502	Clamp Cable .083	1					
15	39478	Fuel Line 3/16 ID x 23" LG	1					

REMARK: * Loctite Required
 ** Kit to include all parts shown fully assembled.

8.17 Handle and Fuel Tank - XT/XM/XW Oil Injected and Pre-Mix



8:21 Decal Identification

◀ STOP
◀ IDLE

START
▶ RUN

55378
Diesel

IDLE

START

RUN

55379
Robin

CAUTION

Hearing protection required when operating this machine.

Read owners manual before operating or servicing this machine.

55326

OPERATING INSTRUCTIONS

Before starting, check oil level in oil tank. Fill with a quality grade two cycle oil.

With engine off, fill fuel tank with regular grade gasoline.

To start engine: Turn ignition/fuel switch to 'ON'; open air vent in fuel tank cap; close choke and pull starter rope.

To stop: Turn ignition/fuel switch to 'OFF' and close fuel cap vent.

See owners manual for additional instructions.

OFF

ON

55322

WARNING

After servicing or repairing unit, make sure oil line is full or engine failure will occur.

55345

AIR FILTER MAINTENANCE

Daily clean filter located on top and the side of the engine.

- Wash foam elements with detergent and water.
- Dry the elements by squeezing between towels.
- Relubricate with engine oil. Squeeze out excess oil and reinstall.

P/N 55337

821 Decal Identification

CAUTION

FUEL OIL

- USE DIESEL FUEL.
- CLEAN FILTER EVERY 500hrs.

LUBE OIL

- SAE 10W30 GRADE CC
- CHANGE LUBE OIL EVERY 100hrs.
- CLEAN FILTER EVERY 100hrs.

STARTING

- CHECK LUBE OIL LEVEL AND FUEL.
- FOR EASY STARTING IN COLD WEATHER, ADD 2cc LUBE OIL TO ROCKER ARM COVER.
- WARM UP WITHOUT LOAD.

STOPPING

- CLOSE FUEL COCK AFTER STOPPING ENGINE.

PN 55325 - Diesel

HOW TO START

1. Open the fuel cock | 2. Put the Lever in the "START" position.
3. Pull the starting handle slowly.
4. Pull until you feel resistance. Then return it slowly.
5. Push the decompression lever down and release.
6. Pull the rope hard and fast.

If the engine doesn't start, try again from 3.

PN55324 - Diesel

CHECK OIL DAILY

USE 30 WT. MOTOR OIL

OIL LEVEL

DO NOT OVERFILL

PN 55053

NOTICE

CONTACT THE MANUFACTURER IMMEDIATELY AT 1-800-888-9926 IF SAFETY OR HAZARD DECALS OR OWNER'S MANUAL ARE MISSING FROM THIS EQUIPMENT. 55156

• Springs Under Compression
• May Cause Injury
• Consult Manual or Manufacturer Before Removing Plate.

1-800-888-9926 55026

ON

OFF

55377