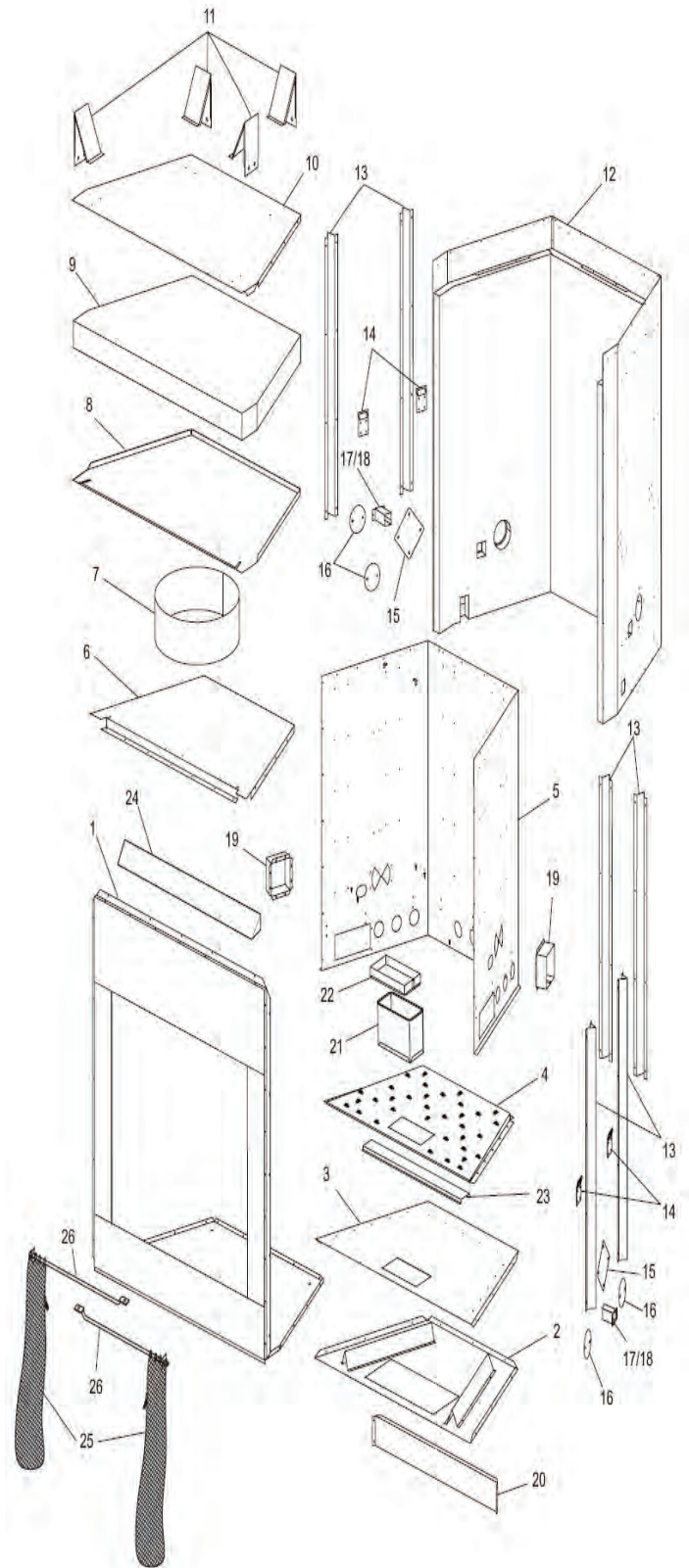


FMI Venetian Masonry Outdoor Vent Free Firebox

MODELS: QM36SR, QM36SI, QM36HR, QM36HI, QM42SR, QM42SI, QM42HR, QM42HI, QM50SR, QM50SI, QM50HR, QM50HI

Part Number	Description	
1	**	Face Assembly
2	**	Firebox Bottom Assembly
3	**	Firebox Bottom
4	120826-01	Hearth Brick Panel, 36"
	120826-02	Hearth Brick Panel, 42"
	120826-03	Hearth Brick Panel, 50"
5	**	Firebox Surround
6	**	Firebox Top
7	**	Insulation Pan Support
8	**	Insulation Pan
9	**	Top Insulation
10	**	Fireplace Top, 36"
	**	Fireplace Top, 42"
	**	Fireplace Top, 50"
11	23490SA	Standoff
12	**	Fireplace Surround Assembly
13	109720-02	Clearance Spacer
14	117891-01	Fireplace Handle Bracket
15	20042	Outside Air Cover Plate
16	21171	Gas Conduit Cover
17	109752-01	Conduit One
18	109752-02	Conduit Two
19	20106	Nailing Strap
20	**	Heat Shield Support
21	123298-01	Ash Box Assembly
22	**	Ash Box Ring
23	**	Hearth Support Brace
24	109511-04	Hood 50" Stainless Steel
	109511-05	Hood 42" Stainless Steel
	109511-06	Hood 36" Stainless Steel
25	117566-03	Screen 36" (2 Required)
	117566-01	Screen 42" (2 Required)
	117566-02	Screen 50" (2 Required)
26	117568-03	Screen Rod 36"
	117568-01	Screen Rod 42"
	117568-02	Screen Rod 50"
BRICK HOUSING PANELS (BRICK NOT INCLUDED)		
	122317-02	36" Full Stack Left
	122319-02	42" Full Stack Left
	122321-02	50" Full Stack Left
	122323-02	36" Full Herringbone Left
	122327-02	42" Full Herringbone Left
	122327-02	50" Full Herringbone Left
	122317-01	36" Full Stack Right
	122319-01	42" Full Stack Right
	122321-01	50" Full Stack Right
	122323-01	36" Full Herringbone Right
	122325-01	42" Full Herringbone Right
	122327-01	50" Full Herringbone Right
	122354-01	36" Full Stack Rear
	122354-02	42" Full Stack Rear
	122354-03	50" Full Stack Rear



	122356-01	36" Full Herringbone Rear
	122356-02	42" Full Herringbone Rear
	122356-03	50" Full Herringbone Rear