

PARTS MANUAL



WHISPERWATT™ SERIES MODEL DCA600SSV 60HZ GENERATOR (VOLVO PENTA TAD1642GE DIESEL ENGINE)

PARTS LIST NO. C5871301004

Revision #1 (02/10/17)



THIS MANUAL MUST ACCOMPANY THE EQUIPMENT AT ALL TIMES.

TABLE OF CONTENTS

DCA600SSV 60 Hz Generator

Parts Ordering Procedures.....	3
Explanation Of Code In Remarks Column.....	4
Suggested Spare Parts	5

Component Drawings

Generator Assembly.....	6-9
Control Box Assembly	10-15
Engine And Radiator Assembly	16-19
Engine Operating Panel Assembly.....	20-21
Output Terminal Assembly.....	22-25
Battery Assembly	26-27
Muffler Assembly	28-29
Fuel Tank Assembly	30-31
Enclosure #1 Assembly	32-35
Enclosure #2 Assembly	36-39
Enclosure #3 Assembly	40-41
Rubber Seal Assembly	42-43
Nameplate And Decals.....	44-47

Terms And Conditions Of Sale — Parts	48
--	----

EXPLANATION OF CODE IN REMARKS COLUMN

The following section explains the different symbols and remarks used in the Parts section of this manual. Use the help numbers found on the back page of the manual if there are any questions.

NOTICE

The contents and part numbers listed in the parts section are subject to change **without notice**. Multiquip does not guarantee the availability of the parts listed.

SAMPLE PARTS LIST

NO.	PART NO.	PART NAME	QTY.	REMARKS
1	12345	BOLT.....	1	INCLUDES ITEMS W/%
2%		WASHER, 1/4 IN.....		NOT SOLD SEPARATELY
2%	12347	WASHER, 3/8 IN....	1	MQ-45T ONLY
3	12348	HOSE	A/R	MAKE LOCALLY
4	12349	BEARING	1	S/N 2345B AND ABOVE

NO. Column

Unique Symbols — All items with same unique symbol

(@, #, +, %, or >) in the number column belong to the same assembly or kit, which is indicated by a note in the “Remarks” column.

Duplicate Item Numbers — Duplicate numbers indicate multiple part numbers, which are in effect for the same general item, such as different size saw blade guards in use or a part that has been updated on newer versions of the same machine.

NOTICE

When ordering a part that has more than one item number listed, check the remarks column for help in determining the proper part to order.

PART NO. Column

Numbers Used — Part numbers can be indicated by a number, a blank entry, or TBD.

TBD (To Be Determined) is generally used to show a part that has not been assigned a formal part number at the time of publication.

A blank entry generally indicates that the item is not sold separately or is not sold by Multiquip. Other entries will be clarified in the “Remarks” Column.

QTY. Column

Numbers Used — Item quantity can be indicated by a number, a blank entry, or A/R.

A/R (As Required) is generally used for hoses or other parts that are sold in bulk and cut to length.

A blank entry generally indicates that the item is not sold separately. Other entries will be clarified in the “Remarks” Column.

REMARKS Column

Some of the most common notes found in the “Remarks” Column are listed below. Other additional notes needed to describe the item can also be shown.

Assembly/Kit — All items on the parts list with the same unique symbol will be included when this item is purchased.

Indicated by:

“INCLUDES ITEMS W/(unique symbol)”

Serial Number Break — Used to list an effective serial number range where a particular part is used.

Indicated by:

“S/N XXXXX AND BELOW”

“S/N XXXX AND ABOVE”

“S/N XXXX TO S/N XXX”

Specific Model Number Use — Indicates that the part is used only with the specific model number or model number variant listed. It can also be used to show a part is NOT used on a specific model or model number variant.

Indicated by:

“XXXXX ONLY”

“NOT USED ON XXXX”

“Make/Obtain Locally” — Indicates that the part can be purchased at any hardware shop or made out of available items. Examples include battery cables, shims, and certain washers and nuts.

“Not Sold Separately” — Indicates that an item cannot be purchased as a separate item and is either part of an assembly/kit that can be purchased, or is not available for sale through Multiquip.

SUGGESTED SPARE PARTS

DCA600SSV WHISPERWATT GENERATOR WITH VOLVO PENTA TAD1642GE DIESEL ENGINE

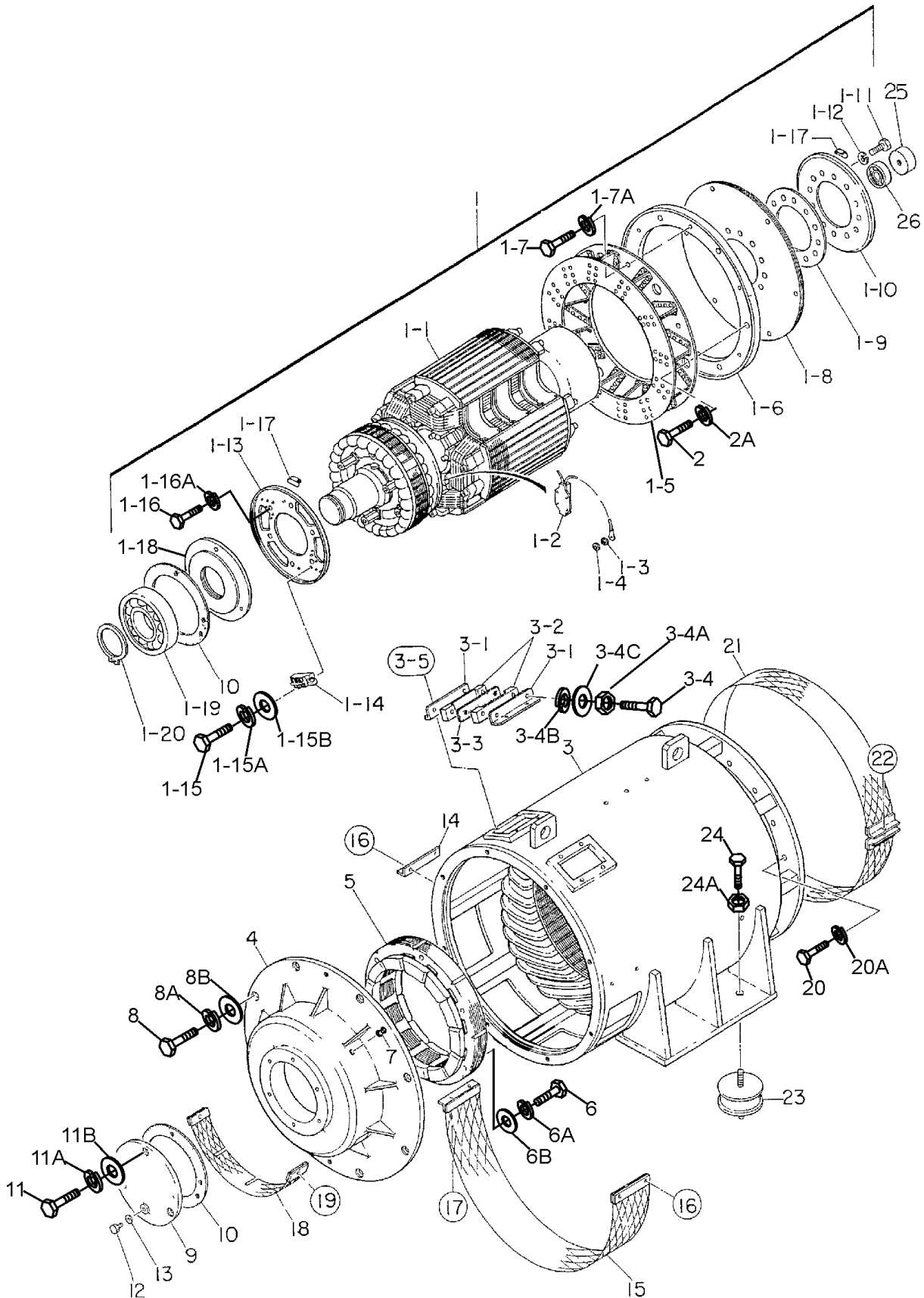
1 to 3 Units

QTY.	P/N	DESCRIPTION
20	6125817032	AIR FILTER, INNER & OUTER
30	6003117111	FUEL FILTER
30	6002111231	OIL FILTER
2	6004111030	CARTRIDGE, CORROSION RESISTOR
1	0601810575	PILOT LAMP, ENGINE TROUBLE
1	0601810576	PILOT LAMP, ENGINE TROUBLE
1	0412222568	ENGINE FAN BELT
1	6008155390	SWITCH STARTER UP TO S/N 3698616
3	615	KEY SET, STARTER SWITCH (2) UP TO S/N 3698616
2	0602122281	OIL SWITCH
1	6995621691	RADIATOR HOSE (UPPER)
1	6162639650	RADIATOR HOSE (LOWER)
1	0605505030	FUEL CAP
1	0601820625	AUTOMATIC VOLTAGE REGULATOR
1	0601805313	CIRCUIT BREAKER, 265V, 20A
1	0601805840	CIRCUIT BREAKER, 265V, 50A
1	0601802525	HANDLE, MAIN CURRENT BREAKER
1	0601840073	VOLTAGE REGULATOR (RHEOSTAT)
2	0601840121	KNOB, VOLTAGE REGULATOR
1	0601810072	PILOT LAMP
2	0601810261	BULB PILOT LAMP
1	23S0311150M	CAP, RADIATOR
1	0602122203	UNIT OIL PRESSURE
1	0602123206	UNIT, WATER TEMPERATURE
1	0602121052	CHARGING AMMETER
1	ECU9988N600/800	ECU ENGINE CONTROLLER S/N 3698617~

NOTICE

Part number on this Suggested Spare Parts list may supersede/replace the P/N shown in the text pages of this book.

GENERATOR ASSY.



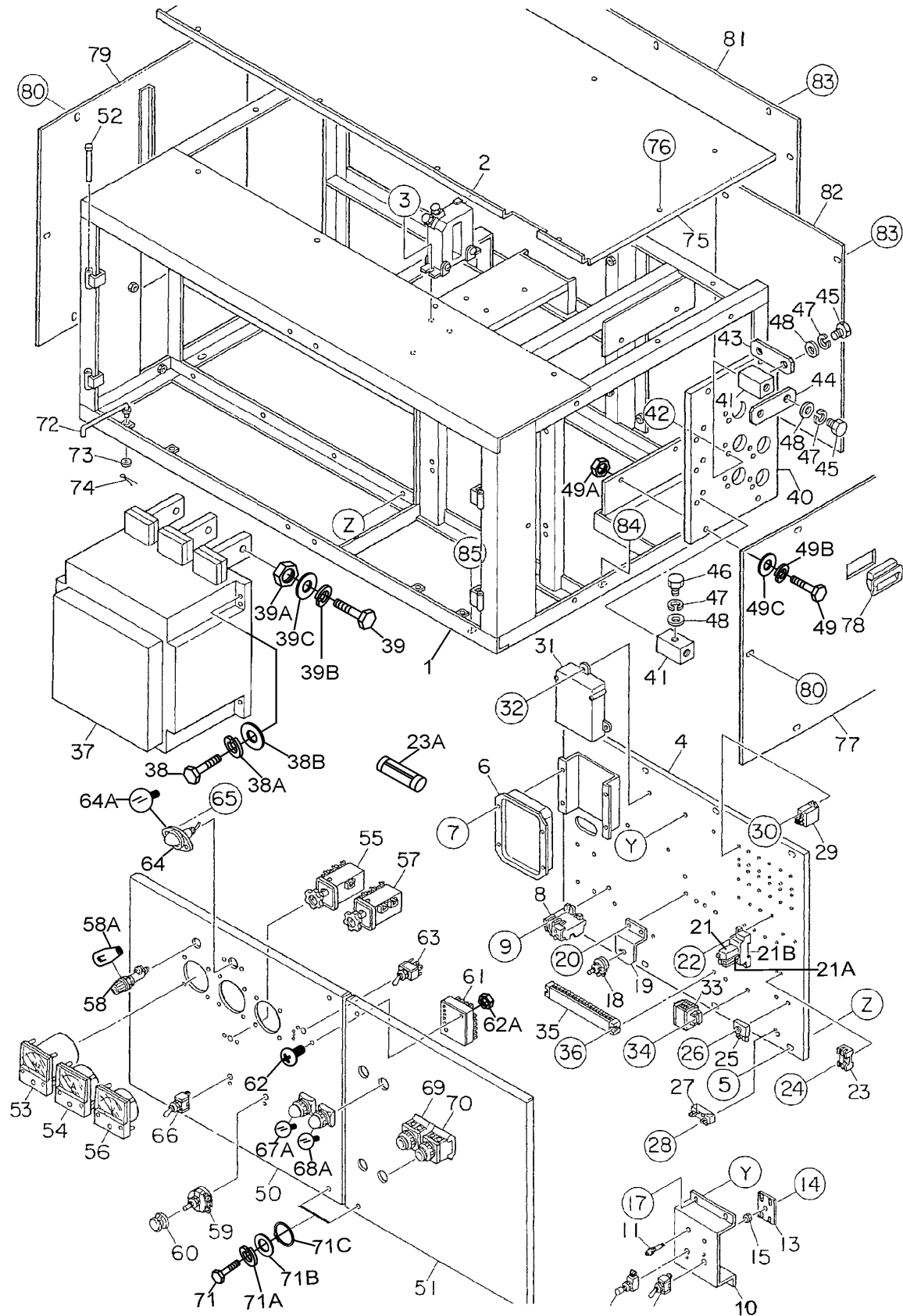
GENERATOR ASSY.

<u>NO.</u>	<u>PART NO.</u>	<u>PART NAME</u>	<u>QTY.</u>	<u>REMARKS</u>
1	4100100202	ROTOR ASSY.	1.....	NOT SOLD SEPARATELY
1-1		FIELD ASSY	1	
1-2	0601842366	RESISITOR	2	
1-3	8171020004	INSULATOR WASHER	6	
1-4	8171020504	INSULATOR WASHER	6	
1-5	8461070002	FAN	1	
1-6	8461614003	COUPLING RING	1	
1-7	0010312025	HEX. HEAD BOLT	6	
1-8	0042512000	COUPLING DISK ASSY	1	
1-9	4163100004	WASHER, COUPLING HUB	1	
1-10	8461015003	BALANCING PLATE	1.....	PURCHASE ITEM 1-17 AS A SET
1-11	0012120055	HEX. HEAD BOLT	12	
1-12	0042620000	SPRING WASHER	12	
1-13	8461026023	SET PLATE, RECTIFIER	1	
1-14	0601823282	RECTIFIER	2	
1-15	0018205020	HEX. SOCKET SHCS	4	
1-15A	0040005000	SPRING WASHER	4	
1-15B	0041205000	PLAIN WASHER	4	
1-16	0010112020	HEAD HEX. BOLT	6	
1-16A	0010112000	WASHER, LOCK	6	
1-17	0601000209	BALANCING WEIGHT KIT	1	
1-18	7431014003	BEARING FLANGE	1	
1-19	0072906321	BEARING	1	
1-20	0080000105	SNAP RING	1	
2	0343207250	HEX. HEAD BOLT	6	
2A	0043607000	WASHER, LOCK	6	
3	C4130100203	STATOR ASSY.	1	
3-1	7431323003	CLAMPER	4	
3-2	7431323123	CLAMPER	4	
3-3	7431323204	CLAMPER	2	
3-4	0061310080	HEX. HEAD BOLT	4	
3-4A	0030010000	HEX. NUT	4	
3-4B	0040010000	WASHER, LOCK	8	
3-4C	0041210000	WASHER, FLAT	4	
3-5	0017110020	HEX. HEAD BOLT	8	
4	8461315002	END BRACKET	1	
5	C4137000003	FIELD ASSY. EXCITER	1	
6	0012110075	HEX. HEAD BOLT	6	
6A	0042610000	WASHER, LOCK	6	
6B	0041210000	WASHER, FLAT	6	
7	0845044904	GROMMET	1	
8	0016316045	HEX. HEAD BOLT	8	
8A	0040016000	WASHER, LOCK	8	
8B	0041216000	WASHER, FLAT	8	

GENERATOR ASSY. (CONTINUED)

<u>NO.</u>	<u>PART NO.</u>	<u>PART NAME</u>	<u>QTY.</u>	<u>REMARKS</u>
9	7431310003	COVER, BEARING	1	
10	8461312004	GASKET, BEARING	2	
11	0016308095	HEX. HEAD BOLT	3	
11A	0040008000	SPRING WASHER	3	
11B	0041208000	PLAIN WASHER	3	
12	0010110016	HEX. HEAD BOLT	1	
13	0803000104	PACKING	1	
14	8461335003	BRACKET, COVER	1	
15	8461334003	COVER, STATOR	1	
16	0017106012	HEX. HEAD BOLT	4	
17	0017106050	HEX. HEAD BOLT	2	
18	8461333003	COVER, EXCITOR	1	
19	0017106012	HEX. HEAD BOLT	2	
20	0343206170	HEX. HEAD BOLT	16	
20A	0043606000	SPRING WASHER	16	
21	8461332003	COVER, FAN	1	
22	0017106050	HEX. HEAD BOLT	1	
23	0605000012	RUBBER SUSPENSION	4	
24	0030020000	HEX. NUT	8	
24A	0040020000	SPRING WASHER	8	
25	C3164701404	SPACER, BEARING	1	
26	0070506208	BEARING	1	

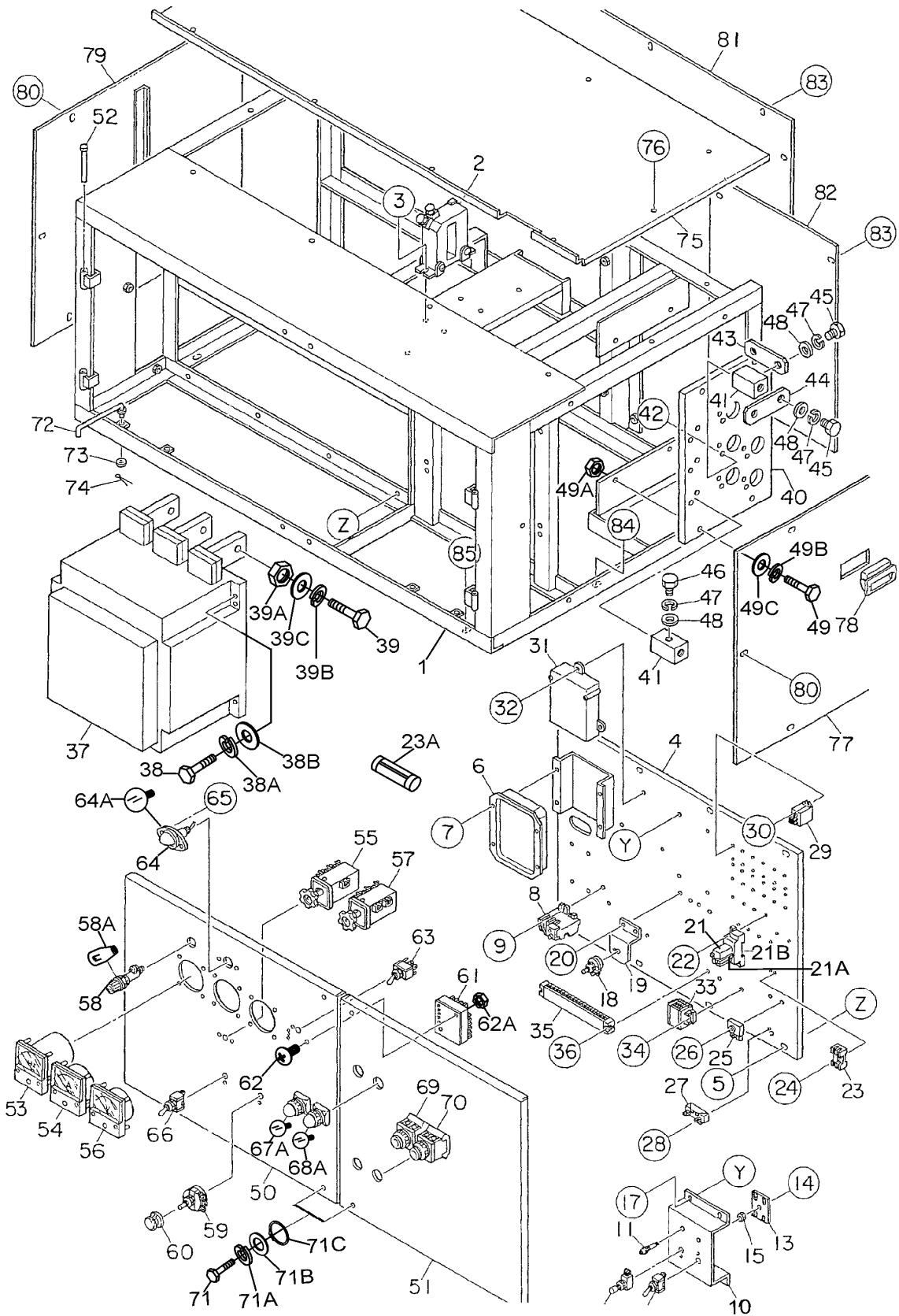
CONTROL BOX ASSY.



CONTROL BOX ASSY.

<u>NO.</u>	<u>PART NO.</u>	<u>PART NAME</u>	<u>QTY.</u>	<u>REMARKS</u>
1	C4214001602	CONTROL BOX	1	
2	0601806153	CURRENT TRANSFORMER, AMMETER	3	
3	0017108020	HEX. HEAD BOLT	6	
4	C4261506003	SET PANEL, ELECTRIC PARTS	1	
5	0017108030	HEX. HEAD BOLT	8	
6	0601820658	AUTOMATIC VOLTAGE REGULATOR	1	
7	0027105015	MACHINE SCREW	4	
8	0601820892	OVER CURRENT RELAY	1	
9	0027104015	MACHINE SCREW	2	
10	C4261601904	SWITCH BRACKET	1	
11	0601810575	DIAGNOSTIC LAMP	1	
12	0601831205	RESET SWITCH	1	
13	C3267600004	RESISTOR SWITCH	1	
14	0027105020	MACHINE SCREW	1	
15	003006000	HEX. NUT	1	
16	0601830710	CHANGE-OVER SWITCH	1	
17	0017106016	HEX. HEAD BOLT	4	
18	0601840227	RHEOSTAT (HIGH IDLE SPEED REGULATOR)	1	
19	C3262600004	BRACKET	1	
20	0017106016	HEX. HEAD BOLT	2	
21	0601827655	RELAY	4	
21A	0601823109	SOCKET	4	
21B	0601824400	HOLDER	4	
22	0027104015	MACHINE SCREW	8	
23	0601802149	FUSE	1	
23A	0601802211	HOLDER, FUSE	1	
24	0027103020	MACHINE SCREW	2	
25	0601823240	RECTIFIER	1	
26	0027105020	MACHINE SCREW	1	
27	0601842461	RESISTOR	1	
28	0027103020	MACHINE SCREW	1	
29	0601828533	RELAY	1	
30	0027104016	MACHINE SCREW	2	
31	0602202691	CONTROLLER	1	
32	0017106016	HEX. HEAD BOLT	3	
33	0601815402	TERMINAL BOARD	1	
34	0027104020	MACHINE SCREW	2	
35	0601815941	TERMINAL BOARD	1	
36	0027104020	MACHINE SCREW	2	
37	0601807516	CIRCUIT BREAKER, 1600 AMPS	1	
38	0015308045	HEX. SOCKET HEAD CAP SCREW	8	
38A	0042508000	SPRING WASHER	8	
38B	0041208000	PLAIN WASHER	8	
39	0010114055	HEX. HEAD BOLT	12	
39A	0030014000	HEX. NUT	12	
39B	0040014000	SPRING WASHER	12	

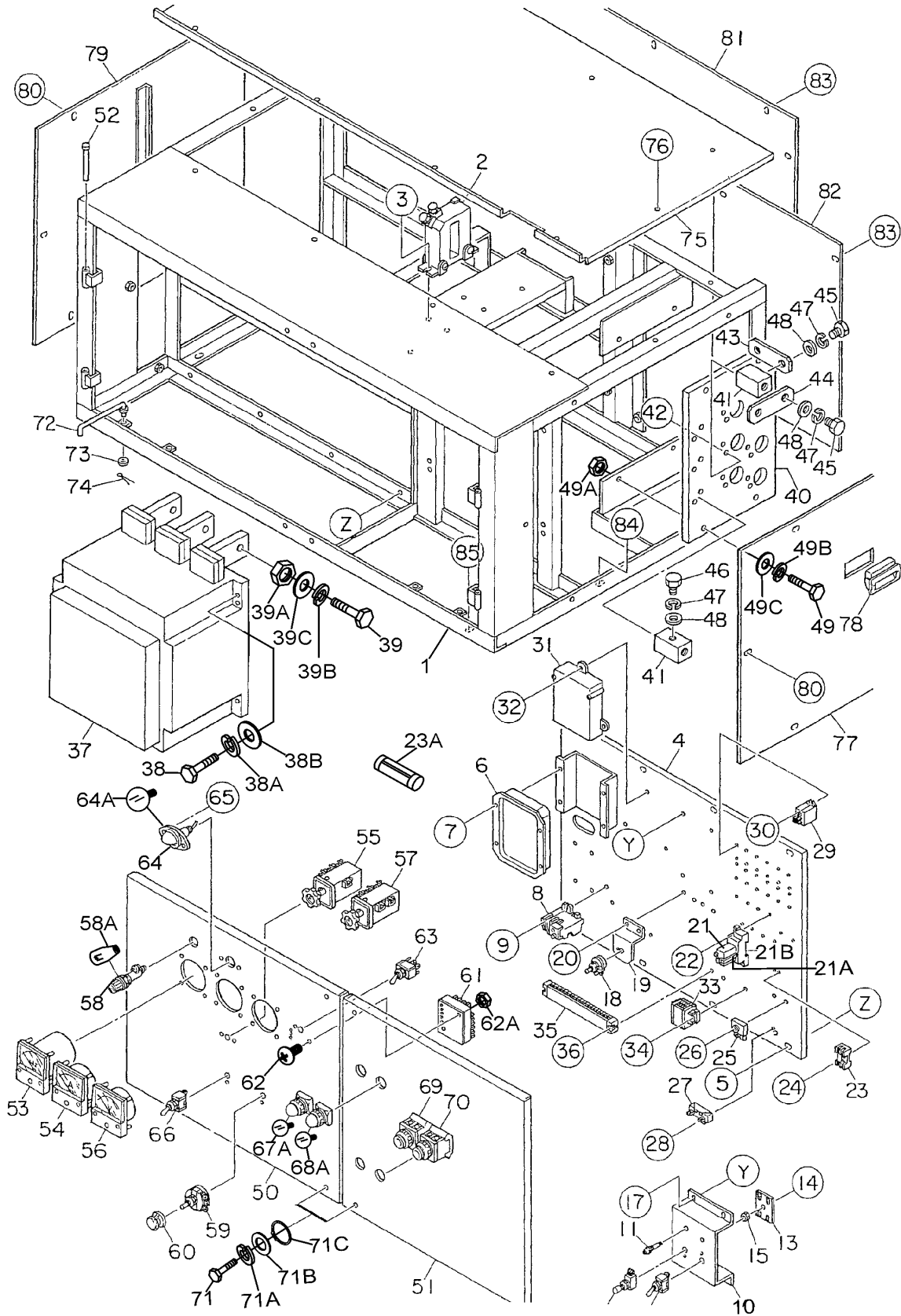
CONTROL BOX ASSY. (CONTINUED)



CONTROL BOX ASSY. (CONTINUED)

<u>NO.</u>	<u>PART NO.</u>	<u>PART NAME</u>	<u>QTY.</u>	<u>REMARKS</u>
39-C	0041214000	PLAIN WASHER	24	
40	7431861113	CHANGE-OVER BOARD, VOLTAGE	1	
41	7431852104	CHANGE TERMINAL	10	
42	0017108035	HEX. HEAD BOLT	20	
43	7971852504	TERMINAL PLATE	7	
44	7431853104	CHANGE PLATE	6	
45	0801832504	HEX. HEAD BOLT	17	
46	0801830904	HEX. HEAD BOLT	3	
47	0040020000	SPRING WASHER	20	
48	0041420000	PLAIN WASHER	20	
49	0010110040	HEX. HEAD BOLT	4	
49A	0030010000	HEX. NUT	4	
49B	0040010000	SPRING WASHER	4	
49C	0041210000	PLAIN WASHER	4	
50	C4224004203	CONTROL PANEL	1	
51	C4225000213	CONTROL PANEL	1	
52	0605011211	PIN	4	
53	0601800480	FREQUENCY METER, 220V	1	
54	0601800736	AC AMMETER	1	
55	0601801040	CHANGE-OVER SWITCH, AMMETER	1	
56	0601800252	AC VOLTMETER, 600V	1	
57	0601801041	CHANGE-OVER SWITCH, VOLTMETER	1	
58	0601810072	PILOT LAMP	1	
58A	0601810261	BULB	1	
59	0601840073	RHEOSTAT (VOLTAGE REGULATOR)	1	
60	0601840121	KNOB	1	
61	0602202640	ENGINE CONTROLLER	1	
62	0027104040	MACHINE SCREW	2	
62A	0207004000	HEX. NUT	2	
63	0601830765	SWITCH	1	
64	0601810161	PANEL LIGHT	1	
64A	0601810214	BULB	1	
65	0207004000	HEX. NUT	2	
66	0601830710	SWITCH, PANEL LIGHT	1	
67	0601810476	OFF LAMP, CIRCUIT BREAKER	1	
67A	0601810235	BULB	1	
68	0601810467	ON LAMP, CIRCUIT BREAKER	1	
68A	0601810235	BULB	1	
69	0601830498	CIRCUIT BREAKER RESET SWITCH	1	
70	0601831224	CIRCUIT BREAKER SWITCH	1	
71	C9221100004	HEX. HEAD BOLT	4	
71A	0040008000	SPRING WASHER	4	
71B	0041208000	PLAIN WASHER	4	
71C	0080200007	SNAP RING	4	
72	3871824004	STOPPER, CONTROL PANEL	2	
73	0041206000	PLAIN WASHER	2	

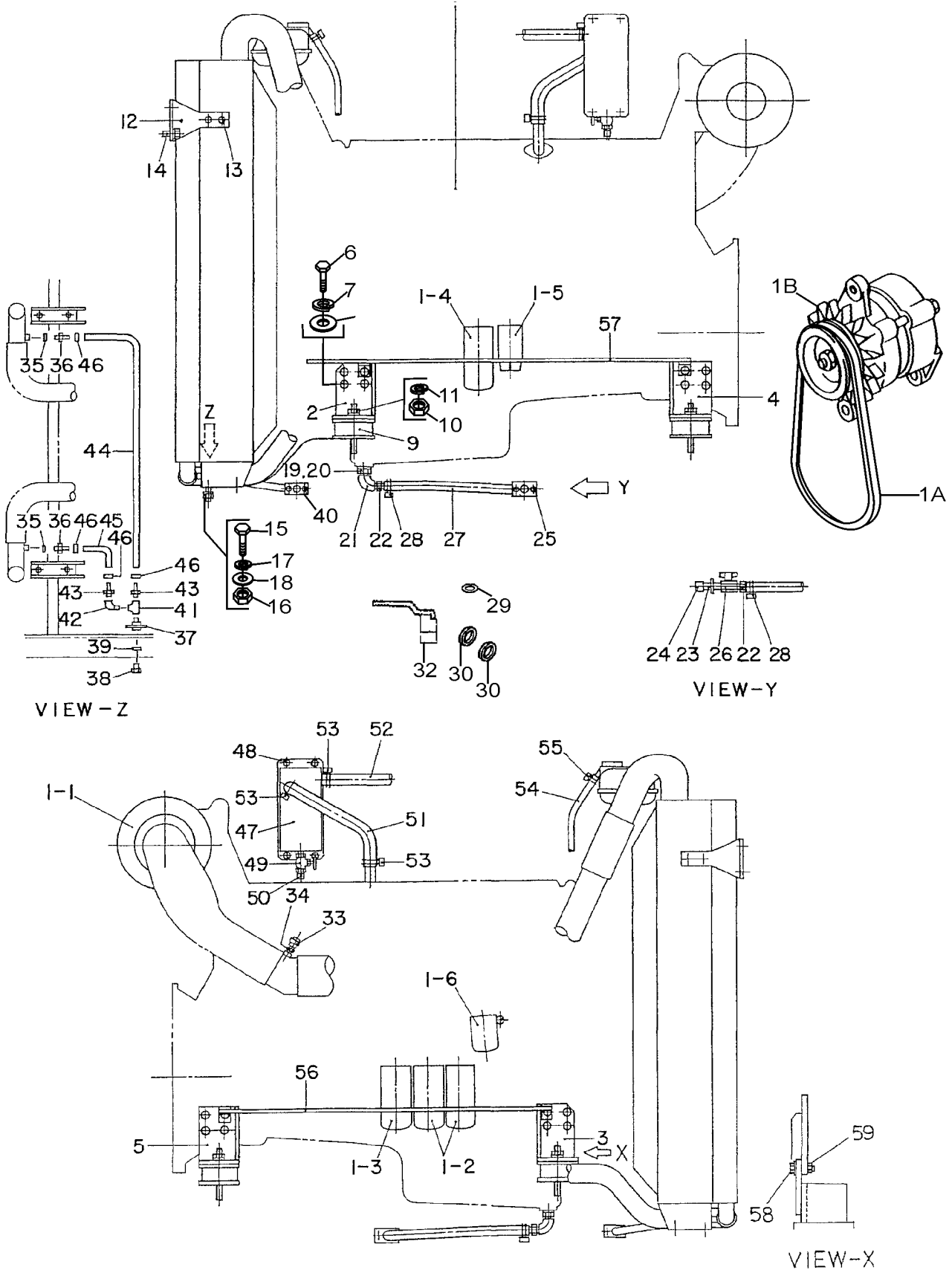
CONTROL BOX ASSY. (CONTINUED)



CONTROL BOX ASSY. (CONTINUED)

<u>NO.</u>	<u>PART NO.</u>	<u>PART NAME</u>	<u>QTY.</u>	<u>REMARKS</u>
74	0605010502	SNAP PIN	2	
75	8481814503	COVER, CONTROL BOX	1	
76	0017108020	HEX. HEAD BOLT	10	
77	C4214300904	SIDE PANEL, CONTROL BOX	1	
78	0601850349	EMBEDDED PULLS	1	
79	C4214301004	SIDE PANEL, CONTROL BOX	1	
80	0017108020	HEX. HEAD BOLT	12	
81	C4214400404	PANEL, CONTROL BOX	1	
82	8481825304	PANEL, CONTROL BOX	1	
83	0017108020	HEX. HEAD BOLT	15	
84	0017110030	HEX. HEAD BOLT	5	
85	0017108020	HEX. HEAD BOLT	3	

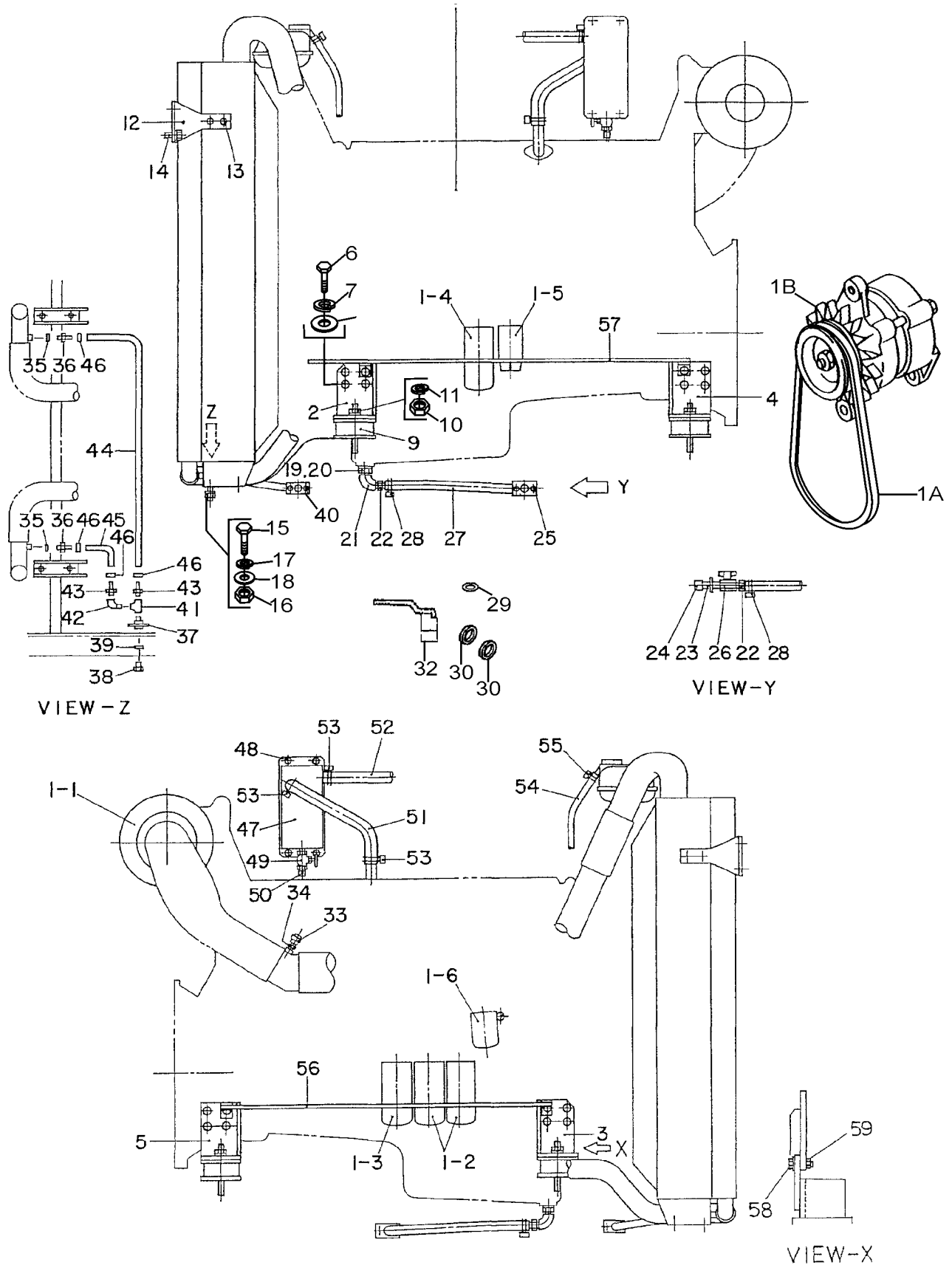
ENGINE AND RADIATOR ASSY.



ENGINE AND RADIATOR ASSY.

<u>NO.</u>	<u>PART NO.</u>	<u>PART NAME</u>	<u>QTY.</u>	<u>REMARKS</u>
1	C4924200284	ENGINE & RADIATOR SET.....	1.....	TAD1642GE
1A	0602015240	BELT, FAN	1	
1B	0602015241	BELT, ALTERNATOR	1	
1-1	0602046623	ELEMENT, AIR CLEANER	1	
1-2	0602041278	CARTRIDGE, OIL FILTER, FULL-FLOW	2	
1-3	0602041276	CARTRIDGE, OIL FILTER, BY-PASS	1	
1-4	0602042562	CARTRIDGE, FUEL FILTER	1	
1-5	0602042768	CARTRIDGE, FUEL FILTER, PRE-FILTER	1	
1-6	0602045161	CARTRIDGE, CORROSION RESISTOR	1	
2	C4304200804	ENGINE FOOT	1	
3	C4304200704	ENGINE FOOT	1	
4	C4304201004	ENGINE FOOT	1	
5	C4304200904	ENGINE FOOT	1	
6	0013616040	HEX. HEAD BOLT	16	
7	0040016000	SPRING WASHER	16	
8	0041216000	PLAIN WASHER	16	
9	0605000012	RUBBER SUSPENSION	4	
10	0030020000	HEX. NUT	8	
11	0040020000	SPRING WASHER	8	
12	C4311100604	BRACKET, RADIATOR	2	
13	0017108025	HEX. HEAD BOLT	4	
14	0017110025	HEX. HEAD BOLT	4	
15	0010112035	HEX. HEAD BOLT	4	
16	0030012000	HEX. NUT	4	
17	0040012000	SPRING WASHER	4	
18	0041212000	PLAIN WASHER	8	
19	6452025504	DRAIN JOINT	1	
20	0802024004	PACKING	1	
21	0130008000	ELBOW JOINT	1	
22	0602022294	HOSE JOINT	2	
23	C0321200004	DRAIN JOINT	1	
24	C0321300004	CAP	1	
25	0019208025	HEX. HEAD BOLT	2	
26	0603325017	VALVE	1	
27	0265801000	DRAIN HOSE	1	
28	0605515074	HOSE BAND	2	
29	0602012342	PACKING	1	
30	0603306592	ADAPTER	1	
31	0603306869	ADAPTER	1	
32	0602012071	VALVE	1	
33	0602040666	INDICATOR, AIR CLEANER	1	
34	0602046007	NIPPLE	1	
35	0845035004	PACKING	2	
36	0845500304	NIPPLE	2	
37	B1368701103	DRAIN JOINT	1	
38	0802011104	PLUG	1	

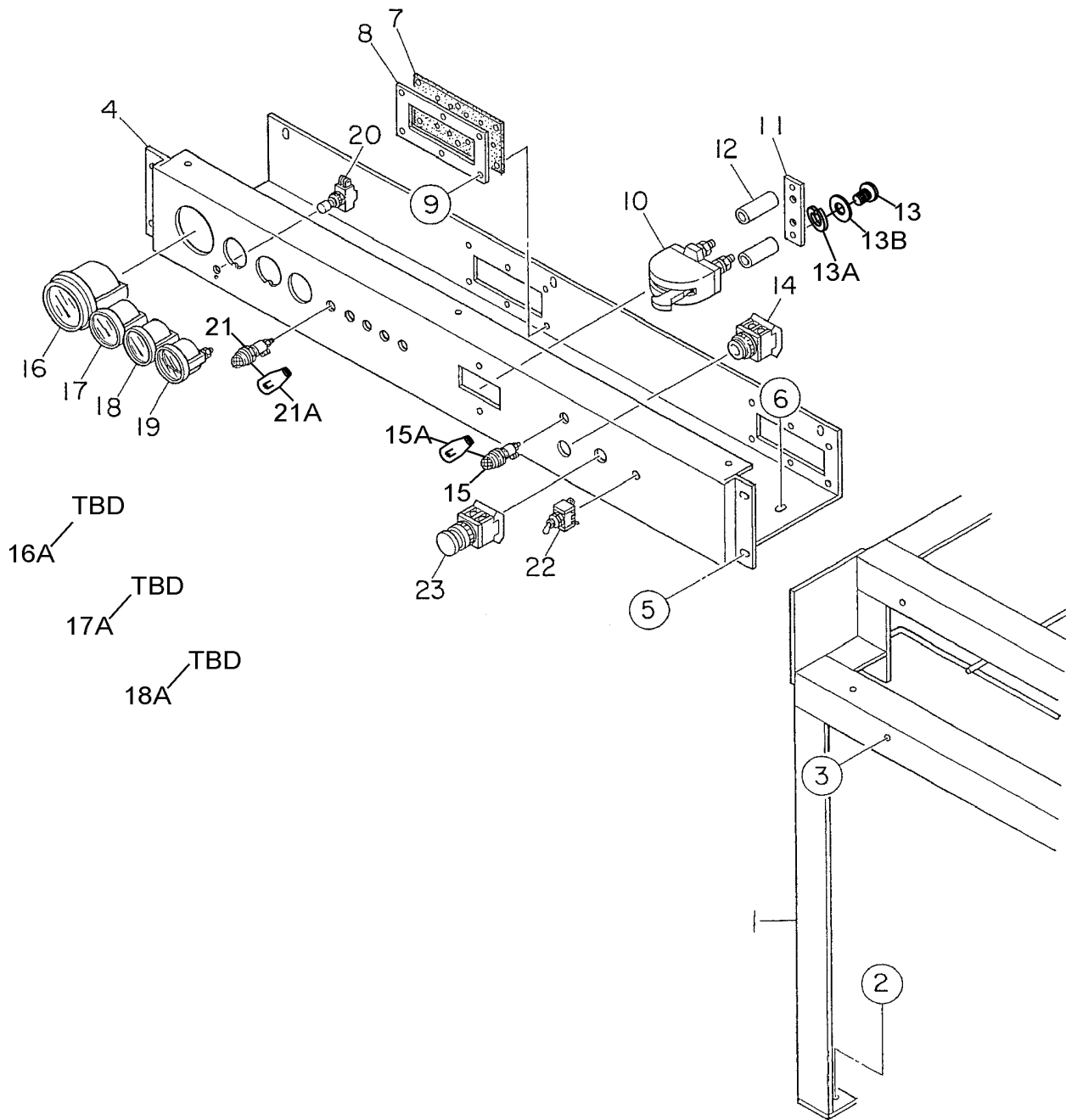
ENGINE AND RADIATOR ASSY. (CONTINUED)



ENGINE AND RADIATOR ASSY. (CONTINUED)

<u>NO.</u>	<u>PART NO.</u>	<u>PART NAME</u>	<u>QTY.</u>	<u>REMARKS</u>
39	0150000018	O RING	1	
40	0019206025	HEX. HEAD BOLT	2	
41	0130404000	T-JOINT	1	
42	0130204000	STREET ELBOW	1	
43	0602022291	HOSE JOINT	2	
44	C4322600004	DRAIN HOSE	1	
45	C4322600104	DRAIN HOSE	1	
46	0605515073	HOSE BAND	4	
47	C4324100303	BREATHER TANK	1	
48	0019208025	HEX. HEAD BOLT	4	
49	0603325011	VALVE	1	
50	0602022293	HOSE JOINT	1	
51	0268800680	BREATHER HOSE	1	
52	0268801560	BREATHER HOSE	1	
53	0605515138	HOSE BAND	4	
54	0191302200	OVERFLOW HOSE	1	
55	0605515109	HOSE BAND	1	
56	C4358300704	CLAMPER ROD	1	
57	C4358300604	CLAMPER ROD	1	
58	0012310030	HEX. HEAD BOLT	2	
59	0207010000	HEX. HEAD BOLT	2	

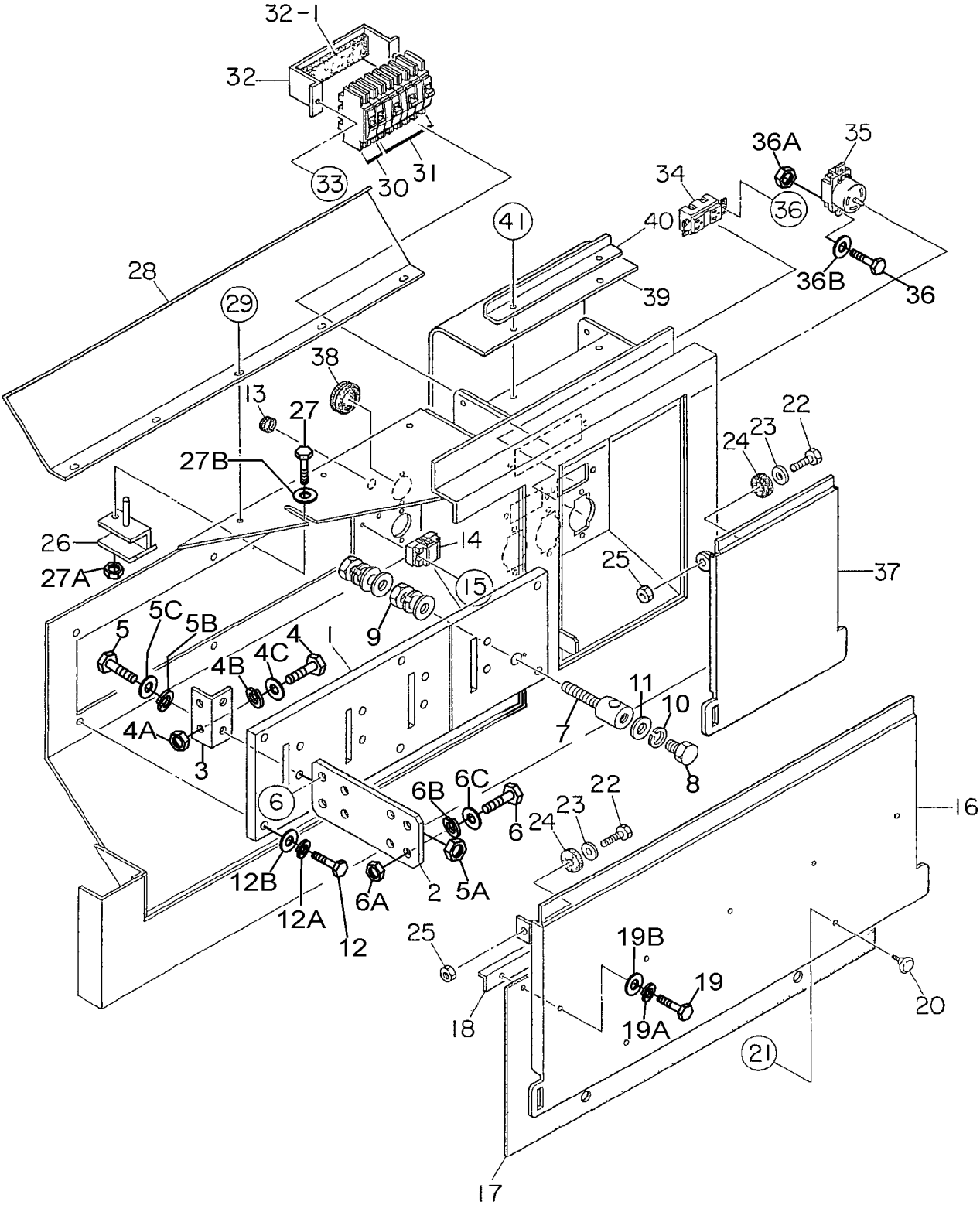
ENGINE OPERATING PANEL ASSY.



ENGINE OPERATING PANEL ASSY.

<u>NO.</u>	<u>PART NO.</u>	<u>PART NAME</u>	<u>QTY.</u>	<u>REMARKS</u>
1	C4484002102	SUPPORT LEG	1	
2	0017112030	HEX. HEAD BOLT	4	
3	0017110030	HEX. HEAD BOLT	2	
4	C4352102203	OPERATING PANEL	1	
5	0017108020	HEX. HEAD BOLT	4	
6	0017108020	HEX. HEAD BOLT	6	
7	8085182004	RUBBER COVER	2	
8	8085183004	SET FRAME, RUBBER COVER	2	
9	0017106020	HEX. HEAD BOLT	12	
10	0602101012	BATTERY SWITCH	1	
11	0805008804	SET PLATE, BATTERY SWITCH	1	
12	0805008704	STAY, BATTERY SWITCH	1	
13	0021008070	MACHINE SCREW	2	
13A	0040008000	SPRING WASHER	2	
13B	0041208000	PLAIN WASHER	2	
14	0601830448	PREHEAT BUTTON	1	
15	0602103090	PREHEAT LAMP	1	
15A	0601810244	BULB	1	
16	0602120023	TACHOMETER	1	
16A	0602129120	MOUNT KIT	1	
17	0602122026	OIL PRESSURE GAUGE	1	
17A	0602122026	MOUNT KIT	1	
18	0602123023	WATER TEMPERATURE GAUGE	1	
18A	0602129121	MOUNT KIT	1	
19	0602125055	FUEL GAUGE	1	
20	0601831570	SWITCH, HOUR METER	1	
21	0602103090	ALARM LAMP	5	
21A	0601810244	BULB	5	
22	0601830710	CHANGE-OVER SWITCH, SPEED	1	
23	0601831954	EMERGENCY STOP BUTTON	1	

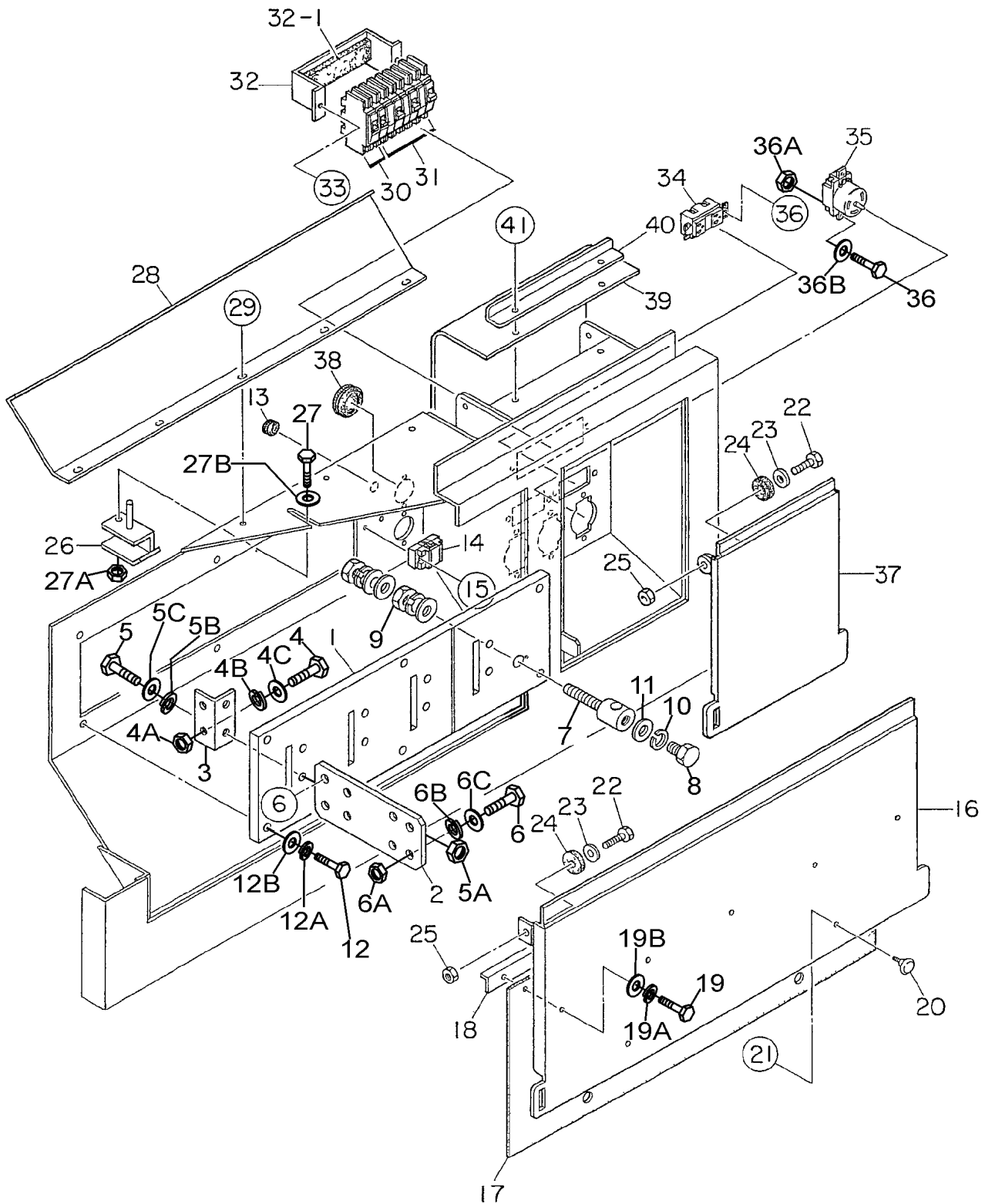
OUTPUT TERMINAL ASSY.



OUTPUT TERMINAL ASSY.

<u>NO.</u>	<u>PART NO.</u>	<u>PART NAME</u>	<u>QTY.</u>	<u>REMARKS</u>
1	C4231700603	SET BOARD, OUTPUT TERMINAL	1	
2	7521860504	OUTPUT TERMINAL	4	
3	7521850504	BRACKET, OUTPUT TERMINAL	4	
4	0010112040	HEX. HEAD BOLT	8	
4A	0030012000	HEX. NUT	8	
4B	0040012000	SPRING WASHER	8	
4C	0041212000	PLAIN WASHER	16	
5	0010112045	HEX. HEAD BOLT	8	
5A	0030012000	HEX. NUT	8	
5B	0040012000	SPRING WASHER	8	
5C	0041212000	PLAIN WASHER	16	
6	0010112040	HEX. HEAD BOLT	24	
6A	0030012000	HEX. NUT	24	
6B	0040012000	SPRING WASHER	24	
6C	0041212000	PLAIN WASHER	48	
7	0801830404	TERMINAL	1	
8	0801830904	HEX. HEAD BOLT	1	
9	0039320000	HEX. NUT	2	
10	0040020000	SPRING WASHER	3	
11	0041420000	PLAIN WASHER	4	
12	0019112050	HEX. HEAD BOLT	6	
12A	0042312000	SPRING WASHER	6	
12B	0042412000	PLAIN WASHER	6	
13	0601850275	GROMMET	1	
14	0601815324	TERMINAL BOARD	1	
15	0027104020	MACHINE SCREW	2	
16	C4237101304	COVER, OUTPUT TERMINAL	1	
17	7971867114	RUBBER SHEET	1	
18	7521865804	SET PLATE, RUBBER SHEET	2	
19	0019106020	HEX. HEAD BOLT	5	
19A	0042306000	SPRING WASHER	5	
19B	0042406000	PLAIN WASHER	5	
20	0605010660	KNOB	2	
21	0207006000	HEX. NUT	2	
22	0019112040	HEX. HEAD BOLT	4	
23	0042412000	PLAIN WASHER	8	
24	0805009804	STAY RUBBER	4	
25	0030012000	HEX. NUT	4	
26	7521865603	STOPPER	1	
27	0019108030	HEX. HEAD BOLT	1	
27A	0030008000	HEX. NUT	1	
27B	0041208000	PLAIN WASHER	2	
28	C4237100504	COVER	1	
29	0017108020	HEX. HEAD BOLT	5	
30	0601808803	CIRCUIT BREAKER, 20A	2	
31	0601808804	CIRCUIT BREAKER, 50A	3	

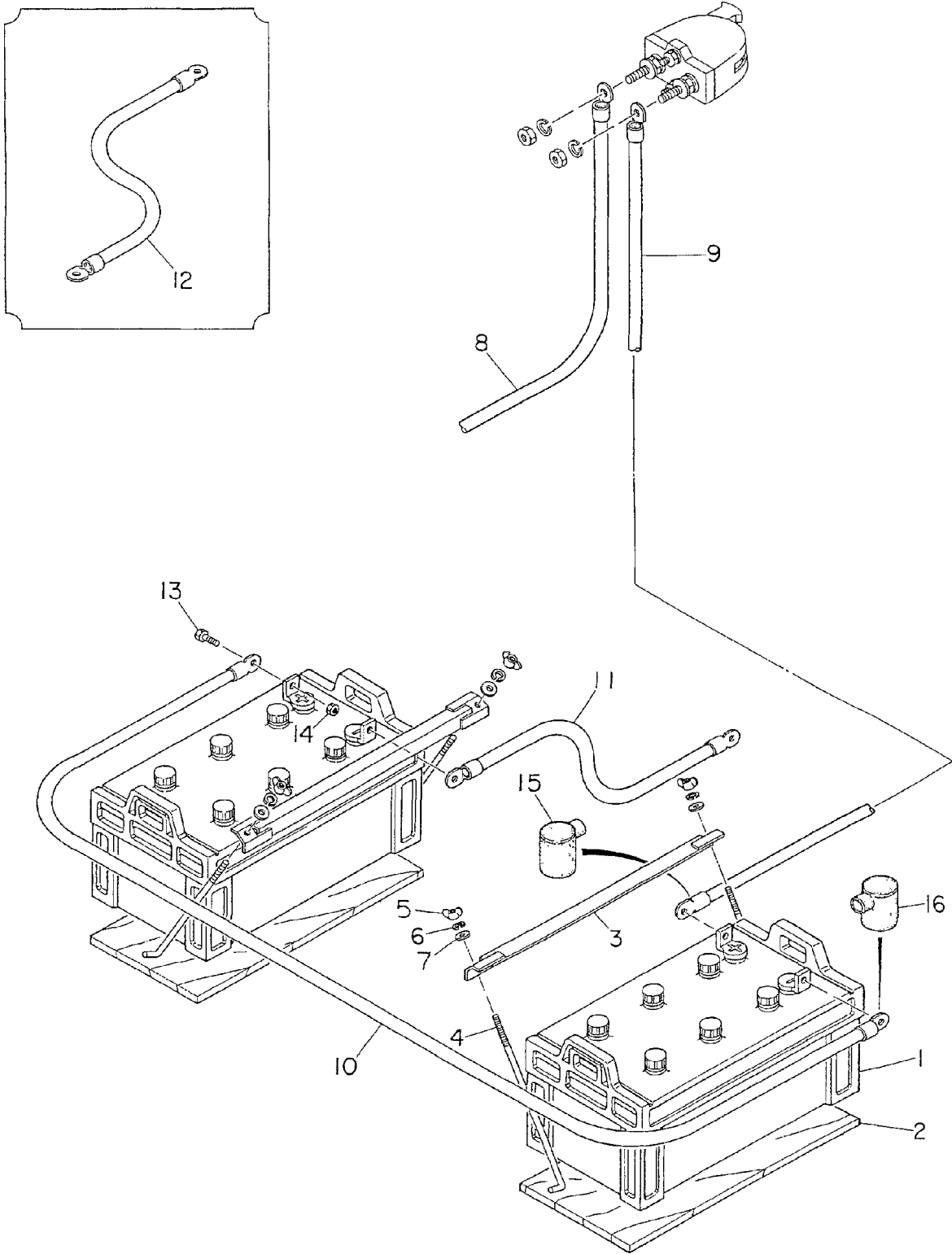
OUTPUT TERMINAL ASSY. (CONTINUED)



OUTPUT TERMINAL ASSY. (CONTINUED)

<u>NO.</u>	<u>PART NO.</u>	<u>PART NAME</u>	<u>QTY.</u>	<u>REMARKS</u>
32	C3261600704	BRACKET, CIRCUIT BREAKER	1	
32-1	0221200150	RUBBER CUSHION	1	
33	0017106030	HEX. HEAD BOLT	2	
34	0601812598	RECEPTACLE	2	
35	0601812565	RECEPTACLE	3	
36	0027104015	MACHINE SCREW	10	
3-A	0030004000	HEX. NUT	10	
36B	0041204000	PLAIN WASHER	10	
37	C4237101203	COVER	1	
38	06061851780	GROMMET	2	
39	C4237102804	COVER	1	
40	C4237400804	BRACKET	1	
41	0017106016	HEX. HEAD BOLT	2	

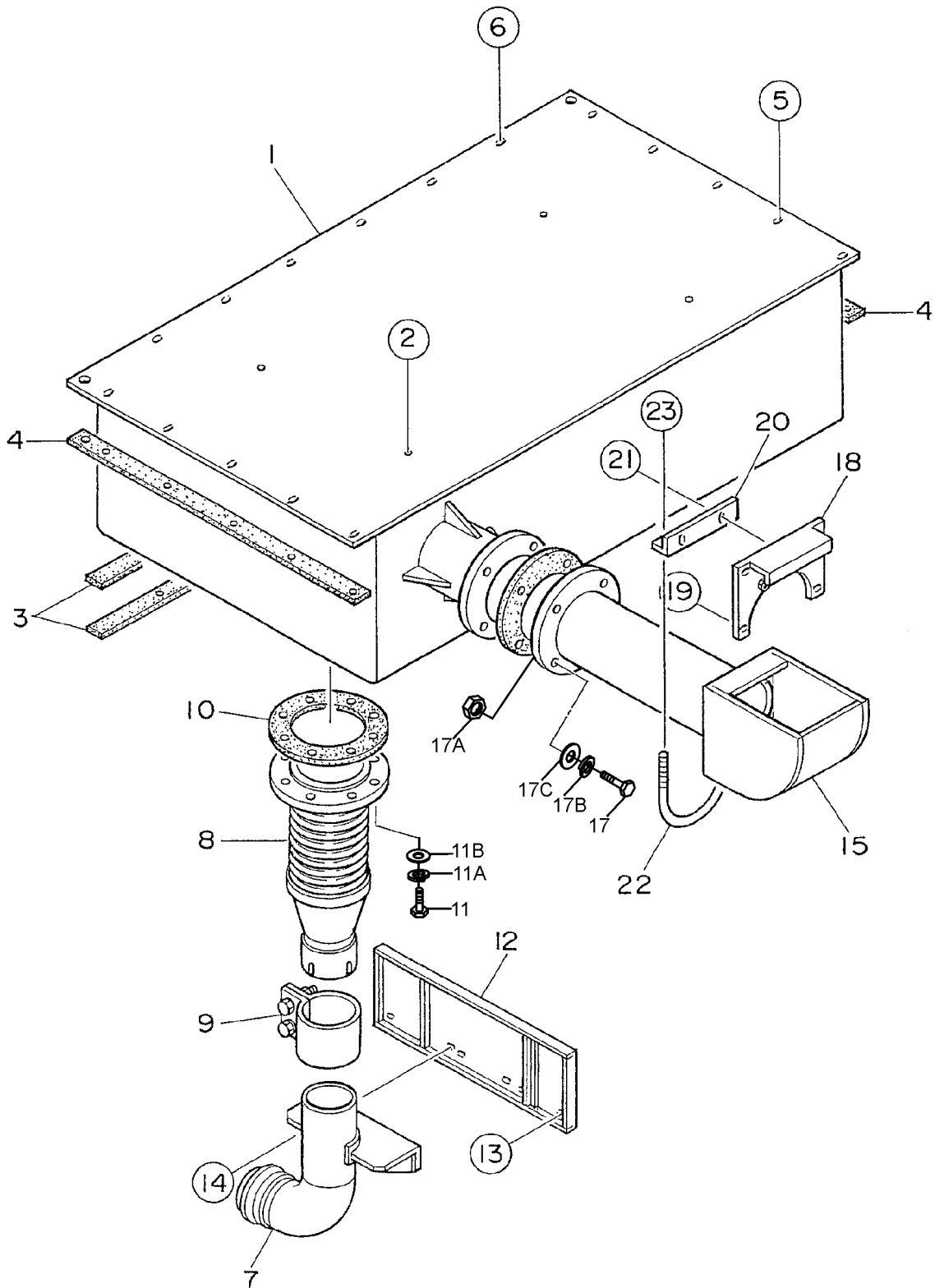
BATTERY ASSY.



BATTERY ASSY.

<u>NO.</u>	<u>PART NO.</u>	<u>PART NAME</u>	<u>QTY.</u>	<u>REMARKS</u>
1	0168719052	BATTERY	2	
2	C9109100704	BATTERY SHEET	2	
3	0805007804	BATTERY BAND	2	
4	0805006504	BATTERY BOLT	2	
5	0037808000	WING NUT	4	
6	0040008000	SPRING WASHER	4	
7	0041208000	PLAIN WASHER	4	
8	C5347600504	BATTERY CABLE	4	
9	C4347601704	BATTERY CABLE	1	
10	7432280504	BATTERY CABLE	1	
11	C4347601904	BATTERY CABLE	1	
12	C4347601804	EARTH CABLE	1	
13	0347010030	HEX. HEAD BOLT	4	
14	0208110000	HEX. NUT	4	
15	0845040114	TERMINAL CAP (+)	2	
16	0845041004	TERMINAL CAP (-)	2	

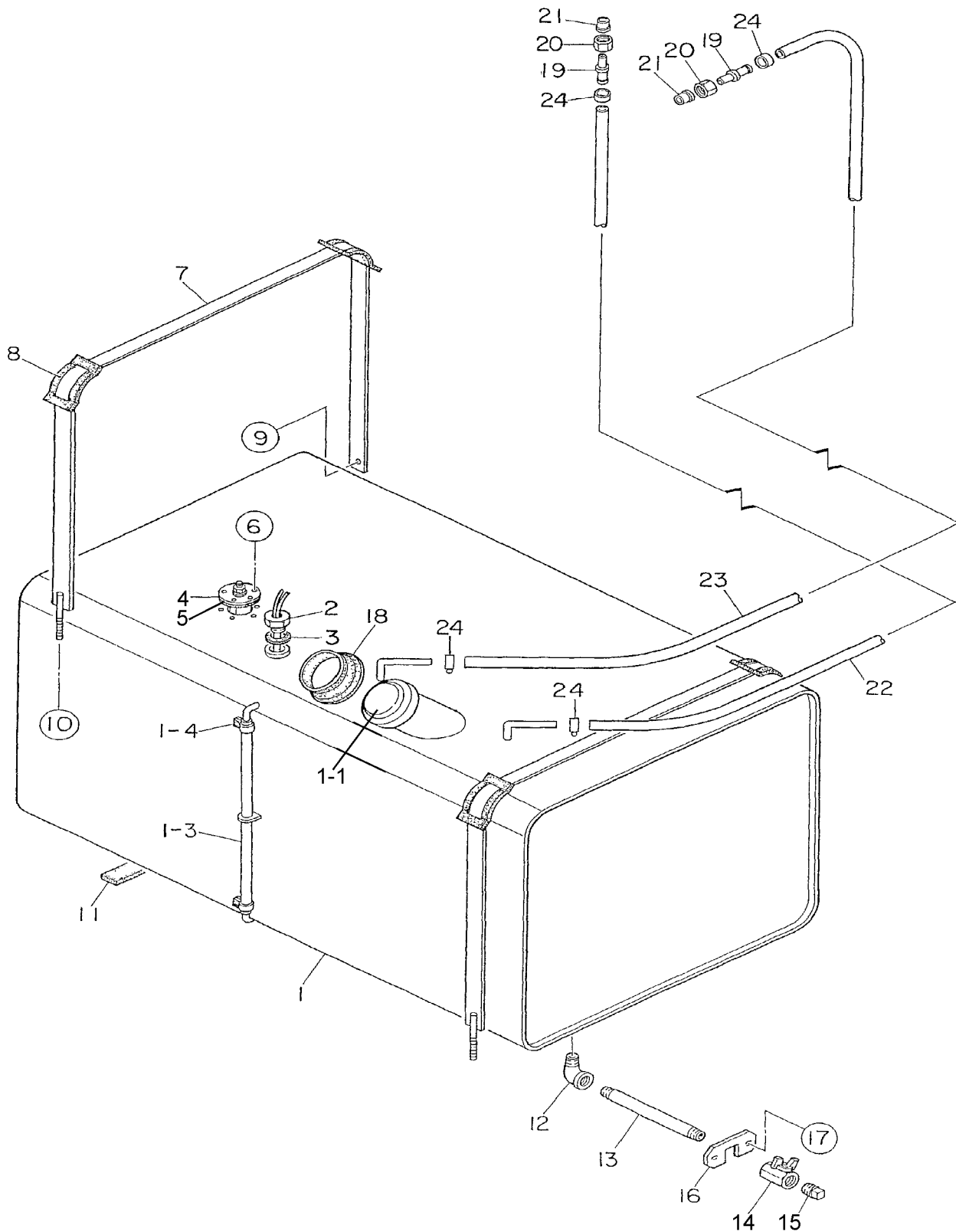
MUFFLER ASSY.



MUFFLER ASSY.

<u>NO.</u>	<u>PART NO.</u>	<u>PART NAME</u>	<u>QTY.</u>	<u>REMARKS</u>
1	C4331100802	MUFFLER	1	
2	0019210020	HEX. HEAD BOLT	4	
3	C4334200904	PACKING	2	
4	C4334200904	PACKING	2	
5	0019210030	HEX. HEAD BOLT	10	
6	0019208020	HEX. HEAD BOLT	6	
7	C4334000903	EXHAUST PIPE	1	
8	C4334001003	EXHAUST PIPE	1	
9	0602325009	SEAL CLAMP	1	
10	C4334200504	GASKET	1	
11	0010116050	HEX. HEAD BOLT	8	
11A	0040016000	SPRING WASHER	8	
11B	0041216000	PLAIN WASHER	8	
12	C4484100004	COVER	1	
13	0012310025	HEX. HEAD BOLT	2	
14	0012310030	HEX. HEAD BOLT	4	
15	C4334103603	OUTLET PIPE	1	
16	C3334200704	GASKET	1	
17	0010112050	HEX. HEAD BOLT	4	
17A	0030012000	HEX. NUT	4	
17B	0040012000	SPRING WASHER	4	
17C	0041212000	PLAIN WASHER	8	
18	C4331301204	COVER	1	
19	0019208025	HEX. HEAD BOLT	4	
20	C4331400204	BRACKET	1	
21	0019210020	HEX. HEAD BOLT	2	
22	0603320132	U BOLT	1	
23	0207310000	HEX. NUT	2	

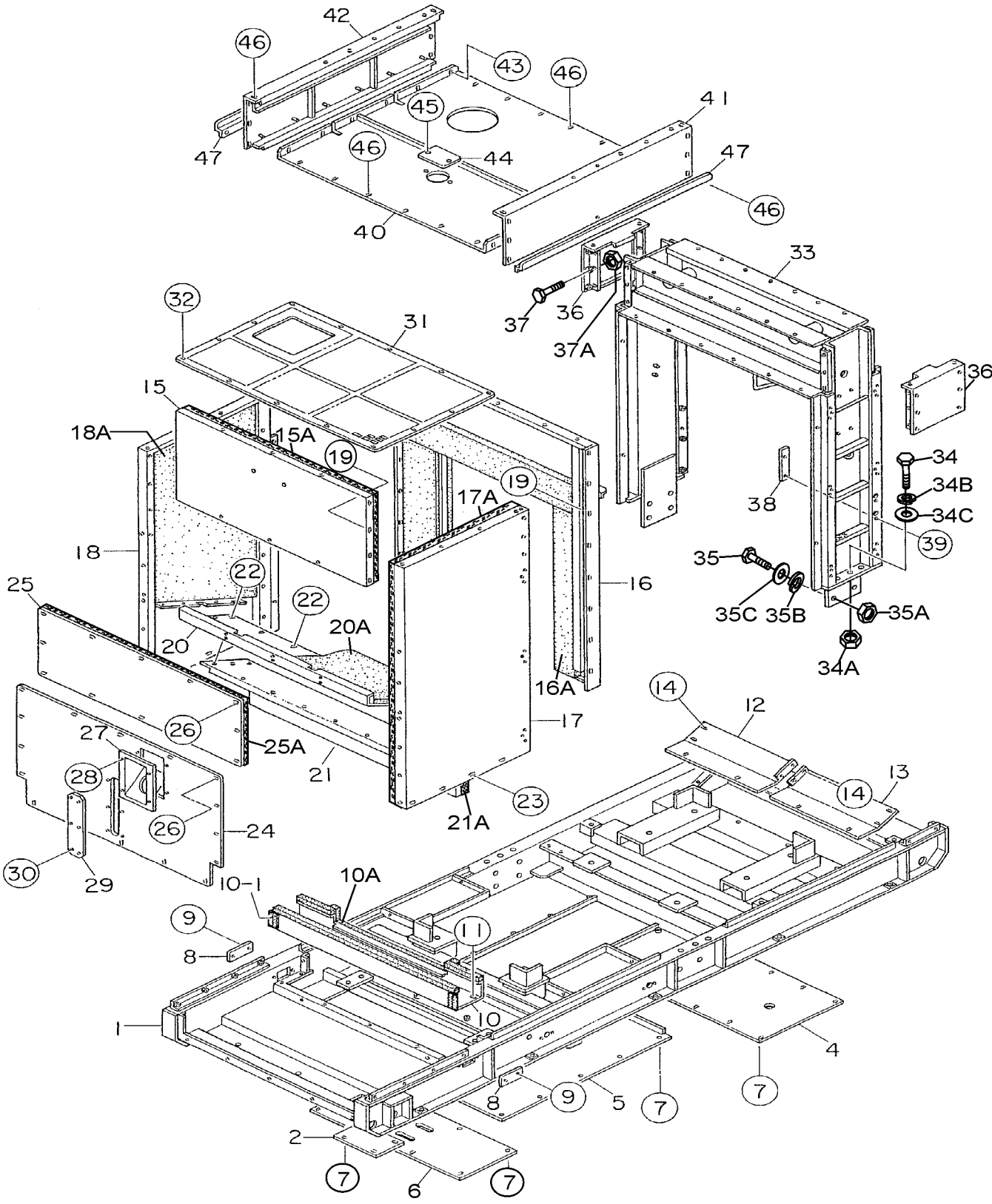
FUEL TANK ASSY.



FUEL TANK ASSY.

<u>NO.</u>	<u>PART NO.</u>	<u>PART NAME</u>	<u>QTY.</u>	<u>REMARKS</u>
1	C4364002203	FUEL TANK	1	
1-1	0845500104	CAP, FUEL TANK	1	
1-2	0810105400	FUEL FILTER	1	
1-3	0264100505	HOSE, FUEL GAUGE	1	
1-4	0605515079	HOSE BAND	2	
2	0605503023	FUEL SENSOR	1	
3	0802120604	PACKING	1	
4	C2924300034	FUEL SENDER	1	
5	E1924300184	GASKET	1	
6	0022905015	MACHINE SCREW	5	
7	8225523104	TANK BAND	2	
8	0805003414	PAD, TANK BAND	4	
9	0017108020	HEX. HEAD BOLT	2	
10	0207308000	SELF-LOCKING NUT	2	
11	0222100600	TANK SHEET	6	
12	0130206000	STREET ELBOW, 1/2	1	
13	0134306220	DRAIN PIPE	1	
14	0603325026	VALVE	1	
15	0132006000	PLUG	1	
16	C1367700304	LOCK PLATE	1	
17	0019208025	HEX. HEAD BOLT	2	
18	0845039604	RUBBER SEAL	1	
19	C4367200004	JOINT PIPE	2	
20	0603303071	NUT	2	
21	0603302071	SLEEVE	2	
22	0191403400	SUCTION HOSE	1	
23	0191403800	RETURN HOSE	1	
24	0605515073	HOSE BANK	4	

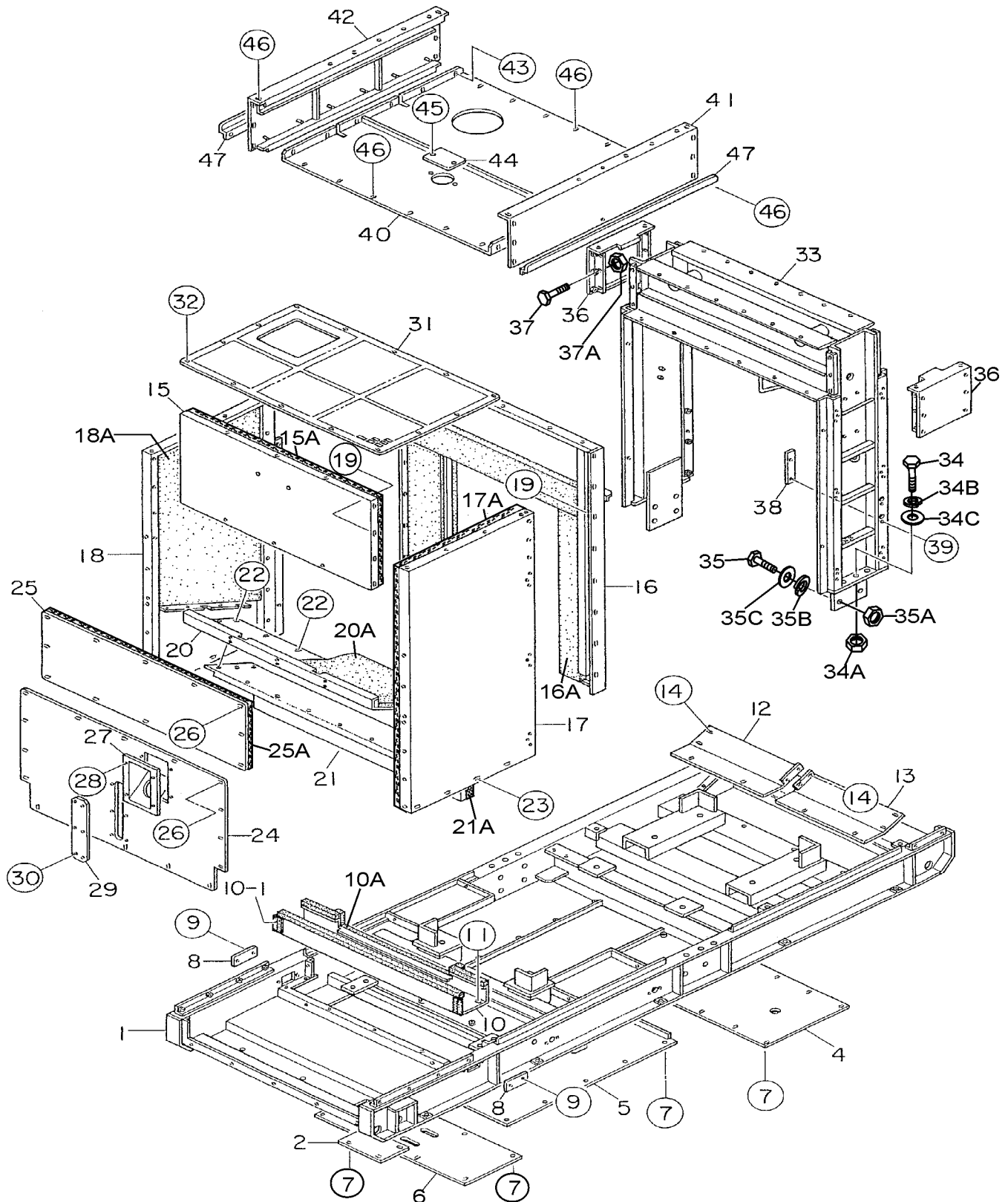
ENCLOSURE #1 ASSY.



ENCLOSURE #1 ASSY.

<u>NO.</u>	<u>PART NO.</u>	<u>PART NAME</u>	<u>QTY.</u>	<u>REMARKS</u>
1	C4414003302	BASE	1	
2	3875116304	FLOOR PANEL	1	
3	0019208020	HEX. HEAD BOLT	4	
4	C4414100204	FLOOR PANEL	1	
5	C4414100304	FLOOR PANEL	1	
6	C4414100404	FLOOR PANEL	1	
7	0019208020	HEX. HEAD BOLT	32	
8	C4414400104	COVER	2	
9	0019208020	HEX. HEAD BOLT	4	
10	C4414200003	GUIDE PANEL, AIR	1	
10A	C4494000004	ACOUSTIC SHEET	1	
10-1	0314500110	RUBBER SEAL	2	
11	0019208020	HEX. HEAD BOLT	9	
12	C4414600504	GUIDE PANEL, AIR	1	
13	C4414600604	GUIDE PANEL, AIR	1	
14	0017108020	HEX. HEAD BOLT	10	
15	C4424005003	FRONT FRAME	1	
15A	C4494102803	ACOUSTIC SHEET	1	
16	C4424005303	FRONT FRAME	1	
16A	C4494102803	ACOUSTIC SHEET	1	
17	C4424005502	FRONT FRAME	1	
17A	C4494102803	ACOUSTIC SHEET	1	
18	C4424005402	FRONT FRAME	1	
18A	C4494102803	ACOUSTIC SHEET	1	
19	0019208020	HEX. HEAD BOLT	24	
20	C4424300903	GUIDE PANEL, AIR	1	
20A	4494102803	ACOUSTIC SHEET	1	
21	C4424301003	GUIDE PANEL, AIR	1	
21A	C4494102803	ACOUSTIC SHEET	1	
22	0019208020	HEX. HEAD BOLT	19	
23	0019210025	HEX. HEAD BOLT	8	
24	C4424204803	COVER, FROM FRAME	1	
25	C4424204704	COVER, FROM FRAME	1	
25A	C4494102204	ACOUSTIC SHEET	1	
26	0019208020	HEX. HEAD BOLT	28	
27	0845042703	FILLER BRACKET	1	
28	0019208020	HEX. HEAD BOLT	4	
29	C4424204604	COVER	1	
30	0019206016	HEX. HEAD BOLT	6	
31	C4424206703	COVER, FRONT FRAME	1	
32	0019208020	HEX. HEAD BOLT	14	
33	C4434001402	CENTER FRAME	1	
34	0010120065	HEX. HEAD BOLT	6	
34A	0030020000	HEX. NUT	6	
34B	0040020000	SPRING WASHER	6	
34C	0041220000	PLAIN WASHER	12	

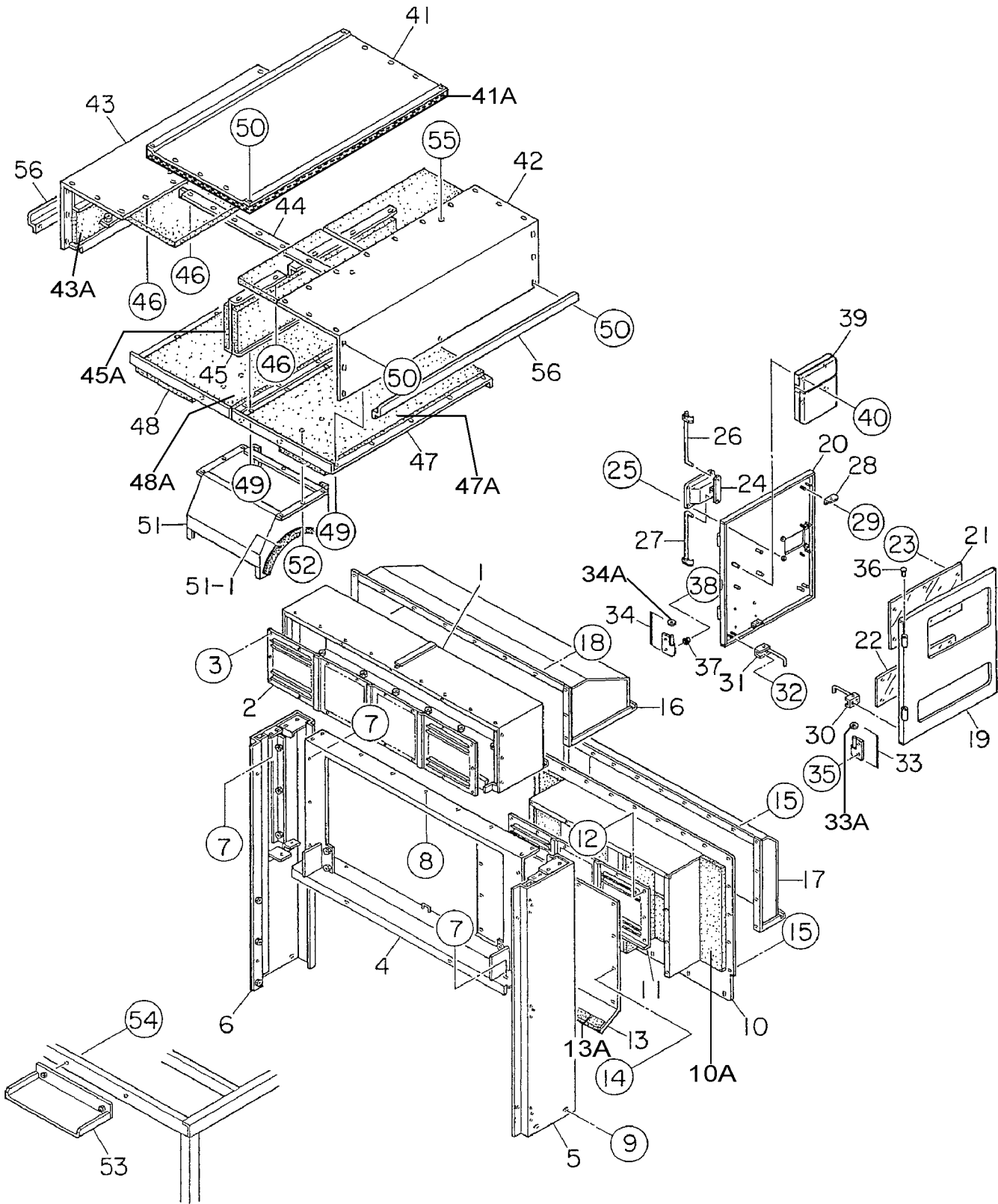
ENCLOSURE #1 ASSY. (CONTINUED)



ENCLOSURE #1 ASSY. (CONTINUED)

<u>NO.</u>	<u>PART NO.</u>	<u>PART NAME</u>	<u>QTY.</u>	<u>REMARKS</u>
35	0010120065	HEX. HEAD BOLT	8	
35A	0030020000	HEX. NUT	8	
35B	0040020000	SPRING WASHER	8	
35C	0041220000	PLAIN WASHER	16	
36	C4434200103	COVER	2	
37	0017108020	HEX. HEAD BOLT	12	
37A	0207008000	HEX. NUT	12	
38	C2367700404	COVER	1	
39	0019208020	HEX. HEAD BOLT	2	
40	C4464102903	ROOF PANEL	1	
41	C4464103003	ROOF PANEL	1	
42	C4464103103	ROOF PANEL	1	
43	0207108000	HEX. NUT	12	
44	8452023004	COVER	1	
45	0019208020	HEX. HEAD BOLT	2	
46	0019208020	HEX. HEAD BOLT	32	
47	C4464502404	GUTTER	2	

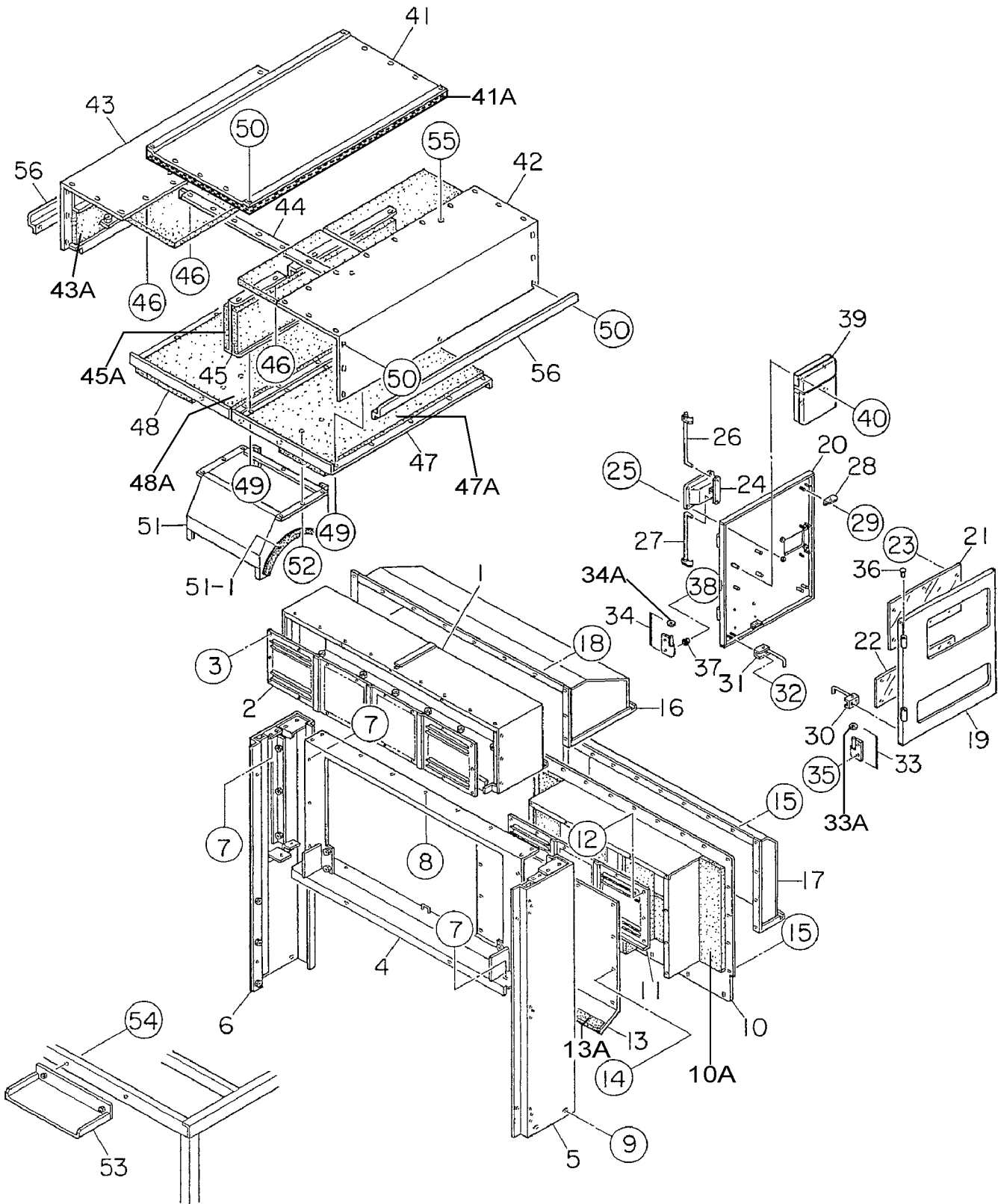
ENCLOSURE #2 ASSY.



ENCLOSURE #2 ASSY.

<u>NO.</u>	<u>PART NO.</u>	<u>PART NAME</u>	<u>QTY.</u>	<u>REMARKS</u>
1	C4444001303	REAR FRAME	1	
2	3875151004	LOUVER PANEL	1	
3	0207106000	HEX. NUT	21	
4	C4444000103	REAR FRAME	1	
5	C4444000203	REAR FRAME	1	
6	C4444000303	REAR FRAME	1	
7	0017110025	HEX. HEAD BOLT	18	
8	0017108020	HEX. HEAD BOLT	5	
9	0019210025	HEX. HEAD BOLT	4	
10	7975155003	COVER, REAR FRAME	1	
10A	3875944104	ACOUSTIC SHEET	1	
11	3875151104	LOUVER PANEL	1	
12	0207006000	HEX. NUT	16	
13	C4444301204	DUCT COVER	1	
13A	8495946104	ACOUSTIC SHEET	1	
14	0017108020	HEX. HEAD BOLT	17	
15	0019208020	HEX. HEAD BOLT	23	
16	C4444300703	VISOR	1	
17	3875165803	VISOR	1	
18	0019208020	HEX. HEAD BOLT	12	
19	7975143003	DOOR, REAR FRAME	1	
20	C4444201503	DOOR , REAR FRAME	1	
21	3875147204	WINDOW PLATE	1	
22	3875147304	WINDOW PLATE	1	
23	0207306000	SUPER LOCK NUT	12	
24	B9114000102	DOOR HANDLE	1	
25	0021806015	MACHINE SCREW	4	
26	7975146004	DOOR ROD	1	
27	7975146104	DOOR ROD	1	
28	0845050704	STAY	4	
29	0207106000	HEX. NUT	8	
30	0805011304	STOPPER, DOOR	1	
31	0805011204	STOPPER, DOOR	1	
32	0207106000	HEX. NUT	4	
33	0845047104	HINGE	2	
33A	0845045004	WASHER	2	
34	0845047204	HINGE	2	
34A	0845045004	WASHER	2	
35	0019208020	HEX. HEAD BOLT	6	
36	0845031504	CAP	4	
37	0601850097	STOPPER	2	
38	0025408025	MACHINE SCREW	2	
39	0600800320	MANUAL PACK	1	
40	0207106000	HEX. NUT	4	
41	C4464202303	ROOF PANEL	1	
41A	C4494501604	ACOUSTIC SHEET	1	

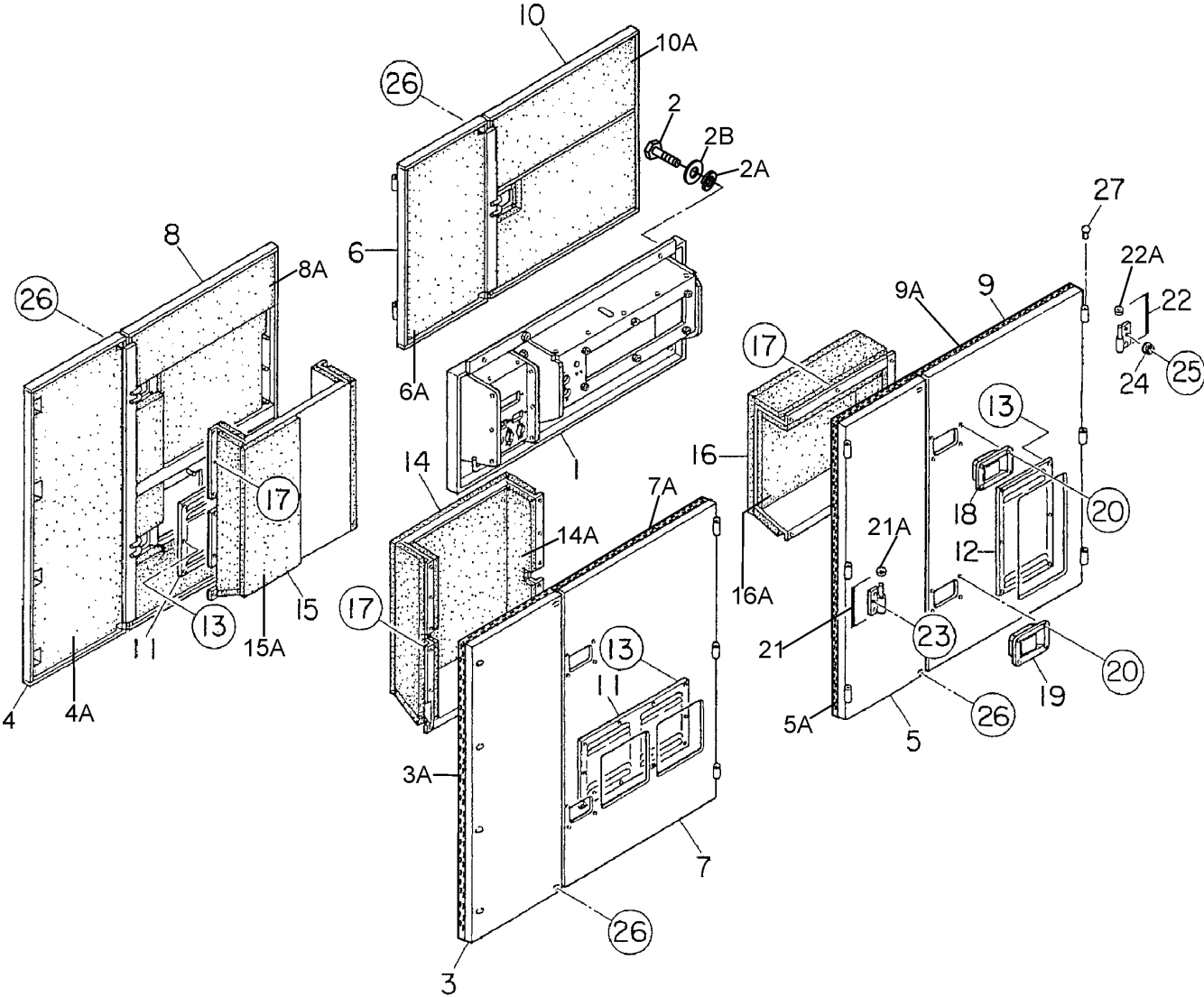
ENCLOSURE #2 ASSY. (CONTINUED)



ENCLOSURE #2 ASSY. (CONTINUED)

<u>NO.</u>	<u>PART NO.</u>	<u>PART NAME</u>	<u>QTY.</u>	<u>REMARKS</u>
42	C4464202403	ROOF PANEL	1	
42A	C4494501604	ACOUSTIC SHEET	1	
43	C4464202503	ROOF PANEL	1	
43A	C4494501604	ACOUSTIC SHEET	1	
44	C4464501804	GUTTER	1	
45	C4464502304	PANEL	1	
45A	C4494501604	ACOUSTIC SHEET	1	
46	0207008000	HEX. NUT	26	
47	C4464502204	COVER, ROOF PANEL	1	
47A	C4494501704	ACOUSTIC SHEET	1	
48	C4464502104	COVER, ROOF PANEL	1	
48A	C4494501704	ACOUSTIC SHEET	1	
49	0017108020	HEX. HEAD BOLT	20	
50	0019208020	HEX. HEAD BOLT	32	
51	C4374200503	COVER, AIR CLEANER	1	
51-1	0310000520	RUBBER SEAL	1	
52	0017108020	HEX. HEAD BOLT	8	
53	C3374200104	COVER, AIR CLEANER	1	
54	0017108020	HEX. HEAD BOLT	2	
55	0019210025	HEX. HEAD BOLT	4	
56	C4464502504	GUTTER	2	

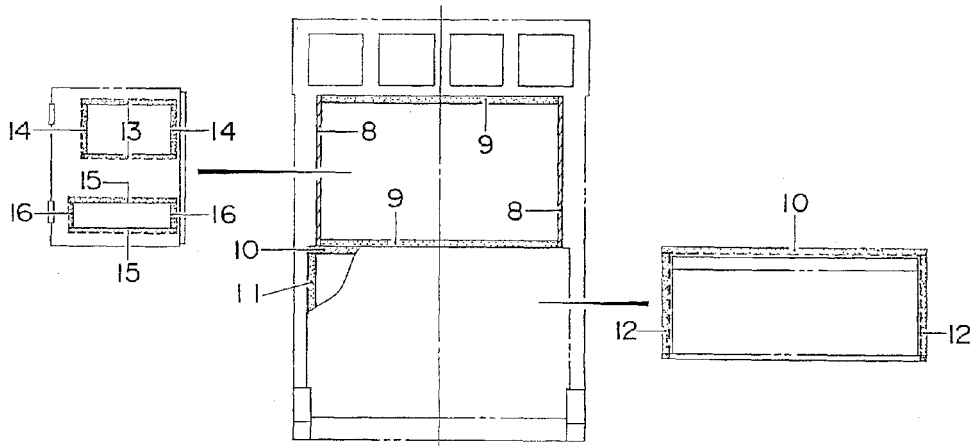
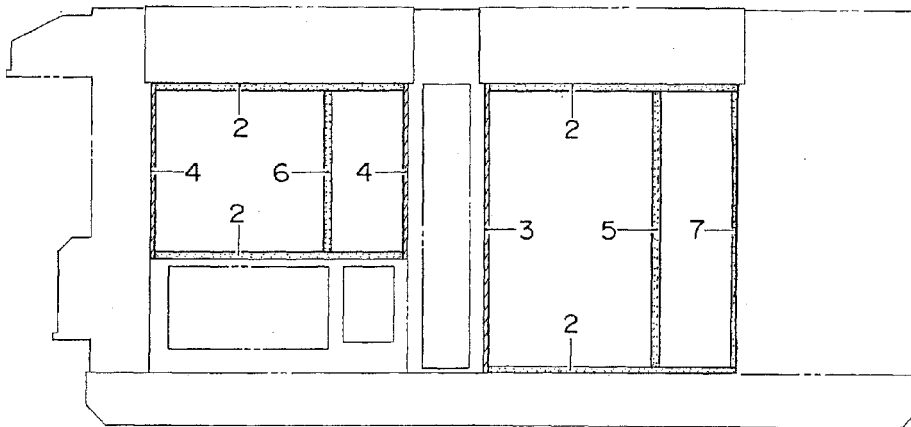
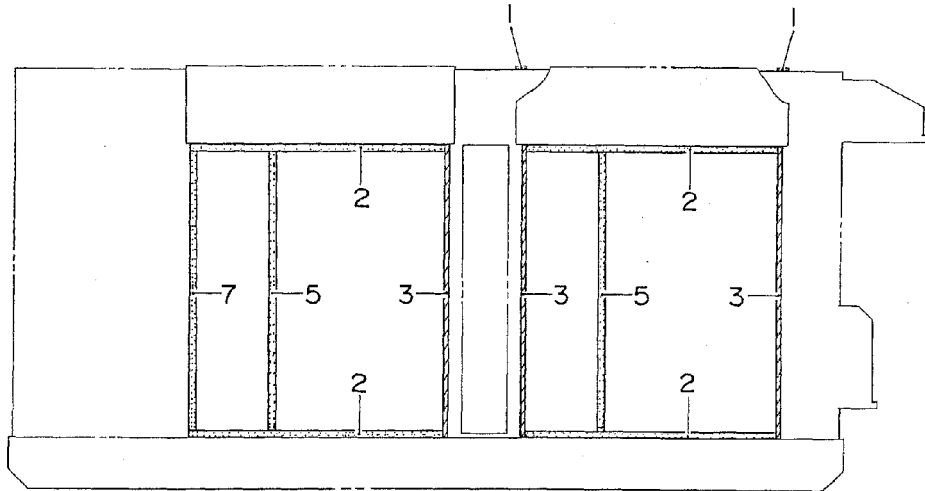
ENCLOSURE #3 ASSY.



ENCLOSURE #3 ASSY.

<u>NO.</u>	<u>PART NO.</u>	<u>PART NAME</u>	<u>QTY.</u>	<u>REMARKS</u>
1	C4454206003	SPLASHER PANEL	1	
2	0019110070	HEX. HEAD BOLT	6	
2A	0042310000	SPRING WASHER	6	
2-B	0042410000	PLAIN WASHER	6	
3	C4454102803	SIDE PANEL	1	
3A	C4494409504	ACOUSTIC SHEET	1	
4	C4454102903	SIDE PANEL	1	
4A	C4494409404	ACOUSTIC SHEET	1	
5	C4454103003	SIDE PANEL	1	
5A	C4494409304	ACOUSTIC SHEET	1	
6	C4454103103	SIDE PANEL	1	
6A	C4494409204	ACOUSTIC SHEET	1	
7	C4454004103	SIDE DOOR	1	
7A	C4494408604	ACOUSTIC SHEET	1	
8	C4454004203	SIDE DOOR	1	
8A	C4494408704	ACOUSTIC SHEET	1	
9	C4454004303	SIDE DOOR	1	
9A	C4494408804	ACOUSTIC SHEET	1	
10	C4454004403	SIDE DOOR	1	
10A	C4494409104	ACOUSTIC SHEET	1	
11	3875151204	LOUVER PANEL	2	
12	7975151004	LOUVER PANEL	1	
13	0207106000	HEX. NUT	28	
14	C4454301904	DUCT	1	
14A	C4494408904	ACOUSTIC SHEET	1	
15	C4454302004	DUCT	1	
15A	C4494409604	ACOUSTIC SHEET	1	
16	C4453402104	DUCT	1	
16A	C4494409004	ACOUSTIC SHEET	1	
17	0207106000	HEX. NUT	35	
18	B9114000002	DOOR HANDLE	4	
19	0825007362	DOOR HANDLE	3	
20	0021806015	MACHINE SCREW	28	
21	0845046904	HINGE	8	
21A	0845045004	WASHER	8	
22	0845047004	HINGE	8	
22A	0845045004	WASHER	8	
23	0019208020	HEX. HEAD BOLT	37	
24	0601850097	STOPPER	11	
25	0025408025	MACHINE SCREW	11	
26	0019208070	HEX. HEAD BOLT	16	
27	0845031504	CAP	16	

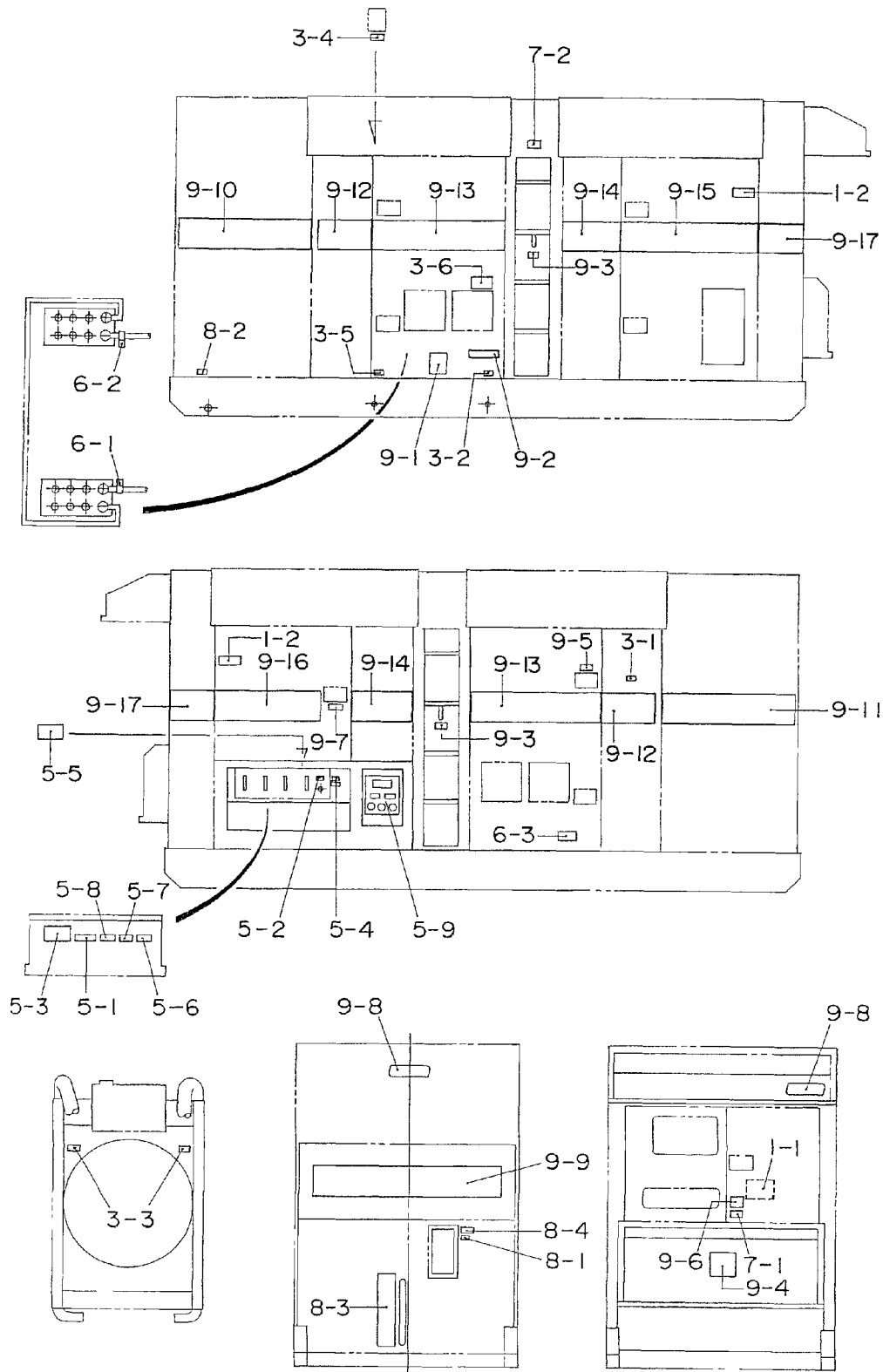
RUBBER SEAL ASSY.



RUBBER SEAL ASSY.

<u>NO.</u>	<u>PART NO.</u>	<u>PART NAME</u>	<u>QTY.</u>	<u>REMARKS</u>
1	0229201650	RUBBER SEAL	2	
2	0228901440	RUBBER SEAL	8	
3	0228901670	RUBBER SEAL	4	
4	0228901020	RUBBER SEAL	2	
5	0228901610	RUBBER SEAL	3	
6	0228900960	RUBBER SEAL	1	
7	0228801610	RUBBER SEAL	2	
8	0228800860	RUBBER SEAL	2	
9	0228801380	RUBBER SEAL	2	
10	0229201490	RUBBER SEAL	2	
11	0229200780	RUBBER SEAL	2	
12	0229200595	RUBBER SEAL	2	
13	0228100500	RUBBER SEAL	2	
14	0228100270	RUBBER SEAL	2	
15	0228100580	RUBBER SEAL	2	
16	0228100140	RUBBER SEAL	2	

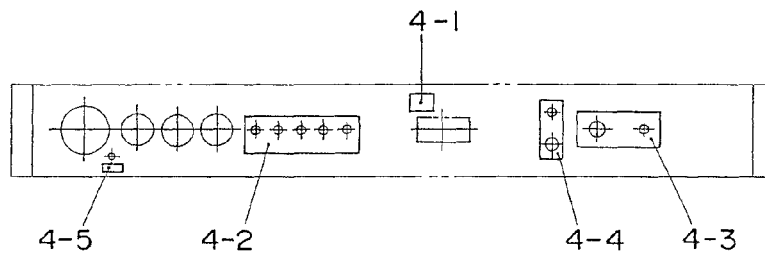
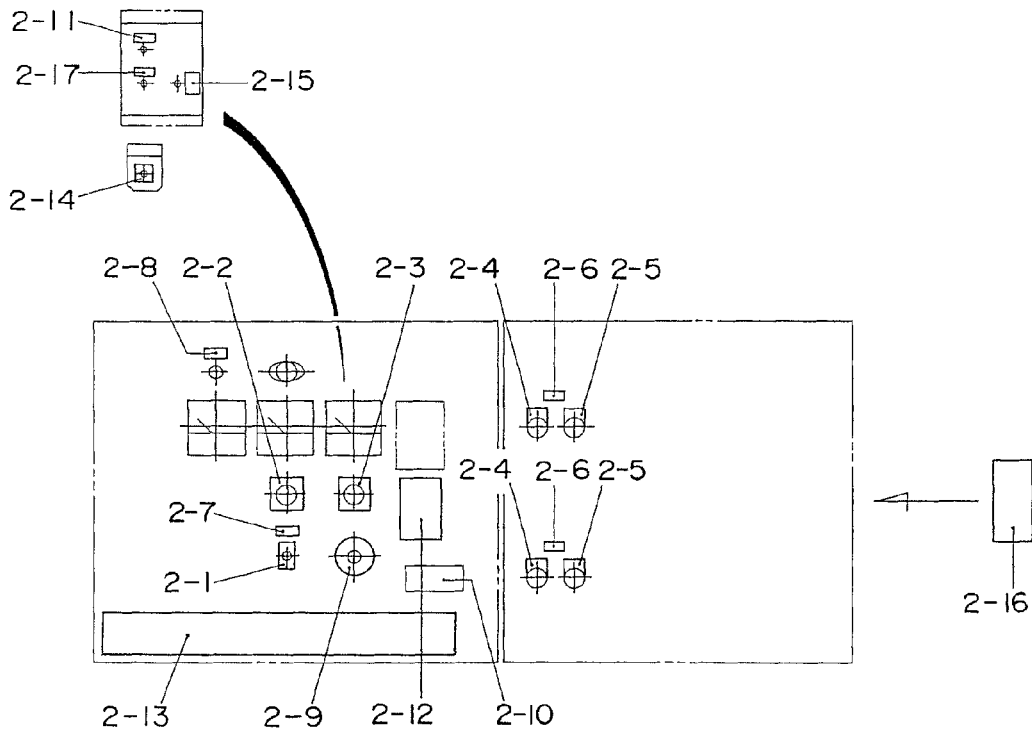
NAMEPLATE AND DECALS



NAMEPLATE AND DECALS

<u>NO.</u>	<u>PART NO.</u>	<u>PART NAME</u>	<u>QTY.</u>	<u>REMARKS</u>
1-1	C3551002303	DECAL: HANDLING PROCEDURES	1	
1-2	C9522100003	DECAL: CAUTION	2	
2-1	0800520100	PLATE: ON-OFF	1	
2-2	0800520904	PLATE: AMMETER CHANGE-OVER SWITCH	1	
2-3	0800520814	PLATE: VOLTMETER CHANGE-OVER SWITCH	1	
2-4	0800564004	DECAL: OFF	2	
2-5	0800565004	DECAL: ON	2	
2-6	0840624504	DECAL: CIRCUIT BREAKER	2	
2-7	0840624604	DECAL: PANEL LIGHT SWITCH	1	
2-8	0840624704	DECAL: PILOT LAMP	1	
2-9	0840624804	DECAL: VOLTAGE REGULATOR	1	
2-10	B9531100604	DECAL: ELECTRIC SHOCK HAZARD	1	
2-11	C3551001004	DECAL: DIAGNOSTIC LAMP	1	
2-12	C3551003204	DECAL: CAUTION ECU	1	
2-13	C4561101903	DECAL: WHISPERWATT 600	1	
2-14	C9502400004	DECAL: HIGH IDLE SPEED	1	
2-15	C9521007004	DECAL: CHANGE-OVER SWITCH	1	
2-16	C9521203003	DECAL: OUTPUT VOLTAGE SETTING	1	
2-17	Z0110001504	DECAL: RESET	1	
3-1	6360610304	DECAL: WATER	1	
3-2	6360620204	DECAL: OIL DRAIN PLUG	1	
3-3	B9504000404	DECAL: WARNING MOVING PARTS	2	
3-4	B9504100104	DECAL: WARNING HOT COOLANT	1	
3-5	C6551002704	DECAL: COOLING WATER DRAIN PLUG	1	
3-6	C4551003103	DECAL: AIR BLEEDING PROCEDURE	1	
4-1	C0551000504	DECAL: BATTERY SWITCH	1	
4-2	C4551002804	DECAL: ALARM LAMP	1	
4-3	C4551002904	DECAL: EMERGENCY & ENGINE SPEED	1	
4-4	C4551003004	DECAL: PREHEAT	1	
4-5	C4551003204	DECAL: HOUR METER	1	
5-1	C0551000404	DECAL: 3-PHASE OUTPUT TERMINAL	1	
5-2	0840614104	DECAL: GROUND	1	
5-3	0840619904	DECAL: DANGER HIGH VOLTAGE	1	
5-4	9039209064	DECAL: START CONTACT	1	
5-5	0840655704	DECAL: TERMINAL COVER STOPPER	1	
5-6	B9511100304	DECAL: WARNING	1	
5-7	B9511100404	DECAL: ELECTRIC SHOCK HAZARD	1	
5-8	B9531100504	DECAL: ELECTRICK SHOCK HAZARD	1	
5-9	C4551001703	DECAL: RECEPTACLE & CIR. BREAKER	1	
6-1	0800689404	DECAL: +	1	
6-2	0800689504	DECAL: -	1	
6-3	C9505300004	DECAL: CAUTION	1	

NAMEPLATE AND DECALS (CONTINUED)



NAMEPLATE AND DECALS (CONTINUED)

<u>NO.</u>	<u>PART NO.</u>	<u>PART NAME</u>	<u>QTY.</u>	<u>REMARKS</u>
7-1	B9504200004	DECAL: WARNING ENGINE EXHAUST	1	
7-2	B9511100204	DECAL: CAUTION HOT SURFACES	1	
8-1	1320620904	DECAL: DIESEL FUEL	1	
8-2	6360620004	DECAL: FUEL DRAIN PLUG	1	
8-3	0840607104	DECAL: FUEL GAUGE	1	
8-4	B9504500004	DECAL: WARNING DIESEL FUEL	1	
9-1	0800615102	DECAL: CAUTION AGAINST OIL AND	1	
9-2	1320610603	DECAL: WATER OIL	1	
9-3	1320621504	DECAL: SUPPORT HOOK	2	
9-4	0840625902	DECAL: MQ	1	
9-5	B9504000304	DECAL: CAUTION HOT PARTS	1	
9-6	B9521100404	DECAL: SAFETY INSTRUCTIONS	1	
9-7	B9531100604	DECAL: ELECTRIC SHOCK HAZARD	1	
9-8	0600500090	EMBLEM	2	
9-8A	0021106016	MACHINE SCREW	4	
9-9	C4561101603	STRIPE	1	
9-10	C4561102503	STRIPE	1	
9-11	C4561102303	STRIPE	1	
9-12	C4561102204	STRIPE	2	
9-13	C4561102604	STRIPE	2	
9-14	C4561102104	STRIPE	2	
9-15	C4561102403	STRIPE	1	
9-16	C4561102003	STRIPE	1	
9-17	C4561102704	STRIPE	2	