



RIDE-ON TERMINATORS

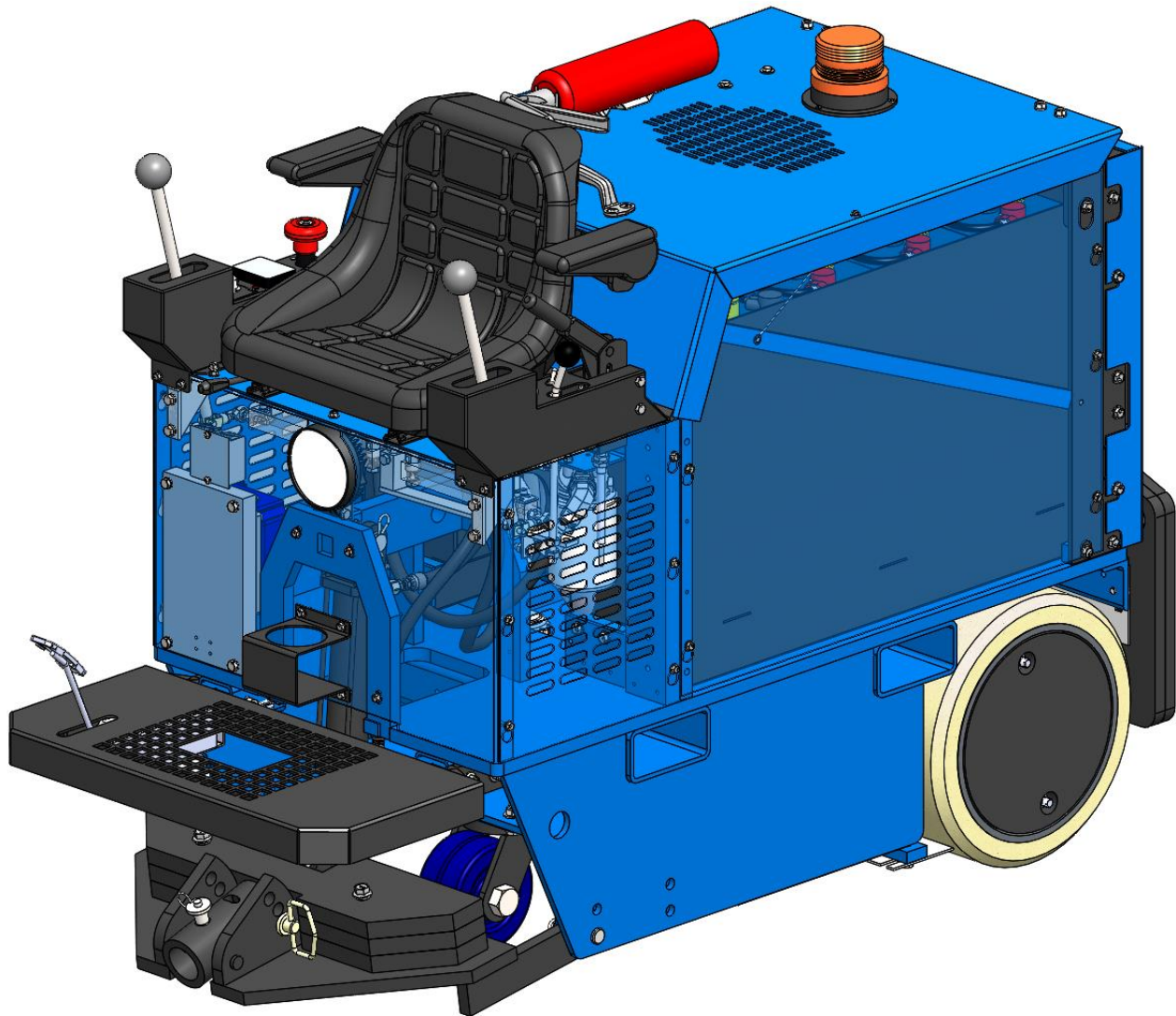
T-3000EI

COMPLETE MANUAL



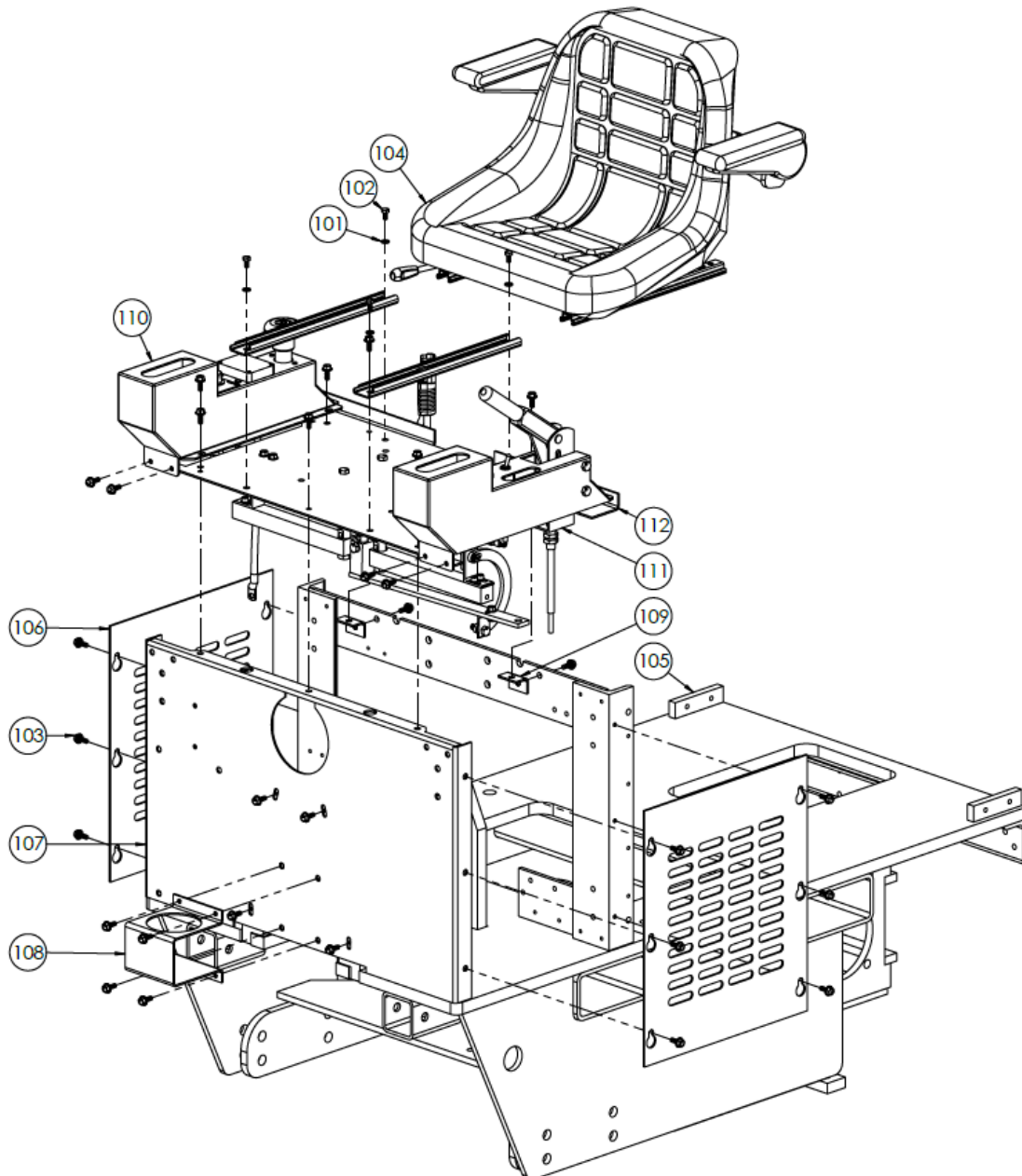
23. Parts List

T-3000EI Terminator



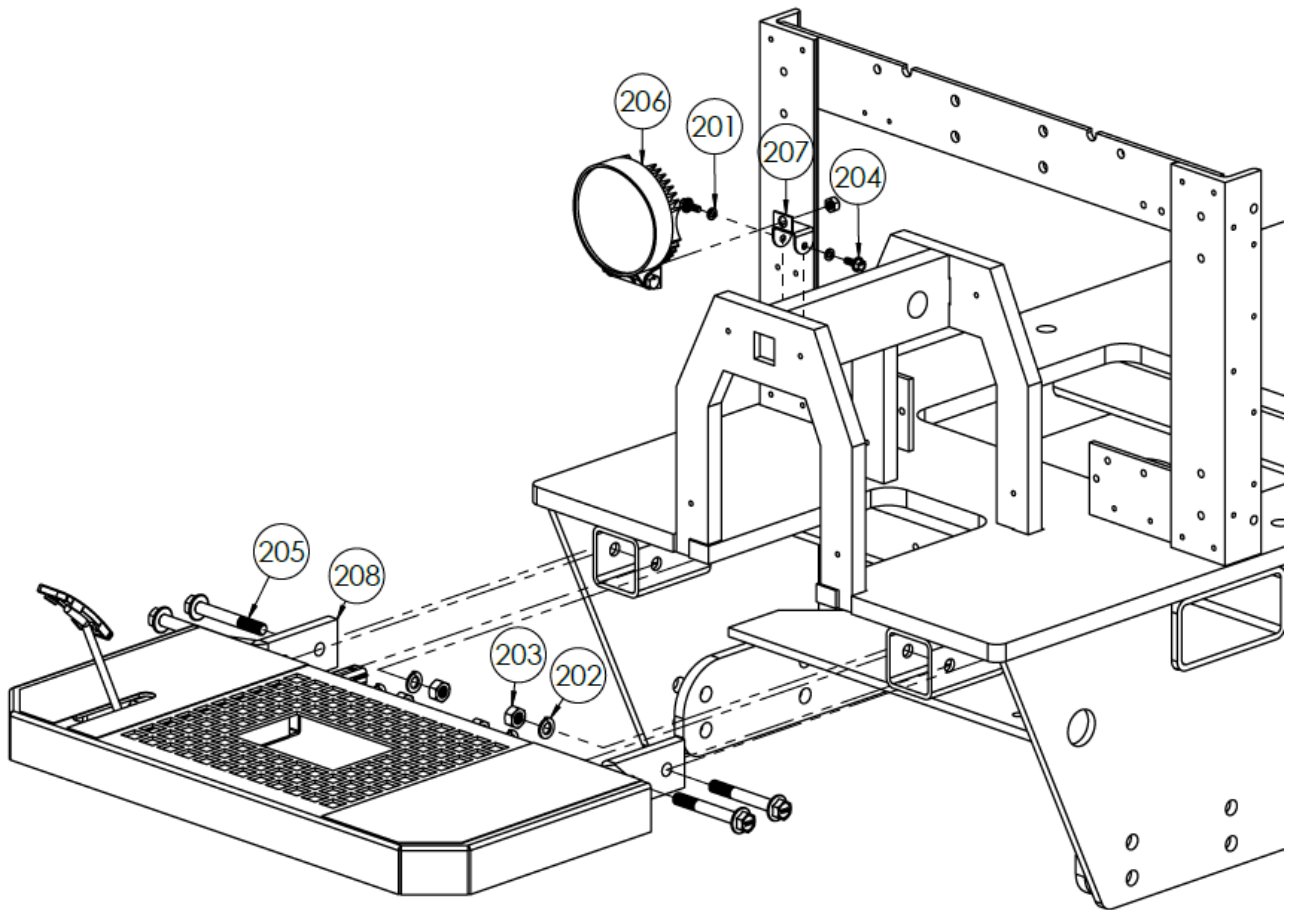
Front Panels & Seat Breakdown

Item No.	Part Number	Description	Qty.
101	12-0018-06	Lock Washer, M6	4
102	12-0026	Hex Head Cap Screw, M6-1.0 x 12mm	4
103	12-0043-16	Serrated Flange Cap Screw, M6-1.0 x 16mm	35
104	13-0049	GT50 Seat	1
105	53-0363	Uni-Frame Assembly	1
106	53-0370	Uni-Frame Front Side Panel	2
107	53-0371	EI Front Panel	1
108	53-0376	Uni-Frame Cup Holder	1
109	53-0397	Uni-Frame Seat Mounting Bracket	2
110	96-0344	EI Right Console Assembly	1
111	96-0370	Uni-Frame Left Console Assembly	1
112	96-0390	EI Seat Platform Assembly	1



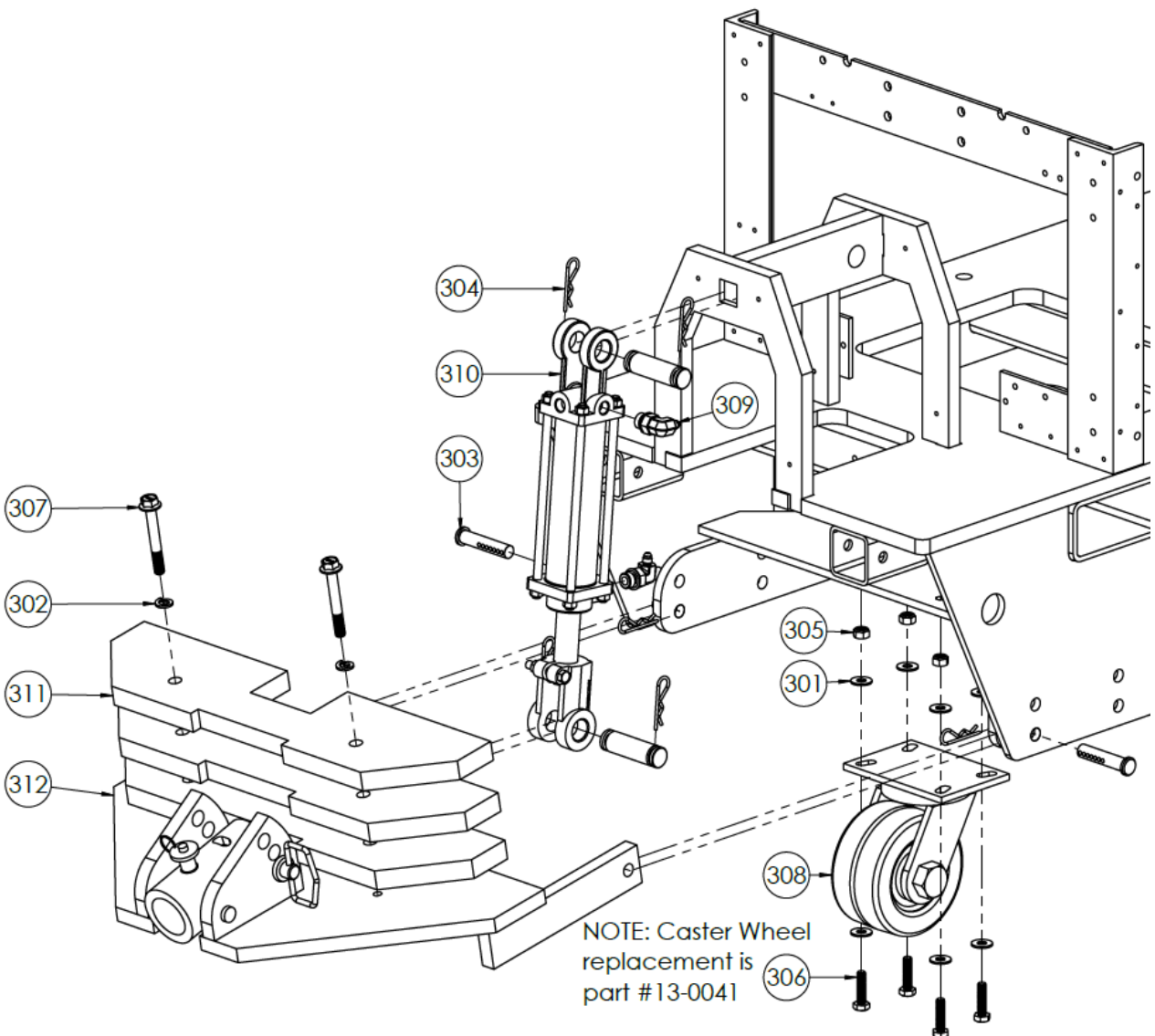
Front Exterior (1) Breakdown

Item No.	Part Number	Description	Qty.
201	12-0018-06	Lock Washer, M6	2
202	12-0018-12	Lock Washer, M12	4
203	12-0027-12	Hex Nut, M12-1.75	4
204	12-0043-16	Serrated Flange Cap Screw, M6-1.0 x 16mm	2
205	12-0046	Flange Head Cap Screw, M12-1.75 x 90mm	4
206	22-0065	4.5" LED Headlight	1
207	53-0400	Headlight Mount	1
208	96-0353	Uni-Frame Foot Rest Assembly	1



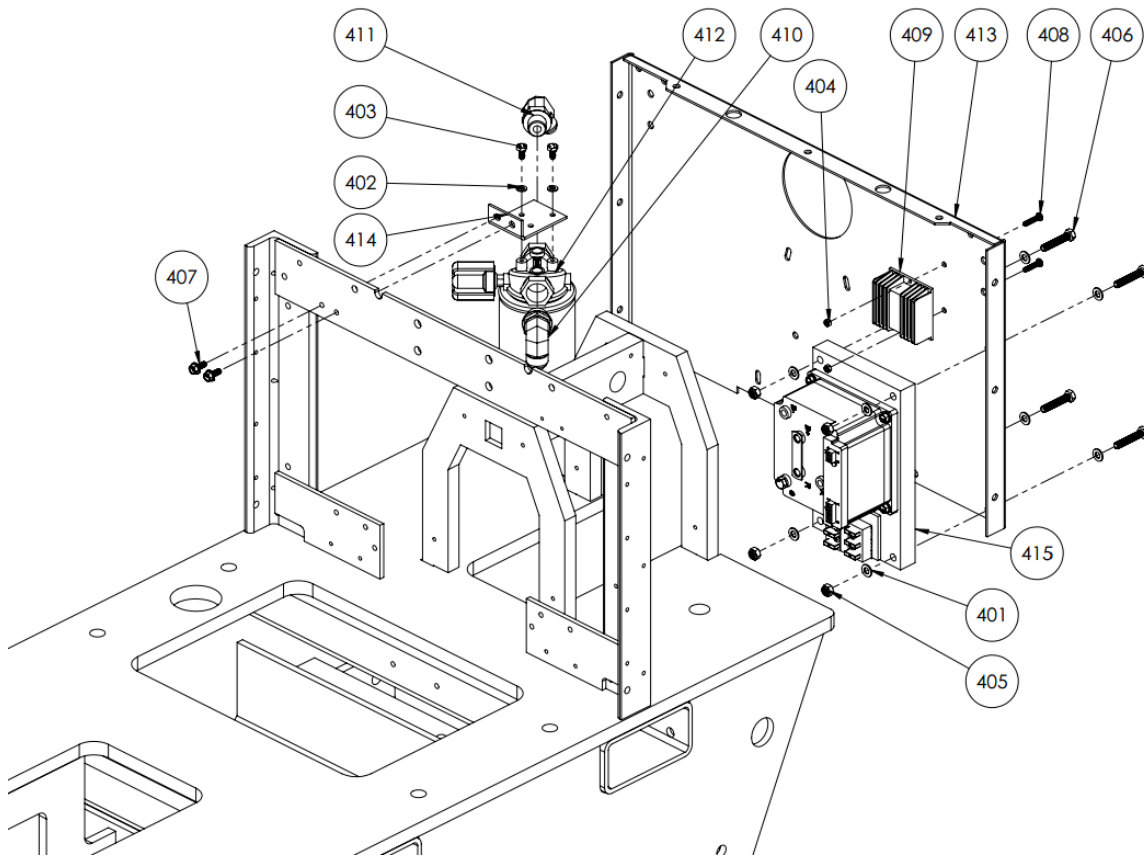
Front Exterior (2) Breakdown

Item No.	Part Number	Description	Qty.
301	11-0035	USS Flat Washer, 3/8"	8
302	11-0041	Lock Washer, 1/2"	2
303	11-0045	Adjustable Clevis Pin, 5/8" x 3" L	2
304	11-0052	Hitch Pin	6
305	12-0021-10	Nyloc Nut, M10-1.5	4
306	12-0034-40	Hex Head Cap Screw, M10-1.5 x 40mm	4
307	12-0046	Flange Head Cap Screw, M12-1.75 x 90mm	2
308	13-0378	Caster Wheel Replacement	1
309	31-0043	Hydraulic Fitting, 90 deg 4 JIC – 8 SAE	2
310	34-0015	Front Hydraulic Ram (90 deg)	1
311	51-1070	Uni-Frame Pivoting Jaw Weight	3
312	96-0386	Pivoting Jaw Assembly	1



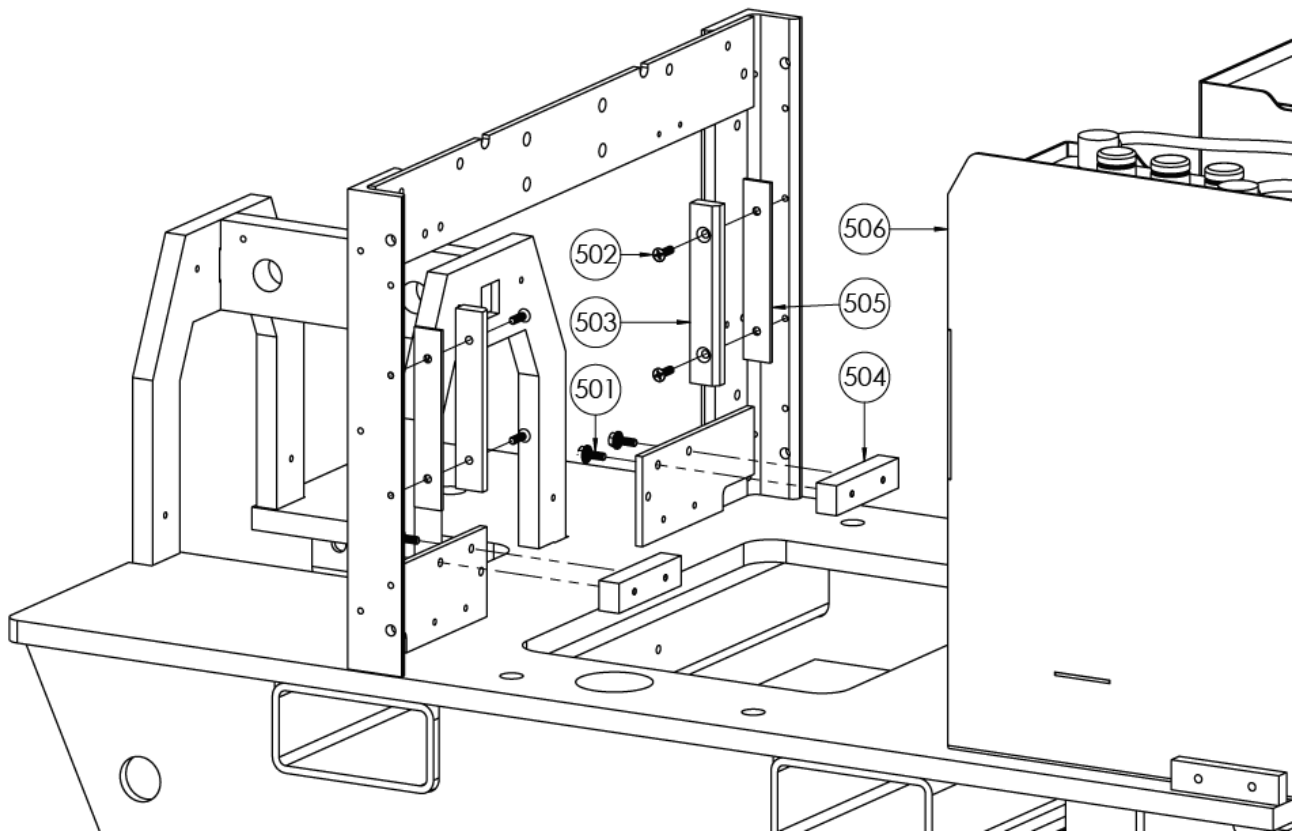
Front Interior Breakdown

Item No.	Part Number	Description	Qty.
401	12-0035-08	Flat Washer, M8	8
402	11-0069	Lock Washer, 1/4 "	2
403	11-0092	Hex Head Cap Screw, 1/4"-20 x 1/2"	2
404	12-0021-05	Nyloc Nut, M5-0.8	4
405	12-0021-08	Nyloc Nut, M8-1.25	4
406	12-0032-45	Hex Head Cap Screw, M8-1.25 x 45mm	2
407	12-0043-16	Serrated Flange Cap Screw, M6-1.0 x 16mm	2
408	12-0047-25	Pan Head Philips Screw, M5-0.8 x 25mm	1
409	24-0199	48-12V DC Converter	1
410	31-0051	Hydraulic Fitting, 90 deg 12 JIC – 12 SAE	1
411	31-0052	Hydraulic Fitting, 90 deg 10 JIC – 12 SAE	1
412	35-0036	Hydraulic Oil Filter	1
413	53-0371	EI Front Panel	1
414	53-0398	Filter Bracket	1
415	96-0345	Power Control Module	1



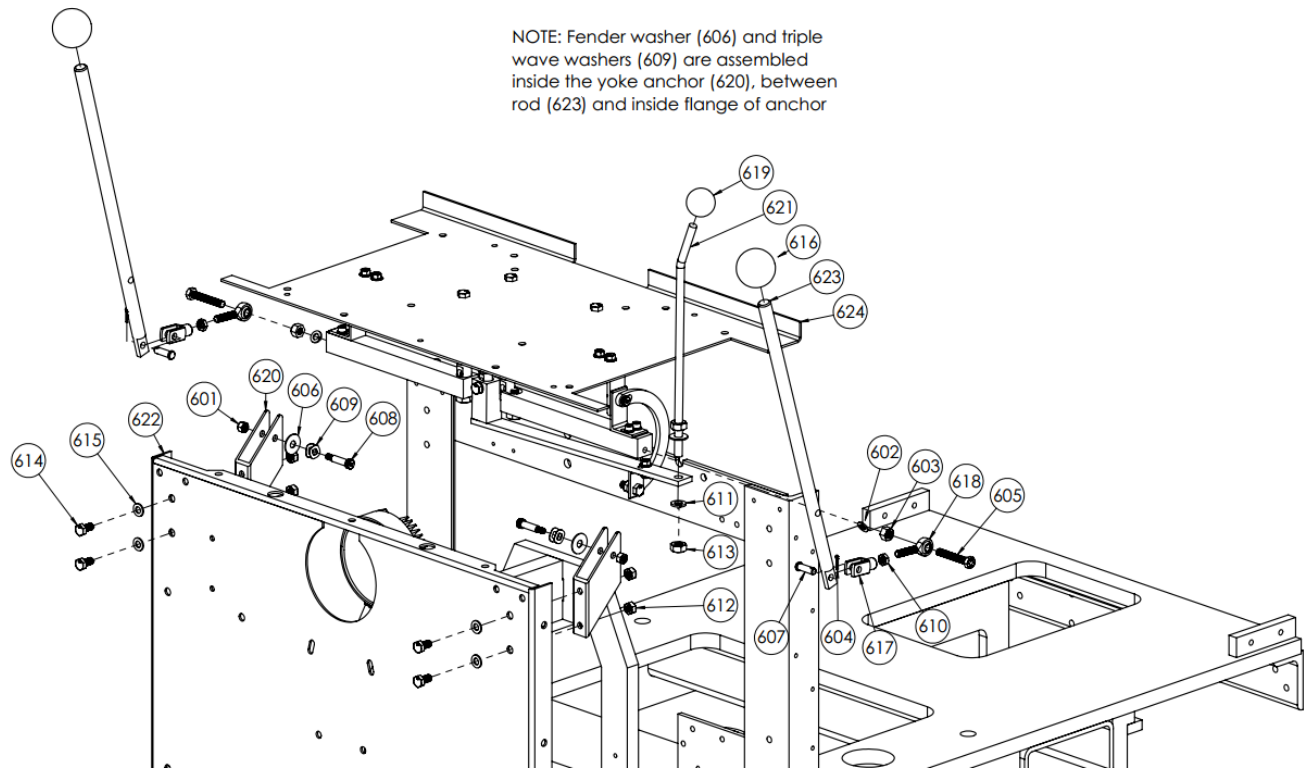
Battery Area Breakdown

Item No.	Part Number	Description	Qty.
501	12-0043-16	Serrated Flange Cap Screw, M6-1.0 x 16mm	4
502	12-0045-20	Flat Head Phillips Screw, M6-1.0 x 20mm	4
503	51-1050	Uni-Frame Battery Guide, Front	2
504	53-0399	Uni-Frame Battery Stop	2
505	53-0405	Uni-Frame Battery Guide Spacer, Front	2
506	71-0014	T3000EI Battery Pack, Non-AGM	1



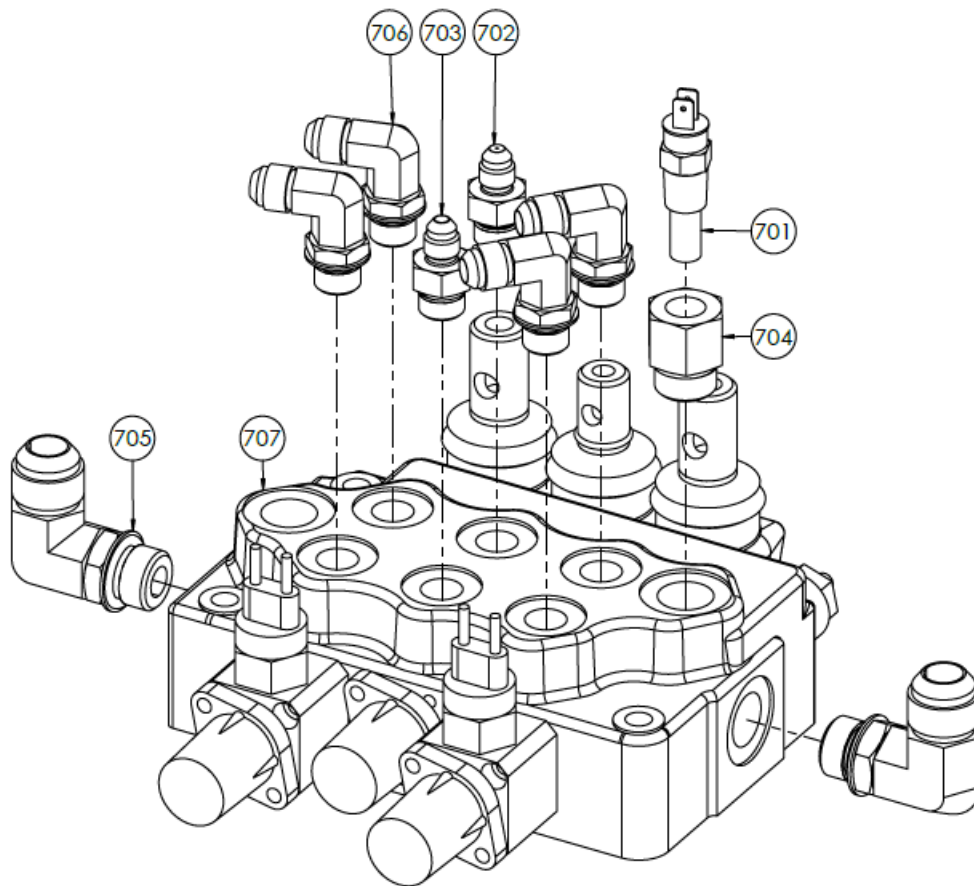
Linkages Breakdown

Item No.	Part Number	Description	Qty.
601	11-0024	Nyloc Nut, 1/4"-20	2
602	11-0040	Lock Washer, 5/16"	2
603	11-0067	Hex Nut, 5/16"-18	2
604	11-0073	Cotter Pin	2
605	11-0175	Hex Head Cap Screw, 5/16"-18 x 3"	2
606	11-0232	Fender Washer, 5/16"	2
607	11-0277	Clevis Pin, 5/16" x 1"	2
608	11-0294-16	Socket Head Shoulder Screw, 5/16" x 1", 1/4"-20	2
609	11-0303	Triple Wave Washer, 1/4" – 5/16"	4
610	11-0352	Hex Jam Nut, 5/16"-24	2
611	12-0018-10	Lock Washer, M10	1
612	12-0021-08	Nyloc Nut, M8-1.25	4
613	12-0027-10	Hex Nut, M10-1.5	2
614	12-0032-25	Hex Head Cap Screw, M8-1.25 x 25mm	4
615	12-0035-08	Flat Washer, M8	4
616	13-0300	Knob, SØ 1 7/8", 5/8"-11	2
617	13-0380	Linkage Yoke End	2
618	13-0381	Linkage Rod End	2
619	13-0383	Knob, SØ 35mm, M10-1.5	1
620	51-0699	Yoke Anchor	2
621	53-0409	Uni-Frame Jaw Joystick Rod	1
622	53-0371	EI Front Panel	1
623	53-0389	Uni-Frame Joy Stick Rod	2
624	96-0390	EI Seat Platform Assembly	1



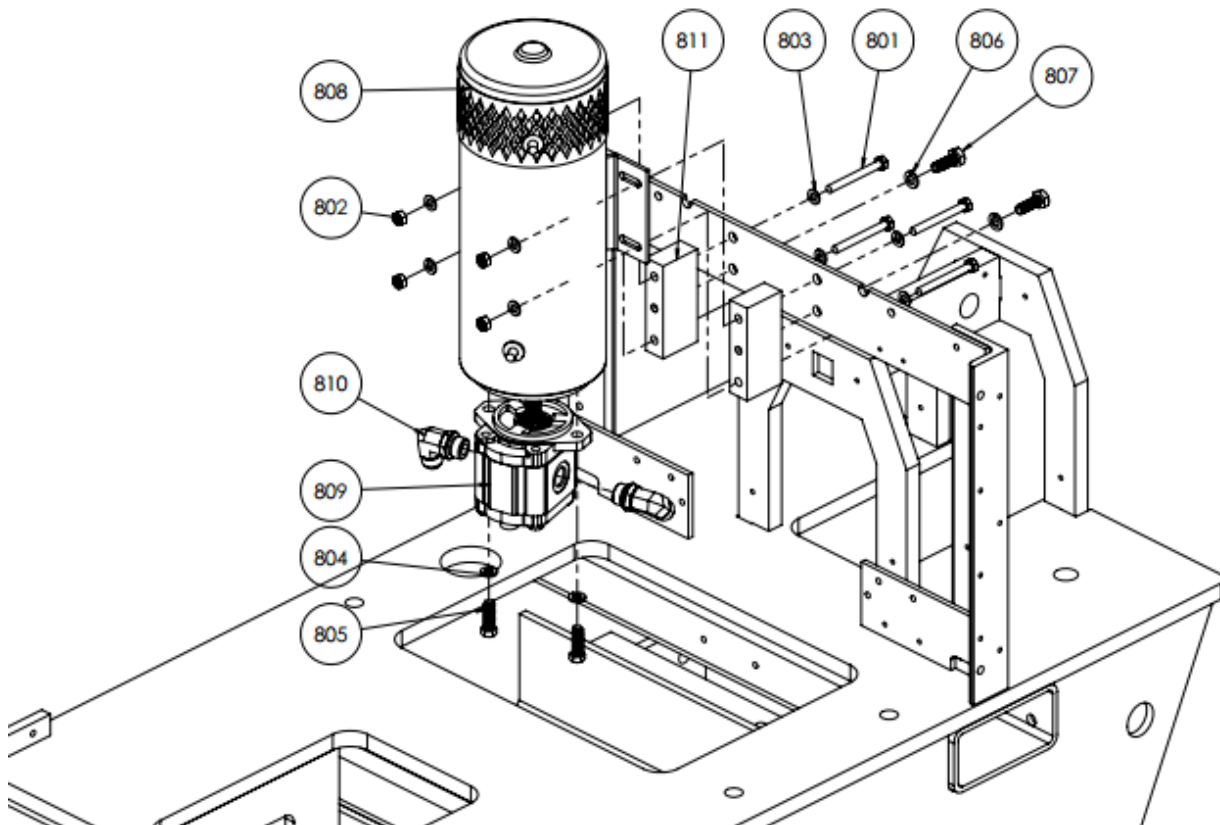
Valve Block Breakdown

Item No.	Part Number	Description	Qty.
701	22-0007	Oil Temperature Switch	1
702	31-0022	Hydraulic Fitting, Flow Reducer 4 JIC – 6 SAE	1
703	31-0024	Hydraulic Fitting, 4 JIC – 6 SAE	1
704	31-0045	Hydraulic Fitting, 8 SAE – 1/4" NPTF	1
705	31-0048	Hydraulic Fitting, 90 deg 10 JIC – 8 SAE	2
706	31-0056	Hydraulic Fitting, 90 deg 6 JIC – 6 SAE	4
707	35-0050	3-Section Hydraulic Control Valve	1



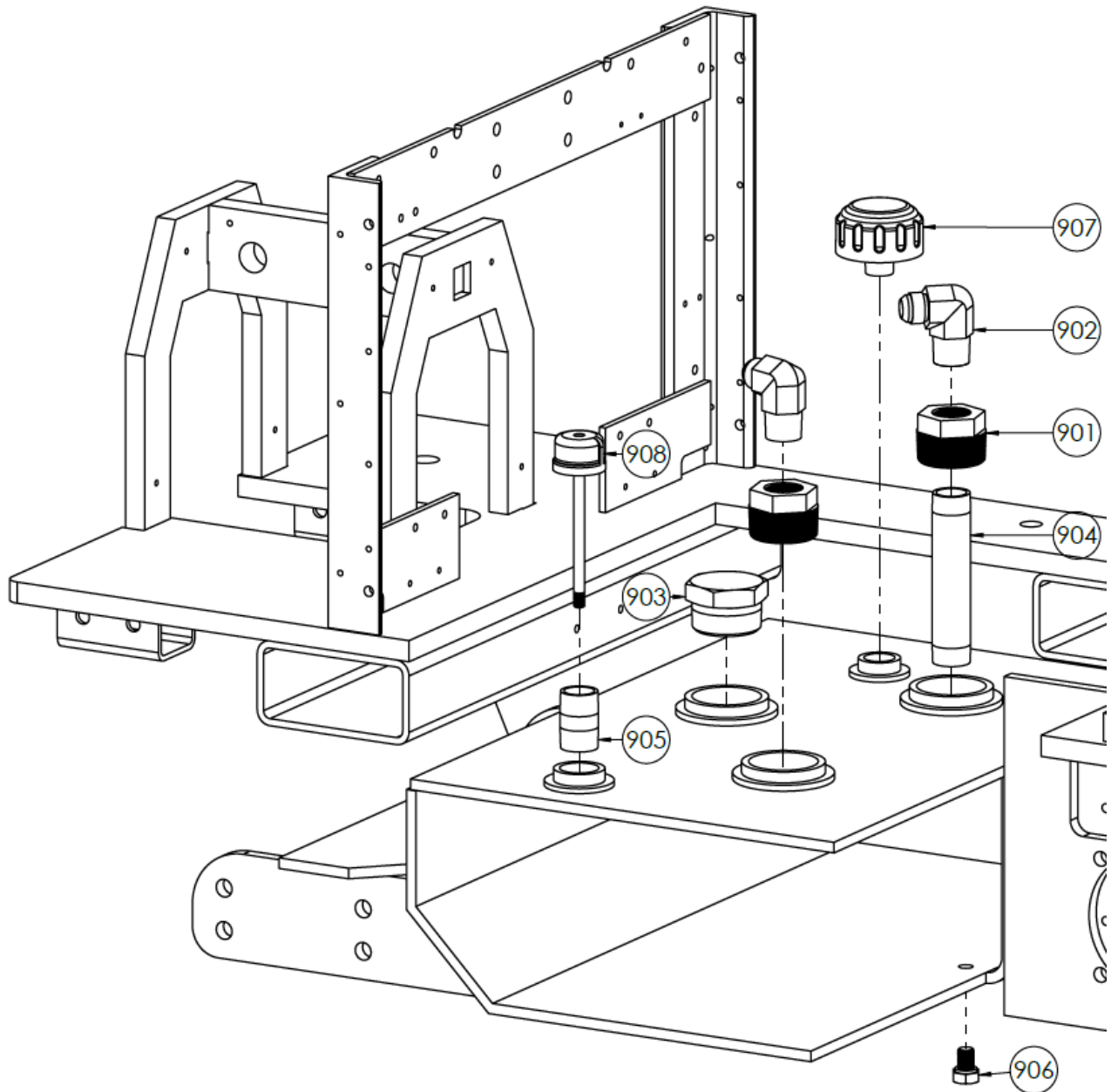
Motor & Pump Breakdown

Item No.	Part Number	Description	Qty.
801	11-0005	Hex Head Cap Screw, 5/16"-18 x 3"	4
802	11-0025	Nyloc Nut, 5/16"-18	4
803	11-0034	USS Flat Washer, 5/16"	8
804	11-0129	Lock Washer, 3/8"	2
805	11-0295-20	Hex Head Cap Screw, 3/8"-24 x 1 1/4"	2
806	12-0018-10	Lock Washer, M10	2
807	12-0024	Hex Head Cap Screw, M10-1.5 x 30mm	2
808	23-0002	48V Electric Motor	1
809	31-0020	EI Gear Pump	1
810	31-0038	Hydraulic Fitting, 90 deg 10 JIC – 10 SAE	2
811	53-0396	EI Motor Mount	2



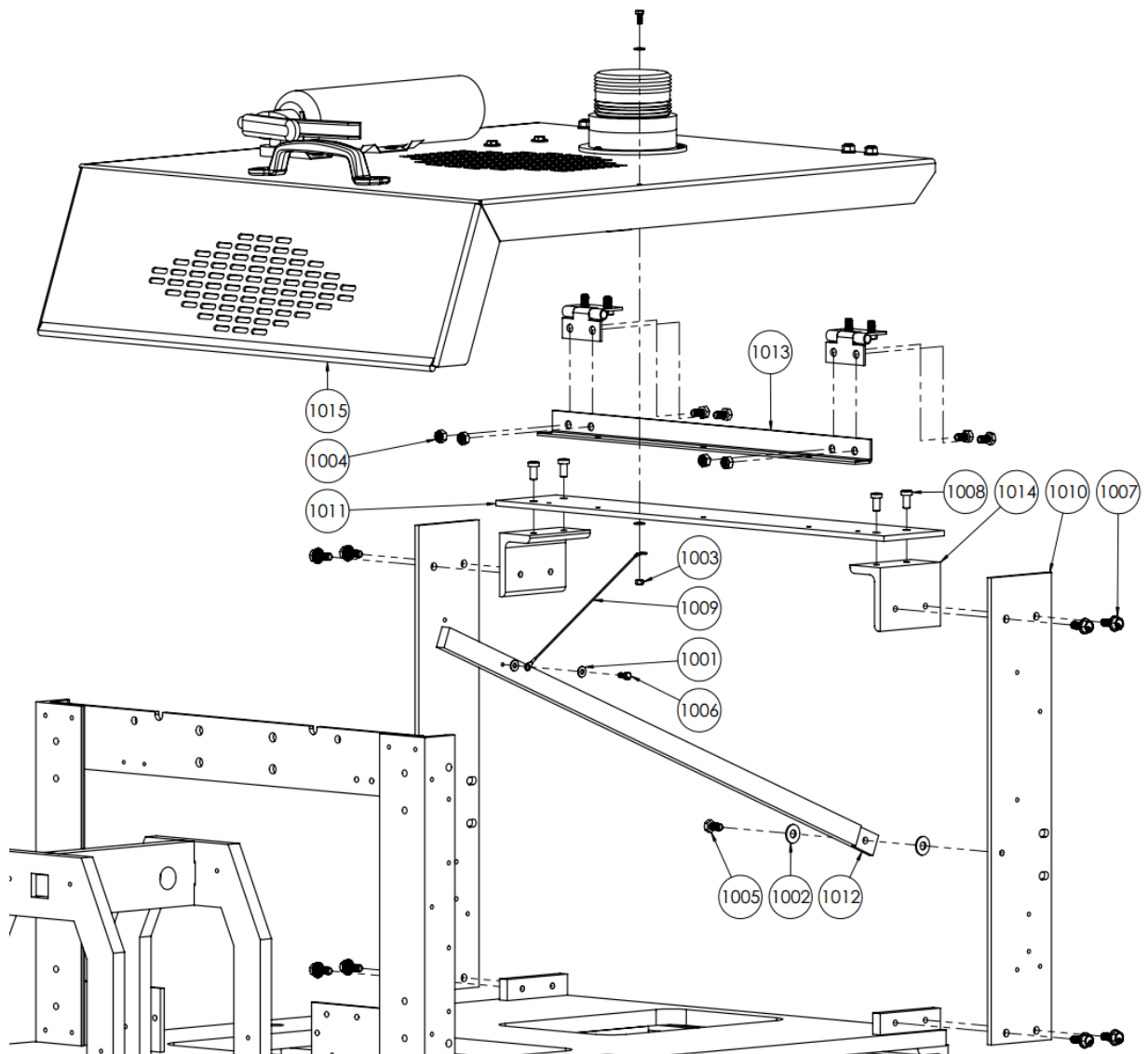
Tank Fittings Breakdown

Item No.	Part Number	Description	Qty.
901	31-0124	Threaded Tank Fitting, 2" Male, 1" x 1" Female	2
902	31-0128	Hydraulic Fitting, 90 deg 12 JIC – 1" NPTF Male	2
903	31-0252	Hex Head Pipe Plug, 2" NPT	1
904	35-0004	Pipe Nipple, 1" NPT x 6" L	1
905	35-0047	Pipe Nipple, 1" NPT x 2" L	1
906	35-0051	Drain Plug, M14-1.5	1
907	35-0052	Hydraulic Breather Cap	1
908	53-0277	Dip Stick Unit	1



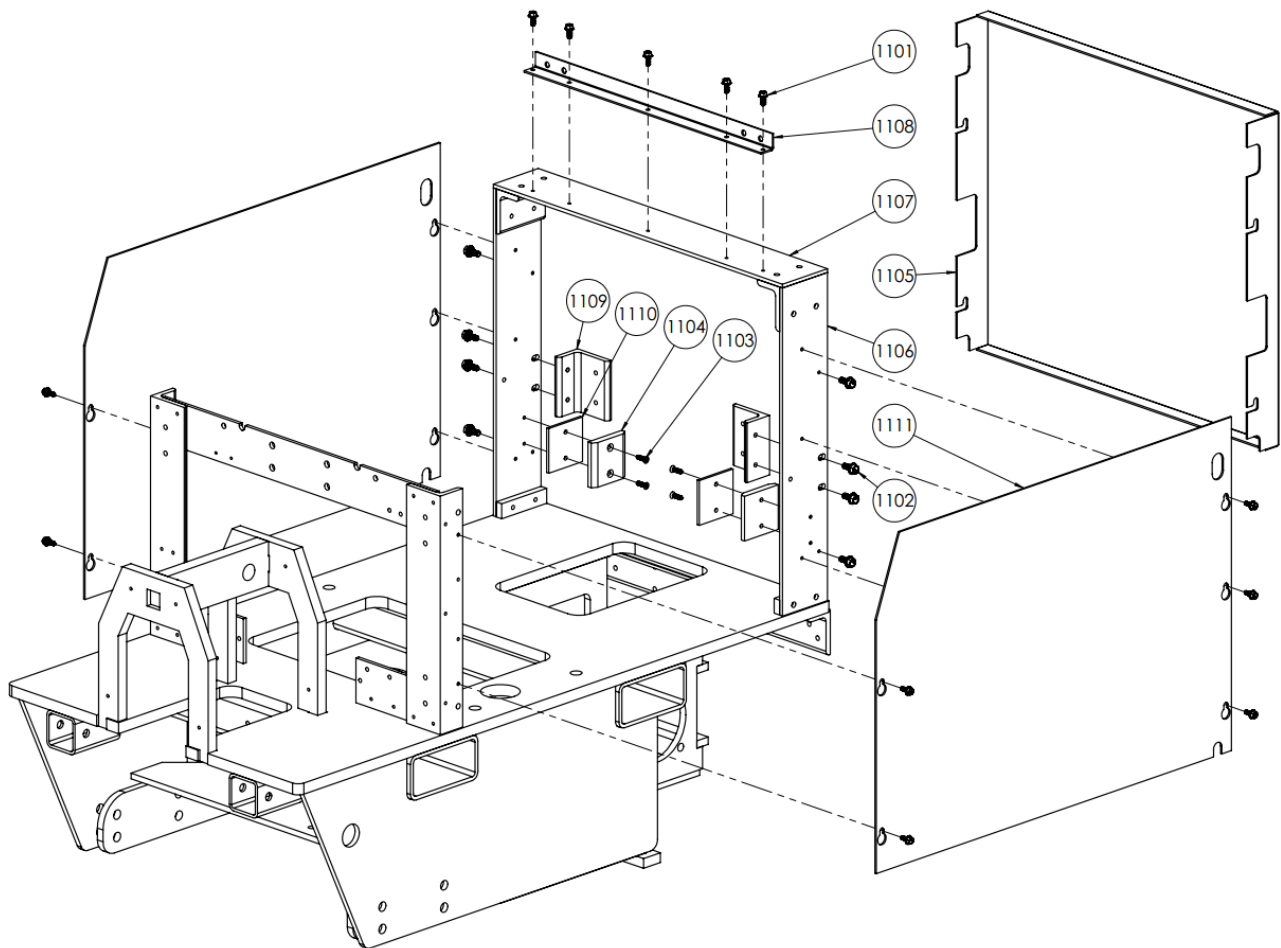
Hood Arm Breakdown

Item No.	Part Number	Description	Qty.
1001	11-0030	SAE Flat Washer, #10	4
1002	11-0034	USS Flat Washer, 5/16"	2
1003	12-0021-05	Nyloc Nut, M5-0.8	1
1004	12-0021-08	Nyloc Nut, M8-1.25	4
1005	12-0032-16	Hex Head Cap Screw, M8-1.25 x 16mm	5
1006	12-0041-12	Hex Head Cap Screw, M5-0.8 x 12mm	2
1007	12-0040-20	Serrated Flange Cap Screw, M8-1.25 x 20mm	8
1008	12-0050-16	Low Socket Cap Screw, M8-1.25 x 16mm	4
1009	13-0387	12" Lanyard	1
1010	53-0391	Uni-Frame Rear Side Support	2
1011	53-0392	Uni-Frame Rear Cross Support	1
1012	53-0393	Uni-Frame Hood Support	1
1013	53-0394	Uni-Frame Top Cover Mounting Bracket	1
1014	53-0395	Uni-Frame Rear Support Bracket	2
1015	96-0343	EI Top Cover Assembly	1



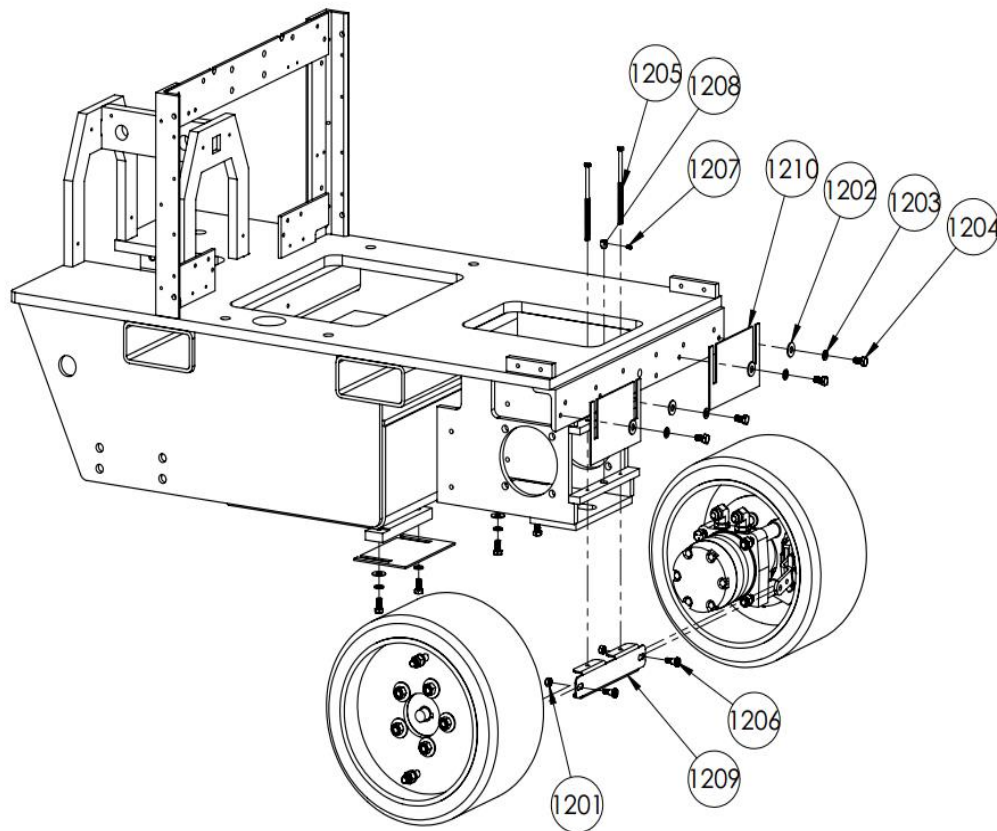
Rear Panels & Support Breakdown

Item No.	Part Number	Description	Qty.
1101	12-0043-16	Serrated Flange Cap Screw, M6-1.0 x 16mm	15
1102	12-0044-20	Serrated Flange Cap Screw, M8-1.25 x 20mm	8
1103	12-0045-20	Flat Head Phillips Screw, M6-1.0 x 20mm	4
1104	51-1048	Uni-Frame Battery Guide, Rear	2
1105	53-0373	Uni-Frame Back Panel	1
1106	53-0391	Uni-Frame Rear Side Support	2
1107	53-0392	Uni-Frame Rear Cross Support	1
1108	53-0394	Uni-Frame Top Cover Mounting Bracket	1
1109	53-0395	Uni-Frame Rear Support Bracket	4
1110	53-0406	Uni-Frame Battery Guide Spacer, Rear	2
1111	53-0415	Uni-Frame Side Panel	1



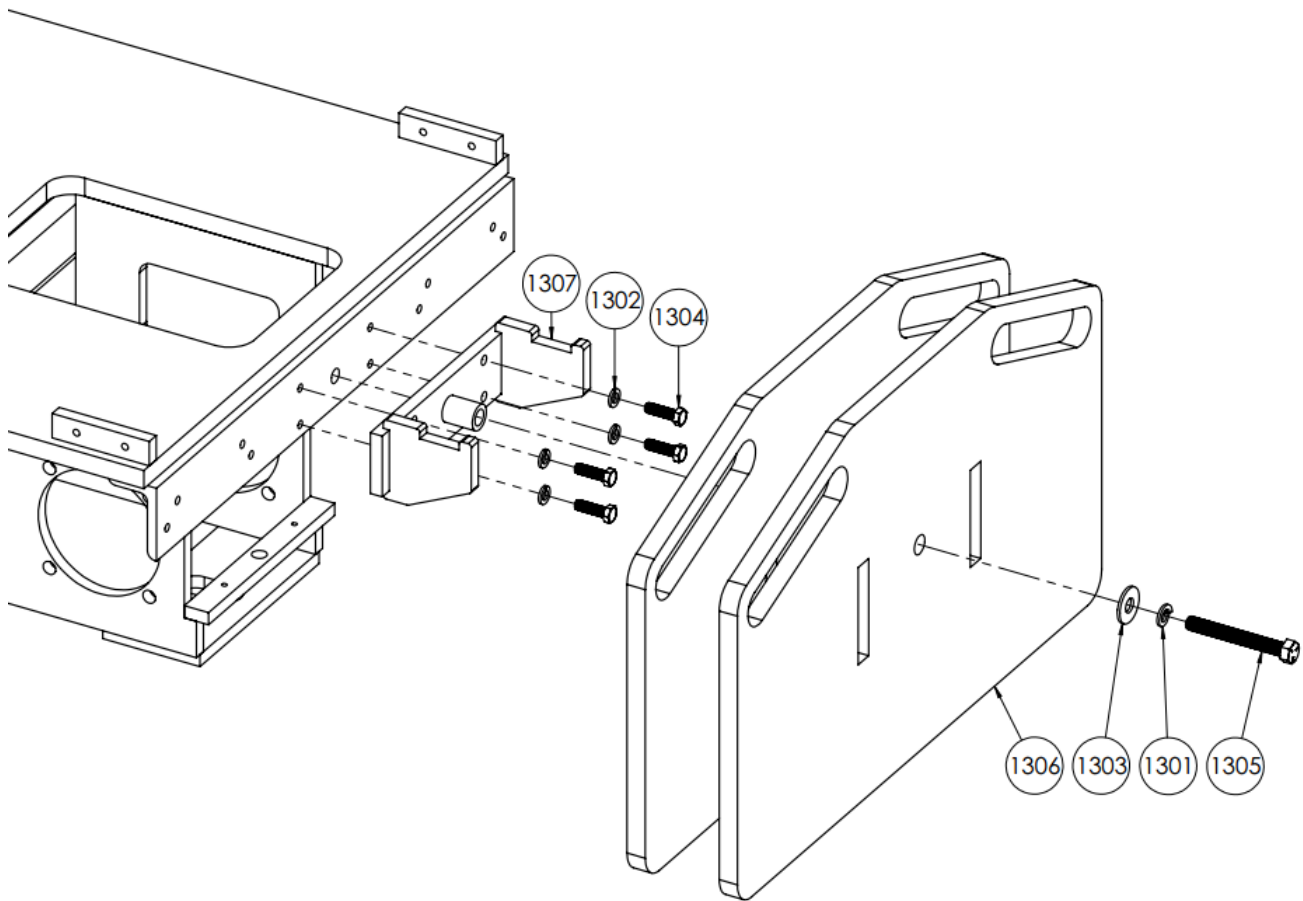
Rear Wheels Breakdown

Item No.	Part Number	Description	Qty.
1201	11-0025	Nyloc Nut, 5/16"-18	2
1202	11-0035	USS Flat Washer, 3/8"	8
1203	11-0129	Lock Washer, 3/8"	8
1204	11-0130	Hex Head Cap Screw, 3/8"-16 x 3/4"	8
1205	11-0279-88	Hex Head Cap Screw, 1/4"-20 x 5 1/2"	2
1206	11-0287	Socket Head Shoulder Screw, 3/8" x 3/8", 5/16"-18	2
1207	11-0353	Set Screw, #10-32 x 3/8"	1
1208	51-0513	Cable Clamp	1
1209	53-0134	Brake Actuator	1
1210	81-0091	Wheel Scraper Blade, 7.5" x 4.5"	4



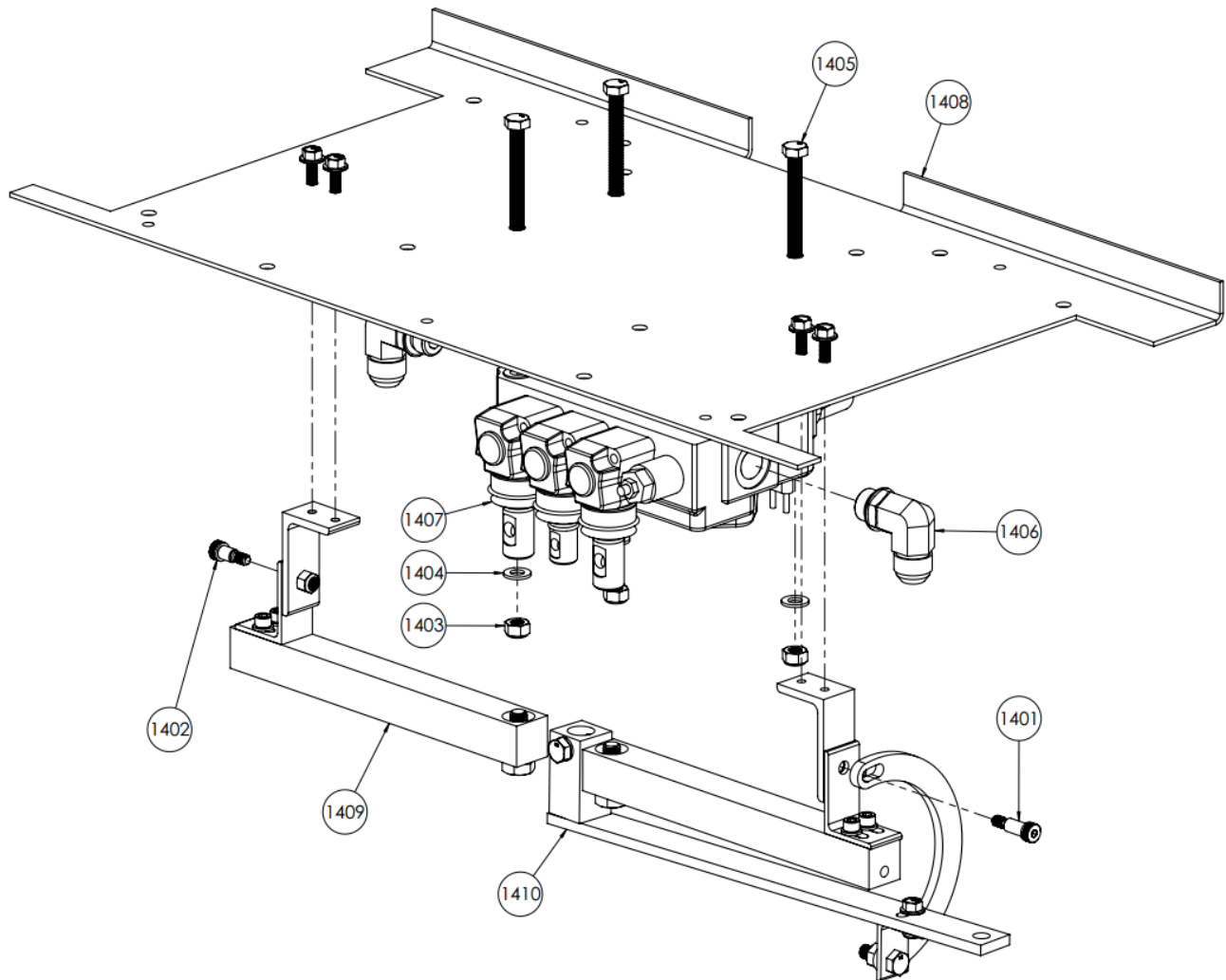
Rear Weights Breakdown

Item No.	Part Number	Description	Qty.
1301	11-0041	Lock Washer, 1/2"	1
1302	11-0129	Lock Washer, 3/8"	4
1303	11-0230	USS Flat Washer, 1/2"	1
1304	11-0290	Hex Head Cap Screw, 3/8"-16 x 1 1/4"	4
1305	11-0298	Hex Head Cap Screw, 1/2"-13 x 4"	1
1306	53-0119	Rear Weight (75 lbs)	2
1307	53-0344	Rear Weight Holder	1



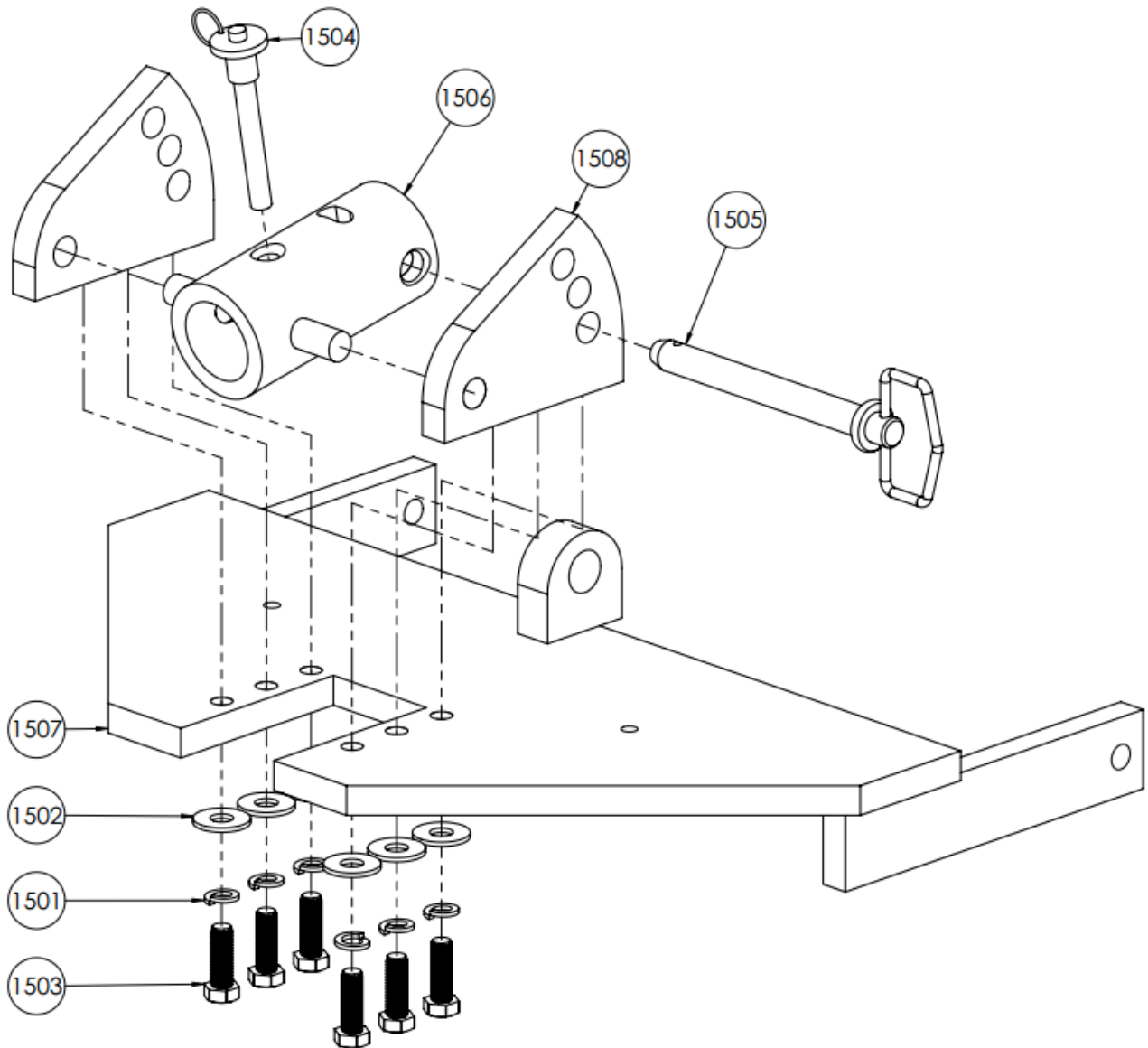
EI Seat Platform Assembly - Part # 96-0390

Item No.	Part Number	Description	Qty.
1401	11-0304	Socket Head Shoulder Screw, 5/16" x 5/8", 1/4"-20	1
1402	11-0306	Socket Head Shoulder Screw, 5/16" x 3/8", 1/4"-20	1
1403	12-0021-08	Nyloc Nut, M8-1.25	3
1404	12-0035-08	Flat Washer, M8	3
1405	12-0049-65	Hex Head Cap Screw, M8-1.25 x 65mm	3
1406	31-0048	Hydraulic Fitting, 90 deg 10 JIC – 8 SAE	2
1407	35-0050	3-Section Hydraulic Control Valve	1
1408	53-0372	EI Seat Platform	1
1409	96-0354	Uni-Frame Joy Stick Linkage	2
1410	96-0355	Uni-Frame Jaw Linkage	1



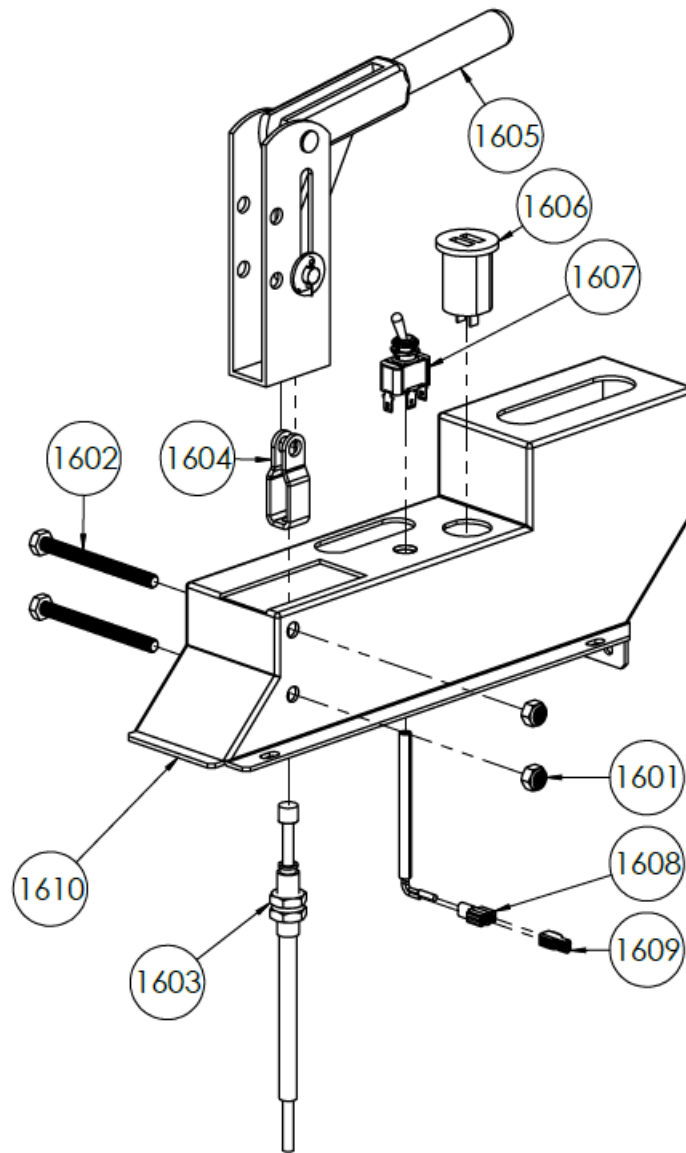
Pivoting Jaw Assembly - Part # 96-0386

Item No.	Part Number	Description	Qty.
1501	11-0041	Lock Washer, 1/2"	6
1502	11-0230	USS Flat Washer, 1/2"	6
1503	11-0296	Hex Head Cap Screw, 1/2"-13 x 1 1/2"	6
1504	13-0035	Quick Release Pin, 1/2" x 3"	1
1505	13-0386	Pivoting Jaw Position Pin	1
1506	53-0407	Uni-Frame Receiving Tube	1
1507	53-0411	Uni-Frame Pivoting Jaw Weld Assembly	1
1508	53-0428	Uni-Frame Jaw Pivot Plate	2



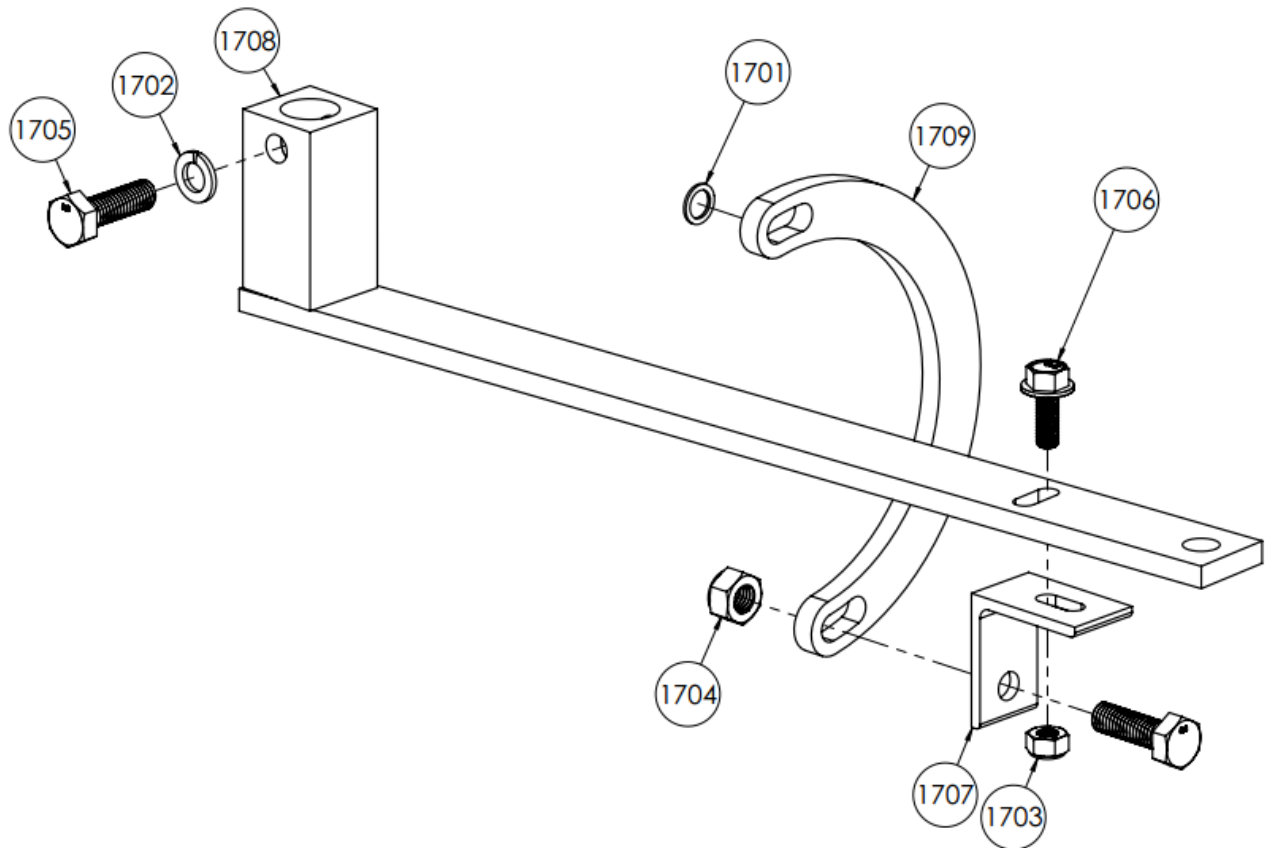
Uni-Frame Left Console Assembly - Part # 96-0370

Item No.	Part Number	Description	Qty.
1601	12-0021-08	Nyloc Nut, M8-1.25	2
1602	12-0049-90	Hex Head Cap Screw, M8-1.25 x 90mm	2
1603	13-0023	Brake Cable	1
1604	13-0027	Brake Cable Clevis	1
1605	13-0050	Brake Lever	1
1606	23-0152	USB Charging Port	1
1607	24-0200	Toggle Switch	1
1608	25-0034	Spade Connector, Female, 16-14ga	2
1609	25-0051	Spade Connector, Male, 16-14ga	2
1610	53-0379	Uni-Frame Left Console	1



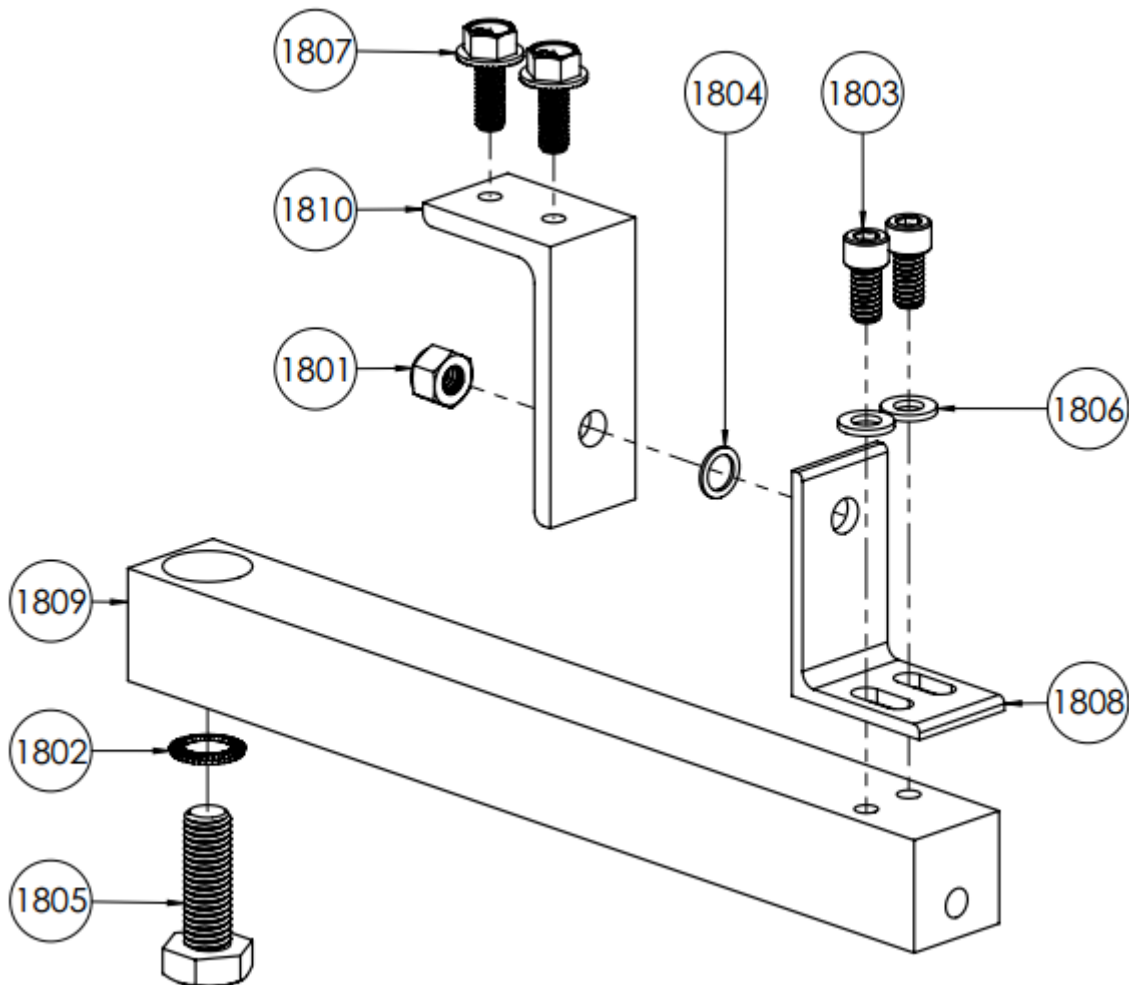
Uni-Frame Jaw Linkage - Part # 96-0355

Item No.	Part Number	Description	Qty.
1701	11-0307	Shim Washer, 5/16" ID x 7/16" OD x 0.32"	1
1702	12-0018-08	Lock Washer, M8	1
1703	12-0021-06	Nyloc Nut, M6-1.0	1
1704	12-0021-08	Nyloc Nut, M8-1.25	1
1705	12-0032-25	Hex Head Cap Screw, M8-1.25 x 25mm	2
1706	12-0043-16	Serrated Flange Cap Screw, M6-1.0 x 16mm	1
1707	51-0708	Uni-Frame Jaw Linkage Connector Hinge	1
1708	53-0367	Uni-Frame Jaw Linkage Base	1
1709	53-0390	Uni-Frame Jaw Linkage Connector	1



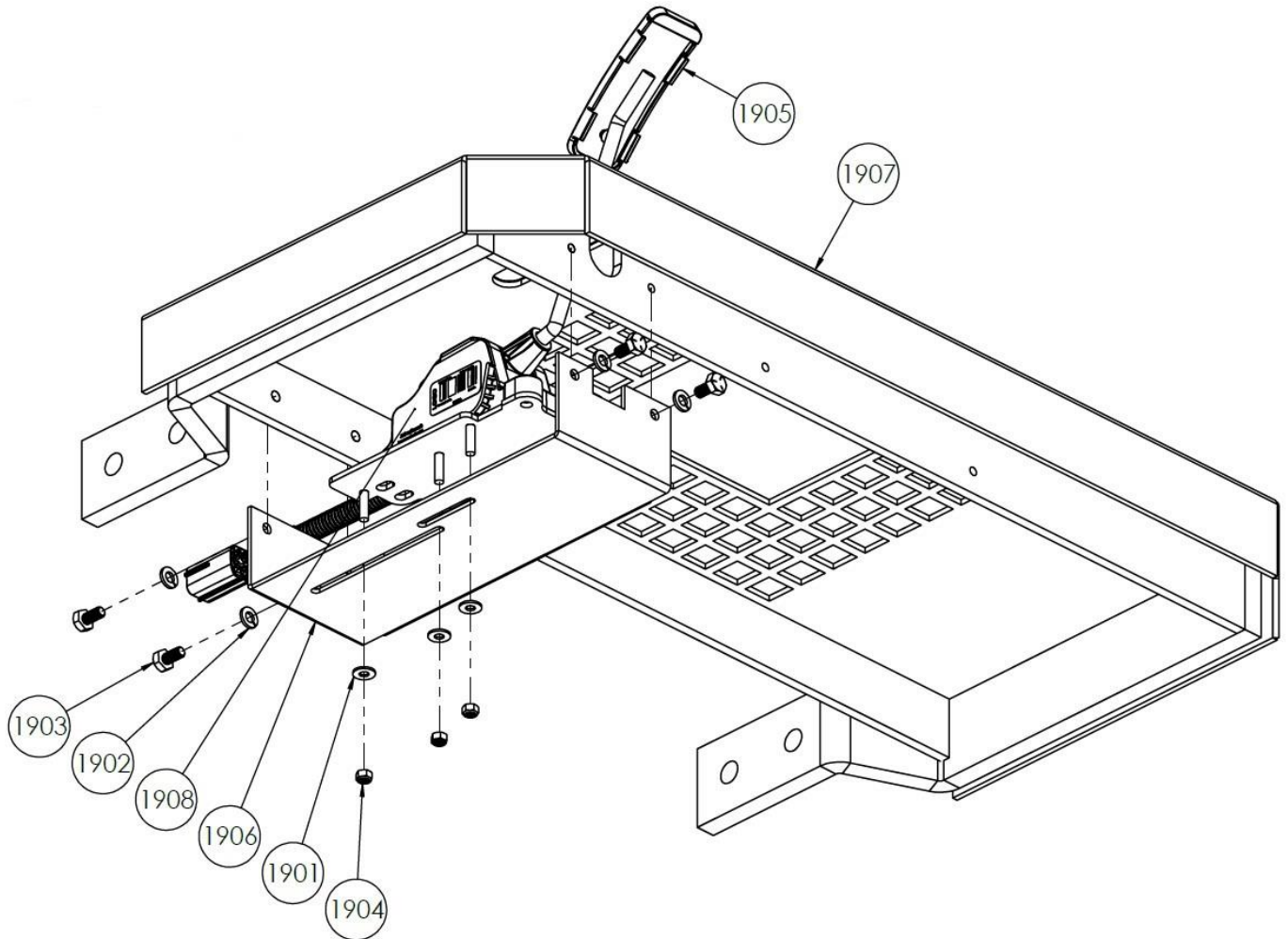
Uni-Frame Joy Stick Linkage - Part # 96-0354

Item No.	Part Number	Description	Qty.
1801	11-0024	Nyloc Nut, 1/4"-20	1
1802	11-0162	Belleville Washer, 3/8"	1
1803	11-0164	Socket Head Cap Screw, 1/4"-20 x 1/2"	2
1804	11-0307	Shim Washer, 5/16" ID x 7/16" OD x 0.32"	1
1805	12-0024	Hex Head Cap Screw, M10-1.5 x 30mm	1
1806	12-0035-06	Flat Washer, M6	2
1807	12-0043-16	Serrated Flange Cap Screw, M6-1.0 x 16mm	2
1808	51-0704	Uni-Frame Joy Stick Linkage Hinge	1
1809	51-1037	Uni-Frame Joy Stick Linkage Seat Bracket	1
1810	53-0401	Uni-Frame Joy Stick Linkage Base	1



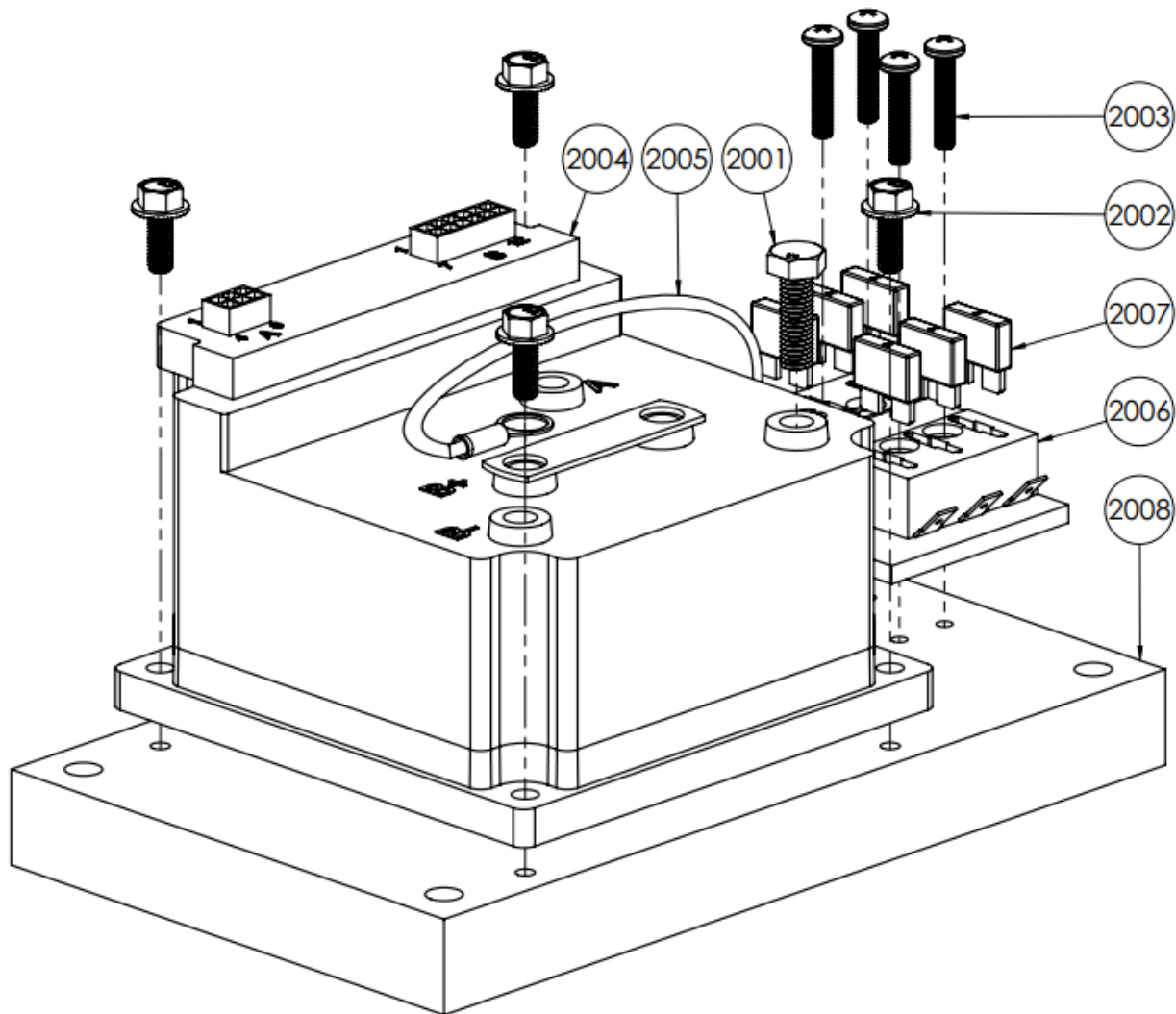
EI Foot Rest Assembly - Part # 96-0353

Item No.	Part Number	Description	Qty.
1901	11-0030	SAE Flat Washer, #10	3
1902	11-0069	Lock Washer, 1/4"	4
1903	11-0092	Hex Head Cap Screw, 1/4"-20 x 1/2"	4
1904	12-0021-05	Nyloc Nut, M5-0.8	3
1905	23-0125	Foot Pedal	1
1906	53-0264	Foot Pedal Bracket	1
1907	53-0366	Foot Rest Support Frame	1
1908	23-0114	Foot Pedal Power Supply	1



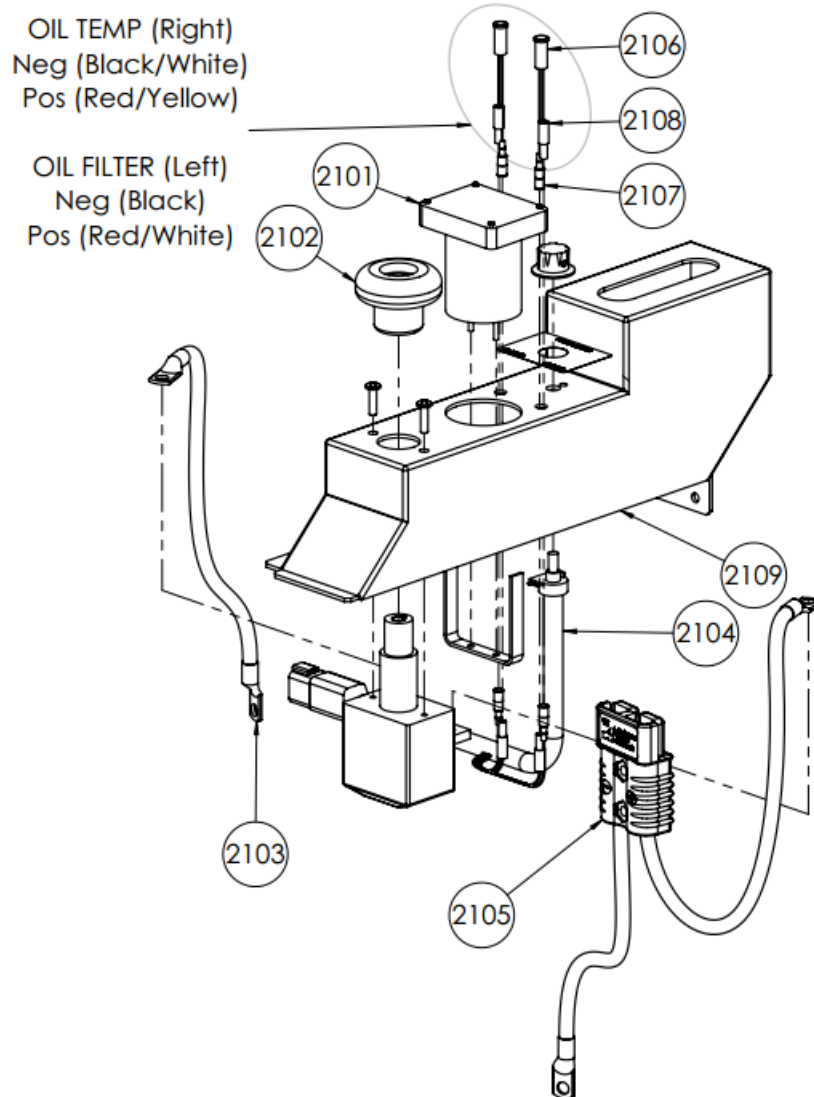
Electric Control Module - Part # 96-0345

Item No.	Part Number	Description	Qty.
2001	12-0032-25	Hex Head Cap Screw, M8-1.25 x 25mm	1
2002	12-0043-16	Serrated Flange Cap Screw, M6-1.0 x 16mm	4
2003	12-0047-25	Pan Head Phillips Screw, M5-0.8 x 25mm	4
2004	23-0032	Power Control Module	1
2005	24-0166	Wire Assembly, Fuse Block to Power Pack	1
2006	25-0032	Fuse Block, 6-Gang ATO	1
2007	25-0053	Blade Fuse, 5A	6
2008	51-1022	Heat Sink Plate	1



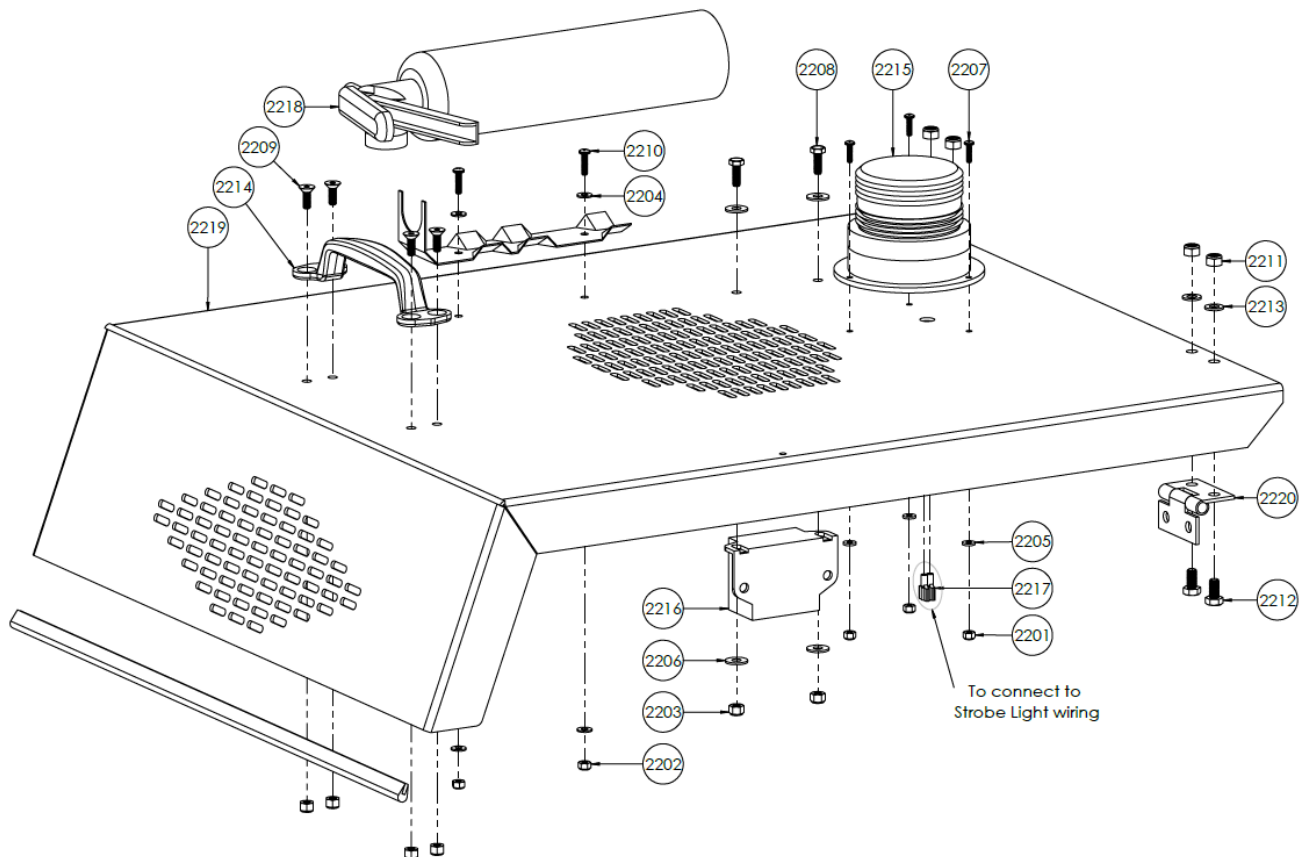
EI Right Console Assembly – Part # 96-0344

Item No.	Part Number	Description	Qty.
2101	23-0030-1	S.T.D. Display	1
2102	23-0031	Manual Disconnect Switch	1
2103	24-0137	Wire Assembly, Power Switch to Power Pack	1
2104	24-0164-P	Uni-Frame Right Console Wire Harness	1
2105	24-0187	Wire Assembly, Blue Plug Power Pigtail	1
2106	25-0002	Red Panel Light	2
2107	25-0135	Bullet Connector, Male, 22-18ga	2
2108	25-0136	Bullet Connector, Female, 22-18ga	2
2109	53-0378	Uni-Frame Right Console	1



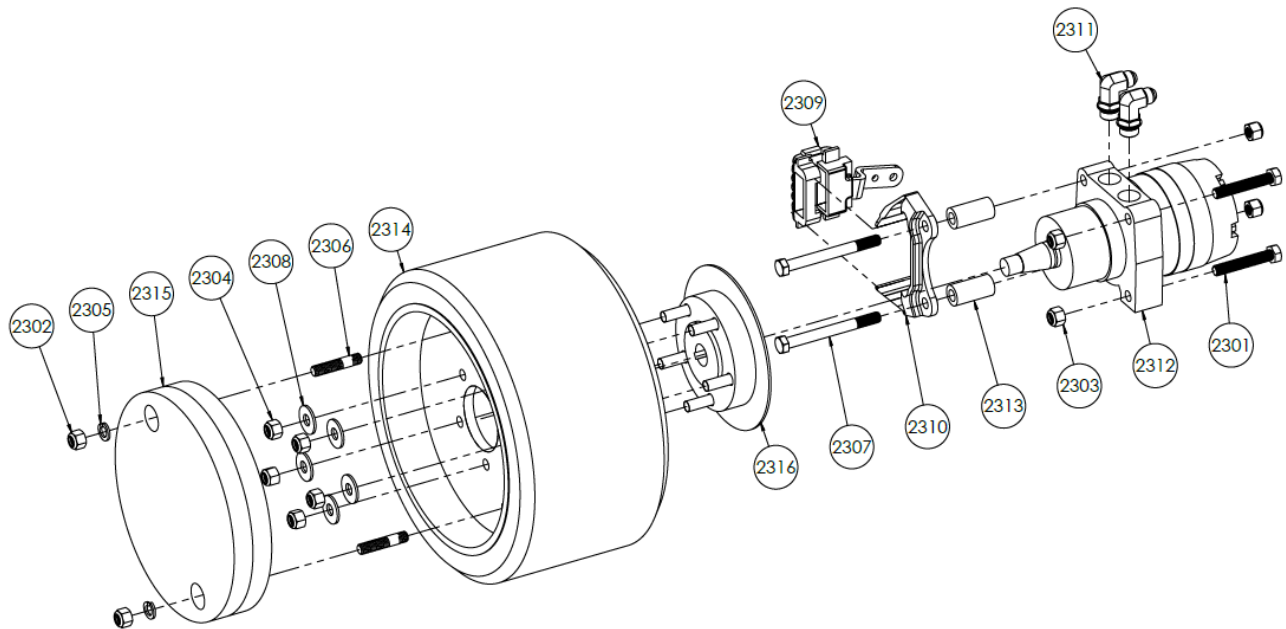
EI Top Cover Assembly - Part # 96-0343

Item No.	Part Number	Description	Qty.
2201	11-0022	Nyloc Nut, #8-32	3
2202	11-0023	Nyloc Nut, #10-24	2
2203	11-0024	Nyloc Nut, 1/4"-20	6
2204	11-0030	SAE Flat Washer, #10	4
2205	11-0031	SAE Flat Washer, #8	3
2206	11-0033	USS Flat Washer, 1/4"	4
2207	11-0102	Pan Head Phillips Screw, #8-32 x 5/8"	3
2208	11-0133	Hex Head Cap Screw, 1/4"-20 x 3/4"	2
2209	11-0140	Flat Head Socket Screw, 1/4"-20 x 3/4"	4
2210	11-0250-12	Pan Head Phillips Screw, #10-24 x 3/4"	2
2211	12-0021-08	Nyloc Nut, M8-1.25	4
2212	12-0032-16	Hex Head Cap Screw, M8-1.25 x 16mm	4
2213	12-0035-08	Flat Washer, M8	4
2214	13-0005	Chrome Handle	1
2215	22-0006	Strobe Light	1
2216	22-0073	Backup Alarm, 87 dB	1
2217	25-0034	Spade Connector, Female, 16-14ga	2
2218	42-0001	Fire Extinguisher	1
2219	53-0377	EI Top Cover	1
2220	53-0402	Uni-Frame Hood Hinge	2



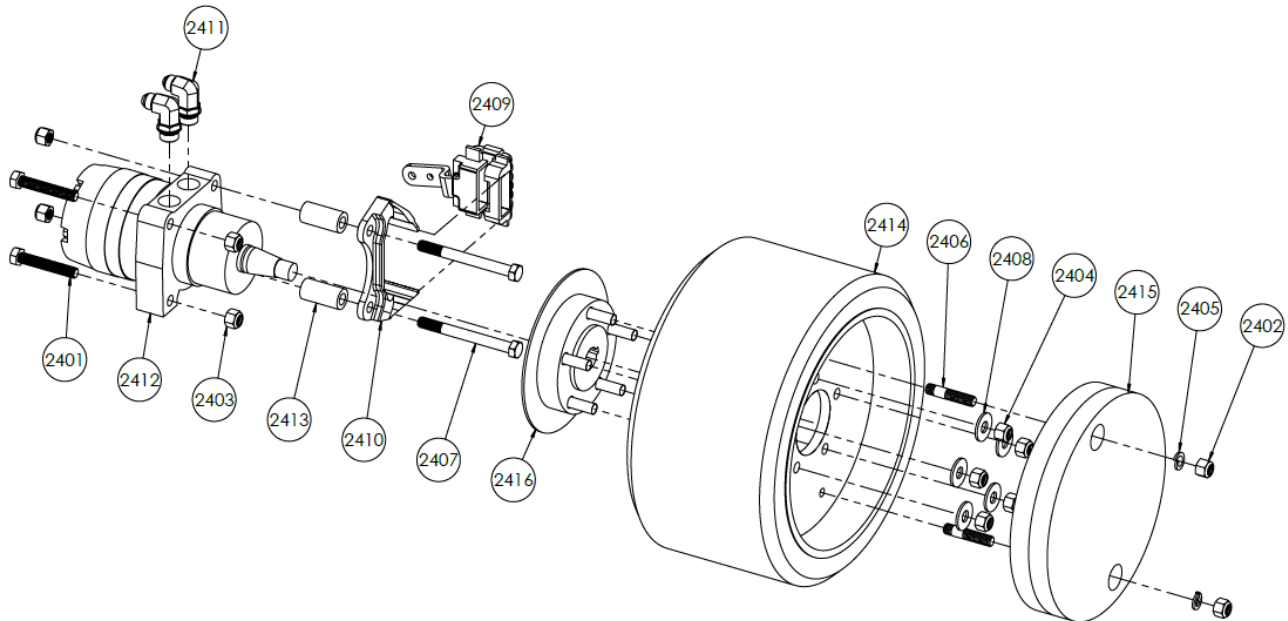
EI Right Wheel Assembly

Item No.	Part Number	Description	Qty.
2301	11-0013	Hex Head Cap Screw, 1/2"-13 x 3"	2
2302	11-0019	Hex Nut, 1/2"-13	2
2303	11-0028	Nyloc Nut, 1/2"-13	4
2304	11-0029	Nyloc Nut, 1/2"-20	5
2305	11-0041	Lock Washer, 1/2"	2
2306	11-0187	Double Ended Stud, 1/2"-13 x 2 1/2"	2
2307	11-0228	Hex Head Cap Screw, 1/2"-13 x 5"	2
2308	11-0230	USS Flat Washer, 1/2"	5
2309	13-0021	Right Brake Caliper	1
2310	13-0022	Brake Mounting Bracket	1
2311	31-0053	Hydraulic Fitting, 90 deg 8 JIC – 10 SAE	2
2312	33-0003	Right Wheel Motor	1
2313	51-0491	Brake Spacer Standoff	2
2314	53-0208	Wheel and Tire Assembly	1
2315	53-0212	Wheel Weight (45 lbs)	1
2316	70-0016	Wheel Hub with Brake Disc	1



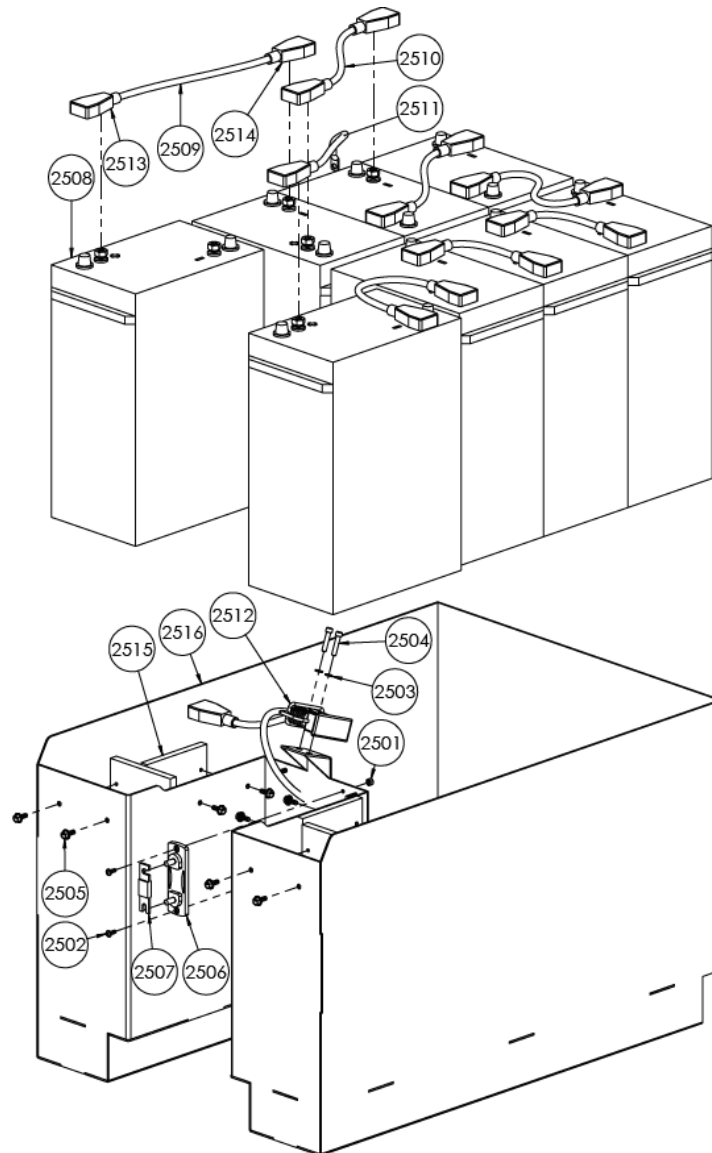
EI Left Wheel Assembly

Item No.	Part Number	Description	Qty.
2401	11-0013	Hex Head Cap Screw, 1/2"-13 x 3"	2
2402	11-0019	Hex Nut, 1/2"-13	2
2403	11-0028	Nyloc Nut, 1/2"-13	4
2404	11-0029	Nyloc Nut, 1/2"-20	5
2405	11-0041	Lock Washer, 1/2"	2
2406	11-0187	Double Ended Stud, 1/2"-13 x 2 1/2"	2
2407	11-0228	Hex Head Cap Screw, 1/2"-13 x 5"	2
2408	11-0230	USS Flat Washer, 1/2"	5
2409	13-0020	Left Brake Caliper	1
2410	13-0022	Brake Mounting Bracket	1
2411	31-0053	Hydraulic Fitting, 90 deg 8 JIC – 10 SAE	2
2412	33-0002	Left Wheel Motor	1
2413	51-0491	Brake Spacer Standoff	2
2414	53-0208	Wheel and Tire Assembly	1
2415	53-0212	Wheel Weight (45 lbs)	1
2416	70-0016	Wheel Hub with Brake Disc	1



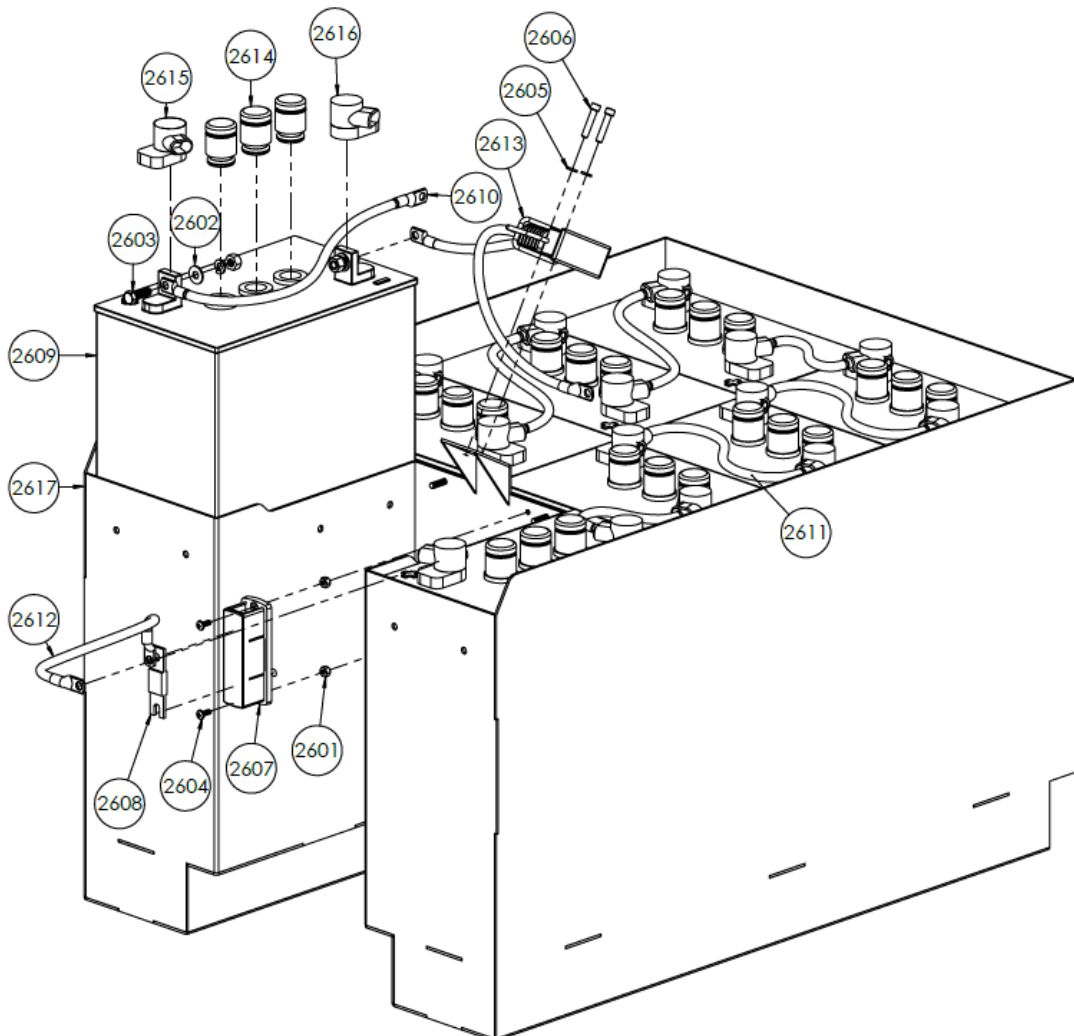
EI Battery Pack (AGM) - Part # 71-0023

Item No.	Part Number	Description	Qty.
2501	11-0023	Nyloc Nut, #10-24	2
2502	11-0250-08	Pan Head Phillips Screw, #10-24 x 1/2"	2
2503	12-0018-06	Lock Washer, M6	2
2504	12-0020	Socket Head Cap Screw, M6-1.0 x 30mm	2
2505	12-0043-16	Serrated Flange Cap Screw, M6-1.0 x 16mm	8
2506	23-0009	Fuse Holder	1
2507	23-0010	Fuse, 250A	1
2508	23-0141	AGM Battery, 6V	8
2509	24-0032	Battery Pack Wire Assembly, 13.5"	1
2510	24-0033	Battery Pack Wire Assembly, 11"	6
2511	24-0140	Wire Assembly, Pos. Battery to Fuse	1
2512	24-0143	Wire Assembly, Blue Plug Pigtail to Battery	1
2513	25-0103	Battery Boot, Red	8
2514	25-0104	Battery Boot, Black	8
2515	51-1079	AGM Battery Shim	4
2516	53-0241	Removable Battery Tray	1



EI Battery Pack (Non-AGM) - Part # 71-0014

Item No.	Part Number	Description	Qty.
2601	11-0023	Nyloc Nut, #10-24	2
2602	11-0033	USS Flat Washer, 1/4"	16
2603	11-0132	Hex Head Cap Screw, 5/16"-18 x 1"	16
2604	11-0250-08	Pan Head Phillips Screw, #10-24 x 1/2"	2
2605	12-0018-06	Lock Washer, M6	2
2606	12-0020	Socket Head Cap Screw, M6-1.0 x 30mm	2
2607	23-0009	Fuse Holder	1
2608	23-0010	Fuse, 250A	1
2609	23-0013	Battery, 6V	8
2610	24-0032	Battery Pack Wire Assembly, 13.5"	1
2611	24-0033	Battery Pack Wire Assembly, 11"	6
2612	24-0140	Wire Assembly, Pos. Battery to Fuse	1
2613	24-0143	Wire Assembly, Blue Plug Pigtail to Battery	1
2614	25-0010	Battery Flip Cap	24
2615	25-0156	Battery Lug Cap, Red	8
2616	25-0157	Battery Lug Cap, Black	8
2617	53-0241	Removable Battery Tray	1



T3000 EI Hydraulics

Item No.	Part Number	Description	Qty.
2701	31-0005	Hose Assembly, EI/XME, Pump-Valve/Valve-Filter	2
2702	31-0018	Hose Assembly, EI/XME, Valve to Ram Top	1
2703	31-0237	Hose Assembly, EI/XME/PRO, Tank Suction	1
2704	31-0250	Hose Assembly, EI, Filter to Tank Return	1
2705	31-0253	Hose Assembly, EI, Valve to Wheel (Universal)	4
2706	31-0254	Hose Assembly, EI, Valve to Ram Bottom	1

