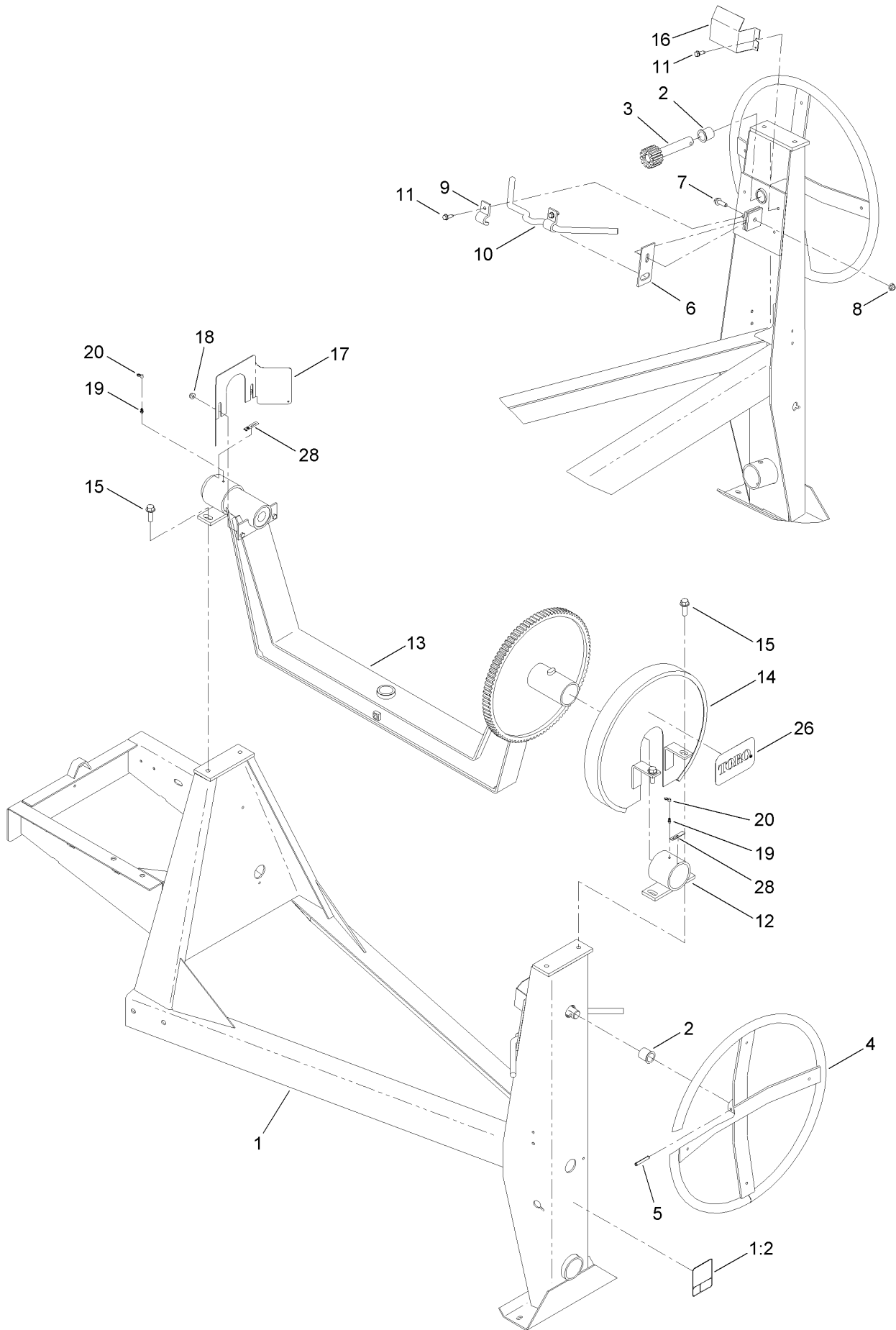


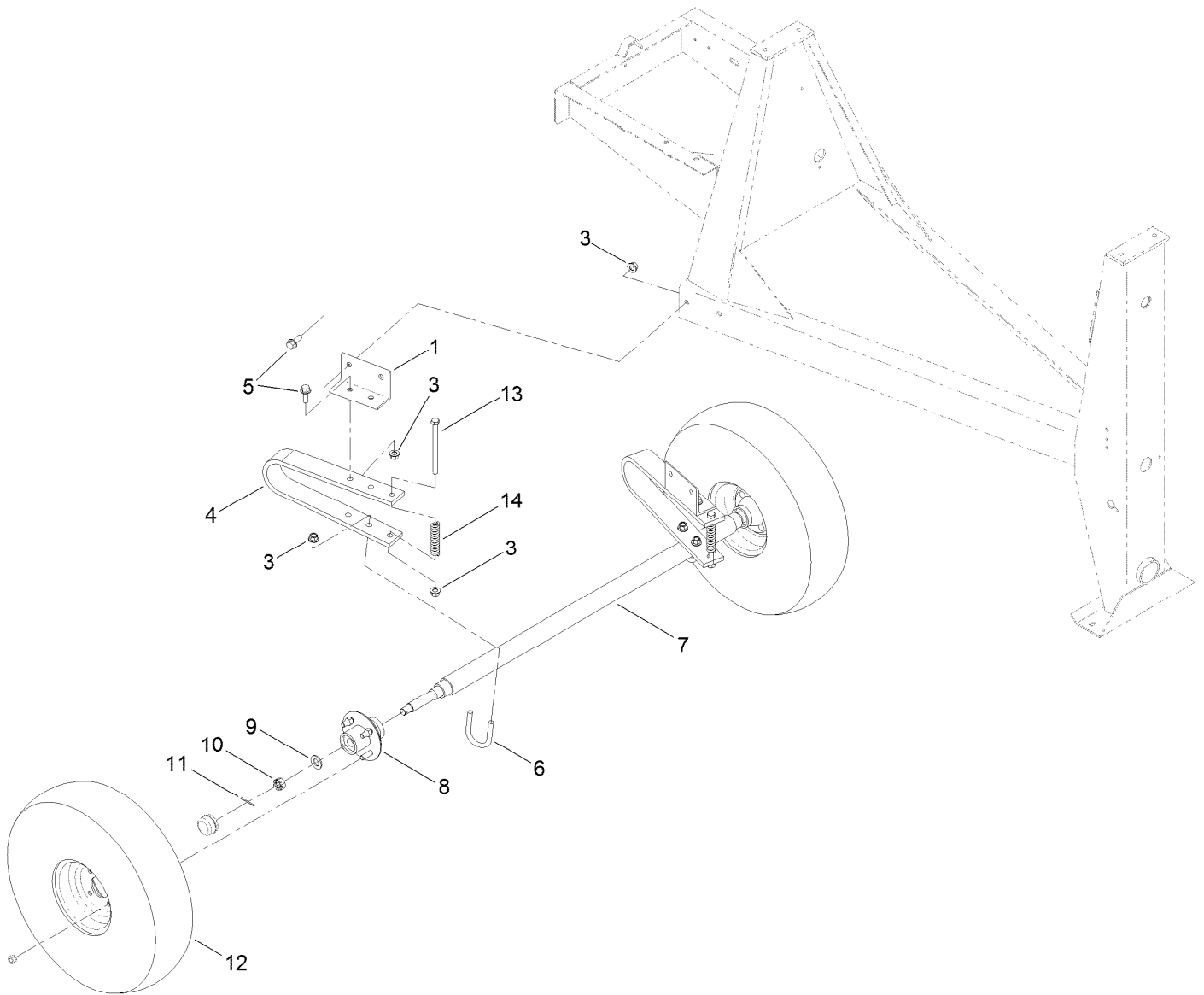
Frame and Yoke Assembly



Frame and Yoke Assembly (continued)

| <i>Ref.</i> | <i>Part Number</i> | <i>Qty.</i> | <i>Description</i> | <i>Ref.</i> | <i>Part Number</i> | <i>Qty.</i> | <i>Description</i> |
|-------------|--------------------|-------------|----------------------------|-------------|--------------------|-------------|--------------------|
| 1 | 127-2814 | 1 | Frame ASM | 12 | ST24349-03 | 2 | Trunnion |
| 1:2 | 125-8216 | 1 | Decal-Safety Chain, Towing | 13 | 125-6308 | 1 | Yoke ASM |
| 2 | ST32032 | 2 | Bushing-Nylon | 14 | ST27617-03 | 1 | Guard-Brake, Upper |
| 3 | ST22029 | 1 | Shaft-Tilt | 15 | ST80031 | 4 | Screw-HWH |
| 4 | ST22096-03 | 1 | Handwheel | 16 | ST27618-03 | 1 | Guard-Brake, Lower |
| 5 | 32121-27 | 1 | Pin-Roll | 17 | ST27144-03 | 1 | Guard-Pinion |
| 6 | ST27619-03 | 1 | Dog-Brake | 18 | 104-8300 | 2 | Nut-Flange, NI |
| 7 | 3234-24 | 1 | Screw-HHF | 19 | ST46042 | 2 | Fitting-Grease |
| 8 | 104-8301 | 1 | Nut-Flange, NI | 20 | ST47001 | 2 | Cap-Plug |
| 9 | ST27559-03 | 2 | Bracket-Handle | 26 | 99-4693 | 1 | Decal |
| 10 | ST27621 | 1 | Handle-Brake | 28 | 125-8175 | 2 | Decal-Grease |
| 11 | 701243 | 4 | Screw-HWHTF | | | | |

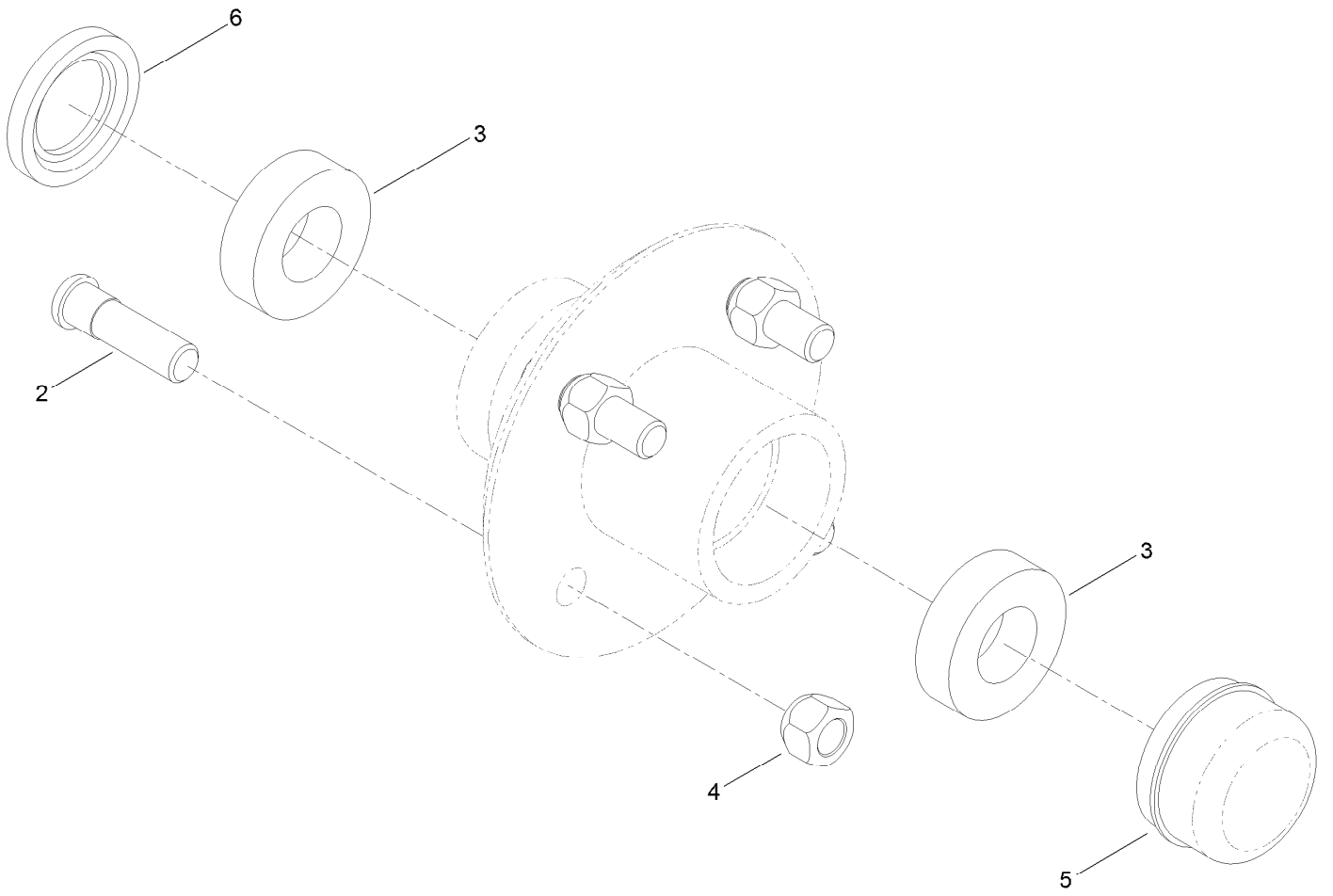
Axle Assembly



Axle Assembly (continued)

| <i>Ref.</i> | <i>Part Number</i> | <i>Qty.</i> | <i>Description</i> | <i>Ref.</i> | <i>Part Number</i> | <i>Qty.</i> | <i>Description</i> |
|-------------|--------------------|-------------|----------------------|-------------|--------------------|-------------|--------------------|
| 1 | ST26949-03 | 2 | Bracket-Axle, Spring | 9 | 3256-28 | 2 | Washer-Flat |
| 3 | 99-5107 | 14 | Nut-Lock | 10 | ST80054 | 2 | Nut |
| 4 | ST26971 | 2 | Spring-Leaf | 11 | 3272-13 | 2 | Pin-Cotter |
| 5 | 100-6116 | 8 | Screw-HHF | 12 | ST32307 | 2 | Tire And Rim ASM |
| 6 | ST26195 | 2 | Bolt-U | 13 | 325-33 | 2 | Screw-HH |
| 7 | ST21460-03 | 1 | Axle-Spring | 14 | ST34972 | 2 | Spring-Coil |
| 8 | 125-8171 | 2 | Hub ASM | | | | |

Hub Assembly No. 125-8171

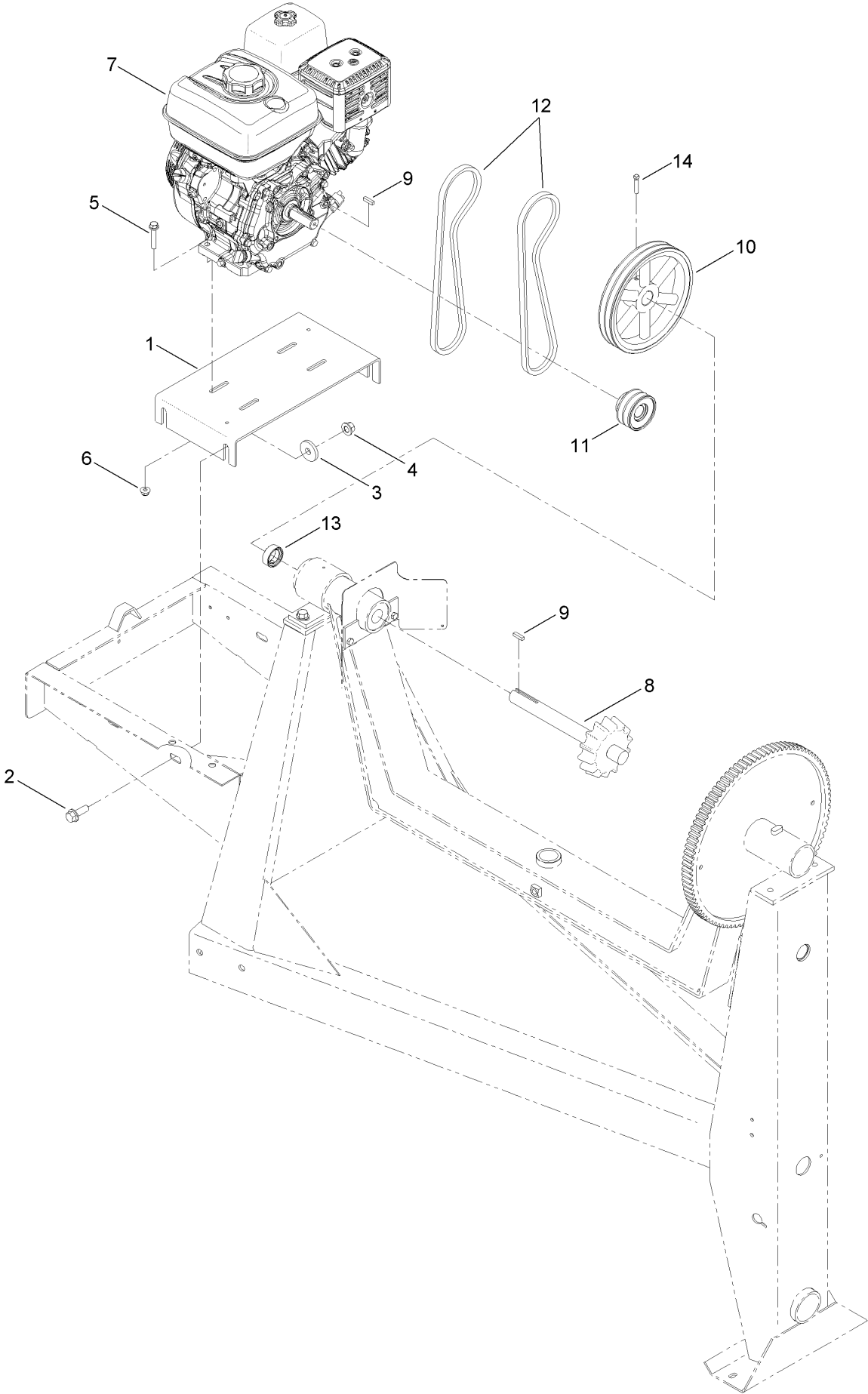


Hub Assembly No. 125-8171 (continued)

| <i>Ref.</i> | <i>Part Number</i> | <i>Qty.</i> | <i>Description</i> |
|-------------|--------------------|-------------|--------------------|
| 2 | ST39190 | 4 | Stud-Wheel |
| 3 | ST32233 | 2 | Bearing-Roller |
| 4 | ST80045 | 4 | Nut-Lug |

| <i>Ref.</i> | <i>Part Number</i> | <i>Qty.</i> | <i>Description</i> |
|-------------|--------------------|-------------|--------------------|
| 5 | ST34573 | 1 | Cap-Dust |
| 6 | ST32052 | 1 | Seal-Hub, Wheel |

Engine and Belt Assembly

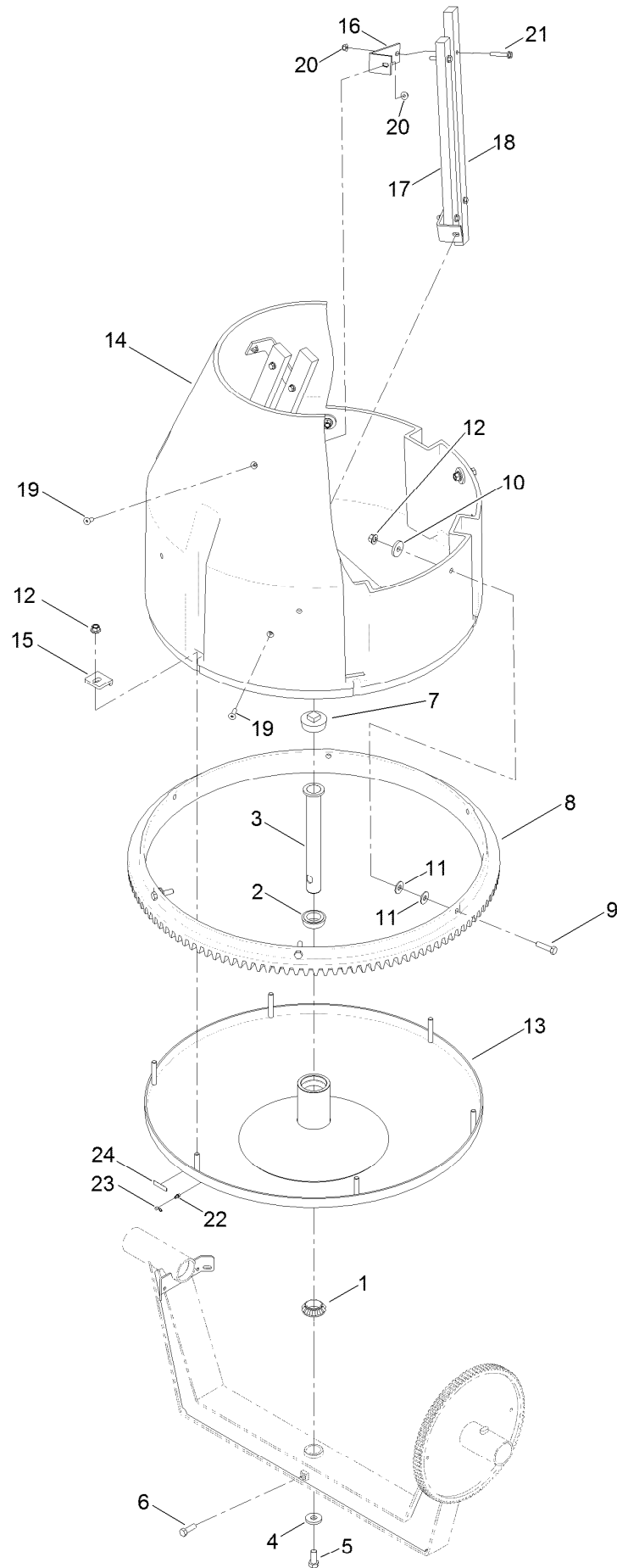


Engine and Belt Assembly (continued)

| <i>Ref.</i> | <i>Part Number</i> | <i>Qty.</i> | <i>Description</i> | <i>Ref.</i> | <i>Part Number</i> | <i>Qty.</i> | <i>Description</i> |
|-------------|--------------------|-------------|-----------------------|-------------|--------------------|-------------|--------------------|
| 1 | 127-7579-03 | 1 | Base-Engine, 95Cm | 8 | ST21487 | 1 | Shaft-Drive |
| 2 | 100-6116 | 4 | Screw-HHF | 9 | 5-7280 | 2 | Key |
| 3 | ST26326 | 4 | Washer-Flat | 10 | ST34986-03 | 1 | Sheave |
| 4 | 99-5107 | 4 | Nut-Lock | 11 | ST34984 | 1 | Sheave |
| 5 | 108-3742 | 4 | Screw-HHF | 12 | 127-0075 | 2 | Belt-V |
| 6 | 104-8301 | 4 | Nut-Flange, NI | 13 | ST32176 | 1 | Collar-Locking |
| 7 | 125-4812 | 1 | Engine-Honda, Gx240 ● | 14 | 909546 | 2 | Screw-Set |

● Obtain parts from www.honda-engines.com

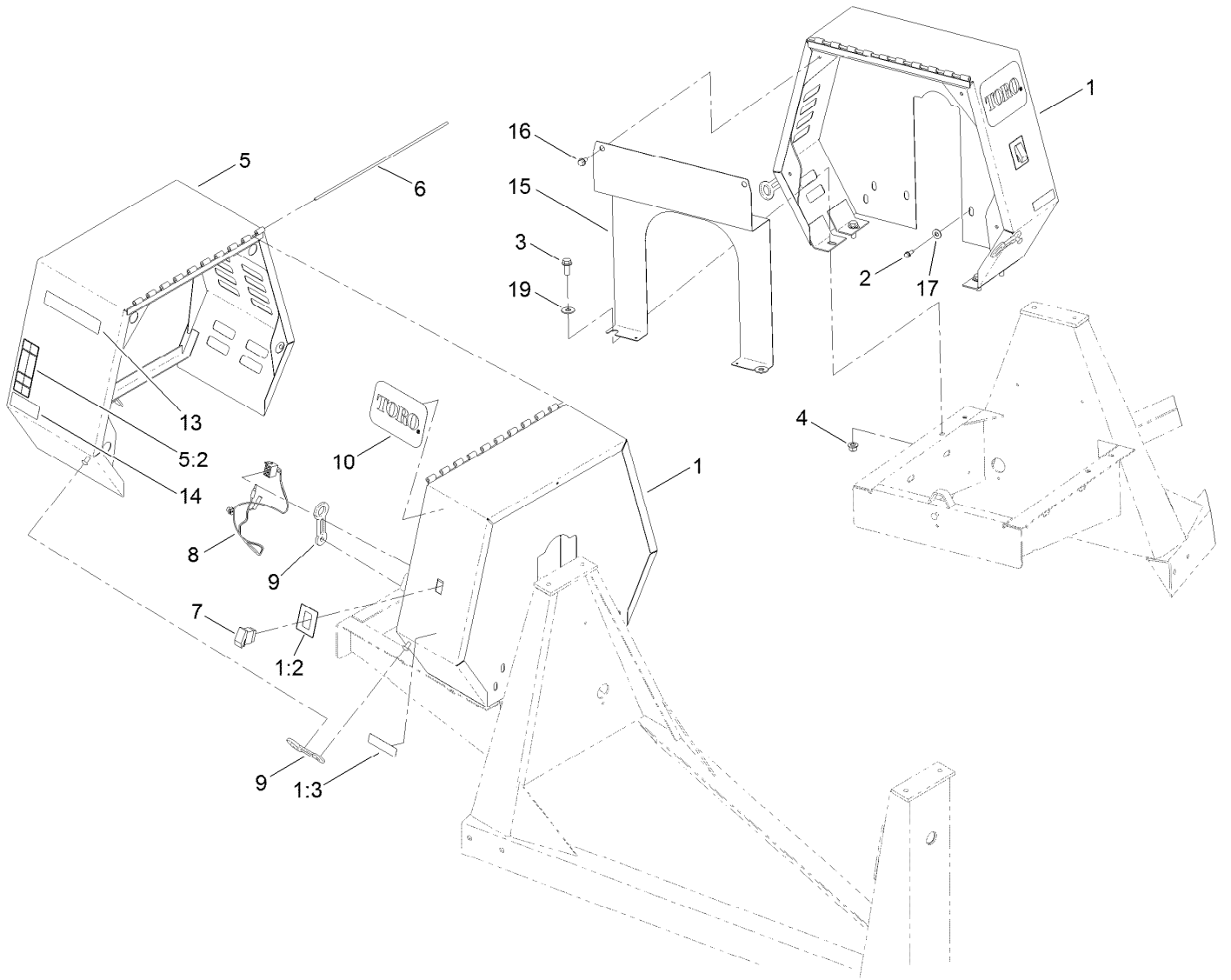
Drum Assembly



Drum Assembly (continued)

| <i>Ref.</i> | <i>Part Number</i> | <i>Qty.</i> | <i>Description</i> | <i>Ref.</i> | <i>Part Number</i> | <i>Qty.</i> | <i>Description</i> |
|-------------|--------------------|-------------|--------------------|-------------|--------------------|-------------|--------------------|
| 1 | ST32161 | 1 | Bearing-Roller | 13 | 125-8170-01 | 1 | Dish |
| 2 | ST32086 | 1 | Bearing | 14 | 131-2908 | 1 | Drum |
| 3 | ST27267 | 1 | Spindle | 15 | ST42781-01 | 6 | Clamp-Drum |
| 4 | ST27413 | 1 | Washer-Flat | 16 | ST42810-01 | 6 | Bracket-Paddle |
| 5 | 327-4 | 1 | Screw-HH | 17 | ST47341 | 3 | Paddle |
| 6 | 325-6 | 1 | Screw-HH | 18 | ST47342 | 3 | Paddle |
| 7 | ST46022 | 1 | Plug | 19 | 99-8051 | 6 | Screw-HSFH |
| 8 | ST26317-01 | 1 | Gear-Ring | 20 | 104-8301 | 18 | Nut-Flange, NI |
| 9 | 325-8 | 6 | Screw-HH | 21 | 108-3742 | 12 | Screw-HHF |
| 10 | ST26326 | 6 | Washer-Flat | 22 | ST46057 | 1 | Fitting |
| 11 | 3256-6 | 12 | Washer-Flat | 23 | ST47001 | 1 | Cap-Plug |
| 12 | 99-5107 | 6 | Nut-Lock | 24 | 125-8175 | 1 | Decal-Grease |

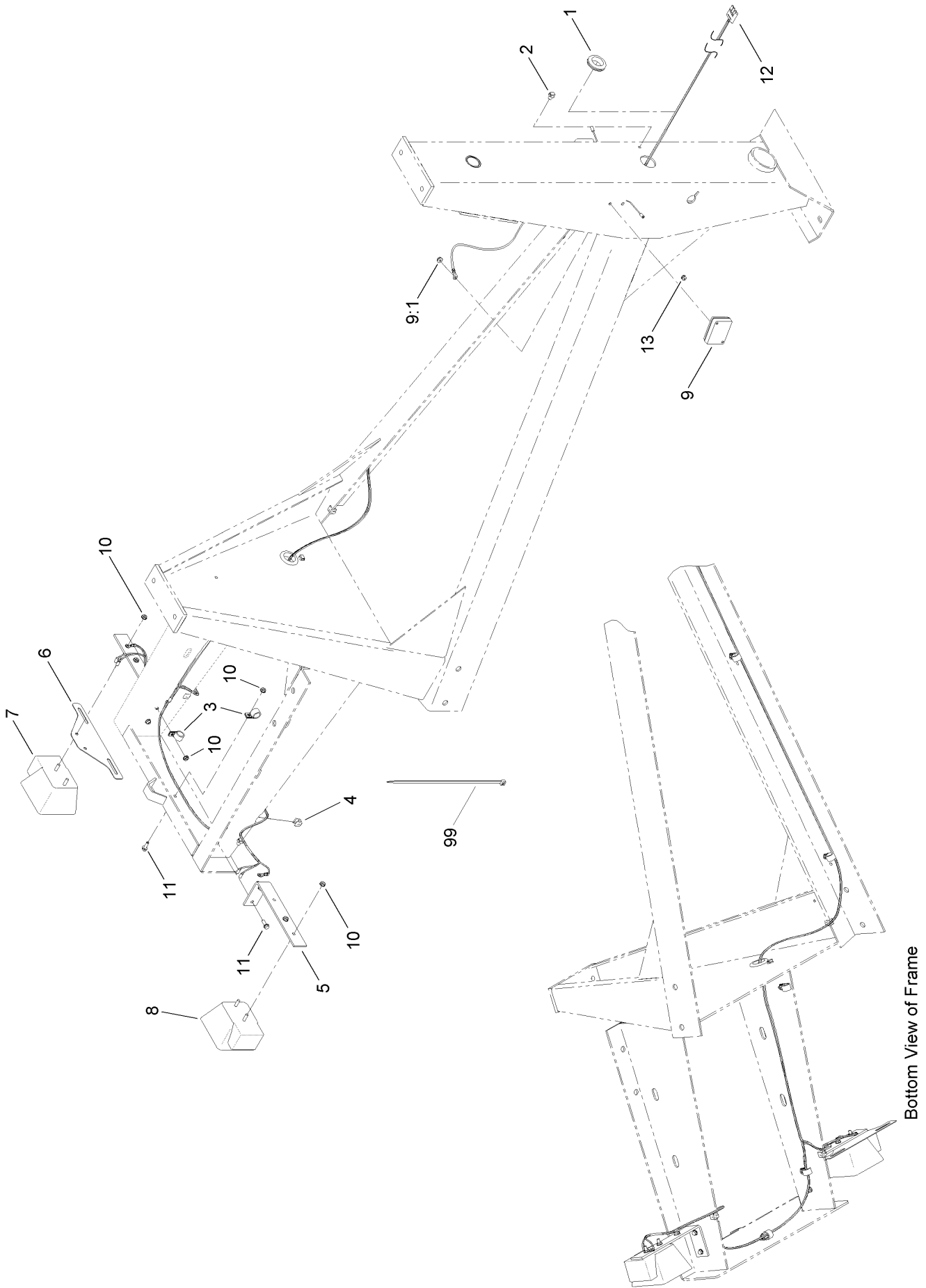
Cowl Assembly



Cowl Assembly (continued)

| <i>Ref.</i> | <i>Part Number</i> | <i>Qty.</i> | <i>Description</i> | <i>Ref.</i> | <i>Part Number</i> | <i>Qty.</i> | <i>Description</i> |
|-------------|--------------------|-------------|-----------------------|-------------|--------------------|-------------|---------------------|
| 1 | 127-2811 | 1 | Stationary Cowl ASM | 8 | 125-4877 | 1 | Harness-Wire, Mixer |
| 1:2 | 125-4940 | 1 | Decal-Stop, Engine | 9 | ST47182 | 3 | Latch-Rubber |
| 1:3 | 117-2718 | 1 | Decal-Arrester, Spark | 10 | 67-7320 | 2 | Decal |
| 2 | 701243 | 2 | Screw-HWHTF | 13 | 125-4937 | 2 | Decal |
| 3 | 3234-38 | 4 | Screw-HHF | 14 | 125-4942 | 1 | Decal |
| 4 | 99-5107 | 4 | Nut-Lock | 15 | 125-8218-03 | 1 | Plate-Engine |
| 5 | 127-1685 | 1 | Movable Cowl ASM | 16 | 110-9380 | 2 | Screw-HWH |
| 5:2 | 125-4939 | 1 | Decal-Warning | 17 | 3256-4 | 2 | Washer-Flat |
| 6 | ST44368 | 1 | Pin | 19 | 3256-6 | 2 | Washer-Flat |
| 7 | 95-8999 | 1 | Switch | | | | |

Trailer Light Assembly



Trailer Light Assembly (continued)

| <i>Ref.</i> | <i>Part Number</i> | <i>Qty.</i> | <i>Description</i> | <i>Ref.</i> | <i>Part Number</i> | <i>Qty.</i> | <i>Description</i> |
|-------------|--------------------|-------------|----------------------|-------------|--------------------|-------------|------------------------------|
| 1 | 120-4831 | 2 | Grommet | 9 | 127-7562 | 2 | Lamp-Marker, Front Side |
| 2 | 32180-030 | 2 | Clip-Tie | 9:1 | 32149-2 | 1 | Nut-Keps |
| 3 | 2412-87 | 7 | Clamp-Cable | 10 | 32149-2 | 13 | Nut-Keps |
| 4 | 32180-078 | 3 | Clip-Edge | 11 | 115-5103 | 9 | Screw-HHF |
| 5 | ST36003-03 | 2 | Bracket-Universal | 12 | 127-7567 | 1 | Harness-Wire, Trailer Lights |
| 6 | 125-8659-03 | 1 | Plate-License Holder | 13 | 127-7566 | 2 | Grommet |
| 7 | 120-3735 | 1 | Light-Tail, LH | 99 | 3290-379 | 5 | Tie-Cable |
| 8 | 120-3734 | 1 | Light-Tail, RH | | | | |

Attachments and Accessories

For 68009C CM-958H-P Concrete Mixer

| Product Name | Model/Part |
|-----------------------------------|-------------------|
| 31in Forged Tow Pole Hitch | 68056 |
| 31in Pintel Tow Pole Hitch | 68058 |
| 31in Stamped Tow Pole Hitch | 68060 |