

DIAGRAM 1

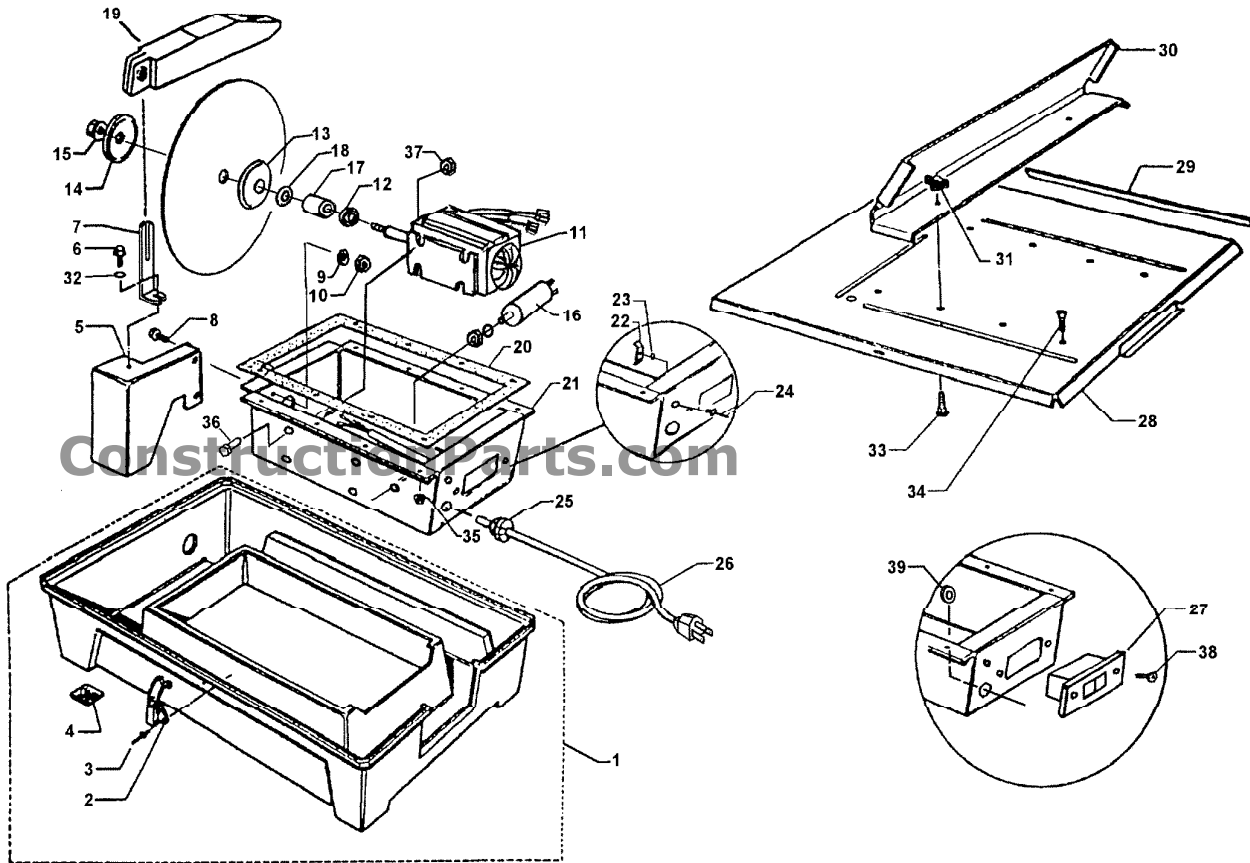


DIAGRAM 1 – FTS-70 TILE SAW PARTS LIST (7/20/01)

DIAG. LOC.	PART NO.	QTY. REQ.	DESCRIPTION	DIAG. LOC.	PART NO.	QTY. REQ.	DESCRIPTION
1	185222	1	Base Frame Assy (Incls. 2,3 & 4)	23	178035	1	Washer
2	169436	2	Latch	24	178038	1	Rivet, Blind
3	169666	4	Rivet, Blind	25	178018	1	Strain Relief
4	169667	4	Foot Pad	26	178031	1	Electrical Cord w/ Plug - 110V
5	185223	1	Deflector	27	185229	1	Switch - 110V
6	185224	1	Screw	28	185231	1	Table
7	185225	1	Splash Shield Support	29	169389	1	Scale
8	169418	2	Screw	30	169660	1	Cutting Guide
9	178089	2	Washer, M6	31	178022	2	Wing Nut, M6
10	178094	2	Nut, M6	32	178089	2	Washer, M6
--	185221	1	Motor Assy (Incls. 11 - 18)	33	178030	2	Carriage Bolt, M6x20
11	185213	1	Motor - 110V/60	34	178029	6	Screw, M5x10
12	185215	1	Shaft Seal	35	178037	6	Nut, M5
13	185218	1	Inner Flange	36	185227	4	Screw, M5x10
14	189219	1	Outer Flange	37	185228	4	Nut, M5
16	185220	1	Arbor Nut, M12	38	185230	2	Screw
16	185214	1	Capacitor for 185221	39	185232	1	Washer
17	185216	1	Spacer, 15 ID x 20mm Lg.	NOT SHOWN			
18	185217	1	Steel Washer, 0.5x17x12.3mm		189738	1	Decal: FTS-70
19	169672	1	Splash Shield Assy		187043	1	Decal: Warning (P)
20	169434	1	Gasket, Motor Support		169420	1	Decal: Motor Label (N)
21	185226	1	Motor Support		169671	1	Wrench, 18mm
22	178017	1	Dbl. Spade Terminal		185233	1	Hex Key, 5mm