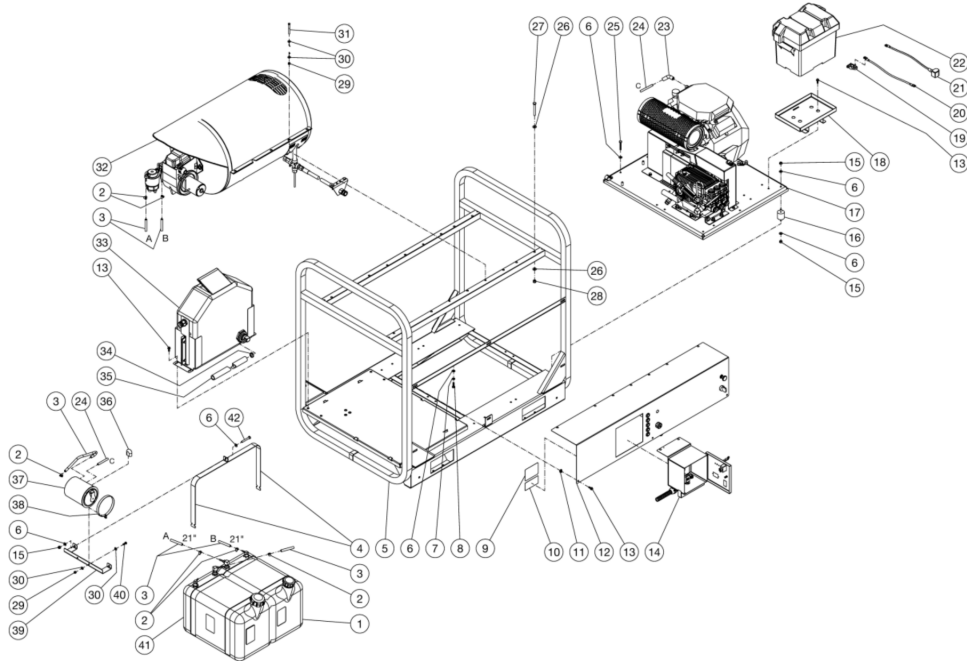




HDC-3005-0K6G / HDC-3005-0K6G (sn:0-99999999)

UNIT ASSEMBLY



| Id | Item # | Description | Quantity | Rev | Comments |
|----|----------------------------|-----------------------------------|----------|-----|----------|
| 1 | BURNER FUEL TANK ASSY | BURNER FUEL TANK ASSEMBLY | 1 | | |
| 2 | 42-0004 | CLAMP WORM | 6 | | |
| 2 | 42-0004 | CLAMP WORM (DIESEL) | 6 | | |
| 3 | 15-0008 | FUEL HOSE *(ELEVEN FEET REQUIRED) | 1 | | |
| 3 | DIESEL | FUEL HOSE *(FOUR FEET REQUIRED) | | | |
| 4 | 20-0585A18 | TANK STRAP | 4 | | |
| 5 | 5-0275A18 | FRAME | 1 | | |
| 5 | KUBOTA SKID FRAME ASSEMBLY | FRAME (DIESEL) | 1 | | |
| 6 | 28-0003 | WASHER | 24 | | |
| 7 | 29-0007 | LOCKWASHER | 2 | | |
| 8 | 27-0067 | BOLT | 2 | | |
| 9 | 34-1138 | DECAL - DATA PLATE | 1 | | |
| 10 | 34-0075 | DECAL- SILVER STICKER | 1 | | |
| 11 | 30-6027 | CLIP NUT | 3 | | |
| 12 | HDC CONTROL PANEL | CONTROL PANEL ASSEMBLY | 1 | | |

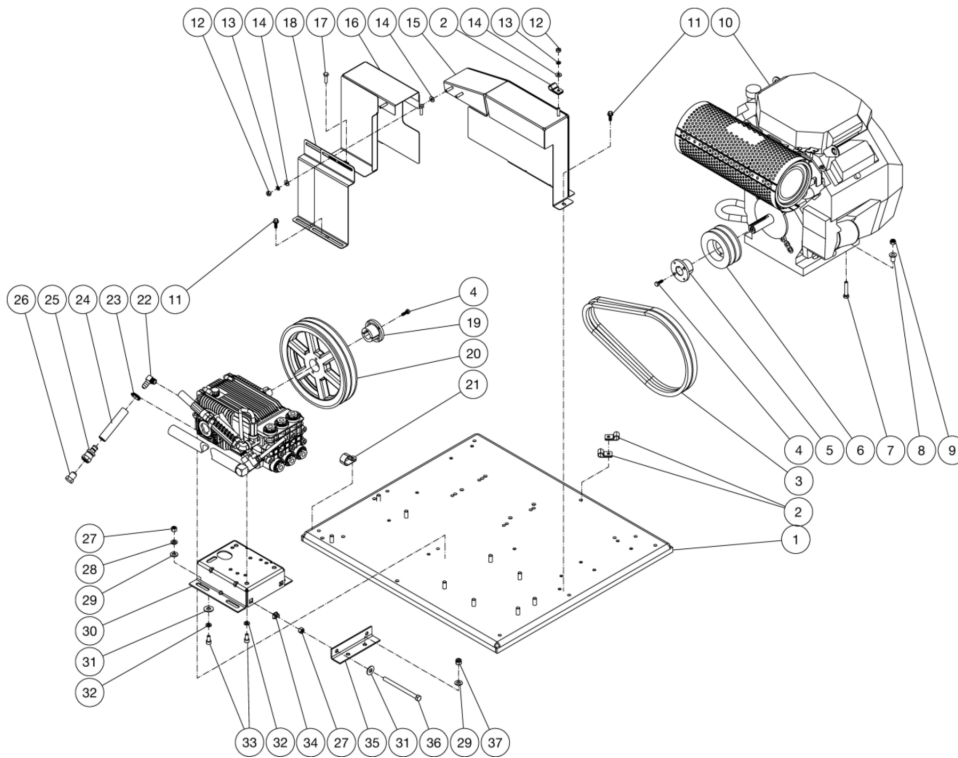
| Id | Item # | Description | Quantity | Rev | Comments |
|----|-----------------------------------|---|----------|-----|----------|
| 12 | HDC KUBOTA CONTROL PANEL | HDC KUBOTA CONTROL PANEL (DIESEL) | 1 | | |
| 13 | 27-1200 | BOLT | 11 | | |
| 14 | HDC ELECTRIC BOX ASSY | ELECTRIC BOX ASSEMBLY | 1 | | |
| 15 | 30-0157 | LOCKNUT | 20 | | |
| 16 | 14-0110 | ISOLATOR | 8 | | |
| 17 | HDC ISOLATION PLATE | ISOLATION PLATE ASSEMBLY | 1 | | |
| 17 | HDC KUBOTA ISO PLATE | ISOLATION PLATE ASSEMBLY | 1 | | |
| 18 | 20-1135A18 | BATTERY TRAY | 1 | | |
| 19 | 32-0066 | BATTERY END | 2 | | |
| 20 | 32-9113 | CABLE | 1 | | |
| 21 | 32-9114 | CABLE | 1 | | |
| 22 | 33-0093 | BATTERY BOX | 1 | | |
| 23 | 62-0229 | AIR CLEANER ADAPTER (GASOLINE MODELS) | 1 | | |
| 24 | 15-0261 | FUEL HOSE *(SEVEN FEET REQUIRED) (GASOLINE MODELS) | 1 | | |
| 25 | 27-0071 | BOLT | 2 | | |
| 26 | 28-0004 | WASHER | 16 | | |
| 27 | 27-0576 | BOLT | 8 | | |
| 28 | 30-0159 | LOCKNUT | 8 | | |
| 29 | 30-0155 | LOCKNUT | 6 | | |
| 30 | 28-0002 | WASHER | 12 | | |
| 31 | 27-0022 | BOLT | 4 | | |
| 32 | HDC 3005/3505 HEAT EXCHANGER ASSY | HEAT EXCHANGER ASSEMBLY (3005/3505) | 1 | | |
| 32 | HDC 4004 HEAT EXCHANGER ASSY | HEAT EXCHANGER ASSY (4004) | 1 | | |
| 33 | HDS FLOAT TANK ASSY | FLOAT TANK ASSEMBLY | 1 | | |
| 34 | 42-0003 | HOSE CLAMP | 1 | | |
| 35 | 15-0033 | HOSE *(TWO FEET REQUIRED) | 1 | | |
| 36 | 62-0218 | BREATHER VENT COVER (GASOLINE MODELS) | 1 | | |
| 37 | 62-0212 | CARB CANISTER (GASOLINE MODELS) | 1 | | |
| 38 | 20-1187A01 | CARB CANISTER STRAP (GASOLINE MODELS) | 2 | | |
| 39 | 20-1197 | CARB CANISTER MOUNT (GASOLINE MODELS) | 1 | | |
| 40 | 27-0015 | BOLT | 2 | | |
| 41 | HDS GAS TANK ASSY | GAS TANK ASSEMBLY | 1 | | |
| 41 | DIESEL FUEL TANK ASSY | DIESEL FUEL TANK ASSEMBLY (DIESEL) | 1 | | |
| 42 | 27-0072 | BOLT | 2 | | |

*MUST ORDER IN ONE FOOT LENGTHS



HDC-3005-0K6G / HDC-3005-0K6G (sn:0-99999999)

ISOLATION PLATE



| Id | Item # | Description | Quantity | Rev | Comments |
|----|------------|--|----------|-----|----------|
| 1 | 05-0170A18 | ISOLATION PLATE | 1 | | |
| 2 | 43-0003 | CLIP | 3 | | |
| 3 | 11-0052 | BELT (3005/3505) | 2 | | |
| 3 | 11-0050 | BELT (4004) | 2 | | |
| 4 | 27-0015 | BOLT | 4 | | |
| 5 | 9-0005 | BUSHING (HDC-3005/3505/4004-0V6G/3505/4004-0H6G) | 1 | | |
| 5 | 9-0007 | BUSHING (HDC-3505-0K6G) | 1 | | |
| 5 | 9-0010 | BUSHING (HDC-3005-0K6G) | 1 | | |
| 6 | 10-0125 | SHEAVE | 1 | | |
| 7 | 27-0070 | BOLT (HONDA/VANGUARD ONLY) | 4 | | |
| 7 | 27-0120 | BOLT (KOHLER ONLY) | 4 | | |
| 8 | 33-0169 | SHIM (HONDA ONLY) | 4 | | |
| 8 | 28-0004 | WASHER (KOHLER ONLY) | 4 | | |
| 8 | 28-0003 | FLATWASHER (VANGUARD ONLY) | 4 | | |

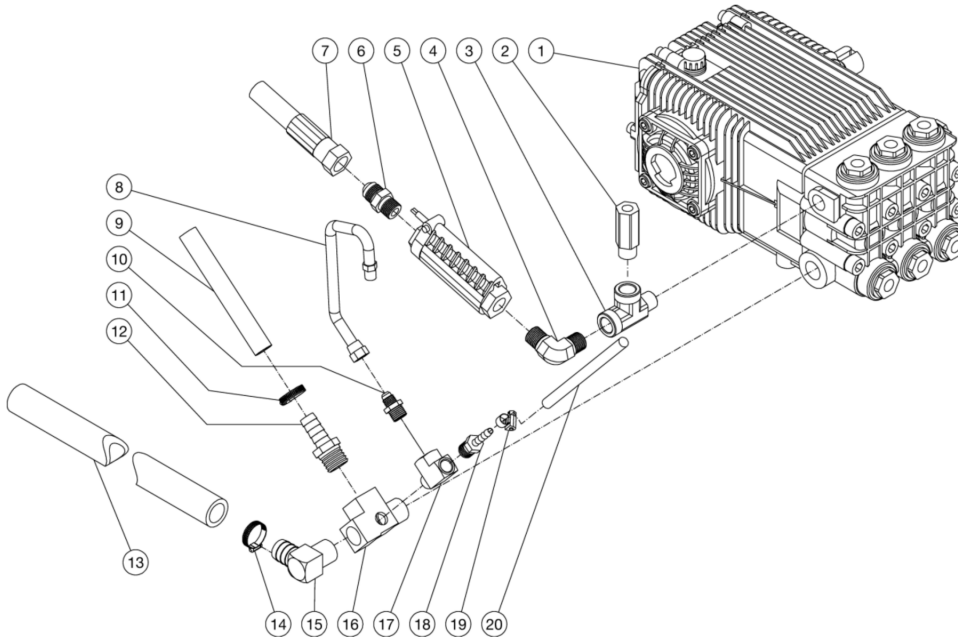
| Id | Item # | Description | Quantity | Rev | Comments |
|-----------|---------------|---|-----------------|------------|-----------------|
| 9 | 30-0157 | LOCKNUT (HONDA/VANGUARD ONLY) | 4 | | |
| 9 | 30-0159 | NUT (KOHLER ONLY) | 4 | | |
| 10 | 850-0393 | GX630 HONDA ENGINE (HDC-3505-1H6G; HDC-4004-1H6A) | 1 | | |
| 10 | 850-0333 | 20 HP KOHLER ENGINE (HDC-3505/4004-0K6G) | 1 | | |
| 10 | 850-0332 | 18 HP KOHLER ENGINE (HDC-3005-0K6G) | 1 | | |
| 10 | 850-0330 | 16 HP VANGUARD ENGINE (HDC-3005-0V6G) | 1 | | |
| 10 | 850-0331 | 21 HP VANGUARD ENGINE (HDC-3505/4004-0V6G) | 1 | | |
| 11 | 27-1200 | BOLT | 4 | | |
| 12 | 30-0002 | NUT | 4 | | |
| 13 | 29-0006 | LOCKWASHER | 6 | | |
| 14 | 28-0002 | WASHER | 8 | | |
| 15 | 06-0092A18 | PUMP BELTGUARD | 1 | | |
| 16 | 20-0690A18 | BELTGUARD | 1 | | |
| 17 | 27-0016 | BOLT | 2 | | |
| 18 | 20-0589A18 | BELTGUARD COVER | 2 | | |
| 19 | 9-0017 | BUSHING | 1 | | |
| 20 | 10-0037 | SHEAVE (3005/3505) | 1 | | |
| 20 | 10-0012 | SHEAVE (4004) | 1 | | |
| 21 | 33-0291 | CLIP | 1 | | |
| 22 | 23-0119 | ELBOW | 1 | | |
| 23 | 42-0011 | HOSE CLAMP | 1 | | |
| 24 | 15-0305 | HOSE *(TWO FEET REQUIRED) | 1 | | |
| 25 | 23-0360 | HOSE BARB | 1 | | |
| 26 | 23-0411 | PLUG | 1 | | |
| 27 | 30-0006 | NUT | 6 | | |
| 28 | 29-0008 | LOCKWASHER | 4 | | |
| 29 | 28-0004 | WASHER | 6 | | |
| 30 | 05-0153A18 | PUMP HAT | 1 | | |
| 31 | 28-0023 | WASHER | 3 | | |
| 32 | 29-0054 | LOCKWASHER (GENERAL MODELS) | 4 | | |
| 32 | 29-0055 | LOCKWASHER (A/R MODELS) | 4 | | |
| 33 | 27-8884 | BOLT (GENERAL MODELS) | 4 | | |
| 33 | 27-8471 | BOLT (A/R MODELS) | 4 | | |
| 34 | 30-6025 | CLIP NUT | 2 | | |
| 35 | 20-0584A18 | TENSION BRACKET | 1 | | |
| 36 | 27-0133 | BOLT | 2 | | |
| 37 | 30-0159 | LOCKNUT | 2 | | |

*MUST ORDER IN ONE FOOT LENGTHS



HDC-3005-0K6G / HDC-3005-0K6G (sn:0-99999999)

PUMP PLUMBING



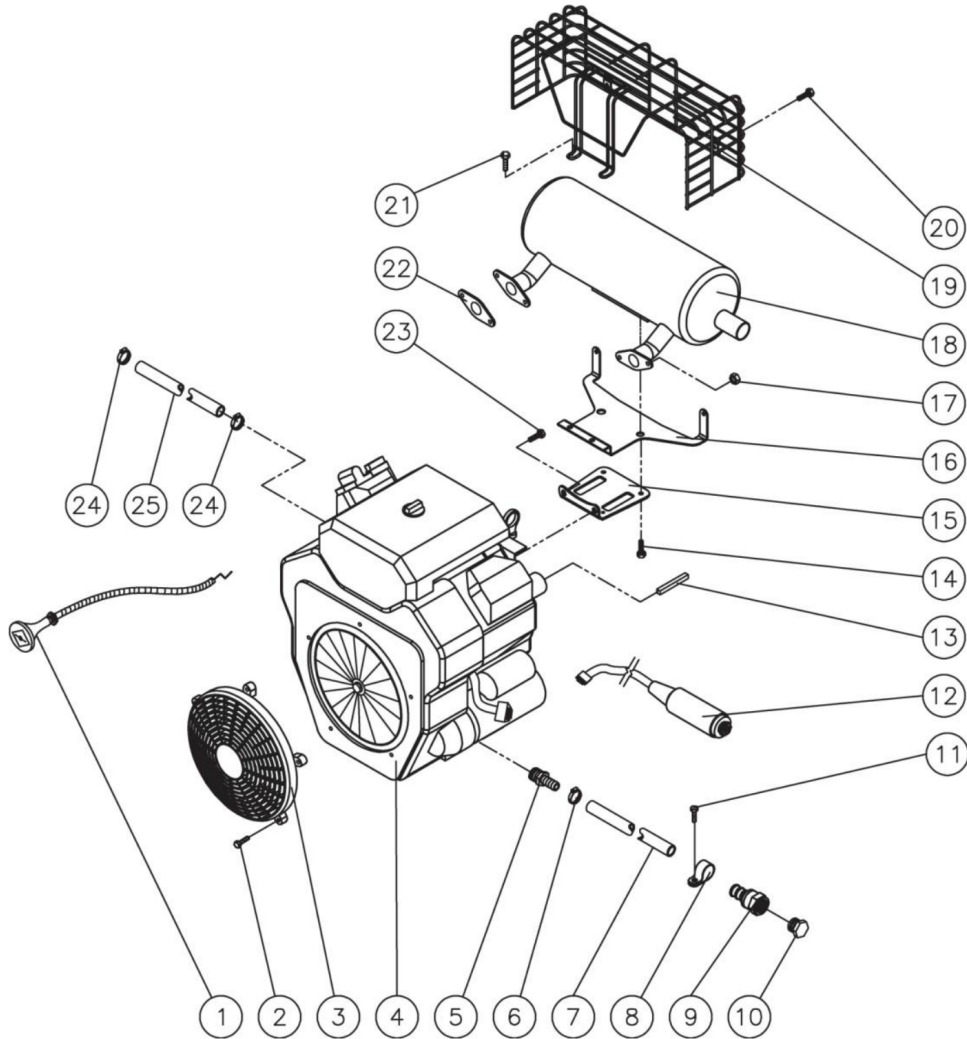
| Id | Item # | Description | Quantity | Rev | Comments |
|----|---------|-----------------------------|----------|-----|----------|
| 1 | 3-0213 | PUMP (4004) | 1 | | |
| 1 | 3-0202 | PUMP (3005/3505) | 1 | | |
| 2 | 22-0242 | EASY START VALVE (4004) | 1 | | |
| 3 | 23-0058 | STREET TEE (4004) | 1 | | |
| 4 | 24-0131 | ELBOW | 1 | | |
| 5 | 22-0428 | FLOW SWITCH | 1 | | |
| 6 | 24-0002 | NIPPLE | 1 | | |
| 7 | 15-0221 | HIGH PRESSURE HOSE ASSEMBLY | 1 | | |
| 8 | 15-0140 | EASY START HOSE (4004) | 1 | | |
| 9 | 15-0007 | HOSE *(THREE FEET REQUIRED) | 1 | | |
| 10 | 23-0247 | NIPPLE (4004) | 1 | | |
| 11 | 42-0011 | HOSE CLAMP | 1 | | |
| 12 | 23-0045 | BARB | 1 | | |
| 13 | 15-0033 | HOSE *(THREE FEET REQUIRED) | 1 | | |
| 14 | 42-0003 | HOSE CLAMP | 1 | | |
| 15 | 23-0037 | ELBOW | 1 | | |

| Id | Item # | Description | Quantity | Rev | Comments |
|-----------|---------------|---------------------------------|-----------------|------------|-----------------|
| 16 | 23-0388 | STREET TEE | 1 | | |
| 17 | 23-0127 | TEE (4004) | 1 | | |
| 18 | 23-0051 | BARB | 1 | | |
| 19 | 42-0004 | CLAMP WORM | 1 | | |
| 20 | 15-0079 | HOSE *(TWO FEET REQUIRED) | 1 | | |
| | | *MUST ORDER IN ONE FOOT LENGTHS | | | |



HDC-3005-0K6G / HDC-3005-0K6G (sn:0-99999999)

ENGINE ASSEMBLY



| Id | Item # | Description | Quantity | Rev | Comments |
|----|----------|-------------------------------------|----------|-----|----------|
| 1 | 33-0081 | CHOKE CABLE | 1 | | |
| 2 | N/A SEP. | BOLT (SEE 45-0072) | 5 | | |
| 3 | 45-0072 | BLOWER HOUSING FRONT GUARD W/ENGINE | 1 | | |
| 4 | 1-0140 | ENGINE- 18HP KOLHER | 1 | | |
| 5 | 23-0105 | HOSE BARB | 1 | | |
| 6 | 42-0011 | CLAMP WORM | 1 | | |
| 7 | 15-0305 | HOSE *(ONE FOOT REQUIRED) | 1 | | |
| 8 | 33-0291 | TUBE CLIP | 1 | | |

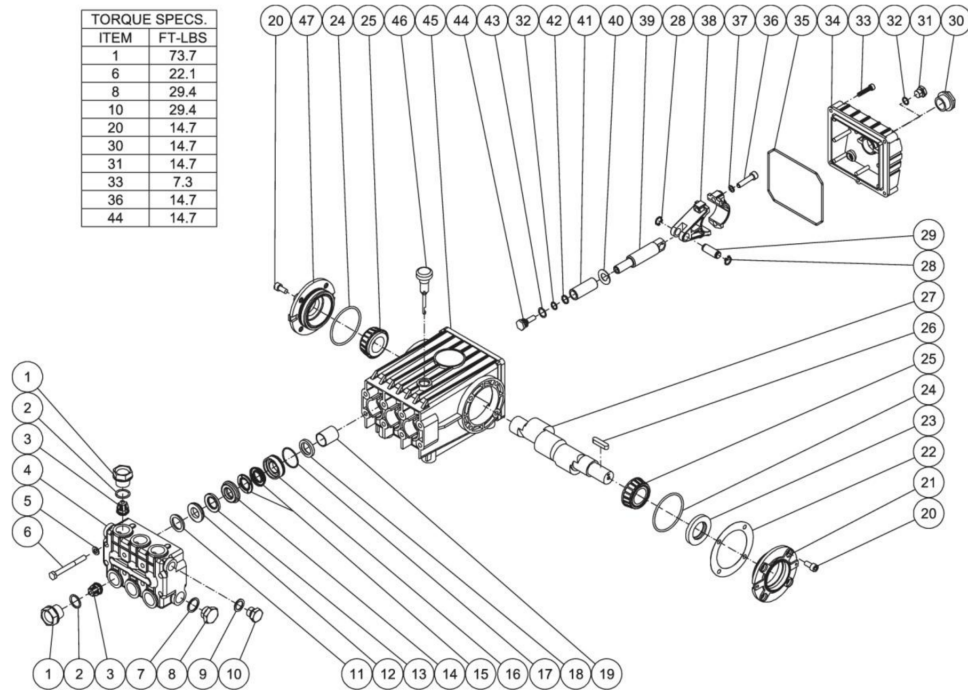
| Id | Item # | Description | Quantity | Rev | Comments |
|----|----------|-------------------------------------|----------|-----|----------|
| 9 | 23-0360 | HOSE BARB | 1 | | |
| 10 | 23-0411 | PLUG | 1 | | |
| 11 | 27-1200 | SCREW | 1 | | |
| 12 | 850-0299 | KEY SWITCH ASSEMBLY | 1 | | |
| 13 | 43-0078 | KEY | 1 | | |
| 14 | N/A SEP. | BOLT (SEE 45-0073) | 2 | | |
| 15 | N/A SEP. | MUFFLER SUPPORT (SEE 45-0073) | 1 | | |
| 16 | N/A SEP. | MUFFLER GUARD SUPPORT (SEE 45-0077) | 1 | | |
| 17 | N/A SEP. | NUT (SEE 45-0073) | 4 | | |
| 18 | 45-0073 | CANISTER MUFFLER | 1 | | |
| 19 | 45-0077 | MUFFLER GUARD | 1 | | |
| 20 | N/A SEP. | BOLT (SEE 45-0077) | 2 | | |
| 21 | N/A SEP. | BOLT (SEE 45-0077) | 2 | | |
| 22 | N/A SEP. | GASKET (SEE 45-0073) | 2 | | |
| 23 | N/A SEP. | BOLT (SEE 45-0073) | 2 | | |
| 24 | 42-0004 | CLAMP WORM | 2 | | |
| 25 | 15-0261 | HOSE *(THREE FEET REQUIRED) | 1 | | |

*MUST ORDER IN ONE FOOT LENGTHS



HDC-3005-0K6G / HDC-3005-0K6G (sn:0-99999999)

PUMP ASSEMBLY



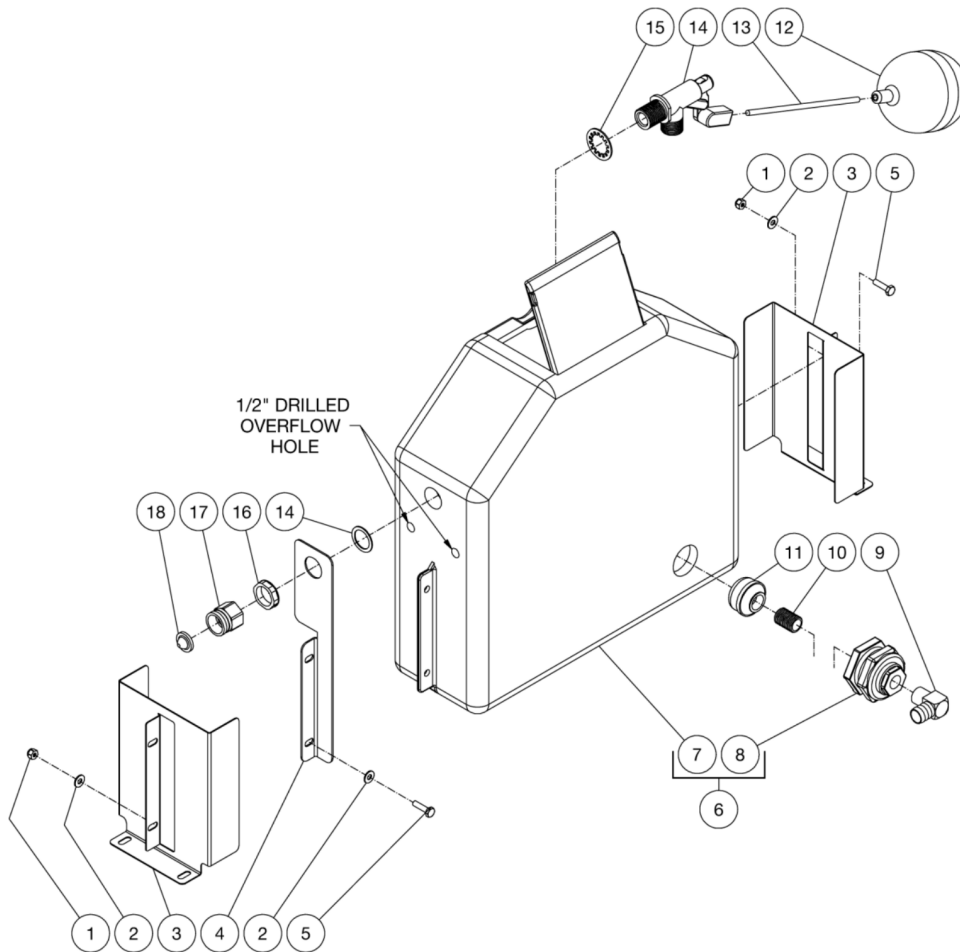
| Id | Item # | Description | Quantity | Rev | Comments |
|----|---------|--|----------|-----|----------|
| 1 | 46-0889 | VALVE CAP | 6 | | |
| 2 | 25-0012 | O-RING | 6 | | |
| 3 | 22-0056 | VALVE (SEE KIT 70-0009) | 6 | | |
| 4 | 46-0890 | MANIFOLD | 1 | | |
| 5 | 28-1039 | WASHER | 8 | | |
| 6 | 27-8185 | BOLT | 8 | | |
| 7 | 28-1038 | WASHER | 2 | | |
| 8 | 39-0019 | PLUG | 2 | | |
| 9 | 28-1002 | WASHER | 2 | | |
| 10 | 39-0018 | PLUG | 2 | | |
| 11 | 70-0030 | HEAD RING (SEE KIT 70-0030 AND 852-0122) | 3 | | |
| 12 | 26-0098 | V-PACKING SUPPORT (SEE KIT 70-0147 AND 852-0122) | 3 | | |
| 13 | 25-0207 | O-RING (SEE KIT 70-0147 AND 70-0148 AND 852-0122) | 3 | | |
| 14 | 46-0659 | HIGH PRESSURE INTERMEDIATE SEAL RETAINER (SEE KIT 70-0148) | 3 | | |
| 15 | 26-0197 | PRESSURE SEAL (SEE KIT 70-0147 AND 852-0122) | 3 | | |

| Id | Item # | Description | Quantity | Rev | Comments |
|-----------|---------------|--|-----------------|------------|-----------------|
| 16 | 46-0057 | LOW PRESSURE SEAL RETAINER | 3 | | |
| 17 | 25-0015 | O-RING (SEE KIT 852-0122) | 3 | | |
| 18 | 26-0047 | OIL SEAL | 3 | | |
| 19 | 9-0029 | BUSHING | 3 | | |
| 20 | 27-8431 | BOLT | 8 | | |
| 21 | 46-0296 | CRANKCASE COVER | 1 | | |
| 22 | 46-0113 | SHIM | 1 | | |
| 23 | 26-0049 | OIL SEAL | 1 | | |
| 24 | 25-0013 | O-RING | 2 | | |
| 25 | 48-0012 | BEARING | 2 | | |
| 26 | 43-0048 | KEY | 1 | | |
| 27 | 46-0050 | CRANKSHAFT | 1 | | |
| 28 | 46-0103 | RETAINING RING | 6 | | |
| 29 | 43-0032 | CONNECTING ROD PIN | 3 | | |
| 30 | 46-0114 | OIL LEVEL INDICATOR | 1 | | |
| 31 | 39-0017 | PLUG | 1 | | |
| 32 | 25-0014 | O-RING | 4 | | |
| 33 | 27-8404 | BOLT | 5 | | |
| 34 | 46-0295 | CRANKCASE OPEN COVER | 1 | | |
| 35 | 25-0339 | O-RING | 1 | | |
| 36 | 27-8435 | BOLT | 6 | | |
| 37 | 29-0154 | LOCKWASHER | 6 | | |
| 38 | 46-0051 | CONNECTING ROD | 3 | | |
| 39 | 46-0056 | PISTON ROD | 3 | | |
| 40 | 46-0146 | SLINGER WASHER | 3 | | |
| 41 | 46-0052 | PLUNGER | 3 | | |
| 42 | 46-0109 | BACK-UP RING | 3 | | |
| 43 | 28-0400 | WASHER | 3 | | |
| 44 | 46-0069 | NUT / PISTON | 3 | | |
| 45 | 46-0047 | CRANKCASE | 1 | | |
| 46 | 46-0144 | OIL DIP STICK | 1 | | |
| 47 | 46-0336 | CRANKCASE COVER | 1 | | |
| KIT | 70-0009 | VALVES (INC. 6 EACH 3) | | | |
| KIT | 70-0030 | HEAD RING (INC. 3 EACH 11) | | | |
| KIT | 70-0147 | V-PACKING (INC. 3 EACH 12, 13, 15) | | | |
| KIT | 70-0148 | INTERMEDIATE RETAINER (INC. 3 EACH 13, 14) | | | |
| KIT | 852-0122 | V-PACKING ASSY (INC. 3 EACH 11-13, 15, 17) | | | |



HDC-3005-0K6G / HDC-3005-0K6G (sn:0-99999999)

FLOAT TANK ASSEMBLY



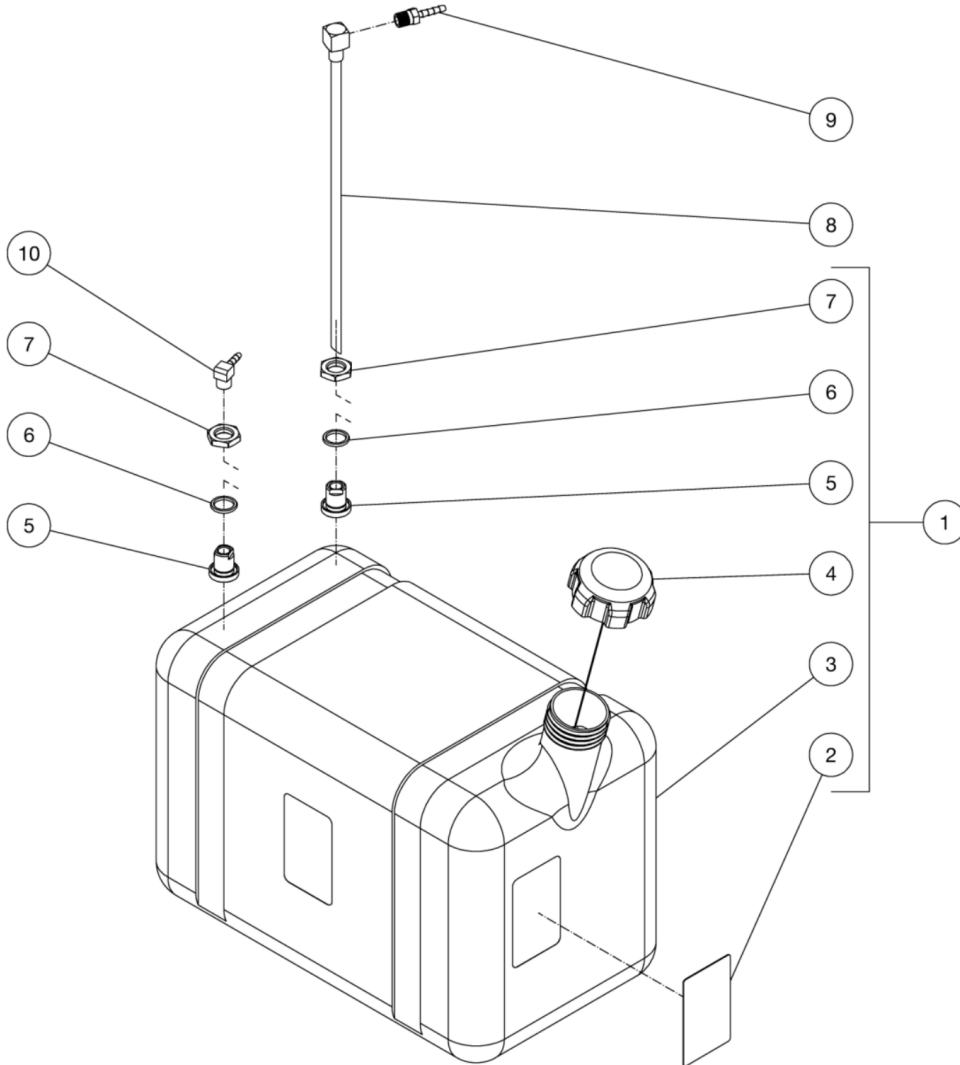
| Id | Item # | Description | Quantity | Rev | Comments |
|----|------------|--------------------------------|----------|-----|----------|
| 1 | 30-0155 | LOCKNUT | 4 | | |
| 2 | 28-0002 | WASHER | 6 | | |
| 3 | 20-0586A18 | BRACKET / FLOAT TANK | 2 | | |
| 4 | 20-0912A18 | BRACKET | 1 | | |
| 5 | 27-0016 | BOLT | 4 | | |
| 6 | 850-0322 | FLOAT TANK ASSEMBLY (INC. 7-8) | 1 | | |
| 7 | N/A | FLOAT TANK | 1 | | |
| 8 | N/A | BULKHEAD (INC. 25-0506 GASKET) | 1 | | |
| 9 | 23-0037 | ELBOW | 1 | | |
| 10 | 23-0019 | NIPPLE | 1 | | |

| Id | Item # | Description | Quantity | Rev | Comments |
|-----------|---------------|--------------------|-----------------|------------|-----------------|
| 11 | 19-0203 | STRAINER | 1 | | |
| 12 | 22-0059 | FLOAT | 1 | | |
| 13 | 31-3320 | BALL FLOAT STUD | 1 | | |
| 14 | 22-0317 | FLOAT VALVE | 1 | | |
| 15 | 29-0074 | LOCKWASHER | 1 | | |
| 16 | 23-0428 | LOCKNUT | 1 | | |
| 17 | 23-0021 | GARDEN HOSE INLET | 1 | | |
| 18 | 19-0001 | FILTER | 1 | | |



HDC-3005-0K6G / HDC-3005-0K6G (sn:0-99999999)

GAS TANK ASSEMBLY



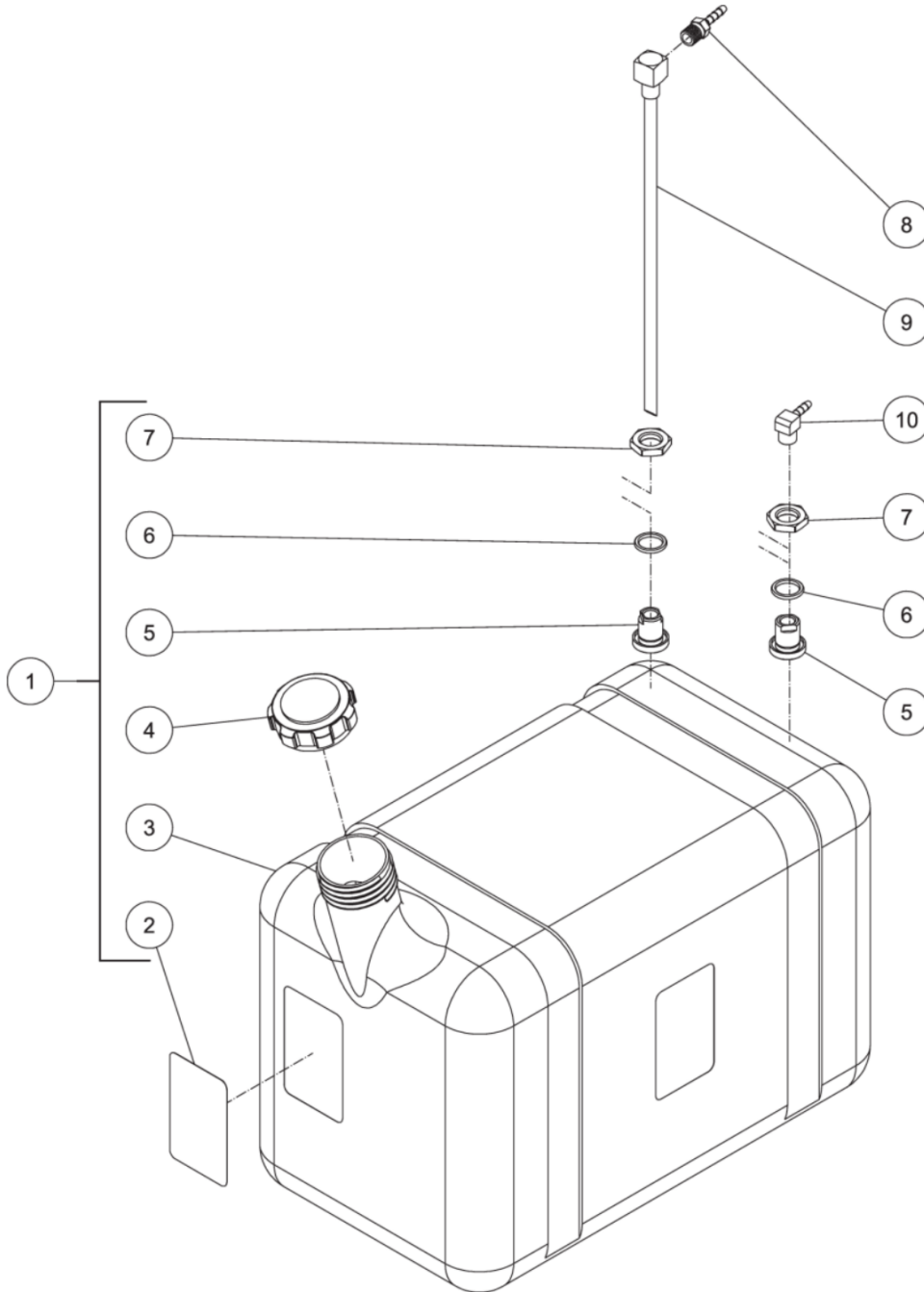
| Id | Item # | Description | Quantity | Rev | Comments |
|----|----------|---|----------|-----|----------|
| 1 | 850-0306 | GAS TANK ASSY (INC 2-7) | 1 | | |
| 2 | N/A | DECAL- CAUTION: GASOLINE ONLY (SEE 71-0034) | 1 | | |
| 3 | N/A | FUEL TANK - RED | 1 | | |
| 4 | 12-0220 | FUEL CAP - SEALED/TETHERED | 1 | | |
| 5 | 23-0408 | BULKHEAD FITTING | 2 | | |
| 6 | 25-0427 | O-RING | 2 | | |
| 7 | 23-0409 | NUT | 2 | | |
| 8 | 33-0352 | FUEL PICK-UP | 1 | | |

| Id | Item # | Description | Quantity | Rev | Comments |
|-----------|---------------|--------------------|-----------------|------------|-----------------|
| 9 | 23-0051 | BARB | 1 | | |
| 10 | 23-0054 | ELBOW | 1 | | |



HDC-3005-0K6G / HDC-3005-0K6G (sn:0-99999999)

BURNER FUEL TANK



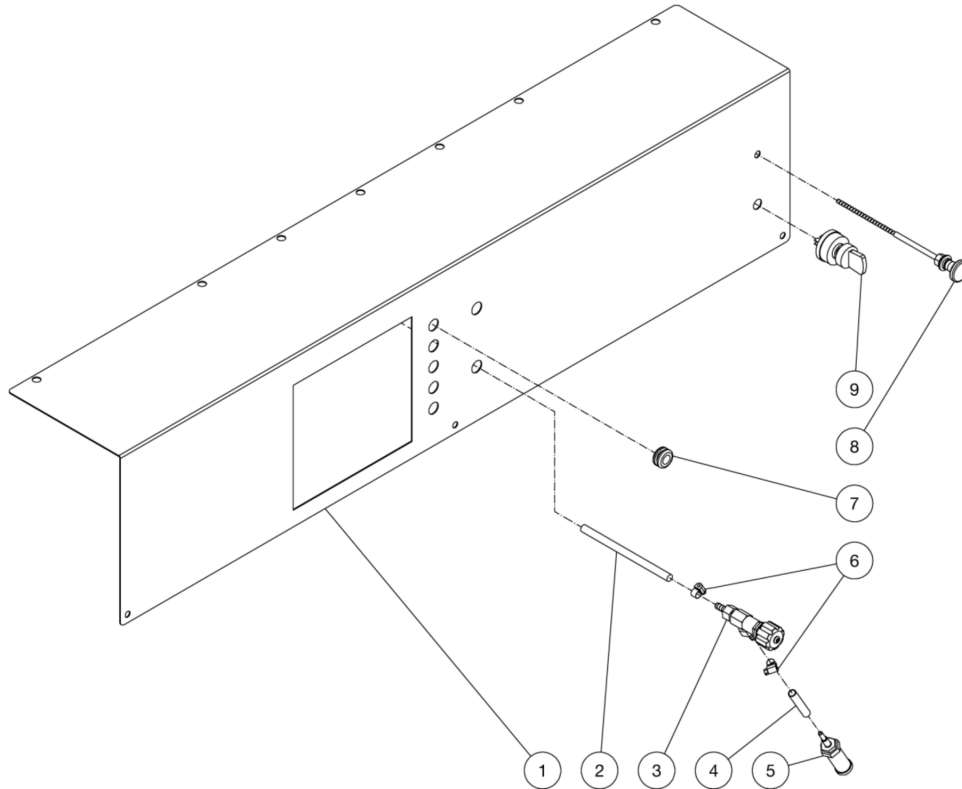
| Id | Item # | Description | Quantity | Rev | Comments |
|----|----------|--|----------|-----|----------|
| 1 | 850-0307 | FUEL TANK ASSEMBLY (INC. 2-3, 5-7) | 1 | | |
| 2 | N/A SEP. | DECAL- CAUTION: RISK OF FIRE (SEE 71-0041) | 1 | | |

| Id | Item # | Description | Quantity | Rev | Comments |
|-----------|---------------|-------------------------------|-----------------|------------|-----------------|
| 3 | N/A Sep. | FUEL TANK (SEE 850-0307) | 1 | | |
| 4 | 12-0033 | FUEL CAP | 1 | | |
| 5 | 23-0408 | BULKHEAD FITTING | 2 | | |
| 6 | 25-0427 | O-RING | 2 | | |
| 7 | 23-0409 | NUT | 2 | | |
| 8 | 23-0051 | HOSE BARB | 1 | | |
| 9 | 33-0352 | FUEL PICKUP | 1 | | |
| 10 | 23-0054 | ELBOW | 1 | | |
| | 71-0041 | SAFETY DECAL KIT (INCLUDES 2) | | | |



HDC-3005-0K6G / HDC-3005-0K6G (sn:0-99999999)

CONTROL PANEL ASSEMBLY



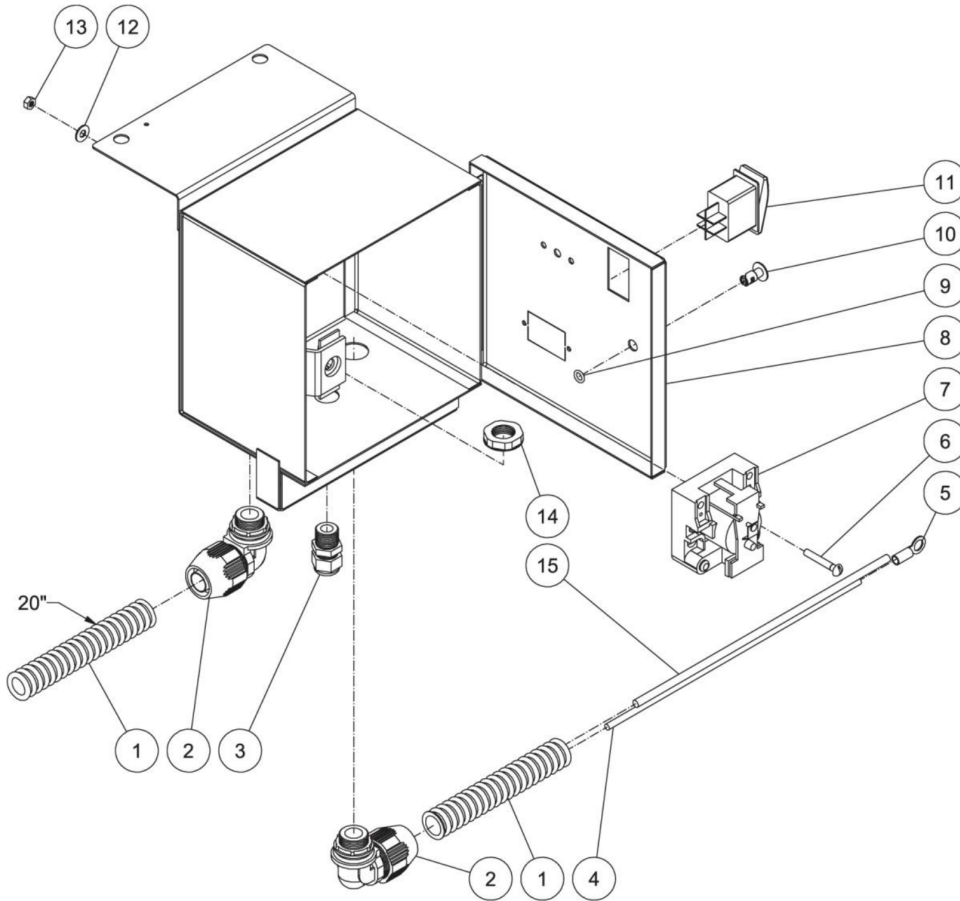
| Id | Item # | Description | Quantity | Rev | Comments |
|----|------------|------------------------------|----------|-----|----------|
| 1 | 20-1095A18 | CONTROL PANEL | 1 | | |
| 2 | 15-0079 | HOSE *(TWO FEET REQUIRED) | 1 | | |
| 3 | 22-0226 | DETERGENT VALVE | 1 | | |
| 4 | 15-0021 | HOSE *(SIX FEET REQUIRED) | 1 | | |
| 5 | 19-0056 | STRAINER | 1 | | |
| 6 | 42-0004 | CLAMP WORM | 2 | | |
| 7 | 33-0001 | GROMMET | 5 | | |
| 8 | 33-0081 | CHOKE CABLE | 1 | | |
| 9 | 45-0076 | KEY SWITCH (HONDA ENGINE) | 1 | | |
| 9 | 45-0071 | KEY SWITCH (KOHLER ENGINE) | 1 | | |
| 9 | 45-0079 | KEY SWITCH (VANGUARD ENGINE) | 1 | | |

*MUST ORDER IN ONE FOOT LENGTHS



HDC-3005-0K6G / HDC-3005-0K6G (sn:0-99999999)

ELECTRICAL BOX ASSEMBLY



| Id | Item # | Description | Quantity | Rev | Comments |
|----|------------|---|----------|-----|----------|
| 1 | 32-0253 | CONDUIT FLEX *(SEVEN FEET REQUIRED) | 2 | | |
| 1 | 32-0253 | CONDUIT FLEX *(FOUR FEET REQUIRED) (DIESEL) | 1 | | |
| 2 | 32-0254 | CONDUIT ELBOW | 2 | | |
| 3 | 32-0586 | STRAIN RELIEF | 3 | | |
| 4 | 32-0500 | WIRE *(SEVEN FEET REQUIRED) | 1 | | |
| 4 | 32-0500 | WIRE *(FOUR FEET REQUIRED) (DIESEL) | 1 | | |
| 5 | 32-0639 | TERMINAL RING | 2 | | |
| 6 | 27-8912 | SCREW | 2 | | |
| 7 | 32-0791 | RELAY CONTROL | 1 | | |
| 8 | 20-1097A18 | ELECTRIC BOX | 1 | | |
| 9 | 25-0209 | O-RING | 1 | | |

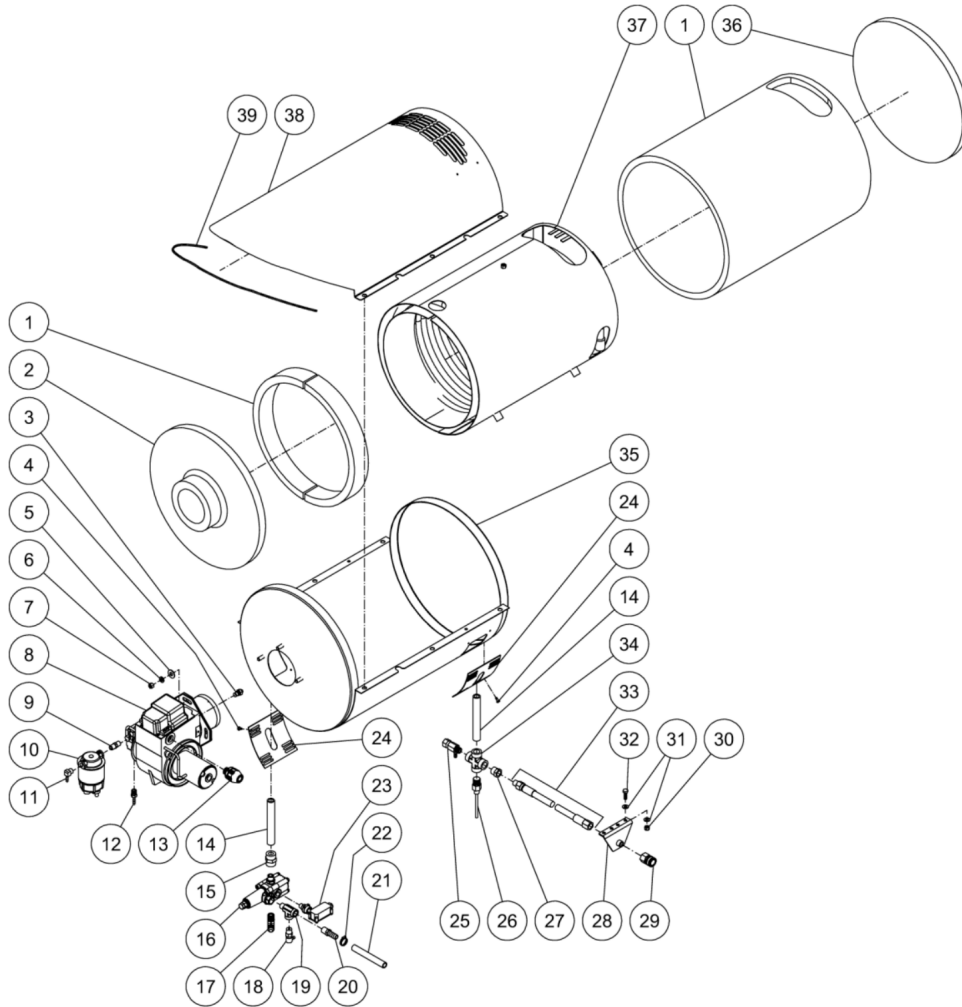
| Id | Item # | Description | Quantity | Rev | Comments |
|-----------|---------------|--------------------------------------|-----------------|------------|-----------------|
| 10 | 33-0197 | FASTENER | 1 | | |
| 11 | 32-0969 | ROCKER SWITCH W/LAMP | 1 | | |
| 12 | 28-0001 | WASHER | 2 | | |
| 13 | 30-6001 | NUT | 2 | | |
| 14 | 32-0587 | ELECTRICAL LOCKNUT | 3 | | |
| 15 | 32-0794 | WIRE *(SEVEN FEET REQUIRED) | 1 | | |
| 15 | 32-0794 | WIRE *(THREE FEET REQUIRED) (DIESEL) | 1 | | |

*MUST ORDER IN ONE FOOT LENGTHS



HDC-3005-0K6G / HDC-3005-0K6G (sn:0-99999999)

HEAT EXCHANGER ASSEMBLY



| Id | Item # | Description | Quantity | Rev | Comments |
|----|----------|----------------------|----------|-----|----------|
| 1 | 850-0279 | INSULATION BLANKET | 1 | | |
| 2 | 33-0345 | INSULATION DRUM HEAD | 1 | | |
| 3 | 18-0090 | FUEL NOZZLE | 1 | | |
| 4 | 27-3062 | BOLT | 8 | | |
| 5 | 28-0023 | WASHER | 3 | | |
| 6 | 29-0008 | LOCKWASHER | 3 | | |
| 7 | 30-0006 | NUT | 3 | | |
| 8 | 4-0021 | BURNER | 1 | | |
| 9 | 24-0145 | NIPPLE | 1 | | |

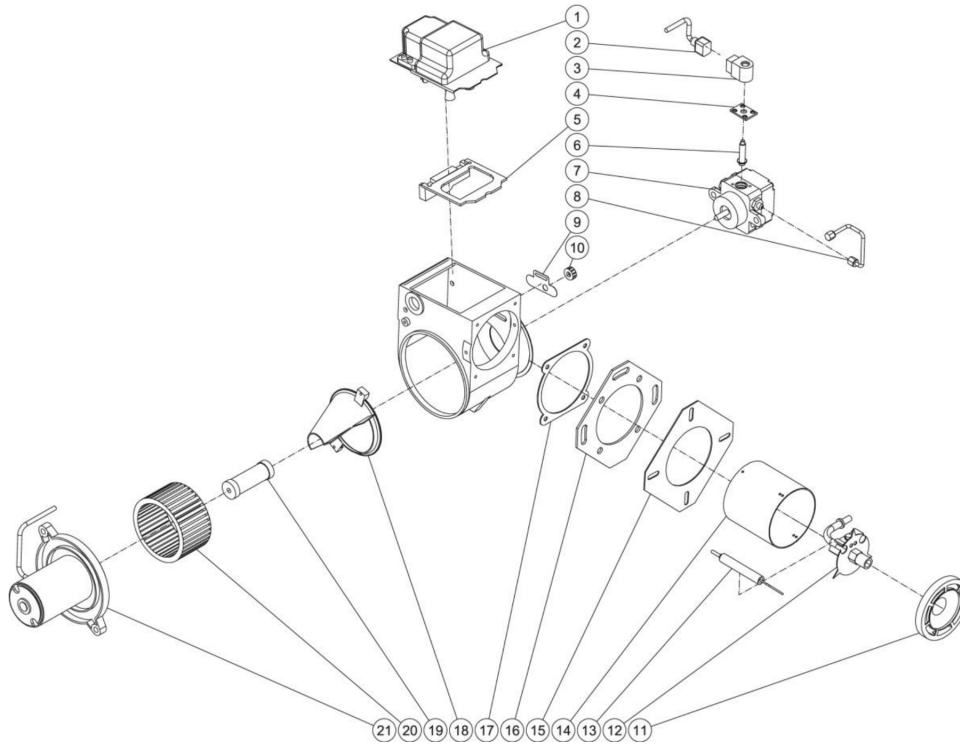
| Id | Item # | Description | Quantity | Rev | Comments |
|----|------------|-------------------------------|----------|-----|----------|
| 10 | 19-0070 | FUEL FILTER / WATER SEPERATOR | 1 | | |
| 11 | 23-0054 | ELBOW | 1 | | |
| 12 | 23-0051 | BARB | 1 | | |
| 13 | 32-0255 | CONDUIT FITTING | 1 | | |
| 14 | 24-0254 | PIPE NIPPLE | 2 | | |
| 15 | 24-0243 | ADAPTER | 1 | | |
| 16 | 8-0013 | UNLOADER | 1 | | |
| 17 | 24-0092 | ELBOW | 1 | | |
| 18 | 22-0432 | HEAT DUMP VALVE | 1 | | |
| 19 | 23-0058 | STREET TEE | 1 | | |
| 20 | 23-0105 | HOSE BARB | 1 | | |
| 20 | 23-0050 | ELBOW HOSE BARB | 1 | | |
| 21 | 15-0007 | HOSE *(THREE FEET REQUIRED) | 1 | | |
| 22 | 42-0011 | HOSE CLAMP | 1 | | |
| 23 | 22-0243 | PRESSURE SWITCH | 1 | | |
| 24 | 20-0537A18 | PATCH PLATE | 2 | | |
| 25 | 22-0309 | SAFETY RELIEF VALVE | 1 | | |
| 26 | 32-0667 | HI-LIMIT SWITCH | 1 | | |
| 27 | 23-0016 | REDUCER BUSHING | 1 | | |
| 28 | 13-0199A18 | WATER OUTLET BRACKET | 1 | | |
| 29 | 17-0004 | QC SOCKET | 1 | | |
| 30 | 30-0157 | LOCKNUT | 2 | | |
| 31 | 28-0003 | WASHER | 4 | | |
| 32 | 27-0067 | BOLT | 2 | | |
| 33 | 15-0202 | HP HOSE | 1 | | |
| 34 | 24-0241 | CROSS | 1 | | |
| 35 | 20-0527A18 | BOTTOM WRAP | 1 | | |
| 36 | 33-0346 | INSULATION DISC | 1 | | |
| 37 | 66-0014 | COIL | 1 | | |
| 38 | 21-0129 | TOP WRAP | 1 | | |
| 39 | 33-0020 | EDGING *(THREE FEET REQUIRED) | 1 | | |

*MUST ORDER IN ONE FOOT LENGTHS



HDC-3005-0K6G / HDC-3005-0K6G (sn:0-99999999)

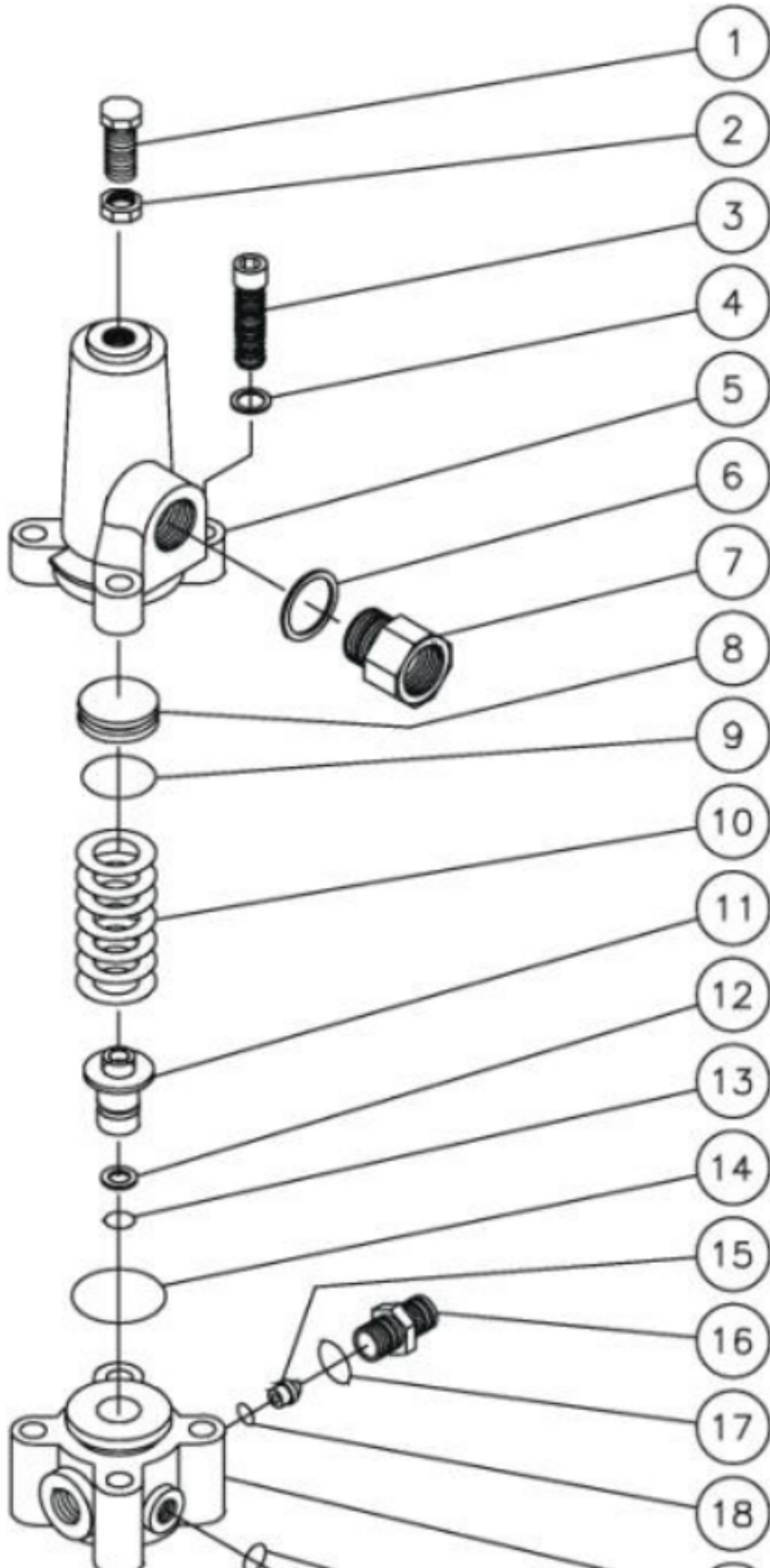
BURNER ASSEMBLY

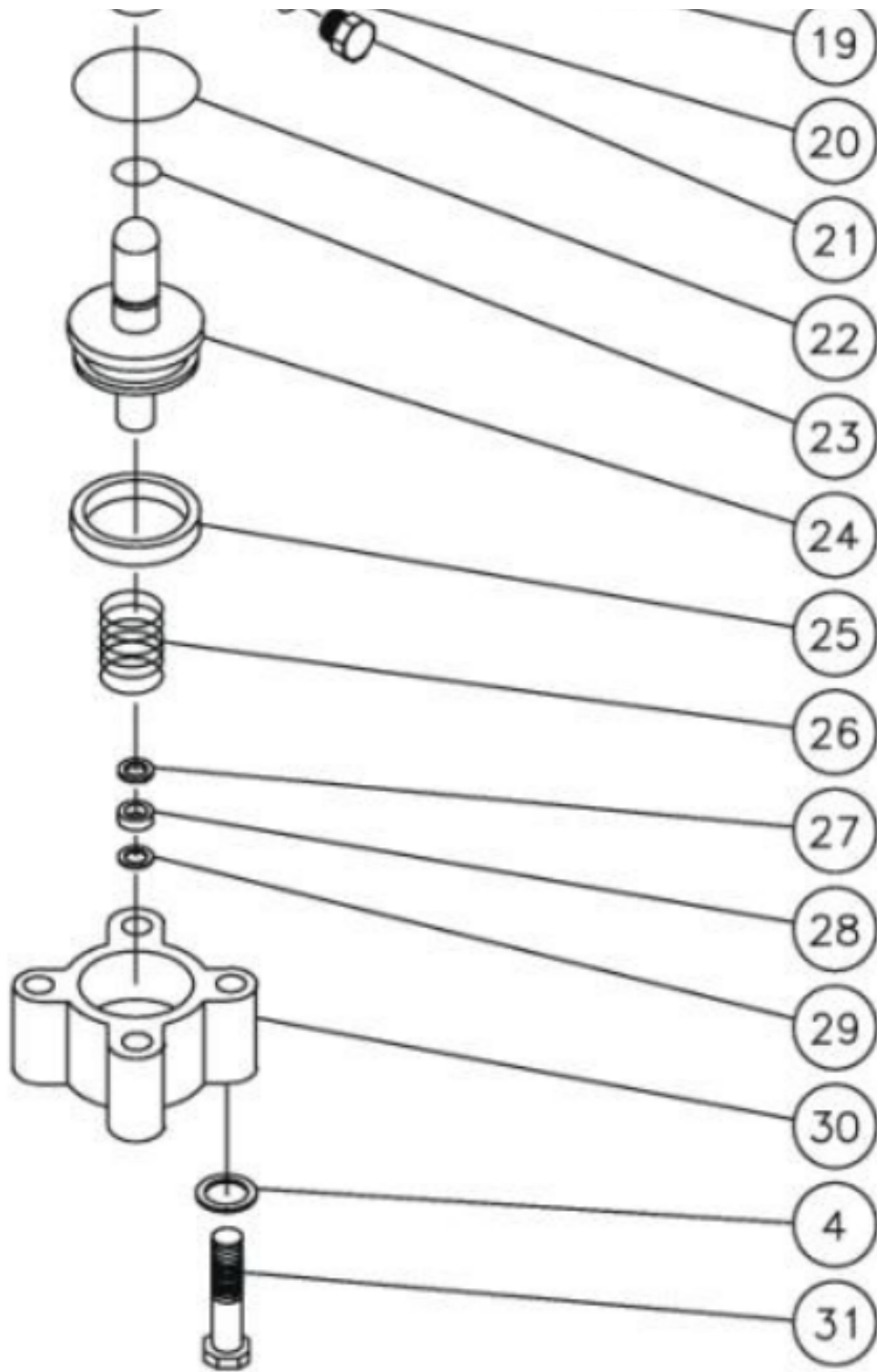


| Id | Item # | Description | Quantity | Rev | Comments |
|----|---------|---------------------------|----------|-----|----------|
| 1 | 44-0125 | IGNITER ASSY W/ BASEPLATE | 1 | | |
| 2 | 44-0122 | CORD SET | 1 | | |
| 3 | 46-1015 | COIL | 1 | | |
| 4 | 46-1004 | TUBE BASE PLATE | 1 | | |
| 5 | 70-0369 | IGNITER GASKET KIT | 1 | | |
| 6 | 46-1012 | SOLENOID PISTON | 1 | | |
| 7 | 3-0434 | FUEL PUMP | 1 | | |
| 8 | 44-0025 | TUBING | 1 | | |
| 9 | 44-0031 | PLATE | 1 | | |
| 10 | 44-0022 | NUT | 1 | | |
| 11 | 44-0011 | COMBUSTION HEAD | 1 | | |
| 12 | 44-0111 | ELECTRODE KIT | 1 | | |
| 13 | 44-0114 | ELECTRODE | 1 | | |
| 14 | 44-0110 | AIR TUBE | 1 | | |

| Id | Item # | Description | Quantity | Rev | Comments |
|-----------|---------------|------------------------|-----------------|------------|-----------------|
| 15 | 44-0108 | FLANGE MOUNTING GASKET | 1 | | |
| 16 | 44-0109 | FLANGE | 1 | | |
| 17 | 26-0138 | GASKET FLANGE | 1 | | |
| 18 | 44-0123 | AIR GUIDE | 1 | | |
| 19 | 44-0127 | COUPLING | 1 | | |
| 20 | 44-0124 | BLOWER WHEEL | 1 | | |
| 21 | 2-0139 | MOTOR | 1 | | |

UNLOADER ASSEMBLY





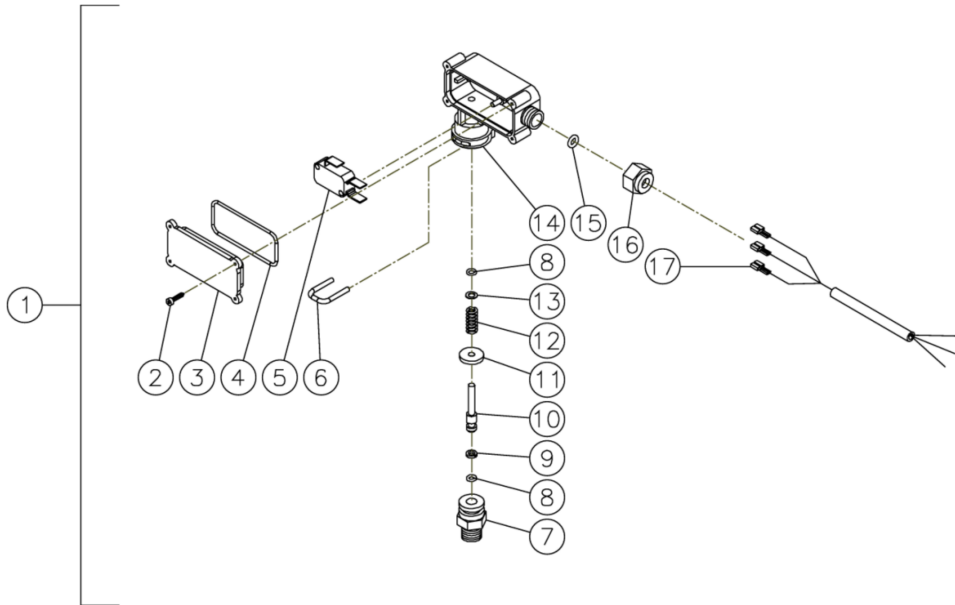
| Id | Item # | Description | Quantity | Rev | Comments |
|----|---------|-----------------------------|----------|-----|----------|
| 1 | 27-8077 | BOLT | 1 | | |
| 2 | 30-3010 | HEX NUT | 1 | | |
| 3 | 27-8434 | BOLT | 4 | | |
| 4 | 29-0154 | LOCKWASHER | 8 | | |
| 5 | 8-0138 | UPPER BODY | 1 | | |
| 6 | 8-0277 | WASHER | 1 | | |
| 7 | 8-0125 | BY-PASS RESTRICTOR (8-0012) | 1 | | |
| 7 | 8-0124 | BY-PASS RESTRICTOR (8-0013) | 1 | | |
| 8 | 8-0135 | SPRING GUIDE | 1 | | |

| Id | Item # | Description | Quantity | Rev | Comments |
|-----|----------|---|----------|-----|----------|
| 9 | 25-0118 | O-RING | 1 | | |
| 10 | 49-0026 | SPRING | 1 | | |
| 11 | 8-0145 | VALVE SEAT | 1 | | |
| 12 | 8-0141 | BACK-UP RING | 1 | | |
| 13 | 25-0121 | O-RING | 1 | | |
| 14 | 25-0117 | O-RING | 1 | | |
| 15 | 8-0126 | FLOW BALANCER FOR 8-0012 | 1 | | |
| 15 | 8-0128 | FLOW BALANCER FOR 8-0013 | 1 | | |
| 16 | 8-0130 | NIPPLE | 1 | | |
| 17 | 25-0052 | O-RING | 1 | | |
| 18 | 25-0119 | O-RING | 1 | | |
| 19 | 8-0137 | MIDDLE BODY | 1 | | |
| 20 | 25-0114 | O-RING | 2 | | |
| 21 | 39-0017 | HEX PLUG | 2 | | |
| 22 | 25-0056 | O-RING | 1 | | |
| 23 | 25-0120 | O-RING | 1 | | |
| 24 | 8-0136 | PISTON ASSEMBLY | 1 | | |
| 25 | 26-0104 | SEAL | 1 | | |
| 26 | 49-0027 | SPRING | 1 | | |
| 27 | 8-0139 | WASHER | 1 | | |
| 28 | 26-0105 | SEAL | 1 | | |
| 29 | 8-0140 | BACK-UP RING | 1 | | |
| 30 | 8-0134 | LOWER BODY | 1 | | |
| 31 | 27-8037 | BOLT | 4 | | |
| KIT | 70-0013 | UNLOADER REPAIR KIT (INC. 9, 11, 13, 14, 17, 18, 20, 22-26, 28, 29) | | | |
| KIT | 852-0015 | UNLAODER ORIFICE KIT (INC. 7, 15, 16) FOR 8-0013 | | | |
| KIT | 852-0014 | UNLAODER ORIFICE KIT (INC. 7, 15, 16) FOR 8-0012 | | | |



HDC-3005-0K6G / HDC-3005-0K6G (sn:0-99999999)

PRESSURE SWITCH



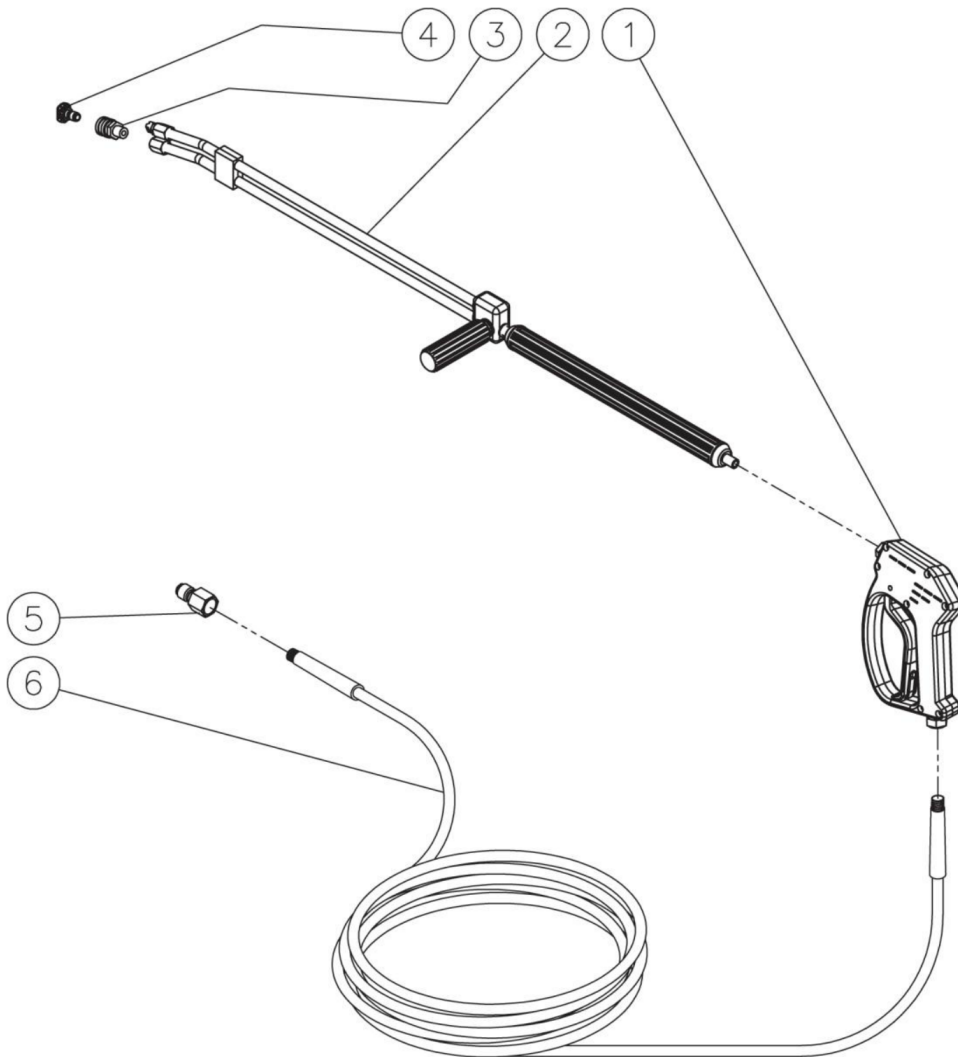
| Id | Item # | Description | Quantity | Rev | Comments |
|----|----------|----------------------------|----------|-----|----------|
| 1 | 22-0171 | PRESSURE SWITCH- 15 BAR | 1 | | |
| 1 | 22-0243 | PRESSURE SWITCH- 25 BAR | 1 | | |
| 2 | N/A | SCREW | 4 | | |
| 3 | N/A | COVER | 1 | | |
| 4 | N/A Sep. | O-RING (SEE 70-0306) | 1 | | |
| 5 | N/A | MICRO SWITCH | 1 | | |
| 6 | N/A | RETAINER CLIP | 1 | | |
| 7 | N/A | BODY | 1 | | |
| 8 | N/A Sep. | O-RING (SEE 70-0306) | 2 | | |
| 9 | N/A Sep. | BACK-UP RING (SEE 70-0306) | 1 | | |
| 10 | N/A | PISTON | 1 | | |
| 11 | N/A | WASHER | 1 | | |
| 12 | 49-0144 | SPRING- 15 BAR | 1 | | |
| 12 | 49-0145 | SPRING- 25 BAR | 1 | | |
| 13 | N/A | WASHER | 1 | | |
| 14 | N/A | PLASTIC HOUSING | 1 | | |

| Id | Item # | Description | Quantity | Rev | Comments |
|-----------|---------------|-------------------------------------|-----------------|------------|-----------------|
| 15 | N/A Sep. | O-RING (SEE 70-0306) | 1 | | |
| 16 | N/A | NUT- 15 BAR | 1 | | |
| 16 | N/A | NUT- 25 BAR | 1 | | |
| 17 | N/A | WIRE ASSEMBLY | 1 | | |
| KIT | 70-0306 | O-RING REPAIR KIT (INC. 4, 8-9, 15) | | | |



HDC-3005-0K6G / HDC-3005-0K6G (sn:0-99999999)

GUN/WAND/HOSE ASSEMBLY



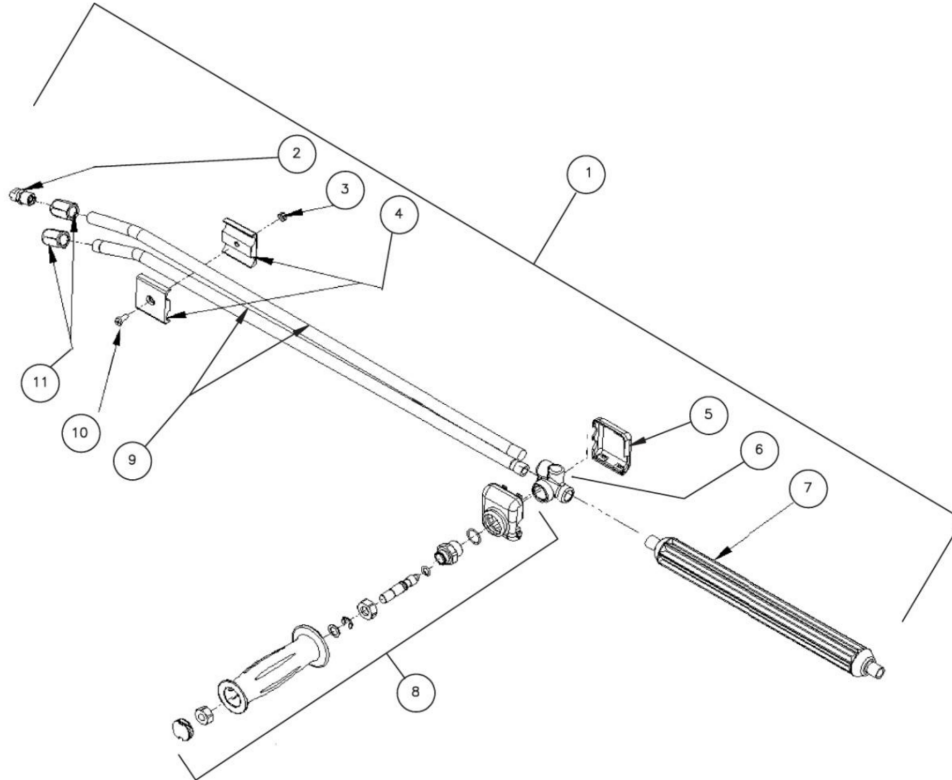
| Id | Item # | Description | Quantity | Rev | Comments |
|----|---------|-------------------------|----------|-----|----------|
| 1 | 16-0446 | GUN ASSEMBLY | 1 | | |
| 2 | 16-0417 | DUAL LANCE | 1 | | |
| 3 | 17-0028 | QUICK CONNECT SOCKET | 1 | | |
| 4 | 18-0028 | NOZZLE- 0004 (HDC-4004) | 1 | | |
| 4 | 18-0029 | NOZZLE- 1504 (HDC-4004) | 1 | | |
| 4 | 18-0030 | NOZZLE- 2504 (HDC-4004) | 1 | | |
| 4 | 18-0031 | NOZZLE- 4004 (HDC-4004) | 1 | | |
| 4 | 18-0003 | NOZZLE- 0005 (HDC-3505) | 1 | | |

| Id | Item # | Description | Quantity | Rev | Comments |
|-----------|---------------|-----------------------------|-----------------|------------|-----------------|
| 4 | 18-0004 | NOZZLE- 1505 (HDC-3505) | 1 | | |
| 4 | 18-0153 | NOZZLE- 2505 (HDC-3505) | 1 | | |
| 4 | 18-0180 | NOZZLE- 4005 (HDC-3505) | 1 | | |
| 4 | 18-0035 | NOZZLE- 0005.5 (HDC-3005) | 1 | | |
| 4 | 18-0041 | NOZZLE- 1505.5 (HDC-3005) | 1 | | |
| 4 | 18-0062 | NOZZLE- 2505.5 (HDC-3005) | 1 | | |
| 4 | 18-0132 | NOZZLE- 4005.5 (HDC-3005) | 1 | | |
| 5 | 17-0006 | QUICK CONNECT PLUG | 1 | | |
| 6 | 15-0166 | HIGH PRESSURE HOSE ASSEMBLY | 1 | | |



HDC-3005-0K6G / HDC-3005-0K6G (sn:0-99999999)

DUAL LANCE ASSEMBLY



| Id | Item # | Description | Quantity | Rev | Comments |
|----|----------|--|----------|-----|----------|
| 1 | 16-0416 | DUAL LANCE ASSEMBLY - 36" (INC. 2-11) | 1 | | |
| 1 | 16-0417 | DUAL LANCE ASSEMBLY - 48" (INC. 2-11) | 1 | | |
| 2 | 18-0110 | DETERGENT NOZZLE | 1 | | |
| 3 | 30-6001 | NUT | 1 | | |
| 4 | 16-0420 | CLAMP | 2 | | |
| 5 | N/A Sep. | LOWER VALVE COVER (SEE 16-0416 OR 16-0417) | 1 | | |
| 6 | N/A Sep. | HOUSING (SEE 16-0416 OR 16-0417) | 1 | | |
| 7 | 16-0419 | LANCE | 1 | | |
| 8 | 70-0419 | HANDLE REPAIR KIT | 1 | | |
| 9 | N/A Sep. | LANCE (SEE 16-0416) | 2 | | |
| 9 | N/A Sep. | LANCE (SEE 16-0417) | 2 | | |
| 10 | 27-8196 | SCREW | 1 | | |

| Id | Item # | Description | Quantity | Rev | Comments |
|----|---------|----------------|----------|-----|----------|
| 11 | 24-0280 | NOZZLE ADAPTER | 2 | | |