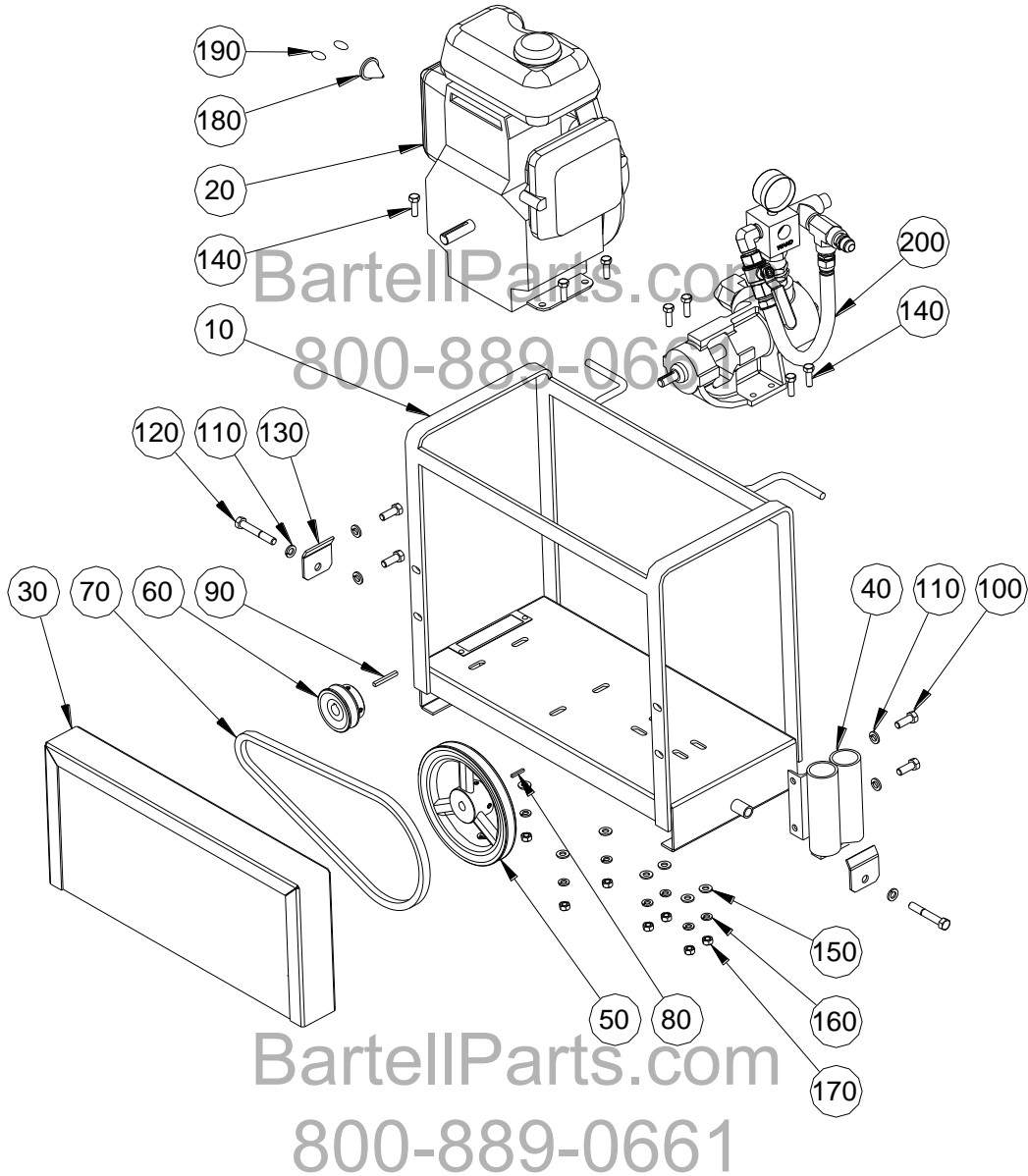
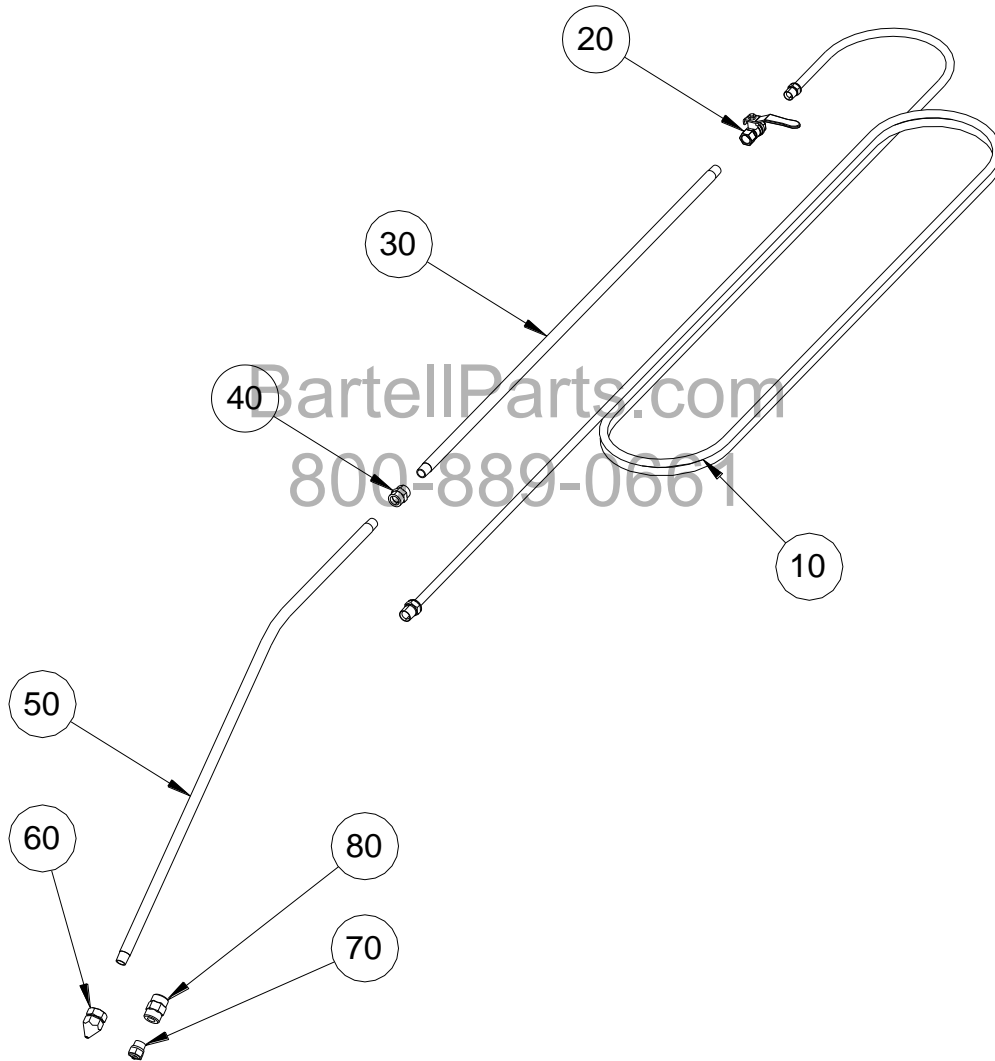


**POWER SPRAYER ASSEMBLY**  
S201



**FIGURE 1: POWER SPRAYER ASSEMBLY**

**SPRAY WAND W/ HOSE ASSEMBLY**  
**S151 / S201 SUBASSEMBLY**



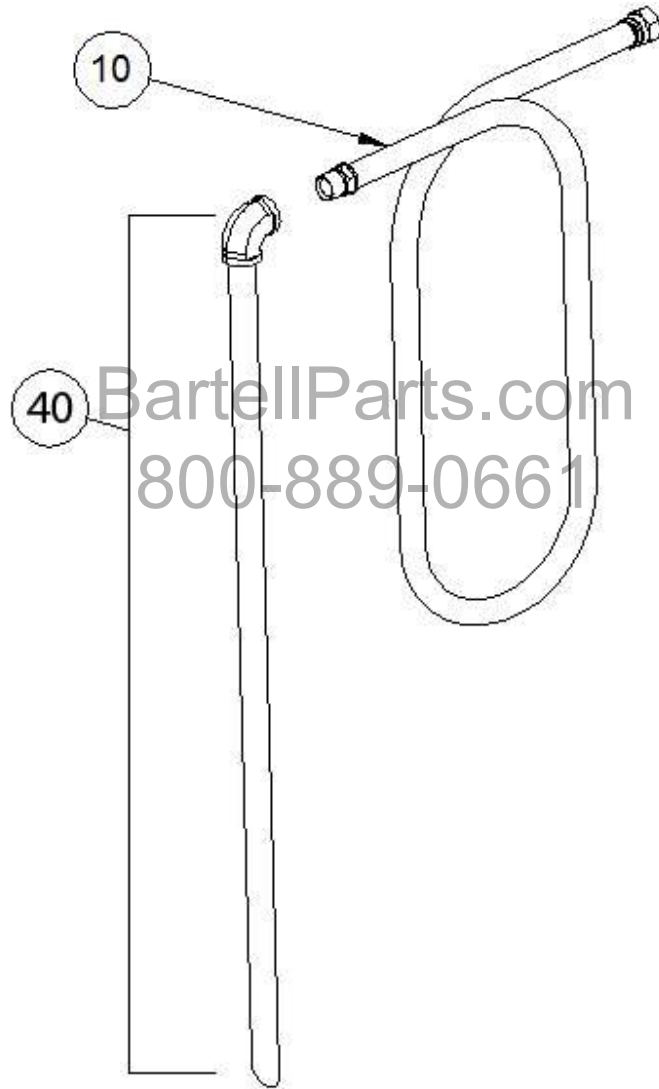
**FIGURE 5: SPRAY WAND W/ HOSE ASSEMBLY**

ITEM NO.	PART NO.	DESCRIPTION	QTY	EFFECT. DATE	NOTES
10	560070	HOSE, SPRAY WAND, 25 FT LG.	1	05-05-2008	
20	897645	BALL VALVE, 3/8" NPT, BRASS	1	05-05-2008	
30	580105	SPRAY WAND, STRAIGHT SECT.	1	05-05-2008	
40	891710	COUPLING, 3/8" FP	1	05-05-2008	
50	580110	SPRAY WAND, BENT SECTION	1	05-05-2008	
60	897565	SPRAY NOZZLE, CONE, ADJUST.	1	05-05-2008	
70	14493	NOZZLE, FLAT SPRAY	1	05-05-2008	OPTIONAL
80	14494	ADAPTER, FLAT SPRAY NOZZLE	1	05-05-2008	OPTIONAL
90	560071	HOSE, SPRAY WAND, 50 FT LG.	1	12-14-2008	OPTIONAL
100	560072	HOSE, SPRAY WAND, 75 FT LG.	1	12-14-2008	OPTIONAL
110	560073	HOSE, SPRAY WAND, 100 FT LG.	1	12-14-2008	OPTIONAL

BARTELL MORRISON INC.

BARTELL MORRISON (USA) LLC

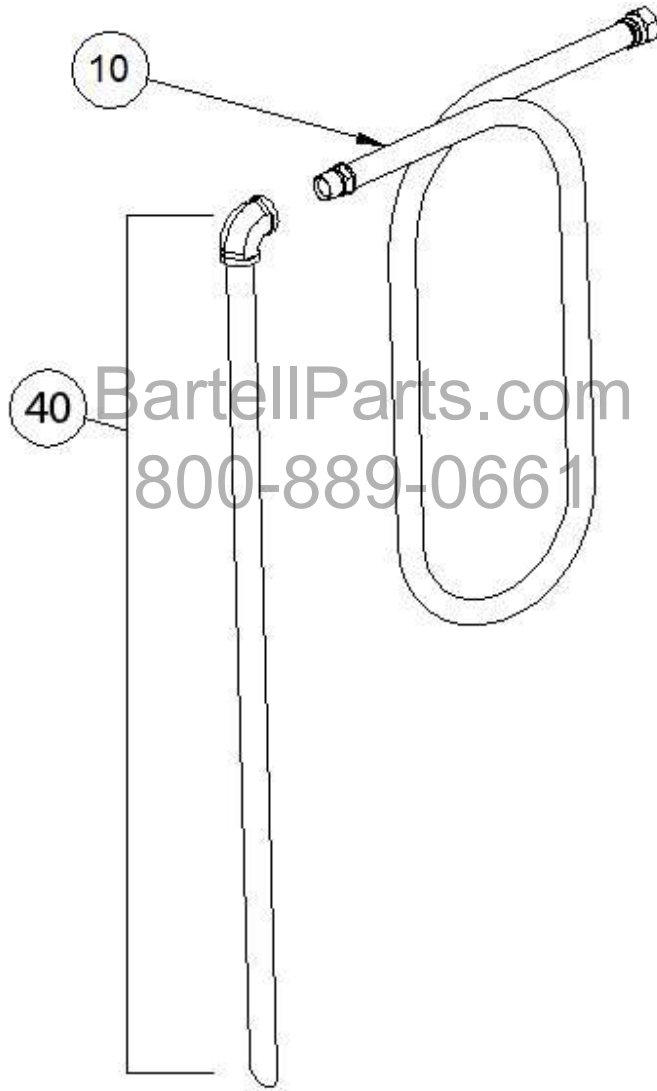
**SUCTION TUBE W/ HOSE ASSEMBLY**  
S151 / S201 SUBASSEMBLY



**FIGURE 4: SUCTION TUBE W/ HOSE ASSEMBLY**

ITEM NO.	PART NO.	DESCRIPTION	QTY	EFFECT. DATE	NOTES
10	560025	HOSE, SUCTION	1	05-05-2008	
40	897961	SUCTION TUBE	1	10-26-2012	

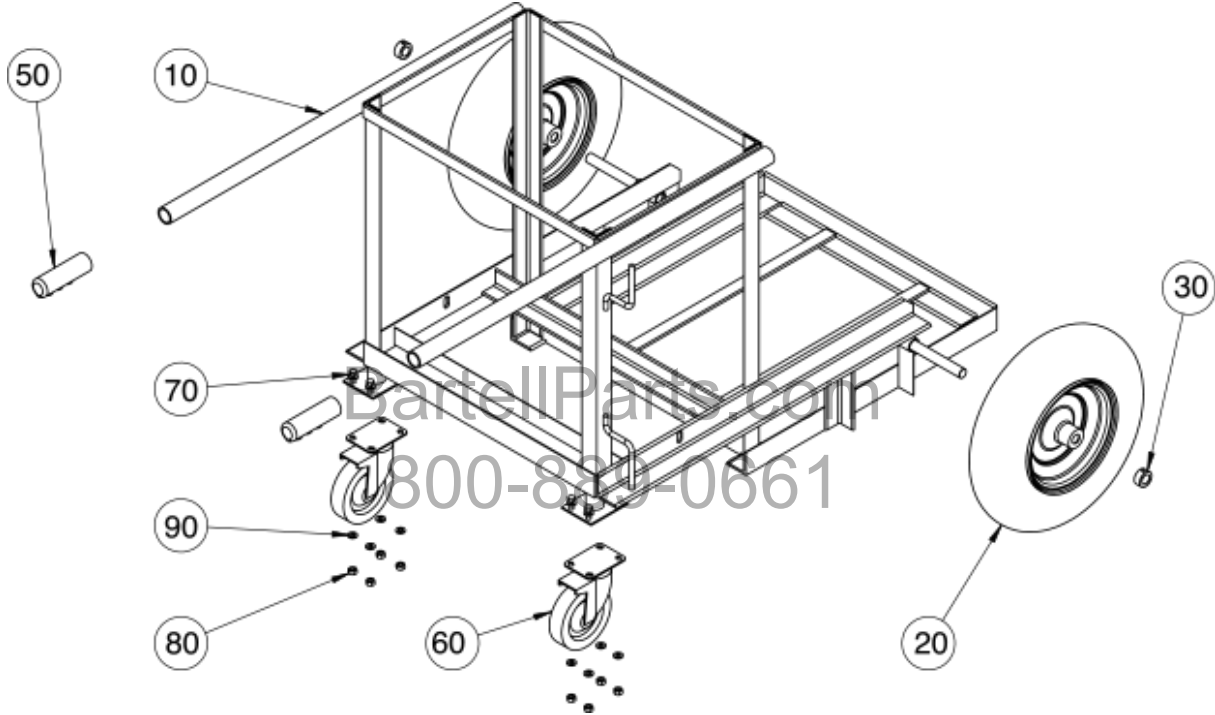
**RETURN TUBE W/ HOSE ASSEMBLY**  
**S151 / S201 SUBASSEMBLY**



**FIGURE 5: RETURN TUBE W/ HOSE ASSEMBLY.**

ITEM NO.	PART NO.	DESCRIPTION	QTY	EFFECT. DATE	NOTES
10	560030	HOSE, RETURN	1	05-05-2008	
40	897962	RETURN TUBE	1	10-26-2012	

**HAND CART ASSEMBLY**  
560060

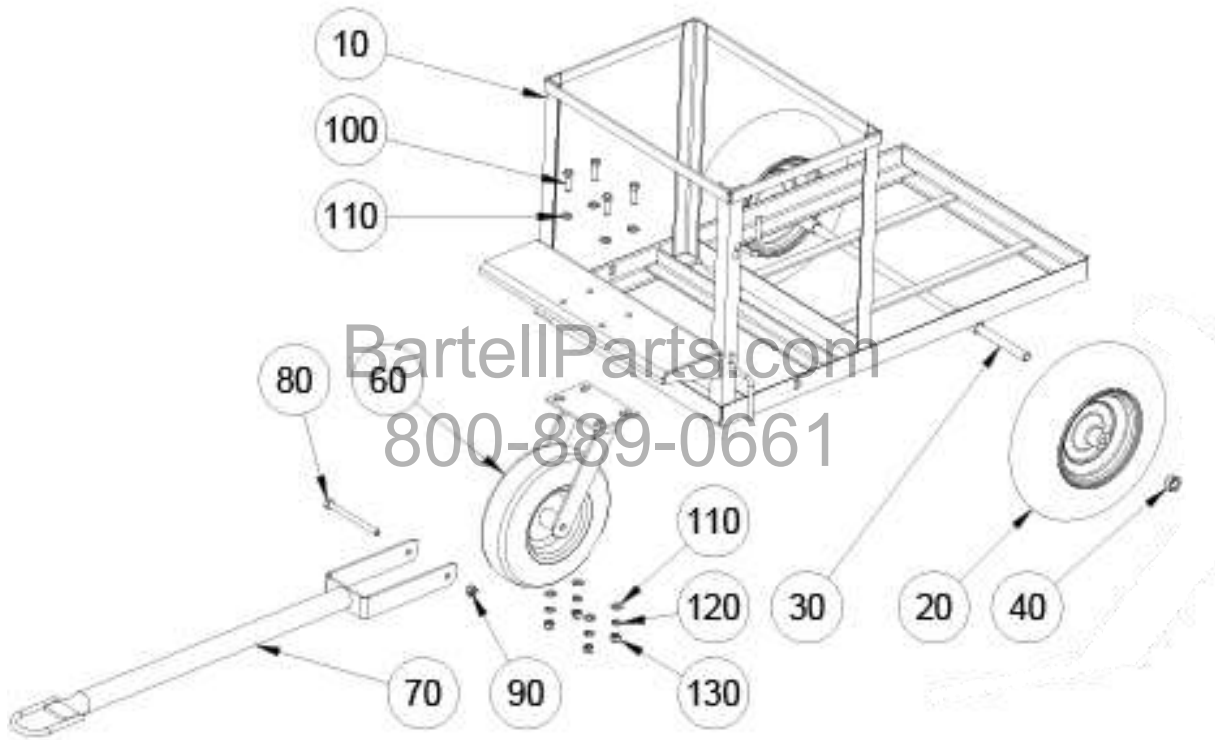


**FIGURE 6: HAND CART ASSEMBLY**

ITEM NO.	PART NO.	DESCRIPTION	QTY	EFFECT. DATE	NOTES
10	570030	HAND CART FRAME	1	05-05-2008	
20	13198	WHEEL, 16" PNEUMATIC	2	05-05-2008	
30	796065	LOCK COLLAR, WHEEL	2	05-05-2008	
50	796030	GRIP, HANDLE	2	05-05-2008	
60	570031	CASTER	2	07-15-2008	
70	981030	HHCS, 5/16-24 X 1" LG	8	07-15-2008	
80	11586	WASHER, FLAT, 5/16"	16	07-15-2008	
90	980360	LOCKNUT, 5/16-24, NYLON INSERT	8	07-15-2008	

BartellParts.com  
800-889-0661

**TOW CART ASSEMBLY**  
560065



**FIGURE 7: TOW CART ASSEMBLY**

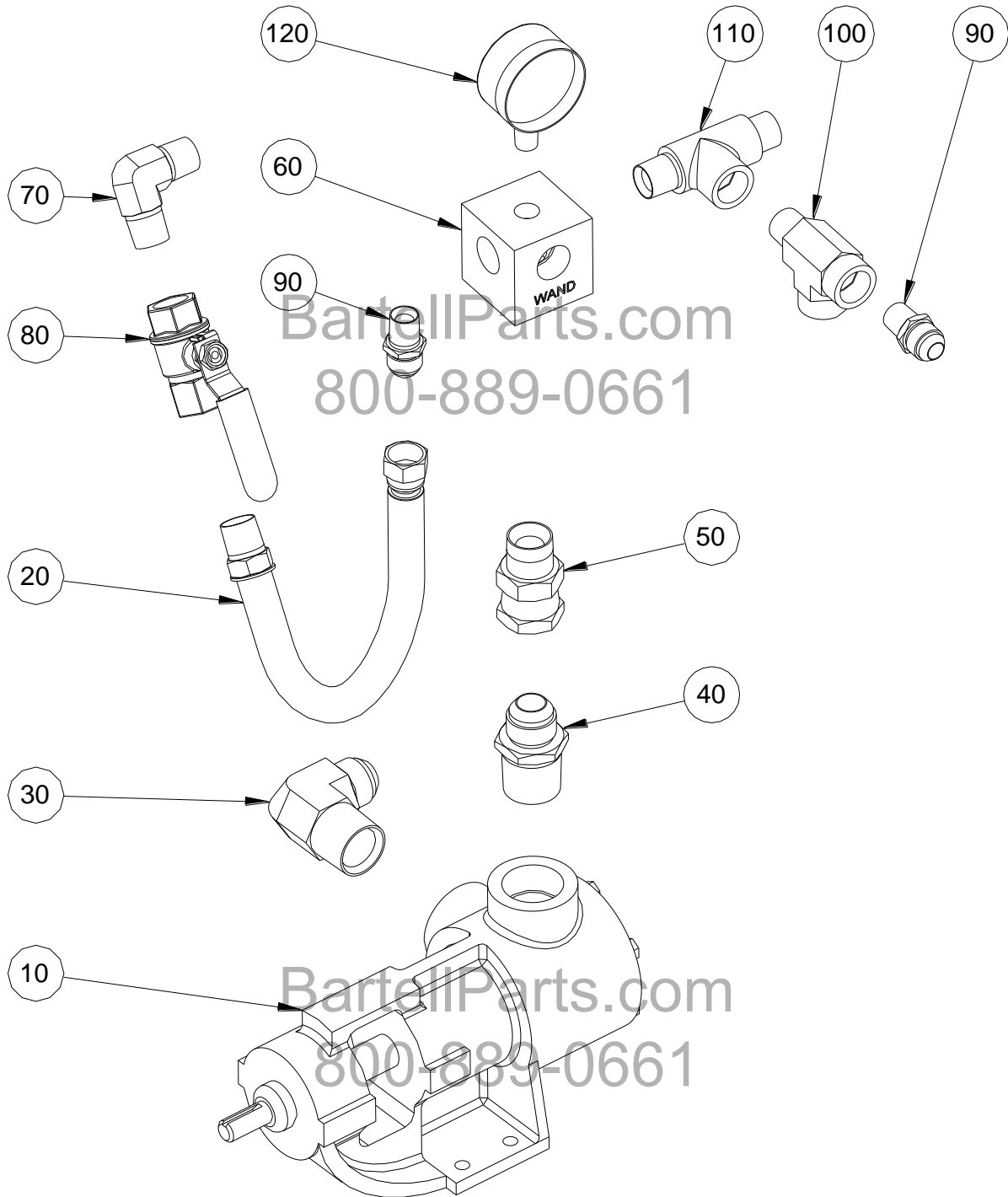
ITEM NO.	PART NO.	DESCRIPTION	QTY	EFFECT. DATE	NOTES
10	570035	FRAME, TOW CART	1	05-05-2008	
20	13198	WHEEL, 16" PNEUMATIC	2	05-05-2008	
30	580268	AXLE, HAND CART	1	05-05-2008	
40	796065	LOCK COLLAR, WHEEL	2	05-05-2008	
60	842035	FRONT WHEEL W/ CASTOR	1	05-05-2008	
70	570040	TOW BAR	1	05-05-2008	
80	13637	AXLE BOLT	1	05-05-2008	
90	13577	AXLE NUT	1	05-05-2008	
100	981050	HHCS, 7/16"-20 X 1-1/2" LG.	4	05-05-2008	
110	12930	WASHER, FLAT, 7/16"	8	05-05-2008	
120	990870	WASHER, LOCK, 7/16"	4	05-05-2008	
130	981060	NUT, HEX, 7/16"-20	4	05-05-2008	

**POWER SPRAYER ASSEMBLY**  
S201

ITEM NO.	PART NO.	DESCRIPTION	QTY	EFFECT. DATE	NOTES
10	570012	FRAME, POWER SPRAYER	1	05-05-2008	
20	21340	ENGINE, HONDA GX120	1	09-03-2009	
30	570027	BELT GUARD, SPRAYER	1	12-07-2010	
40	570017	SUPPORT TUBES	1	12-07-2010	
50	580090	PULLEY W/ KEYWAY, LARGE	1	05-05-2008	
60	50098	PULLEY W/ KEYWAY, SMALL	1	09-03-2009	
70	740472	V-BELT	1	05-05-2008	
80	580085	KEY, PUMP	1	05-05-2008	
90	470625	KEY, ENGINE	1	05-05-2008	
100	10507	HHCS, 3/16"-16 X 1" LG.	4	05-05-2008	
110	10902	WASHER, LOCK, 3/16"	6	05-05-2008	
120	10506	HHCS, 3/16"-16 X 2-1/2" LG.	2	05-05-2008	
130	580075	TAB, HOLD DOWN	2	05-05-2008	
140	981035	HHCS, 5/16"-24 X 1" LG.	8	05-05-2008	
150	11586	WASHER, FLAT, 5/16"	8	05-05-2008	
160	10402	WASHER, LOCK, 5/16"	8	05-05-2008	
170	981055	NUT, HEX, 5/16"-24	8	05-05-2008	
180	11112	MUFFLER CAP	1	09-03-2009	
190	11115	SCREW, MUFFLER CAP	2	09-03-2009	
200	N/A	PUMP SUBASSEMBLY, SEE PG. 6	1	05-05-2008	SEE PG. 6

BartellParts.com  
800-889-0661

**POWER SPRAYER PUMP ASSEMBLY  
S201 SUBASSEMBLY**



**FIGURE 2: PUMP SECTION SUBASSEMBLY**

**POWER SPRAYER PUMP ASSEMBLY**  
**S201 SUBASSEMBLY**

ITEM NO.	PART NO.	DESCRIPTION	QTY	EFFECT. DATE	NOTES
10	760100	PUMP ASSEMBLY, VIKING	1	05-05-2008	
20	560035	HOSE, BYPASS	1	05-05-2008	
30	897311	ELBOW, 3/4" MT TO 1" MP	1	05-05-2008	
40	897310	FITTING, 3/4" MT TO 1" MP	1	05-05-2008	
50	897530	FITTING, SWIVEL, 3/4"MP TO 3/4"FT	1	05-05-2008	
60	580080	MANIFOLD, VALVE BLOCK	1	05-05-2008	
70	897745	ELBOW, 1/2" MP TO 1/2" MP	1	05-05-2008	
80	897765	BALL VALVE, 1/2" MP BRASS	1	05-05-2008	
90	897220	FITTING, 1/2" MT TO 1/2" MP	2	05-05-2008	
100	897445	RUN TEE, 1/2" MP TO 1/2" FP	1	05-05-2008	
110	897760	RELIEF VALVE, ADJUSTABLE	1	05-05-2008	
120	897820	GAUGE, 1/4" NPT, 200PSI	1	05-05-2008	
---	108760	REPAIR KIT	1	05-05-2008	

BartellParts.com  
800-889-0661