



Illustrated Parts Breakdown

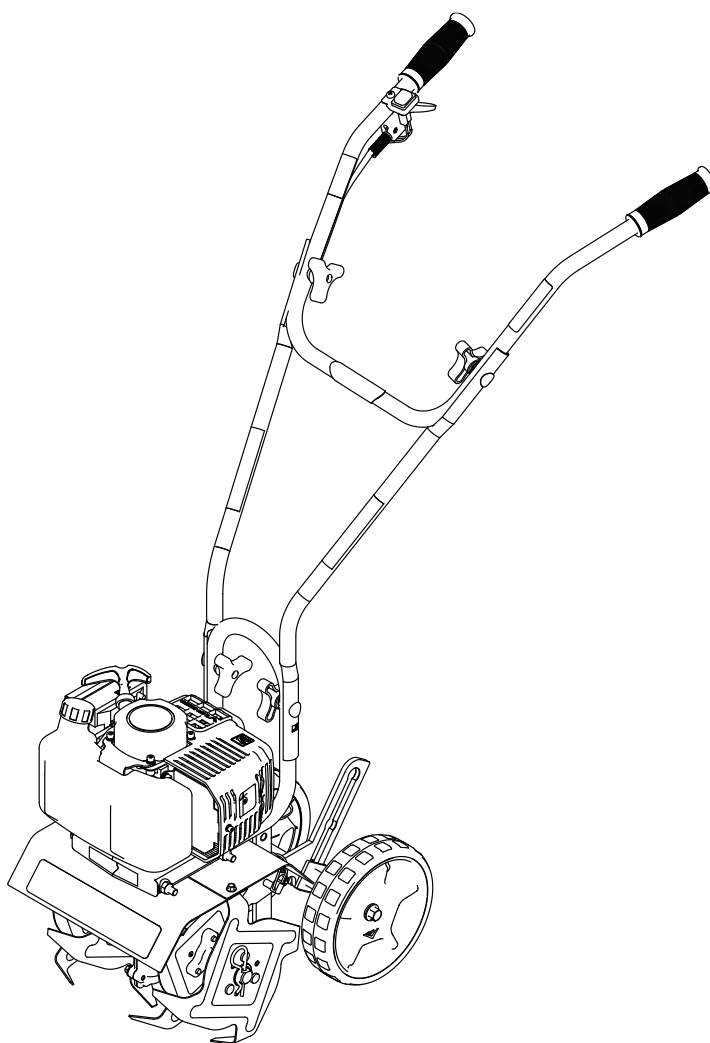
**MC33**  
2-Cycle Cultivator

**Model #: 31635**

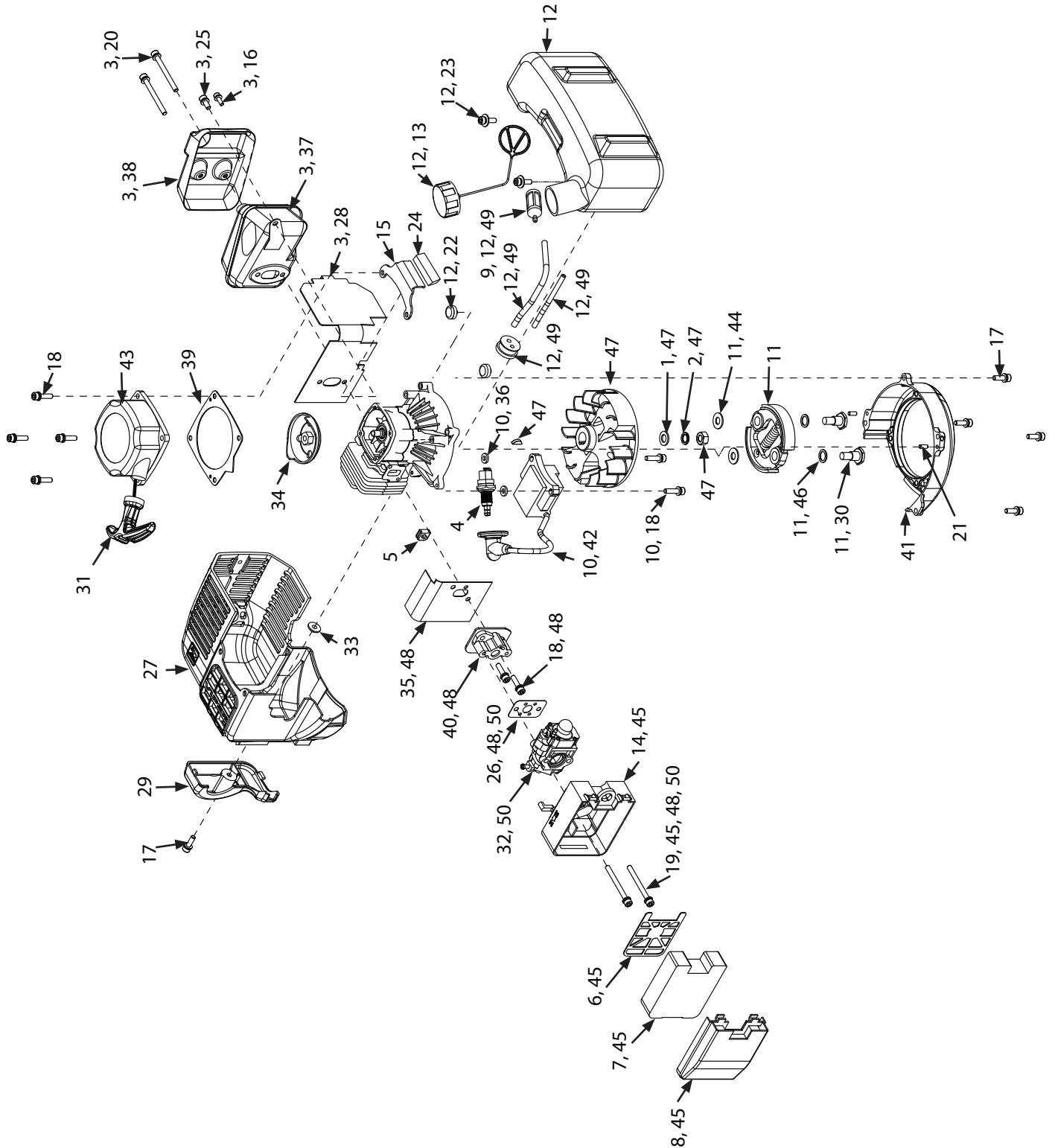
ENGLISH

FRENCH

S/N



## ILLUSTRATED PARTS BREAKDOWN: Engine Assembly



**ILLUSTRATED PARTS LIST: Handlebar Assembly**

ITEM #	PART #	DESCRIPTION	QTY
N.º DE ELEMENTO	N.º DE PIEZA	DESCRIPCIÓN	CANT.
1	20143	WASHER M8 X 1.6 X 1.5 MM	1
2	21640	WASHER M8 X 1.95 X 1.6 MM	1
3	31852	KIT MUFFLER	1
4	26102	SPARK PLUG L8RTC	1
5	26103	GROMMET SPARK PLUG	1
6	26114	AIR FILTER FRAME	1
7	26116	AIR FILTER BLOCK FOAM	1
8	26119	AIR FILTER COVER	1
9	26122	FUEL FILTER	1
10	31860	KIT IGNITION COIL	1
11	31856	KIT CLUTCH	1
12	31854	KIT GAS TANK	1
13	26128	GAS CAP	1
14	26138	AIR FILTER BASE ASSY	1
15	31835	GAS TANK BRACKET MOUNT	1
16	26202	BOLT M4 X 12 MM	1
17	26205	BOLT M5 X 16 MM	5
18	26207	BOLT M5 X 20 MM	8
19	26209	BOLT M5 X 55 MM	2
20	26210	BOLT M5 X 55 MM BLK OX	2
21	26212	STUD 4 X 8 MM	2
22	26215	SPACER 15 X 10 MM	2
23	23227	BOLT M5 X 16 MM	2
24	26121	BOOT FUEL TANK MOUNT	1
25	26867	BOLT M5 X 12 MM	1
26	31842	CARB GASKET	1
27	31796	ENGINE SHROUD	1
28	31797	MUFFLER HEAT SHIELD	1
29	31798	CAP ENGINE SHROUD	1
30	31799	BOLT M8 X 21.5 MM BLK OX	2
31	31800	RECOIL HANDLE	1
32	31801	CARBURETOR	1
33	31802	SPACER CAP ENGINE SHROUD	1
34	31806	RECOIL DRUM	1
35	31807	GASKET INTAKE	1
36	31808	SPACER IGNITION COIL	2

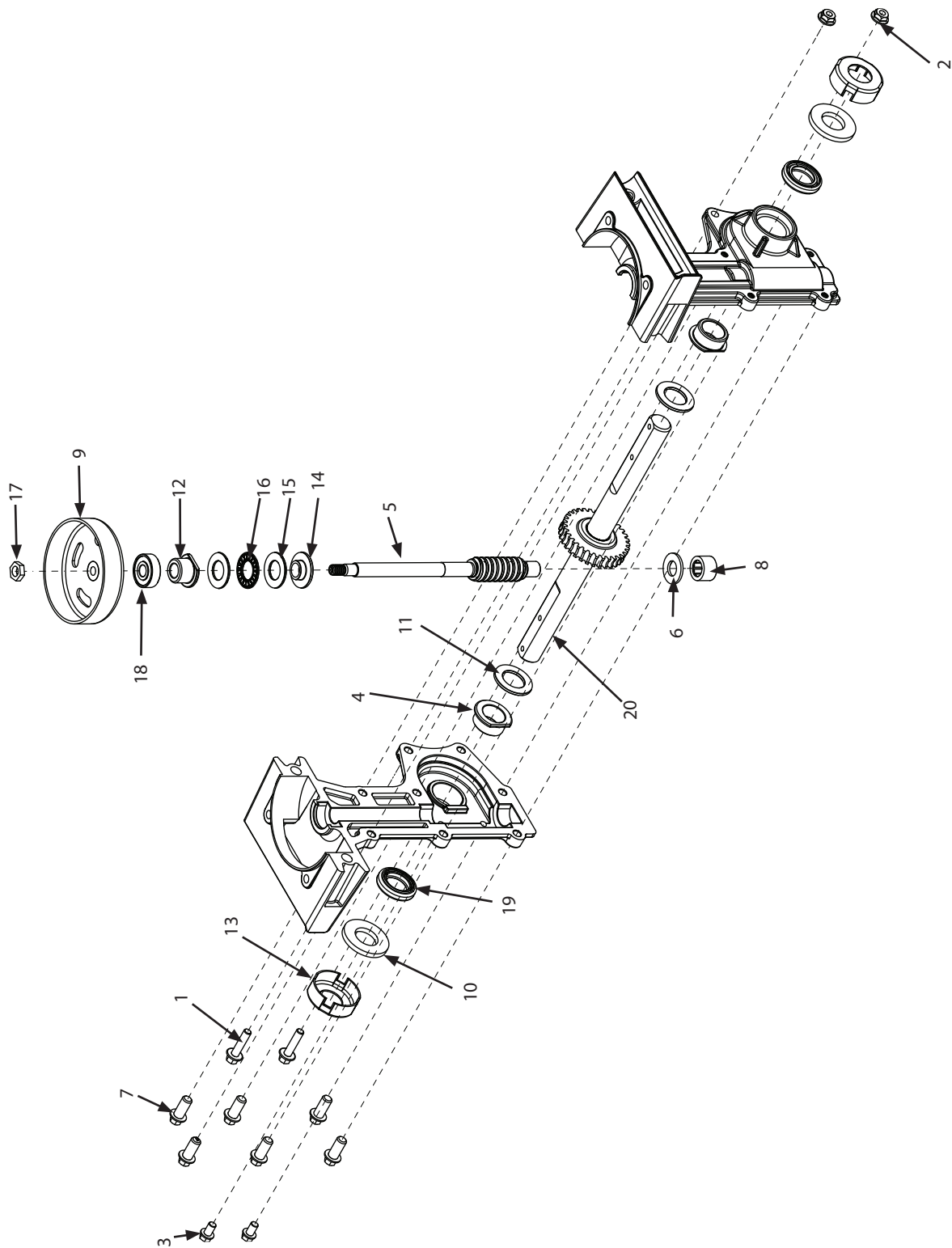
ITEM #	PART #	DESCRIPTION	QTY
N.º DE ELEMENTO	N.º DE PIEZA	DESCRIPCIÓN	CANT.
37	31810	MUFFLER	1
38	31811	COVER MUFFLER	1
39	31843	RECOIL SPACER	1
40	31821	WINDPIPE INTAKE	1
41	31822	SHROUD FLYWHEEL	1
42	31823	IGNITION COIL	1
43	31826	RECOIL ASSY	1
44	31827	WASHER M8 X 18 X 1.2 MM	2
45	31853	KIT AIR CLEANER	1
46	31831	WASHER WAVE 11 ID X 15 OD	2
47	31834	KIT FLYWHEEL	1
48	31866	KIT INTAKE MANIFOLD	1
49	27131	KIT FUEL LINE	1
50	31851	KIT CARBURETOR	1



**ILLUSTRATED PARTS LIST: Hood & Tines Assembly**

ITEM #	PART #	DESCRIPTION	QTY
N.º DE ELEMENTO	N.º DE PIEZA	DESCRIPCIÓN	CANT.
1	30671	WHEEL 180 X 38 MM	2
2	4652	COTTER PIN 5/8 X 3/4 IN	2
3	4604	TINE "D" ASSEMBLY	1
4	4602	TINE "C" ASSEMBLY	1
5	31569	BOLT M8 X 1.25 X 160 HEX HEAD	2
6	31560	WASHER M8 CURVED	4
7	31464	ENGINE 33CC VIPER	1
8	26794	HANDLEBAR LOWER BLACK	1
9	400023	NUT M8 NYLOCK	2
10	4603	TINE "B" ASSEMBLY	1
11	4601	TINE "A" ASSEMBLY	1
12	31544	TRANSMISSION ASSEMBLY	1
13	176	BOLT M5 X 0.8 X 10 HEX FLANGE	2
14	31603	TINE SHIELD FRONT	2
15	400020	NUT M5 X 0.8 NYLOCK FLANGE	2
16	25188	BOLT M5 X 0.8 X 40 HEX FLANGE	4
17	32219	TINE SHIELD BACK	1
18	4600	DRAG STAKE	1
19	31657	WHEEL AND DRAG STAKE MOUNT	1
20	4687	BOLT M10 X 1.5 X 231	1
21	18039	PIN LOCK 8 X 40 MM	1
22	4673	WHEEL HOLDER	1
23	4685	WHEEL SPRING	
24	13230	WASHER 21 X 16 X 1 MM	1
25	4684	WHEEL LOCK	1
26	4674	WHEEL AXLE	
27	4678	WHEEL GUIDE	1
28	2431	WASHER M10	2
29	4629	NUT M10 X 1.5 CENTER LOCK HEX	1
30	14109	NUT M6 X 1.0	4
31	25058	BOLT M6 X 1.0 X 2	2
32	30148	BOLT M6 X 1.0 X 30	2

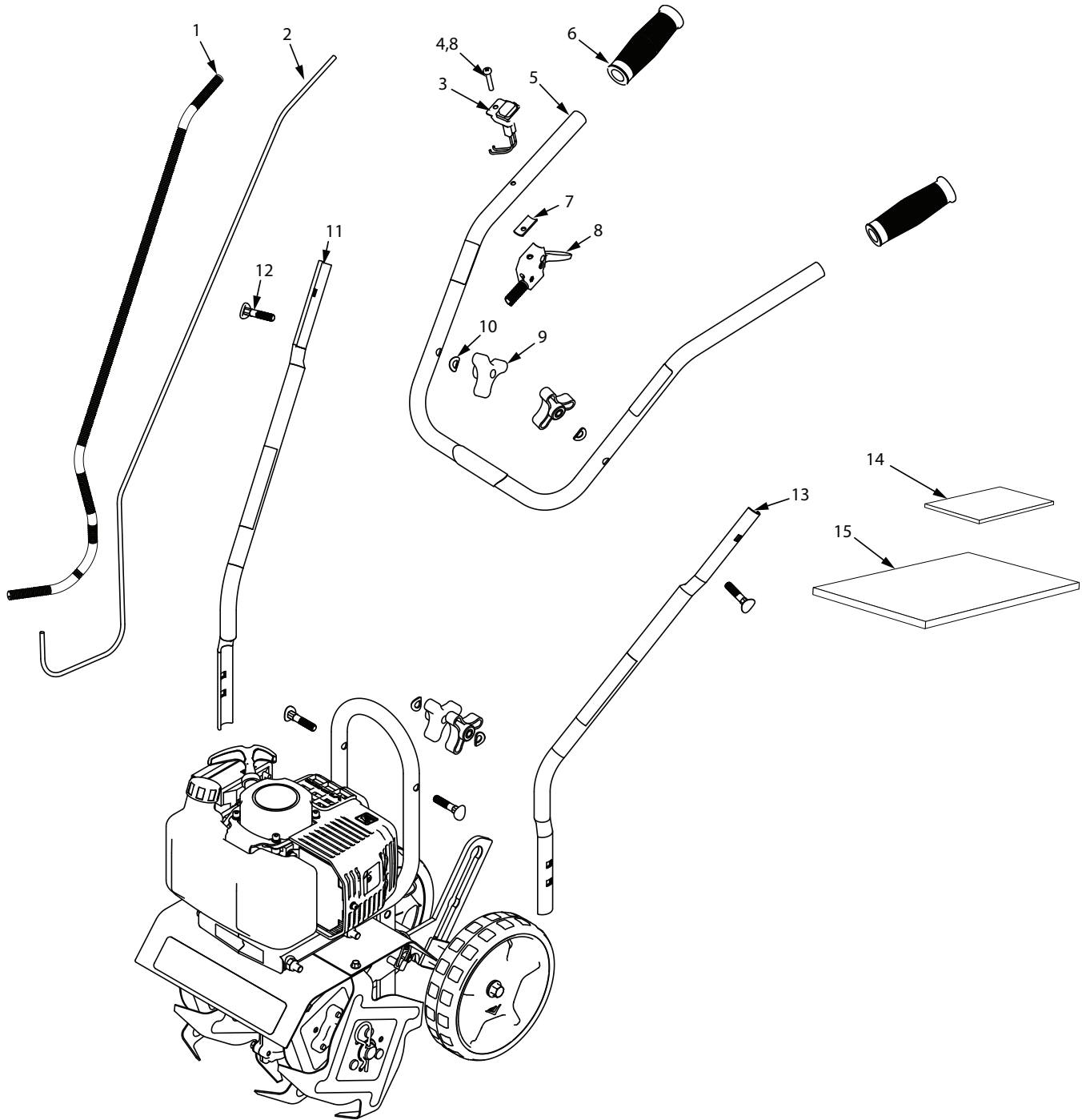
ILLUSTRATED PARTS BREAKDOWN: Transmission Assembly



**ILLUSTRATED PARTS LIST: Transmission Assembly**

ITEM #	PART #	DESCRIPTION	QTY
N.º DE ELEMENTO	N.º DE PIEZA	DESCRIPCIÓN	CANT.
1	13600	BOLT M6 X 25 MM GR8.8	2
2	14106	NUT M6	2
3	6263	BOLT M6 X 10	2
4	25159	BUSHING M19 ID X 25.5 OD	2
5	32015	WORM GEAR AND SHAFT	1
6	32016	SPACER BEARING 24 X 12 X 2 MM	1
7	32053	BOLT M6 X 18 MM GR8.8	6
8	32055	NEEDLE ROLLER BEARING 19 OD X 13 ID X 12	1
9	32077	CLUTCH DRUM ASSY 78 ID	1
10	4606	WASHER FIBER 19 X 38 X 4 MM	2
11	4610	SHIM TINE SHAFT 32 X 19 X 2.2 MM	2
12	4614	BUSHING M11 ID X 19 OD	1
13	46144	DUST CAP	2
14	4617	BEARING THRUST REDUCER M11 X 15 OD	1
15	4618	WASHER 15 X 28 X 1.5 MM	2
16	4619	BEARING THRUST 28 X 15 X 2 MM	1
17	4620	NUT M8	1
18	4623	BEARING BALL 9 X 26 MM DOUBLE SEALED	1
19	4646	SEAL SHAFT 19 MM	2
20	4651	SHAFT TINE ASSY	1

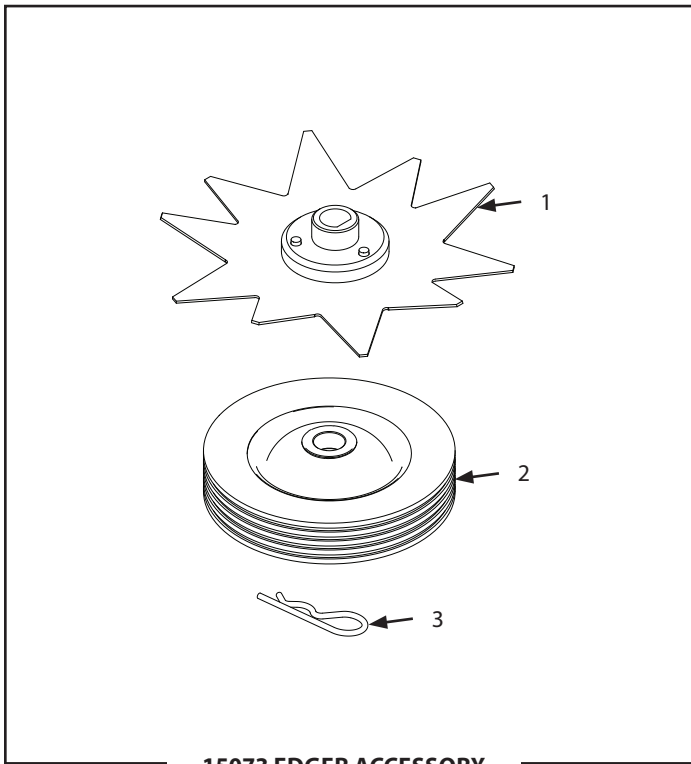
ILLUSTRATED PARTS BREAKDOWN: Handlebar Assembly



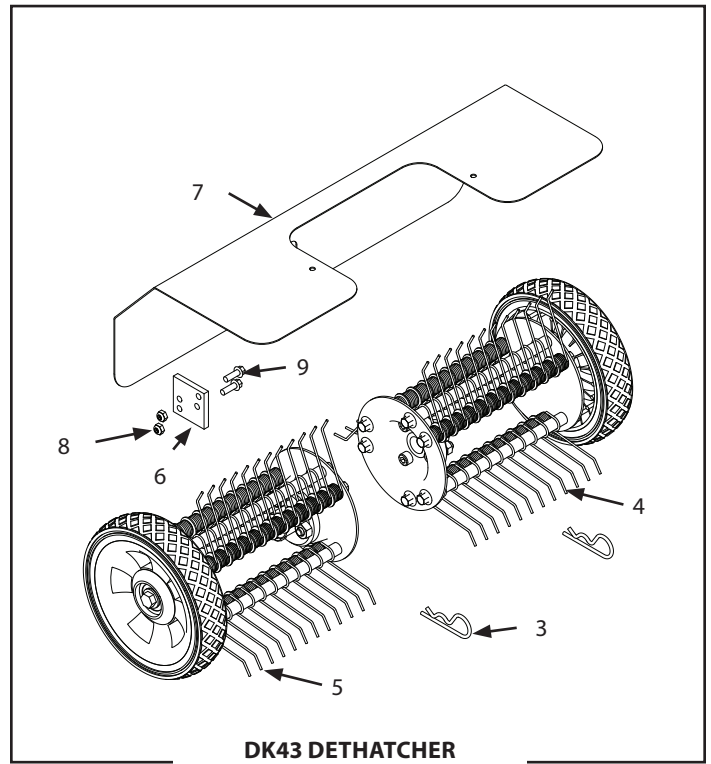
**ILLUSTRATED PARTS LIST: Handlebar Assembly**

ITEM #	PART #	DESCRIPTION	QTY
N.º DE ELEMENTO	N.º DE PIEZA	DESCRIPCIÓN	CANT.
1	25440	SLEEVE CABLE PROTECTION	1
2	14645	THROTTLE CABLE SWIVEL FERRULE	1
3	26166	ON/OFF SWITCH ASSEMBLY	1
4	10888	BOLT M5 X 0.8 X 30 MM PHILLIPS	1
5	27136	KIT HANDLEBAR UPPER WITH WARNINGS	1
6	4639	HANDLEBAR GRIP 19.5 X 110 MM	2
7	12633	RUBBER PAD 15 X 29 MM	1
8	25988	KIT TRIGGER LONG THROW ASSEMBLY	1
9	25622	KNOB M8 X 1.25 THREE ARM BLACK	4
10	31560	WASHER M8 CURVED	4
11	24883	HANDLEBAR MIDDLE RIGHT BLACK	1
12	31565	BOLT M8 X 1.25 X 35 SADDLE HEAD	4
13	24884	HANDLEBAR MIDDLE LEFT BLACK	1
14	31566	PARTS BAG HARDWARE	1
15	31659	PARTS BAG MANUAL	1

ILLUSTRATED PARTS BREAKDOWN: Optional Accessories



15073 EDGER ACCESSORY



DK43 DETHATCHER  
ACCESSORY

ITEM #	PART #	DESCRIPTION	QTY
N.º DE ELEMENTO	N.º DE PIEZA	DESCRIPCIÓN	CANT.
1	15009	BORDER EDGER TINE	1
2	46131	BORDER EDGER WHEEL	1
3	46134	HAIRPIN	3
4	4707	DETHATCHER ASSY LEFT	1
5	4708	DETHATCHER ASSY RIGHT	1
6	4676	EXTENSION PLATE	1
7	4710	DETHATCHER SHIELD	1
8	4650	NUT M6 NYLOCK	2
9	4647	BOLT M6 X 1 X 18 MM HEX	2