

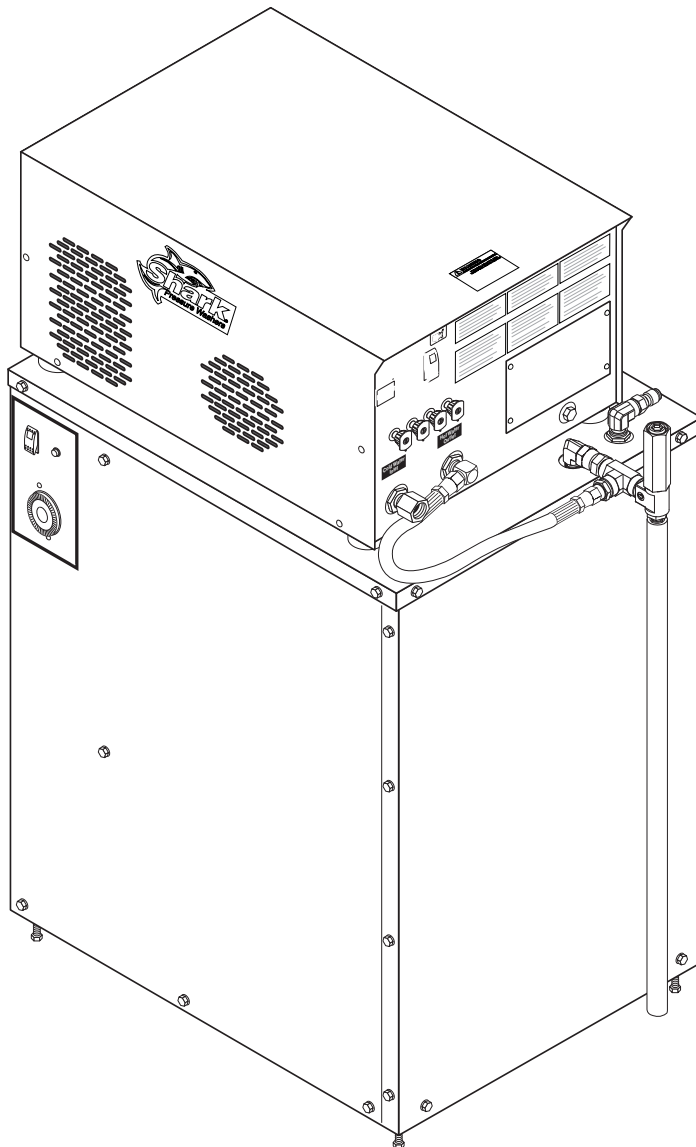
EEC

Hot water - Electric Powered



Service Manual

Pressure Washer



MODELS: EEC-422007C
 1.106-068.0

 EEC-353007C
 1.106-069.0

 EEC-422007F
 1.109-960.0

 EEC-353007F
 1.109-961.0

WARNING:

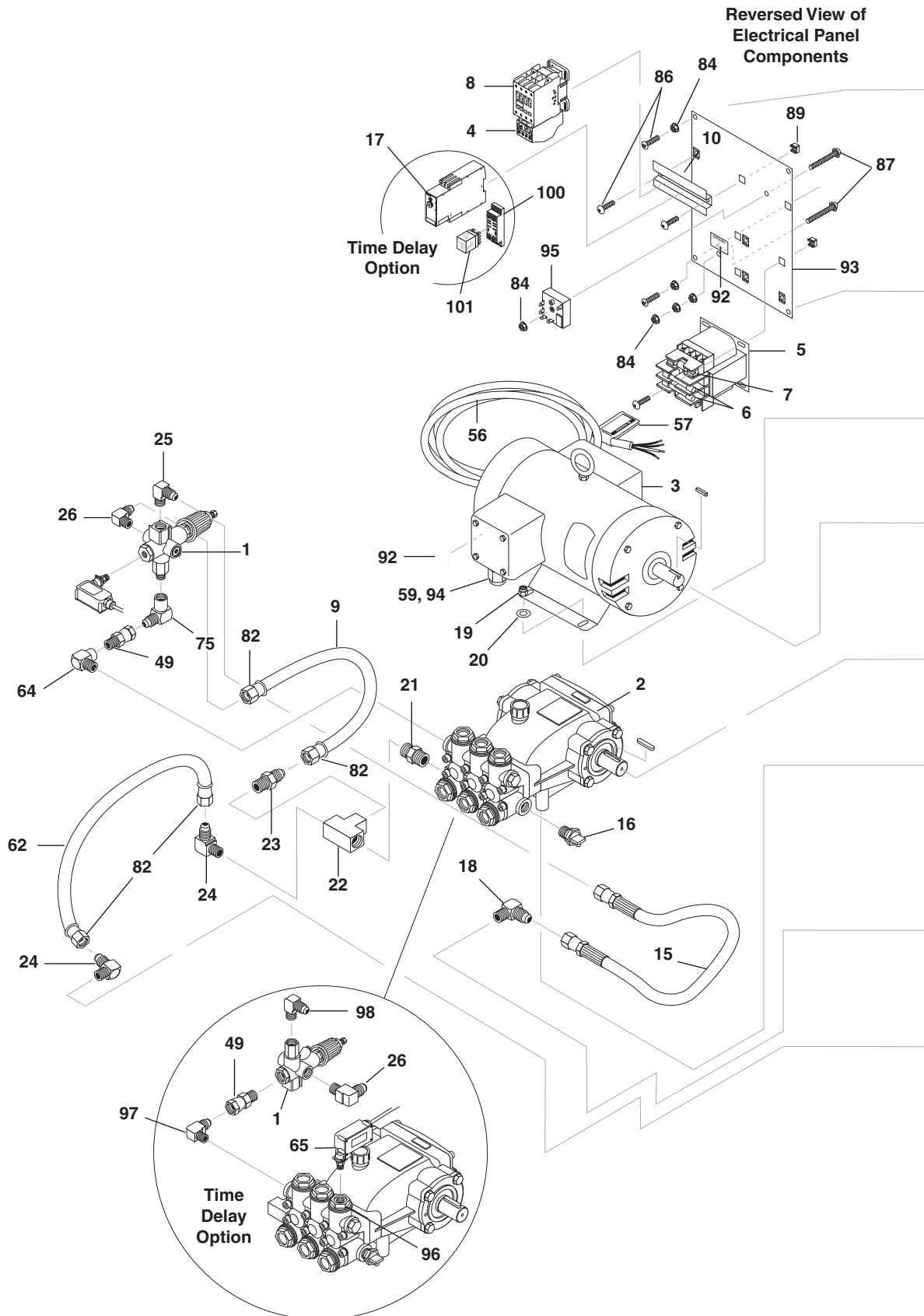
This product and accessories may contain a chemical known to the State of California to cause cancer and birth defects or other reproductive harm.

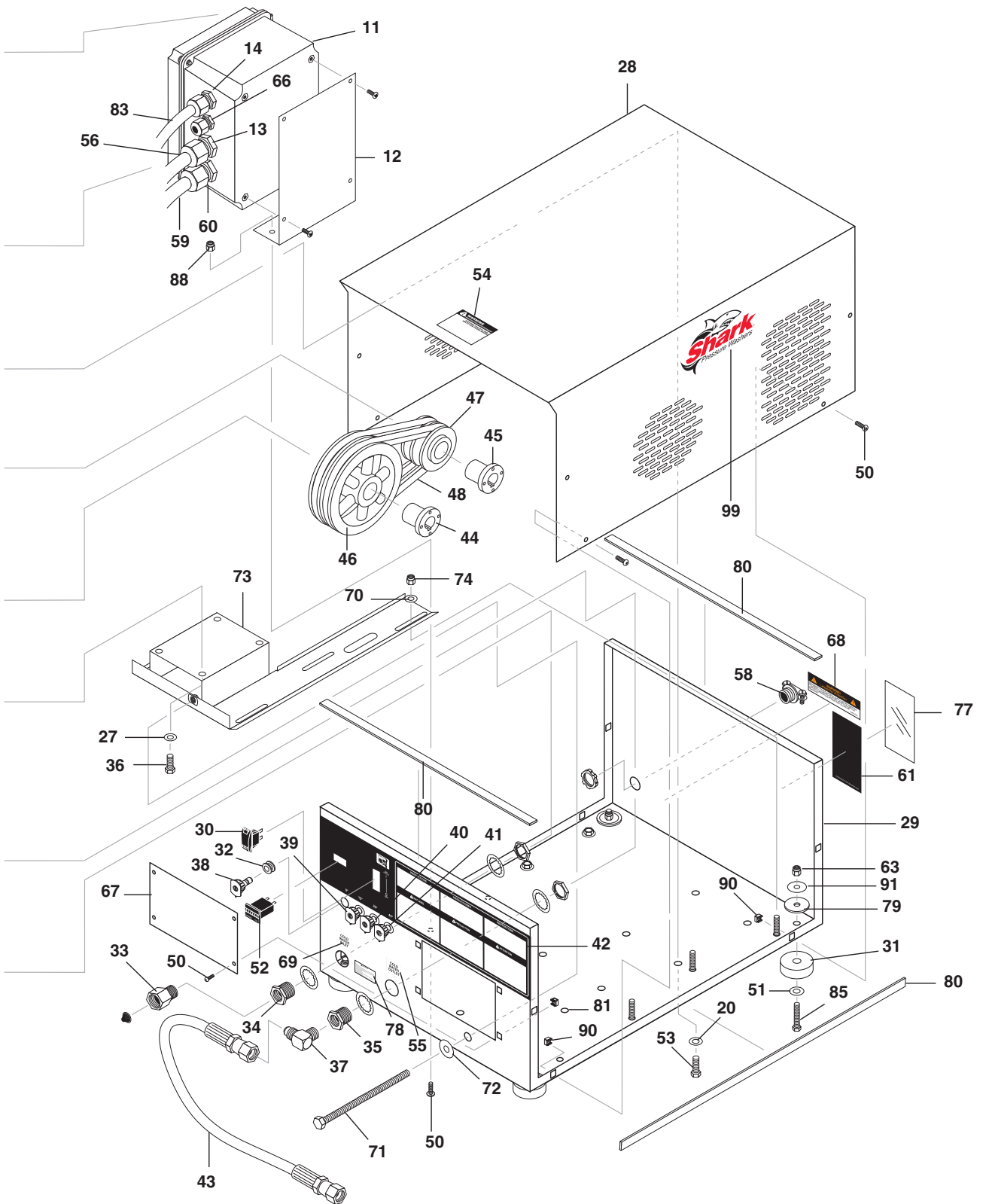


For more information about this regulation: www.P65Warnings.ca.gov



9.801-297.0-R 04/17/18

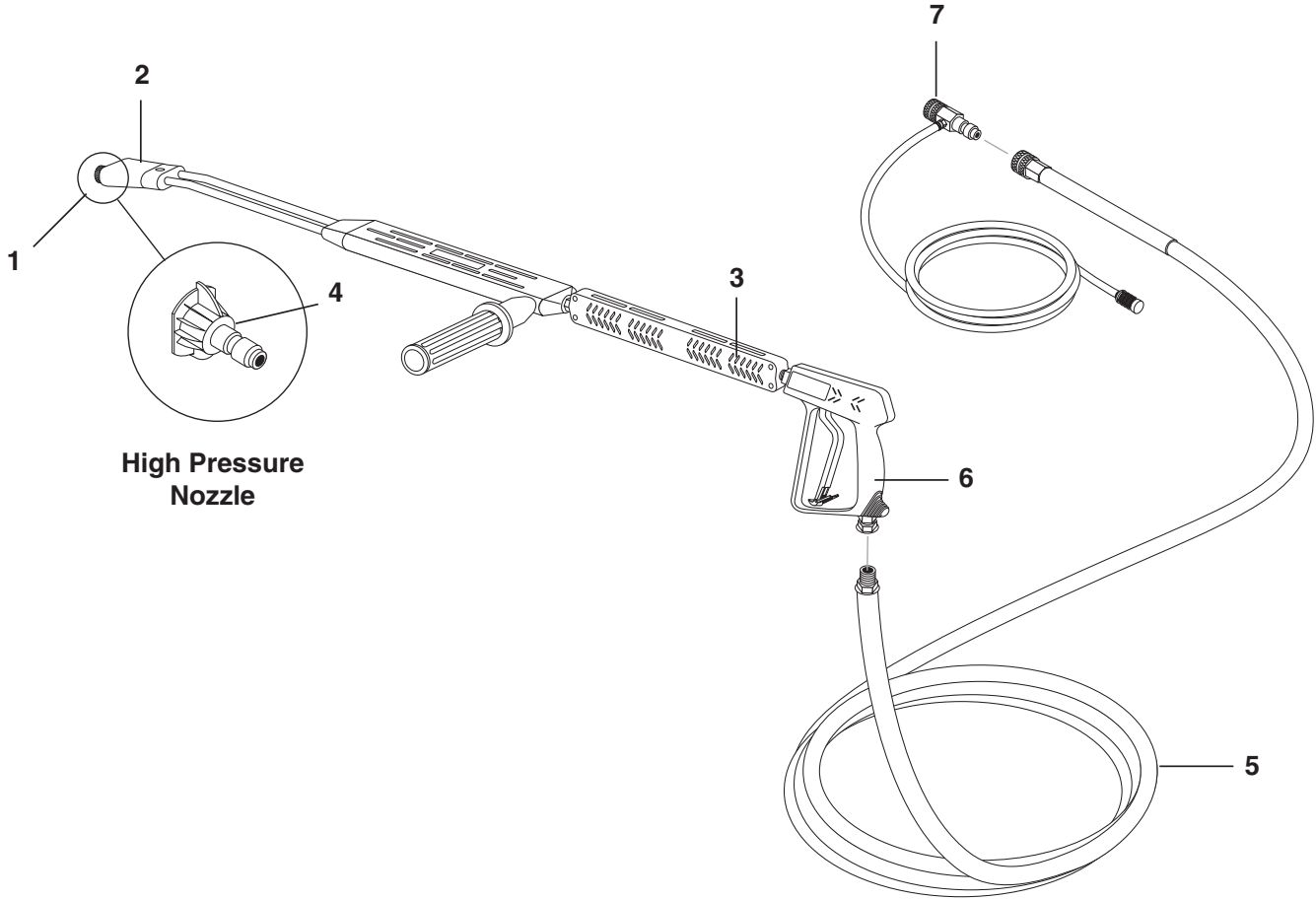




REF	PART NO.	QTY	DESCRIPTION	NOTES
1	9.802-362.0	1	UNLOADER, PA 8GPM@3650 PSI, VB8 W/ SWITCH	
-	8.750-299.0	1	UNLOADER,VRT3, 8 GPM @ 4500 PSI,	(TIME DELAY OPTION)
2	-	-	PUMP	SEE SPEC PAGE
3	-	-	MOTOR	SEE SPEC PAGE
4	-	-	OVERLOAD	SEE SPEC PAGE
5	-	-	TRANSFORMER	SEE SPEC PAGE
6	-	-	FUSE	SEE SPEC PAGE 24
7	-	-	FUSE	SEE SPEC PAGE
8	-	-	CONTACTOR	SEE SPEC PAGE
9	9.802-259.0	18"	HOSE, 1/2" PUSH ON	
10	9.802-457.0	4"	DIN RAIL, 35MM	
-	-	6"	DIN RAIL, 35MM	(TIME DELAY OPTION)
11	9.802-476.0	1	BOX, PLASTIC, 10" X 8" X 6" W/LID	
12	9.803-038.0	1	BRACKET, SUPPORT FOR ELEC BOX	
13	9.802-518.0	1	STRAIN RELIEF, 3/4" LQ TITE	
-	9.802-526.0	1	LOCKNUT, 3/4"	NOT SHOWN
14	9.802-515.0	1	STRAIN RELIEF, STRT, LQ TITE, MED	
-	9.802-524.0	1	LOCKNUT, 1/2" CONDUIT	NOT SHOWN
15	8.918-424.0	1	HOSE 3/8" X 25", 2 WIRE, PRESSURE LO	
16	9.803-670.0	1	PUMP PROTECTOR, 1/2, 190°	
17	8.751-306.0	1	TIMER, MULTI-FUNCTION	(TIME DELAY OPTION)
18	9.802-039.0	1	ELBOW, 1/2" JIC, 3/8", 90°, STEEL	
19	9.802-779.0	4	NUT, 3/8" ESNA	
20	9.802-807.0	8	WASHER, 3/8", SAE, FLAT	
21	8.706-797.0	1	NIPPLE, 1/2" HEX, BRASS	
22	8.706-844.0	1	TEE, 1/2" FEMALE, PIPE, BRASS	
23	9.802-128.0	1	NIPPLE, 1/2" JIC X 1/2" MPT PIPE, BRASS	
24	9.802-131.0	2	ELBOW, 1/2" JIC X 1/2", 90° BRASS	
25	9.802-039.0	1	ELBOW, 1/2" JIC X 3/8", STEEL	
26	9.802-129.0	1	ELBOW, 1/2" X JIC X 3/8", BRASS	
27	9.802-807.0	4	WASHER, 3/8 FLAT	
28	9.802-879.0	1	COVER, KÄRCHER	
29	9.802-875.0	1	BASE, KÄRCHER	
30	9.802-451.0	1	SWITCH, ROCKER, CARLING W/GREEN LENS	
-	9.802-452.0	1	SWITCH, ROCKER, RED FACE	(TIME DELAY ONLY)
31	9.802-066.0	4	PAD, SOFT RUBBER, 50 DURO	
32	9.802-064.0	4	GROMMET, RUBBER, NOZZLE HOLDER	
33	9.802-146.0	1	SWIVEL, 1/2" MP X 3/4" GHF W/STRAINER	
34	8.707-000.0	1	CONNECTOR, 1/2" ANCHOR, BRASS	
35	8.755-033.0	1	BULKHEAD, 3/8" FXF NPT, STEEL	
36	9.804-058.0	4	BOLT, PUMP MOUNTING	

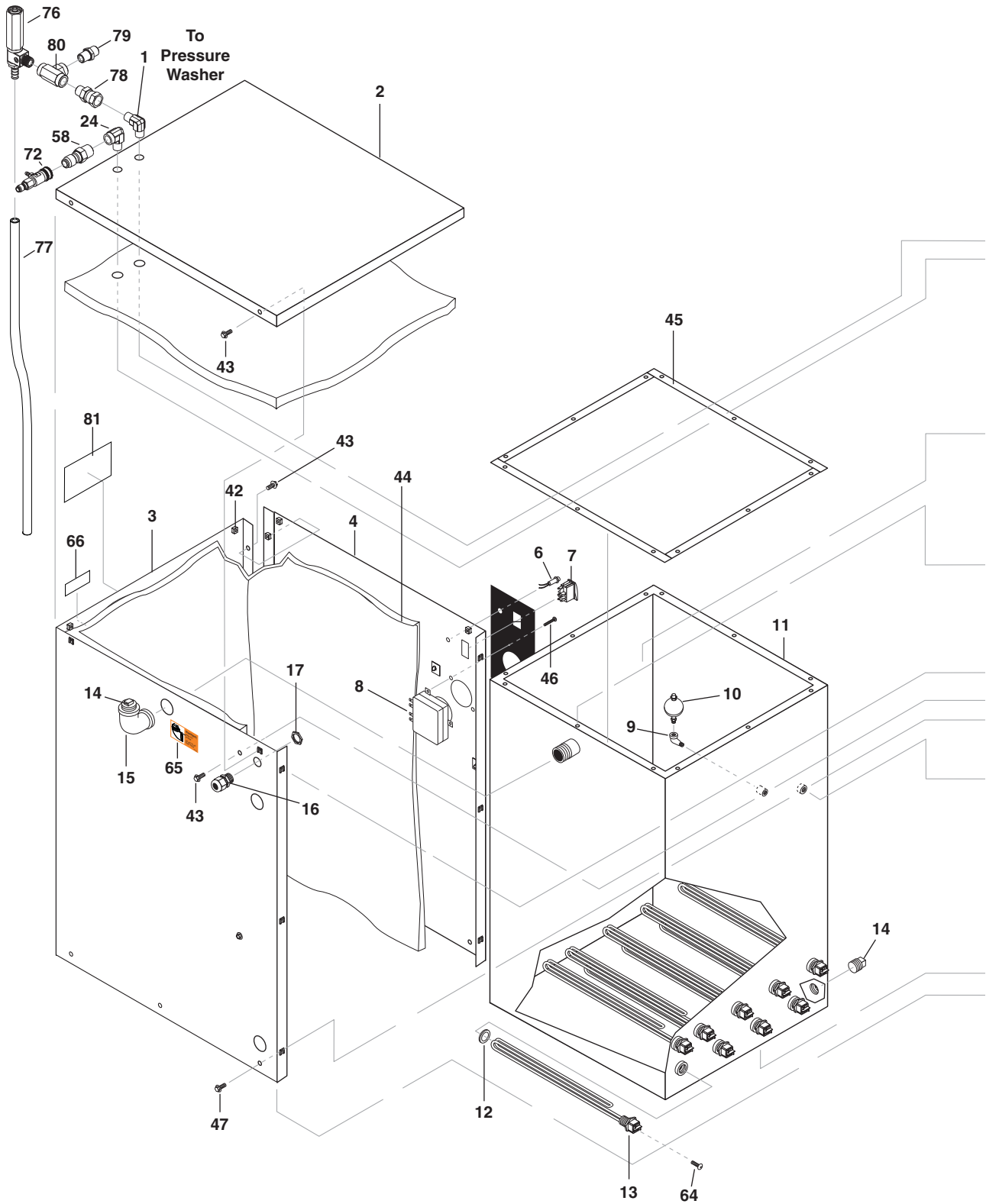
REF	PART NO.	QTY	DESCRIPTION	NOTES
37	9.802-039.0	1	ELBOW, 1/2" JIC X 3/8" 90° MPT	
38	8.712-345.0	1	NOZZLE, SAQCMEG 0004 RED	(HDS 4.0/30)
-	8.712-353.0	1	NOZZLE, SAQCMEG 0005 RED	(HDS 4.0/20)
39	8.712-346.0	1	NOZZLE, SAQCMEG 1504 YELLOW	(HDS 4.0/30)
-	8.712-354.0	1	NOZZLE, SAQCMEG 1505 YELLOW	(HDS 4.0/20)
40	8.712-347.0	1	NOZZLE, SAQCMEG 2504 GREEN	(HDS 4.0/30)
	8.712-355.0	1	NOZZLE, SAQCMEG 2505 GREEN	(HDS 4.0/20)
41	8.712-348.0	1	NOZZLE, SAQCMEG 4004, WHITE	(HDS 4.0/30)
	8.712-356.0	1	NOZZLE, SAQCMEG 4005, WHITE	(HDS 4.0/20)
42	9.800-064.0	1	LABEL KARCHER CONTROL PANEL CT	
43	8.918-422.0	1	HOSE, 3/8 X 20"	
44	-	-	BUSHING	SEE SPEC PAGE 24
45	-	-	BUSHING	SEE SPEC PAGE
46	-	-	PULLEY	SEE SPEC PAGE
47	-	-	PULLEY	SEE SPEC PAGE
48	-	-	BELT	SEE SPEC PAGE
49	9.802-048.0	1	SWIVEL, 1/2" JIC FEM, 3/8" MALE STEEL	
50	9.802-765.0	14	SCREW, 1/4"X1/2" BH SOC ES	
51	9.802-817.0	4	WASHER, 3/8" X 1" STEEL	
52	9.802-283.0	1	HOUR METER	
53	9.802-720.0	4	BOLT, 3/8" X 1", NC HH	
54	8.932-965.0	1	LABEL, WARNING, EXPOSED PULLEY	
55	8.932-970.0	1	LABEL, COLD WATER OUTLET	
56	9.802-429.0	10 FT.	SERVICE CORD 12/4	
57	8.932-969.0	1	LABEL, GFCI	
58	9.802-522.0	1	STRAIN RELIEF 1"	
59	9.802-429.0	40"	SERVICE CORD 12/4	
60	9.802-518.0	1	STRAIN RELIEF, STRT, LQ TITE 3234 LARGE	
-	9.802-526.0	1	LOCKNUT, 3/4"	NOT SHOWN
61	9.800-013.0	1	LABEL, INTENDED FOR INDOOR USE	
62	9.802-259.0	12"	HOSE, 1/2" PUSH-ON	
63	9.802-779.0	4	NUT, 3/8" ESNA NC	
64	8.706-207.0	1	ELBOW, 3/8" STREET, STEEL	
65	8.716-125.0	1	SWITCH, PRESSURE	(TIME DELAY OPTION)
66	9.802-514.0	1	STRAIN RELIEF, 1/2"	
	9.802-524.0	1	LOCKNUT, 1/2"	NOT SHOWN
67	9.803-081.0	1	COVER, ACCESS HOLE	
68	9.800-016.0	1	LABEL, DISCONNECT POWER SUPPLY	
69	9.800-020.0	1	LABEL, COLD WATER INLET	
70	8.718-980.0	4	WASHER, 5/16" FLAT	
71	9.802-738.0	1	BOLT, 1/2" X 8" NC HH	
72	9.802-800.0	1	WASHER, 1/2" FLAT	
73	9.803-100.0	1	SLIDER, PUMP	
74	9.802-776.0	4	NUT, 5/16" ESNA	

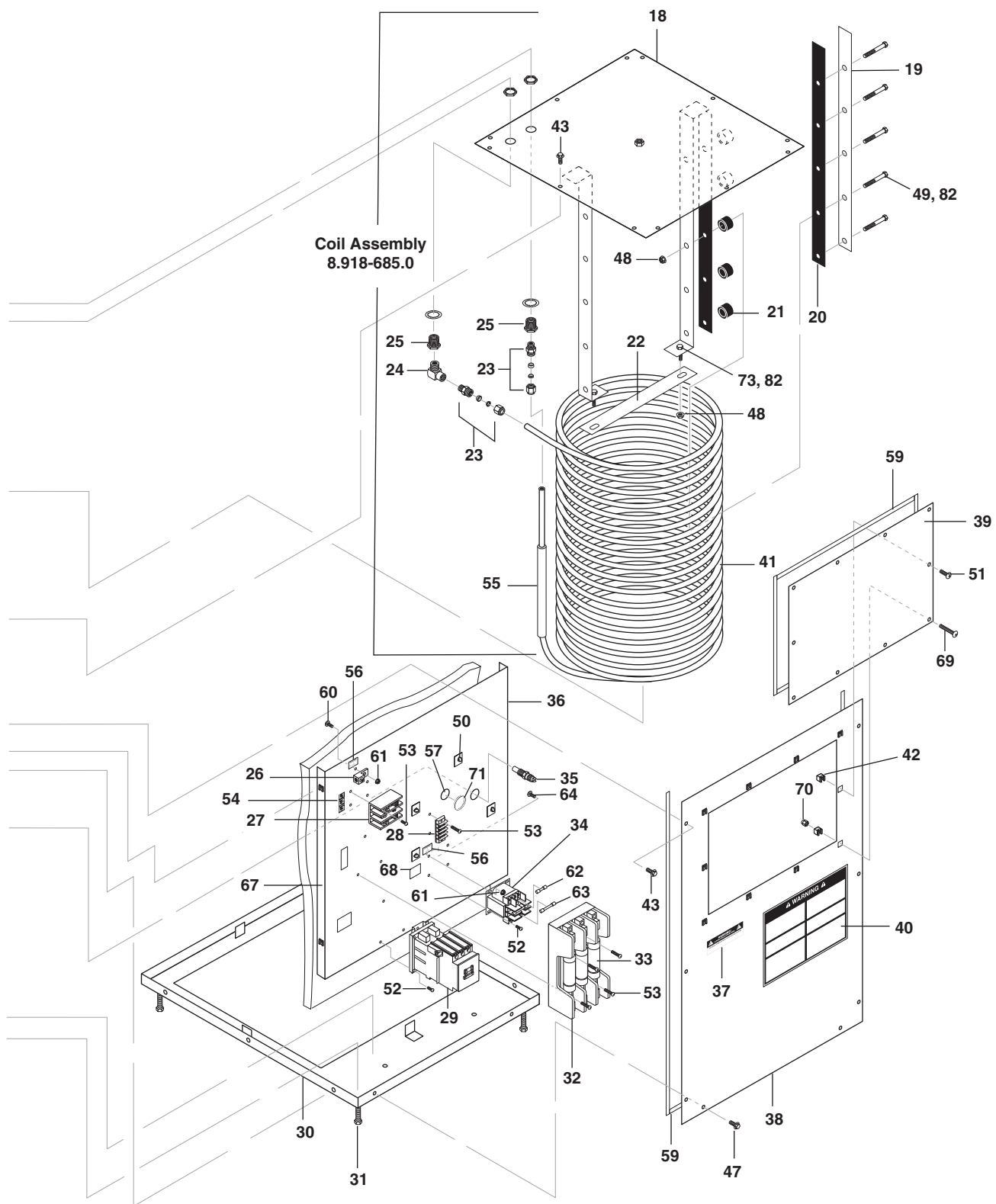
REF	PART NO.	QTY	DESCRIPTION	NOTES
75	9.802-042.0	1	ELBOW, 1/2" JIC X 3/8" FEMALE, 90°, STEEL	
76	8.706-294.0	1	BUSHING, 1/2" X 3/8" STEEL	
77	9.800-034.0	1	CLEAR LEXAN	
78	8.901-136.0	1	DETERGENT LABEL	
79	9.802-067.0	4	BUMPER PAD	
80	9.802-073.0	7 ft.	WEATHER STRIPPING	
81	9.802-074.0	4	NUT, 1/4" SQUARE	
82	9.802-151.0	4	SWIVEL, 1/2" JIC FEM. PUSH-ON	
83	9.802-424.0	30"	CORD, 16-4 SERVICE	
84	9.802-695.0	7	NUT, 10/32" KEPS	
85	9.802-723.0	4	BOLT, 3/8" X 1-1/2" NC HH	
86	9.802-759.0	10	SCREW, 10/32" X 1/2" BLACK	
87	9.802-762.0	1	SCREW, 10/32" X 1-1/4"	
88	9.802-773.0	2	NUT, 1/4" ESNA NC	
89	9.802-791.0	6	CAGE NUT, 10/32" X 16 GAUGE	
90	9.802-794.0	8	CAGE NUT, 1/4" X 12 GAUGE	
91	9.802-811.0	4	WASHER, 3/8" X 1-1/2" FENDER	
92	9.800-040.0	2	LABEL, GROUND	
93	9.803-032.0	1	STANDOFF, ELECTRICAL BOX	
94	9.802-520.0	1	STRAIN RELIEF, 3/4"	(068.0)
	9.802-522.0	1	STRAIN RELIEF, 1"	(069.0)
95	9.802-472.0	1	TIMER, SOLID STATE, 120V 5-60 MIN. ADJUST.	
96	8.707-264.0	1	PLUG, 3/8" GAS TAP	(TIME DELAY OPTION)
97	9.802-039.0	1	ELBOW, 1/2 JIC X 1/2 MPT STEEL	(TIME DELAY)
98	9.802-042.0	1	ELBOW, 1/2 JIC X 3/8 FEM STEEL	(TIME DELAY)
99	8.900-870.0	2	LABEL, SHARK, DIE CUT	
100	9.802-467.0	1	BASE, RELAY	(TIME DELAY OPTION)
101	9.802-468.0	1	RELAY, 120V	(TIME DELAY OPTION)



REF	PART NO.	QTY	DESCRIPTION	NOTES
1	9.802-165.0	1	COUPLER, 1/4" MALE	
	9.802-096.0	1	QUICK COUPLER O-RING, SMALL	NOT SHOWN
2	9.802-286.0	1	NOZZLE ONLY, 1/8", SOAP	
3	8.711-293.0	1	WAND, SS, VP, AL344 W/COUPLER & SOAP NOZZLE	
4	-	-	SEE NOZZLES, PAGE 11	
5	8.917-057.0	1	HOSE, 3/8" X 50', 1 WIRE,	
6	8.710-384.0	1	GUN, ST-1500, 5000 10.4 GPM	
7	8.756-797.0	1	INJECTOR, CHEMICAL, NON ADJ 0.083(2.1MM)	

Cabinet Left





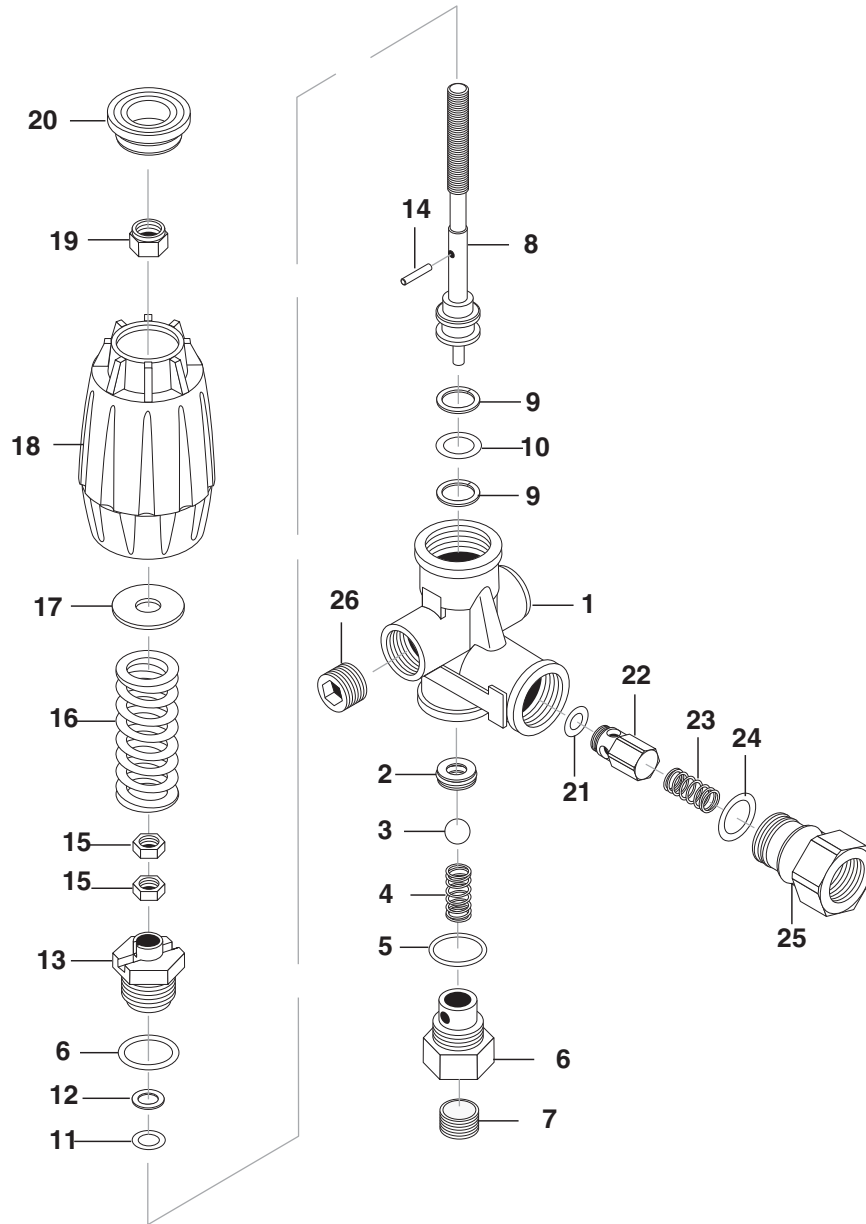
Cabinet

REF	PART NO.	QTY	DESCRIPTION	NOTES
1	9.802-039.0	1	ELBOW, 1/2" JIC X 3/8" MPT	
2	8.913-216.0	1	LID, TOP COVER	
3	8.913-218.0	1	OUTER WRAP, FILL SIDE	
4	8.913-219.0	1	OUTER WRAP, POWER SIDE	
5	8.940-048.0	1	LABEL, HEATING UNIT POWER	
6	9.802-455.0	1	LIGHT, GREEN 125V	
7	9.802-451.0	1	SWITCH, ROCKER CARLING W/GREEN LENS	
8	8.716-254.0	1	TIMER, 7 DAY PIN, 120V, 20A PB873MKZ	
9	8.706-161.0	1	ELBOW, 1/4" STREET, 90° GALV	
10	8.716-633.0	1	SWITCH, LIMIT W/CLAMP	
11	8.913-211.0	1	TANK ASSEMBLY	
12	8.716-650.0	9	GASKET, 6000W HEATER, 2500 SERIES	
13	8.716-645.0	9	HEATER, 4500W 480V #055994-091	
-	8.751-252.0	9	HEATER, 1" SCREW PLUG 575/600V 4500W	(575 V MODELS)
14	8.913-222.0	2	PLUG, 1.5" PIPE, BLACK	
15	8.913-221.0	1	ELBOW, 1-1/2" FEMALE, BLACK 90°	
16	9.802-518.0	1	STRAIN RELIEF, LARGE	
17	9.802-526.0	1	LOCKNUT, 3/4" 8465	
18	8.913-212.0	1	TANK ASSEMBLY LID	
19	8.913-213.0	2	BRACKET, COIL	
20	8.706-542.0	4	PAD, 1/4" RUBBER, COIL	
21	8.711-785.0	10	HOSE, 3/8" X 1/2" PUSH-ON	
22	8.913-214.0	1	BRACKET, COIL SPACER	
23	8.706-322.0	2	TUBE FITTING, PARKER 8MSC6N-316 1/2" SS A-LOK	
24	8.706-207.0	2	ELBOW, 3/8" STREET, STEEL	
25	8.755-033.0	2	BULKHEAD, 3/8" FXF NPT, STEEL	
26	8.716-461.0	1	TERMINAL, GROUNDING LUG, 1/0-6 COPPER WIRE	
27	8.716-122.0	1	BLOCK, POWER DISTR, 3 POL, GO63133	
28	9.802-491.0	1	BLOCK, TERMINAL, 4 POLE	
29	8.724-284.0	1	CONTACTOR, 120V	
30	8.913-210.0	1	TANK BASE ASSEMBLY	
31	8.718-696.0	4	BOLT, 1/2" X 3" NC, SS	
32	8.716-225.0	1	HOLDER, FUSE BLOCK, BUSS R60060-3CR	
33	8.730-762.0	3	FUSE, BUSS FRS-R-50, 600V 50 AMP	
34	8.716-883.0	1	TRANSFORMER, 208/230/460V-24/ 115V,.050KVA	
-	9.803-668.0	1	TRANSFORMER, 550V/575/600V- 115V,.050KVA (575 VOLT MODELS)	
35	8.712-179.0	1	SWITCH TH HI 84°C NC 1/2 X 1/2 SP	
36	9.813-220.0	1	ELECTRICAL PANEL	
37	9.800-016.0	1	LABEL, DISCONNECT POWER SUPPLY	
38	8.913-215.0	1	PLATE, BACK COVER	
39	8.913-217.0	1	PLATE, ELECTRICAL ACCESS	
40	8.940-047.0	1	LABEL, WARNING	

REF	PART NO.	QTY	DESCRIPTION	NOTES
41	8.912-251.0	1	COIL, 1/2" O.D. SS TUBING	
42	9.802-793.0	30	NUT, CAGE 1/4" X 16 GA	
43	9.802-754.0	32	SCREW, 1/4" X 1/2" HH NC WHIZ LOCK	
44	8.717-480.0	4	INSULATION, 1" X 24" X 48" FIBERGLASS	FOIL ONE SIDE
45	8.706-569.0	8 ft	GASKET, NEOP	
46	8.718-755.0	2	SCREW, 8/32" X 1-1/2", SS PHIL PH	
47	9.806-551.0	10	SCREW, 5/16" X 3/4" WHIZ	
48	8.718-887.0	12	NUT, WHIZ LOC, 5/16 FLANGE, SS	
49	8.718-639.0	10	BOLT, 5/16" X 2-1/2", NC, HH, SS	
50	8.716-533.0	9	CLAMP, TIE WRAP ADHESIVE	
51	9.802-765.0	9	SCREW, 1/4" X 1/2" BH SOC CS	
52	8.718-937.0	7	SCREW, #8 X 3/4" PHILLIPS ZINC, HEK	
53	8.718-936.0	10	SCREW, #8 X 1/2" PHILLIPS ZINC, TEK	
54	8.940-007.0	1	LABEL, INCOMING LINE	
55	9.802-259.0	1 ft.	HOSE, 1/2" PUSH-ON	
56	9.800-040.0	3	LABEL, GROUND SYMBOL	
57	9.802-103.0	1	BUSHING, SNAP 5/8	
58	9.802-171.0	1	NIPPLE, 1/2" HEX STEEL	
59	9.802-073.0	10 ft.	WEATHERSTRIP, 1/8" X 1/2"	
60	8.718-803.0	1	SCREW, 10/32" X 3/4" BHSOC	
61	9.802-695.0	3	NUT, 10/32" KEPS	
62	9.802-464.0	1	FUSE, PAPER BASS 8/10 250V	
63	8.713-081.0	2	FUSE, CLASS R1/2 AMP	
64	9.802-759.0	19	SCREW, 10/32" X 1/2" BH SOC	
65	8.724-513.0	1	LABEL, FILL ELBOW	
66	9.800-021.0	1	LABEL, HOT WATER OUTLET	
67	8.915-607.0	1	LABEL, CLASS RD5, 50 AMP	
68	8.915-610.0	1	LABEL, XFMR PRIMARY/SECONDARY FUSES	
69	9.802-770.0	1	SCREW, 1/4" X 1", BH SOC CS	
70	9.802-773.0	1	NUT, 1/4" ESNA, NC	
71	9.802-065.0	1	GROMMET, 1-5/16" RUBBER	
72	9.802-225.0	1	DETERGENT INJECTOR ASSY, NON-ADJ. #3	
73	8.718-621.0	2	BOLT 5/16" X 1", SS	
74	9.802-749.0	2	SCREW, 8/32" X 3/4"	
	9.802-785.0	2	NUT, 8/32"	NOT SHOWN
75	8.716-707.0	30"	3/8" SHRINK TUBING	NOT SHOWN
76	8.902-433.0	1	PRESSURE RELIEVE VALVE	
77	8.711-785.0	1	3/8" PUSH-ON HOSE 3 FT	
78	9.802-048.0	1	1/2" SWIVEL JIC	
79	9.802-036.0	1	NIPPLE, 1/2" JIC X 3/8"	
80	8.706-214.0	1	TEE, 3/8" FEMALE PIPE	
81	9.800-013.0	1	LABEL, INDOOR USE ONLY	
82	9.802-805.0	12	WASHER, 5/16" FLAT, SS	

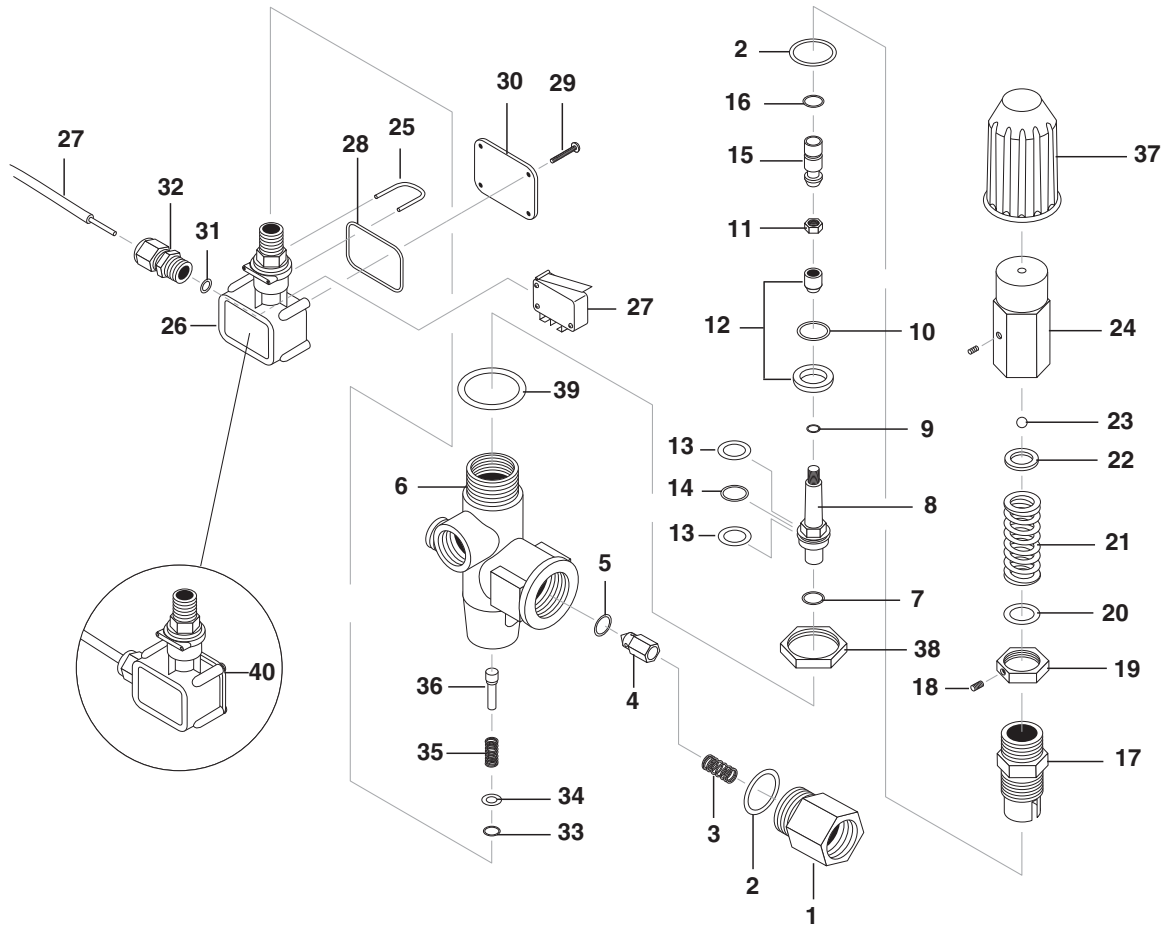
VRT3 Unloader

8.750-297.0, 8 GPM, 2320 PSI
 8.750-298.0, 8 GPM, 3630 PSI
 8.750-299.0, 8 GPM, 4500 PSI



REF	PART NO.	QTY	DESCRIPTION	NOTES
25	8.750-713.0	1	OUTLET FITTING	
18	8.750-712.0	1	KNOB, UNLOADER	
-	8.750-709.0	-	REPAIR KIT, VRT3, 2320/3630 PSI	
-	8.750-710.0	-	REPAIR KIT, VRT3, 4500 PSI	
-	-	-	(KIT ITEMS: 1, 4, 8-12, 21-22)	

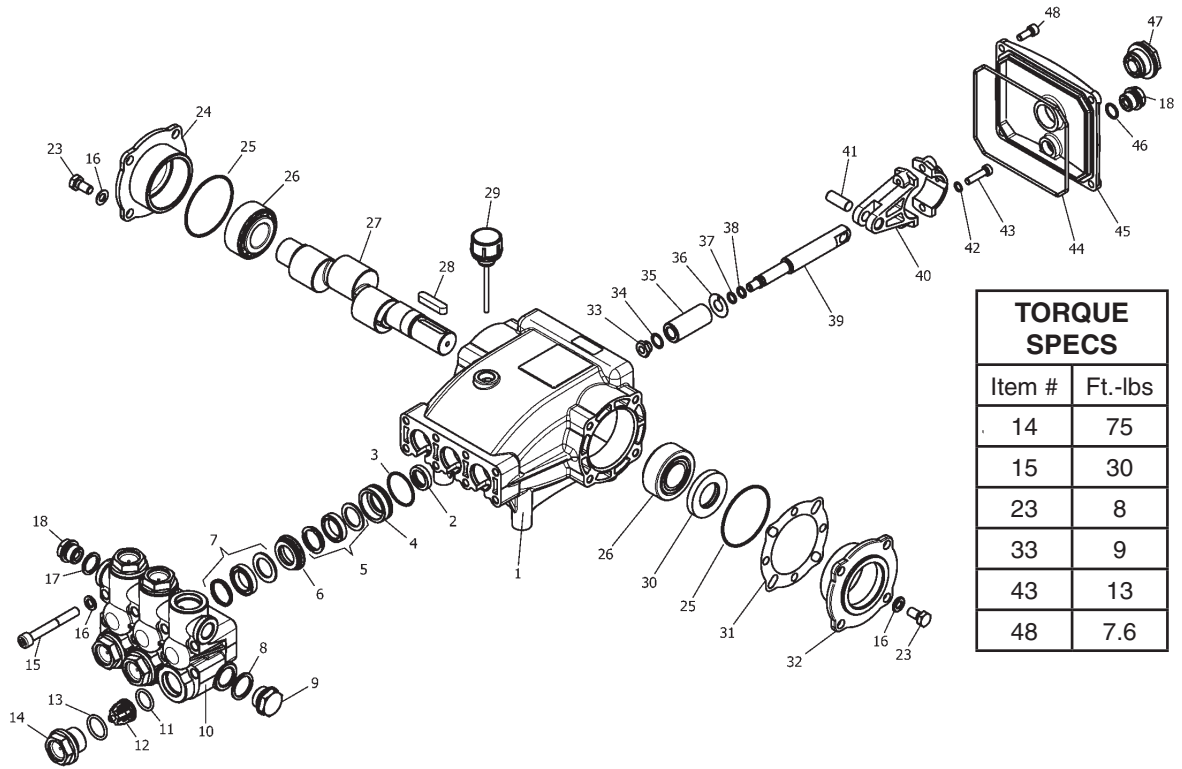
9.802-362.0
8GPM@3650 PSI



REF	PART NO.	QTY	DESCRIPTION	NOTES
1	8.705-749.0	1	3/8 BSP F OUTLET FITTING	
2	8.704-218.0*	2	O-RING 1.78 X 18.77 MM	
3	-	1	SPRING	
4	-	1	CHECK VALVE	
5	8.704-230.0*	1	O-RING 3 X 6 MM	
6	-	1	VB8 BRASS BODY	
7	-	1	O-RING 2,.62 X 7.6 MM	
8	-	1	PISTON	
9	-	1	O-RING 1 X 4 MM	
10	9.804-550.0*	1	O-RING 1.78 X 15.6 MM	
11	-	1	M 6 NUT	
12	-	1	VB8/9 SEAT+SHUTTER	
13	-	2	BACK RING 11.4 X 15.9 MM	
14	-	1	O-RING 2.62 X 10.77 MM	
15	-	1	SPRING GUIDE	
16	-	1	O-RING 2.62 X 5.23 MM	
17	-	1	PISTON HOUSING	
18	-	1	M 4 X 4 MM DOWEL	
19	-	1	M 22 NUT	
20	-	1	WASHER 9 X 15 MM	
21	8.932-987.0	1	3.2 X 33 MM SPRING	
22	-	1	UPPER FRAME	
23	-	1	1/4" BALL	
24	-	1	BRASS CAP	
25	-	1	SST CLIP	
26	-	1	PLASTIC HOUSING	
27	-	1	EL.CABLE + MICRO SWITCH	
28	-	1	O-RING 2.62 X 28.25 MM	
29	-	2	2.5 X 12 MM SCREW	
30	-	1	COVER	
31	-	1	O-RING 2.62 X 6.02 MM	
32	-	1	BLACK NUT-40 BAR	
33	-	1	O-RING 1.78 X 3.68 MM	
34	-	1	SST WASHER 4 X 8 MM	
35	-	1	SPRING	
36	-	1	PR 5 PIN	
37	-	1	PLASTIC HANDLE (60.1290.00)	
38	-	1	WASHER D. 30 MM (60.1290.00)	
39	-	1	M 30 NUT (60.1290.00)	
40	8.705-930.0	1	PR 5 PL.HOUSING KIT	

SM.3 Series Pump

8.922-680.0 SM4035R.3



REF	PART NO.	QTY	DESCRIPTION	NOTES
1	8.751-216.0	1	CRANKCASE	
2	-	3	PLUNGER OIL SEAL	SEE KITS TABLE
3	-	3	O-RING Ø1.78 X 31.47	SEE KITS TABLE
4	-	3	PRESSURE RING	SEE KITS TABLE
5	-	3	U-SEAL	SEE KITS TABLE
6	-	3	INTERMEDIATE RING	SEE KITS TABLE
7	-	3	U-SEAL	SEE KITS TABLE
8	9.803-199.0	1	WASHER, COPPER	
9	9.802-926.0	1	PLUG, BRASS 1/2	
10	8.751-218.0	1	MANIFOLD HEAD	
11	-	6	O-RING Ø2.62 X 17.13	SEE KITS TABLE
12	-	6	VALVE ASSEMBLY	SEE KITS TABLE
13	-	6	O-RING Ø2.62 X 20.29	SEE KITS TABLE
14	9.802-928.0	6	VALVE PLUG	
15	9.802-938.0	8	MANIFOLD STUD BOLT	
16	9.802-884.0	16	WASHER	
17	9.803-198.0	1	COPPER WASHER 3/8	
18	9.802-925.0	1	BRASS PLUG 3/8	
23	9.802-944.0	8	SCREW, HEX, 8MM X18MM	
24	8.717-210.0	1	CLOSED BEARING HOUSING	

REF	PART NO.	QTY	DESCRIPTION	NOTES
25	9.803-192.0	2	O-RING Ø1.78 X 60.05	
26	8.933-011.0	2	TAPERED ROLLER BEARING	
27	8.751-222.0	1	CRANKSHAFT (5030,3540)	
-	8.751-223.0	1	CRANKSHAFT (4030, 4035)	
28	9.803-167.0	1	CRANKSHAFT KEY	
29	9.802-921.0	1	OIL DIP STICK	
30	9.803-140.0	1	CRANKSHAFT SEAL	
31	9.803-178.0	2	SHIM	
32	8.717-209.0	1	BEARING HOUSING	
33	-	3	PLUNGER NUT, M8	SEE KITS TABLE
34	-	3	COPPER SPACER	SEE KITS TABLE
35	-	3	PLUNGER (4035)	SEE KITS TABLE
-	-	3	PLUNGER (4030, 5030)	SEE KITS TABLE
-	-	3	PLUNGER (3540)	SEE KITS TABLE
36	-	3	COPPER SPACER	SEE KITS TABLE
37	-	3	O-RING Ø1.78 X 7.66	SEE KITS TABLE
38	-	3	TEFLON RING	SEE KITS TABLE
39	8.751-224.0	3	PLUNGER ROD	
40	9.803-158.0	3	CONNECTING ROD	
41	8.751-228.0	3	CONNECTING ROD PIN	
42	9.803-218.0	6	SPRING WASHER	
43	9.803-238.0	6	CONNECTING ROD SCREW	
44	8.933-016.0	1	O-RING, Ø2.62 X 126.67	
45	8.751-229.0	1	CRANKCASE COVER	
46	9.803-197.0	1	O-RING, Ø1.78 X 14	
47	9.803-202.0	1	SIGHT GLASS 3/4	
48	9.802-939.0	5	COVER SCREW	

REPAIR KIT NO.	8.725-360.0	8.725-362.0	8.725-358.0	8.725-361.0	8.725-363.0	8.725-359.0
KIT DESCRIPTION	Plunger Seal 4035 18mm	Plunger Seal 4030 5030 20mm	Plunger Seal 3540 15mm	Complete Seal Packing 4035 18mm	Complete Seal Packing 4030 5030 20mm	Complete Seal Packing 3540 15mm
ITEM NUMBERS INCLUDED	3, 5, 7	3, 5, 7	3, 5, 7	3, 4, 5, 6, 7	3, 4, 5, 6, 7	3, 4, 5, 6, 7
NO. OF CYLINDERS KIT WILL SERVICE	3	3	3	1	1	1

REPAIR KIT NO.	8.751-237.0	8.751-238.0	8.933-023.0	9.802-603.0	9.802-609.0
KIT DESCRIPTION	Plunger 4035 18mm	Plunger 4030 5030 20mm	Plunger 3540 15mm	Complete Valve	Plunger Oil Seals
ITEM NUMBERS INCLUDED	33, 34, 35, 36, 37, 38	33, 34, 35, 36, 37, 38	33, 34, 35, 36, 37, 38	11, 12, 13	2
NO. OF CYLINDERS KIT WILL SERVICE	1	1	1	6	3

Specifications

MODEL #	HP	MOTOR	PUMP	PUMP PULLEY	PUMP PULLEY DESCRIPTION	MOTOR PULLEY	MOTOR PULLEY DESCRIPTION
1.106-068.0	6 hp	8.751-004.0	8.922-680.0	9.802-374.0	2AK74H	9.802-373.0	2AK56H
1.106-069.0	7.5 hp	8.755-604.0	8.922-680.0	8.715-592.0	2BK80H	8.751-583.0	2BK50H
1.109-960.0	5 hp	8.751-009.0	8.922-680.0	9.802-374.0	2AK74H	9.802-373.0	2AK56H
1.109-961.0	7.5 hp	8.751-010.0	8.922-680.0	8.715-592.0	2BK80H	8.715-583.0	2BK50H

MODEL#	PUMP BUSHING DESCRIPTION	PUMP BUSHING #	MOTOR BUSHING	MOTOR BUSHING #	BELT	BELT #
1.106-068.0	24 mm	9.802-402.0	H x 1-1/8"	9.802-400.0	AX42	9.802-411.0
1.106-069.0	24 mm	9.802-402.0	H x 1-3/8"	9.802-401.0	BX43	9.802-420.0
1.109-960.0	24 mm	9.802-402.0	H x 1-1/8"	9.802-400.0	AX42	9.802-411.0
1.109-961.0	24 mm	9.802-402.0	H x 1-3/8"	9.802-401.0	BX43	9.802-420.0

MODEL #	CONTACTOR	OVERLOAD	PRIMARY FUSE	SECONDARY	TRANSFORMER
1.106-068.0	8.724-268.0	8.724-303.0	9.802-462.0 (2)	9.802-463.0 (1)	9.802-551.0
1.106-069.0	8.724-268.0	8.724-312.0	9.802-462.0 (2)	9.802-463.0 (1)	9.802-551.0
1.109-960.0	8.724-268.0	8.724-302.0	9.802-462.0 (2)	9.802-463.0 (1)	9.803-668.0
1.109-961.0	8.724-268.0	8.724-312.0	9.802-462.0 (2)	9.802-463.0 (1)	9.803-668.0