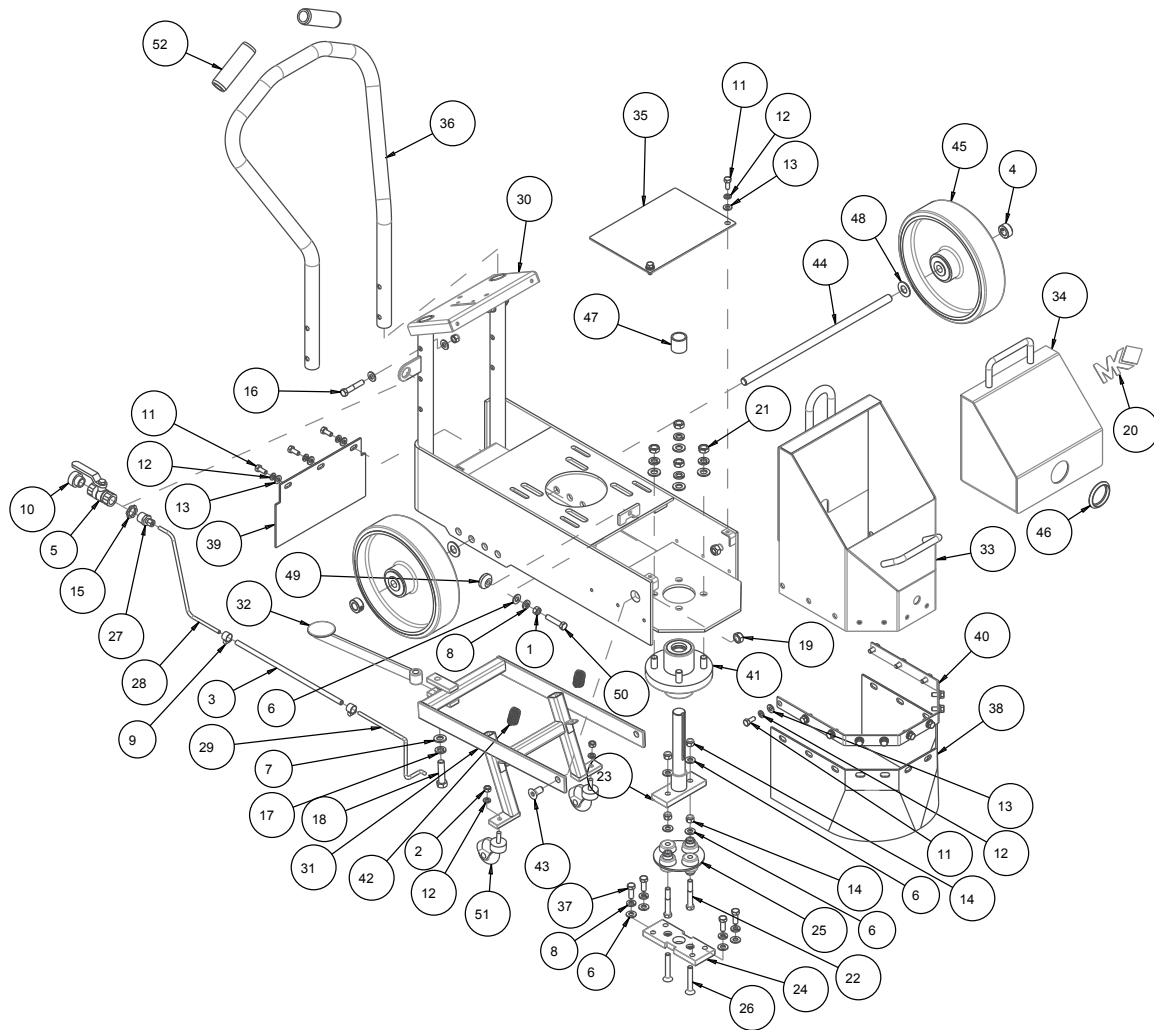


MK-SDG, GRINDER LESS ENGINE P/N 157893

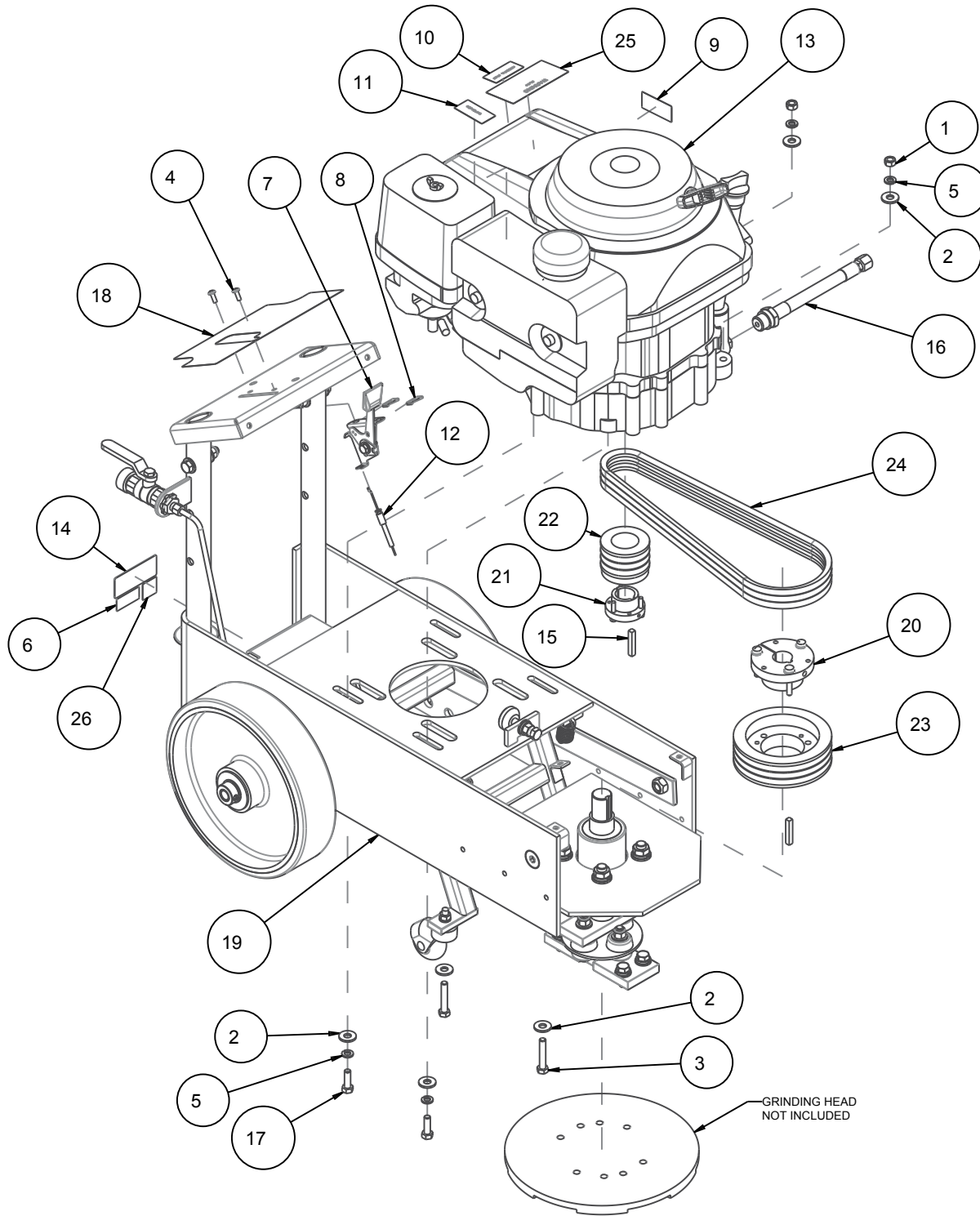


ITEM	DESCRIPTION	PART #	QTY.
1	NUT, HEX, 3/8-16	101188	1
2	NUT, HEX, 5/16-18	101196	2
3	HOSE, VINYL 1/4X3/8 (1.0')	132951	1
4	COLLAR, 1.13 ODX.625ID .5 WIDE	140012	2
5	VALVE, BALL 1/2"	150843	1
6	WASHER, FLAT, SAE, 3/8	150923	13
7	WASHER, 1/2 SAE FLAT	150924	5
8	WASHER, LOCK, SPLIT, 3/8	150925	5
9	CLAMP, HPSE, 5/8	151198	2
10	FITTING, 1/2 MNPT X 3/4 FNH	151322	1
11	SCREW, HEX HD, CAP, 5/16-18 X 3/4	151369	17
12	WASHER, LOCK, SPLIT, 3/8	151747	19
13	WASHER, FLAT, SAE, 5/16	151754	17
14	NUT, HEX, NYLK, 3/8-16	152505	6
15	NUT, LOCK STEEL 1/2" NPT	152729	1

## MK-SDG, GRINDER LESS ENGINE P/N 157893

ITEM	DESCRIPTION	PART #	QTY.
16	SCREW, HEX, HD, CAP, 3/8-16X2	153485	2
17	WASHER, 1/2 SPLIT LOCK	153524	5
18	SCREW, HEX HD 1/2-13 X 2	153533	1
19	NUT, 1/2-13 HEX	153943	2
20	LABEL, 1-3/4 X 5 MK LOGO	154335	1
21	NUT, JAM, 1/2-20	154460	4
22	SCREW, 3/8-16 X 2-1/2 HEX HEAD CAP	156030	2
23	SHAFT, 1" DIA. LARGE GEAR	157302	1
24	MOUNTM GRD, WHEEL	157407	1
25	COUPLING, FLEXIBLE	157411	1
26	SCREW, FLAT HD SOC 3/8-16X2-1/2	157562	2
27	FITTING, 1/2 MNPT X 1/4 BRASS	157563	1
28	TUBING, COPPER, 1/4OD (14")	157564	1
29	TUBING, CPPER, 1/4OD (12")	157564	1
30	FRAME, MAIN, MK-SDG	157780	1
31	FRAME, LIFTING, MK-SDG	157781	1
32	PEDAL, LIFTING FRAME	157782	1
33	HOUSING, WEIGHT, MK-SDG	157781	1
34	BOX, WEIGHT, MK-SDG	155784	1
35	TRAY, WEIGHT	157785	1
36	HANDLEBAR	157786	1
37	SCREW, HEX HD, 3/8-24X1	157803	4
38	SKIRT, FRONT, MK-SDG	157817	1
39	SKIRT, REAR	157818	1
40	RETAINER, SKIRT	157819	1
41	HUB, 1" AXLE, 4 ON 4	157820	1
42	SPRING, LIFTING FRAME, MK-SDG	157821	2
43	SCREW, FLAT HD, 1/2-13X1	157822	2
44	AXLE, MK-SDG	157887	1
45	WHEEL, MK-SDG	157889	2
46	CAP, WEIGHT BOX, MK-SDG	157890	1
47	SPACER, 1.25 OD X 1.0 ID X 1.2	158257	1
48	WASHER, FLAT, 5/8 SAE	158350	2
49	MOUNT, 3/8-16 SWIVEL	158371	1
50	MOUNT, 3/8-16 X 1-3/4 HEX HD	158398	1
51	CASTER, SWIVEL, 2" NEOPR W/BBRG	160455	2
52	GRIP, HANDLE	229413	2

MK-SDG-11, SGL DSK GRINDER P/N 157377



## MK-SDG-11, SGL DSK GRINDER P/N 157377

ITEM	DESCRIPTION	PART #	QTY.
1	NUT, HEX, 5/16-18	101196	2
2	WASHER, 5/16 FLAT CUT	101352	6
3	SCREW, HEX HD, CAP, 5/16-18X1-3/4	150919	2
4	SCREW, PAN HD, #10-24X1/2	151744	2
5	WASHER, LOCK, SPLIT, 5/16	151747	4
6	LABEL, INFORMATION ON SERVICE	155038	1
7	ASSY, THROTTLE CONTROL	155406	1
8	NUT, 10-24 CLIP	155407	2
9	LABEL, CAUTION, HOT SURFACE	155578	1
10	LABEL, CAUTION, DISCONNECT SPARKPLUG	155579	1
11	LABEL, WARNING, REFUELING	155580	1
12	CABLE, TROTTLE HONDA 2013HSP-C	156640	1
13	ENGINE, HONDA GXV340	157067	1
14	TAG, SERIAL NUMBER, BLANK	157500-RW	1
15	KEY, 1/4 SQUARE X 1-1/2	157560	2
16	HOSE, OIL DRAIN, M20	157577-04	1
17	SCREW, HEX HD, TAP, 5/16-24X1	157646	2
18	LABEL, CONSOLE, MK-SDG	157888	1
19	MK-SDG, GRINDER LESS ENGINE	157893	1
20	BUSHING LRG SHEAVE QD X 1: SD	157899	1
21	BUSHING, SML SHEAVE QD X 1"	157900	1
22	PULLEY, 3-3VX X 2.5X1.0+A	160191	1
23	PULLEY, 3-3VX X 2.5X1.0+A	160193	1
24	BELT, 3VX355	160385	3
25	LABEL, WARNING, SILICA, PROP 65	164202	1
26	LABEL, QR CODE	170480	1