



MODEL: SK-5

OPERATING INSTRUCTION AND PARTS MANUAL

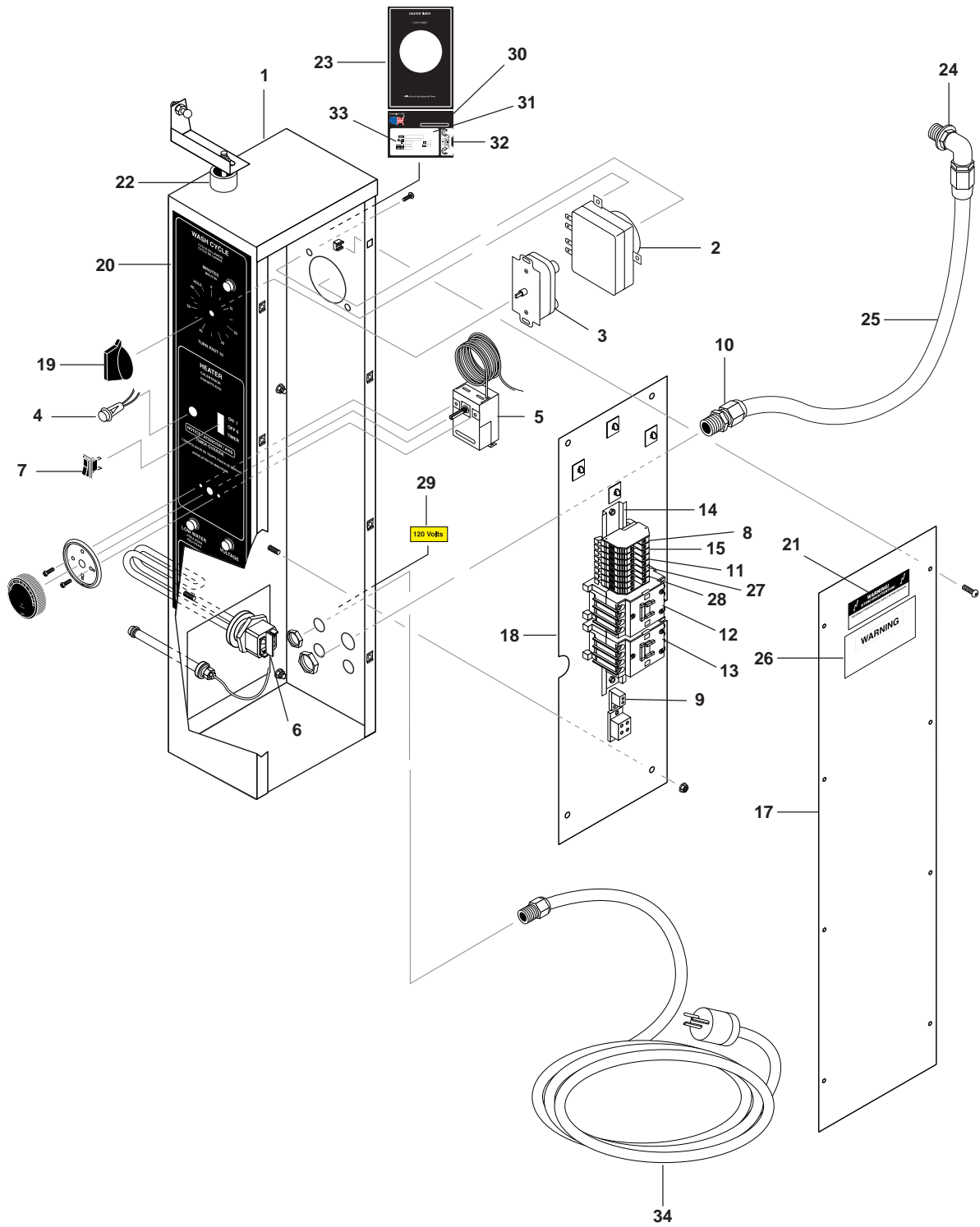
■ SK-5A

■ SK-5B

■ SK-5D



ELECTRICAL BREAKDOWN

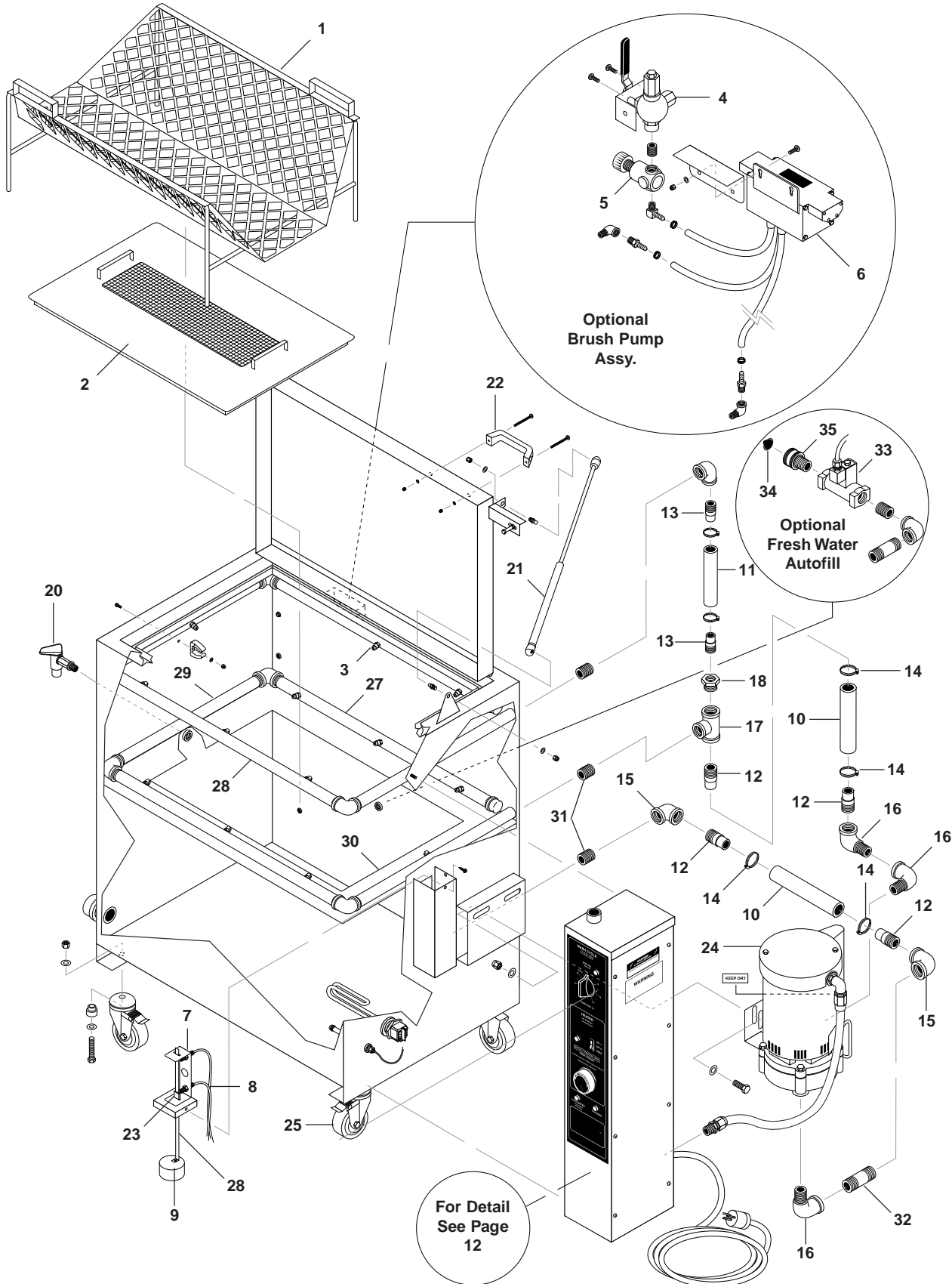


ELECTRICAL BREAKDOWN PARTS LIST

ITEM	PART NO.	DESCRIPTION	QTY	ITEM	PART NO.	DESCRIPTION	QTY
1	95-04-10779	Box, Electrical, Welded, SJ-5	1	14	500.307	Din Rail	6.5"
					500.812	Relay, SPDT	1
2	6-03731	Timer, 7-Day Pin, 120V (Option)	1		6-1098	▲ Block Contact GE-2000	1
3	500.074	Timer, Spring Wound, 1 Hr SWP60MH Paragon	1	15	500.754	Terminal Block, Green	1
4	6-020530	Light, Indicator, Green 125V3		16	502.119	Terminal Block, 2 Position	6
5	4-05090	Thermostat, General, 195°, #100438B	1	17	95-04-10783	Cover, Electric Box, SJ-5	1
6	6-1025	Heater, 2000W 120V, #SGW-2175L	1	18	95-04-10782	Stand-Off, Electric Box	1
	6-1015	Heater, 4500W 230V, 1 Ph, 3 Ph	1	19	6-037910	Knob, 1 Hour Timer	1
	500.931	▲ Transformer 240/480-120, .050KVA, 230 3 Ph, 1 Ph	1	20	10-5082	Label, Control Panel 120V	1
	500.394	▲ Fuse, ATMR, 1 amp 240V, 230V 1 Ph, 3 Ph	2		10-5085	Label, Control Panel 230V	1
	500.762	▲ Fuse, GDL, 1/2 amp, 120V, 230V, 1 Ph, 3 Ph	1	21	10-08021	Label, Disconnect Power Supply	1
7	6-020253	Curvette Switch, On-Off-On (Option)	1	22	500.421	Switch, Momentary Push, OFF-ON	1
8	500.804	Block, Terminal, Gray	4		500.423	Boot, Push Button	1
9	500.400	Terminal, Grounding Lug	1	23	10-5075	Label, Heater Timer	1
10	500.096	Strain Relief, LQ Tite, Medium	1	24	500.097	Strain Relief, 3/8" x 90°	1
11	500.803	Block Terminal, Blue	4	25	500.095	Conduit, Seal Tite, 3/8"	1
12	500.316	Contactora, 9 Amp	1	26	500.334	Decal, Warning	1
13	500.324	Contactora, 30 Amp	1	27	500.820	Relay, Base	1
	502.406	Contactora, 12 Amp	1	28	500.812	Relay - SPDT	1
				29	10-400506	Label, 120V	1
				30	10-08016	Label, USA	1
				31	500-061	Label, Serial Plate	1
				32	500.830	Label, ETL	1
				33	10-9999	Label, Clear Lexan	1
				34	501.323	Cord, 120V	1

▲ Not Shown

EXPLODED VIEW



EXPLODED VIEW PARTS LIST

ITEM	PART NO.	DESCRIPTION	QTY	ITEM	PART NO.	DESCRIPTION	QTY
1	503.049	Basket, Expanded, SJ-5	1	19	500.010	Elbow, 1" Black, 90°	9
2	501.658	Debris Screen, 10 Mesh 6-1/4" x 19-5/16" SS	1	20	500.040	Valve, Oil Decant	1
3	503.056	Nozzle, Full Cone Brass, 76°, 1.6GPM@20PSI	16	21	502.760	Gas Spring, Strut	1
4	500.081	Ball Valve, 1/4", 3 Way	1	22	500.521	Handle, Door/Strainer	1
5	500.041	Regulator, Air	1	23	6-02073	Magnet, Reed Sensor Target	1
6	500.004	Pump, Air Diaphragm	1	24	5-23848	Pump, 1/2HP 115/230V 1 Ph	1
7	502.116	Switch, Magnetic Reed, NC 1	1		5-23836	Pump, 1/2HP 230V 3 Ph	1
8	502.115	Switch, Magnetic Reed, NO 1	1	25	21-545	Caster Wheels, Set of 4	1
9	502.216	Float, Poly Cyl., 2" x 3-3/4"	1	26	95-04-9239	Float Strap, Brass 1/16" x 1/2" x 11-1/16"	1
10	500.005	Hose, 1-1/4"	1.48 ft.	27	95-04-10805	Spray Pipe, Back	2
11	500.006	Hose, 1"	.68 ft.	28	95-04-10803	Spray Pipe, Front	2
12	500.012	Pipe, 1-1/4" Barbed, Male, NPT	4	29	95-04-10804	Spray Pipe, Left	2
13	500.011	Pipe, 1" Barbed, Male, NPT, Black	2	30	95-04-10802	Spray Pipe, Right	2
14	501.404	Clamp, Hose, 1-5/16" x 2-1/4"	6	31	502.356	Nipple, 1-1/4" x CL, Schedule 40	2
15	500.014	Elbow, 1-1/4" Black, 90°	3	32	503.071	Nipple, 1-1/4" x 4-1/2" Black, Schedule 40	1
16	500.142	Elbow, 1-1/4" Black, 90°	2	33	500.476	Solenoid Valve, 1/2" Brass, 120V	1
17	500.015	Tee, 1-1/4" x 1-1/4" x 1" Black	1	34	500.802	Washer, Hose	1
18	500.016	Bushing, 1-1/4" to 1" Black	1	35	502.293	Garden Hose Adapter	1