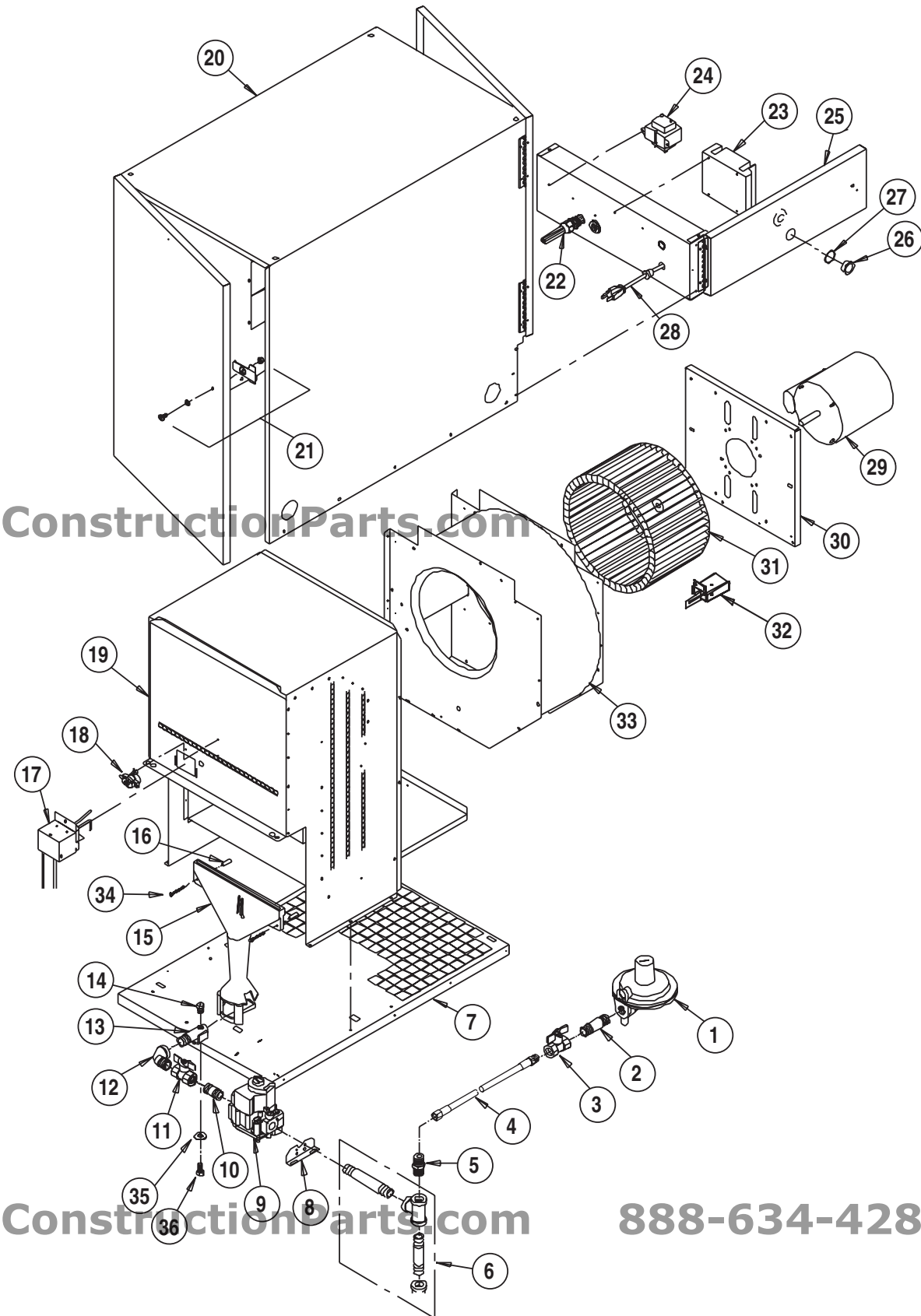


Parts Identification

Guardian 250 SI
Model AD250B

888-634-4289

PARTS SCHEMATIC



ConstructionParts.com

ConstructionParts.com

888-634-4289

PARTS LIST

Item	Description	Part Number
1	Regulator, LP Gas, 2nd Stage, Vent Over Outlet	06553
	Regulator, LP Gas, 2nd Stage, Vent Over Side	06665
	Regulator, Natural Gas (5 PSIG Inlet, 13.5 Outlet)	07087
2	Nipple, 3 1/2 in.	07148
3	Valve, Manual Shut Off	05548
4	Hose, 1/2 in. ID x 10 ft. with Adapter	20714
5	Adapter, Hose, 1/2 NPT x 1/2 NPS	02894
6	Kit, Sediment Trap	00815
7	Base	20136
8	Bracket, Gas Control Valve	21768
9	Valve, Gas Control: LP Gas	22076
	Valve, Gas Control: Natural Gas	22078
10	Nipple, 1/2 in. x 1 1/2 in.	02420
11	Valve, Throttle: LP Gas	20143
	Valve, Throttle: Natural Gas	20144
12	Elb, Street	01359
13	Manifold	09291
14	Orifice, Burner: LP Gas	20141
	Orifice, Burner: Natural Gas	20142
15	Burner	21781
16	Spacer	02687
17	Igniter and Sensor Assembly	22473
18	Switch, High Limit	05566
19	Chamber, Heat	21734
20	Case, Assembly with Doors and Latches	22458
21	Latch Assembly	20959
22	Harness, 6 wire	22842
23	Control, Ignition	24900
24	Transformer, 120/24 v.	09615
25	Cover, Control Box	22465
26	Plug, Window	08255
27	O-Ring	08347
28	Cord, Power, 10 ft.	20133
29	Motor, 1/3 HP, Ball Bearing	20169
30	Mount, Motor	08647
31	Wheel, Fan	09050
32	Air Flow Switch Assembly	24157
33	Housing, Fan, with Air Flow Switch Assembly and Motor Mount	24167
34	Screw, Burner	02688
35	Washer	01589
36	Bolt	02692

(1) Complete control box assembly, specify galvanized - Part #24235 or painted - Part #24236 and country use.

(2) For fixed rate heater, replace items 11, 12 and 13 with a 1/2 in. elbow, part #130-01426 and a nipple, 1/2 in. x 3 1/2 in., part #130-07148.

(3) Specify model number and fuel type when ordering.