

DIMAS

888-634-4289

IPL, FS 6600 - FS 8400, 2005-14, 542 20 10-32

FS 6600

FS 8400

Spare Parts

Reservdelar

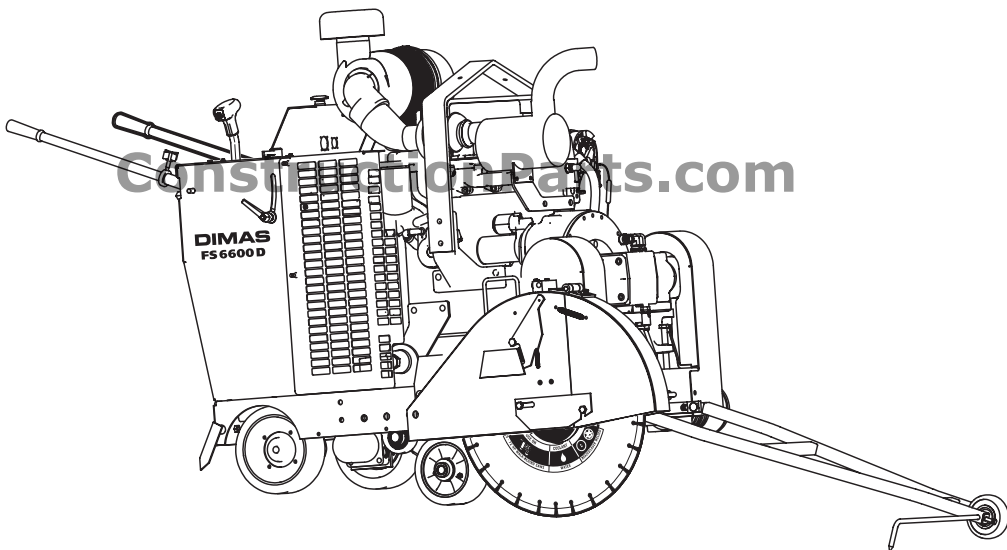
Ersatzteile

Pieces de rechange

Piezas de repuesto

Ricambi

**Peças
sobresselente**



ConstructionParts.com

888-634-4289 542 20 10-32

DIMAS

PART NO.	POS.	DESCRIPTION	PART NO.	POS.	DESCRIPTION
000 49 99-19*	Z	Light, 12V	542 02 01-36*	M	Nut, Hex, 3/8-16
015 70 03-80*	W	Hose Clamp, Worm Drive SAE 56	542 02 01-77*	V2	Nut, Thin Jam
015 70 05-06*	D	Hose Clamp, Worm Drive SAE 104	542 02 01-80*	N3,S	Nut, Hex Jam Thin 1"-14 UNF
015 70 05-37*	R	Hose Clamp, Worm Drive SAE 285	542 02 01-97*	Z	Locknut, Fiber 5/16-18
015 70 07-02*	W	Hose Clamp, Worm Drive SAE 44	542 02 01-99*	I	Locknut, Fiber 3/8-16
539 10 13-31	F,G	Nut, Lock 1/2-13, Nyloc	542 02 02-16*	N1	Locknut, Flex .5-20 UNF
539 10 25-35	N1, N3	Cap, Grease	542 02 02-44*	B	Nut, Lock Wing 1/4-20 ESNA
539 30 01-13	Y	Switch Boot, Grey	542 02 02-96*	Y	Nipple, Close Pipe 3/4" Steel Galv
539 30 01-19	H	Spring, Extension	542 02 03-04*	S	Pin, Dowel 3/8" Dia x 1.5"
539 30 02-43	J	Fitting, Close Nipple, 1/2" Pipe	542 02 03-13*	Z	Capscrew, Hx Hd, 5/16-18 x 3/4 Gr5
539 30 02-68	H	Cotter Pin, 1/8"	542 02 03-52*	C	Capscrew, Hx Hd, 1/2-13 x 52 Gr 5
539 30 03-04	P1	Pin, Pivot	542 02 03-77*	M	Capscrew, Hx Hd, 3/8-16 x 1-1/2
539 30 03-06	P1	Soc Hd Set Screw, 10-32 x 1/4	542 02 04-01*	E	Screw, #4-40 x .75
539 30 03-10	U1,V1	Adapter, 90° El 6 SAE x 6 JIC	542 02 05-87*	E,P1	HWHSTS, 10-24 X .375 Type F SL
539 30 04-40	Q1	Cap, Bolt	542 02 06-16*	N1,N3	Pin, Cotter .125 x 1.50
539 30 10-03	H	Pointer, Depth Indicator	542 02 07-39*	Q1	Washer, Flat #10
539 30 11-53	H	Switch, Depth Stop	542 02 07-45*	I	Washer, Flat 1/2 Dia
539 30 13-66	H	Nut, Lock 6-32 Nyloc	542 02 07-47*	S	Washer, Flat, 5/8 Dia
539 30 13-67	H	RHMS, 6-32 X 1 Slotted	542 02 07-64*	X	Washer, Flat 3/8 SAE
539 97 69-34	V1	Capscrew, Hx Hd 5/16-18 x 3/4 Gr5	542 02 07-66*	M	Washer, Flat 1/2 SAE
539 97 69-79	H	Nut, Hex 3/8-16	542 02 07-67*	B,C,Q1,S,X2	Washer, Flat 5/8 SAE
539 99 00-52	V1	Washer, Lock 1/4, S/T	542 02 07-77*	A	Lockwasher, 5/16 Hi-Collar
539 99 00-55	B,P1	Washer, Flat 1/4	542 02 07-85*	X2	Washer, Lock, Split .3125 (M8)
539 99 00-71	V1	Capscrew, Hx Hd 1/4-20 x 1/2 Gr5	542 02 07-90*	S	Lockwasher, 5/8 Split
539 99 01-18	P1,Q1,V1	Washer, Lock 3/8, S/T	542 02 08-64*	X1,X2	Plug, Soc Hd 1/8 NPT Brass
539 99 01-22	H	Washer, Flat 3/8 SAE	542 02 08-90*	M	Sash Cord, 1/4 Dia #85 (10 Ft)
539 99 01-34	P1	Capscrew, Hx Hd, 3/8-16 x 3/4 Gr5	542 03 08-22*	C,H	Pulley w/ Stud
539 99 01-87	P2, V1	Washer, Lock 5/16, S/T	542 03 23-66*	C,H	Nut, KEPS 5/6-18
539 99 01-88	A	Flatwasher, 5/16 SAE	542 04 02-75*	X1,X2	Adapter, 3/8 NPT x 3/4MGH
539 99 02-50	Q2	Washer, Flat 1/2 SAE	542 04 03-30*	D	Spring,
539 99 02-54	C,Q2	Washer, Lock 1/2	542 04 11-75*	O1	Fitting, Grease
539 99 03-33	Q1	Washer, Lock 5/8	542 04 32-03*	M	Clamp, OETIKER 1/2"
539 99 05-55	P1	Pin, Cotter 3/32 x 1/2	542 04 32-60*	O1	Collar, Set 1" Mod
539 99 05-63	Q1,V1	Capscrew, Hx Hd 3/8-16 x 1 Gr5	542 04 36-91*	D	Spring, DPT/IND 3/16 x 16-3/8
539 99 06-37	H	Capscrew, Hx Hd 3/8-16 x 2-1/2 Gr5	542 04 56-40*	J	Washer, Filter
541 20 04-83	Q1	Clamp, Muffler	542 04 56-42*	J	Washer, Swivel-Filter 1/2"NPT x 3/4 GH
541 20 05-33	H	Bearing Flange, AF2436	542 04 61-28*	X1,X3	Decal: Warning (Bld Grd Size)
541 20 09-89	W	Gauge, Air Flow Restriction	542 04 64-02*	O1	Washer, Flat 1.03125
541 20 15-93	E	Switch, E-Track Control	542 04 64-25*	M	Washer, Bowed
541 20 15-95	Y	Fuse, 15 Amp	542 04 70-91*	C	Rear Pointer
541 20 16-61	E	Circuit Breaker, 25 Amp	542 04 71-62*	O1	Bearing, Pillowblock 1.25
541 20 19-09	S	V-Belt 3VX500 4-Band	542 04 91-54*	X2,X3	Hinge 4" Width Z/P
541 20 20-61	H	Pulley, Depth Indicator	542 04 91-96*	X2,X3	Manifold, Water
541 20 45-91	Y	Fitting, Pipe Str Elbow, 3/4"	542 04 92-06*	X2,X3	Gasket, Manifold
541 20 45-91	Y	Fitting, Pipe Str. Elbow, 3/4"	542 04 92-12*	X2,X3	Clamp, Water Tube
541 20 46-61	Y	Fitting, 3/4 MGH x 3/4 FPT	542 05 21-20*	Z	Switch, Toggle 2X464
541 20 46-72	T	Fitting, Pipe Coupling, 1/8"	542 09 05-52*	Y,Z	Plate, Switch
541 20 47-56	A,U2	Fitting, Hydr Str 6JIC x 6SAE	542 0A 77-17*	Z	Inst Sht: Dual Work Light Kit
541 20 47-68	U1,V1	Fitting, Hydr 90° Elbow 4JIC x 6SAE	542 11 01-02*	T	Fitting, Grease 1/4 -28
541 20 48-06	U1	Adapter 90° Elbow 8SAE x 6JIC	542 11 71-94*	F,G	Handle Bar, 1"
541 20 48-55	J,P1	Fitting, 3/4GH x 1/2MPT	542 13 64-76*	W	Hose Clamp, Worm Drive SAE 64
541 20 48-70	P1	Fitting, 1/2H x 1/2MPT	542 13 90-21*	J	Valve, Apollo 1/2" #711-103
541 20 48-85	C,Q2	Capscrew, Hx Hd, 1/2-13 x 4-1/2 Gr 5	542 13 95-68*	F,G	Grips, Handle
541 20 49-11	V1	Fitting, Cap - 6JIC	542 13 96-49*	P1	Adapter, 1/2 NPT x 3/8 NPTF
541 20 49-25	T	Fitting, Pipe Nipple, 1/8" x 2-1/2"	542 13 97-38*	X2,X3	Locknut, Fiber M8-1.25
541 20 49-83	V1	Fitting, Hydr Run Tee - 6JIC	542 13 97-41*	C	Capscrew, Hx Hd, M12- .75 x 30
541 20 49-91	N1,N3	Fitting, Hydr Str Adapter 10SAE-6JIC	542 13 97-42*	I,N1,R,X1,Z	Locknut, Fiber M12-1.75
541 20 50-11	O2,V1	Fitting, Hydr Str Adapter 4SAE-4JIC	542 13 97-45*	I,X1,X2,X3	Locknut, Fiber M6-1.0
541 20 52-88	C	Nut, 1/2-20, Hex NYLOCK	542 13 97-46*	X1,X2,X3	Washer, Flat M6
541 20 53-01	M	Capscrew, Hx Hd, M16-2.00 x 80	542 13 97-49*	C	Capscrew, Hx Hd M10-1.5 x 25
541 20 66-91	Q1	Clamp, Exhaust 3.3 Turbo	542 13 97-51*	R,X1,X2	Capscrew, Hx Hd M12-1.75 x 25
541 20 68-88	S,T	Flange, Inner 5" Dia, 18"-26"-30"	542 13 97-59*	X1	Capscrew, Hex Hd M6-1.0 x 45
541 20 69-43	P1	Flywheel Coupling Assy	542 13 97-60*	X2,X3	Machine Screw, Flat Hd, M6x20
541 20 80-04	T	Bladeshaft Tube	542 13 97-61*	X1,X2,X3	Capscrew, Hex Hd M6-1.0 x 20
541 20 80-10	T	Flange End Cover	542 16 01-72*	D,P1	Cable, Throttle
541 20 80-22	T	O-Ring -044	542 16 01-96*	M	Pointer, Rod
542 02 00-49*	F	Clamp, Hose SAE004	542 16 03-93*	Q1,Q2,S	Washer, Flat 1-3/4OD x 11/16 x 5/16
542 02 00-50*	R	Hose Clamp SAE32	542 16 07-04*	D, P1	Petcock, 1/4" NPT
542 02 01-30*	E	Nut, Hex, #4-40	542 16 24-96*	U1	SHCS, .25-20 x 3/4 GR8
542 02 01-32*	E	Nut, Hex, #10-24	542 16 30-72*	M	Pointer, Front - Blk

NOTE: Part No's. that have an ASTERISK (*) suffix may not be active 9-digit numbers. The '542' prefix have been added to current 6-digit part numbers and '0' to 8-digit part numbers.

PART NO.	POS.	DESCRIPTION	PART NO.	POS.	DESCRIPTION
542 16 30-72*	M	Pointer Weldm't, Front - Blk	542 16 68-46*	X1	Tube, Water, 36" Blade Guard
542 16 31-86*	I	Bushing, Brass	542 16 68-54*	E	Key, Ignition Set/2
542 16 31-88*	X	Spring, .36" OD x .050 Dia Wire	542 16 68-55*	E,Y,Z	Fuse, 10A Push In
542 16 32-45*	F,G	Grommet, 5/8" I.D.	542 16 68-57*	E	Blade Fuse, 5A
542 16 32-72*	S,T	Flange, Outer w/Pin - 6" QDS, 36"	542 16 68-78*	E	Screw, Pan Hd Slf Tap #10-24 x 1" F
542 16 32-75*	X1,X2,X3	Splash Guard	542 16 68-80*	W	Adaptor, Restriction Indicator
542 16 32-81*	S	Wrench, 15/16" Open End	542 16 68-91*	E,I	Locknut, Fiber, #10-32
542 16 33-19*	V2	Valve, Check Cart.	542 16 69-07*	P1	Valve, Oil Drain
542 16 33-21*	V2	Valve, Adj. Relief	542 16 69-42*	X3	Tube Assy, Water, 48" Blade Guard
542 16 33-24*	V2	Cap, Filler-Breather	542 16 69-83*	P1	Fan, Radiator 17" Dia
542 16 33-26*	V2	Strainer, Pump	542 16 69-85*	X1	Tube, Water, 26" Blade Guard
542 16 33-50*	V2	Spring, Valve	542 16 69-86*	X1	Tube, Water, 18" Blade Guard
542 16 33-51*	V2	Kit, Spool	542 16 70-35*	N2,O2	Pin, Cotter Hair Spring 1/2-5/8
542 16 33-95*	X1	Clamp, Water Tube	542 16 71-25*	Q1	Eye Nut, Saw Tie-down
542 16 34-85*	S	Pin, Dowel 3/8" Dia x 1.75"	542 16 72-98*	X1,X2,X3	Decal: Blade Guard Caution
542 16 34-87*	S	Screw, Hx Hd 5/8-11 x 3-1/2 Gr8 R.H.	542 16 74-31*	C,N1	Capscrew, Hx Hd, M12-1.75 x 65
542 16 34-88*	S	Screw, Hx Hd 5/8-11 x 3-1/2 Gr8 L.H.	542 16 74-47*	Q1,Q2	Capscrew, Hx Hd, M16-2.0 x 45
542 16 35-82*	M	Wheel, 5"	542 16 74-48*	Q1,X2	Locknut, Fiber M16 x 2.0
542 16 36-72*	G,L	Grommet, 3/4 I.D.	542 16 74-49*	B	Eyebolt, M6 x 1.0 x 50mm OAL
542 16 36-88*	G,I	Capscrew, Hex Hd M6 x 1.0 x 16mm	542 16 74-78*	X2	Capscrew, Hex Hd M8 x 1.25 x 25
542 16 36-89*	G,X1	Washer, Lock M6 Split	542 16 74-83*	I	Capscrew, Hex Hd M6 x 1.0 x 35
542 16 39-77*	B	Chain Loop, Tie-down -	542 16 74-91*	B	SHCS, CSK M10 x 1.5 x 25
542 16 39-86*	X1,X2,X3	Decal: Blade Direction - LH	542 16 75-03*	X1	Bolt, Latch Pivot M8 x 1.25
542 16 42-97*	O1	Fitting, Grease	542 16 75-32*	X3	Capscrew, Hx Hd, M12-1.75 x 140
542 16 43-70*	N2,N4,Y	Terminal Tab, Insulated Push On, Male	542 16 75-51*	X3	Capscrew, Hex Hd M6 x 1.0 x 40
542 16 46-32*	N1,N3,S	Key, Woodruff (ANSI #808)	542 16 75-55*	A,B,C,D,F,G,J,L	M8 x1.25 Multi-Thread "U" Nut
542 16 49-54*	U1	Screw, Soc Hd M10x1.5x25 Lo Hd Gr8	542 16 77-61*	X1	Capscrew, Hex Hd M5-0.8 x 20
542 16 49-68*	C,Q1	Screw, Hx Hd M10x1.5x50 DIN933	542 16 78-18*	X1	Capscrew, Slot Flat Hd M6-1.0 x 16
542 16 60-38*	F,G,Z	Knob, 1.25 x 3/8-16UNC 2A	542 16 78-24*	X1	Hinge, 2" Width
542 16 61-21*	V2	Starter Switch - 12VDC	542 16 79-25*	C	FHCS, M8-1.25 x 30mm Full Thread
542 16 62-21*	E	Hour Meter	542 17 20-11*	X1	Nut, Hex Hd M5-0.80
542 16 63-07*	S,T	Flange, Outer w/Pin - 5" QDS, 18"-30"	542 17 20-17*	B,X2,X3	Nut, Hex M6
542 16 63-51*	P1,P2	Bearing 6305-2RS	542 17 20-27*	X2,X3	Nut, Hex M8
542 16 63-52*	Q1,Q2	Isolator, Engine	542 17 20-28*	X2,X3	Capscrew, Hex Hd M8 x 1.25 x 16
542 16 63-56*	C,Q1	Capscrew, Hx Hd M16 x 2.0 x 100	542 17 23-46*	U1	Capscrew, Hx Hd, M5-0.8 x 25
542 16 63-59*	E	Temp Gauge	542 17 23-56*	Y,Z	Capscrew, Hx Hd, M12 x 1.75 x 16
542 16 63-62*	S	V-Belt 3VX450 4-Band	542 17 25-01*	B	Capscrew, Hx Hd, M10-1.5 x 110
542 16 63-63*	S	V-Belt 3VX430 4-Band	542 17 30-09*	C,O1	Nut, Hex M12
542 16 63-65*	S	Pulley, 4.75" Gearbox, 18"	542 17 30-19*	X1,X2,X3	Lockwasher, External Tooth, M8
542 16 63-66*	S	Pulley, 3.65" Gearbox, 30"-36"-42"	542 17 30-47*	Y	Washer, Flat M5
542 16 63-68*	Q1	Capscrew, Hx Hd M16 x 2.0 x 90	542 17 30-59*	X1,X2,X3	Washer, Flat M8
542 16 63-93*	R	Cap, Radiator, 10psi	542 17 46-79*	F,G	Lever, Adjustable
542 16 64-00*	B	Brkt, Support - Engine Rear - Blk	542 17 47-40*	Y	Hose Clamp, Worm Drive SAE 6
542 16 64-13*	F	Tank, Coolant Recovery	542 17 49-86*	Y	Hose Clamp, Worm Drive SAE12
542 16 64-18*	Q1	Washer, Flat 2.8 x .657 x .188	542 17 63-83*	E	E. Stop
542 16 64-22*	C	Capscrew, Hx Hd, .5-13 x 4.75 Gr 5	542 17 63-98*	I	Switch Neutral Safety
542 16 64-22*	C	Capscrew, Hx Hd .5-13 x 4.75 Gr5	542 17 69-94*	I	Speed Control/Shift Frame
542 16 64-38*	E	Voltmeter	542 17 69-96*	I	Arm, Shifter Pivot
542 16 64-42*	Q1	Support, Engine Rear	542 17 69-98*	I	Shift Pivot Point
542 16 64-48*	V1	Filter Head	542 17 70-56*	Y,Z	Terminal, Wire 1/4" (16-14Ga)
542 16 64-49*	V1	Filter, Spin-On	542 17 72-39*	N2,N4	Pin, Rue Ring 1/2" Dia
542 16 64-59*	D	Filter, Radiator	542 17 86-87*	Y	Fitting, 3/4 MGH x 3/4 MPT
542 16 64-66*	I	Rod End, #10-32UNF	542 17 87-24*	J	Switch, Pressure, N.O.
542 16 64-80*	S	Washer, Flat 1.030 x 2.25	542 18 00-23*	V2	Screen, Filter
542 16 64-91*	F,G	Set Collar, 1" I.D.	542 18 10-09*	M	Nut, Hex Jam M16-2.00
542 16 65-94*	V2	Coil, Solenoid - 12VDC	542 18 10-39*	I	Washer, Friction .656ID
542 16 66-22*	E	Fuse Block	542 18 10-65*	P1	Relay, Solenoid
542 16 66-24*	D	Fastener, Tufflock	542 18 11-17*	Z	Kit, Light (optional)
542 16 66-25*	I	Handle, Control	542 18 11-18*	Z	Support Tube: PC BLK
542 16 66-29*	S	V-Belt 3VX465 4-Band	542 18 11-20*	Z	Support Bar: PC BLK
542 16 66-30*	R	Hose Clamp, Worm Drive SAE24	542 18 11-24*	Z	Grommet: 3/16"
542 16 66-40*	M	Bracket, Front Pointer Mounting - Blk	542 18 11-26*	Z	Wire Assy: 36" x 16 GA - BLK
542 16 66-72*	P1	Clamp, Vinyl Coated 1/4 x 5/16	542 18 11-27*	Z	Wire Assy: 16" x 16 GA - BLK
542 16 66-85*	P2	Rotor Assy, Electric Clutch	542 18 11-78*	B	J-Bolt: .25-20 X 9.0
542 16 67-07*	E	Key Switch	542 18 12-06*	O2	Orifice, Disc 0.031"
542 16 67-08*	E	Relay	542 18 13-61*	F	Grommet, 7/16 I.D.
542 16 67-50*	X1	Manifold, Water	542 18 20-95*	I	Bracket, Mounting
542 16 68-15*	X1	Tube, Water, 30" Blade Guard	542 18 20-96*	I	Plate, Cover
542 16 68-16*	X1	Latch, Blade Guard, Slip-on	542 18 20-99*	I	Terminal, Solder
542 16 68-37*	X3	Bracket, 48" Brace - PC Blk	542 18 21-02*	I	Switch, Toggle

NOTE: Part No's. that have an ASTERISK (*) suffix may not be active 9-digit numbers. The '542' prefix have been added to current 6-digit part numbers and '0' to 8-digit part numbers.

PART NO.	POS.	DESCRIPTION	PART NO.	POS.	DESCRIPTION
542 18 21-15*		Toggle Switch Assy	542 19 88-15	E	Blade Fuse, 30A
542 18 21-46*		Boot, Half-Toggle Switch	542 19 88-32	A	Frame Weldment, FS6600
542 18 22-18	E	Tachometer	542 19 88-36	N3	Axle Weldment, Rear
542 18 22-19	E	Switch (Rocker)	542 19 88-42	N1,N3	Wheel, Rear 10" Dia x 3"
542 18 22-20	E	Switch, Clutch On-Off	542 19 88-43	N1,N3	Wheel Hub
542 18 22-22	E	Harness, Engine - P1	542 19 88-56	T	Bladeshaft, FS6600 Tapered
542 18 22-23	E	Harness, Cowl - P2	542 19 88-58	S,T	Pulley, 4.75" Taprd Bldshaft, 26"-30"
542 18 22-28	H	Harness, Depth Stop	542 19 88-64	S,T	Flange, Inner 6" Dia, 36"
542 18 30-01*	I	Iglide Bushing	542 19 88-65	S,T	Pulley, 5.6" Tapered Bladeshaft, 36"
542 18 30-06*	V2	Valve, Cart. Solenoid	542 19 88-66	S,T	Pulley, 4.12" Tapered Bladeshaft, 18"
542 18 31-06*	K	Cap, Fuel	542 19 88-78	N1,N3	Wheel Motor, Parker
542 18 31-24*	I	Spring Washer, Bellville Disc	542 19 88-90	U1	Aux Pump Adapter Plate
542 18 31-37*	I	Bracket, Neutral Safety Switch	542 19 89-00	P1	Capscrew - Flywheel
542 18 31-54*	I	Capscrew, Hex Hd .375-16UNC Spcl	542 19 89-15	A,U2	Bypass/Counterbalance Valve
542 18 33-96*	M	Front Pointer Comp.	542 19 89-16	O2	Valve, Needle - Lift Cyl
542 18 35-30*	P1	Fitting, Elbow - Oil Drain	542 19 89-17	U2	Valve, Needle - Bypass
542 18 39-98*	X1	Lanyard, Nylon Coated SS	542 19 89-20	N2	Steerlink
542 18 39-99*	X1	Drive Screw #10x.25 Lg	542 19 89-24	N2	Actuator Pivot Bracket
542 18 44-56*	R	Gasket, Rockford Pump	542 19 89-27	A	Grommet 1/2 x 1.25
542 18 84-36*	E	Indicator Light, Red	542 19 89-32	O2	Pin, Pivot 3/4" Dia x 2-1/4"
542 19 04-33	N1,N3	Hub Assy w/ Bearings & 1 Seal	542 19 89-34	O2	Mounting Block
542 19 10-82*	W	Air Cleaner 8" - Compl	542 19 89-35	O2	Cylinder, Hydr Lift FS6600
542 19 11-14*	W	Housing, Air Cleaner	542 19 89-36	O1	Cylinder Pin, Front
542 19 11-15*	W	Element, Primary	542 19 89-40	P1	Spacer, Fan JD 5-Cyl
542 19 11-16*	W	Element, Safety	542 19 89-42	P1	Flywheel - Mod.
542 19 11-18*	W	Valve, Air Cleaner	542 19 89-43	P1,P2	Spacer, Pilot Bearing
542 19 11-42*	X1	Kit, Blade Guard Latch	542 19 89-49	U1	O-Ring -042
542 19 13-16*	P1	Hose, Oil Drain x 20"	542 19 89-53	P2	Snap Ring, 1.375 Shaft
542 19 14-29*	T	Bearing 209PP	542 19 89-59	D	Radiator Assy FS8400
542 19 17-70*	O1	Wheel Assy, w/ Ball Bearing, 3 X 8	542 19 89-60	D	Radiator, 4-Row, 1-Pass FS8400
542 19 18-46*	P1	Breather, 3/8" NPT	542 19 89-61	U1	Bushing G 15 MM
542 19 18-94*	H	Cable Assy	542 19 89-62	P1	Engine, JD 4-Cyl
542 19 18-95*	S	Pulley, 4.12" Gearbox, 26"	542 19 89-63	P1	Engine, JD 5-Cyl
542 19 19-43*	S	Flange, Outer 8" Dia, 48"	542 19 89-64	U1	Gear JD Aux Drive w/ Ctr.Bor.
542 19 19-62*	B,C,Q1,X2	Washer, Lock, Split M16 DIN 127	542 19 89-65	N1,N3	Swivel, M12 x 1.75
542 19 19-63*	T	Vent Plug 1/8 NPT	542 19 89-68	O1	Cylinder, Hydr Lift FS8400
542 19 51-27*	X1	Hinge, Blade Guard, 3"	542 19 89-75	P2	Armature Assy, Modified 1000
542 19 59-24	D	Latch, Radiator Filter Secure	542 19 89-76	U1	Hydro Pump, Parker H1
542 19 59-72	D	Kit, Radiator Filter Secure	542 19 89-81	N3,N4	Pad, Axle Slide (Square)
542 19 66-29	S	V-Belt 3VX435 4-Band	542 19 89-91	U1	Speed Control, Hydro
542 19 71-01*	Y,Z	Cable Tie, Plastic 8 In X .094	542 19 89-96	B	Actuator Shield
542 19 71-70*	X1,X2,X3	Wing Bolt, M6 x 1.0 x 16 mm	542 19 90-08	Q1	Arm, Engine Mount JD 4-Cyl
542 19 72-27*	X1	Capscrew, Hex Hd M8 x 1.25 x 20	542 19 90-12	K	Fuel Tank
542 19 80-77*	B	Battery Group 48	542 19 90-16	L	Angle
542 19 80-78*	B	Battery Hold Down Group 48	542 19 90-17	G	Handlebar Mount R.H.
542 19 81-63*	X1	Blade Guard Assy, 18" Gray w/Decals 2"	542 19 90-18	F	Handlebar Mount L.H.
542 19 81-64*	X1	Blade Guard Assy, 26" Gray w/Decals	542 19 90-21	L	Insulator, Rubber w/o Holes
542 19 81-65*	X1	Blade Guard Assy, 30" Gray w/Decals	542 19 90-26	C	Assy, Radiator Mount
542 19 81-66*	X1	Blade Guard Assy, 36" Gray w/Decals	542 19 90-29	A	Insulator, Rubber w/ Holes
542 19 81-67*	X3	Blade Guard, Rear - 48" PC Gray	542 19 90-31	E	Instrument Panel Weld't - PC Gray
542 19 81-69*	X1	Blade Guard, Rear - 18" PC Gray 2"	542 19 90-35	L	Front Cowling Weldm't - PC Gray
542 19 81-70*	X1	Blade Guard, Front - 18" Gray 2" Decals	542 19 90-38	E	Instrument Panel Cover - PC Gray
542 19 81-71*	X1	Blade Guard, Rear - 26" PC Gray	542 19 90-39	J	Insulator, Rubber
542 19 81-73*	X1	Blade Guard, Rear - 30" PC Gray	542 19 90-40	D	Weldment, Top Cover
542 19 81-75*	X1	Blade Guard, Rear - 36" PC Gray	542 19 90-44	T	Capscrew, Hx Hd M8 x 1.25 x 75 8.8
542 19 81-77*	X2	Bld Grd, Rear - 48" PC Gray	542 19 90-45	S	Key, Round Ends 1/4 x 2-1/2
542 19 81-82*	X1	Blade Guard, Front - 26" Gray w/ Decals	542 19 90-47	F	Side Cowling Weldm't, L.H. - PC Gray
542 19 81-83*	X1	Blade Guard, Front - 30" Gray w/ Decals	542 19 90-49	G	Side Cowling Weldm't, R.H. - PC Gray
542 19 81-84*	X1	Blade Guard, Front - 36" Gray w/ Decals	542 19 90-53	A,B,C,D,F,G,J,L	Bolt, Hx Wshr Hd M8-1.25x25 Dog Pt
542 19 81-85*	X3	Blade Guard, Front - 48" Gray w/ Decals	542 19 90-53	N1-4,O1,P2,U1	Bolt, Hx Wshr Hd M8-1.25x25 Dog Pt
542 19 81-86*	X3	Bld Grd & Hinge Assy 48"-Gray w/ Decal	542 19 90-55	Q1	Arm, Engine Mount JD 5-Cyl
542 19 81-87*	X3	Latch, Blade Guard 48" - Gray	542 19 90-57	O1	Front Axle Weldment, FS6600
542 19 81-88*	X1	Cover, Blade Shaft - PC Gray CE	542 19 90-68	Q1	Flange, Adapter
542 19 85-27	D	Radiator, 3-Row, 3-Pass FS6600	542 19 90-79	W	Hose, Air Intake FS6600
542 19 85-38	B	Spade, Blade Guard, R.H. Black	542 19 90-82	Q1	Muffler
542 19 85-40	B	Spade, Blade Guard, L.H. Black	542 19 90-83	Q1	Bracket, Muffler
542 19 87-78	X1	Blade Guard Assy, 18" Gray w/Decals	542 19 90-93	V1	Bracket, Filter - Lift Pump
542 19 87-79	X1	Blade Guard, Rear - 18" PC Gray	542 19 90-96	V1,V2	Pump, Hydraulic Lift
542 19 87-80	X1	Blade Guard, Front - 18" Gray w/ Decals	542 19 90-97	B	Battery Tray
542 19 88-12	P1	Spacer, Fan JD 4-Cyl	542 19 91-00	A	Frame Weldment FS8400

NOTE: Part No's. that have an ASTERISK (*) suffix may not be active 9-digit numbers. The '542' prefix have been added to current 6-digit part numbers and '0' to 8-digit part numbers.

PART NO.	POS.	DESCRIPTION	PART NO.	POS.	DESCRIPTION
542 19 91-07	J	Cowling, Rear Weldment - PC Gray	542 19 93-87	P2	Hub, Clutch Drive
542 19 91-11	W	Hose, Air Intake FS8400	542 19 93-90	X2	Blade Guard Assy, 42" Gray w/Brace
542 19 91-24	J	Fitting, Parker, 2107-8-8-S	542 19 93-91	E	Decal, Instrument Panel
542 19 91-25	J	Fitting, Parker, 1/2 CR-S	542 19 93-96	P2	Field Coil, Warner 1000 w/ Leads
542 19 91-26	J	Fitting, Parker, 1/2 MMO-S	542 19 94-01	P1	Engine w/ Flywheel Mod JD 4-Cyl
542 19 91-27	J	Fitting, Parker, 1/2 CD45-S	542 19 94-04	Q1	Bracket, Lift Bail
542 19 91-28	X1,X2,X3	Spring for 3" Wide Blade Guard	542 19 94-06	Q1	Frame, Lift Bail - FS6600
542 19 91-34	Q1	Frame, Lift Bail - FS8400	542 19 94-10	P1	Engine, 4 Cyl, John Deere
542 19 91-36	L	Angle, Radiator Mount, 4 Row PC Blk	542 19 94-14	U2	Valve, C-Balance
542 19 91-38	N2,N4	Actuator, 40mm Stroke	542 19 94-19	Q1	Capscrew, Hx Hd, M16 x 2.0 x 65
542 19 91-39	A	Shield, Alternator	542 19 94-20	E	Washer, Lock, Split, #4
542 19 91-44	D	Bracket, Shield Mount	542 19 94-25	D,E	Instrument Panel Assy - PC Gray
542 19 91-46	B	Sheave Guard, R.H.	542 19 94-26	N1,N3	Nut, Castle 1-14 UNF
542 19 91-50	Q1	Mount, Engine	542 19 94-27	N1,N3	Washer, 1" Bearing Spacer
542 19 91-60	S,T	Pulley, 6.4" Tapered Blad shaft, 42"	542 19 94-51	I	Speed Control Compl
542 19 91-67	Q1	Bracket, Speed Control	542 19 94-53	D	Radiator Assy FS6600
542 19 91-69	D	Bracket, Throttle	542 19 94-60	P1	Filter, Oil
542 19 91-79	B	Angle, Belt Guard Mount	542 19 94-61	P1	Element, Fuel Filter
542 19 91-83	I	Cable, Push-Pull	542 19 94-66	T	Blade Shaft Assy, FS6600 18" Compl
542 19 91-84	J	Hanger, Hose	542 19 94-67	T	Blad shaft Assy, FS6600 26/30" - compl
542 19 91-86	P1	Bracket, Throttle Cable	542 19 94-69	T	Blad shaft Assy, FS6600 36" - compl
542 19 91-92	V1	Bracket, Pump Mount	542 19 94-70	T	Blad shaft Assy, FS6600 42" - compl
542 19 91-94	A	Sheet Engine, Guard FS6600 L.H. Blk	542 19 94-75	N2,N4	Brkt, Actuator Pivot, Long Blk
542 19 91-95	A	Sheet Engine, Guard FS6600 R.H. Blk	542 19 94-78	F	Hose, Radiator Overflow
542 19 92-02	H	Bracket, Depth Indicator	542 19 94-79	Q1	Capscrew, Hx Hd, M16 x 2.0 x 35
542 19 92-05	G,H	Depth Indicator	542 19 94-80	P2	Bushing, Rubber 1/2"ID x 3/4"OD x 3/4"
542 19 92-07	A	Bracket Weldment	542 19 94-81	P1,S	Gearbox Model, Superior
542 19 92-10	K	Draw Tube, Fuel Line Weldment	542 19 94-89	N1	Rear Axle, Black
542 19 92-17	D	Shroud, Radiator	542 19 94-92	N1	Slider Pad, 2.5 X 5 X .25
542 19 92-22	I	Handle & Switch Assy	542 19 94-93	N1	Axle Pivot Part
542 19 92-30	I	Tube, Speed Controller,	542 19 94-94	N2,N4	Actuator, 40mm Stroke.
542 19 92-35	K	Fitting, Elbow 5JIC x 6SAE	542 19 94-95	O1	Front Axle Weldment, FS8400
542 19 92-36	K	Fitting, 5JIC37/45°SAE Sw x 5/16H	542 19 95-02	S	V-Belt 3VX435 4-Band
542 19 92-37	R	Radiator Hose, Suction	542 19 95-08	A	Sheet Engine, Guard FS8400 R.H. Blk
542 19 92-39	N2,N4	Pin, 12mm	542 19 95-30	S	Pulley, 10G3V 3.65 Gearbox 30-48"
542 19 92-41	N2,N4	Pin, 10mm	542 19 95-31	S	Pulley, 10G3V 4.13 Gearbox 26"
542 19 92-43	Q1	Exhaust Elbow, 90°	542 19 95-32	S	Pulley, 10G3V 4.75 Gearbox 18"
542 19 92-45	B	Spacer, Spade	542 19 95-33	S,T	Pulley, 10G3V 4.12 Blad shaft 18"
542 19 92-47	J	Bracket, Water System	542 19 95-34	S,T	Pulley, 10G3V 4.75 Blad shaft 26-30"
542 19 92-51	R	Bracket, Radiator Fill Mount	542 19 95-35	S,T	Pulley, 10G3V 5.60 Blad shaft 36"
542 19 92-55	R	Neck, Radiator Fill	542 19 95-36	S,T	Pulley, 10G3V 6.90 Blad shaft 48"
542 19 92-57	R	Clamp, Support	542 19 95-53	P1	Engine w/ Flywheel Mod JD 5-Cyl
542 19 92-72	R	Radiator Hose, Return, Upper	542 19 95-54	S	V-Belt 3VX430 5-Band
542 19 92-73	R	Radiator Hose, Return, Lower	542 19 95-55	N1	Rear Axle Assy, FS6600/FS8400
542 19 92-77	B	Sheave Guard, L.H.	542 19 95-56	C,O1	Front Axle Assy, FS8400
542 19 92-80	B	Belt Guard, R.H., Superior Black	542 19 95-59	D	Radiator Assy FS8400
542 19 92-82	B	Belt Guard, L.H., Superior Black	542 19 95-66	W	Hood, Air Inlet
542 19 92-84	B	Flange Guard, 5"	542 19 95-68	S	V-Belt 3VX435 5-Band
542 19 92-86	B	Flange Guard, 8"	542 19 95-73	X2	Kit, Attachment Blade Guard 48"
542 19 93-08	C	Wheel Bracket	542 19 95-74	X2	Brace, Blade Guard
542 19 93-17	S,T	Flange, Inner 7" Dia, 42"	542 19 95-80	T	Blad shaft Assy, FS8400 18" - compl
542 19 93-31	S,T	Flange, Inner 8" Dia, 48"	542 19 95-81	T	Blad shaft Assy, FS8400 26/30" - compl
542 19 93-34	N4	Rear Steering Axle Assy	542 19 95-82	T	Blad shaft Assy, FS8400 36" - compl
542 19 93-41	C	Front Axle Assy	542 19 95-83	T	Blad shaft Assy, FS8400 48" - compl
542 19 93-42	C,S,T	Blade Shaft Tube Assy	542 19 95-91	X2	Blade Guard, Rear 42" Gray
542 19 93-50	R,U1	Hydr Pump Assy	542 19 95-91	X2	Blade Guard, Rear - 42" PC Gray
542 19 93-51	R	SFCS, M12 X 1.75 X 30mm	542 19 95-97	X2	Blade Guard, Front 42" Gray
542 19 93-52	U1	Key, 5mm Sq. x 25mm	542 19 96-03	X2	Water Tube Assy, 42"
542 19 93-53	N1,N3	Hose Assy, 6FJ90° x 6FJ90° x 21"	542 19 96-03	X2	Tube Assy, Water, 42" Blade Guard
542 19 93-54	N1,N3	Hose Assy, 6FJ90° x 6FJ90° x 31"	542 19 96-19	X2	Shaft Cover, 42" CE Gray
542 19 93-55	N1,N3	Hose Assy, 6FJ90° x 6FJ x 15"	542 19 96-24	X2	Water Tube, 42"
542 19 93-56	U2	Hose Assy, 6FJ90° x 14.5	542 19 96-24	X2	Tube, Water, 42" Blade Guard
542 19 93-57	V1	Hose Assy, 6FJ90°L x 6JFSw x 12"	542 19 96-26	Y	Kit, Water Pump (optional)
542 19 93-58	V1	Hose Assy, 4JFStr x 4JF90° x 22.5"	542 19 96-31	X2	Blade Guard Assy 42" Gray w/ Decals
542 19 93-59	V1	Hose Assy, 4FJ x 4FJ90° x 54"	542 19 96-32	X2	Blade Guard, Front - 42" Gray w/ Decals
542 19 93-60	V1	Hose Assy, 6JFStr x 6JFSw x 12-1/2"	542 19 96-37	Y	Water Pump Assy
542 19 93-61	P1	Switch, Engine Coolant Temperature	542 19 96-38	Y	Pump & Motor Body
542 19 93-65	P1	Mount, Glow Plug Relay	542 19 96-39	Y	Port, Inlet 1/2 Hose Barb-Quad
542 19 93-78	S,T	Flange, Outer w/Pin - 7" QDS, 42"	542 19 96-40	Y	Grommet, Isolator
542 19 93-79	P1	Assy, Oil Drain FS6600	542 19 96-41	Y	Filter Assy

ConstructionParts.com

888-634-4289

NOTE: Part No's. that have an ASTERISK (*) suffix may not be active 9-digit numbers. The '542' prefix have been added to current 6-digit part numbers and '0' to 8-digit part numbers.

PART NO.	POS.	DESCRIPTION	PART NO.	POS.	DESCRIPTION
542 19 96-43	Y	Filter Strainer Screen			
542 19 96-45	Y	Water Pump mounting			
542 19 96-46	Y	Plate, Water Pump Mount			
542 19 96-48	Y	Switch, Toggle, Single Pole			
542 19 96-49	Y	Boot, Switch			
542 19 96-52	Y	Bracket, Water Pump Inlet			
542 19 96-56	P1	Starter - JD 12V (2.2 kw)			
542 19 96-57	Y	Hose Assy, 1/2" MGH			
542 19 96-58	Y	Hose Assy, 3/4" FGH Swivel			
542 19 96-60	D	Bracket, Throttle Cable			
542 19 96-71	Y	Electrical Cord Assy, Water Pump			
542 19 96-75	B	Spade, Slip-On, Low Shaft - LH			
542 19 96-77	D	Lanyard, 24" Nylon-coated			
542 19 96-80	B	Spade, Slip-On, Low Shaft - RH			
542 19 96-82	X2	Brace Bracket, Blk			
542 19 96-84	X2	Brace, Front, Blk			
542 19 96-91	B,C,X2	Capscrew, Hx Hd M16 x 2.0 x 140			
542 19 96-92	C	Spacer Block, Blade Shaft - 1.5"			
542 19 96-94	B	Sheave Guard, Low Shaft - RH Blk			
542 19 96-96	B	Sheave Guard, Low Shaft - LH Blk			
542 19 97-00	S	V-Belt 3VX465 5-Band			
542 19 97-15	X2	Blade Guard Latch Grp 42"			
542 19 97-42	T	Bladeshaft Assy, FS8400 42" - compl			
542 19 97-46	S,T	Pulley, 10G3V 6.40 Bladeshaft 42"			
542 19 97-49	G	Limiter Plate, CE			
542 19 97-58	O2	Valve, Cartridge Check			
542 19 97-61	O2	Cylinder, Hydr Lift - Compl FS6600			
542 19 97-62	O2	Cylinder, Hydr Lift - Compl FS8400			
542 19 97-64	S	V-Belt 3VX485 4-Band			
542 19 97-65	S	V-Belt 3VX485 5-Band			
542 19 97-66	S	V-Belt 3VX465 5-Band			
542 19 99-43	S,T	Flange, Outer w/Pin - 8" QDS, 48"			
542 19 99-94	B	Sheave Guard, Low Shaft - RH			
542 20 10-48	Y	Inst Sht: Wiring-Water Pump Kit			
725 23 33-71	Y	Capscrew, Hx Hd M5 x 25 8.8			
725 23 70-71	P1,X2	Capscrew, Hex Hd M6 x 1.0 x 20 8.8			
725 24 51-71	P2	Capscrew, Hex Hd M8 x 1.25 x 20			
725 24 53-71	X2	Capscrew, Hd Hx M8-1.25 x 25			
725 24 57-76	P2	Capscrew, Hex Hd M8 x 1.25 x 35 10.9			
725 24 67-51	A	Capscrew, Hex Hd M8 x 1.25 x 80 8.8			
725 24 93-01	B	Capscrew, Hex Hd M10 x 1.5 x 25			
725 24 95-71	P1,Q1,X2	Capscrew, Hex Hd M10 x 1.5 x 30			
725 24 97-71	P1	Capscrew, Hex Hd M10 x 1.50 x 35			
725 25 32-71	Q1	Capscrew, Hex Hd M12 x 1.75 x 20 8.8			
725 25 32-71	X2	Capscrew, Hx Hd M12-1.75 x 20			
725 25 34-71	R	Capscrew, Hex Hd M12 x 1.75 x 25 8.8			
725 25 36-71	A	Capscrew, Hex Hd M12 x 1.75 x 30 8.8			
725 25 42-71	O1,Q1	Capscrew, Hex Hd M12 x 1.75 x 50 8.8			
725 25 45-71	N3	Capscrew, Hex Hd M12 x 1.75 x 65 8.8			
731 43 20-01	Q1	Nut, Hex Jam Thin M10 x 1.50			
732 25 14-01	U1,Y	Nut, M5 x 0.8 Hex Nyloc			
732 25 16-01	B,P1,X2	Nut, Lock M6 x 1.0 Nyloc			
732 25 18-01	D,T	Nut, Lock M8 x 1.25 Nyloc			
732 25 20-01	B,Q1,X2	Nut, Lock M10 x 1.50 Nyloc			
732 25 22-01	Q1,X2	Nut, M12-1.75 Nyloc			
734 11 52-01	B,U1	Washer, M6 Flat			
734 11 63-01	X2,X3	Washer, Flat M8			
734 11 72-01	B,Q1,U1	Washer, Flat M10 DIN 125			
734 11 78-01	A,C,F,G,Q1,R,X2	Washer, Flat M12			
735 11 64-01	A	Washer, M8 Lock			
735 11 73-01	B,C,P1,U1	Washer, Lock M10 DIN 127			
735 11 78-01	A,C,Q1,N1,R	Washer, Lock M12			
SPECIAL KITS					
542 19 61-71	NS	Kit, Weight 1-Bar 35 lbs			
542 19 61-72	NS	Kit, Weight 2-Bar 70 lbs			
542 19 97-50	NS	Kit, Low Mount Bladeshaft 18" - 30"			
542 19 97-51	NS	Kit, Low Mount Bladeshaft 36"			
542 19 97-52	NS	Kit, Low Mount Bladeshaft 42"			
542 19 96-98	NS	Kit, Blade Guard Attachment - 36"			
542 19 95-73	X2	Kit, Blade Guard Attachment - 48"			
542 19 96-25	NS	Kit, Blade Guard Attachment - 60"			

ConstructionParts.com 888-634-4289

NOTE: Part No's. that have an ASTERISK (*) suffix may not be active 9-digit numbers. The '542' prefix have been added to current 6-digit part numbers and '0' to 8-digit part numbers.

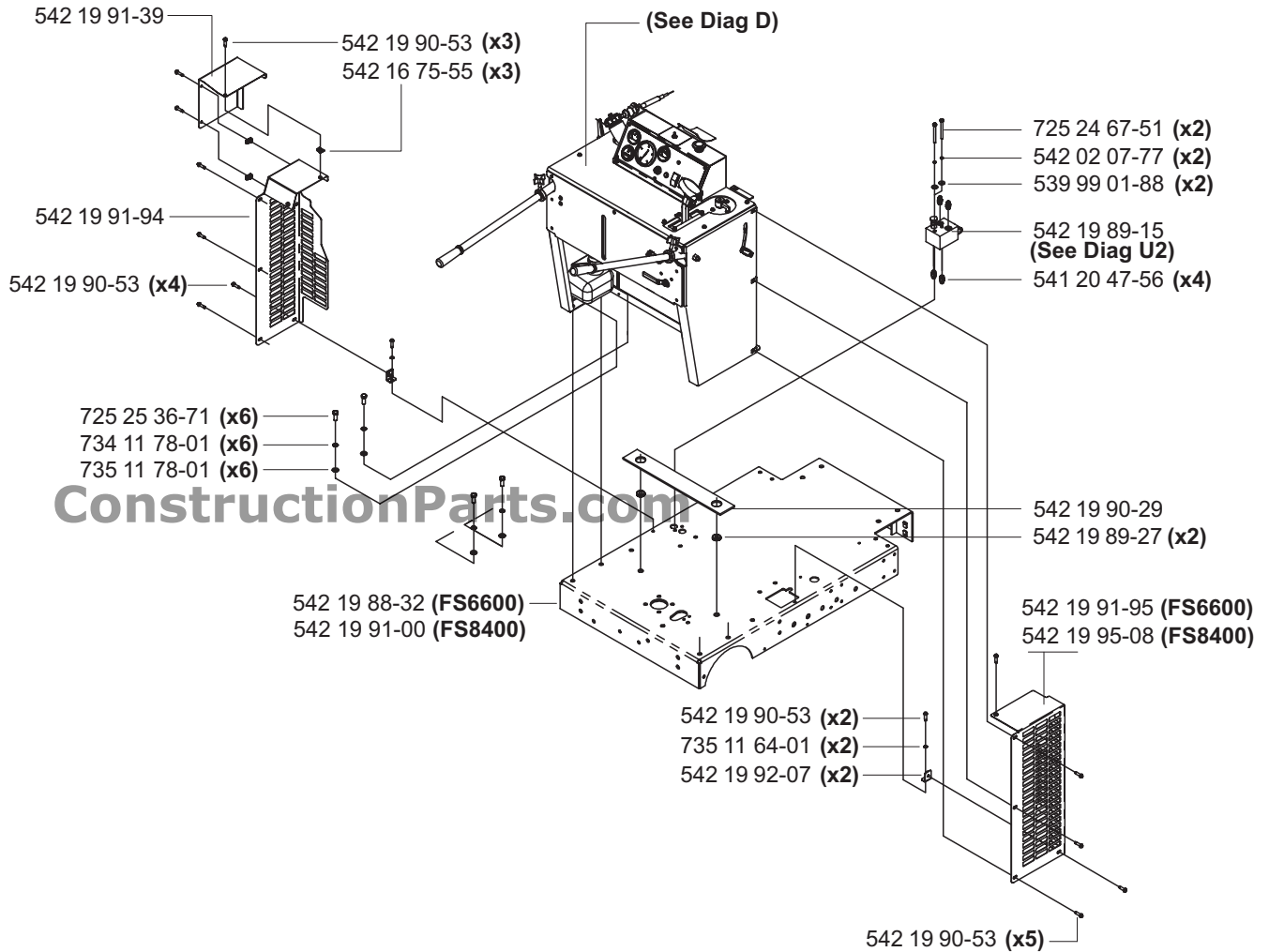
A Frame & Cowling Assy

ConstructionParts.com

888-634-4289



04.05.05



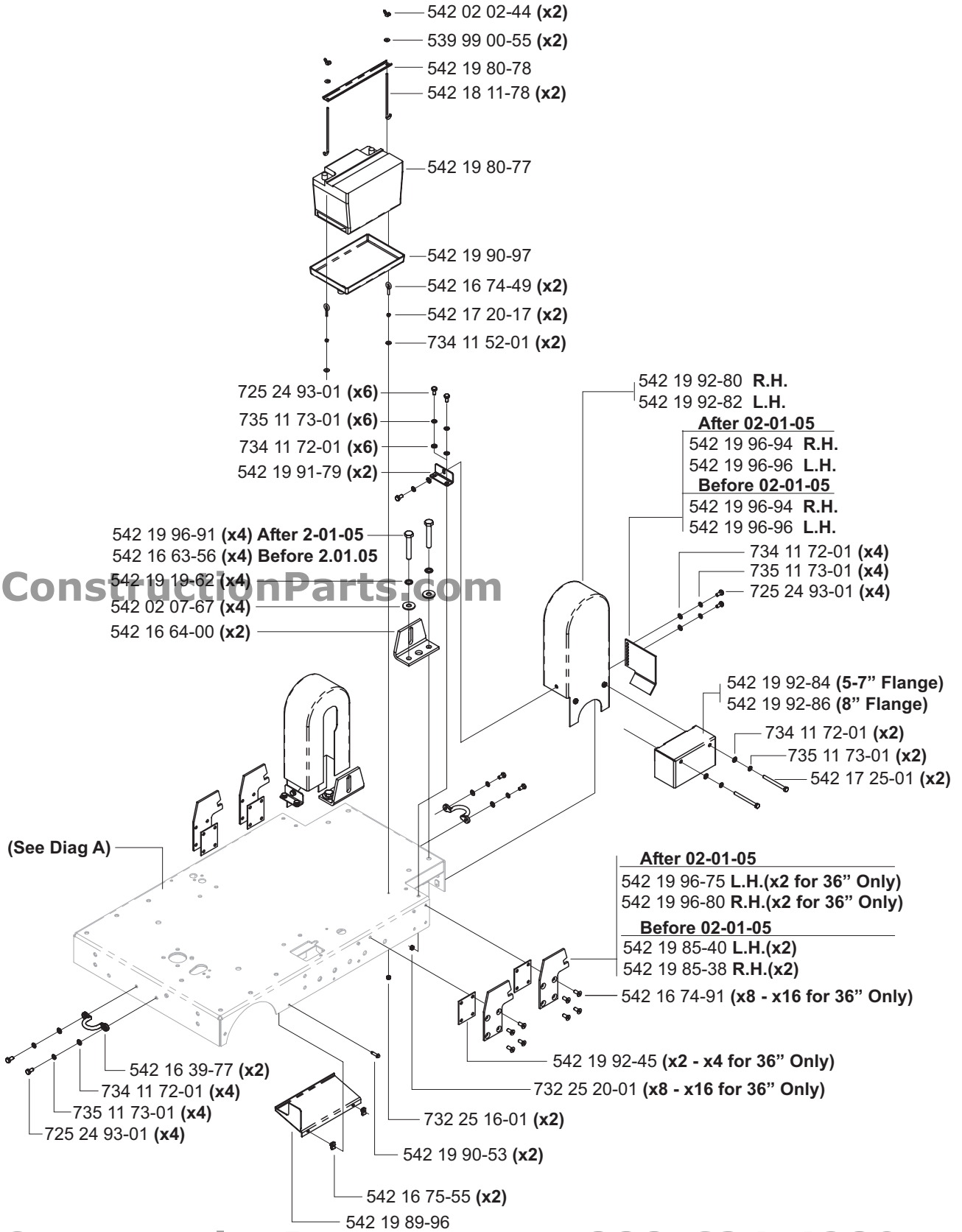
ConstructionParts.com

888-634-4289

B Upper Frame Assy

ConstructionParts.com

888-634-4289



ConstructionParts.com

888-634-4289

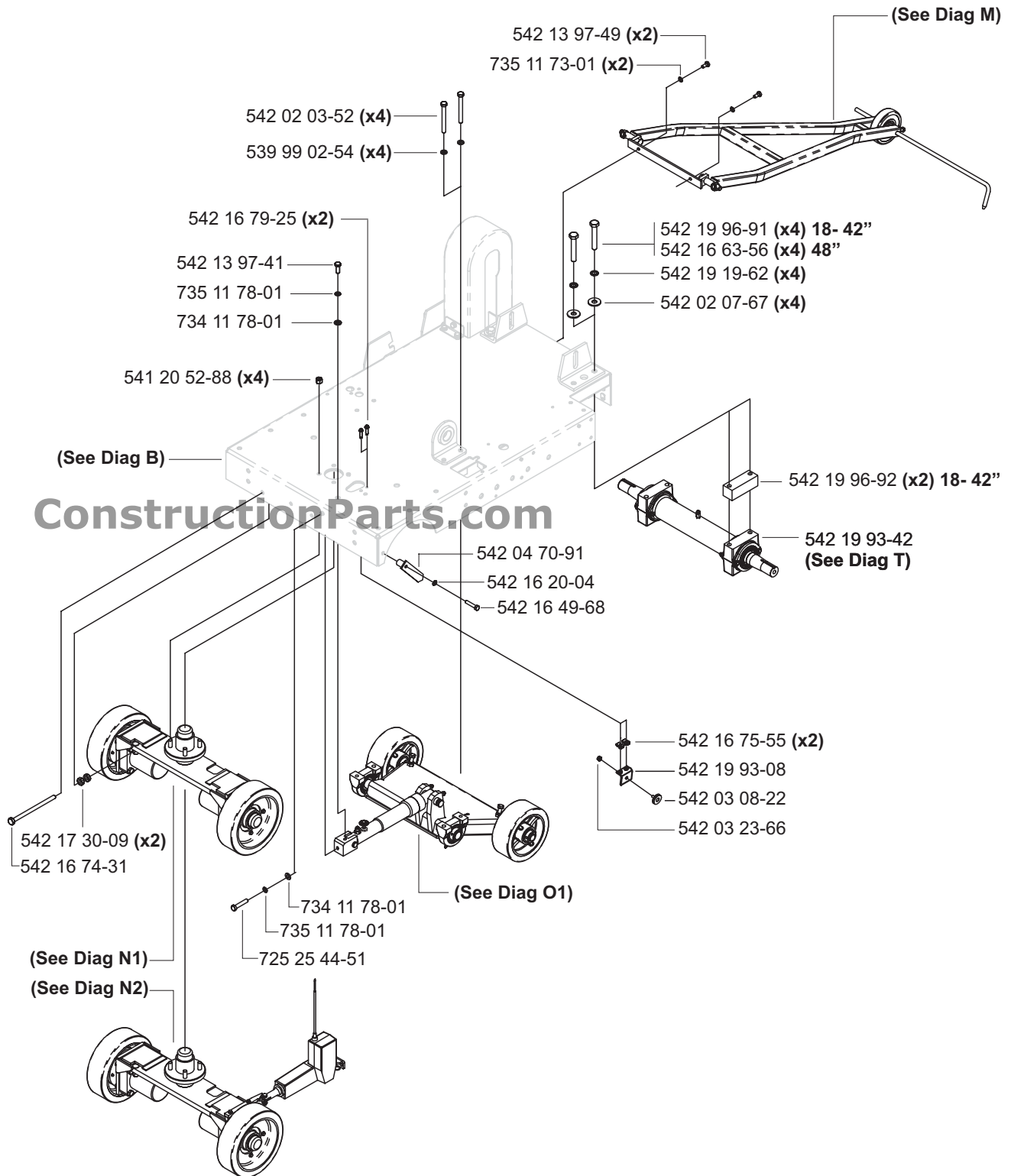
C Lower Frame Assy with Pointers

ConstructionParts.com

888-634-4289



04.05.05



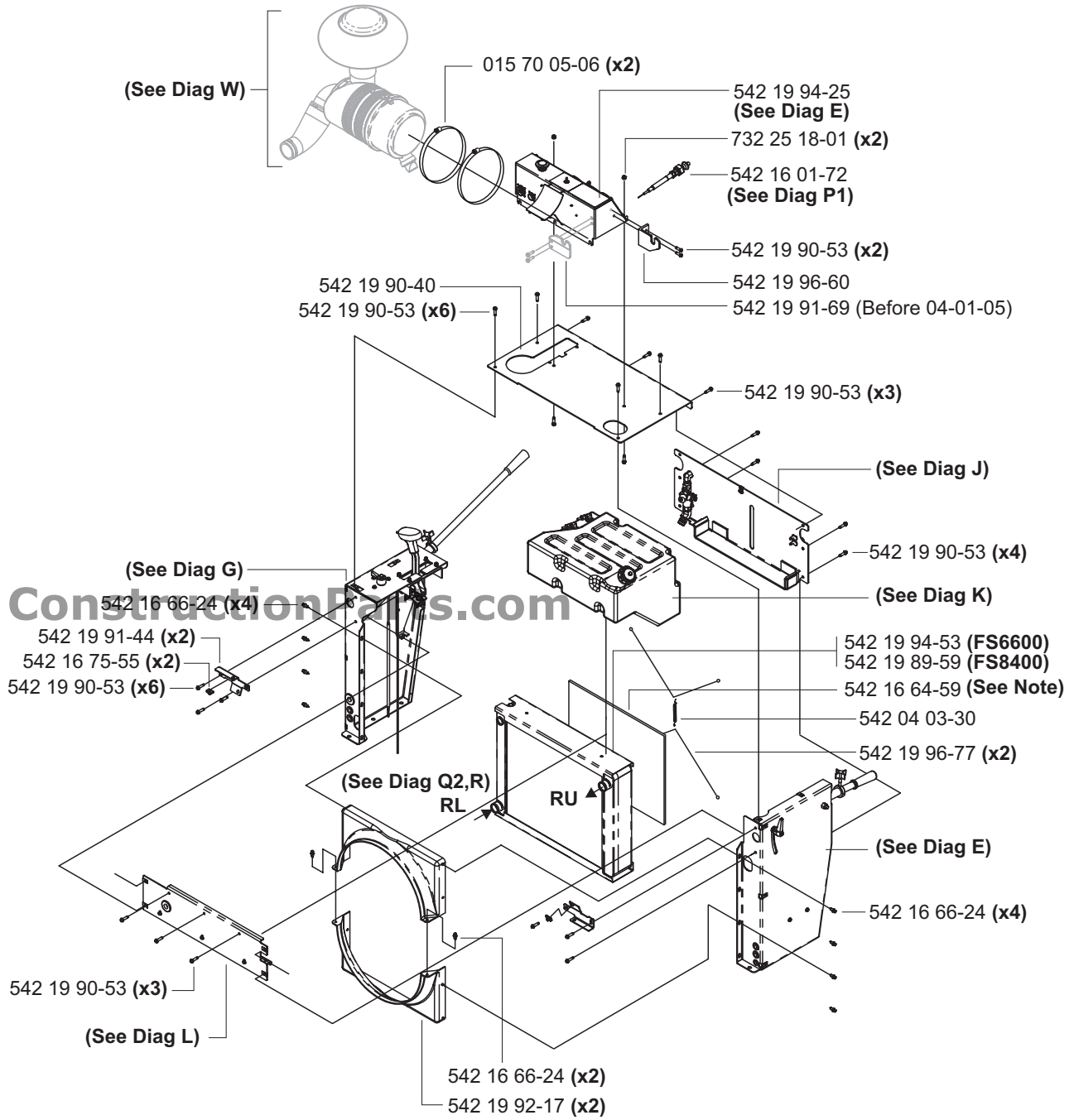
ConstructionParts.com

888-634-4289

D Cowling Assy

ConstructionParts.com

888-634-4289



NOTE: For non-secured Filters, use 542 19 59-72 Latch Filter Secure Kit

Includes:

- 542 19 59-24 (x4) Latch
- 542 04 36-91 (x2) Spring

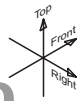
ConstructionParts.com

888-634-4289

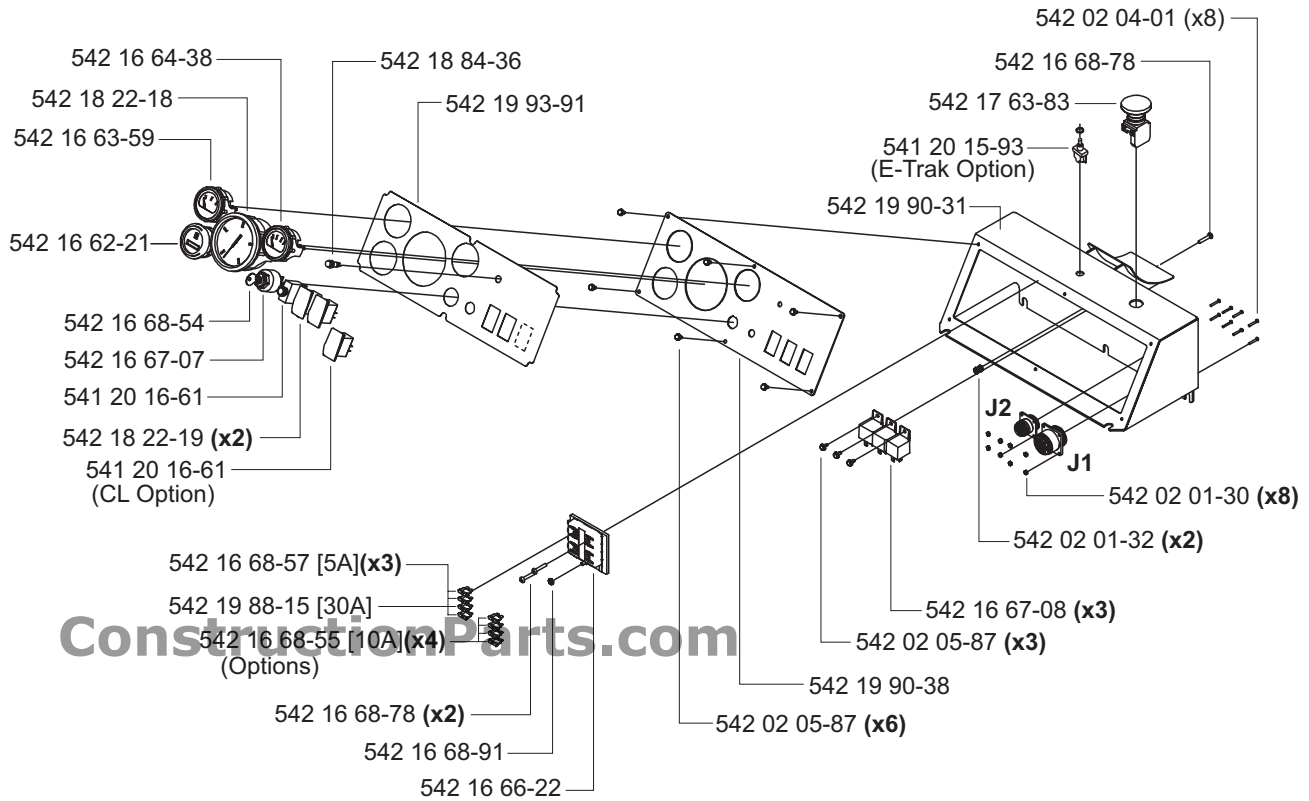
E Instrument Panel Assy

ConstructionParts.com

888-634-4289



*Compl Gray 542 19 94 25



P1 - Engine Harness compl 542 18 22-22
P2 - Cowling Harness compl 542 18 22-23

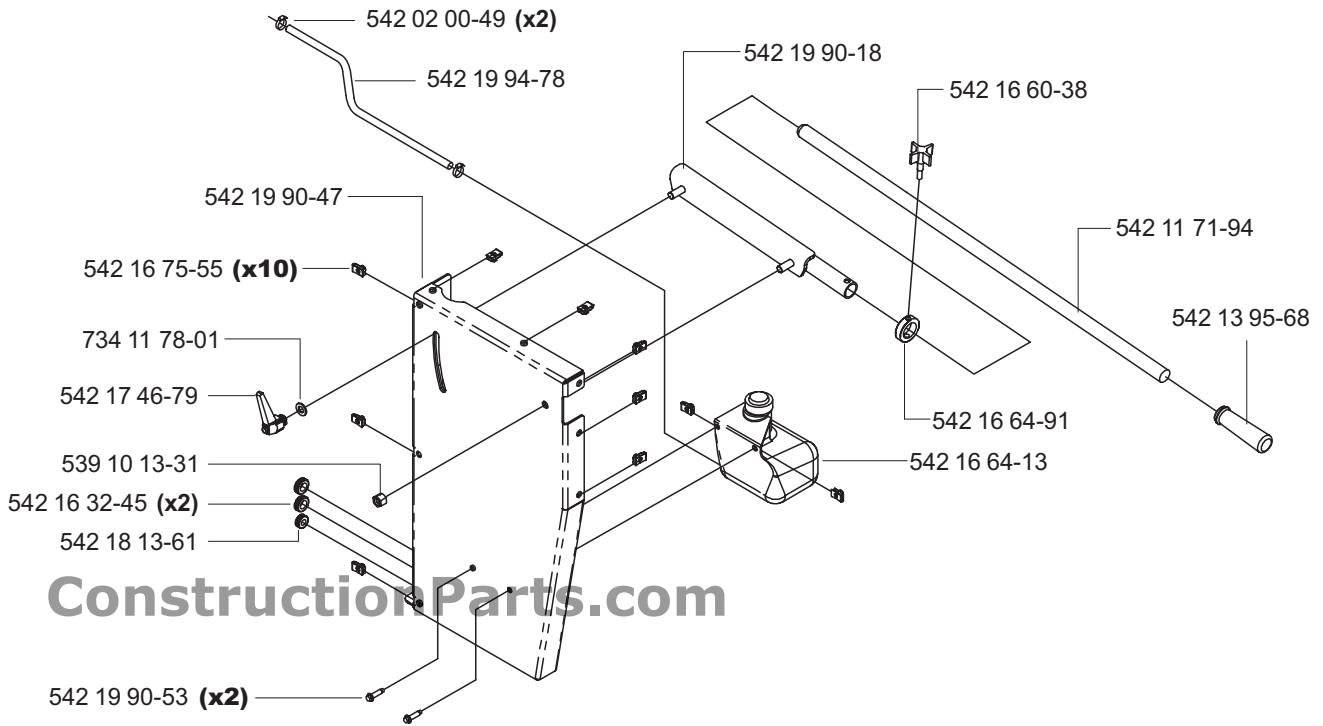
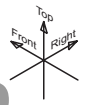
ConstructionParts.com

888-634-4289

F Cowling Side Assy - L.H.

ConstructionParts.com

888-634-4289



ConstructionParts.com

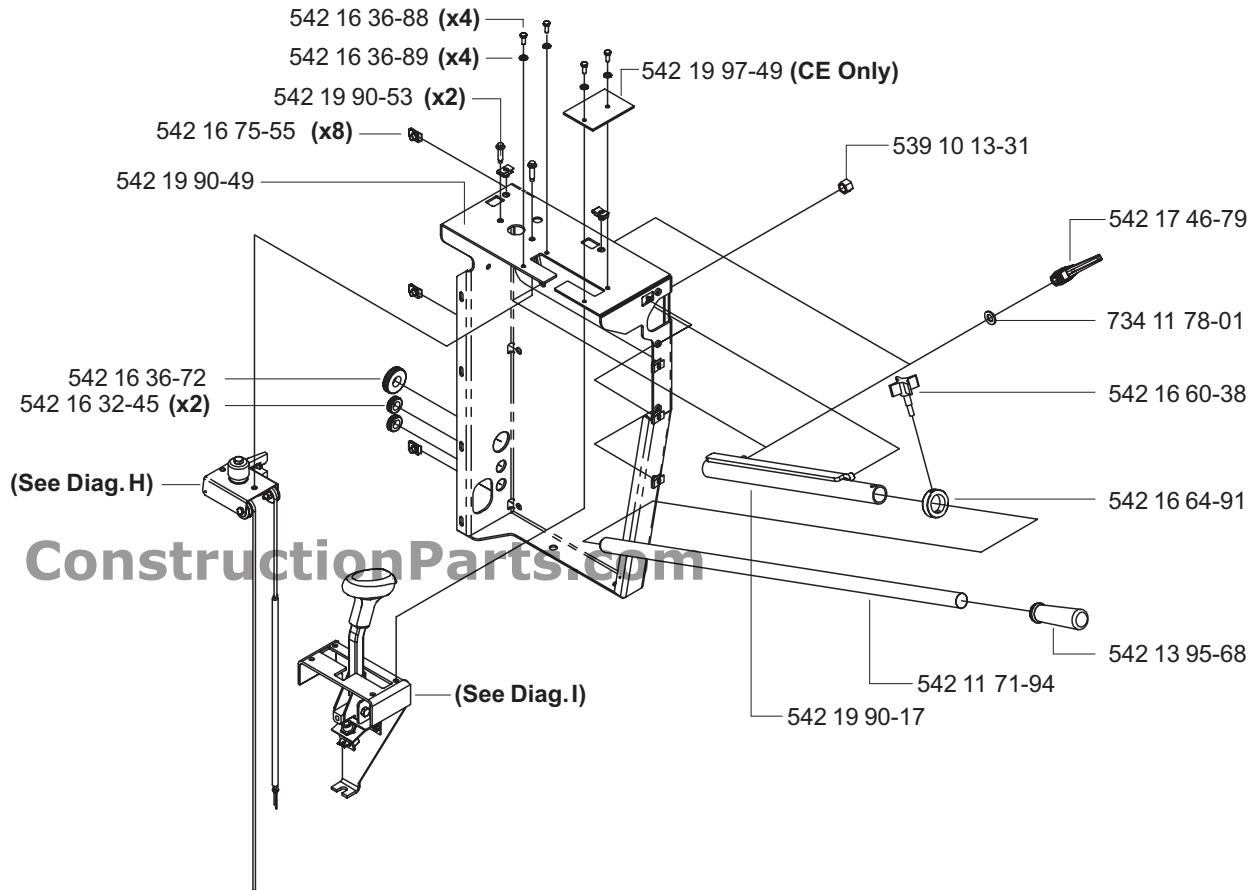
ConstructionParts.com

888-634-4289

G Cowling Side Assy - R.H.

ConstructionParts.com

888-634-4289



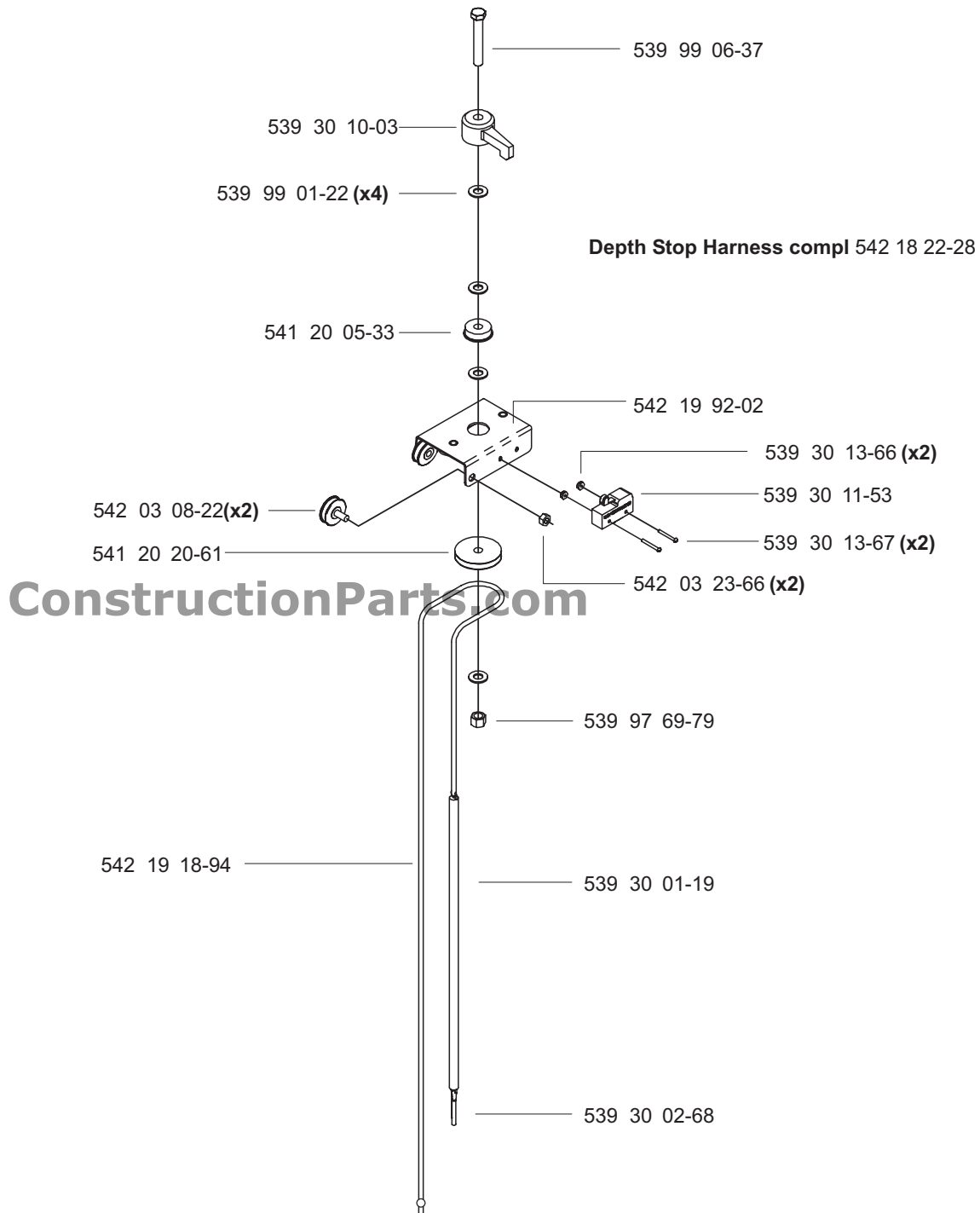
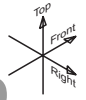
ConstructionParts.com

888-634-4289

H Depth Indicator Assy

ConstructionParts.com

888-634-4289



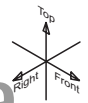
ConstructionParts.com

888-634-4289

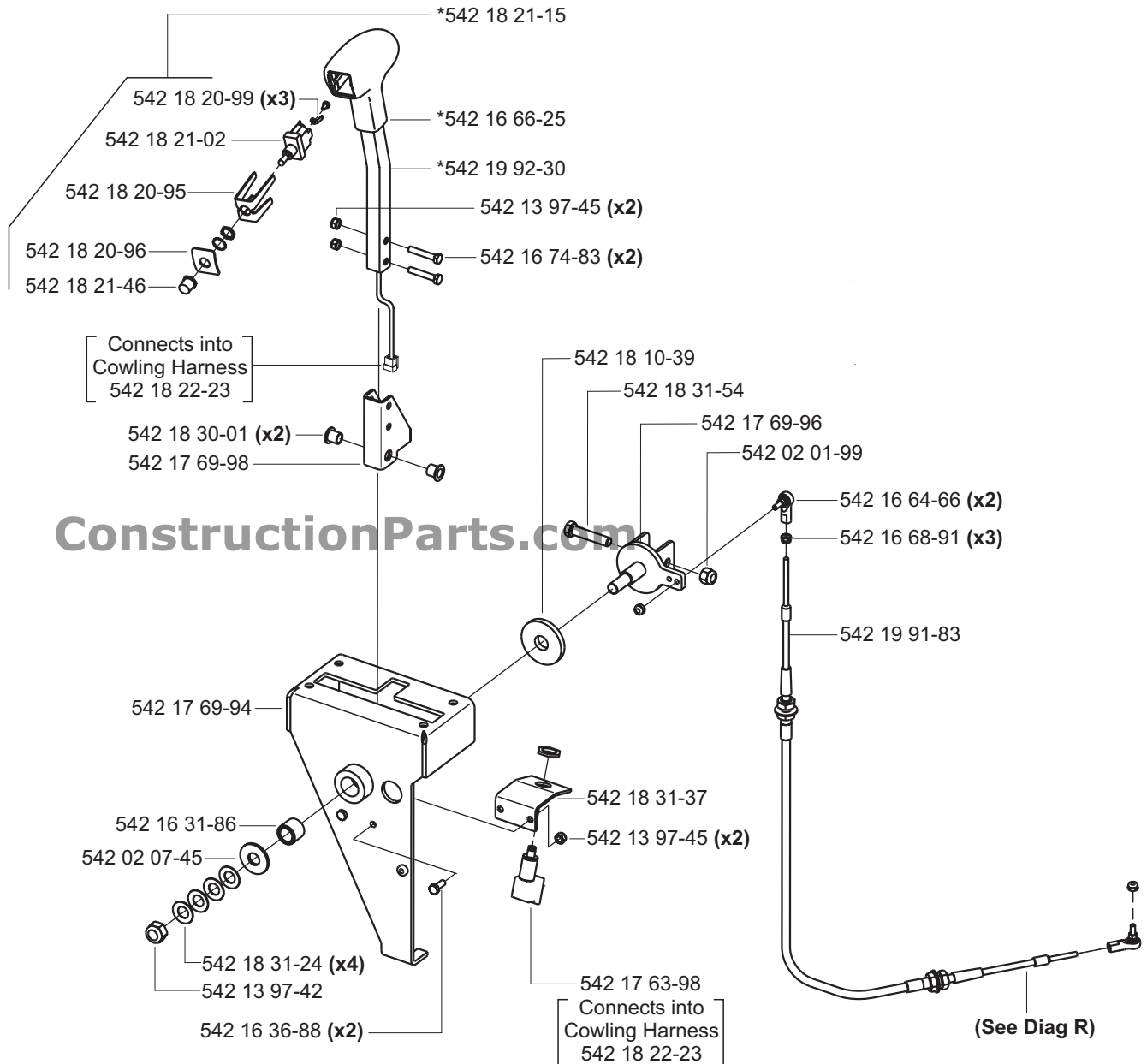
Speed Control Assembly

Speed Control compl. 542 19 94-51

888-634-4289



*Handle & Switch compl. 542 19 92-22



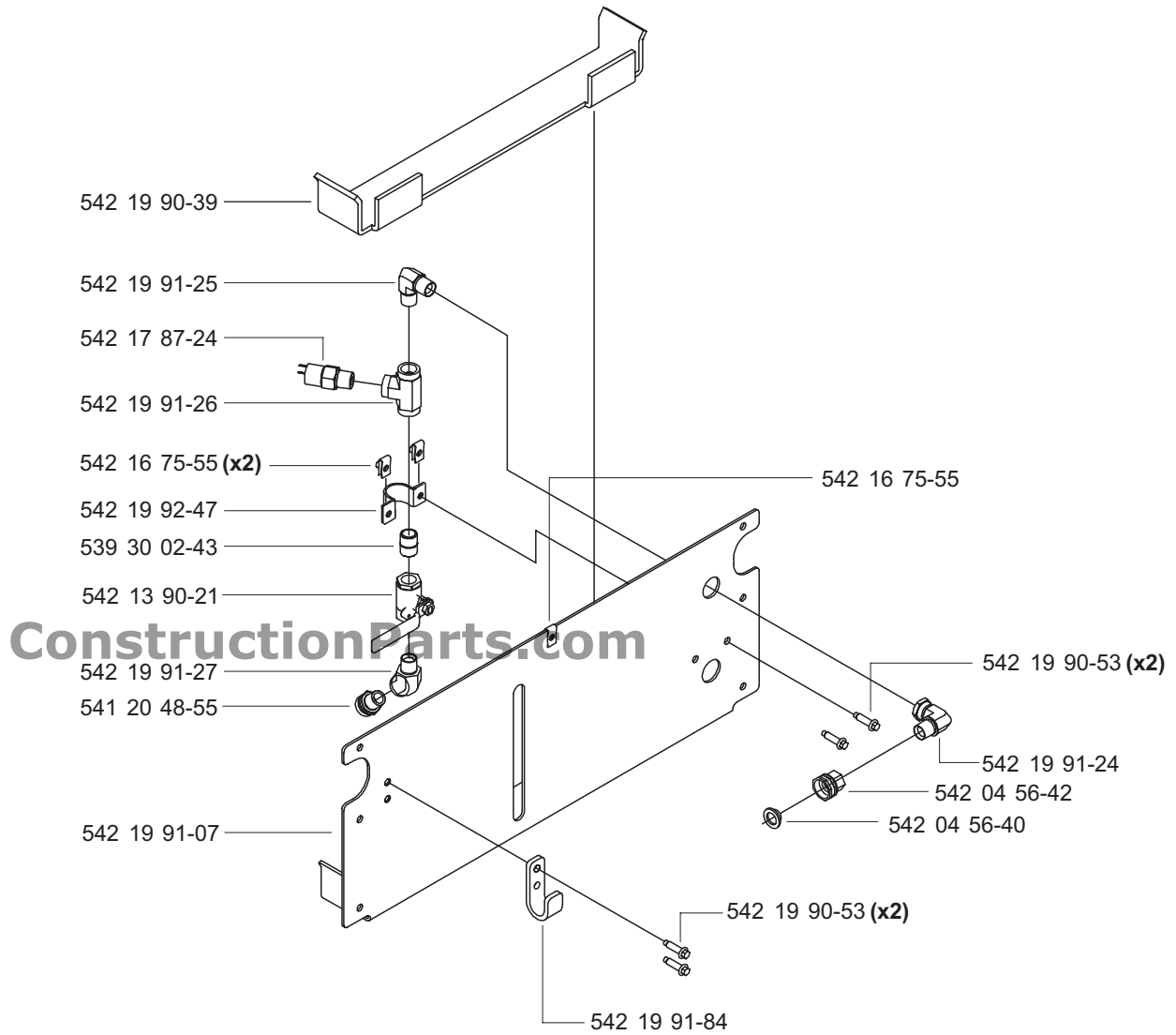
ConstructionParts.com

888-634-4289

J Rear Cowling Assy

ConstructionParts.com

888-634-4289



ConstructionParts.com

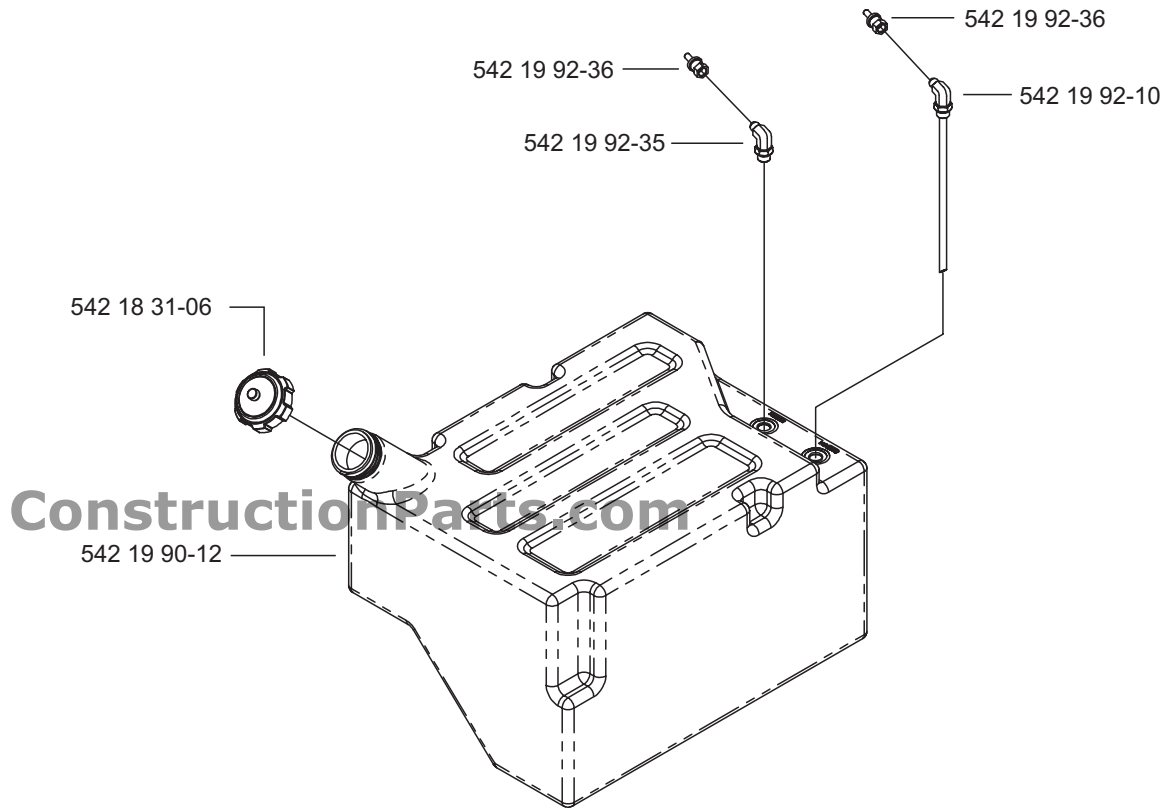
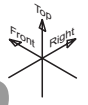
888-634-4289

K Fuel Tank Assy

(See Diag D)

ConstructionParts.com

888-634-4289



ConstructionParts.com

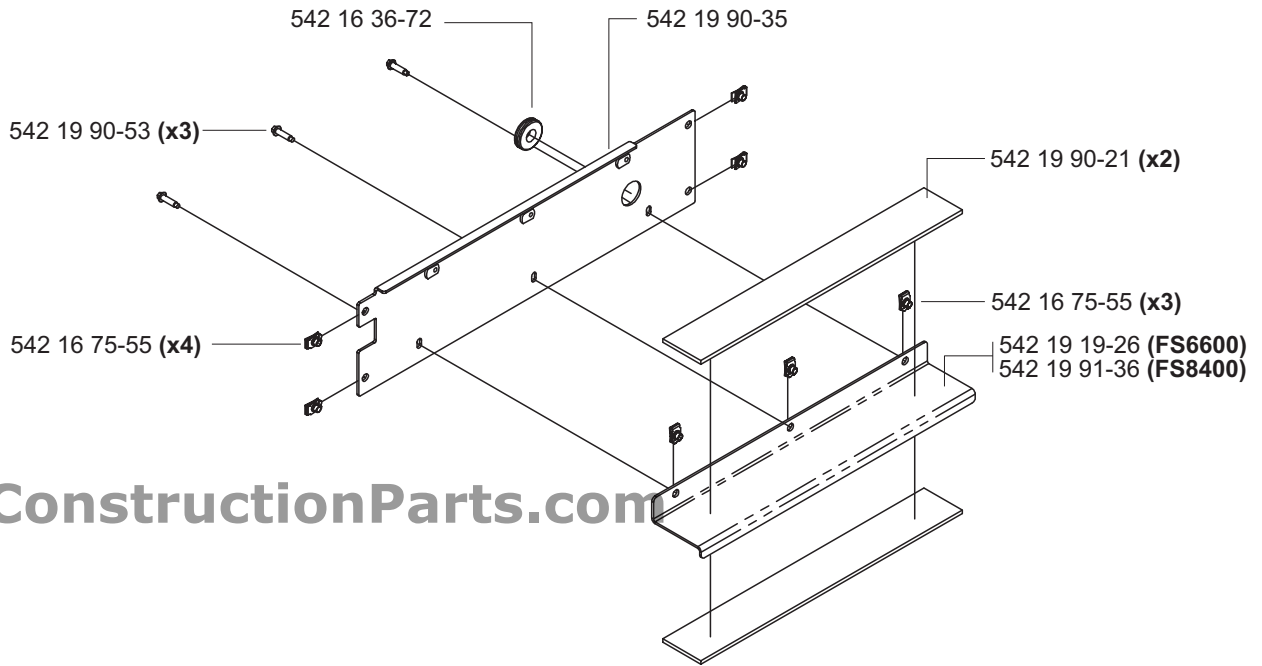
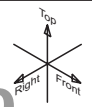
888-634-4289

L Front Cowling Assy

(See Diag D)

ConstructionParts.com

888-634-4289



ConstructionParts.com

ConstructionParts.com

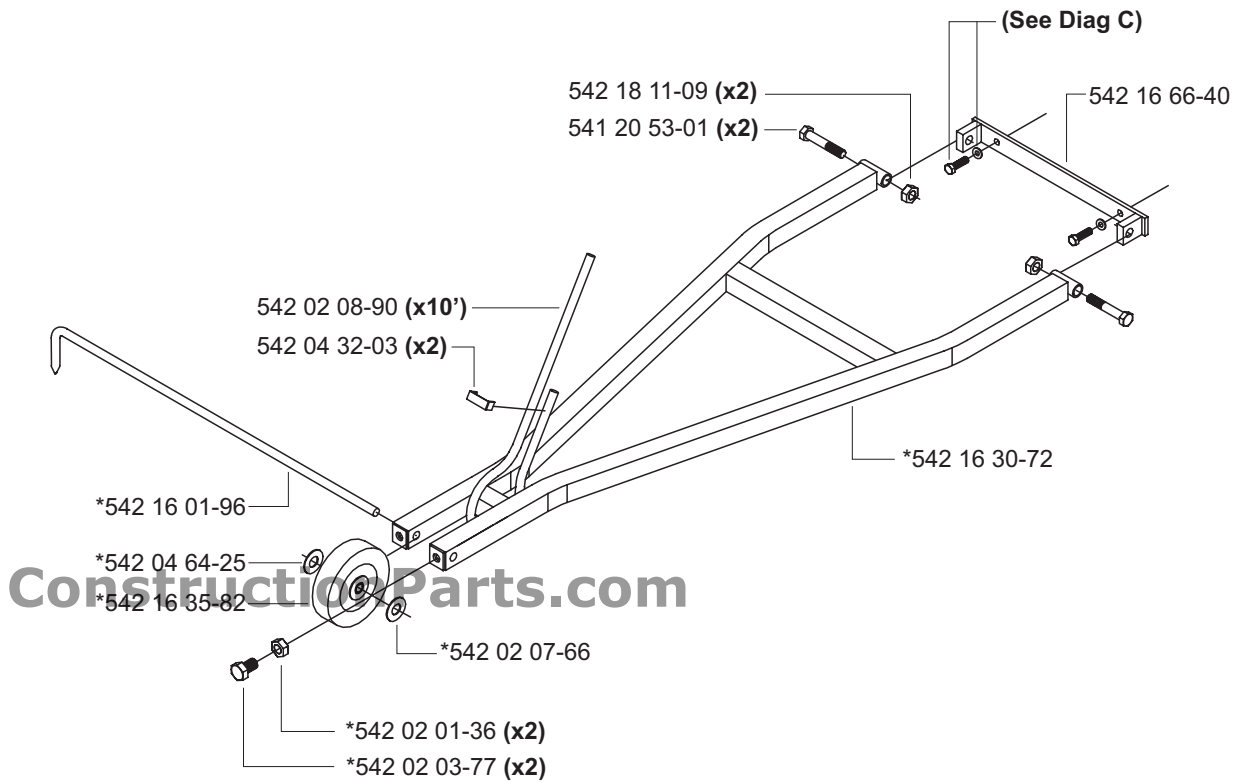
888-634-4289

M Pointer Assy

*Front Pointer Compl 542 18 33-96

ConstructionParts.com

888-634-4289



ConstructionParts.com

888-634-4289

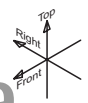
N1 Rear Axle Assy - Manual

After 04-05-05, S/N: 433081

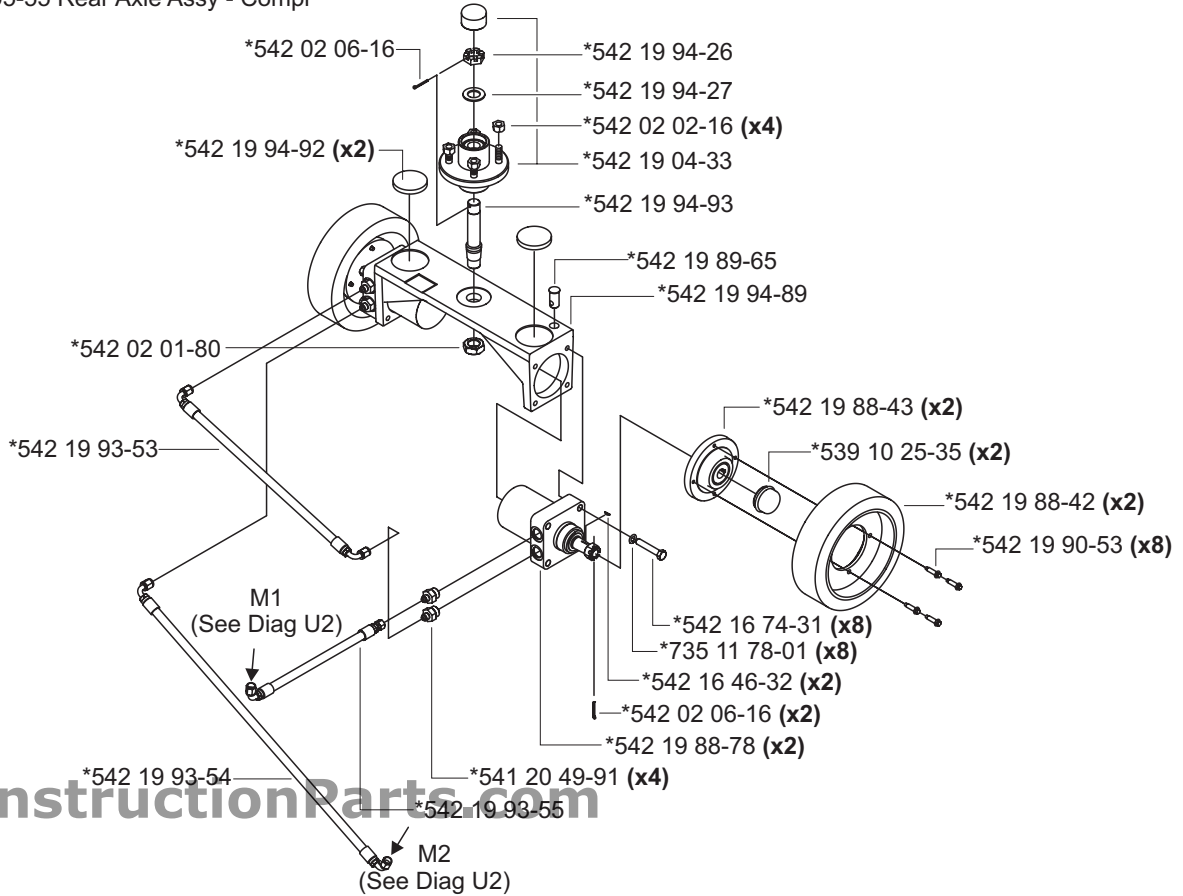
*542 19 95-55 Rear Axle Assy - Compl

ConstructionParts.com

888-634-4289



04.07.05

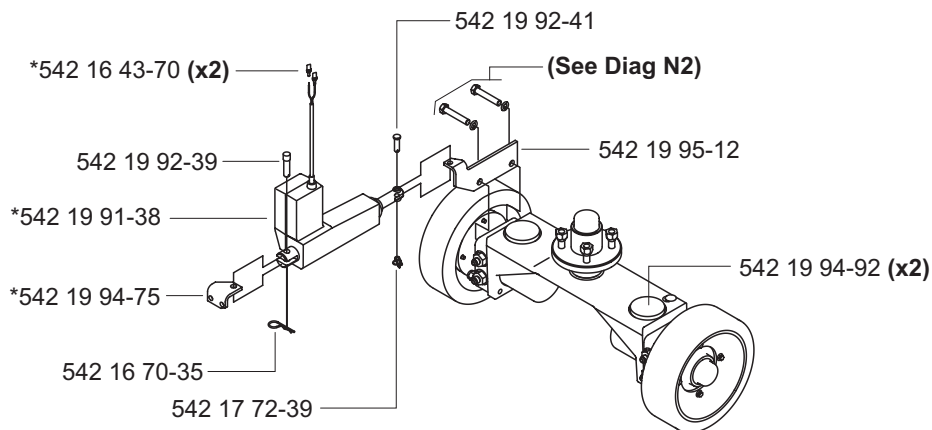


ConstructionParts.com

N2 Rear Axle Assy - E-Track

After 04-05-05, S/N: 433081

*542 19 94-94 Actuator - Compl



ConstructionParts.com

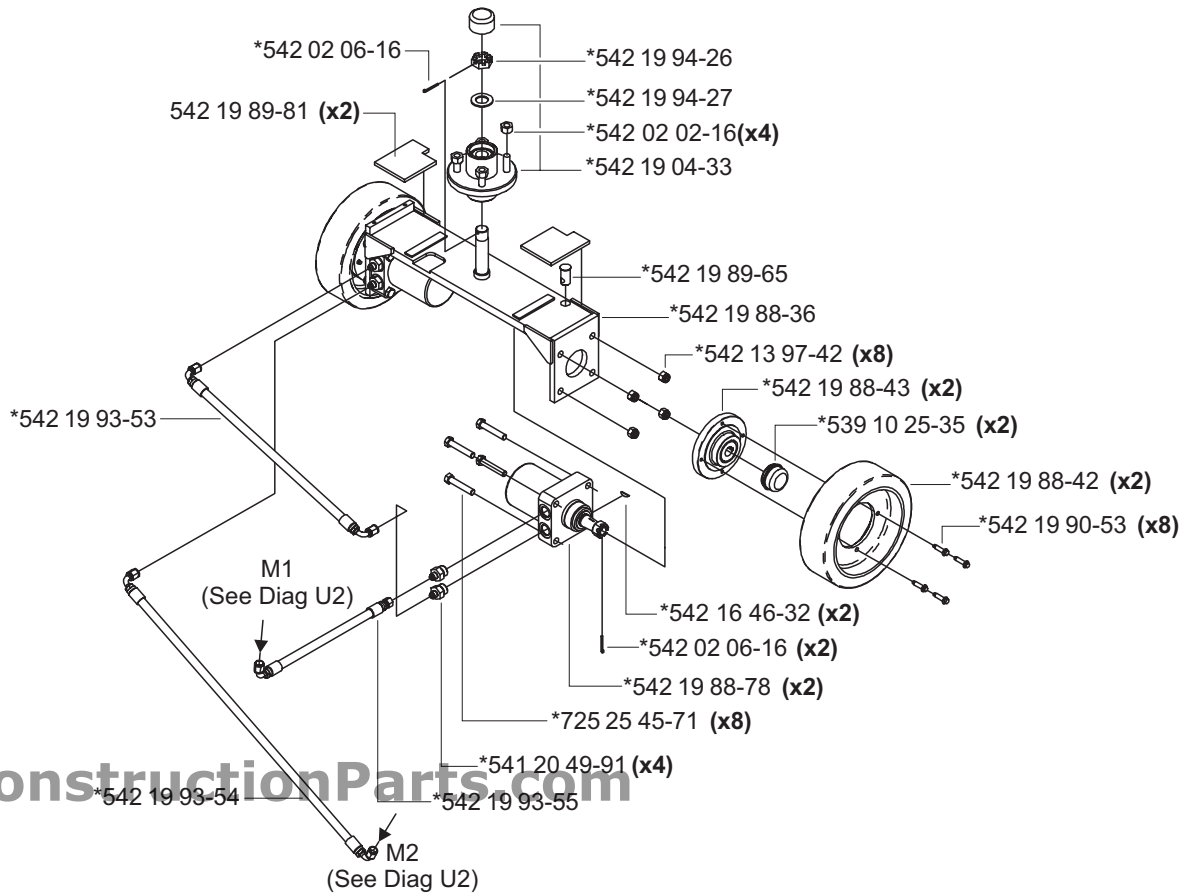
888-634-4289

N3 Rear Axle Assy - Manual

Before 04-05-05, S/N: 433081

ConstructionParts.com

888-634-4289

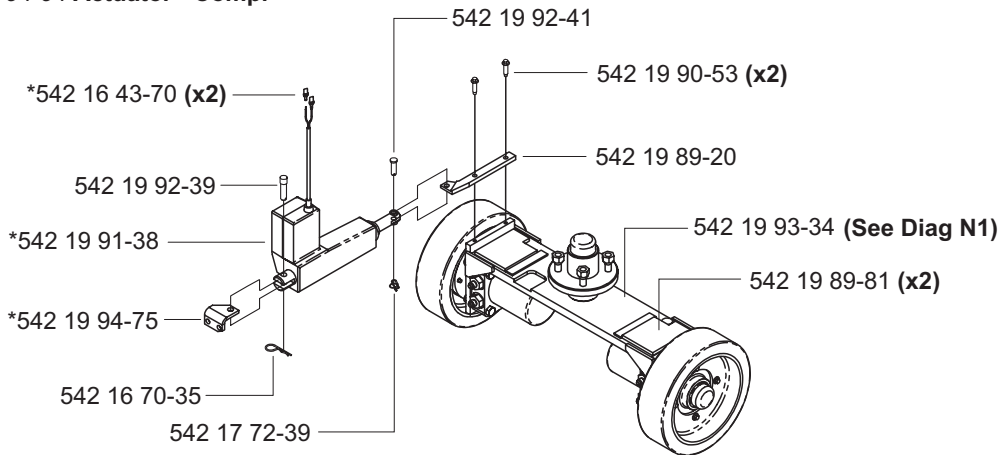


ConstructionParts.com

N4 Rear Axle Assy - E-Track

Before 04-05-05, S/N: 433081

*542 19 94-94 Actuator - Compl



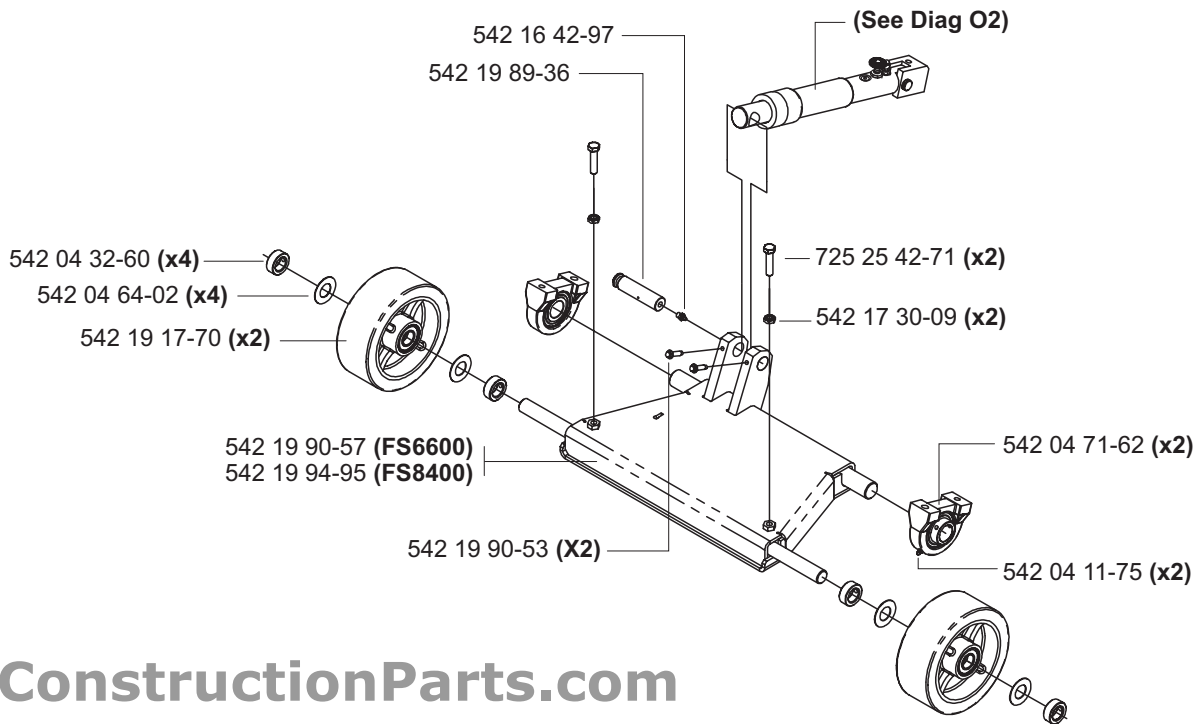
ConstructionParts.com

888-634-4289

O1 Front Axle Assy

ConstructionParts.com

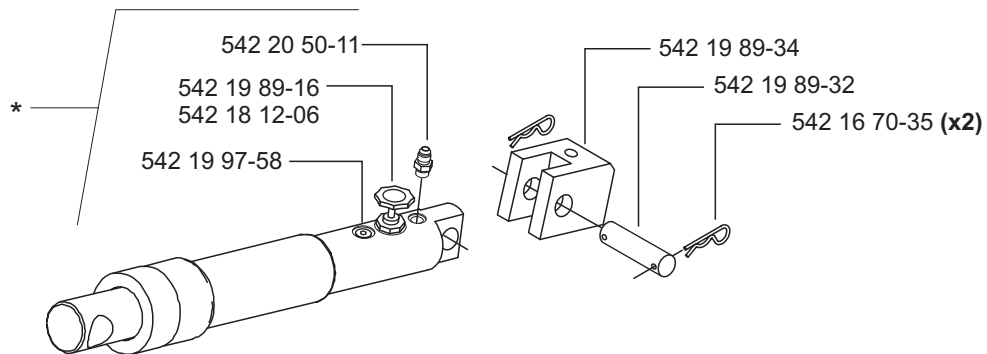
888-634-4289



ConstructionParts.com

O2 Hydraulic Lift Cylinder Assy

- * 542 19 97-61 compl (FS6600)
- * 542 19 97-62 compl (FS8400)



ConstructionParts.com

888-634-4289

P1 Engine, Fan & Std Gearbox Assy

*Engine compl 542 19 94-01 (FS6600)

**Engine compl 542 19 95-53 (FS8400)

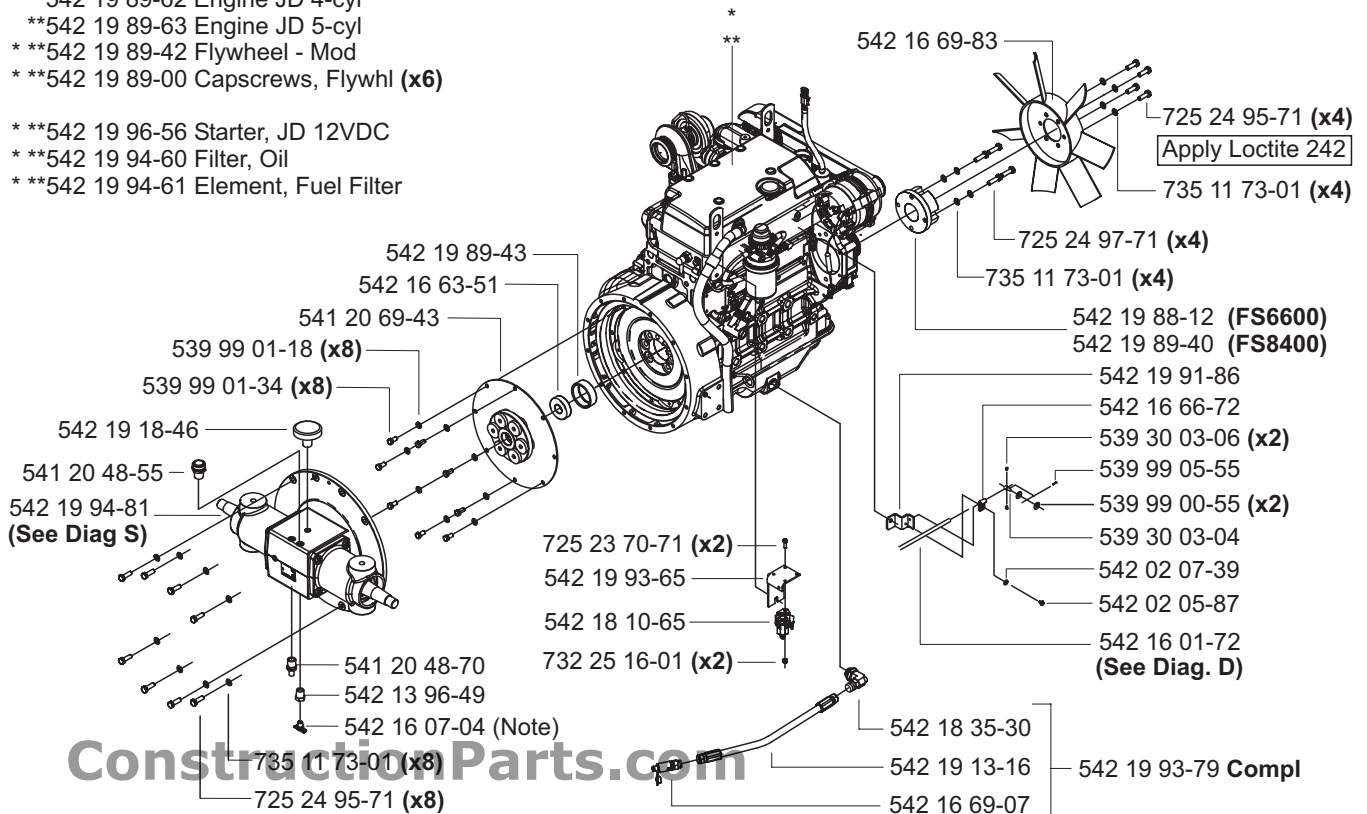
ConstructionParts.com

888-634-4289



Engine Service Parts (Not Shown)

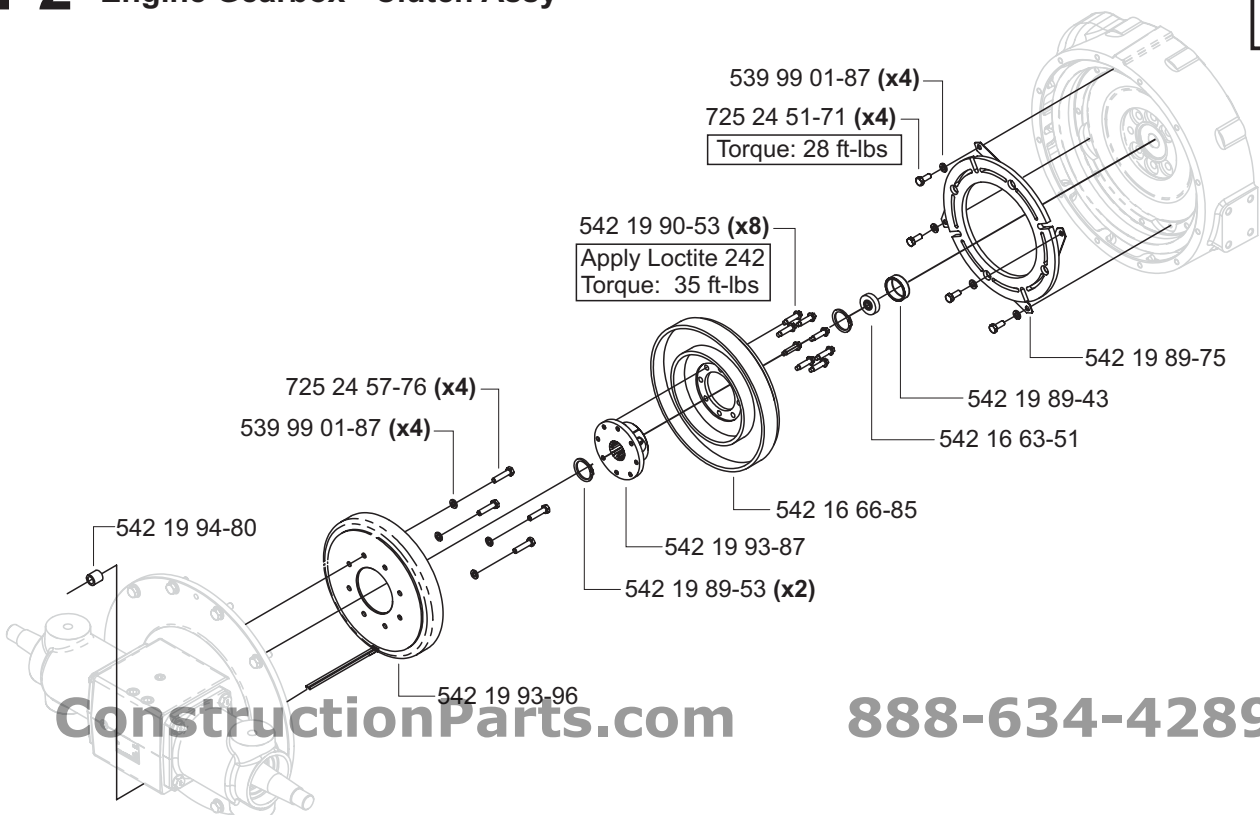
- *542 19 89-62 Engine JD 4-cyl
- **542 19 89-63 Engine JD 5-cyl
- ***542 19 89-42 Flywheel - Mod
- ***542 19 89-00 Capscrews, Flywhl (x6)
- ***542 19 96-56 Starter, JD 12VDC
- ***542 19 94-60 Filter, Oil
- ***542 19 94-61 Element, Fuel Filter



ConstructionParts.com

NOTE: Drain water when Temperature below 32°F (0°C).

P2 Engine Gearbox - Clutch Assy



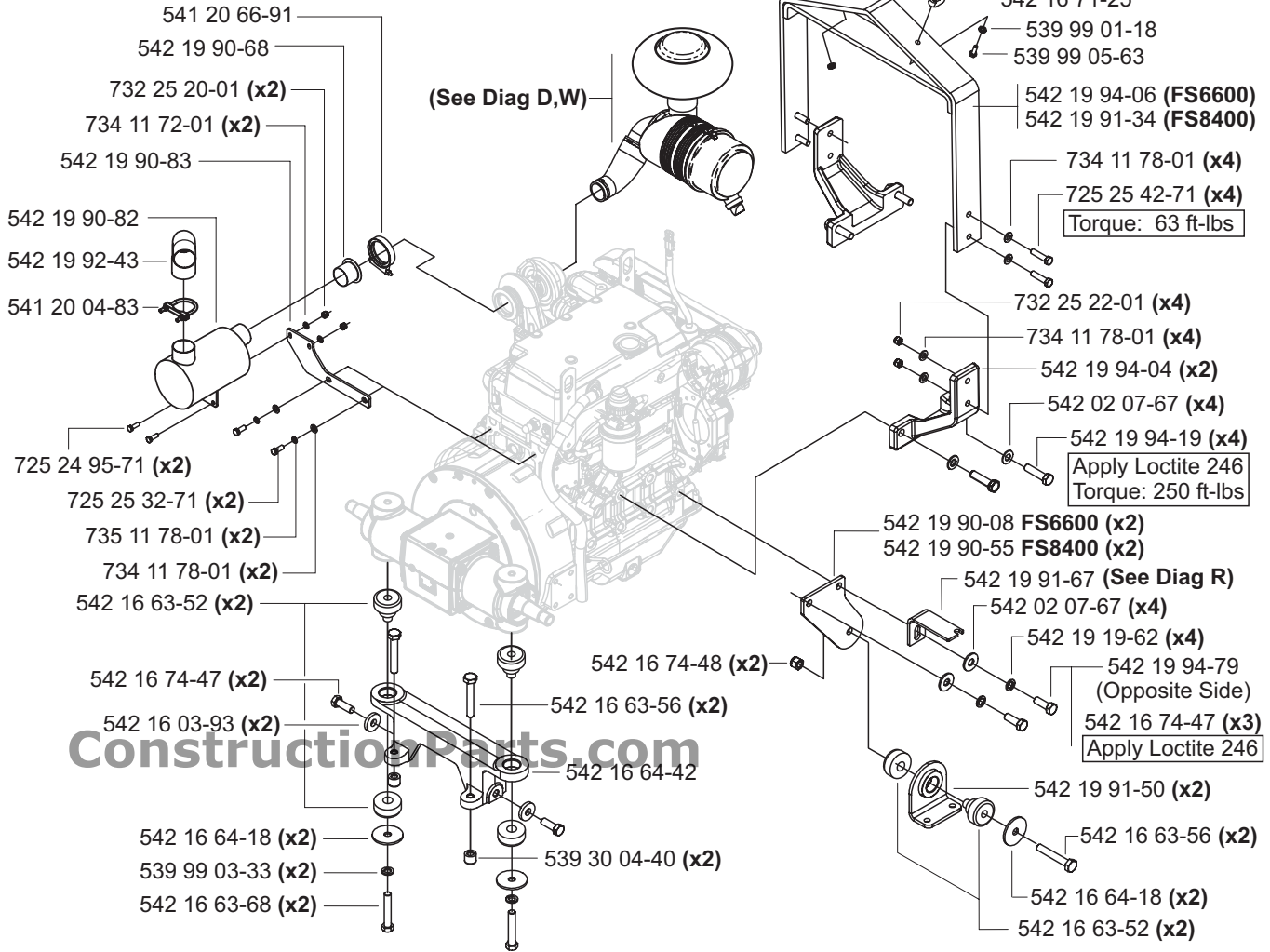
ConstructionParts.com

888-634-4289

Q1 Engine Mounting, Lift Bail & Muffler

ConstructionParts.com

888-634-4289



ConstructionParts.com

888-634-4289

Q2 Engine to Base Assy

ConstructionParts.com

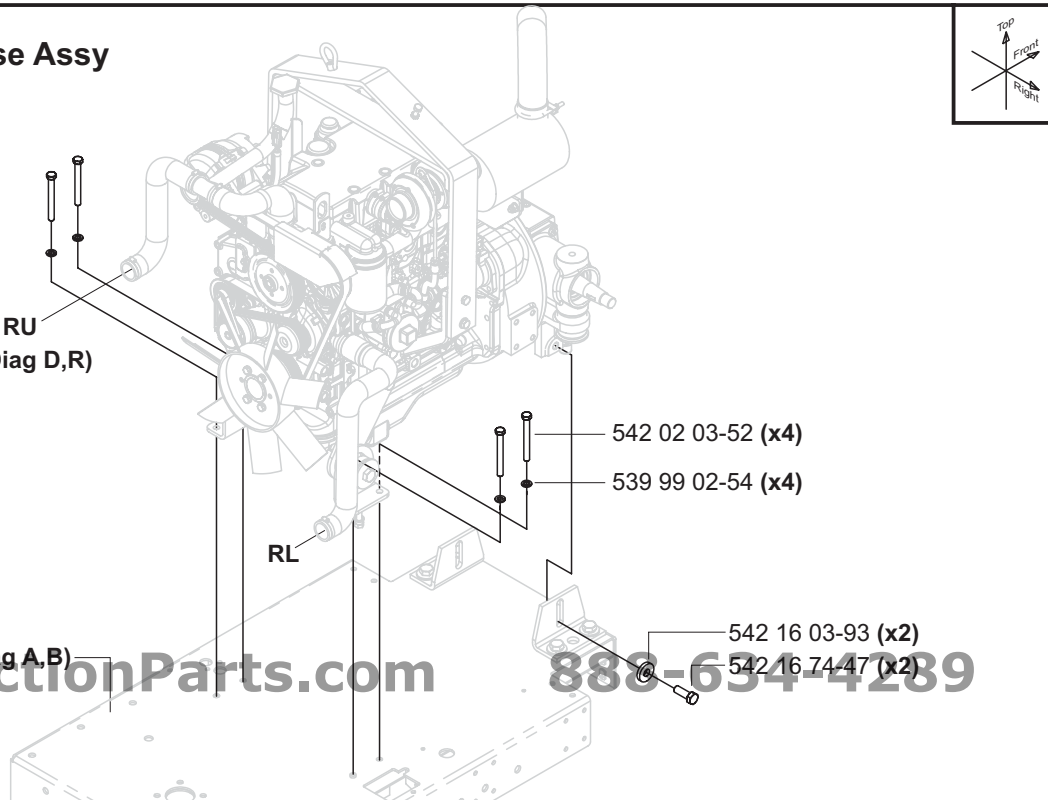
888-634-4289



RU
(See Diag D,R)

RL

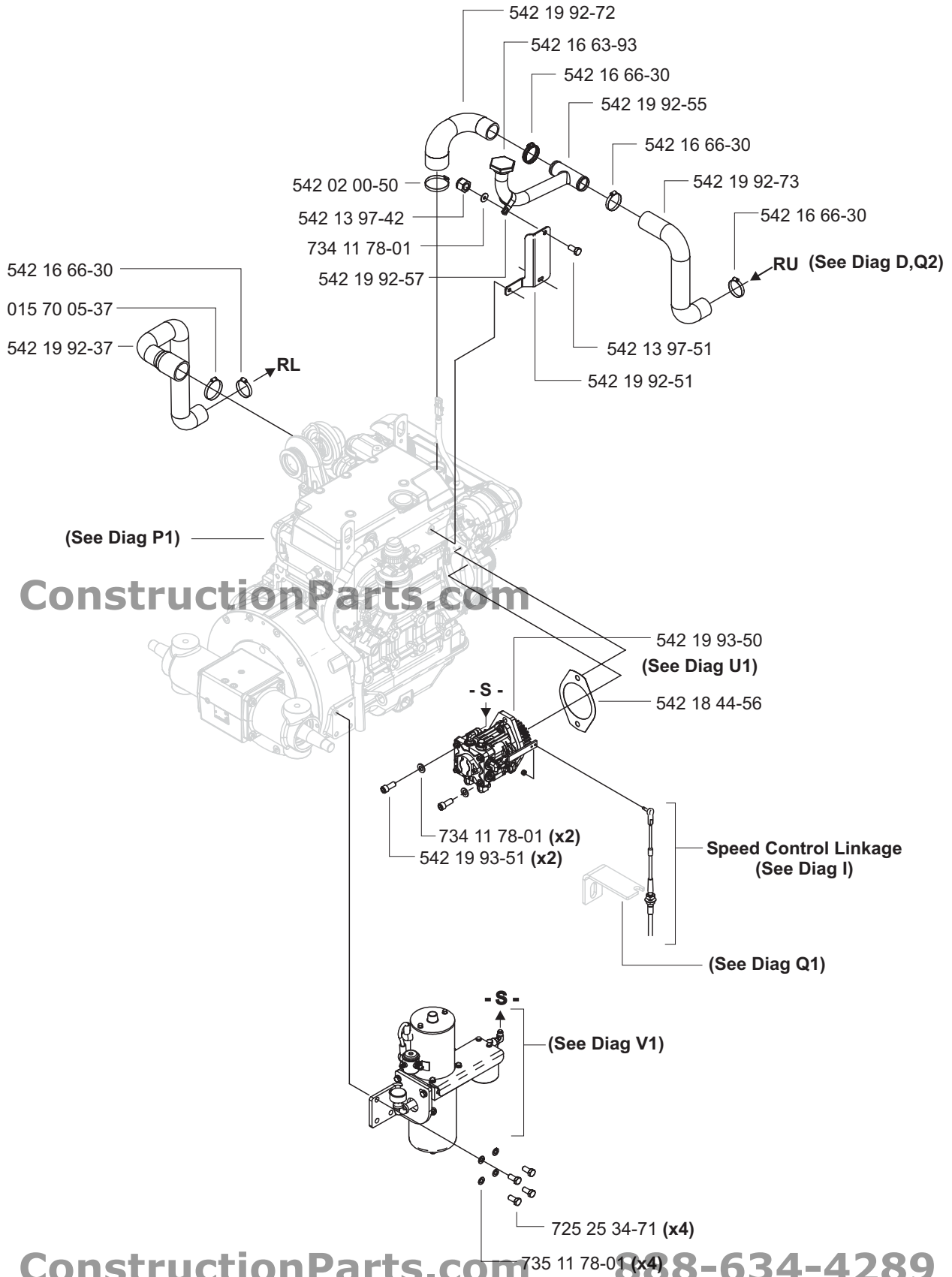
(See Diag A,B)



R Engine Cooling & Pumps Assy

ConstructionParts.com

888-634-4289



S Gearbox-Blade Shaft Assy

ConstructionParts.com 888-634-4289



04.07.05

- (FS6600)**
 542 16 63-65 (x2) 18"
 542 19 18-95 (x2) 26"
 542 16 63-66 (x2) 30-42"
(FS8400)
 542 19 95-32 (x2) 18"
 542 19 95-31 (x2) 26"
 542 19 95-30 (x2) 30-48"

542 16 46-32 (x2)

542 19 94-81
 (See Diag P1)

Gearbox Serial Number

542 16 64-80 (x2)
 542 02 01-80 (x2)

542 16 34-87
 542 02 07-90
 542 02 07-67
 542 02 07-47
 542 16 03-93 (x2)

Before 02-01-05

(FS6600) 4-Band Blade		
542 16 63-63 (x4)	18-30"	
542 19 95-02 (x4)	36"	
542 16 66-29 (x4)	42"	
(FS8400) 5-Band Blade		
542 19 95-54 (x4)	18-30"	
542 19 95-68 (x4)	36"	
542 19 97-00 (x4)	48"	

After 02-01-05

(FS6600) 4-Blade Size Blade		
542 16 66-29 (x4)	465	18-26 & 36"
542 16 63-62 (x4)	450	30"
542 19 97-64 (x4)	485	42"
(FS8400) 5-Blade Size Blade		
542 19 97-00 (x4)	465	18-26, 36 & 48"
542 19 97-66 (x4)	450	30"
542 19 97-65 (x4)	485	42"

542 19 90-45 (x2)

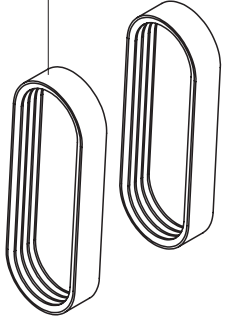
542 19 93-42
 (See Diag C,T)

- (FS6600)**
 542 19 88-66 (x2) 18"
 542 19 88-58 (x2) 26-30"
 542 19 88-65 (x2) 36"
 542 19 91-60 (x2) 42"
(FS8400)
 542 19 95-33 (x2) 18"
 542 19 95-34 (x2) 26-30"
 542 19 95-35 (x2) 36"
 542 19 97-46 (x2) 42"
 542 19 95-36 (x2) 48"

541 20 68-88 (x2) 18-30"
 542 19 88-64 (x2) 36"
 542 19 93-17 (x2) 42"
 542 19 93-31 (x2) 48" (FS8400 Only)

542 16 63-07 - 18-30"
 542 16 32-72 - 36"
 542 19 93-78 - 42"
 542 19 99-43 - 48"
 (FS8400 Only)

Replacement Dowel Pin
 542 02 03-04 - 18-30, 48"
 542 16 34-85 - 36-42"



542 02 07-90
 542 16 34-88 (L. H.)

ConstructionParts.com 888-634-4289

T Blade Shaft Tube Assy

ConstructionParts.com

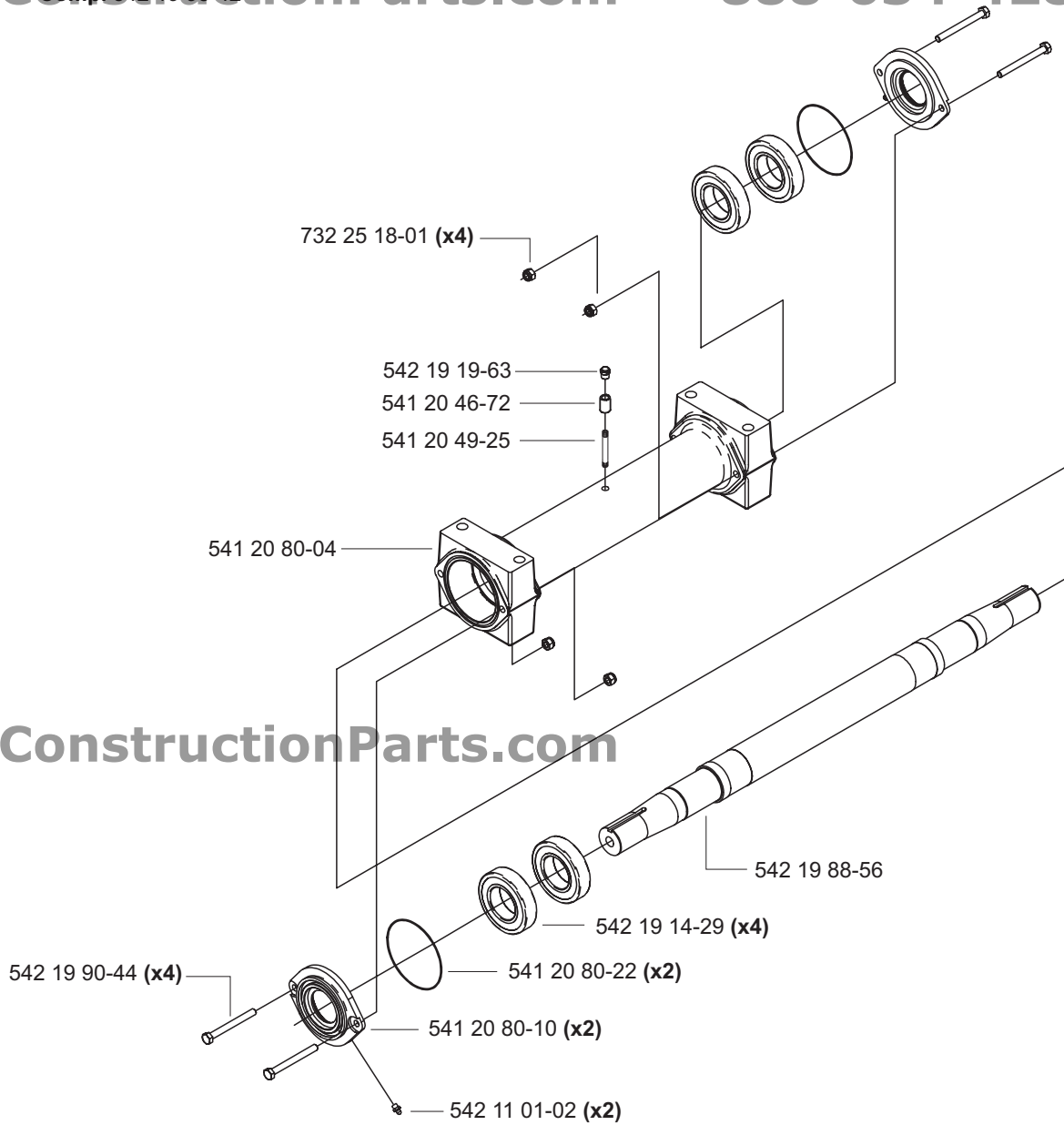
888-634-4289

Comp 542 19 93-42



04.06.05

ConstructionParts.com



Blade Shaft Assemblies - Complete with:
Pulleys, Flanges & Fasteners

FS6600

Assy No	Blade	Pulley (x2)	Inner Flange	Outer Flange	Dia
542 19 94-66	18"	542 19 88-66	541 20 68-88	542 16 63-07	5"
542 19 94-67	26/30"	542 19 88-58	541 20 68-88	542 16 63-07	5"
542 19 94-69	36"	542 19 88-65	542 19 88-64	542 16 32-72	6"
542 19 94-70	42"	542 19 91-60	542 19 93-17	542 19 93-78	7"

FS8400

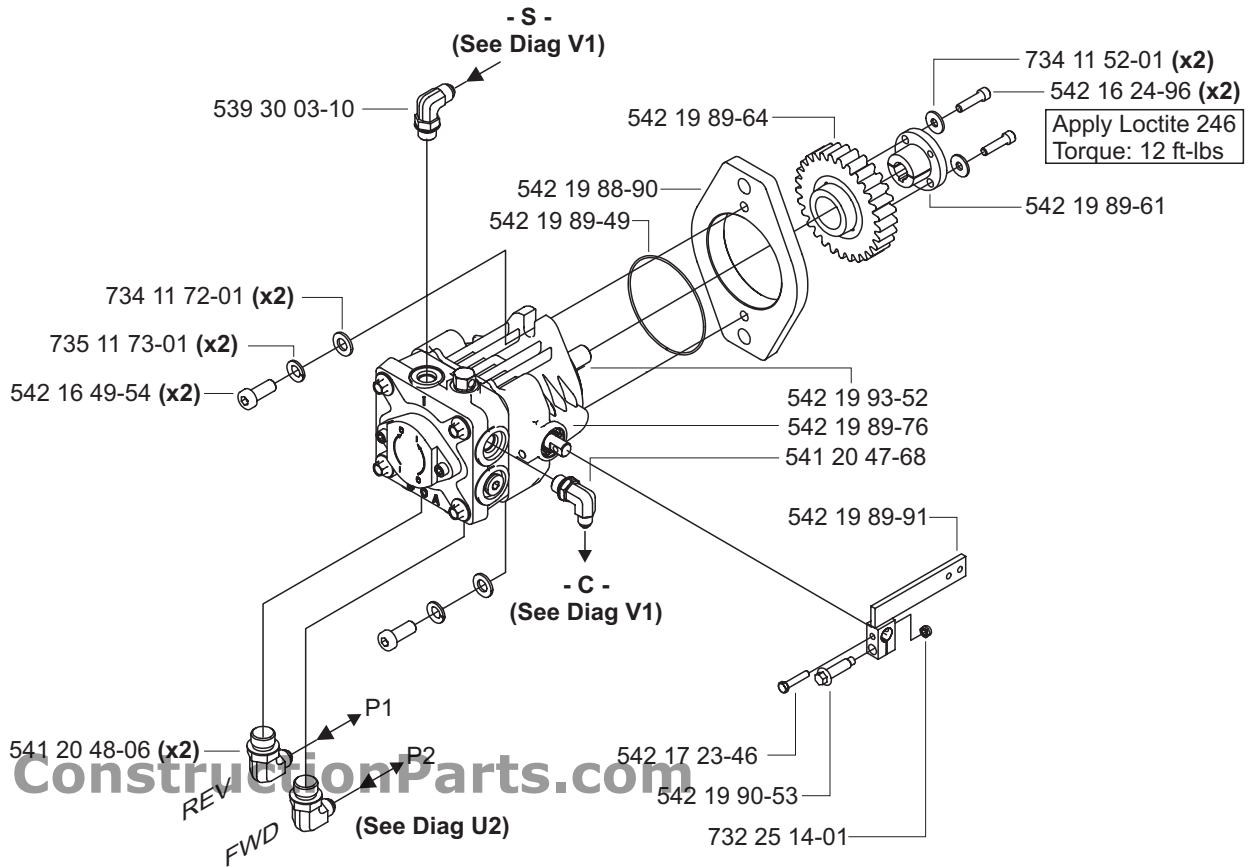
Assy No	Blade	Pulley (x2)	Inner Flange	Outer Flange	Dia
542 19 95-80	18"	542 19 95-33	541 20 68-88	542 16 63-07	5"
542 19 95-81	26/30"	542 19 95-34	541 20 68-88	542 16 63-07	5"
542 19 95-82	36"	542 19 95-35	542 19 88-64	542 16 32-72	6"
542 19 97-42	42"	542 19 97-46	542 19 93-17	542 19 93-78	7"
542 19 95-83	48"	542 19 95-36	542 19 93-31	542 19 99-43	8"

ConstructionParts.com 888-634-4289

U1 Hydraulic Drive Pump Assy

ConstructionParts.com

888-634-4289



U2 Bypass Valve Manifold Assy

Compl 542 19 89-15

VALVE CARTRIDGES

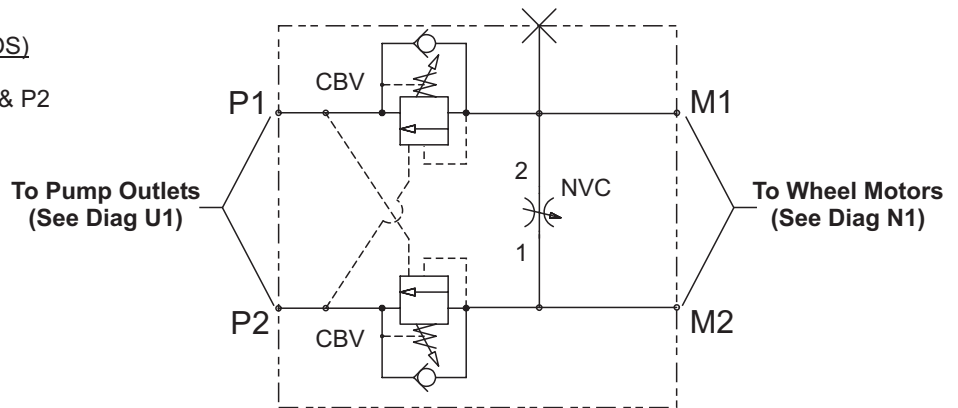
CBV - 542 19 94-14 (x2)

NVC - 542 19 89-17

FITTINGS (FTG) & HOSE (HOS)

FTG - 541 20 47-56 (x4)

HOS - 542 19 93-56 (x2) P1 & P2



ConstructionParts.com

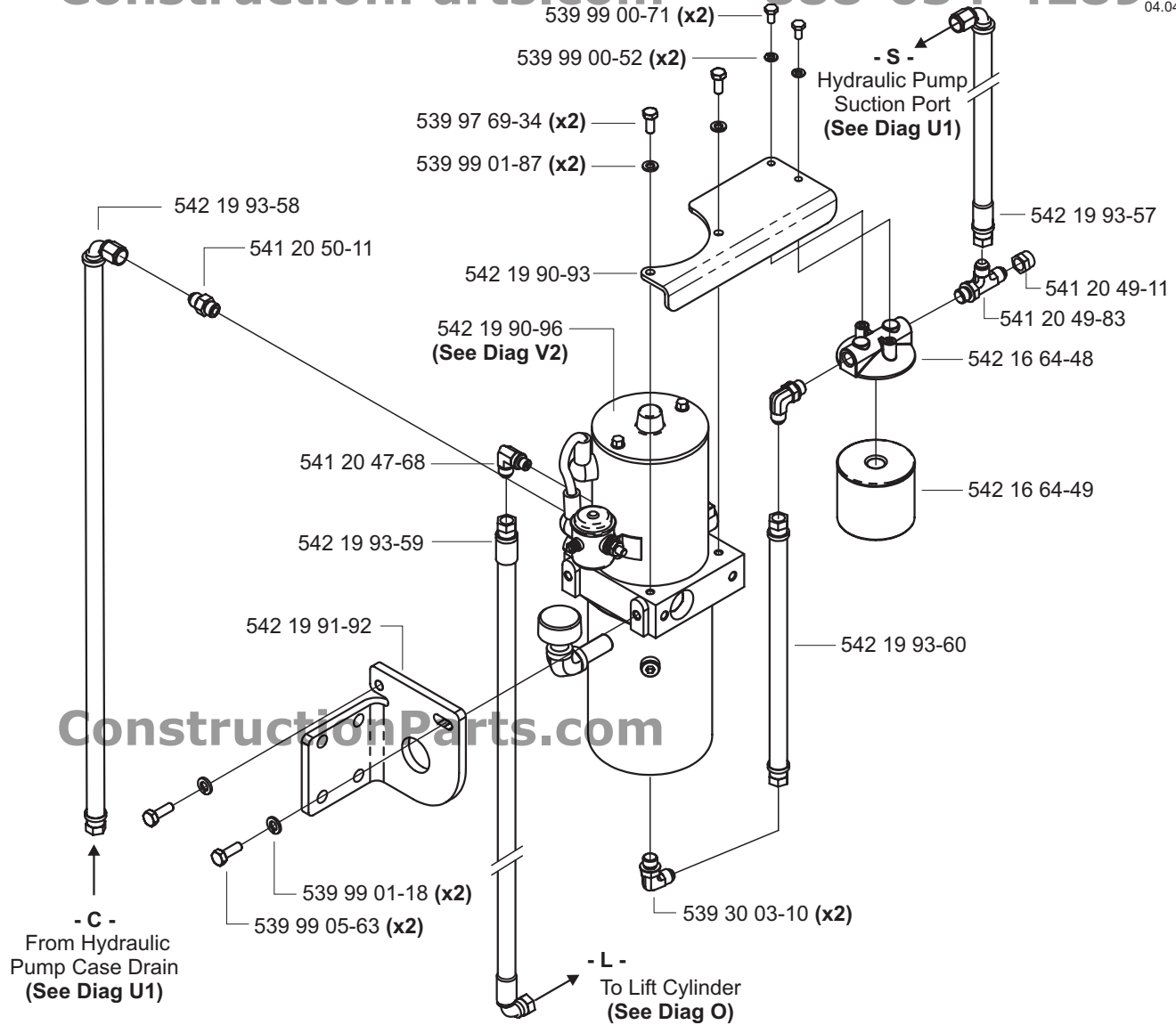
888-634-4289

HYDRAULIC SCHEMATIC

V1 Lift Pump & Filter Assy

ConstructionParts.com

888-634-4289

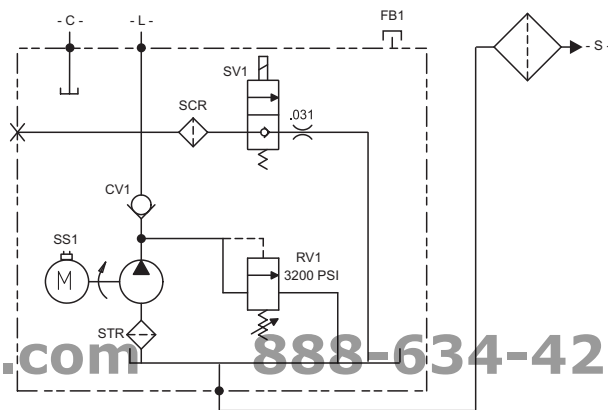


V2 Lift Pump Assy (Not Shown)

Compl 542 19 90-96

Lift Pump Service Parts

- SS1 - 542 16 61-21 Starter Switch - 12VDC
- RV1 - 542 16 33-21 Valve, Adj. Relief
- CV1 - 542 16 33-19 Valve, Check Cart.
- STR - 542 16 33-26 Strainer, Pump
- FB1 - 542 16 33-24 Cap, Filler-Breather
- SV1 - 542 18 30-06 Valve Cartridge
- " - 542 16 65-94 Coil - 12 VDC
- " - 542 18 00-23 Filter Screen
- " - 542 02 01-77 Nut, Thin Jam
- " - 542 16 33-50 Spring, Valve
- " - 542 16 33-51 Spool Kit



HYDRAULIC SCHEMATIC

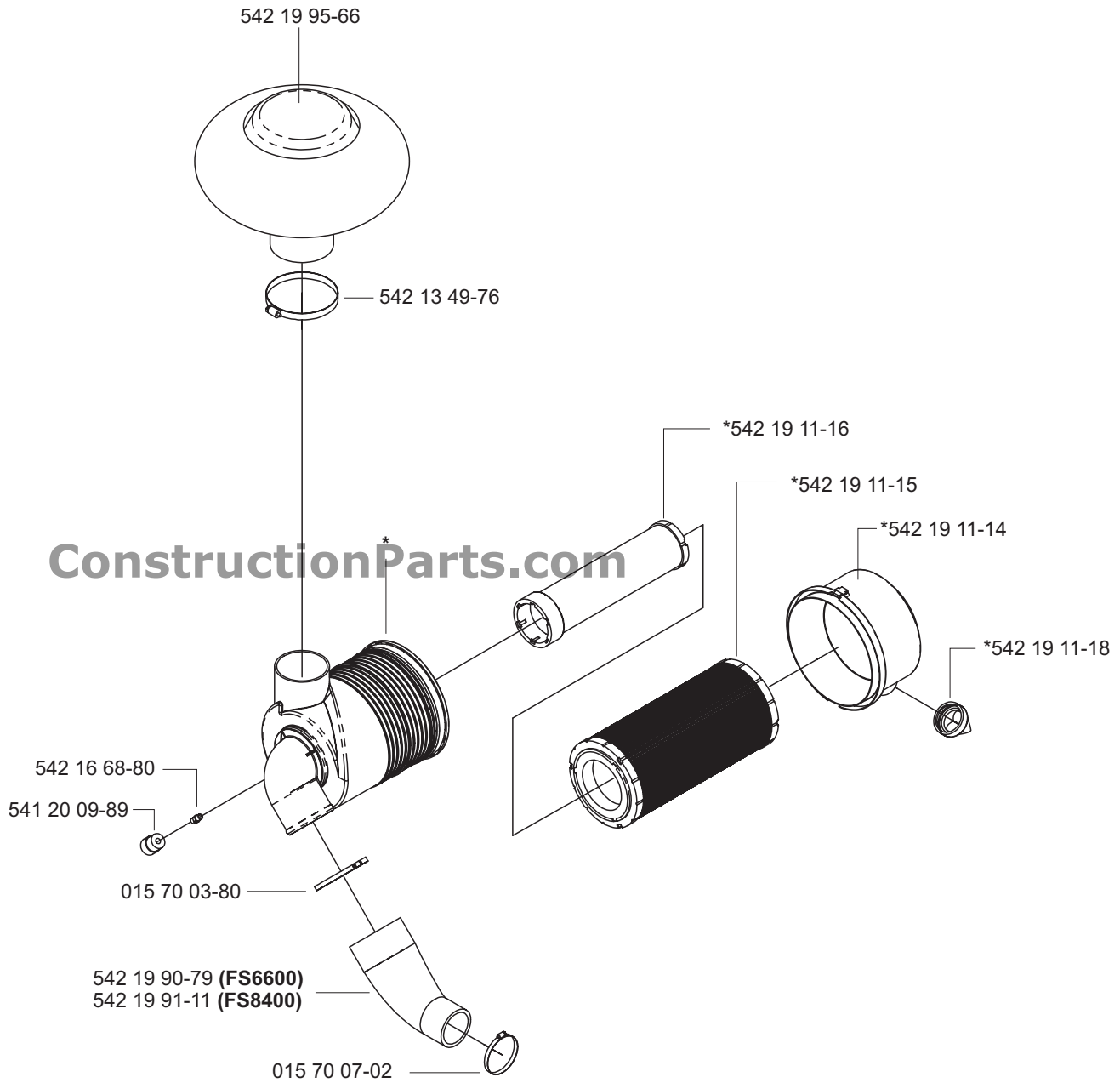
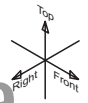
ConstructionParts.com

888-634-4289

W Air Filter Assy

*Comp Air Filter 542 19 10-82

888-634-4289



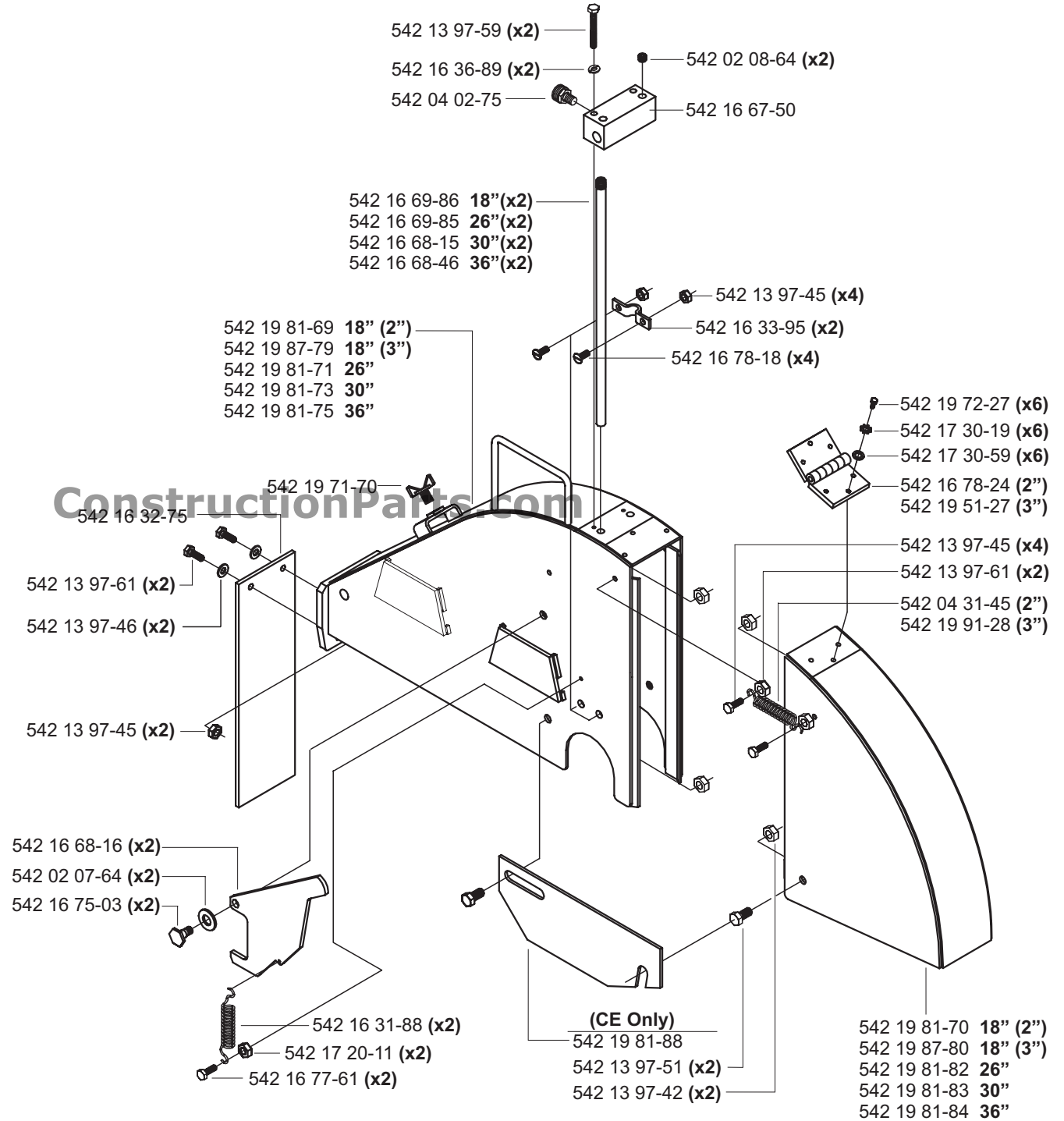
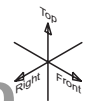
ConstructionParts.com

888-634-4289

X1 Blade Guard Assy - Slip-On

Compl. 18" - 542 19 81-63 (2" Wide)
Compl. 18" (450mm) - 542 19 87-78 (3" Wide - CE)
Compl. 26" (600mm) - 542 19 81-64
Compl. 30" (800mm) - 542 19 81-65
Compl. 36" (900mm) - 542 19 81-66

888-634-4289



*Latch Kit - 542 19 11-42
 *542 18 39-98
 *542 18 39-99

ConstructionParts.com

888-634-4289

X2 Blade Guard Assy - 42" Bolt-On

542 19 93-90 42" (1000mm) Compl
ConstructionParts.com

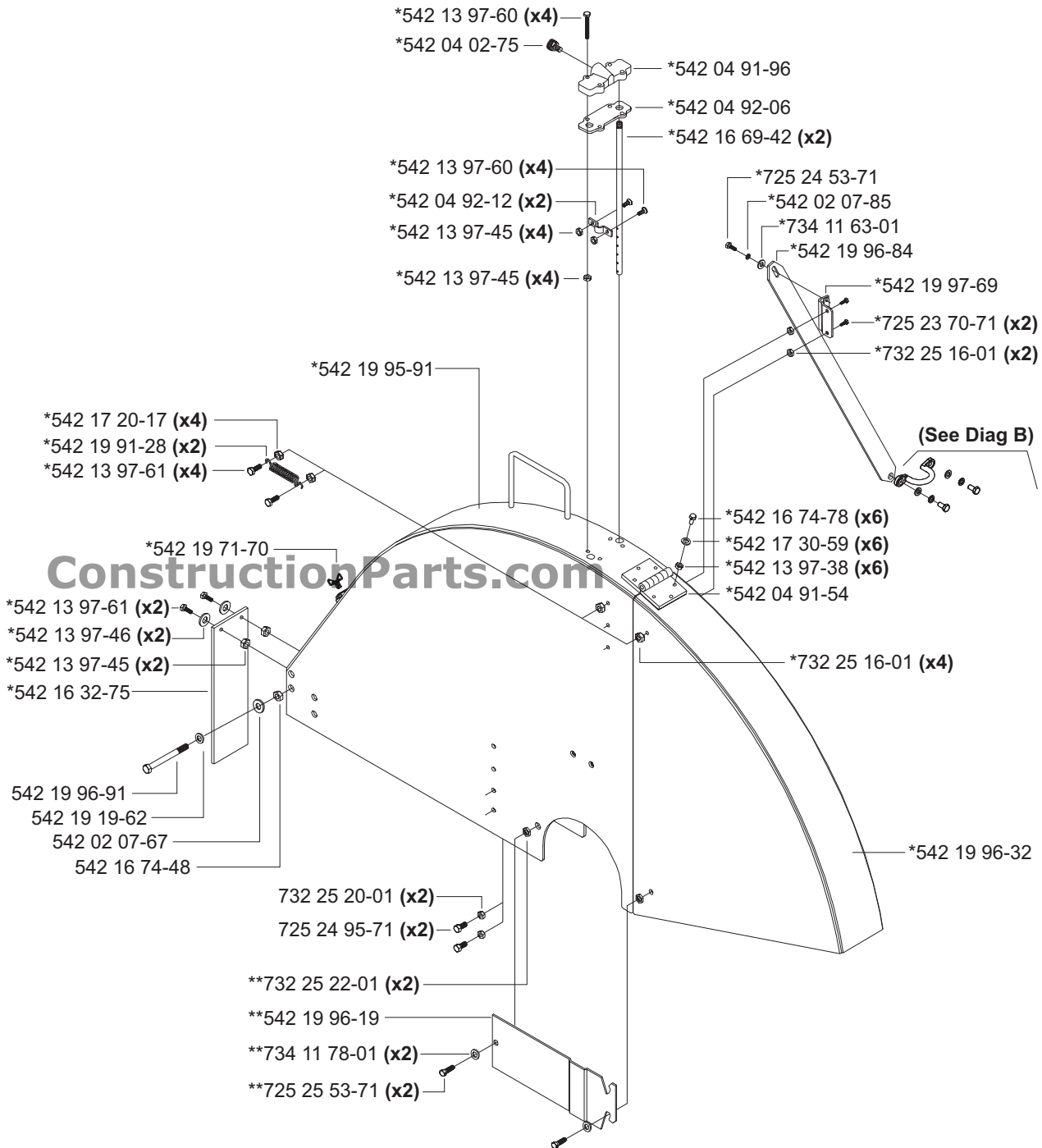
888-634-4289



*542 19 96-31 42" Blade Guard Assy ONLY

**542 19 96-19 Latch Group (CE)

04.05.05



ConstructionParts.com

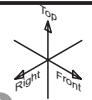
888-634-4289

X3 Blade Guard Assy - 48" Bolt-On (FS8400 Only)

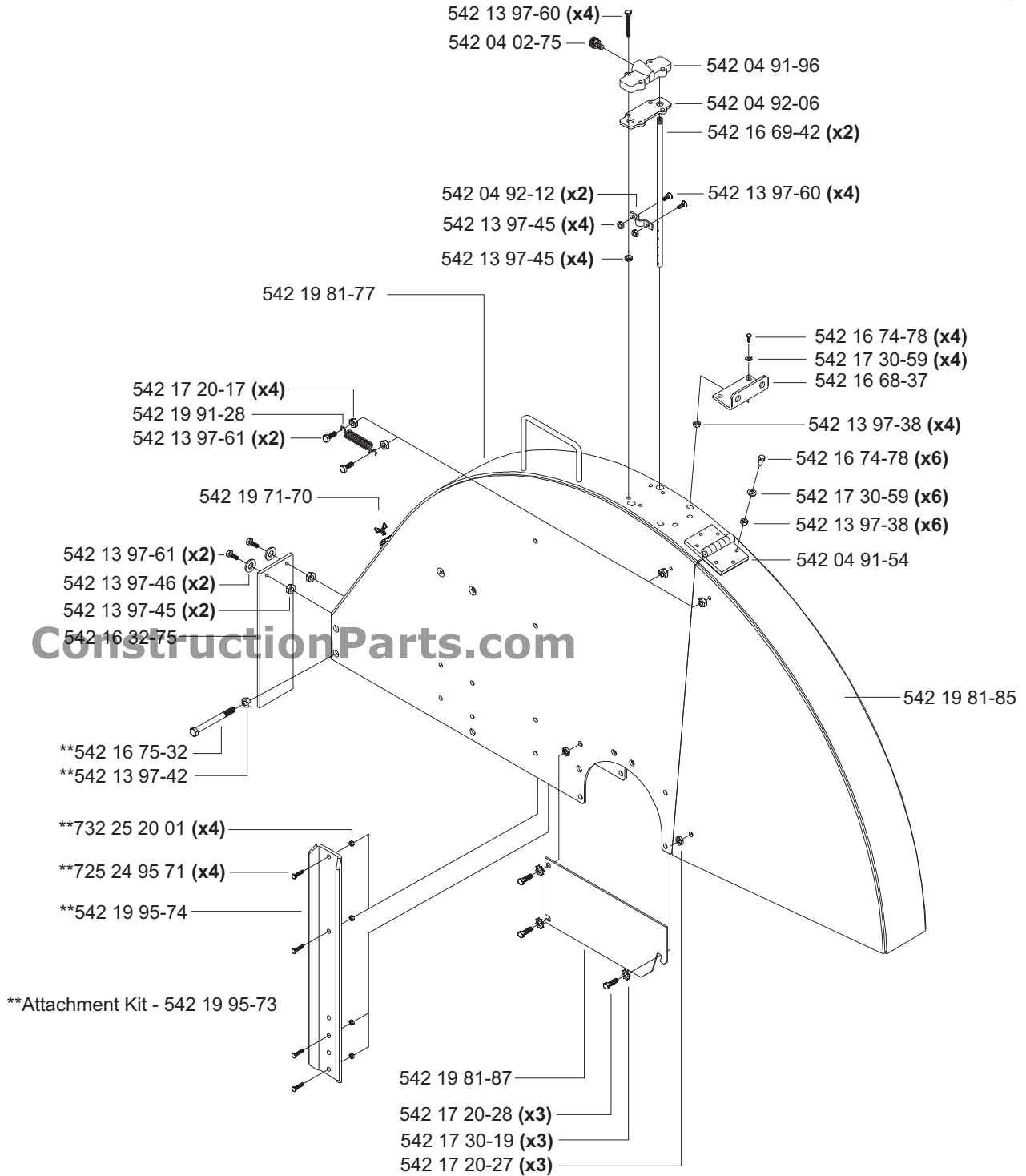
Compl. 48" (1200mm) - 542 19 81-67

ConstructionParts.com

888-634-4289



04.06.05



ConstructionParts.com

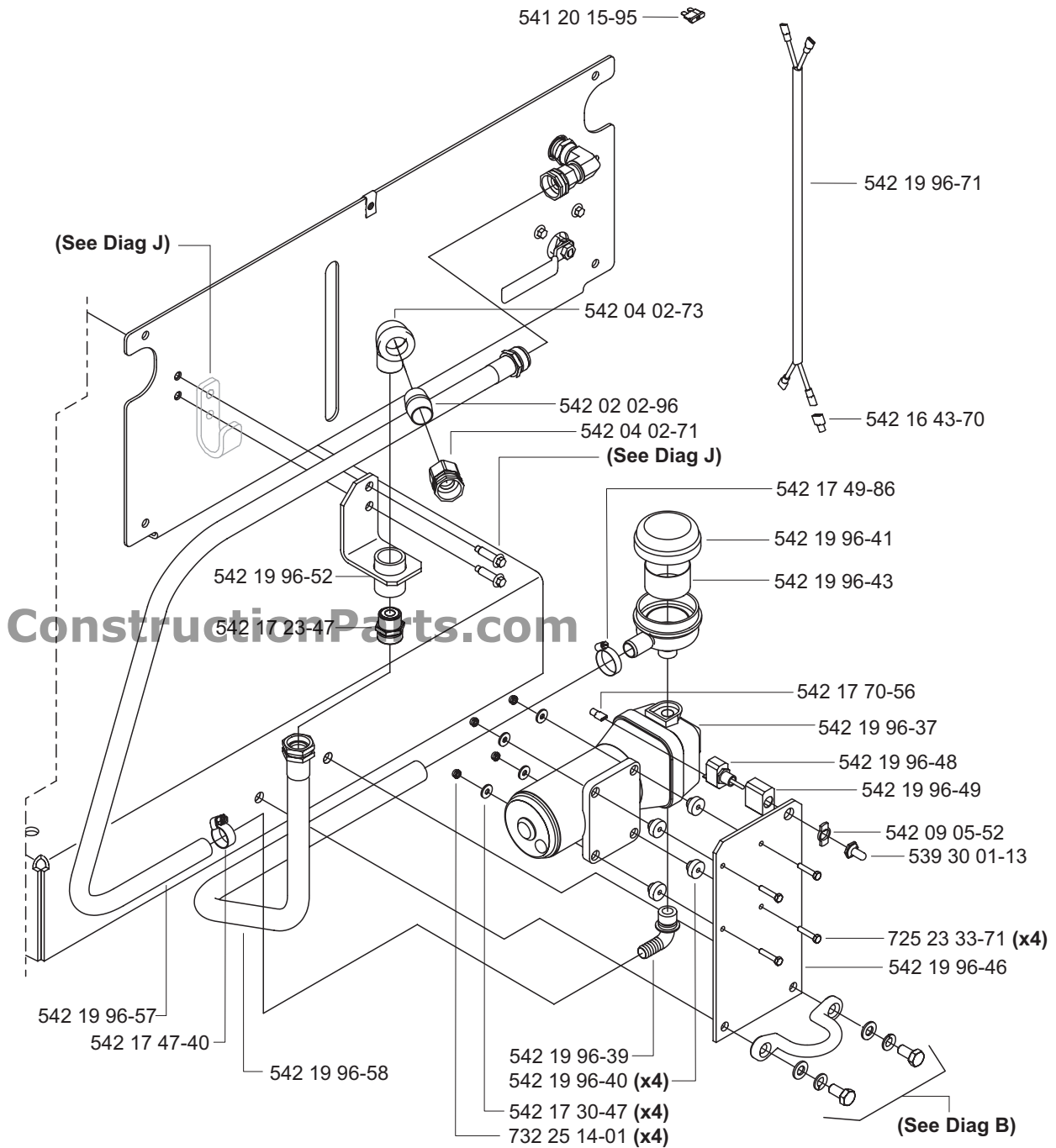
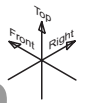
888-634-4289

Y Water Pump Kit

ConstructionParts.com

888-634-4289

Compl Kit - 542 19 96-26



ConstructionParts.com

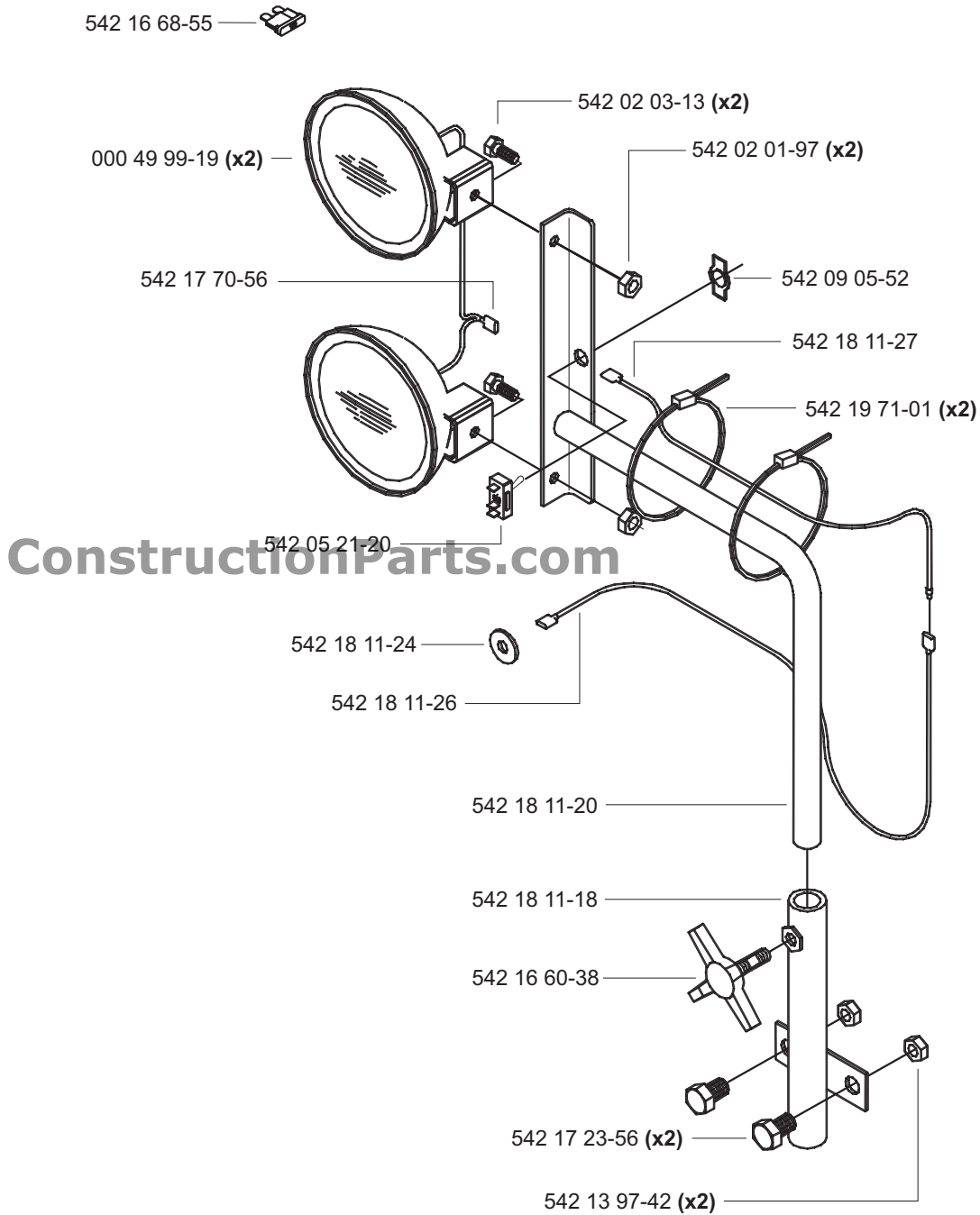
888-634-4289

Z Dual Work Light Kit

ConstructionParts.com

888-634-4289

Compl Kit - 542 18 11-17



ConstructionParts.com

888-634-4289

Dimas Corporate Office
17400 West 119th Street
Olathe, Kansas 66061
ConstructionParts.com 888-634-4289

Customer Service: 800-288-5040
Customer Serv. Fax: 800-825-0028
Corporate Office: 913-928-1000
Corp. Office Fax: 913-438-7951

Dimas South Carolina
Customer Service: 800-845-1312
Customer Serv. Fax: 800-257-9284

Dimas California
Customer Service: 310-381-3100
Customer Serv. Fax: 310-381-3194

Dimas Canada
Customer Service: 800-461-9589
Customer Serv. Fax: 800-728-1907

Dimas International
Customer Service: 913-928-1300
Customer Serv. Fax: 913-438-7938

ConstructionParts.com



DUST WARNING



Cutting, especially when DRY cutting, generates dust that comes from the material being cut, which frequently contains silica. Silica is a basic component of sand, quartz, brick clay, granite and numerous other minerals and rocks. Exposure to excessive amount of such dust can cause:

- Respiratory diseases (affecting your ability to breath), including chronic bronchitis, silicosis and pulmonary fibrosis from exposure to silica. These diseases may be fatal;
 - Skin irritation and rash; and
 - Cancer according to NTP* and IARC*
- */ National Toxicology Program / International Agency for Research on Cancer

Take precautionary steps

- Avoid inhalation of and skin contact with dust, mist and fumes;
- Wet cut when feasible, to minimize dust;
- Wear and ensure that all bystanders wear appropriate respiratory protection such as dust masks designed to filter out microscopic particles. (See OSHA 29 CFR Part 1910.1200)

California Prop 65 Warning:

Use of this product can cause exposure to materials known to the State of California to cause cancer and/or birth defects or other reproductive harm.

DIMAS

ConstructionParts.com 888-634-4289



From the Electrolux Group. The world's No. 1 choice.