



**BARTELL
GLOBAL**

**PARTS
BOOK**

WALK-BEHIND TROWELS

B436, B436E and B436SD



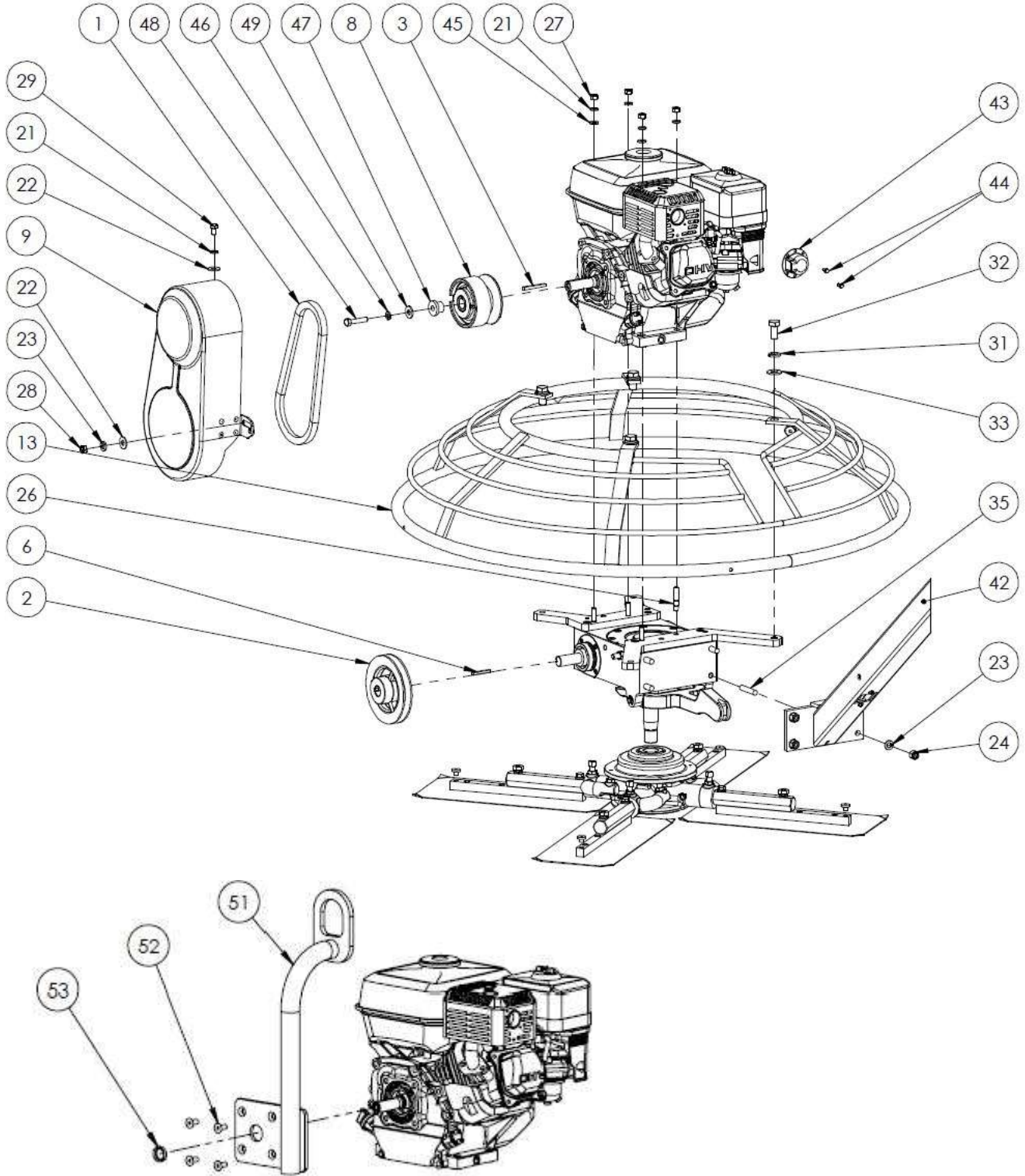
Doc. # PB-B19003
Orig. Rel. - 06/2016
Curr Rev. - 11

TABLE OF CONTENTS

<u>PARTS LIST 1 – WALK-BEHIND TROWELS</u>	1
GENERAL ASSEMBLY DIAGRAM: B436, B436SD	1
GENERAL ASSEMBLY: B436, B436SD - PARTS LIST 1	2
<u>PARTS LIST 2 – WALK-BEHIND TROWELS</u>	3
BASE UNIT ASSEMBLY DIAGRAM: B436, B436E, B436SD	3
BASE UNIT ASSEMBLY: B436, B436E, B436SD - PARTS LIST 2	4
<u>PARTS LIST 3 – WALK-BEHIND TROWELS</u>	5
GEARBOX ASSEMBLY DIAGRAM: 20921, 20943	5
GEARBOX ASSEMBLY: 20921, 20943 - PARTS LIST 3	6
<u>PARTS LIST 4 – WALK-BEHIND TROWELS</u>	8
CLUTCH ASSEMBLY DIAGRAM: 21027-2, 21029-2	8
CLUTCH ASSEMBLY: 21027-2 (3/4" SHAFT), 21029-2 (1" SHAFT) – PARTS LIST 4	8
<u>PARTS LIST 5 – WALK-BEHIND TROWELS</u>	9
SPIDER PLATE ASSEMBLY DIAGRAM: 20810	9
SPIDER PLATE ASSEMBLY: 20810 – PARTS LIST 5	9
<u>PARTS LIST 6 – WALK-BEHIND TROWELS</u>	10
PRESSURE PLATE ASSEMBLY DIAGRAM: 20627	10
PRESSURE PLATE ASSEMBLY: 20627 – PARTS LIST 6	10
<u>PARTS LIST 7 – WALK-BEHIND TROWELS</u>	11
HANDLE ASSEMBLY DIAGRAM: 20230C FINE PITCH	11
HANDLE ASSEMBLY: 20230C FINE PITCH - PARTS LIST 7	12
<u>PARTS LIST 8 – WALK-BEHIND TROWELS</u>	13
HANDLE ASSEMBLY DIAGRAM: 20230E EUROPEAN SPEC.	13
HANDLE ASSEMBLY: 20230E EUROPEAN SPEC. - PARTS LIST 8	14
<u>PARTS LIST 9 – WALK-BEHIND TROWELS</u>	15
FOLDING HANDLE ASSEMBLY DIAGRAM: 20229C	15
FOLDING HANDLE ASSEMBLY: 20229C – PARTS LIST 9	16
<u>PARTS LIST 10 – WALK-BEHIND TROWELS</u>	17
PRO PITCH HANDLE ASSEMBLY DIAGRAM: 20730	17
PRO PITCH HANDLE ASSEMBLY: 20730 – PARTS LIST 10	18
<u>PARTS LIST 11 – WALK-BEHIND TROWELS</u>	19
BLADE KIT ASSEMBLY DIAGRAM	19
B436 BLADE KIT – PARTS LIST 11	19

PARTS LIST 1 – WALK-BEHIND TROWELS

GENERAL ASSEMBLY DIAGRAM: B436, B436SD

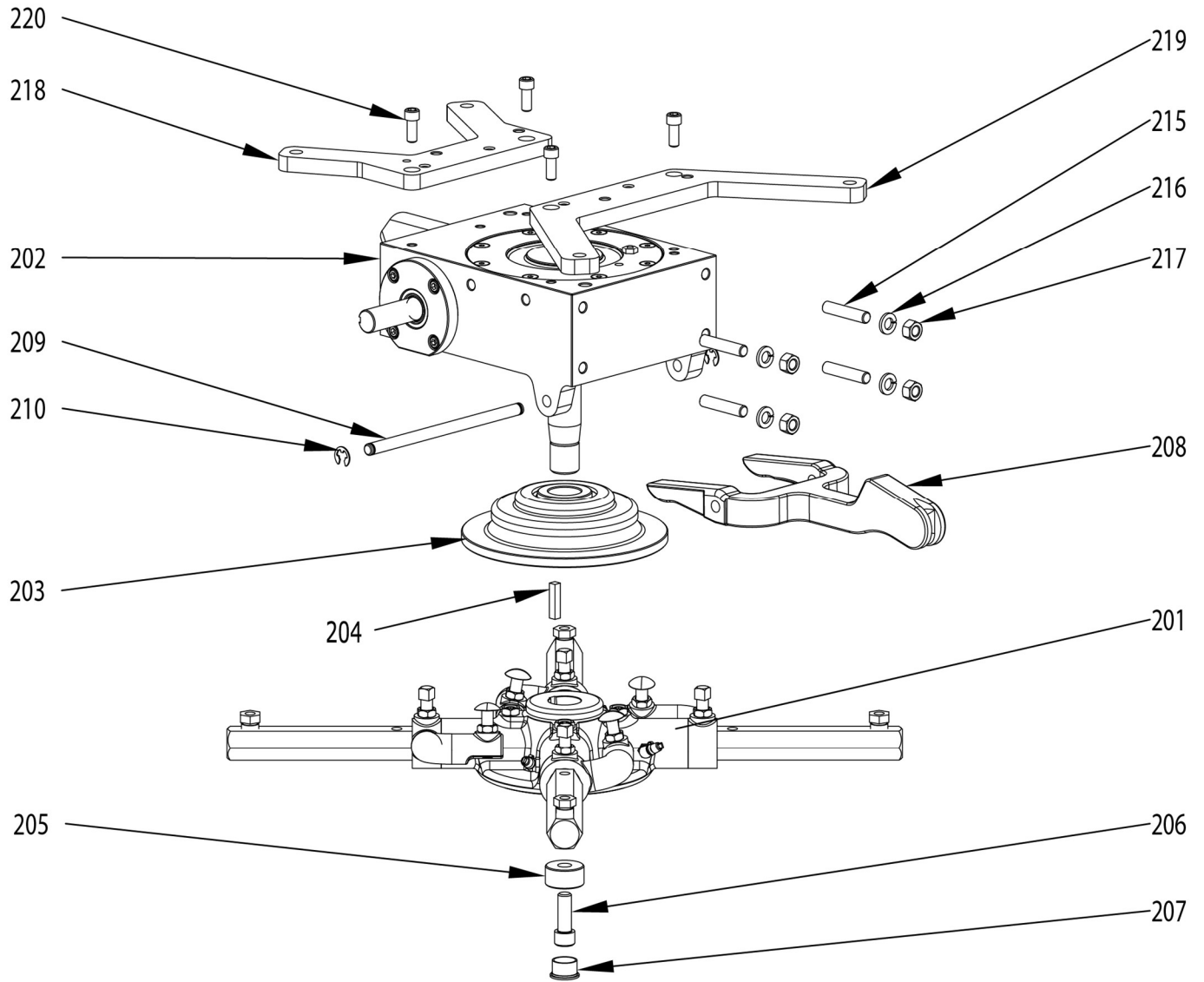


GENERAL ASSEMBLY: B436, B436SD - PARTS LIST 1

Item #	Part #	Description	QTY	Remarks
1	10740 (GX160) 11047 (GX270)	BELT, B25 BELT, B28	1	10/09/2012 8/16/2007
2	10739 (GX160) 14285 (GX270)	SHEAVE/PULLEY, 5.45" OD SHEAVE/PULLEY, 5.75" OD	1	10/09/2012
3	10206 (GX160) 11003(GX270)	SQUARE KEY, 3/16" x 1 7/8" LG SQUARE KEY, 1/4" x 2" LG	1	8/16/2007
6	10208	SQUARE KEY, 3/16" x 1 1/2" LG	1	8/16/2007
8	21027-2 (GX160) 21029-2 (GX270)	CLUTCH, 3/4" BORE CLUTCH, 1" BORE	1	06/08/2004
9	21067-1	BELT GUARD	1	10/09/2012
13	20447	GUARD RING	1	06/08/2004
21	10402 (GX160) 10902 (GX270)	WASHER, LOCK, 5/16" WASHER, LOCK, 3/8"	4	06/08/2004
26	14653 (GX160) 14650 (GX270)	STUD, ENGINE MOUNT -	4	1/16/2013 4/15/2011
27	10915 (GX160) 10901 (GX270)	HEX NUT, 5/16"-18UNC, GRADE 5 HEX NUT, 3/8"-16UNC, GRADE 5	4	06/08/2004
31	10009	WASHER, LOCK, 1/2"	4	4/15/2011
32	13781	HHCS, 1/2-13UNC x 1" LG	4	4/15/2011
33	50026	WASHER, FLAT, 1/2"	4	4/15/2011
42	20230C 20230E 20229 20360	HANDLE ASSEMBLY, FINE PITCH HANDLE ASSEMBLY, EU SPEC. HANDLE ASSEMBLY, FOLDING HANDLE ASSEMBLY, PRO PITCH	1	07/20/2014
43	11112	MUFFLER DEFLECTOR	1	8/21/2007
44	11115	BOLT, HEX HEAD, #8 3/8",	2	4/15/2011
45	10919 (GX160) 10905 (GX270)	WASHER, FLAT, 5/16" WASHER, FLAT, 3/8"	4	4/15/2011 4/15/2011
46	10402 (GX160) N/A (GX270)	LOCKWASHER, 5/16", MEDIUM SPLIT -	1	07/01/2017
47	20289 (GX160) N/A (GX270)	CLUTCH SLEEVE -	1	07/01/2017
48	981045 (GX160) 993480 (GX160) N/A (GX270)	HHCS, 5/16-24NFx1-1/2" LG HHCS, 5/16-24UNF X 1-3/4" LG (HOIST HOOK) -	1	07/01/2017
49	10919 (GX160) N/A (GX270)	WASHER, FLAT, 5/16" DIA -	1	07/01/2017
51	20189 (GX160) 20171 (GX270)	HOIST HOOK (OPTIONAL)	1	06/08/2004
52	30041	FHSCS, 5/16"-24 x 3/4" (W/ HOIST HOOK)	4	06/08/2004
53	11254 (GX160)	CLUTCH SPACER (W/ HOIST HOOK)	1	06/08/2004
	01109-B436-1	DECAL KIT, B436	1	
	01109-FAM-B	ROUND BARTELL DECAL	1	

PARTS LIST 2 – WALK-BEHIND TROWELS

BASE UNIT ASSEMBLY DIAGRAM: B436, B436E, B436SD

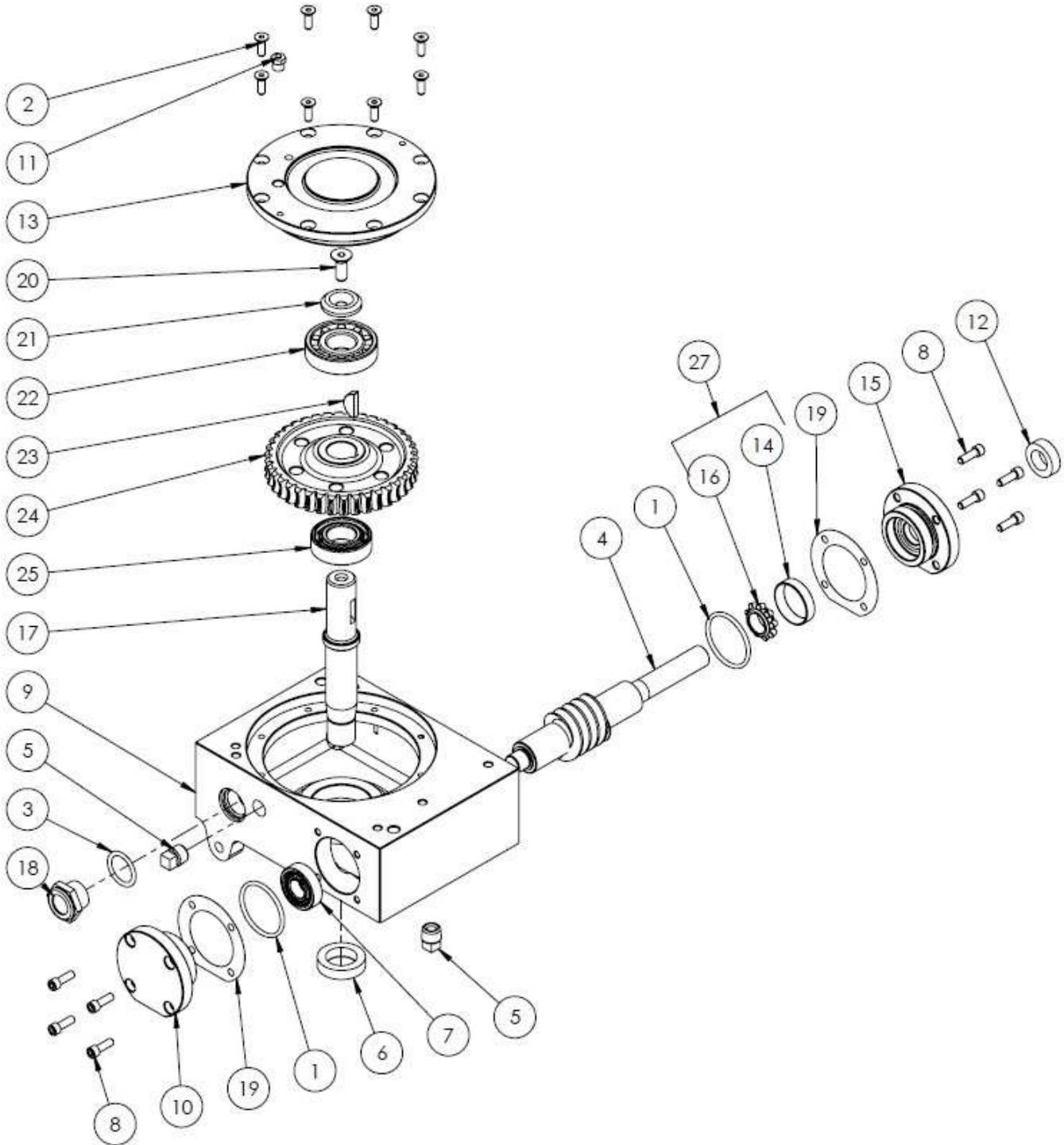


BASE UNIT ASSEMBLY: B436, B436E, B436SD - PARTS LIST 2

Item #	Part #	Description	QTY	Remarks
201	20810	SPIDER PLATE ASSEMBLY (SEE PARTS LIST 5)	1	5/1/2004
202	20921	GEARBOX ASSEMBLY, B436, B436E	1	4/7/1998
	20943	GEARBOX ASSEMBLY, B436SD (SEE PARTS LIST 3)		4/7/1998
203	20627	PRESSURE PLATE ASSEMBLY (SEE PARTS LIST 6)	1	1/1/1997
204	10608	KEY, 1/4" SQ x 1-5/32" LG	1	1/1/1997
205	10814	SPIDER PLATE RETAINER	1	1/1/1997
206	10812	SHCS, 7/16"-14UNC x 1 1/4" LG	1	1/1/1997
207	10823	CAP PLUG EC-12	1	1/1/1997
208	10312	YOKE ARM	1	3/1/2004
209	10923	YOKE PIN	1	1/1/1997
210	10922	RETAINING RING, E TYPE, 3/8" DIA	2	1/1/1997
215	11339	STUD, 3/8"-16 x 1-1/2" LG	4	1/1/1997
216	10902	WASHER, LOCK, 3/8" DIA, MEDIUM	4	1/1/1997
217	10901	HEX NUT, 3/8"-16UNC	4	1/1/1997
218	15344	MOUNTING RAIL, FRONT	1	5/15/2011
219	15345	MOUNTING RAIL, REAR	1	5/15/2011
220	10357	SHCS, 5/16-18x3/4" LG	4	5/15/2011

PARTS LIST 3 – WALK-BEHIND TROWELS

GEARBOX ASSEMBLY DIAGRAM: 20921, 20943



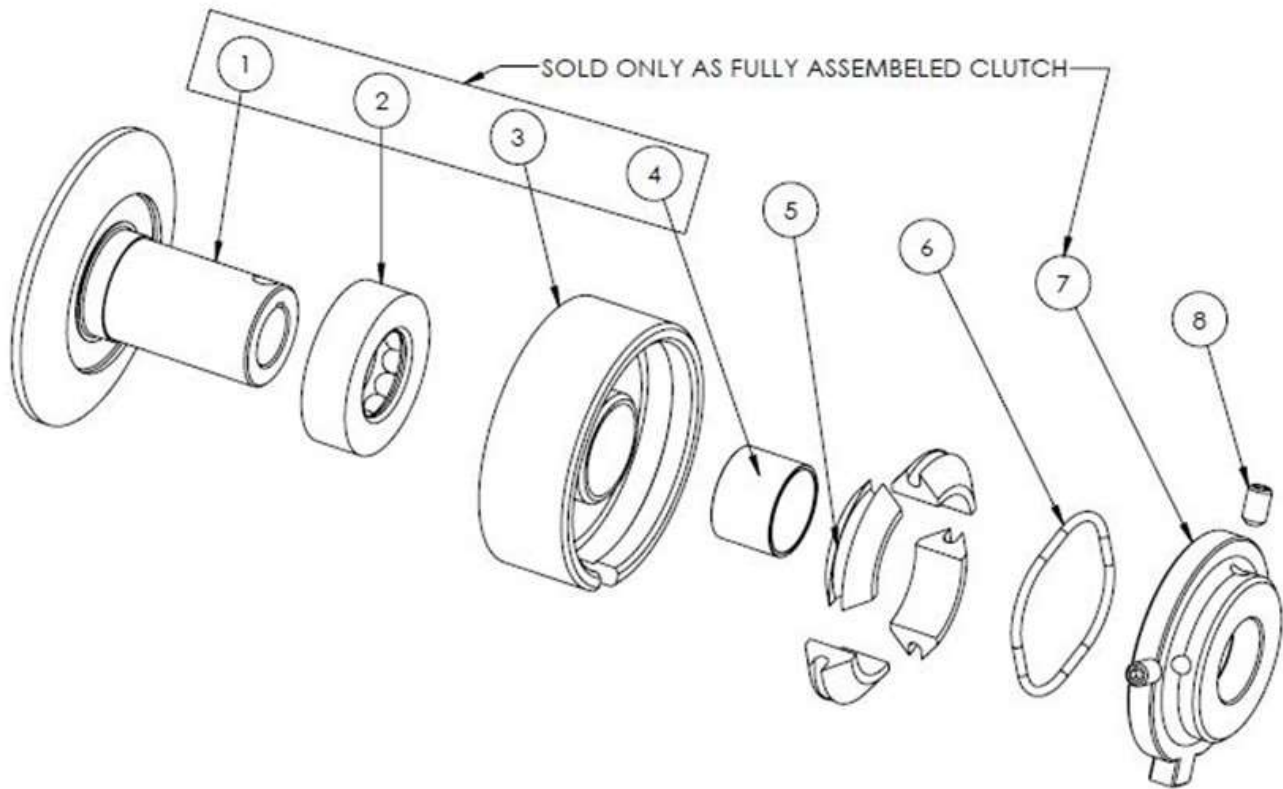
GEARBOX ASSEMBLY: 20921, 20943 - PARTS LIST 3

Item #	Part #	Description	QTY	Remarks
1	10227	SM O-RING	2	09/27/2007
2	10916	FHCS, 1/4"-20NC X 3/4" LG, PLAIN	8	09/27/2007
3	10931	O RING, No. 213	1	09/27/2007
4	10279 10242	SMALL WORMSHAFT, RH (FOR 20921) SLOW DRIVE WORMSHAFT, RH (FOR 20943)	1	09/27/2007
5	10911	PLUG 3/8 NPT	2	09/27/2007
6	10677	OIL SEAL, 1-1/16" ID x 1.628" OD x 5/16 THICK	1	09/27/2007
7	10224	BEARING, RADIAL BALL, 6203U	1	09/27/2007
8	10213	SHCS, 1/4"-20NC X 3/4" LG, GRADE 5, ZP	8	09/27/2007
9	10921	SMALL GEARBOX, HOUSING	1	09/27/2007
10	10226	SMALL END CAP	1	09/27/2007
11	10909	RELIEF VALVE	1	09/27/2007
12	10678	OIL SEAL, .75" ID x 1.254" OD x 3/8 THICK	1	09/27/2007
13	10917	GEARBOX COVER, SMALL	1	09/27/2007
14	10220	BEARING CONE	1	09/27/2007
15	10217	GEARBOX FLANGE, SMALL	1	09/27/2007
16	10219	BEARING CUP	1	09/27/2007
17	10618	MAIN SHAFT	1	09/27/2007
18	10930	SIGHT PLUG	1	09/27/2007
19	10216	SM GASKET .010 THICK	2	09/27/2007
20	10601	FHSCS, LH, 3/8"-16UNC x 1" LG, GR. 5	1	09/27/2007
21	10613	PRESSURE WASHER	1	09/27/2007
22	10614	BEARING 4T-30305	1	09/27/2007
23	10615	WOODRUFF KEY 8630 STEEL	1	09/27/2007
24	10616 10634	SMALL BRONZE GEAR (FOR 20921) SLOW DRIVE BRONZE GEAR (FOR 20943)	1	09/27/2007
25	10617	BEARING #6205UT	1	09/27/2007
26	10637	LOCKWASHER, 3/8", COUNTERSUNK	1	09/27/2007

This Page Intentionally Left Blank

PARTS LIST 4 – WALK-BEHIND TROWELS

CLUTCH ASSEMBLY DIAGRAM: 21027-2, 21029-2

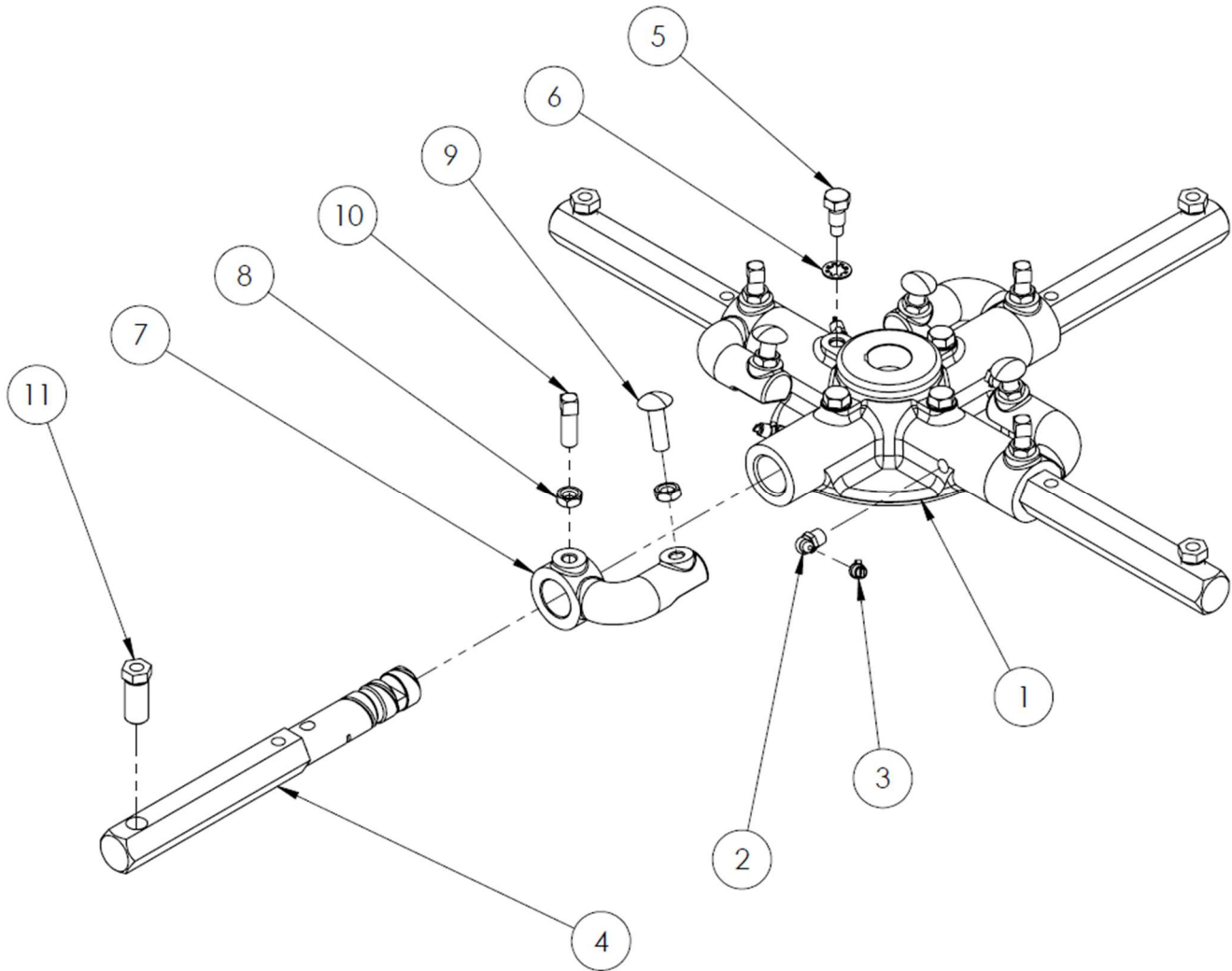


CLUTCH ASSEMBLY: 21027-2 (3/4" SHAFT), 21029-2 (1" SHAFT) – PARTS LIST 4

Item #	Part #	Description	QTY	Remarks
1	11484(3/4" SHAFT) 11045(1" SHAFT)	SPINDLE	1	8/21/2007
2	11044	BEARING	1	8/21/2007
3	21046	DRUM W/BUSHING	1	8/21/2007
4	11012	BUSHING	1	8/21/2007
5	11014	WEIGHT (SHOE)	4	8/21/2007
6	10759-2	SPRING	1	8/21/2007
7	11015	FACE PLATE	1	8/21/2007
8	50117	SET SCREW 5/16 – 18 UNC	2	8/21/2007
	14955	KIT, 4 WEIGHTS AND FACEPLATE	1	7/25/2019

PARTS LIST 5 – WALK-BEHIND TROWELS

SPIDER PLATE ASSEMBLY DIAGRAM: 20810

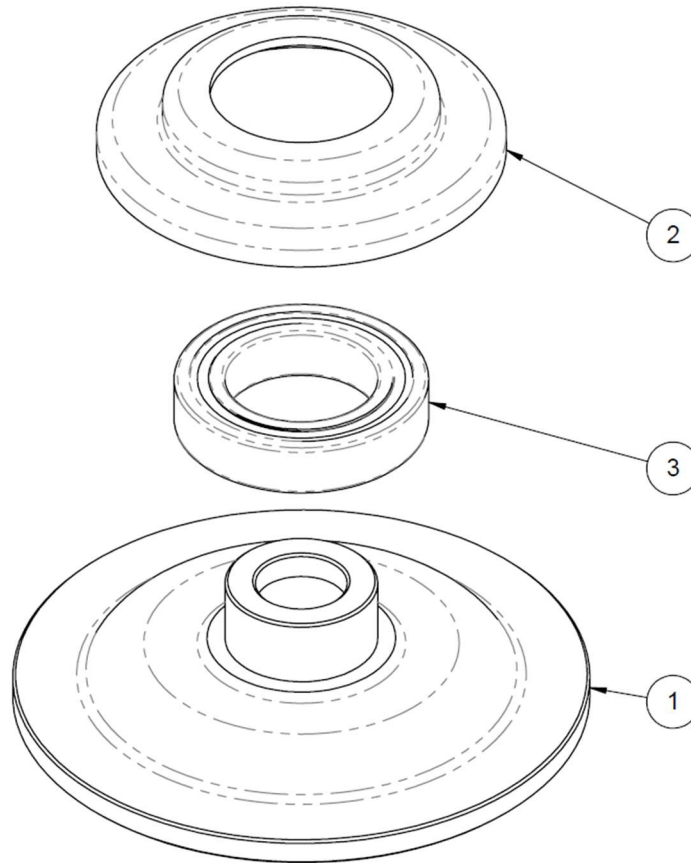


SPIDER PLATE ASSEMBLY: 20810 – PARTS LIST 5

Item #	Part #	Description	QTY	Remarks
1	10810	SPIDER PLATE (SMALL)	1	1/1/1997
2	10801	GREASE FITTING, 65 DEG, 1/8 NPT	4	1/1/1997
3	10822	CAP GREASE, NIPPLE, 1/8 ALEMITE	4	1/1/1997
4	10411	TROWEL ARM (SMALL)	4	9/5/2000
5	10806	3/8-UNC DOG POINT BOLT	4	1/1/1997
6	10805	LOCKWASHER, INT. STAR 3/8 STEEL	4	1/1/1997
7	10817	LIFT LEVER (SMALL)	4	9/12/2000
8	10808	HEX JAM NUT 3/8-16 UNC	8	1/1/1997
9	10807	CARRIAGE BOLT, 3/8-16x1 1/4"LG	4	1/1/1997
10	10809	SQ. HEAD, SET SCREW, 3/8-16 x 1" LG. STEEL	4	1/1/1997
11	10404	ADJUSTING SCREW 1-1/4"LG	4	1/1/1997

PARTS LIST 6 – WALK-BEHIND TROWELS

PRESSURE PLATE ASSEMBLY DIAGRAM: 20627

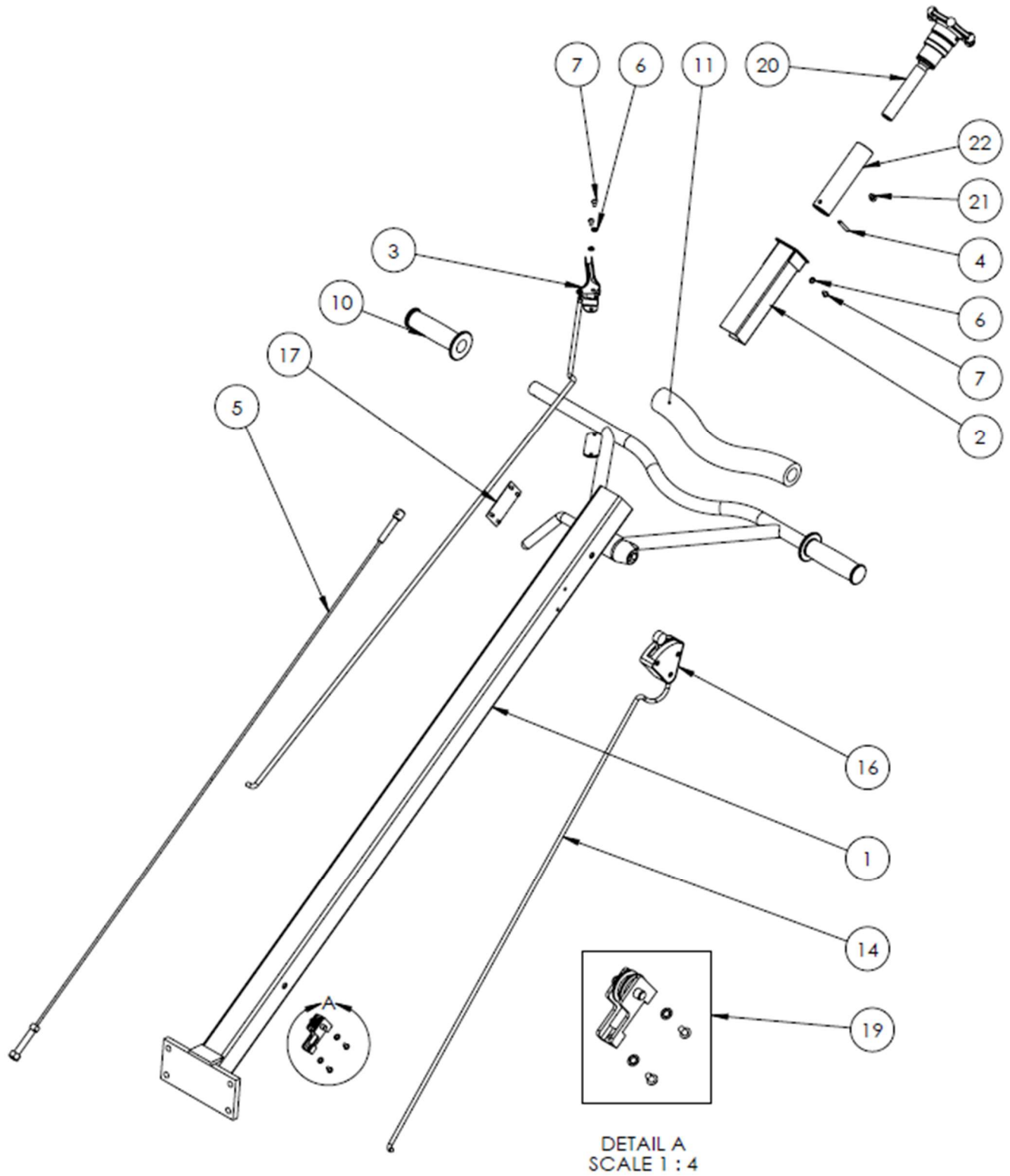


PRESSURE PLATE ASSEMBLY: 20627 – PARTS LIST 6

Item #	Part #	Description	QTY	Remarks
1	10660	PRESSURE PLATE	1	1/1/1997
2	10668	PRESSURE PLATE CAP	1	12/6/2002
3	10664	THRUST BEARING P/P	1	1/1/1997

PARTS LIST 7 – WALK-BEHIND TROWELS

HANDLE ASSEMBLY DIAGRAM: 20230C FINE PITCH

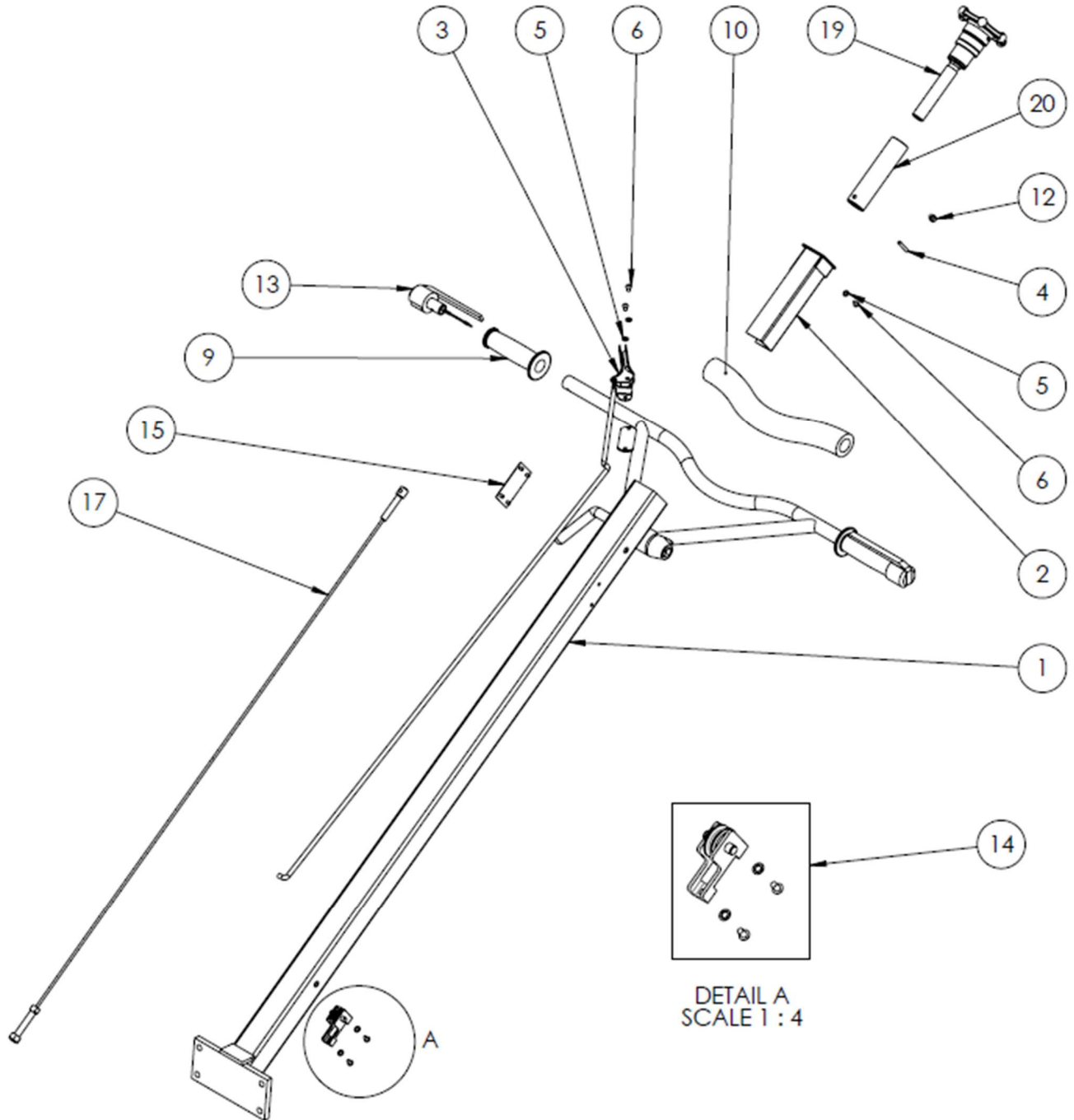


HANDLE ASSEMBLY: 20230C FINE PITCH - PARTS LIST 7

Item #	Part #	Description	QTY	Remarks
1	20230C	MEDIUM STRAIGHT HANDLE, FULLY ASSEMBLED	1	10/01/2014
2	20112	PITCH INSERT	1	10/01/2014
3	10508	THROTTLE LEVER ASSEMBLY	1	10/01/2014
4	21724	PIN 3/16"DIA X 1-1/4"LG	1	10/01/2014
5	20331	PITCH CONTROL CABLE, 43-5/16" HOLE TO END OF LUG	1	10/01/2014
6	10703	LOCK WASHER, INTERNAL TOOTH, #10	3	10/01/2014
7	21728	RHMS, M5-0.8 X 8MM LG	3	10/01/2014
10	21717	HANDLE GRIP	2	10/01/2014
11	21721	CROSSBAR PAD	1	10/01/2014
14	20702	66" WIRE ASSEMBLY	1	10/01/2014
16	21847	SAFETY SWITCH	1	10/01/2014
17	20111	COVER PLATE	1	10/01/2014
19	20288	PULLEY ASSEMBLY	1	10/01/2014
20	21714	ASSY, HAND KNOB	1	10/01/2014
21	21725	M6-1.0 X 6MM LG	1	10/01/2014
22	21722	THREADED SLIDE BUSHING	1	10/01/2014
	20781	HANDLE LOCKING PIN	1	
	10525-SQPRO	BARTELL DECAL KIT	1	

PARTS LIST 8 – WALK-BEHIND TROWELS

HANDLE ASSEMBLY DIAGRAM: 20230E EUROPEAN SPEC.

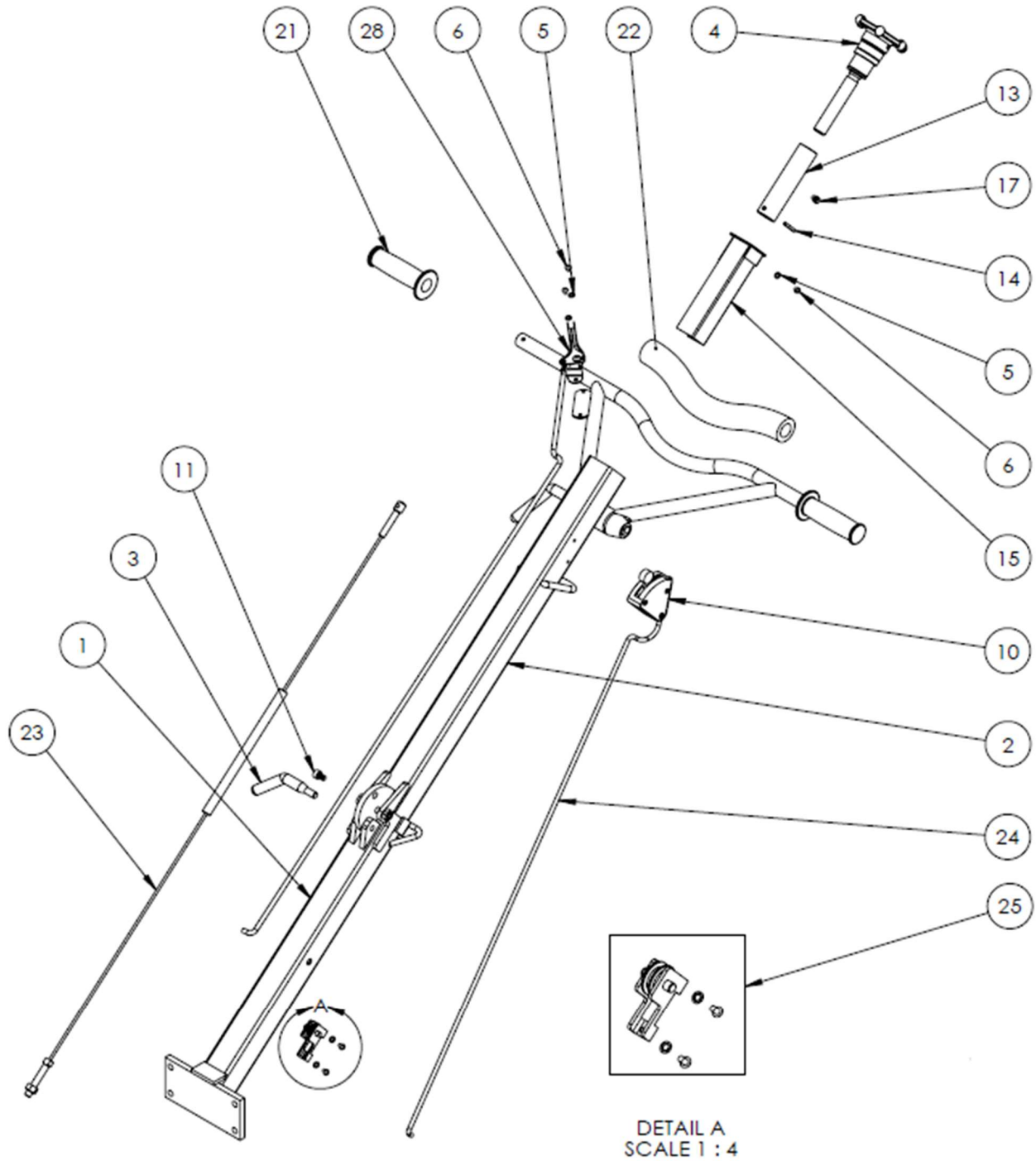


HANDLE ASSEMBLY: 20230E EUROPEAN SPEC. - PARTS LIST 8

Item #	Part #	Description	QTY	Remarks
1	20230E	MEDIUM STRAIGHT HANDLE B436	1	10/01/2014
2	20112	PITCH INSERT	1	10/01/2014
3	10508	THROTTLE LEVER ASSEMBLY	1	10/01/2014
4	21724	PIN 3/16"DIA X 1-1/4"LG	1	10/01/2014
5	10703	LOCK WASHER, INTERNAL TOOTH, #10	3	10/01/2014
6	21728	RHMS, M5-0.8 X 8MM LG	3	10/01/2014
9	21717	HANDLE GRIP	2	10/01/2014
10	21721	CROSSBAR PAD	1	10/01/2014
12	21725	M6-1.0 X 6MM LG	1	10/01/2014
13	11852	SAFETY SWITCH, PIGTAIL WIRES	2	10/01/2014
14	20288	PULLEY ASSEMBLY	1	10/01/2014
15	20113	PITCH FACEPLATE	1	10/01/2014
17	20335	PITCH CONTROL CABLE, 1331MM HOLE TO END OF LUG	1	10/01/2014
19	21714	HAND KNOB ASSEMBLY	1	10/01/2014
20	21722	THREADED SLIDE BUSHING	1	10/01/2014
		EURO WIRE ASSEMBLY	1	10/01/2014
	10525-SQPRO	BARTELL DECAL KIT	1	

PARTS LIST 9 – WALK-BEHIND TROWELS

FOLDING HANDLE ASSEMBLY DIAGRAM: 20229C

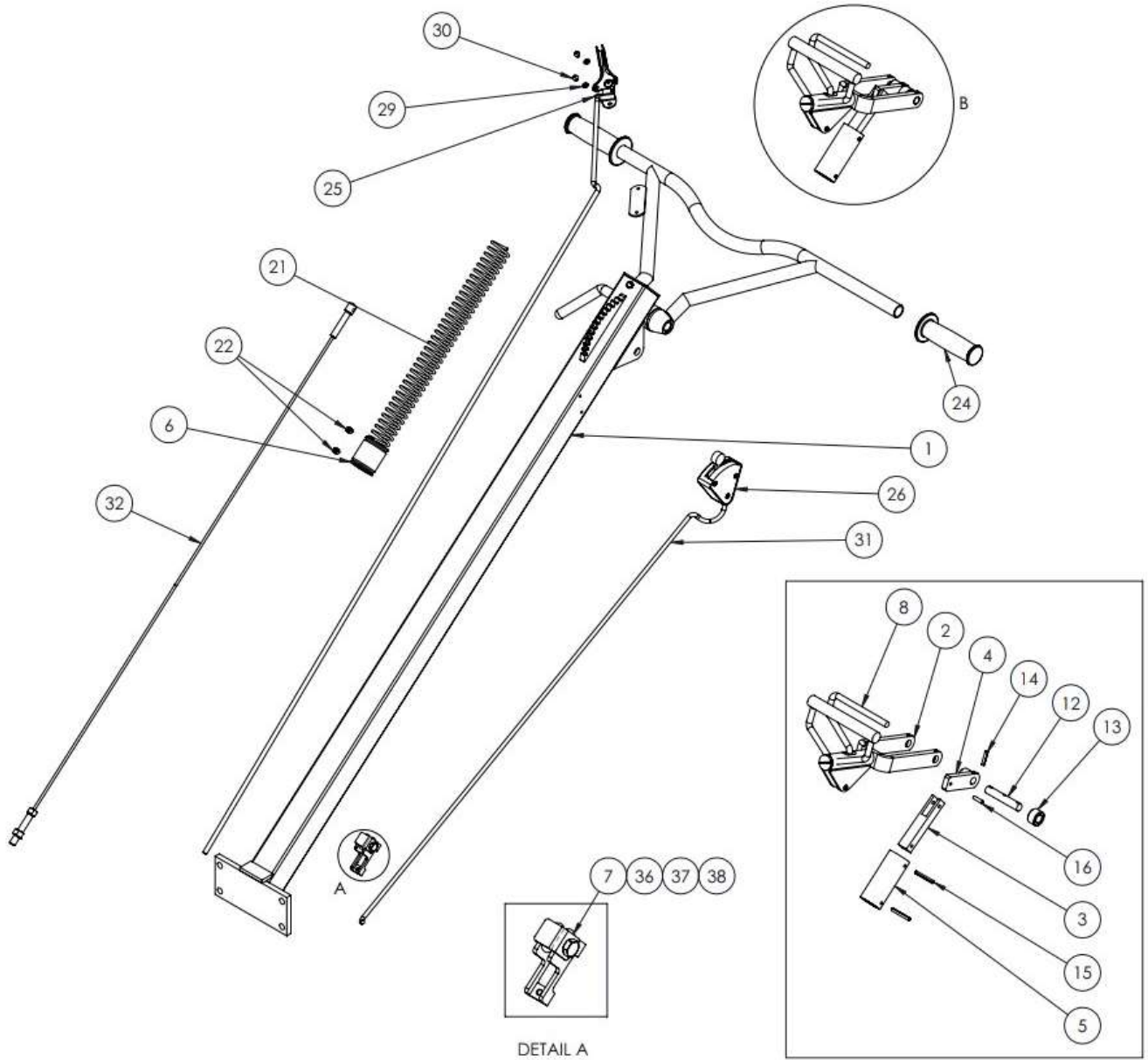


FOLDING HANDLE ASSEMBLY: 20229C – PARTS LIST 9

Item #	Part #	Description	QTY	Remarks
2	20229	FOLDING HANDLE, EURO	1	1/21/2015
3	20195	THREADED PIN	1	1/21/2015
4	21714	HAND KNOB ASSEMBLY	1	1/21/2015
5	10703	LOCK WASHER, INTERNAL TOOTH, #10	5	1/21/2015
6	21728	RHMS, M5-0.8x8MM LG	5	1/21/2015
10	21847	SAFETY SWITCH	1	1/21/2015
11	51010	SHCS, M8-1.25X12MM LG	2	1/21/2015
13	21722	THREADED SLIDE BUSHING	1	1/21/2015
14	21724	PIN 3/16" DIA x1-1/4" LG	1	1/21/2015
15	20112	PITCH INSERT	1	1/21/2015
17	21725	M6-1.0 x 6MM LG	1	1/21/2015
21	21717	HANDLE GRIP	2	1/21/2015
22	21721	CROSSBAR PAD	1	1/21/2015
23	20331	PITCH CONTROL CABLE, 43-5/16" HOLE TO END OF LUG	1	1/21/2015
24	20703	66" WIRE ASSY	1	1/21/2015
25	20287	PULLEY ASSEMBLY	1	1/21/2015
28	10508	THROTTLE LEVER ASSEMBLY	1	1/21/2015
	10525-SQPRO	BARTELL DECAL KIT	1	

PARTS LIST 10 – WALK-BEHIND TROWELS

PRO PITCH HANDLE ASSEMBLY DIAGRAM: 20730

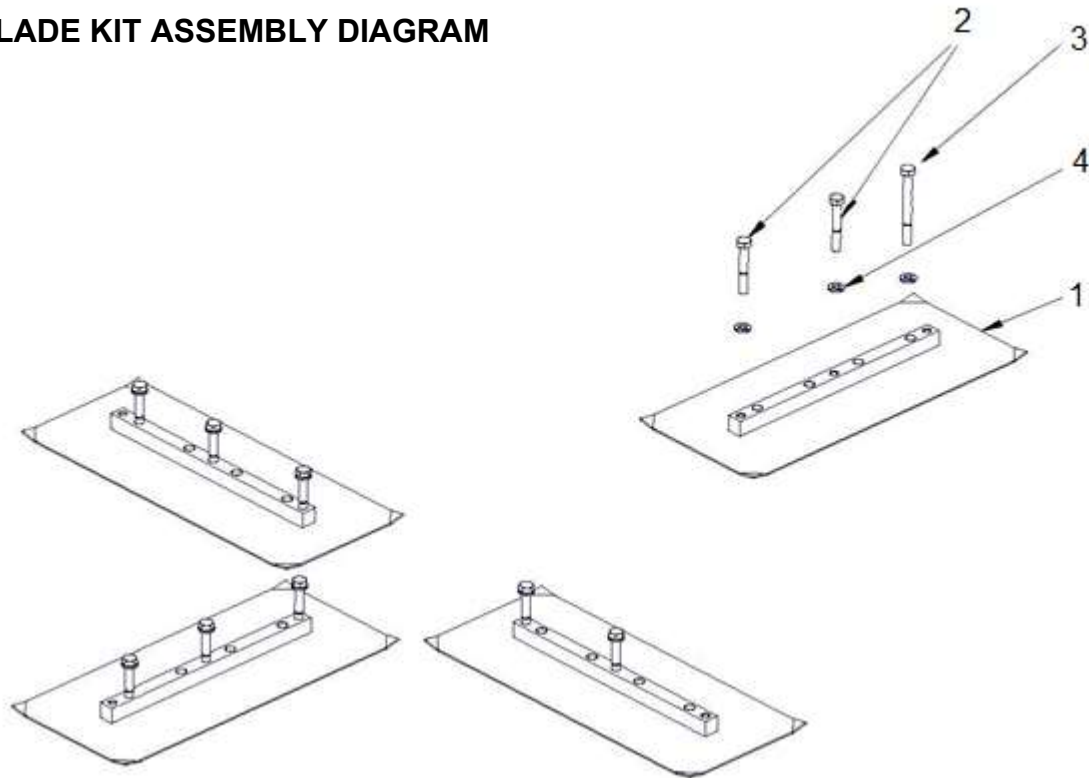


PRO PITCH HANDLE ASSEMBLY: 20730 – PARTS LIST 10

Item #	Part #	Description	QTY	Remarks
1	20360	PRO PITCH HANDLE ASSM, COMPLETE	1	
2	23250	PRO PITCH LEVER ASSM	1	
3	23256	CONNECTING ROD 1	1	
4	23255	CONNECTING ROD 2	1	
5	23257	ALUMINUM BUSHING	1	
6	23258	SPRING STOP	1	
7	20288	PULLEY ASSEMBLY	1	
8	23251	LEVER	1	
12	23254	PIVOT PIN	1	
13	23261	SPACER, 25x14x15	2	
14	21806	SPRING PIN, M5 X 24MM	3	
15	21994	SPRING PIN, M5 X 40MM	2	
16	21995	SPRING PIN, M5 X 20MM	1	
21	23262	SPRING	1	
22	11762	SHSS, M8-1.25x20MM LG. CONE PT.	2	
24	21717	HANDLE GRIP	2	
25	10508	THROTTLE LEVER	1	
26	21847	SAFETY SWITCH	1	
29	10703	LOCKWASHER, #10	2	
30	21728	PHMS, M5-0.8 X 8MM LG	2	
31	20703	WIRE ASSEMBLY	1	
32	20340	PITCH CONTROL CABLE, 1034MM HOLE TO END OF LUG	1	
36	20293	CABLE GUIDE	1	
37	11617	LOCKNUT, M8-1.25	1	
38	10407M	HHCS, M8-1.25x30MM LG.	1	

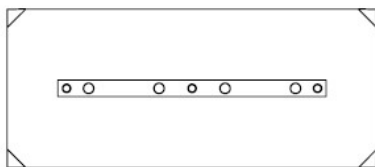
PARTS LIST 11 – WALK-BEHIND TROWELS

BLADE KIT ASSEMBLY DIAGRAM



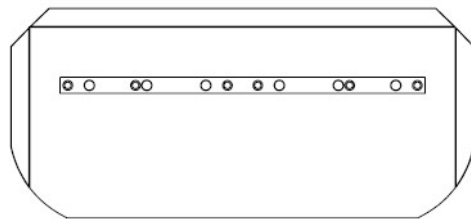
B436 BLADE KIT – PARTS LIST 11

Item #	Part #	Description	QTY	Remarks
1	-	TROWEL BLADE	4	08/04/2007
2	10452	HHCS, M8-1.25 X 40MM	8	08/04/2007
3	10453	HHCS, M8-1.25 X 50MM	4	08/04/2007
4	11614	LOCK WASHER, M8	12	08/04/2007



STANDARD FINISHING BLADE

Part #	Dimensions
20414	6" x 14" (15.2CM x 35.6CM)



STANDARD COMBINATION BLADE

Part #	Dimensions
20479	8" x 14" (20.3CM x 35.6CM)