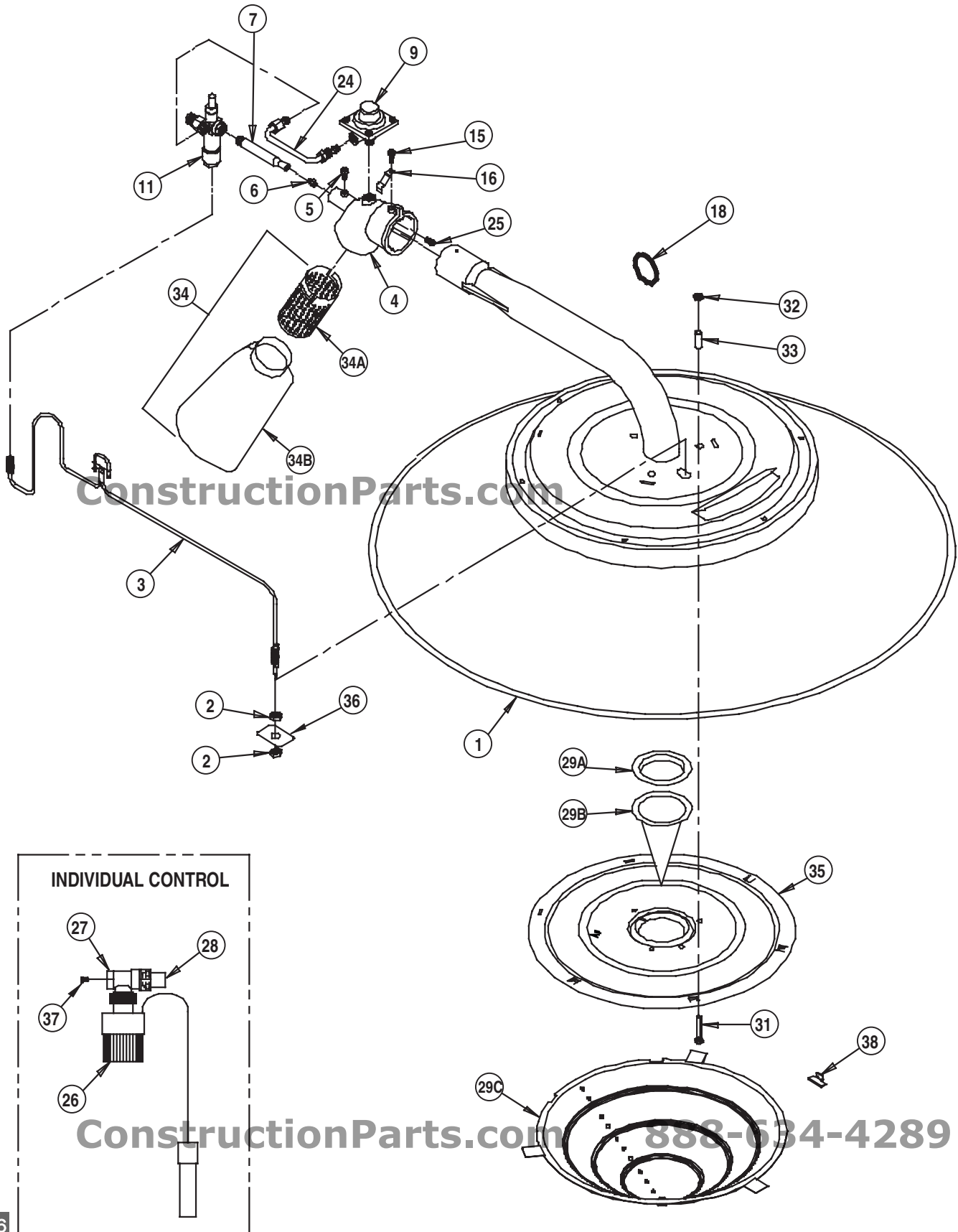


# Parts Identification

InfraConic I-40 M  
Model I-40A

888-634-4289

## PARTS SCHEMATIC



**PARTS LIST**

<b>Item</b>	<b>Description</b>	<b>Part No.</b>
1	Venturi Tube and Burner Assembly	23261
2	Thermocouple Retaining Nut	09576
3	Thermocouple with Fusible Link	09596
4	Injector Casting with Air Register Plate	Propane Gas 23337 Natural Gas 23923
5	Retaining Screw for Injector Tube	09572
6	Primary Burner Orifice (Low Heat)	Propane Gas 09563 Natural Gas 09776
7	Injector Tube	09562
9	Pressure Valve	09861
11	Safety Control Valve	Zone Control Heaters 22285 Individual Control Heaters 22286
15	Retaining Screw for Control Assembly and Thermocouple	09575
16	Thermocouple Fuse Clip	09565
18	Keyring	09620
24	Tubing, Pilot Safety Valve to Pressure Valve	09569
25	Secondary Orifice (High Heat)	Propane Gas 23211 Natural Gas 21236
26	Thermostatic Head with Sensor, Individual Control	09415
27	Valve, Modulating	Propane Gas 09748 Natural Gas 09749
28	Sleeve, Adapter	09682
29	Kit, Combustion Cones and Gasket Consisting of:	24214
29A	Gasket	09560
29B	Inner Cone	09557
29C	Outer Cone	24543
31	Screw, 10-32 x 1 1/2	23636
32	Nut, 10-32	09578
33	Spacer	09568
34	Filter Kit	20428
34A	Filter Adapter	23931
34B	Filter	23953
35	Burner Plate	23201-01
36	Cover Plate, Thermocouple	23315
37	Orifice, Bypass (Individual Control)	Propane Gas 09744 Natural Gas 09745
38	Truss Clip	24486

**OPTIONS (Not Illustrated):**

<b>Item</b>	<b>Description</b>	<b>Part No.</b>
	Coupling, Quick Disconnect, Kit	21335
	Consisting Of:	
	Shut-Off Valve	05548
	Nipple, 1/4 in. Close	01142
	Coupling, Quick Disconnect	21328
	Bushing, 1/2 x 1/4	01519
Hoses	1/4 in. x 6 ft., Rigid x Swivel, Poultry	20495
	1/4 in. x 10 ft., Rigid x Swivel, Poultry	20496
	1/4 in. x 12 ft., Rigid x Swivel, Poultry	20497
	1/4 in. x 6 ft., Swivel Both Ends, Swine	20499
	1/4 in. x 10 ft., Swivel Both Ends, Swine	20242
	1/4 in. x 15 ft., Swivel Both Ends, Swine	20500
	Kit, 1/8 NPT Fitting ( Not Illustrated)	20406