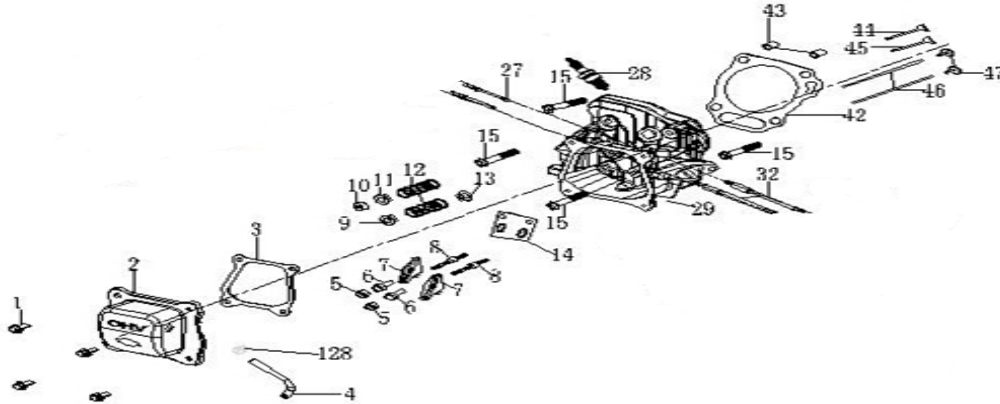
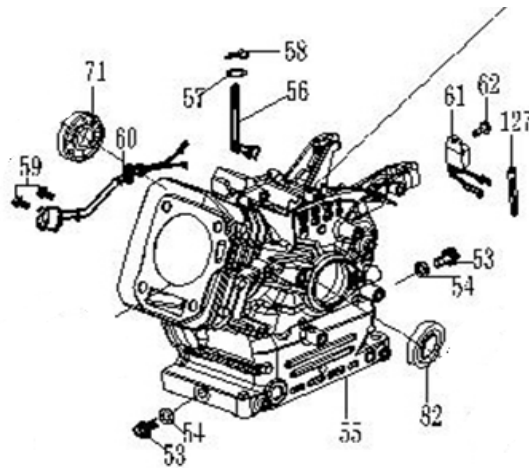


CYLINDER HEAD & CYLINDER COVER ASSY



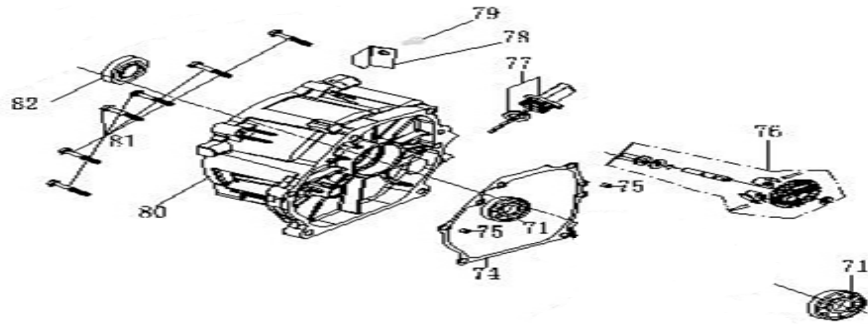
REF	MAIN DESCRIPTION	QTY.	BE PN
2	Cylinder Head Cover	1	85.573.000
3	Sealing Gasket	1	
42	Cylinder Head Sealing Gasket	1	85.573.002

CRANKCASE



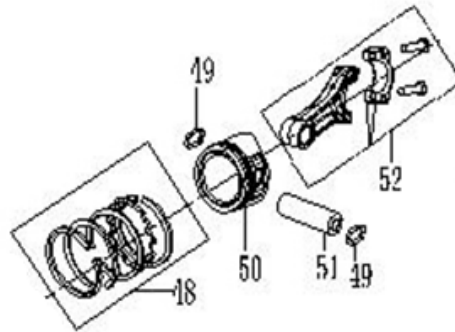
REF	MAIN DESCRIPTION	QTY.	BE PN
60	Oil Sensor	1	85.573.003
61	Oil Alert	1	

CRANKCASE COVER



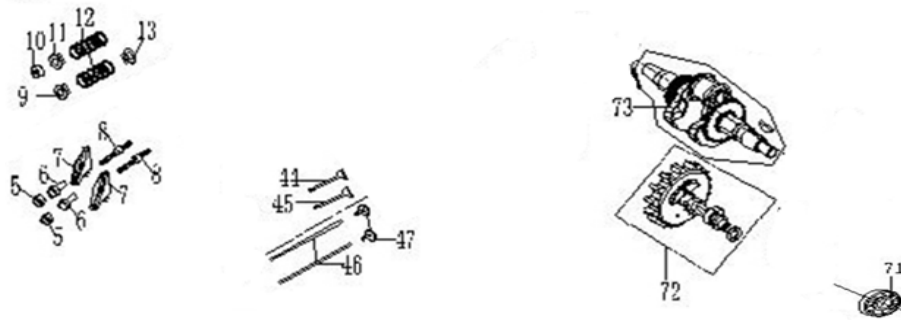
REF	MAIN DESCRIPTION	QTY.	BE PN
74	CRANKCASE COVER SEAL RING	1	85.573.004
82	OIL SEAL	2	
77	OIL LEVEL GAUGE	1	85.573.005

PISTON/CONNECTING ROD



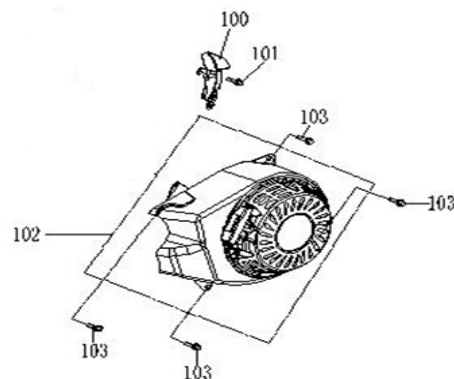
REF	MAIN DESCRIPTION	QTY.	BE PN
48	PISTON RING COMP.	1	85.573.006
49	PISTON PIN	2	85.573.007
51	PISTON PIN	1	
50	PISTON	1	85.573.008
52	CONNECTING ROD ASSY	1	

PISTON/CONNECTING ROD



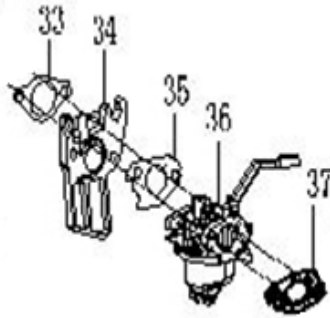
REF	MAIN DESCRIPTION	QTY.	BE PN
71	BEARING	2	85.573.009
72	CAMSHAFT ASSY	1	
73	CRANKSHAFT ASSY	1	85.573.010
5	RATING NUT, ROCKSHAFT	2	85.573.011
6	ROCKSHAFT	2	
7	VALVE ROCKER	2	
8	BOLT, ROCKSHAFT	2	
9	SPRING SEAT, INTAKE VALVE	1	
10	ROTOR, VALVE EXHAUST	1	
11	SPRING SEAT, VALVE EXHAUST	1	
12	SPRING, VALVE	2	
13	OIL DRIP PAN	1	
44	VALVE EXHAUST	1	
45	VALVE, INTAKE	1	
46	VALVE PUSH ROD	2	
47	VALVE LIFTER	2	

STARTER



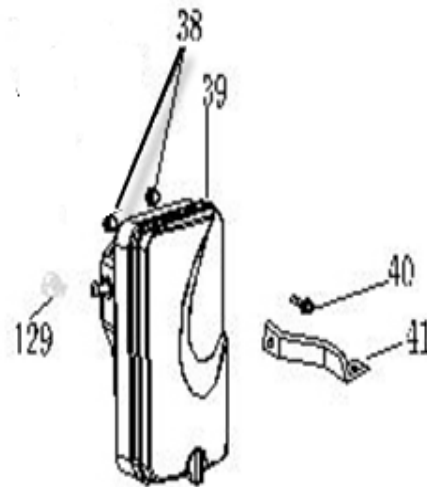
REF	MAIN DESCRIPTION	QTY.	BE PN
100	WIND SHIELD, SIDE	1	85.573.012
101	FLANGE BOLT	1	
102	RECOILD STARTER ASSY	1	
103	FLANGE BOLT	4	

CARBURETOR ASSEMBLY



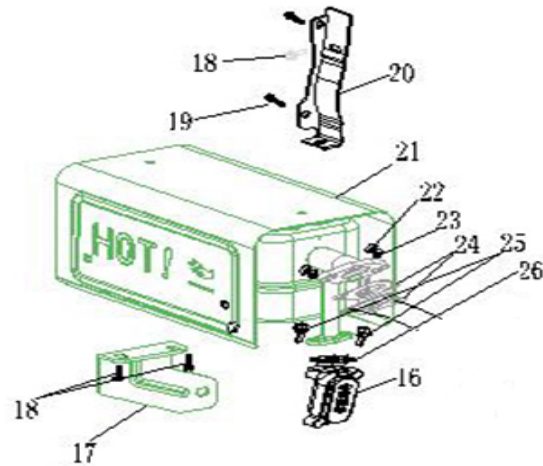
REF	MAIN DESCRIPTION	QTY.	BE PN
33	INTAKE GASKET	1	85.573.013
34	CARBURETOR LINK BLOCK	1	
35	CARBURETOR GASKET	1	
36	CARBURETOR ASSY	1	
37	AIR FILTER GASKET	1	

AIR FILTER



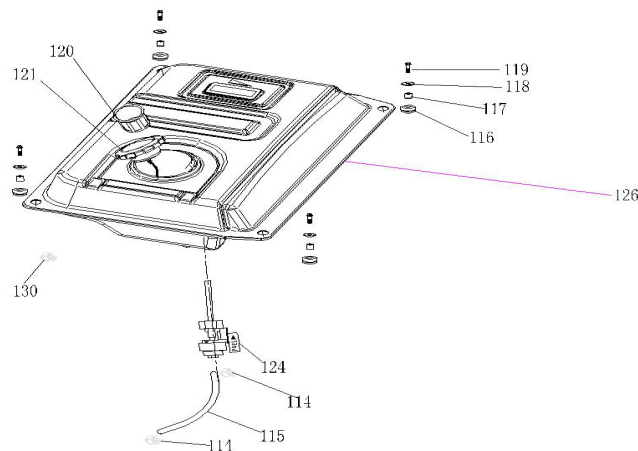
REF	MAIN DESCRIPTION	QTY.	BE PN
38	FLANGE NUT	2	85.573.014
39	AIR FILTER ASSY	1	
40	FLANGE BOLT	1	
41	AIR FILTER BRACKET	1	

MUFFLER ASSEMBLY



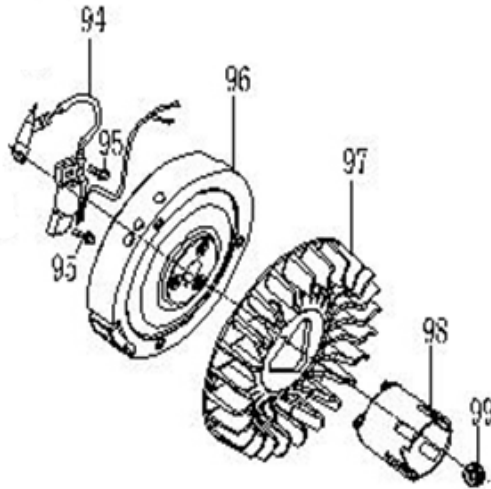
REF	MAIN DESCRIPTION	QTY.	BE PN
16	Secondary gulp valve	1	85.573.015
17	Muffler Support Block	1	
18	Flange bolt	3	
19	Flange bolt	2	
20	Muffler bracket	1	
21	Muffler Comp.	1	
22	Hex, nut	2	
23	Spring washer	2	
24	Gasket,muffler assy	2	
25	Flange bolt	1	
26	Gasket,Secondary gulp valve	1	

FUEL TANK



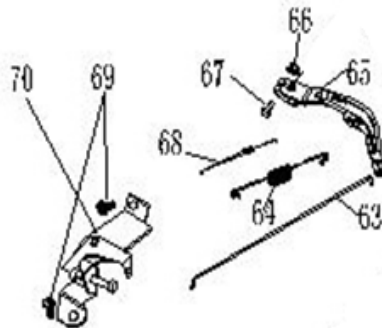
REF	MAIN DESCRIPTION	QTY.	BE PN
114	CLAMP	2	85.573.016
115	FUEL HOSE	1	
124	FUEL COCK	1	
120	FUEL FILTER SCREEN	1	85.573.017
121	CAP, FUEL TANK	1	

FLYWHEEL SUBASSEMBLY



REF	MAIN DESCRIPTION	QTY.	BE PN
94	Ignition coil assy	1	85.573.019
96	Flywheel Comp.	1	85.573.020
97	Cooling fan	1	85.573.021

CONTROL ASSEMBLY

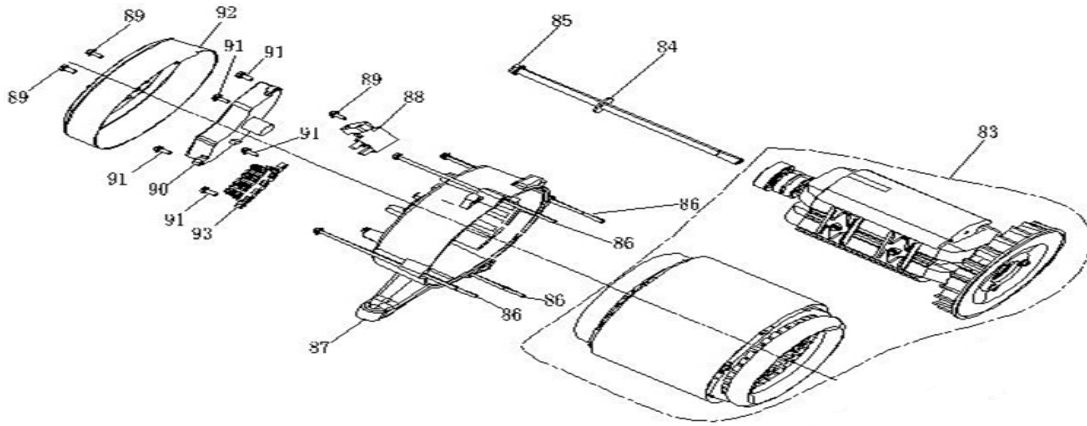


REF	MAIN DESCRIPTION	QTY.	BE PN
63	Speed pull rod	1	85.573.022
64	Fine spring	1	
65	Speed regulating arm comp.	1	
66	Flange nut	1	
67	Bolt, governor	1	
68	Reset spring	1	
69	Flange bolt	2	
70	Speed setting controller assy	1	



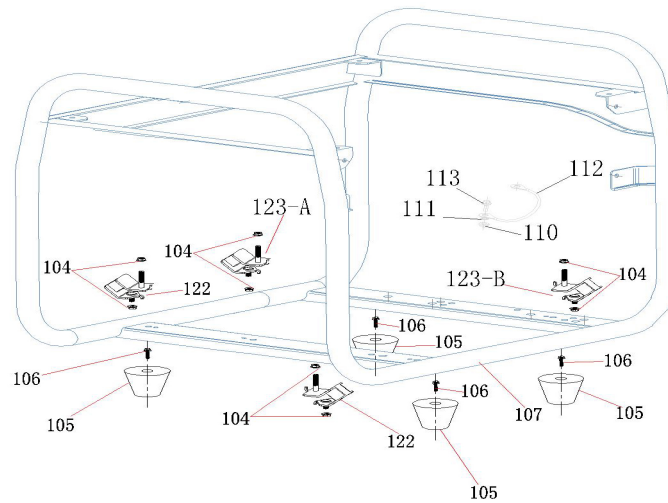
GENERATOR BE3500PS

ROTOR/STATOR



REF	MAIN DESCRIPTION	QTY.	BE PN
83	Alternator Assy	1	85.573.023
87	Alternator Bracket	1	85.573.024

ENGINE FRAME

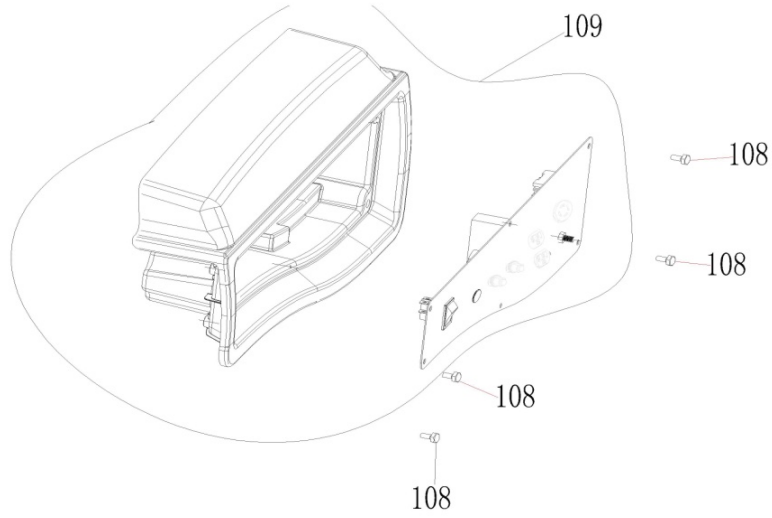


REF	MAIN DESCRIPTION	QTY.	BE PN
107	Frame Comp.	1	85.573.025
105	Mount vibration, Frame	4	85.573.026
106	Flange bolt	4	
104	Flange nut	8	
122	Vibration block 1	2	
123	Vibration block 2	2	



GENERATOR BE3500PS

CONTROL PANEL SUBASSEMBLY



REF	MAIN DESCRIPTION	QTY.	BE PN
108	Flange bolt	4	85.573.027
109	Control Panel Assy	1	