

FIGURE 3 - PARTS LIST: MK-6030KB CONCRETE SAW P/N 165149-30

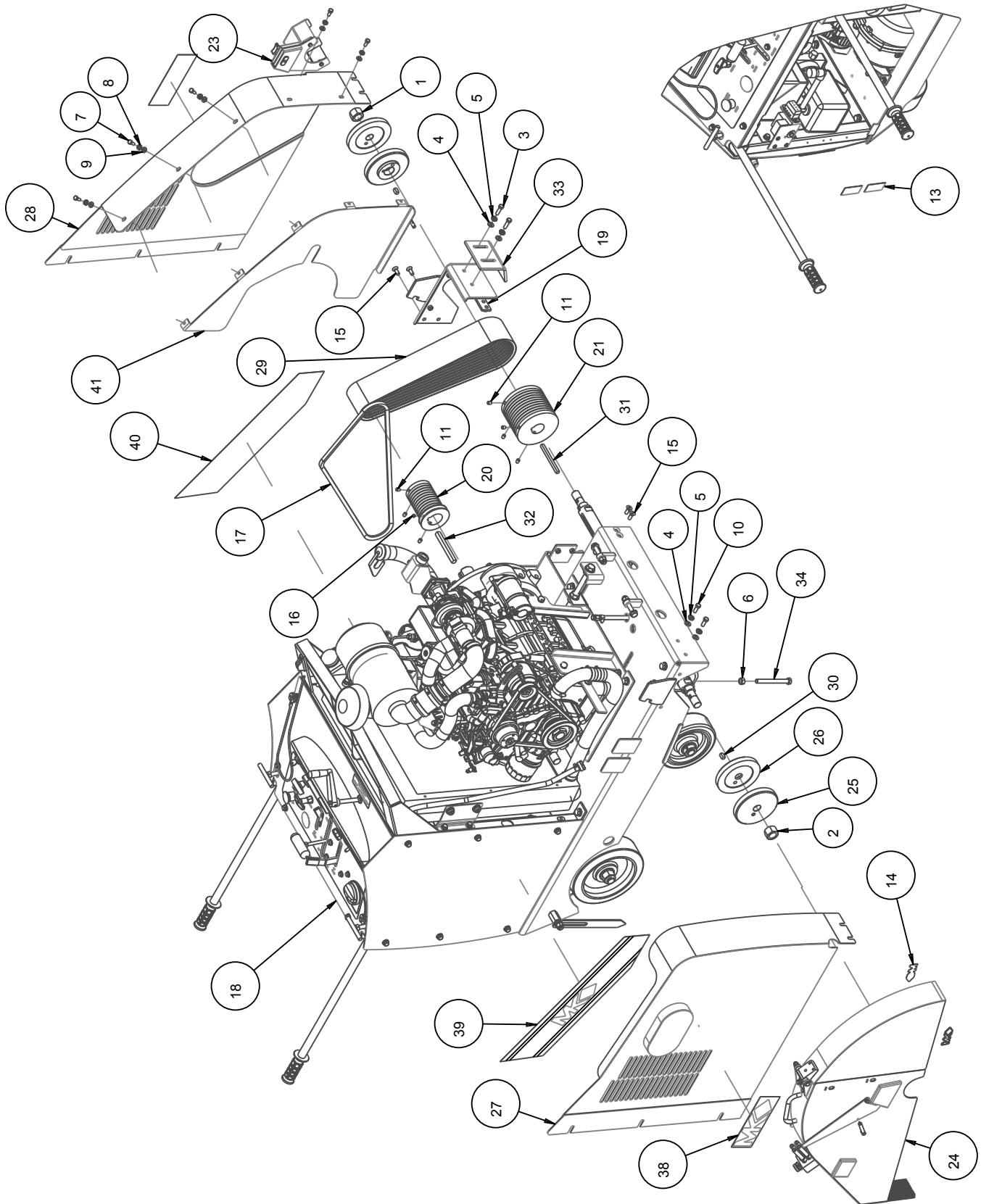
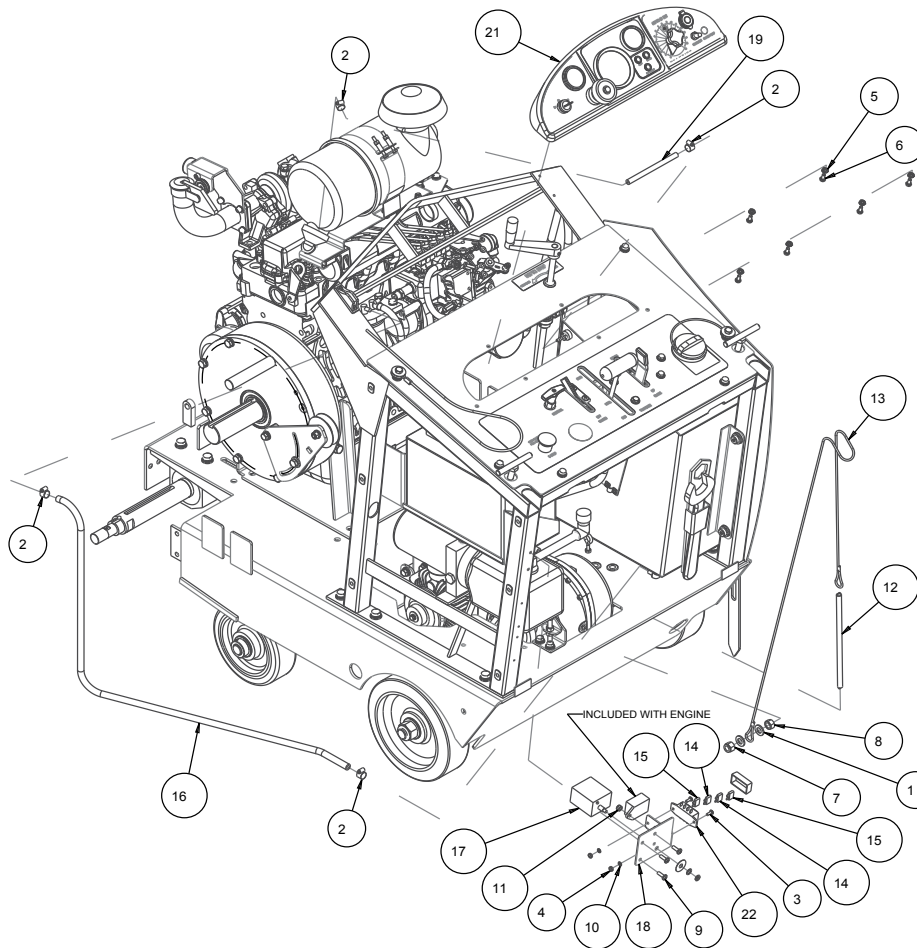


FIGURE 3 - PARTS LIST: MK-6030KB CONCRETE SAW P/N 165149-30

| ITEM | DESCRIPTION                                      | PART #       | QTY |
|------|--|--------------|-----|
| 1    | NUT, 1 - 14 RIGHT HAND                           | 138693       | 1   |
| 2    | NUT, 1 - 14 LEFT HAND                            | 138701       | 1   |
| 3    | SCREW, 3/8 - 16 X 1 - 1/4 HEX HEAD CAP           | 150774       | 2   |
| 4    | WASHER, FLAT, SAE, 3/8                           | 150923       | 4   |
| 5    | WASHER, LOCK, SPLIT, 3/8                         | 150925       | 4   |
| 6    | NUT, 1/2 - 13 HEX                                | 151282       | 1   |
| 7    | SCREW, HEX HD CAP, 5/16 - 18 X 3/4               | 151369       | 5   |
| 8    | WASHER, LOCK, SPLIT, 5/15                        | 151747       | 5   |
| 9    | WASHER, FLAT, SAE, 5/16                          | 150754       | 5   |
| 10   | SCREW, HEX HD, CAP, 3/8 - 16 X 1                 | 152507       | 2   |
| 11   | SCREW, SET, SOC, CUPT, 3/8 - 16 X 1/2            | 153710       | 7   |
| 12   | CARD, WARRANTY REGISTER SAW                      | 155037       | 1   |
| 13   | TAG, SERIAL NUMBER, BLANK                        | 157500-RW    | 2   |
| 14   | LOGO, MK ADHESIVE                                | 157914       | 2   |
| 15   | SCREW, 3/8 - 16 X 1 FLATHEAD MACHINE             | 162067       | 4   |
| 16   | SCREW, 3/8 - 16 X 3/8 SOCKET HEAD SET, CUP POINT | 163260       | 1   |
| 17   | BELT, A63  | 162979       | 1   |
| 18   | ASSY, 6000KB 59HP, PARENT                        | 165149       | 1   |
| 19   | CORNER, FRAME                                    | 165458       | 1   |
| 20   | PULLEY, 103VX3.4 X 2BORE                         | 165463       | 1   |
| 21   | PULLEY, 103VX5.8 X 1 - 3/4 BORE                  | 165466       | 1   |
| 22   | SHEET, WARNING LABELS, CONCRETE                  | 166009       | 1   |
| 23   | ASSY, SHAFT GUARD                                | 166056       | 1   |
| 24   | ASSY, BLADE GUARD 30" WHITE                      | 168279-30-WH | 1   |
| 25   | ASSY, FLANGE, KEYED, OUTER, 6"                   | 168596-6     | 2   |
| 26   | FLANGE, KEYED, INNER 6"                          | 168598-6     | 2   |
| 27   | COVER, ENGINE, RIGHT, 6000KB                     | 168934       | 1   |
| 28   | COVER, ENGINE, LEFT, 59KB                        | 168935       | 1   |
| 29   | BELT, 10/3VX 500                                 | 169214-10    | 1   |
| 30   | KEY, SQR, 3/8 X 3/4                              | 169371       | 1   |
| 31   | KEY, 3/8 SQUARE X 5                              | 169566       | 1   |
| 32   | KEY, 1/2 SQUARE X 5.25                           | 169567       | 1   |
| 33   | PLATE, BELT PROTECTOR                            | 169568       | 1   |
| 34   | SCREW, HEX HD, TAP, 1/2-13 X 5                   | 169570       | 1   |
| 35   | OWNER'S MANUAL, MK-6000KB                        | 169572       | 1   |
| 36   | PARTS MANUAL, MK-6000KB                          | 169573       | 1   |
| 37   | SHEET, LABEL, MK-LOGO                            | 169574       | 1   |
| 38   | LABEL, MK-LOGO                                   | 169574       | 2   |
| 39   | LABEL, RIGHT TOWER                               | 169574       | 1   |
| 40   | LABEL, LEFT TOWER                                | 169574       | 1   |
| 41   | GUARD, BELT, INNER, C59                          | 169652       | 1   |

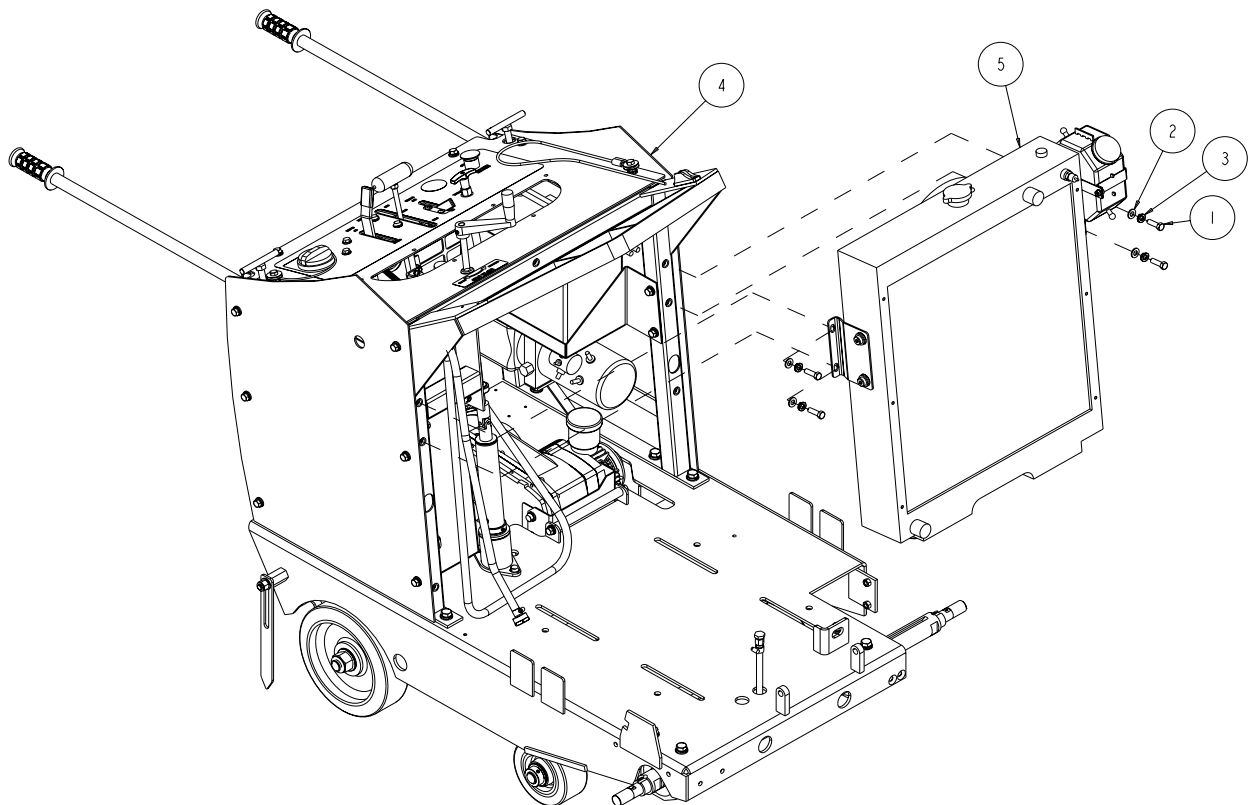
FIGURE 5 - PARTS LIST: MK-6000KB CONCRETE SAW P/N 165149



| ITEM NO. | DESCRIPTION                                 | PART #. | QTY. REQ. |
|----------|---|---------|-----------|
| 1        | WASHER, 1/2 SAE FLAT                        | 150924  | 2         |
| 2        | CLAMP, 5/8 HOSE                             | 151198  | 4         |
| 3        | SCREW, PAN HD 10 - 24 X 12                  | 151744  | 2         |
| 4        | NUT, HEX, 10 - 24                           | 151749  | 2         |
| 5        | WASHER, 1/4 SPLIT LOCK                      | 152591  | 6         |
| 6        | SCREW, 1/4 - 20 X 1/2 HEX HEAD              | 152608  | 6         |
| 7        | NUT, 1/2 - 13 NYLOK HEX                     | 155162  | 1         |
| 8        | NUT, 1/2 - 13 CENTERLOCK HEX                | 156279  | 1         |
| 9        | SCREW, PAN HD, 1/4 - 20 X 3/4               | 157523  | 3         |
| 10       | WASHER #10, IT                              | 158336  | 2         |
| 11       | NUT, HEX, NYLK, 1/4 - 20                    | 159857  | 1         |
| 12       | SPRING, .44 X 10.3 X .04 155603 1 EXTENSION | 162627  | 1         |
| 13       | CABLE, 52" DEPTH INDICATOR                  | 162628  | 1         |

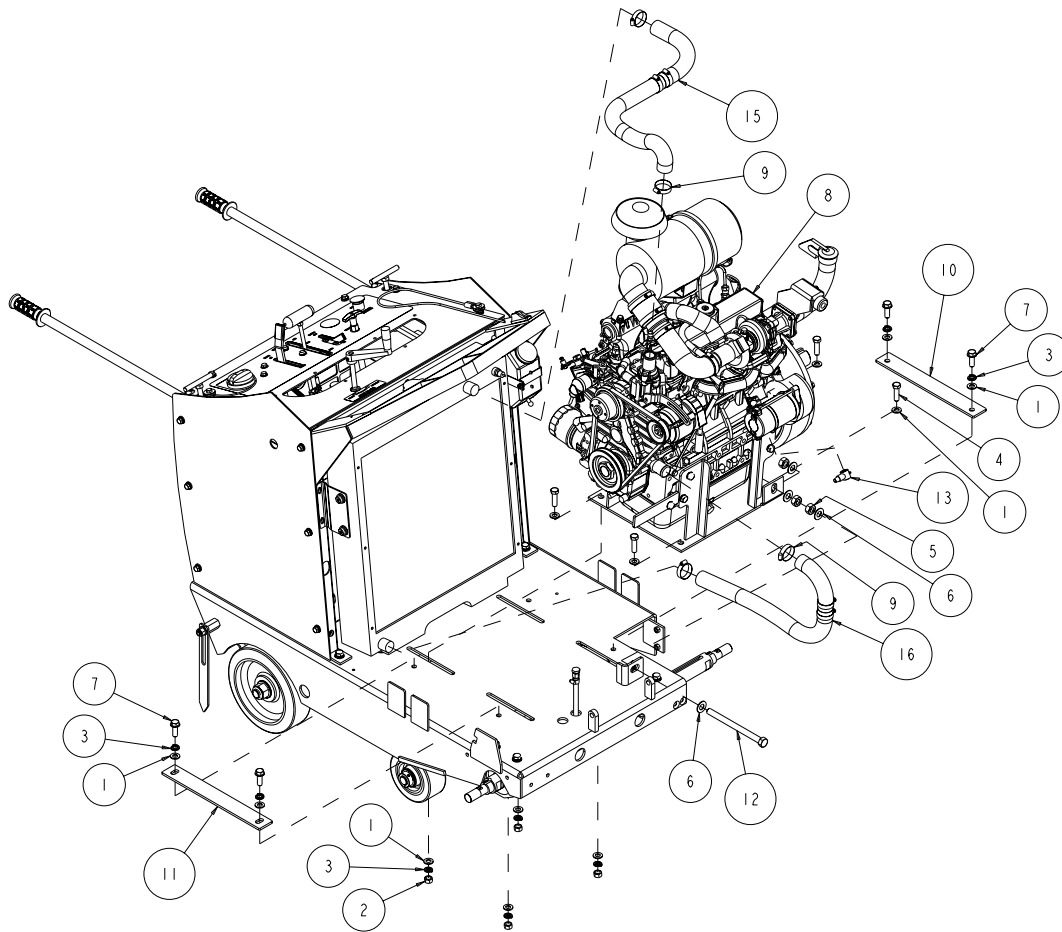
FIGURE 5 - PARTS LIST: MK-6000KB CONCRETE SAW P/N 165149

| ITEM NO. | DESCRIPTION                      | PART #. | QTY. REQ. |
|----------|----------------------------------|---------|-----------|
| 14       | FUSE, 10A ATC BLADE              | 164597  | 2         |
| 15       | FUSE, 5A ATC BLADE               | 164598  | 2         |
| 16       | HOSE, 5/16 FUEL, 48"             | 164958  | 1         |
| 17       | SWITCH, MAGNETIC, 12/24V, MDL117 | 167502  | 1         |
| 18       | BRACKET, FUSEBOX, KB             | 167536  | 1         |
| 19       | HOSE, FUEL, 3/16 ID (6.0')       | 167674  | 1         |
| 20       | ANTIFREEZE/COOLANT (1.5 GAL)     | 167692  | 1         |
| 21       | ASSY, INSTRUMENT PANEL, KB       | 169142  | 1         |
| 22       | BLOCK, FUSE, 4-SLOT              | 169148  | 1         |
| 23       | WIRE HARNESS, KB2403             | 169563  | 1         |



| ITEM NO. | DESCRIPTION                            | PART #. | QTY. REQ. |
|----------|--|---------|-----------|
| 1        | SCREW, 3/8 - 16 X 1 - 1/4 HEX HEAD CAP | 150774  | 4         |
| 2        | WASHER, FLAT, SAE, 3/8                 | 150923  | 4         |
| 3        | WASHER, LOCK, SPLIT, 3/8               | 150925  | 4         |
| 4        | ASSY, 6000 LESS ENGINE                 | 165151  | 1         |
| 5        | ASSY, RADIATOR                         | 169103  | 1         |

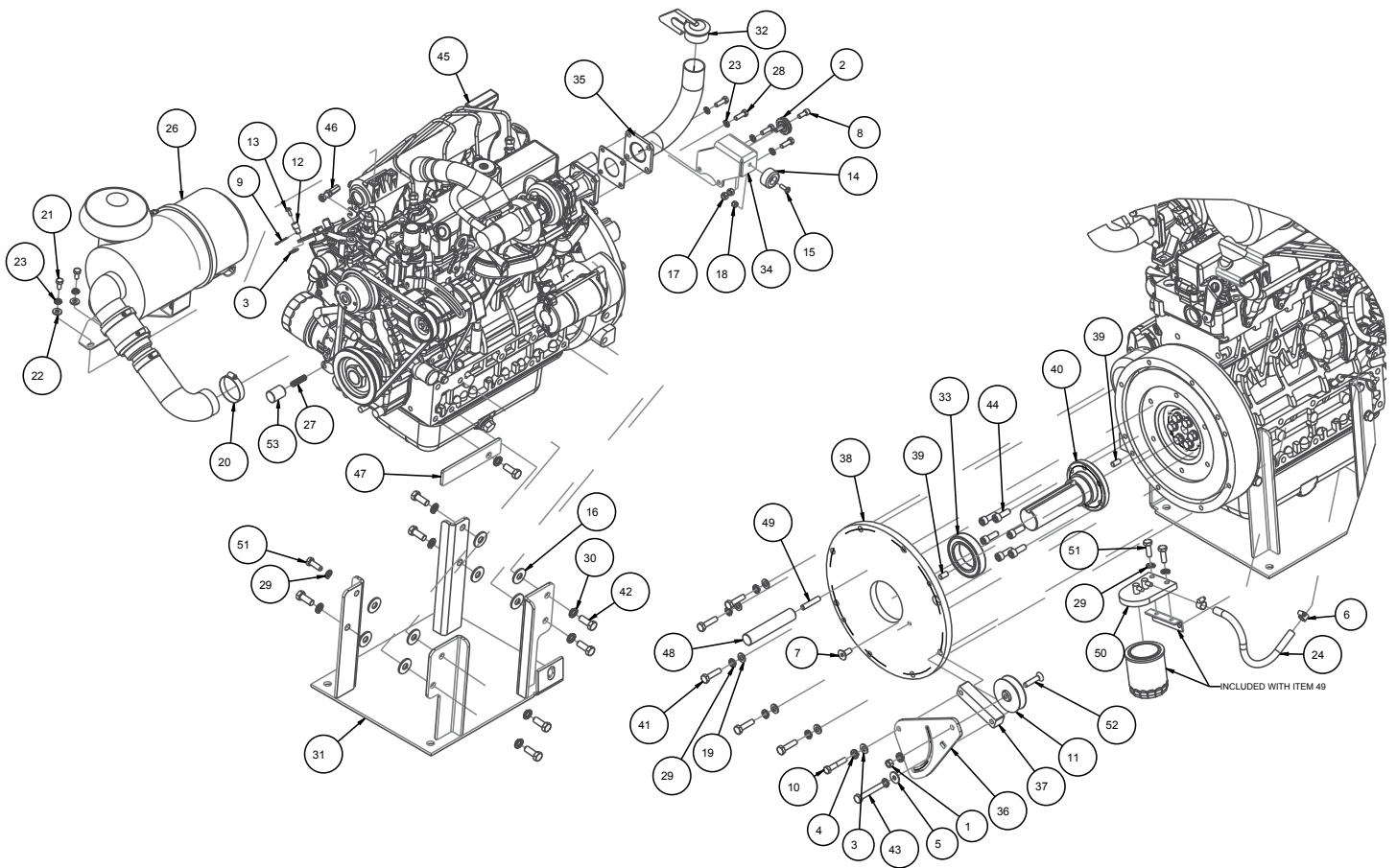
FIGURE 5 - PARTS LIST: MK-6000KB CONCRETE SAW P/N 165149



| ITEM NO. | DESCRIPTION   | PART #    | QTY. REQ. |
|----------|---|-----------|-----------|
| 1        | WASHER, 1/2 SAE FLAT                                  | 150924    | 12        |
| 2        | NUT, 1/2 - 13 HEX                                     | 151282    | 4         |
| 3        | WASHER, 1/2 SPLIT LOCK                                | 153524    | 8         |
| 4        | SCREW, 1/2 - 13 X 1 - 3/4 HEX HEAD CAP                | 153853    | 4         |
| 5        | NUT, HEX JAM 5/8 - 11 UNC                             | 155603    | 3         |
| 6        | WASHER, FLAT, 5/8 SAE                                 | 158350    | 5         |
| 7        | SCREW, 1/2 - 13 X 1 - 1/2 HEX FLANGE HEAD, RIGHT HAND | 160819    | 4         |
| 8        | ASSY, ENGINE, KUBOTA 59                               | 165153    | 1         |
| 9        | CLAMP, 1 - 1/16 TO 2 HOSE                             | 167617    | 4         |
| 10       | BRACKET, ENG GUIDE, LEFT                              | 168295    | 1         |
| 11       | BRACKET, ENG GUIDE, RIGHT                             | 168296    | 1         |
| 12       | SCREW, HEX, TAP, 5/8 - 11 X 8                         | 169110    | 1         |
| 13       | COVER, 8 - 4 AWG TERMINAL, RED                        | 169355    | 1         |
| 14       | HOSE, SET, RAD, UPPER AND LOWER, KB2403               | 169396    | 1         |
| 15       | HOSE, RAD, UPPER, KB2403                              | 169396-01 | 1         |
| 16       | HOSE, RAD, LOWER, KB2403                              | 169396-02 | 1         |



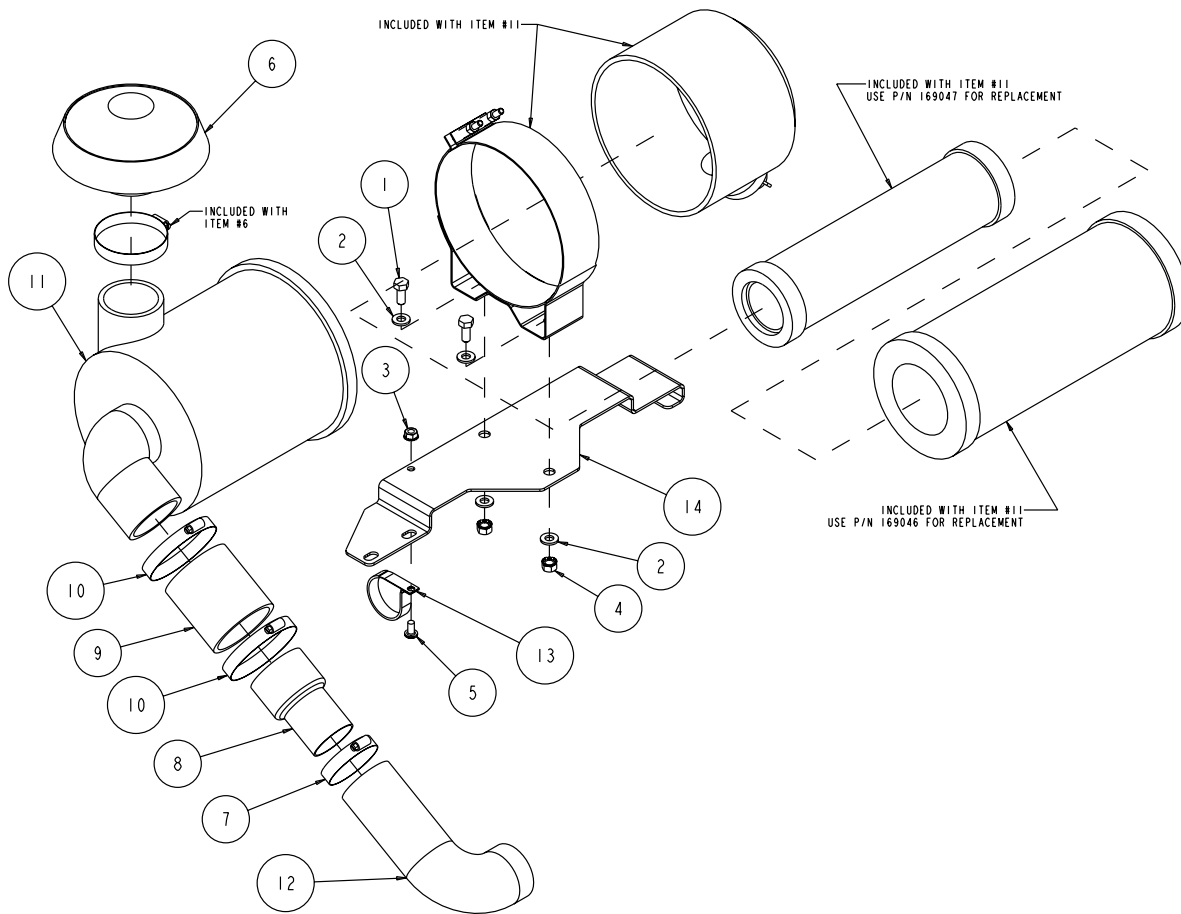
FIGURE 6 - PARTS LIST: ASSY, ENGINE, KUBOTA, MK6000 P/N 165153



| ITEM NO. | DESCRIPTION                           | PART #    | QTY. REQ. |
|----------|---------------------------------------|-----------|-----------|
| 1        | NUT, HEX, 3/8 - 16                    | 101188    | 1         |
| 2        | WHEEL, CONVEYOR CART                  | 133090    | 1         |
| 3        | WASHER, 3/8 SAE FLAT                  | 150923    | 2         |
| 4        | WASHER, 3/8 SPLIT LOCK                | 150925    | 2         |
| 5        | WASHER, FENDER, 5/16 X 1.0            | 151053    | 1         |
| 6        | CLAMP, 5/8 HOSE                       | 151198    | 2         |
| 7        | SCREW, FLAT HD, ALN, M10 - 1.5 X 25MM | 151752    | 1         |
| 8        | SCREW, SOC HD, 5/16 - 18 X 3/4        | 152444    | 1         |
| 9        | PIN, 1/16 X 3/4 COTTER                | 152518    | 1         |
| 10       | SCREW, HEX HD, 3/8 - 16 X 2           | 153485    | 1         |
| 11       | PULLEY, IDLER, BV3001, W/CSINK        | 153797-CS | 1         |
| 12       | PIN, WIRE STOP                        | 153842    | 1         |
| 13       | SCREW, HEX HD FL 10 - 24X 5/16        | 154172    | 1         |
| 14       | BUMPER, 1/4 ID X 1 - 1/20D X 3/4      | 154496    | 1         |
| 15       | SCREW, PAN HD, 1/4 - 20 X 3/4         | 157523    | 1         |

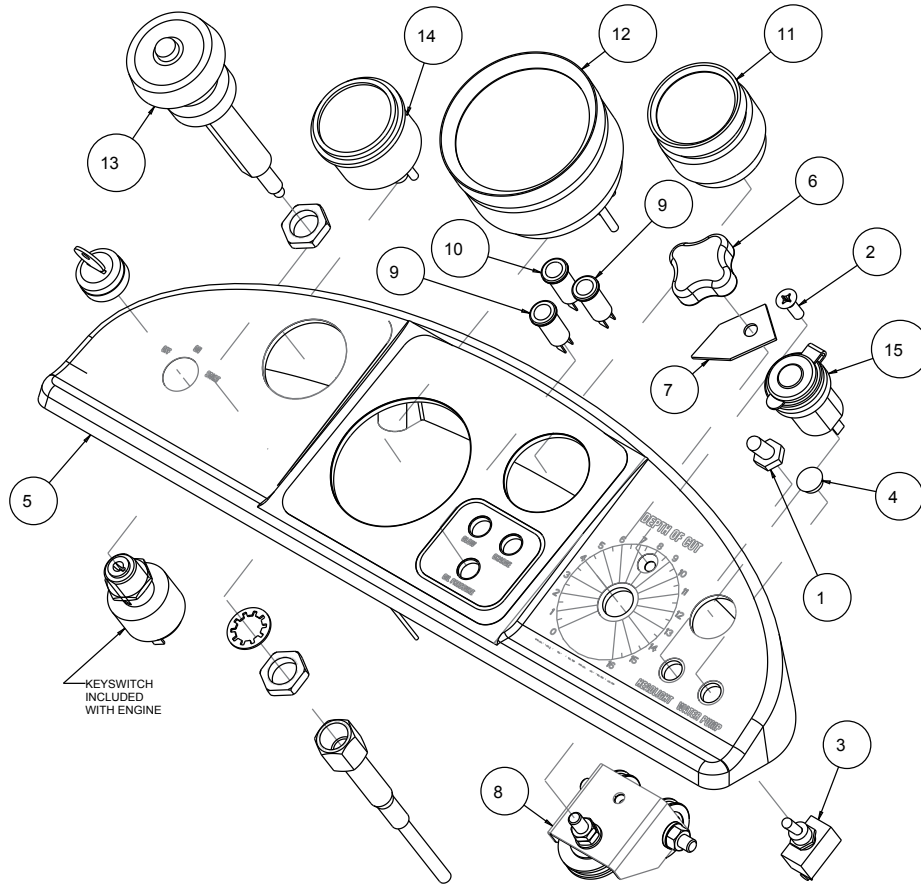
| ITEM NO. | DESCRIPTION                                | PART # | QTY. REQ. |
|----------|--|--------|-----------|
| 16       | WASHER, FLAT, USS, 1/2                     | 157679 | 8         |
| 17       | NUT, HEX, NYLK, 5/16 - 18                  | 158289 | 2         |
| 18       | NUT, HEX, NYLK, 1/4 - 20                   | 159857 | 1         |
| 19       | WASHER, FLAT, M10                          | 160203 | 5         |
| 20       | CLAMP, HOSE, 1 - 15/16 TO 2 -1/4           | 162816 | 1         |
| 21       | SCREW, HEX HD, M8 - 1.25 X 16MM            | 164223 | 2         |
| 22       | WASHER, FLAT, M8                           | 164855 | 2         |
| 23       | WASHER, LOCK, SPLIT, M8                    | 164860 | 6         |
| 24       | HOSE, 5/16 FUEL, 12"                       | 164958 | 1         |
| 25       | OIL, 10 - 40 SAE MOTOR (1QT)               | 164970 | 6         |
| 26       | ASSY, AIR CLEANER, KB2403                  | 165290 | 1         |
| 27       | SCREW, SET M10 X 1.5 C 40MM                | 167179 | 1         |
| 28       | SCREW, HEX, M8 - 1.25 X 25MM               | 167512 | 4         |
| 29       | WASHER, LOCK, SPLIT, M10                   | 167515 | 9         |
| 30       | WASHER, LOCK, SPLIT, M12                   | 167516 | 8         |
| 31       | MONUT, ENGINE,KB2403                       | 168563 | 1         |
| 32       | CAP, WEATHER, 1 - 3/4 EXHAUST              | 168884 | 1         |
| 33       | BEARING, BALL, 60 X95 X 18, 6012 - 2NSE    | 169029 | 1         |
| 34       | BRACKET, POINTER STOP, KB2403              | 169030 | 1         |
| 35       | PIPE, 1 - 3/4 EXHAUST, KB2403              | 169031 | 1         |
| 36       | ARM, IDLER, TIGHT SIDE                     | 169032 | 1         |
| 37       | BLOCK, IDLER, KB2403                       | 169033 | 1         |
| 38       | PLATE, OUTBOARD BEARING, KB2403            | 169034 | 1         |
| 39       | PIN, DOWEL, M10 X 20MM                     | 168035 | 2         |
| 40       | SHAFT, PTO, KB2403                         | 169036 | 1         |
| 41       | SCREW, HEX, M10 - 1.5 X 40MM               | 169037 | 5         |
| 42       | SCREW, HEX, M12 - 1.25 X 30MM              | 169038 | 8         |
| 43       | SCREW, HEX, M10 - 1.5 X 70MM               | 169039 | 1         |
| 44       | SCREW SOC, 7/16 - 20 X 1 -1.4              | 169040 | 6         |
| 45       | ENGINE, KUBOTA, V2403, 59HP (COMP)         | 169041 | 1         |
| 46       | FITTING, THROTTLE CABLE END                | 169042 | 1         |
| 47       | STANDOFF, ENG COVER, 2403, RH              | 169043 | 1         |
| 48       | STANDOFF, ENG COVER, 2403, LH              | 169044 | 1         |
| 49       | SCREW,SET M10 - 1.5 X 50MM                 | 169045 | 1         |
| 50       | KIT, FUEL FILTER, KB2403                   | 169146 | 1         |
| 51       | SCREW, HEX HD, M10 - 1.25 X 30MM           | 169395 | 3         |
| 52       | SCREW, 3/8 - 16 X 1 - 3/4 FLAT HEAD SOCKET | 169561 | 1         |
| 53       | STAND OFF, ENG COVER, 2403, RH2            | 169955 | 1         |

FIGURE 7 - PARTS LIST: ASSY, AIR CLEANER KB P/N 165290



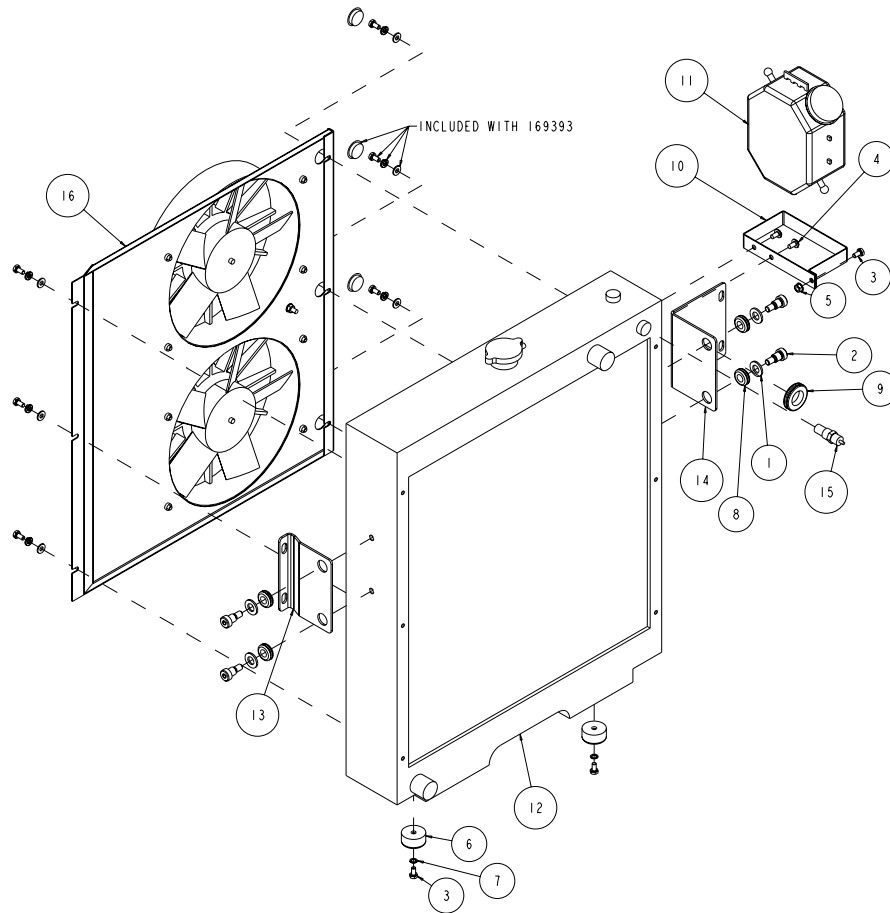
| ITEM NO. | DESCRIPTION                         | PART # | QTY. REQ. |
|----------|-------------------------------------|--------|-----------|
| 1        | SCREW, HEX HD, CAP, 5/16 - 18 X 3/4 | 151369 | 2         |
| 2        | WASHER, FLAT, SAE, 5/16             | 151754 | 4         |
| 3        | NUT, HEX, TW, 1/4 - 20              | 153941 | 1         |
| 4        | NUT, HEX, TW, 5/16 - 18             | 153942 | 2         |
| 5        | SCREW, PAN HD, CAP, 1/4 - 20 X 1/2  | 155452 | 1         |
| 6        | CAP, RAIN, 2.5" INLET               | 162609 | 1         |
| 7        | CLAMP, HOSE, 1 - 15/16 TO 2 - 1/4   | 162816 | 1         |
| 8        | ADAPTER, 1 - 7/8OD X 2 - 1/4ID      | 162857 | 1         |
| 9        | HOSE, 2 - 1/2 ID INTAKE (COMP)      | 163986 | 1         |
| 10       | CLAMP, HOSE, 2 - 5/16 TO 3 - 1/4    | 164242 | 2         |
| 11       | AIR CLEANER, 2.5 - FW               | 165291 | 1         |
| 12       | HOSE, 1 - 3/4 INTAKE, KB2403 (COMP) | 165292 | 1         |
| 13       | CLAMP, CUSHION LOOP, 1 - 3/4        | 167522 | 1         |
| 14       | BRACKET, AIR CLEANER, KB2403        | 169028 | 1         |

FIGURE 8 - PARTS LIST: ASSY, INSTRUMENT PANEL P/N 169142



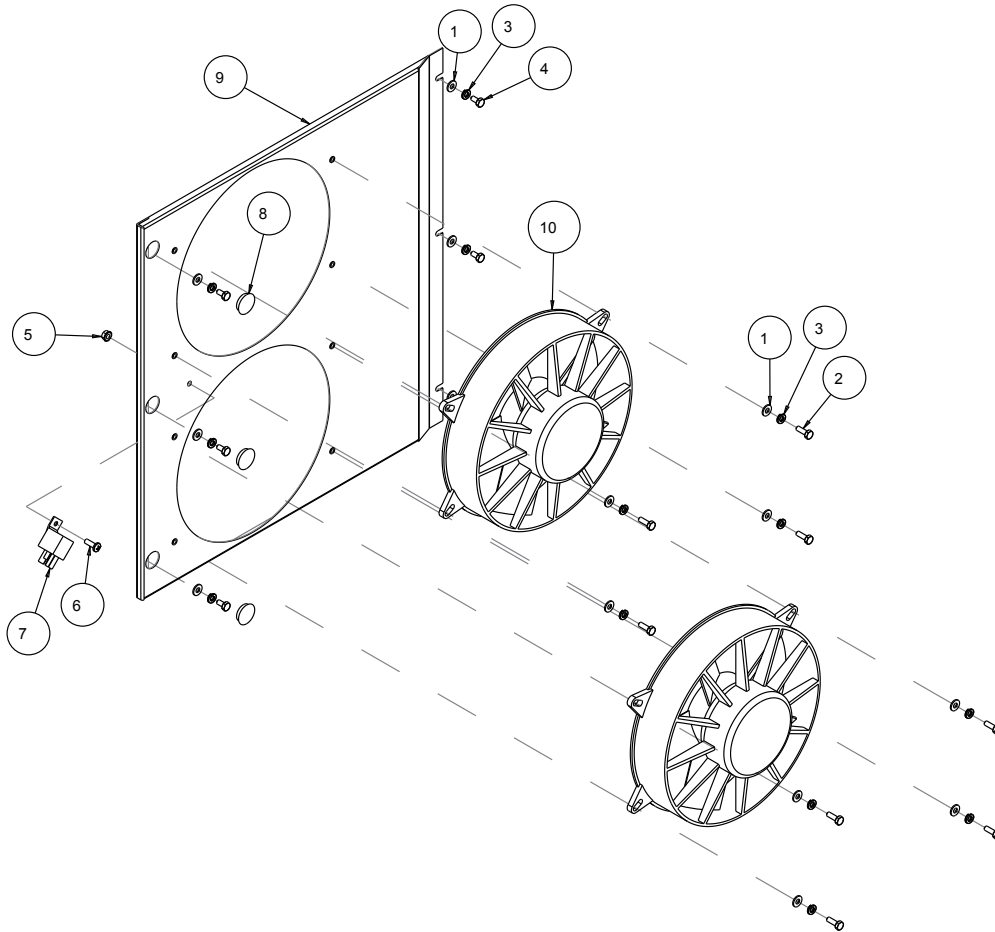
| ITEM NO. | DESCRIPTION                    | PART #    | QTY. REQ. |
|----------|--------------------------------|-----------|-----------|
| 1        | COVER, SWITCH                  | 154301    | 1         |
| 2        | SCREW, FLAT HD, 1/4 - 20 X 3/4 | 154657    | 1         |
| 3        | SWITCH, TOGGLE 15A/120V 1 PST  | 156649    | 1         |
| 4        | PLUG, 1/2 FLUSH HEAD BUTTON    | 156779    | 1         |
| 5        | CASTING, INSTR PNL, KB-COMP    | 160909-KB | 1         |
| 6        | KNOB, DEPTH INDICATOR (COMP)   | 162629    | 1         |
| 7        | POINTER, DEPTH INDICATOR       | 162630    | 1         |
| 8        | ASSY, DEPTH INDICATOR          | 162881    | 1         |
| 9        | LIGHT, 1/2" DIA. PANEL, RED    | 163938    | 2         |
| 10       | LIGHT, 1/2" DIA, PANEL, GREEN  | 163939    | 1         |
| 11       | GAUGE, FUEL, ANALOG            | 164151    | 1         |
| 12       | GAUGE, TACH, DIESEL            | 164152-D  | 1         |
| 13       | CONTROL, THROTTLE-COMP         | 169143    | 1         |
| 14       | GAUGE, TEMP, 2"                | 167501    | 1         |
| 15       | RECEPTACLE, 12VDC              | 169571    | 1         |

FIGURE 9 - PARTS LIST: ASSY, RADIATOR P/N 169103



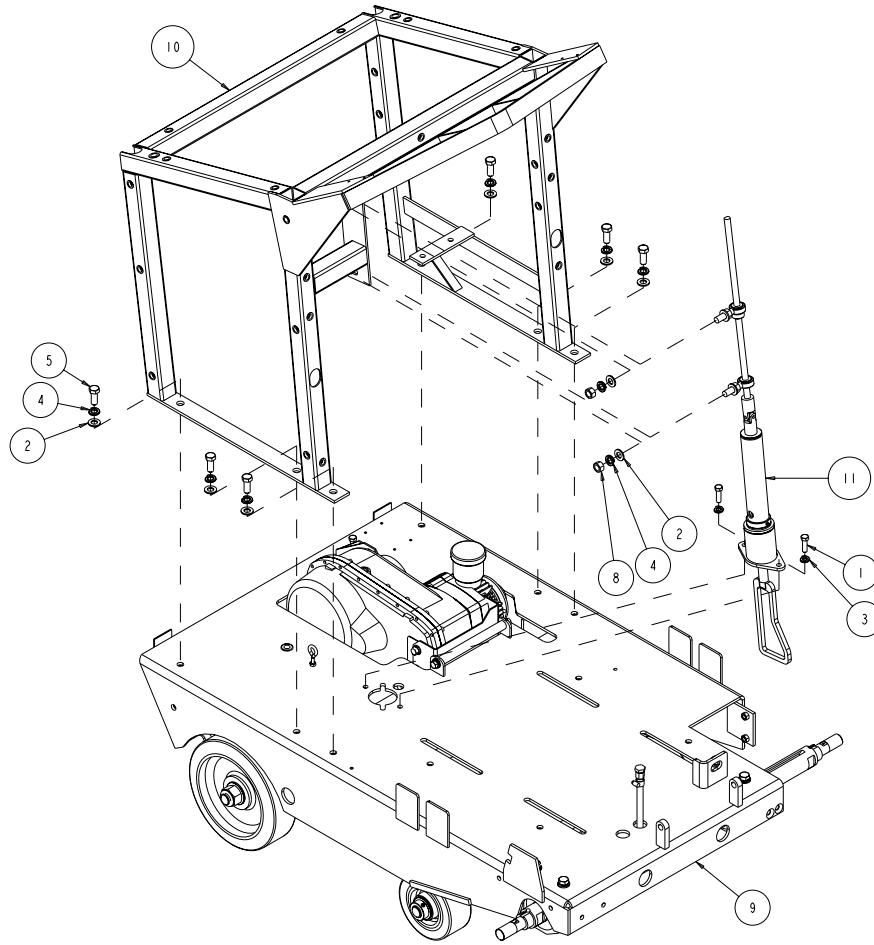
| ITEM NO. | DESCRIPTION                      | PART # | QTY. REQ. |
|----------|----------------------------------|--------|-----------|
| 1        | WASHER, 1/2 SAE FLAT             | 150924 | 4         |
| 2        | SCREW, SHOULDER, 1/2 X 1/2       | 151753 | 4         |
| 3        | SCREW, 1/4 - 20 X 1/2 HEX HEAD   | 152608 | 3         |
| 4        | SCREW, 1/4 - 20 X 1/2 TRUSS HEAD | 153880 | 2         |
| 5        | NUT, HEX, TW, 1/4 - 20           | 153941 | 1         |
| 6        | BUMPER, 1/4 ID X 1 - 1/200 X 3/4 | 154496 | 2         |
| 7        | WASHER, LOCK, 1/4 INT TOOTH      | 162490 | 2         |
| 8        | GROMMET 1/2 X 1.0                | 164207 | 4         |
| 9        | GROMMET, 1 X 1 - 3/4 X 3/32      | 165185 | 1         |
| 10       | BRACKET, RADIATOR BOTTLE         | 167208 | 1         |
| 11       | RESERVOIR, COOLANT               | 167209 | 1         |
| 12       | RADIATOR, 4 - CORE, 23 X 27.5    | 168726 | 1         |
| 13       | BRACKET, RADIATOR, RH            | 169106 | 1         |
| 14       | BRACKET, RADIATOR, LH            | 169107 | 1         |
| 15       | SWITCH, TEMP, 185 DEG, 3/8PT     | 169295 | 1         |
| 16       | FAN, DUAL, 12VDC, COMP           | 169393 | 1         |

FIGURE 10 - PARTS LIST: ASSY, RADIATOR FAN P/N 169393



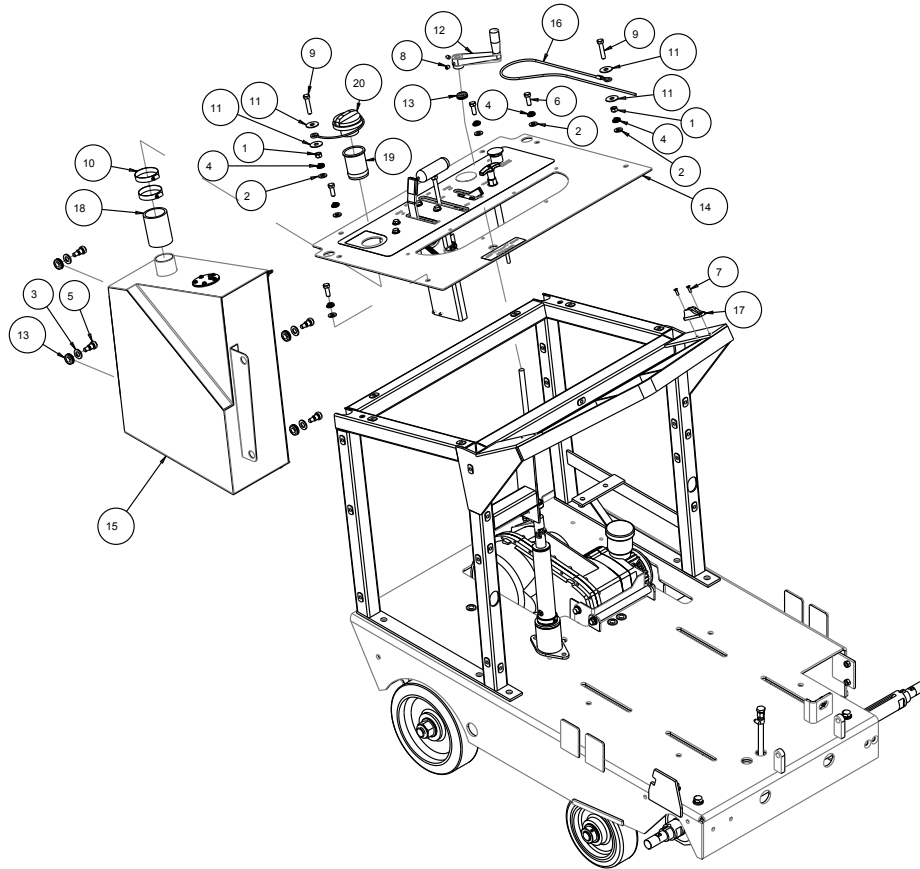
| ITEM NO. | DESCRIPTION                    | PART # | QTY. REQ. |
|----------|--------------------------------|--------|-----------|
| 1        | WASHER, 1/4 SAE FLAT           | 151915 | 14        |
| 2        | SCREW, HEX HD, 1/4 - 20 X 3/4  | 152370 | 8         |
| 3        | WASHER, 1/4 SPLIT LOCK         | 152591 | 14        |
| 4        | SCREW, 1/4 - 20 X 1/2 HEX HEAD | 152608 | 6         |
| 5        | NUT, HEX, TW, 1/4 - 20         | 153941 | 1         |
| 6        | SCREW, PAN HD, 1/4 - 20 X 3/4  | 157523 | 1         |
| 7        | RELAY, 12V, 70A                | 164969 | 1         |
| 8        | PLUG, HOLE PLASTIC 1.0"        | 167941 | 3         |
| 9        | SHROUD, RADIATOR, DUAL 11" FAN | 169105 | 1         |
| 10       | FAN, RADIATOR, 11" DIA, 120DC  | 169387 | 2         |
| 11       | WIRE HARNESS, DUAL FAN         | 169728 | 1         |

FIGURE 11 - PARTS LIST: ASSY, MK-6000 SUB A P/N 165151



| ITEM NO. | DESCRIPTION                            | PART#  | QTY. REQ. |
|----------|--|--------|-----------|
| 1        | SCREW, 3/8-16 X 1-1/4 HEX HEAD CAP     | 150774 | 2         |
| 2        | WASHER, 1/2 SAE FLAT                   | 150924 | 8         |
| 3        | WASHER, 3/8 SPLIT LOCK                 | 150925 | 2         |
| 4        | WASHER, 1/2 SPLIT LOCK                 | 153524 | 8         |
| 5        | SCREW, 1/2 - 13 X 1 - 1/4 HEX HEAD CAP | 153532 | 6         |
| 6        | NUT, 1/2 - 13 NYLOK HEX                | 155162 | 1         |
| 7        | SCREW, HEX HD, TAP, 1/2 - 13 X 4       | 156626 | 1         |
| 8        | NUT, 1/2 - 20 HEX                      | 162586 | 2         |
| 9        | ASSY, MAIN FRAME                       | 165160 | 1         |
| 10       | TOWER                                  | 165289 | 1         |
| 11       | ASSY, DEPTH STOP                       | 165602 | 1         |

FIGURE 12 - PARTS LIST: ASSY, MK-6000 SUB B P/N 165151



| ITEM NO. | DESCRIPTION                        | PART #   | QTY. REQ. |
|----------|------------------------------------|----------|-----------|
| 1        | NUT, HEX, 3/8 - 16                 | 101188   | 2         |
| 2        | WASHER, 3/8 SAE FLAT               | 150923   | 6         |
| 3        | WASHER, 1/2 SAE FLAT               | 150924   | 4         |
| 4        | WASHER, 3/8 SPLIT LOCK             | 150925   | 6         |
| 5        | SCREW, SHOULDER, 1/2 X 1/2         | 151753   | 4         |
| 6        | SCREW, HEX HD CAP, 3/8 - 16 X 1    | 152507   | 4         |
| 7        | SCREW, FLAT HD 10-24 X 5/8         | 154295   | 2         |
| 8        | SCREW, 5/16-18 3/8 SOCKET HEAD SET | 157083   | 2         |
| 9        | SCREW, 3/8 - 16 X 1 - 3/4 HEX HD   | 158398   | 2         |
| 10       | CLAMP, HOSE, 1 - 5/16 TO 2 - 1/4   | 162816   | 2         |
| 11       | WASHER, FENDER, 3/8 ID X 1-1/2 OD  | 163269   | 4         |
| 12       | HANDLE, DEPTH STOP (COMP)          | 163987   | 1         |
| 13       | GROMMET 1/2 X 1.0                  | 164207   | 5         |
| 14       | ASSY, CONTROL PANEL                | 165336   | 1         |
| 15       | ASSY FUEL TANK, DIESEL             | 165601   | 1         |
| 16       | ASSY, CABLE, POINTER               | 165739   | 1         |
| 17       | CLEAT, 1/8" CABLE                  | 165740   | 1         |
| 18       | HOSE, 2.0 ID FUELFILL (COMP)       | 167213   | 1         |
| 19       | NECK, 2" FUEL FILLER               | 167219-D | 1         |
| 20       | CAP, 2" FUEL FILLER                | 167220   | 1         |

FIGURE 13 - PARTS LIST: ASSY, MK-6000 SUB C P/N 165151

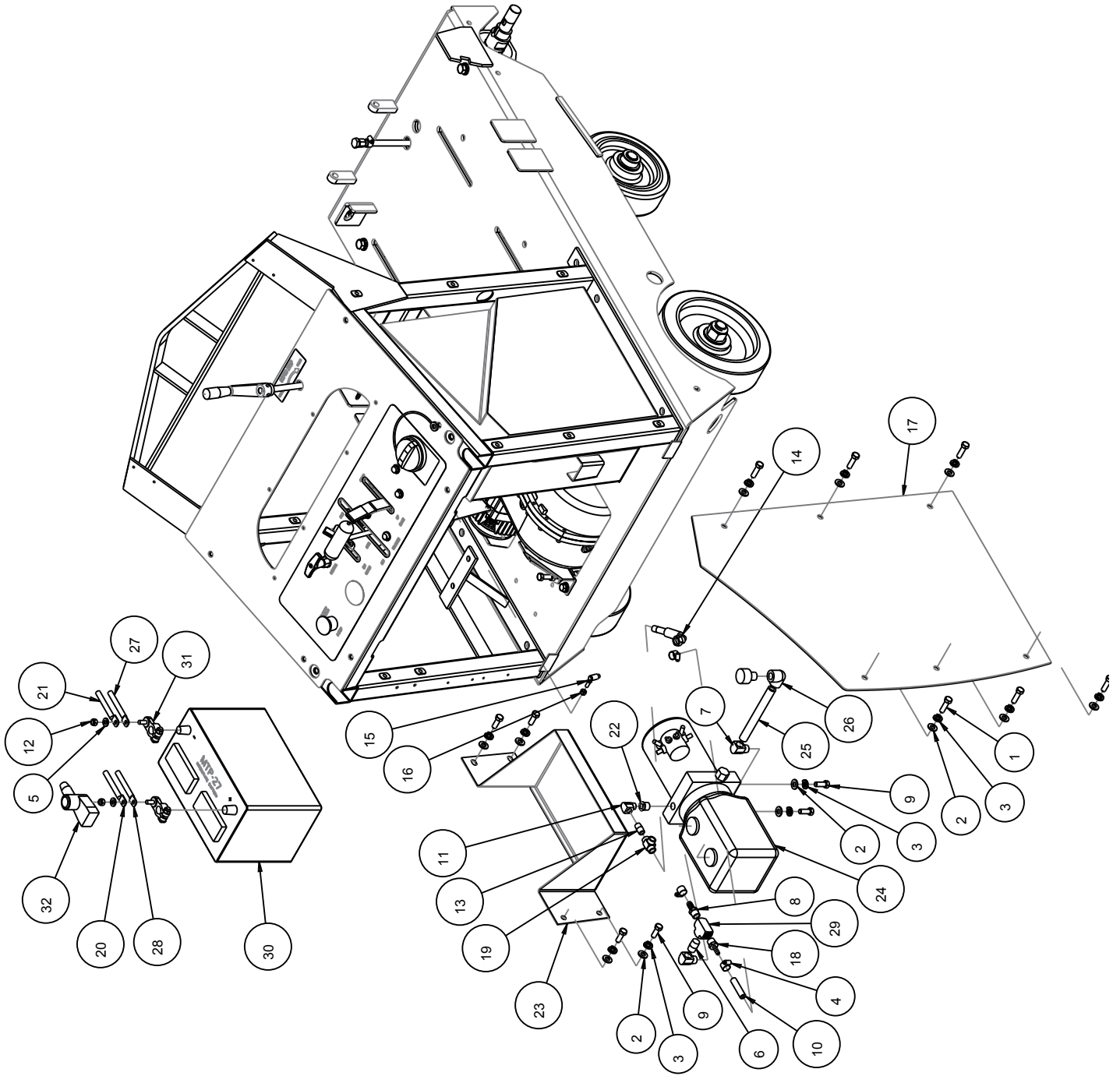
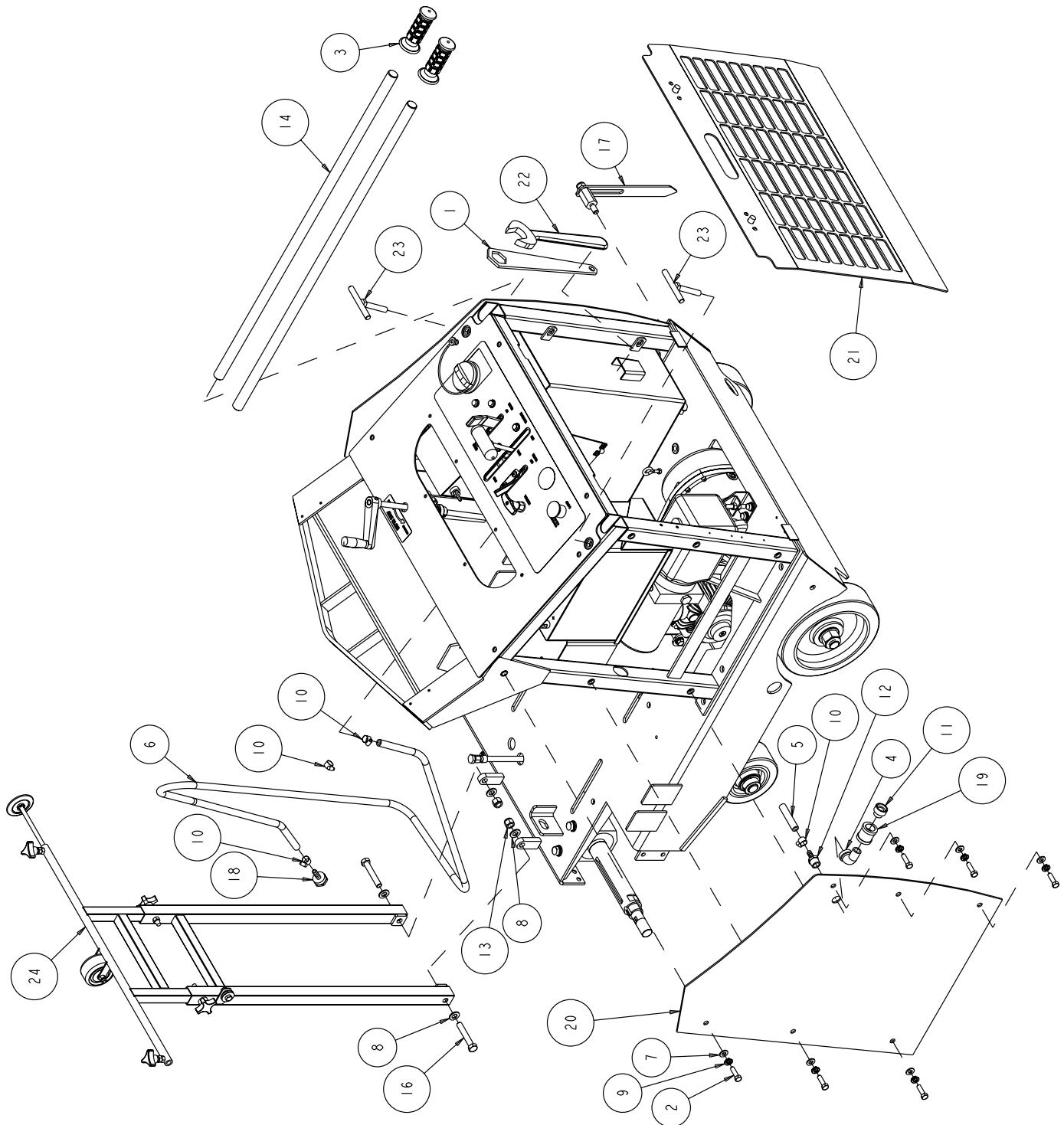


FIGURE 13 - PARTS LIST: ASSY, MK-6000 SUB C P/N 165151

| ITEM NO. | DESCRIPTION                            | PART # | QTY. REQ. |
|----------|--|--------|-----------|
| 1        | SCREW, 3/8 - 16 X 1 - 1/4 HEX HEAD CAP | 150774 | 6         |
| 2        | WASHER, FLAT, SAE, 3/8                 | 150923 | 12        |
| 3        | WASHER, LOCK, SPLIT, 3/8               | 150925 | 12        |
| 4        | CLAMP, 5/8 HOSE                        | 151198 | 3         |
| 5        | WASHER, FLAT, SAE, 5/16                | 151754 | 2         |
| 6        | NIPPLE, 3.8 MNPT X CLOSE               | 152073 | 1         |
| 7        | ELBOW, STREET, 3/8 NPT X 90, BRASS     | 152074 | 2         |
| 8        | FITTING, 3.8 MNPT X 3.8 BARB           | 152076 | 1         |
| 9        | SCREW, HEX HD CAP, 3/8 - 16 X 1        | 152507 | 6         |
| 10       | HOSE, 1/4 FUEL, 36" LONG               | 154163 | 1         |
| 11       | ELBOW, 1/4MNPT STREET                  | 154615 | 1         |
| 12       | NUT, HEX, NYLK, 5/16 - 18              | 158289 | 2         |
| 13       | NIPPLE, 1/4 NPT X CLOSE, BRASS         | 159905 | 1         |
| 14       | HOSE, 1/4NPT X 9/16JIC90 HYD           | 162600 | 1         |
| 15       | BALL, JOINT, 30 SERIES                 | 162859 | 1         |
| 16       | NUT, HEX, NYLK, 1/4 - 28               | 163936 | 1         |
| 17       | PANEL, TOWER R/H                       | 165343 | 1         |
| 18       | FITTING, 3/8 MNPT X 1/4 BARB, BRASS    | 167239 | 1         |
| 19       | FITTING, TEE, 1/4 FNPT, BRASS          | 167272 | 1         |
| 20       | CABLE, 4GA X 29 RED BATTERY            | 167273 | 1         |
| 21       | CABLE, BATTERY, BLACK, 4GA 36"         | 167289 | 1         |
| 22       | FITTING, 3/8 MNPT X 1/4 FNPT           | 167506 | 1         |
| 23       | BOX, BATTERY, 90AH                     | 168728 | 1         |
| 24       | PUMP, HYDRAULIC                        | 168752 | 1         |
| 25       | NIPPLE, 3/8NPT X 6.0, PLAS             | 169372 | 1         |
| 26       | ELBOW, 3/8NPT, PLAS                    | 169373 | 1         |
| 27       | CABLE, BATTERY, 4GA X 60 BLACK         | 169376 | 1         |
| 28       | CABLE, BATTERY, 4GA X 65 RED           | 169378 | 1         |
| 29       | TEE, 3/8NPT, BRASS                     | 170387 | 1         |
| 30       | BATTERY, 12 VOLT 90 AMP-HOUR           | 170457 | 1         |
| 31       | TERMINAL, BATTERY, MARINE POST         | 170459 | 2         |
| 32       | INSULATOR, BATTERY TERM, MARINE        | 170460 | 1         |

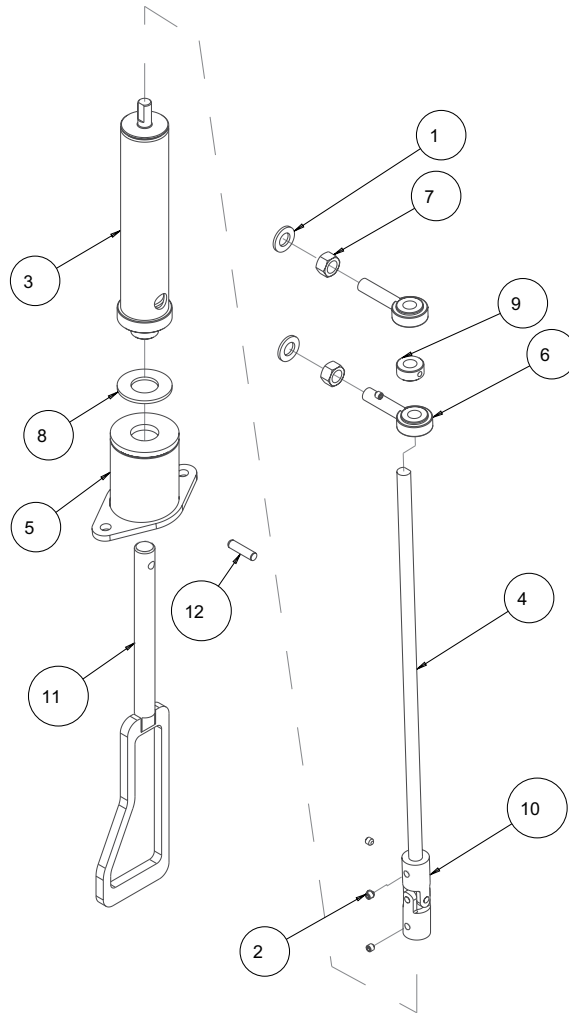
FIGURE 14 - PARTS LIST: ASSY, MK-6000 SUB D P/N 165151



**FIGURE 14 - PARTS LIST: ASSY, MK-6000 SUB D P/N 165151**

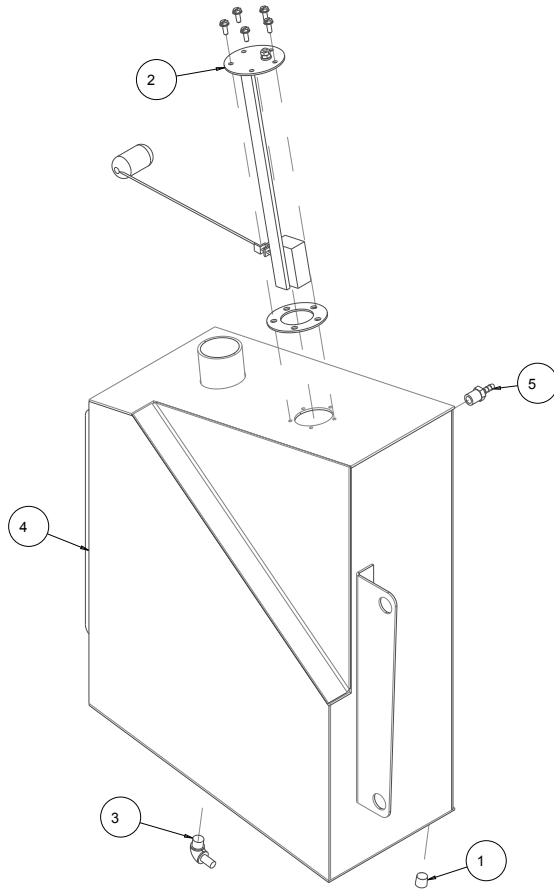
| ITEM NO. | DESCRIPTION                            | PART # | QTY. REQ. |
|----------|--|--------|-----------|
| 1        | WRENCH, BOX END, 1 - 1/2 X 9/16        | 137976 | 1         |
| 2        | SCREW, 3/8 - 16 X 1 - 1/4 HEX HEAD CAP | 150774 | 6         |
| 3        | GRIP, HANDLE, 1.0 ID                   | 150842 | 2         |
| 4        | ELBOW, 1/2 MNPT 90 STREET , GALV       | 150844 | 1         |
| 5        | HOSE, 3/8 X 5/8 VINYL, 8"              | 150845 | 1         |
| 6        | HOSE, 3/8 X 5/8 VINYL, 18"             | 150845 | 1         |
| 7        | WASHER, FLAT, SAE, 3/8                 | 150923 | 6         |
| 8        | WASHER, 1/2 SAE FLAT                   | 150924 | 4         |
| 9        | WASHER, LOCK, SPLIT, 3/8               | 150925 | 6         |
| 10       | CALMP, 5/8 HOSE                        | 151198 | 4         |
| 11       | FITTING, 1/2 MNPT X 3/8 FNH            | 151322 | 1         |
| 12       | FITTING, 1/2 MNPT X 3/8 BARB           | 153653 | 1         |
| 13       | NUT, 1/2 - 13 NYLOK HEX                | 155162 | 2         |
| 14       | HANDLEBAR                              | 161158 | 2         |
| 15       | PALLET, 4000                           | 162658 | 1         |
| 16       | SCREW, HEX HD, CAP, 1/2 - 13 X 3       | 163216 | 2         |
| 17       | ASSY, REAR POINTER                     | 163824 | 1         |
| 18       | FITTING, 3/4 X 11.5 FNH X 3/8 BARB     | 163991 | 1         |
| 19       | FITTING, 1/2 NPT COUPLER               | 164208 | 1         |
| 20       | PANEL, TOWER L/H                       | 165342 | 1         |
| 21       | ASSY, BACK PANEL, LATCHING             | 165344 | 1         |
| 22       | WRENCH, 1 - 3/8 OPEN END               | 168750 | 1         |
| 23       | KNOB, T-HANDLE, 1/2 - 13 X 2           | 168751 | 2         |
| 24       | ASSY, POINTER, FRONT                   | 169111 | 1         |

FIGURE 15 - PARTS LIST: ASSY, DEPTH STOP P/N 165602



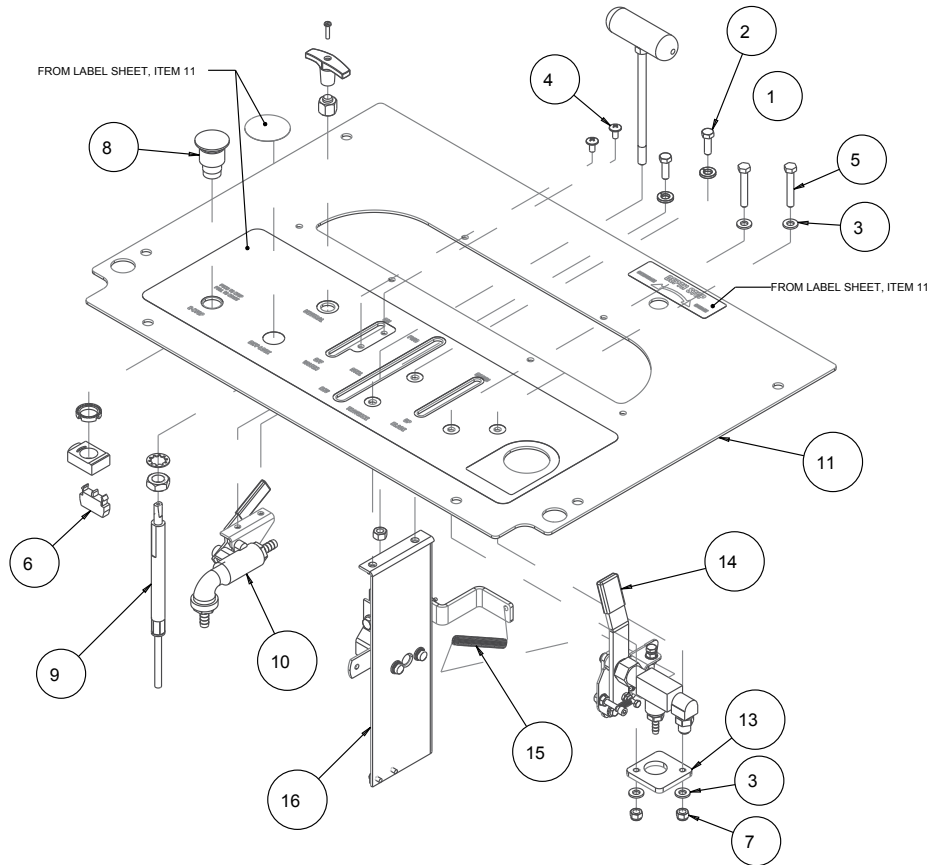
| ITEM NO. | DESCRIPTION                        | PART # | QTY. REQ. |
|----------|------------------------------------|--------|-----------|
| 1        | WASHER, 1/2 SAE FLAT               | 150924 | 2         |
| 2        | SCREW, SET, CUP PT 5/16 - 18 X 1/4 | 152607 | 4         |
| 3        | TUBE, DEPTH STOP                   | 161138 | 1         |
| 4        | ARM, DEPTH STOP LINKAGE            | 161156 | 1         |
| 5        | CUP, DEPTH STOP                    | 162582 | 1         |
| 6        | ROD END, 1/2" BALL JOINT           | 162583 | 2         |
| 7        | NUT, 1/2 - 20 HEX                  | 162586 | 2         |
| 8        | BEARING, 1 X 2 X 1/8 BRONZE THRUST | 162623 | 1         |
| 9        | COLLAR, SHAFT, 1/2                 | 162633 | 1         |
| 10       | U-JOINT, 1.0 OD X 0.5 ID (COMP)    | 163988 | 1         |
| 11       | SCREW, DEPTH STOP                  | 165288 | 1         |
| 12       | PIN, 5/16 X 1-1/4 GROOVE           | 171037 | 1         |

**FIGURE 16 - PARTS LIST: ASSY, FUEL TANK P/N 165601**



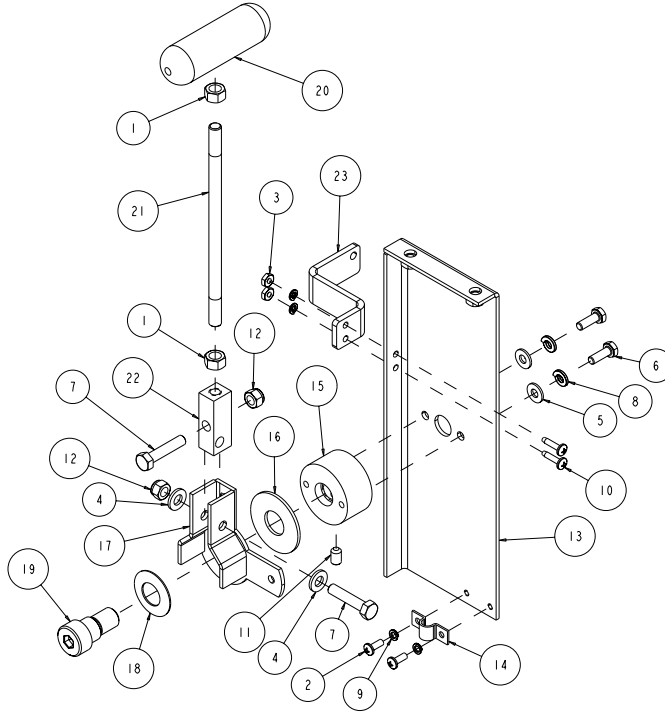
| ITEM NO. | DESCRIPTION                      | PART # | QTY. REQ. |
|----------|----------------------------------|--------|-----------|
| 1        | PLUG, 1/4NPT HEX SOCKET          | 154679 | 1         |
| 2        | SENDER, FUEL                     | 162636 | 1         |
| 3        | ELBOW, 1/4MNPT X 5/16BARB, BRASS | 164278 | 1         |
| 4        | TANK, FUEL                       | 165286 | 1         |
| 5        | FITTING, 1/4MNPT X 3/16 BARB     | 169361 | 1         |

FIGURE 17 - PARTS LIST: ASSY, CONTROL PANEL, P/N 165336



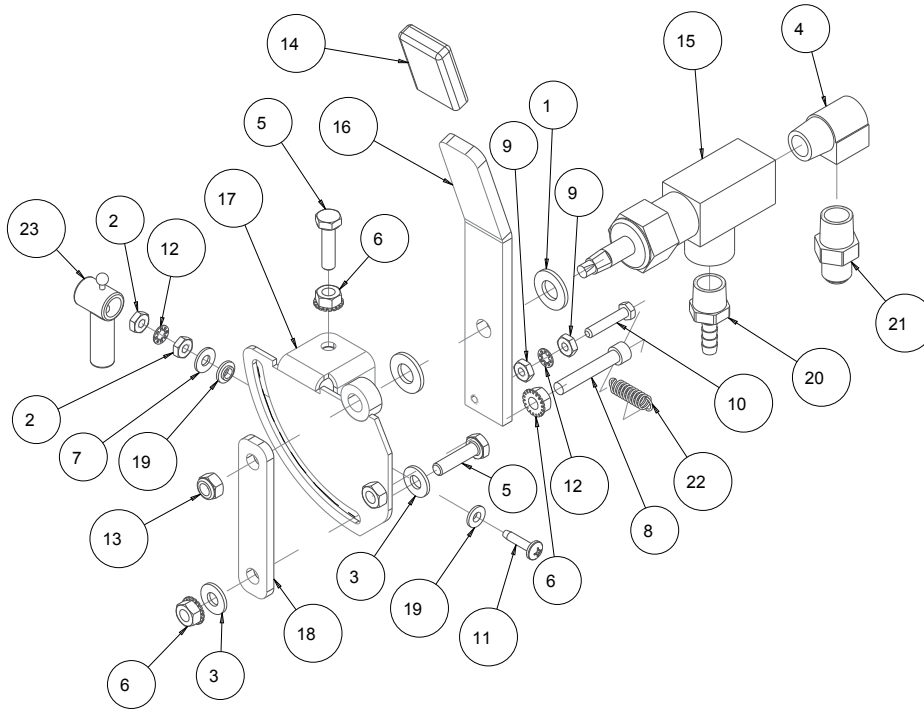
| ITEM NO. | DESCRIPTION                         | PART # | QTY. REQ. |
|----------|-------------------------------------|--------|-----------|
| 1        | WASHER, 3/8 SPLIT LOCK              | 150925 | 2         |
| 2        | SCREW, 5/16-18 X 1 HEX HEAD MACHINE | 151743 | 2         |
| 3        | WASHER, 5/16 SAE FLAT               | 151754 | 4         |
| 4        | SCREW, 1/4-20 X 1/2 TRUSS HEAD      | 153880 | 2         |
| 5        | SCREW, 5/16-18 X 2 HEX HEAD         | 155494 | 2         |
| 6        | CONTACTS, NC                        | 156204 | 1         |
| 7        | NUT, 5/16-18 NYLOK HEX              | 158289 | 2         |
| 8        | ASSY, SWITCH BUTTON, GAS            | 162080 | 1         |
| 9        | CABLE, T2L, CONTROL, N- COMP        | 163934 | 1         |
| 10       | ASSY, WATER VALVE                   | 164161 | 1         |
| 11       | PANEL, CONTROL                      | 165337 | 1         |
| 12       | LABEL, SET, CONTROL PANEL           | 167218 | 1         |
| 13       | PLATE, UP/DOWN CONTROL MOUNT        | 167232 | 1         |
| 14       | ASSY, UP/DOWN CONTROL               | 167233 | 1         |
| 15       | SPRING, EXT, 7/160D X .048WD X 3.0L | 167270 | 1         |
| 16       | ASSY, CONTROLHEAD, FNR              | 168753 | 1         |

FIGURE 18 - PARTS LIST: ASSY, CONTROLHEAD, FNR SUB P/N 168753



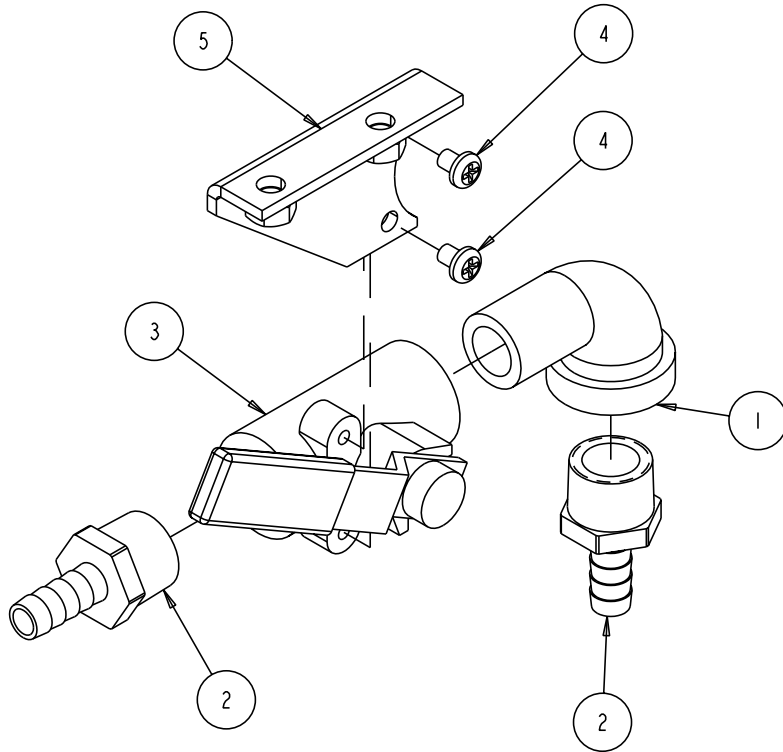
| ITEM NO. | DESCRIPTION                                  | PART # | QTY. REQ. |
|----------|--|--------|-----------|
| 1        | NUT, 3/8-16 HEX                              | 101188 | 2         |
| 2        | SCREW, 10-24 X 1/2 PAN HEAD PHILLIPS MACHINE | 151744 | 2         |
| 3        | NUT, 10-24 HEX                               | 151749 | 2         |
| 4        | WASHER, 5/16 SAE FLAT                        | 151754 | 2         |
| 5        | WASHER, 1/4 SAE FLAT                         | 151915 | 2         |
| 6        | SCREW, HEX HD, 1/4 - 20 X 3/4                | 152370 | 2         |
| 7        | SCREW, 5/16-18 X 1-1/2 HEX HEAD MACHINE      | 152467 | 2         |
| 8        | WASHER, 1/4 SPLIT LOCK                       | 152591 | 2         |
| 9        | WASHER, #10 SPLIT LOCK                       | 153684 | 4         |
| 10       | SCREW, PAN HD PHIL MS 10-24X3/4              | 156641 | 2         |
| 11       | SCREW, 5/16 - 18 X 3/8 SOCKET HEAD SET       | 157084 | 1         |
| 12       | NUT, 5/16-18 NYLOK HEX                       | 158289 | 2         |
| 13       | BRACKET, FNR CONTROL                         | 162634 | 1         |
| 14       | CLAMP, 30 SERIES CONDUIT                     | 162860 | 1         |
| 15       | JOURNAL, FNR CONTROL                         | 162889 | 1         |
| 16       | WASHER, 2.0 X .812 X .088 NYLON              | 162890 | 1         |
| 17       | BRACKET, FNR PIVOT                           | 162891 | 1         |
| 18       | SPRING, 1.50 X .755 X .045, DISK             | 162892 | 1         |
| 19       | SCREW, 3/4 X 1/2 SOCKET HEAD SHOULDER        | 162893 | 1         |
| 20       | HANDLE, FNR GRIP                             | 167227 | 1         |
| 21       | BAR, FNR HANDLE                              | 167228 | 1         |
| 22       | BLOCK, FNR HANDLE                            | 167229 | 1         |
| 23       | BRACKET, FNR SPRING                          | 167231 | 1         |

FIGURE 19 - PARTS LIST: ASSY, UP/DOWN CONTROL P/N 167233



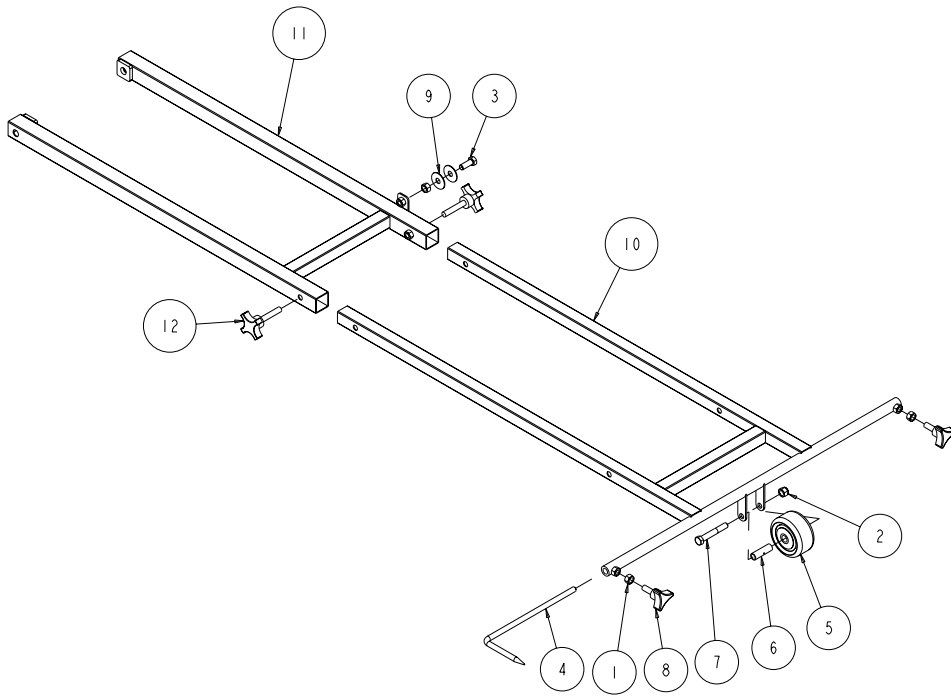
| ITEM NO. | DESCRIPTION                               | PART # | QTY. |
|----------|---|--------|------|
| 1        | WASHER, 3/8 SAE FLAT                      | 150923 | 2    |
| 2        | NUT, 10-24 HEX                            | 151749 | 2    |
| 3        | WASHER, 1/4 SAE FLAT                      | 151915 | 2    |
| 4        | ELBOW, STREET, 3/8 NPT X 90, BRASS        | 152074 | 1    |
| 5        | SCREW, HEX HD TAP, 1/4-20 X 1             | 152676 | 2    |
| 6        | NUT, HEX TW, 1/4-20                       | 153941 | 3    |
| 7        | WASHER, #10 SAE FLAT                      | 154369 | 1    |
| 8        | SCREW, SOC HD CAP, 1/4- 20 X 1            | 154683 | 1    |
| 9        | NUT, HEX 10-32                            | 156269 | 2    |
| 10       | SCREW, 10-32 X 1 HEX HEAD CAP             | 156270 | 1    |
| 11       | SCREW, PAN HD PHIL MS 10-24X3/4           | 156641 | 1    |
| 12       | WASHER, LOCK, IT, #10                     | 158336 | 2    |
| 13       | NUT, HEX, NYLK, 1/4-28                    | 163936 | 1    |
| 14       | CAP, PUSH-ON, VINYL, 1 X 1/4              | 167216 | 1    |
| 15       | VALVE, 3/8 ANGLE NEEDLE                   | 167234 | 1    |
| 16       | HANDLE, UP/DOWN CONTROL                   | 167235 | 1    |
| 17       | PLATE, UP/DOWN ADJ                        | 167236 | 1    |
| 18       | ARM, DEPTH CONTROL ADJ                    | 167237 | 1    |
| 19       | WASHER, 5/16 FLANGED PLASTIC              | 167238 | 2    |
| 20       | FITTING, 3/8 MNPT X 1/4 BARB, BRASS       | 167239 | 1    |
| 21       | FITTING, 3/8 NPT X 3/8 JIC                | 167240 | 1    |
| 22       | SPRING, EXTENSION .30OD X 3/4L X .037WIRE | 167241 | 1    |
| 23       | INSULATOR, EYELET TERMINAL, RED           | 170718 | 1    |

**FIGURE 20 - PARTS LIST: ASSY, WATER VALVE P/N 164161**



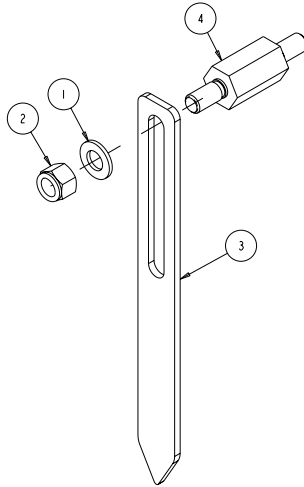
| ITEM NO. | DESCRIPTION                     | PART # | QTY. REQ. |
|----------|---------------------------------|--------|-----------|
| 1        | ELBOW, 1/2 MNPT 90 STREET, GALV | 1      | 150848    |
| 2        | FITTING, 1/2 MNPT X 3/8 BARB    | 2      | 153653    |
| 3        | VALVE, BALL 1/2"                | 1      | 153796    |
| 4        | SCREW, PAN HD PHIL 10-24 X 5/16 | 2      | 159494    |
| 5        | BRACKET, WATER VALVE            | 1      | 162650    |

FIGURE 21 - PARTS LIST: ASSY, POINTER, FRONT P/N 169111



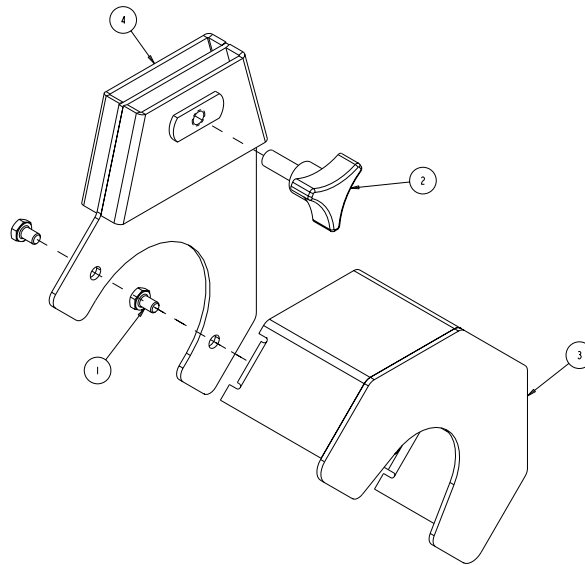
| ITEM NO. | DESCRIPTION                         | PART # | QTY. REQ. |
|----------|-------------------------------------|--------|-----------|
| 1        | NUT, 3/8-16 HEX                     | 101188 | 3         |
| 2        | NUT, 3/8-16 NYLOK HEX               | 152505 | 1         |
| 3        | SCREW, HEX HD CAP, 3/8 - 16 X 1     | 152507 | 1         |
| 4        | WHEEL, POINTER, 3"                  | 155066 | 1         |
| 5        | BUSHING, 3/8 ID X 1-5/8L            | 155153 | 1         |
| 6        | SCREW, 3/8-16 X 2-1/2 HEX HEAD CAP  | 156030 | 1         |
| 7        | KNOB, 3 PRONG 3/8-16 X 1            | 156175 | 2         |
| 8        | WASHER, FENDER, 3/8 ID X 1 - 1/2 OD | 163269 | 2         |
| 9        | ASSY, POINTER WHEEL                 | 165238 | 1         |
| 10       | POINTER ARM, UPPER                  | 160938 | 1         |
| 11       | POINTER ARM, LOWER                  | 169113 | 1         |
| 12       | KNOB, 4 PRONG 3/8 -16 X 2           | 169114 | 2         |

**FIGURE 22 - PARTS LIST: ASSY, REAR POINTER P/N 163824**



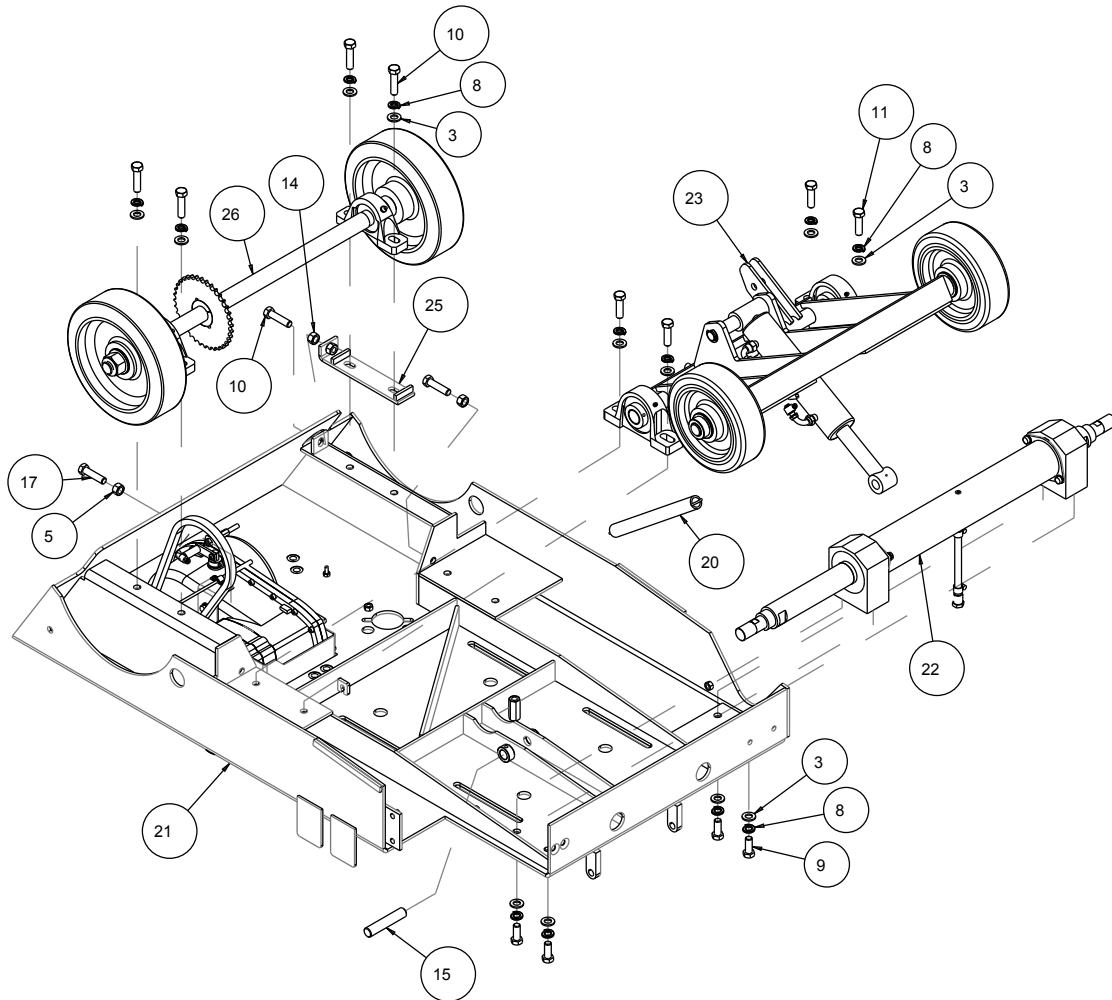
| ITEM NO. | DESCRIPTION             | PART # | QTY. REQ. |
|----------|-------------------------|--------|-----------|
| 1        | WASHER, 1/2 SAE FLAT    | 150924 | 1         |
| 2        | NUT, 1/2 - 13 NYLOK HEX | 155162 | 1         |
| 3        | ARM, REAR POINTER       | 160951 | 1         |
| 4        | STANDOFF, REAR POINTER  | 163825 | 1         |

**FIGURE 23 - PARTS LIST: ASSY, SHAFT GUARD P/N 166056**



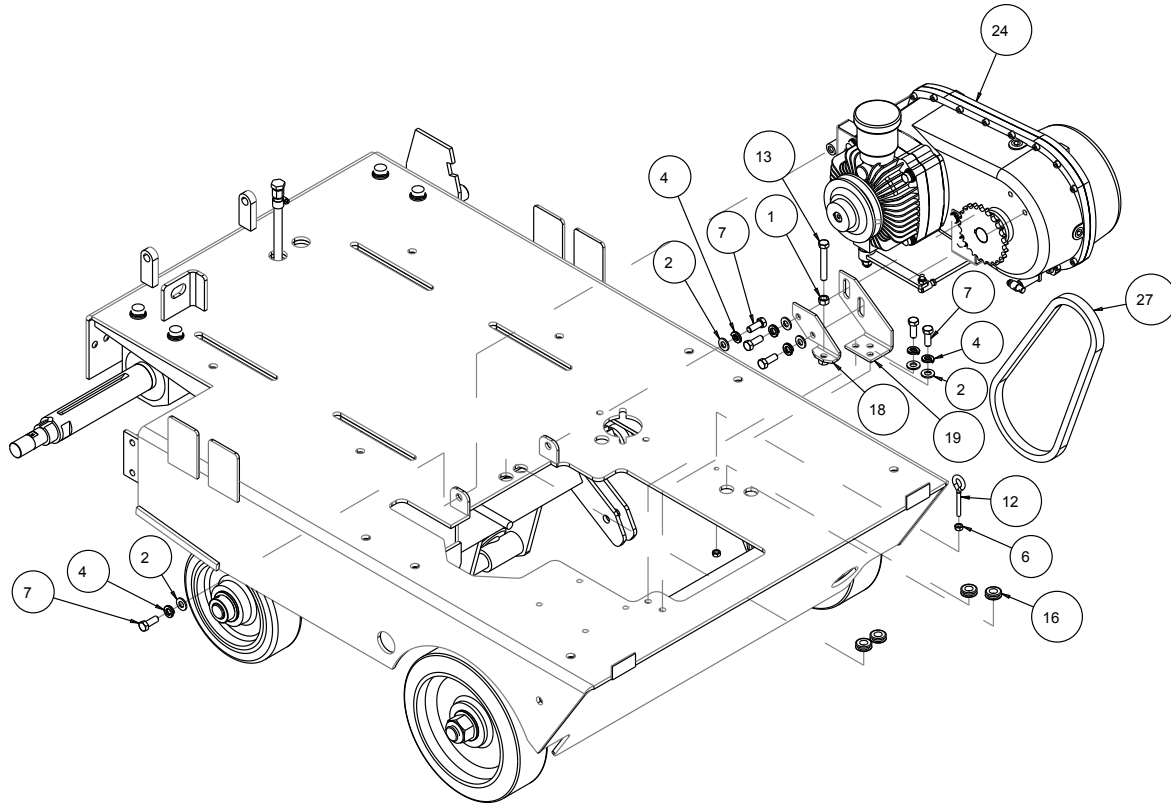
| ITEM NO. | DESCRIPTION                  | PART # | QTY. REQ. |
|----------|------------------------------|--------|-----------|
| 1        | SCREW, HEX HD 1/4 - 20 X 3/8 | 153526 | 2         |
| 2        | KNOB, 3 PRONG 3/8 - 16 X 1   | 156175 | 1         |
| 3        | GUARD, SHAFT                 | 161109 | 1         |
| 4        | BACK PLATE, SHAFT GUARD      | 166057 | 1         |

FIGURE 24 - PARTS LIST: ASSY, FRAME SUB P/N 165160



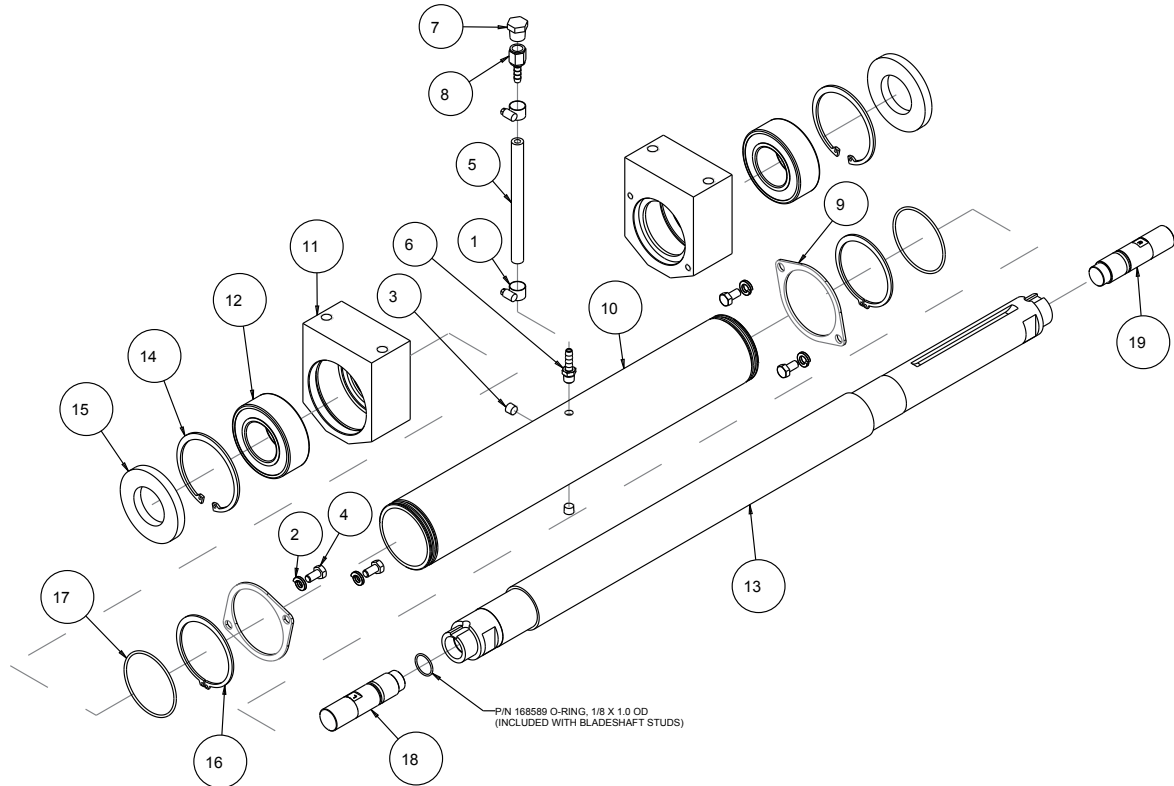
| ITEM NO. | DESCRIPTION                            | PART # | QTY. REQ. |
|----------|--|--------|-----------|
| 1        | NUT, HEX, 3/8 - 16                     | 101188 | 1         |
| 2        | WASHER, FLAT, SAE, 3/8                 | 150923 | 6         |
| 3        | WASHER, 1/2 SAE FLAT                   | 150924 | 12        |
| 4        | WASHER, LOCK, SPLIT, 3/8               | 150925 | 6         |
| 5        | NUT, 1/2 - 13 HEX                      | 151282 | 2         |
| 6        | NUT, HEX, 1/4 - 20                     | 151893 | 2         |
| 7        | SCREW, HEX HD CAP, 3/8 - 16 X 1        | 152507 | 6         |
| 8        | WASHER, 1/2 SPLIT LOCK                 | 153524 | 12        |
| 9        | SCREW, 1/2 - 13 X 1 -1/4 HEX HEAD CAP  | 153532 | 4         |
| 10       | SCREW, HEX HD 1/2 - 13 X 2             | 153533 | 5         |
| 11       | SCREW, 1/2 - 13 X 1 - 3/4 HEX HEAD CAP | 153853 | 4         |
| 12       | EYEBOLT, 1/4 - 20 X 2                  | 153887 | 1         |
| 13       | BOLT, 3/8 - 16 X 2 - 1/2 HEX HEAD CAP  | 155589 | 1         |
| 14       | NUT, 1/2 - 13 CENTERBLOCK HEX          | 156279 | 1         |

FIGURE 24 - PARTS LIST: ASSY, FRAME SUB P/N 165160



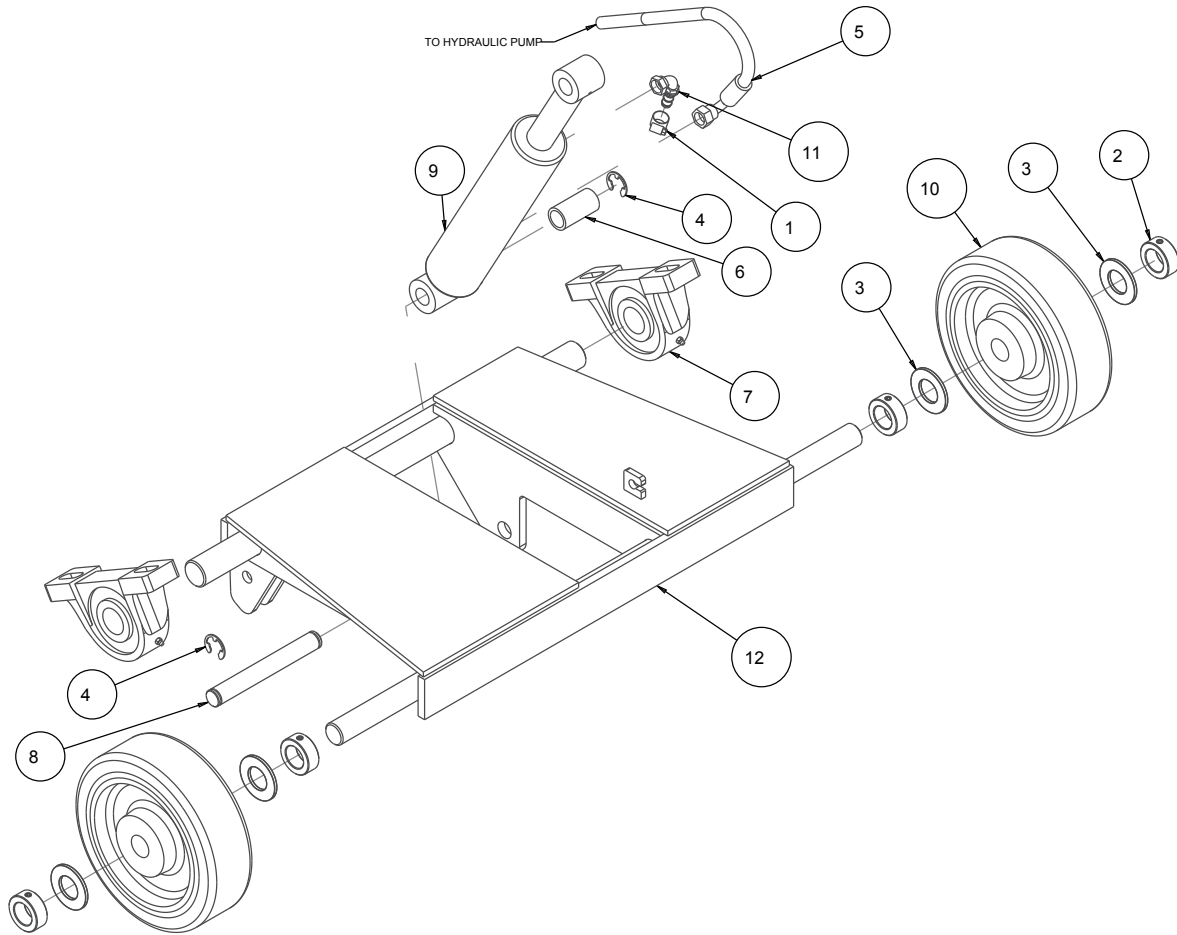
| ITEM NO. | DESCRIPTION                        | PART # | QTY. REQ. |
|----------|------------------------------------|--------|-----------|
| 15       | PIN, Ø3/4 X 3 - 1/2 CLEVIS         | 161164 | 1         |
| 16       | GROMMET, 1/2 X 1.0                 | 162493 | 4         |
| 17       | BOLT, 1/2 - 13 X 2.0 HEX HEAD TAP  | 162598 | 2         |
| 18       | BRACKET, TRANS LIFT, ADJ           | 162743 | 1         |
| 19       | BRACKET, TRANS MOUNT FIXED         | 162744 | 1         |
| 20       | SPRING, 1.0 X 7.0 X .135 EXTENTION | 162830 | 1         |
| 21       | FRAME, MAIN                        | 165159 | 1         |
| 22       | ASSY, BLADE SHAFT, 45MM            | 165583 | 1         |
| 23       | ASSY, TRUCK, 6000FP                | 165592 | 1         |
| 24       | ASSY, TRANSMISSION                 | 166338 | 1         |
| 25       | PLATE, REAR AXLE ALIGN             | 168293 | 1         |
| 26       | ASSY, REAR AXLE                    | 168581 | 1         |
| 27       | CHAIN, ROLLER, #40 X 34" +C/L      | 168585 | 1         |

FIGURE 25 - PARTS LIST: ASSY, BLADE SHAFT P/N 165583



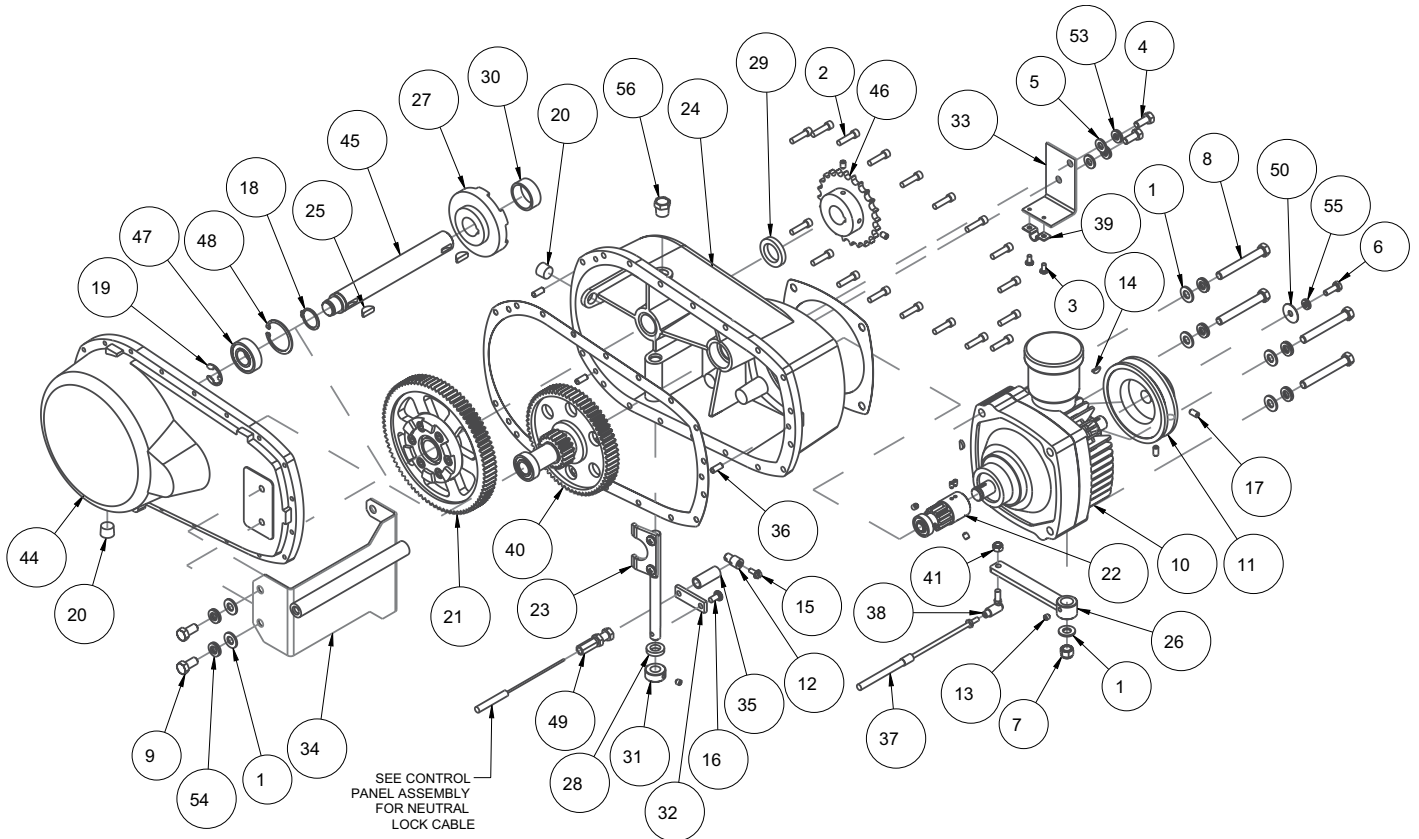
| ITEM NO. | DESCRIPTION                         | PART # | QTY. REQ. |
|----------|-------------------------------------|--------|-----------|
| 1        | CLAMP, 5/8 HOSE                     | 151198 | 2         |
| 2        | WASHER, 5/16 SPLIT LOCK             | 151747 | 4         |
| 3        | PLUG, 1/8NPT HEX SOCKET             | 152472 | 2         |
| 4        | SCREW, 5/16-18 X 5/8 HEX HEAD CAP   | 153949 | 4         |
| 5        | HOSE, 1/4 FUEL                      | 154163 | 1         |
| 6        | FITTING, 1/8 MNPT X 1/4 BARB        | 155809 | 1         |
| 7        | PLUG, 3/8NPT BRONZE BREATHER        | 161209 | 1         |
| 8        | FITTING, 1/4 FNPT X 1/4 BARB        | 162601 | 1         |
| 9        | FLANGE, 3" BLADESHAFT TUBE          | 165456 | 2         |
| 10       | TUBE, 45MM BLADE SHAFT              | 165584 | 1         |
| 11       | BLOCK, 85MM BEARING                 | 165586 | 2         |
| 12       | BEARING, 45 X 85 X 30.2, D-ROW BALL | 165587 | 2         |
| 13       | SHAFT, 45MM BLADE                   | 165588 | 1         |
| 14       | RING, 85MM INTERNAL RETAINING       | 165589 | 2         |
| 15       | SEAL, 45MM X 85MM OIL               | 165590 | 2         |
| 16       | RING, RETAINING, 3 EXTERNAL         | 165591 | 2         |
| 17       | O-RING, 3/32 X 30D                  | 168586 | 2         |
| 18       | STUD, BLADESHAFT, LH THREAD         | 168587 | 1         |
| 19       | STUD, BLADESHAFT, RH THREAD         | 168588 | 1         |

FIGURE 26 - PARTS LIST: ASSY, TRUCK, FRT PIVOT P/N 165592



| ITEM NO. | DESCRIPTION                       | PART # | QTY. REQ. |
|----------|-----------------------------------|--------|-----------|
| 1        | CLAMP, HOSE, 5/8                  | 151198 | 1         |
| 2        | COLLAR, 1.0 SHAFT                 | 160849 | 4         |
| 3        | WASHER, 1 SAE FLAT                | 160851 | 4         |
| 4        | RING, .75 E-STYLE RETAINING       | 161163 | 2         |
| 5        | HOSE, 1/4NPT X 9/16JIC90 HYD      | 162600 | 1         |
| 6        | SPACER, 1.0 X .75 X 1.94          | 164046 | 1         |
| 7        | BEARING, 1 - 3/16 ID PILLOW BLOCK | 165593 | 2         |
| 8        | PIN, Ø3/4 X 5 CLEVIS              | 165594 | 1         |
| 9        | CYLINDER, 6" HYDRAULIC            | 165595 | 1         |
| 10       | WHEEL, 8 X 2 - 1/2 X 1            | 170378 | 2         |
| 11       | ELBOW, 3/8 FJIC X 3/8 BARB        | 170388 | 1         |
| 12       | WELDMENT, TRUCK, 6000FP           | 170399 | 1         |

FIGURE 27 - PARTS LIST: ASSY, TRANSMISSION P/N 166338

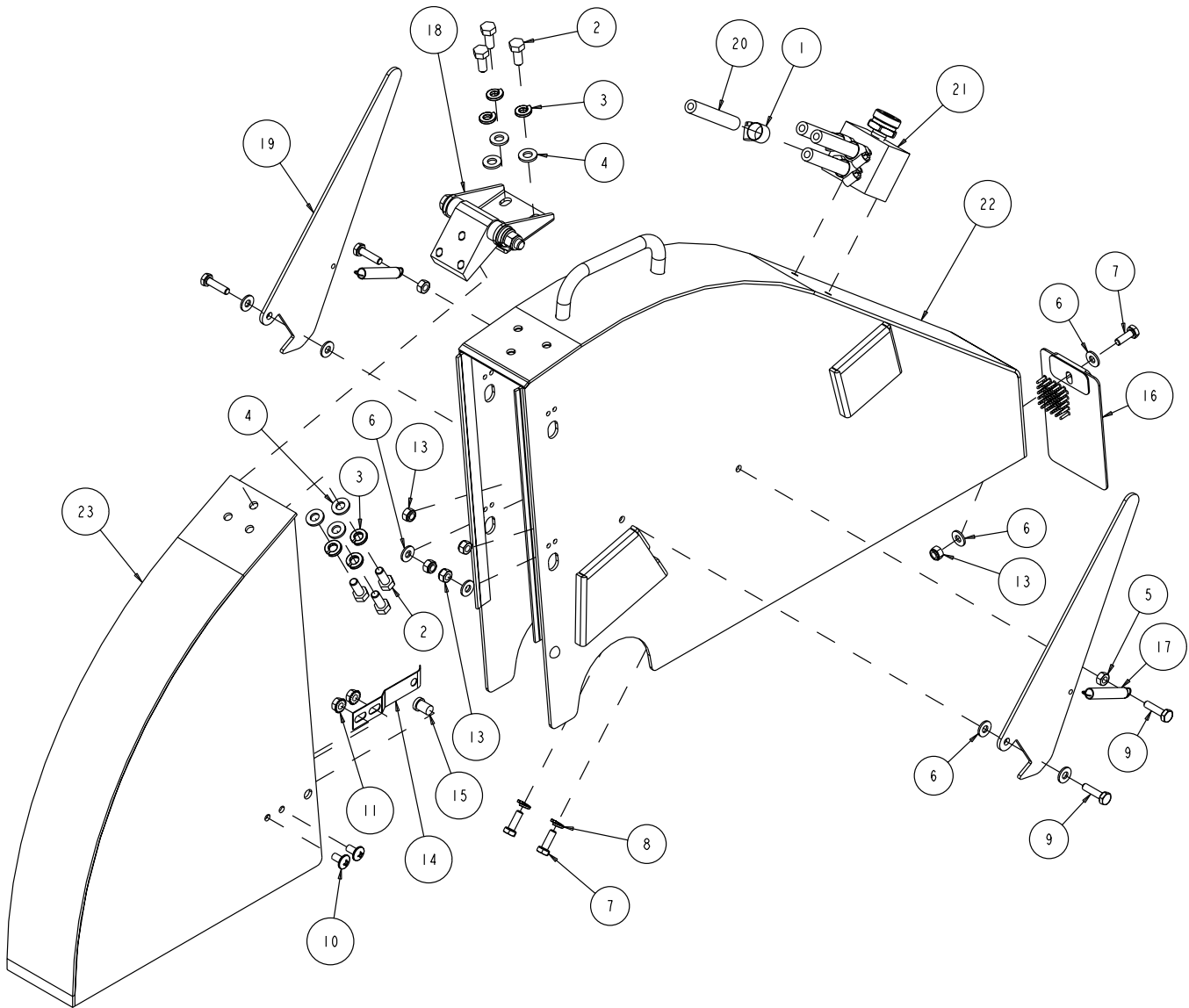


| ITEM NO. | DESCRIPTION                       | PART # | QTY. |
|----------|-----------------------------------|--------|------|
| 1        | WASHER, 3/8 SAE FLAT              | 150923 | 7    |
| 2        | SCREW, SOC HD CAP, 1/4-20 X 1     | 151049 | 18   |
| 3        | SCREW, PAN HD, #10-24 X 3/8       | 151097 | 2    |
| 4        | SCREW, HEX HD, CAP, 5/16-18 X 3/4 | 151369 | 2    |
| 5        | WASHER, FLAT, SAE, 5/16           | 151754 | 2    |
| 6        | SCREW, HEX HD, 1/4-20 X 3/4       | 152370 | 1    |
| 7        | NUT, 3/8-16 NYLOK HEX             | 152505 | 1    |
| 8        | SCREW, 3/8-16 X 3 HEX HEAD CAP    | 153113 | 4    |
| 9        | SCREW, HEX, 3/8-16 X 3/4          | 153527 | 2    |
| 10       | PUMP, TRANSMISSION                | 153783 | 1    |
| 11       | PULLEY, A4.0 X 17 MM BORE OFFSET  | 153826 | 1    |
| 12       | PIN, WIRE STOP                    | 153842 | 1    |
| 13       | SCREW, SET CUP PT 1/4-20 X 1/4    | 153864 | 1    |
| 14       | KEY, WOODRUFF, 1/8 X 1/2          | 153865 | 2    |
| 15       | SCREW, HEX HD FL 10-24 X 5/16     | 154172 | 1    |

FIGURE 28 - PARTS LIST: ASSY, TRANSMISSION P/N 166338

| ITEM NO. | DESCRIPTION                         | PART # | QTY. |
|----------|-------------------------------------|--------|------|
| 16       | SCREW, PAN HD, CAP, 1/4-20 X 1/2    | 155452 | 1    |
| 17       | SCREW, 1/4-20 X 1/2 SOCKET HEAD SET | 155804 | 2    |
| 18       | RING, 1" EXTERNAL RETAINING         | 161140 | 1    |
| 19       | RING, .75 E-STYLE RETAINING         | 161163 | 1    |
| 20       | PLUG, 3/8 NPT HEX SOCKET, GALV      | 161208 | 2    |
| 21       | ASSY, ENGAGEMENT GEAR               | 161233 | 1    |
| 22       | ASSY, PUMP PINION                   | 161235 | 1    |
| 23       | ASSY, TRANS FORK 1                  | 161237 | 1    |
| 24       | ASSY, TRANS CASE 1                  | 161248 | 1    |
| 25       | KEY, WOODRUFF, 1/4 X 3/4            | 161261 | 2    |
| 26       | LEVER, TRANS CONTROL                | 161263 | 1    |
| 27       | PLATE, LOCKER, KEYED                | 161264 | 1    |
| 28       | SEAL, OIL, 1/2 X 7/8 X 3/16         | 161270 | 1    |
| 29       | SEAL, 1 X 1-1/2 X 1/4 OIL           | 161271 | 1    |
| 30       | SPRING, 1.5OD X 1.3 COMPRESSION     | 161279 | 1    |
| 31       | COLLAR, 1/2 SHAFT                   | 162633 | 1    |
| 32       | LEVER, TRANS FORK                   | 162673 | 1    |
| 33       | BRACKET, TRANS FNR                  | 162735 | 1    |
| 34       | BRACKET, TRANS PIVOT                | 162741 | 1    |
| 35       | SPRING, .56 OD X 1.38 COMPRESSION   | 162829 | 1    |
| 36       | PIN, 1/4 X 5/8 DOWEL                | 162849 | 3    |
| 37       | CABLE, TRANS CONTROL                | 162858 | 1    |
| 36       | BALL JOINT, 30 SERIES               | 162859 | 1    |
| 39       | CLAMP, 30 SERIES CONDUIT            | 162860 | 1    |
| 40       | ASSY, CHANGE GEAR                   | 162883 | 1    |
| 41       | NUT, HEX, NYLK, 1/4-28              | 163936 | 1    |
| 42       | OIL, 80-90 SAE GEAR                 | 164971 | 1    |
| 43       | SEALANT, HI-TEMP FORM-A-GASKET      | 164972 | 1    |
| 44       | CASTING, TRANS CASE3 (COMP)         | 166340 | 1    |
| 45       | SHAFT, AXLE, #3                     | 166341 | 1    |
| 46       | SPROCKET, 40BS24 X 1.0 BORE         | 166342 | 1    |
| 47       | BEARING, BALL, 20 X 42 X 12MM       | 166343 | 1    |
| 48       | RING, 1-11/16 INTERNAL RETAINING    | 166344 | 1    |
| 49       | FITTING, THROTTLE CABLE END         | 169042 | 1    |
| 50       | WASHER, FENDER, 1/4 X 1             | 169049 | 1    |
| 51       | GASKET SET, TRANSMISSION            | 169465 | 1    |
| 52       | SEALANT, GASKET, PT#2 (0.5 OZ)      | 169466 | 1    |
| 53       | WASHER, CHROMATE, 5/16, PAIR        | 169690 | 2    |
| 54       | WASHER, CHROMATE, 3/8, PAIR         | 169692 | 6    |
| 55       | WASHER, CHROMATE, 1/4, PAIR         | 169693 | 1    |
| 56       | PLUG, 3/8 NPT BRONZE BREATHER       | 170959 | 1    |

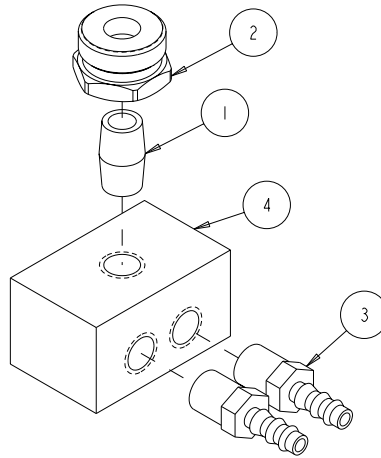
FIGURE 31 - PARTS LIST: ASSY, 30" BLADE GUARD P/N 168279-30-WH



**FIGURE 31 - PARTS LIST: ASSY, 30" BLADE GUARD P/N 168279-30-WH**

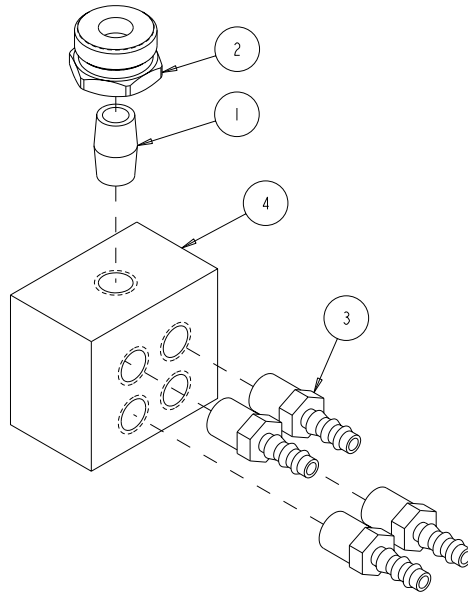
| ITEM NO. | DESCRIPTION                           | PART #       | QTY. REQ. |
|----------|---------------------------------------|--------------|-----------|
| 1        | CLAMP, 5/8 HOSE                       | 151198       | 2         |
| 2        | SCREW, 5/16-18 X 3/4 HEX HEAD MACHINE | 151369       | 6         |
| 3        | WASHER, LOCK, SPLIT, 5/16             | 151747       | 6         |
| 4        | WASHER, 5/16 SAE FLAT                 | 151754       | 6         |
| 5        | NUT, 1/4-20 HEX                       | 151893       | 2         |
| 6        | WASHER, 1/4 SAE FLAT                  | 151915       | 8         |
| 7        | SCREW, 1/4-20 X 3/4 HEX HEAD MACHINE  | 152370       | 3         |
| 8        | WASHER, 1/4 SPLIT LOCK                | 152591       | 2         |
| 9        | SCREW, HEX HD CAP, 1/4-20 X 1         | 152676       | 4         |
| 10       | SCREW, 1/4-20 X 1/2 TRUSS HEAD        | 153880       | 2         |
| 11       | NUT, HEX W/WSHR, 1/4-20               | 153941       | 2         |
| 12       | TIE, NYLON CABLE, 1/8 X 4, BLACK      | 158528       | 4         |
| 13       | NUT, 1/4-20 NYLOK                     | 159857       | 5         |
| 14       | LOCK, BLADE GUARD                     | 159998       | 1         |
| 15       | BUTTON, RELEASE                       | 159999       | 1         |
| 16       | GUARD, SPLASH                         | 160310       | 1         |
| 17       | SPRING, EXTENSION                     | 160875       | 2         |
| 18       | ASSY, HINGE                           | 163979       | 1         |
| 19       | LATCH, 30" BLADE GUARD                | 165874       | 2         |
| 20       | HOSE, VINYL, 1/4 X 1/2 (24"L)         | 167620       | 4         |
| 21       | ASSY, WATER MANIFOLD, 4T              | 167625       | 1         |
| 22       | GUARD, 30" FRONT BLADE                | 168277-30-WH | 1         |
| 23       | GUARD, 30" REAR BLADE                 | 168278-30-WH | 1         |

**FIGURE 33 - PARTS LIST: ASSY, WATER MANIFOLD, 2T P/N 167624**



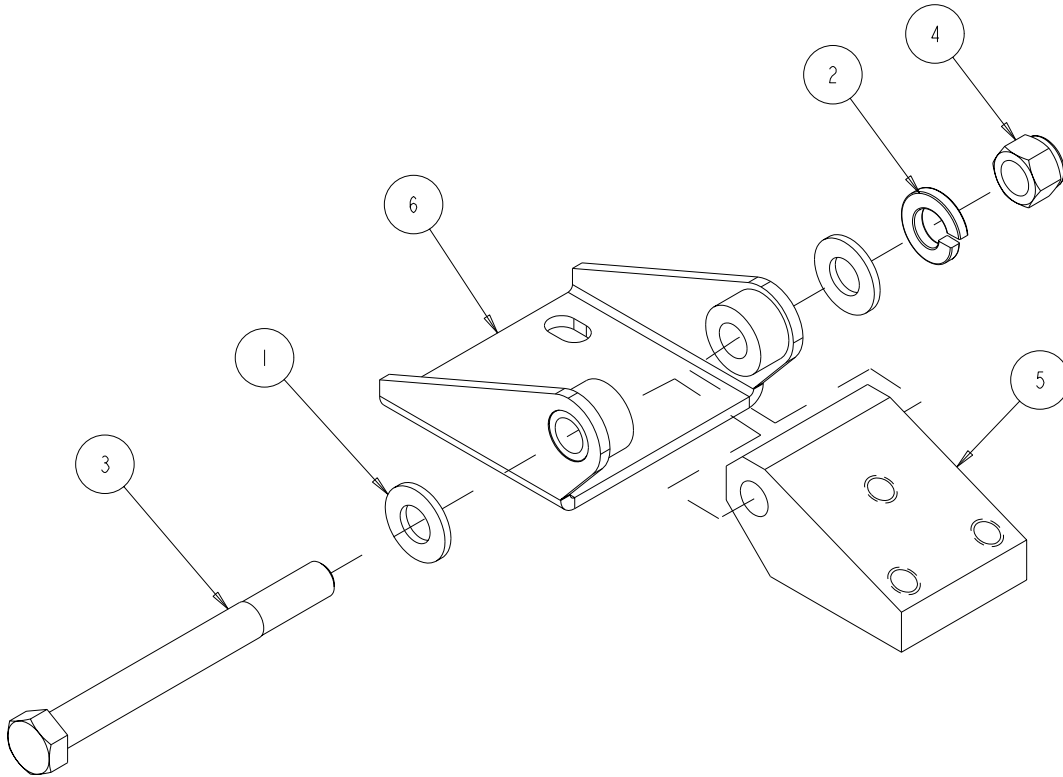
| ITEM NO. | DESCRIPTION                          | PART # | QTY. REQ. |
|----------|--------------------------------------|--------|-----------|
| 1        | NIPPLE, 1/4 NPT X CLOSE, BRASS       | 159905 | 1         |
| 2        | FITTING, 3/4 X 11.5 MNH X 1/4 FNPT   | 163992 | 1         |
| 3        | FITTING, PUSH ON HOSE 1/4 X 1/4 MALE | 165183 | 2         |
| 4        | MANIFOLD, WATER, 2 TUBE              | 167622 | 1         |

**FIGURE 34 - PARTS LIST: ASSY, WATER MANIFOLD, 4T P/N 167625**



| ITEM NO. | DESCRIPTION                          | PART # | QTY. REQ. |
|----------|--------------------------------------|--------|-----------|
| 1        | NIPPLE, 1/4 NPT X CLOSE, BRASS       | 159905 | 1         |
| 2        | FITTING, 3/4 X 11.5 MNH X 1/4 FNPT   | 163992 | 1         |
| 3        | FITTING, PUSH ON HOSE 1/4 X 1/4 MALE | 165183 | 4         |
| 4        | MANIFOLD, WATER, 4 TUBE              | 167623 | 1         |

FIGURE 35 - PARTS LIST: ASSY, HINGE P/N 163979



| ITEM NO. | DESCRIPTION                       | PART # | QTY. REQ. |
|----------|-----------------------------------|--------|-----------|
| 1        | WASHER, 3/8 SAE FLAT              | 150923 | 2         |
| 2        | WASHER, 3/8 SAE LOCK              | 150925 | 1         |
| 3        | SCREW, 38 - 16 X 3-3/4 HEX HD CAP | 152504 | 1         |
| 4        | NUT, 3/8 - 16 X 3 NYLOK HEX       | 152505 | 1         |
| 5        | PLATE, FRONT HINGE                | 163977 | 1         |
| 6        | PLATE, REAR HINGE                 | 163978 | 1         |