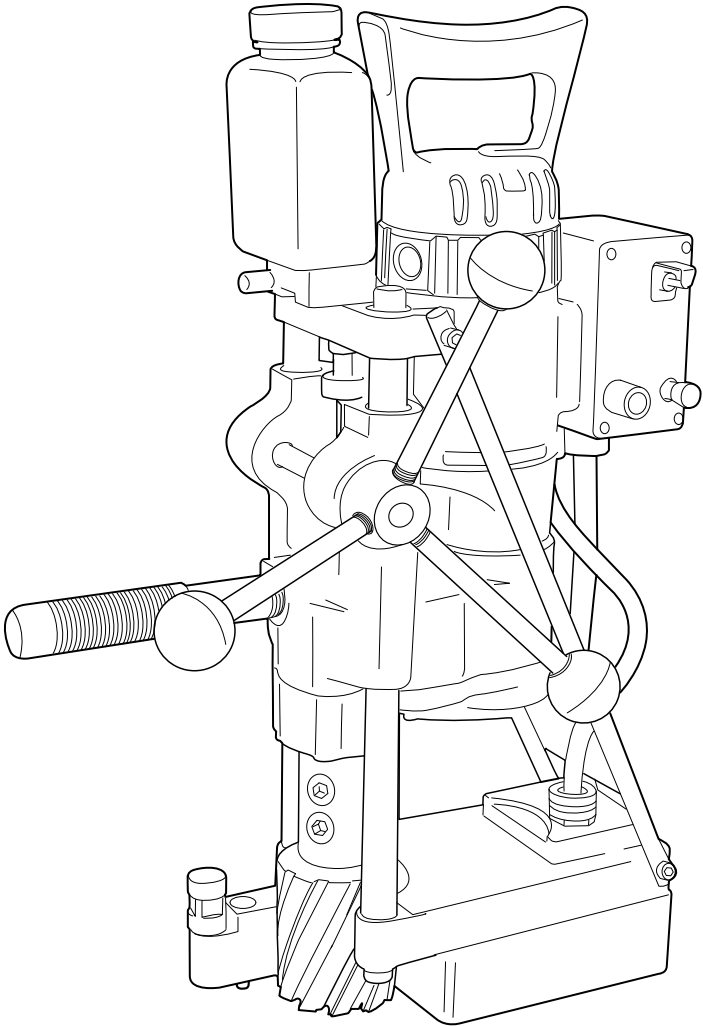




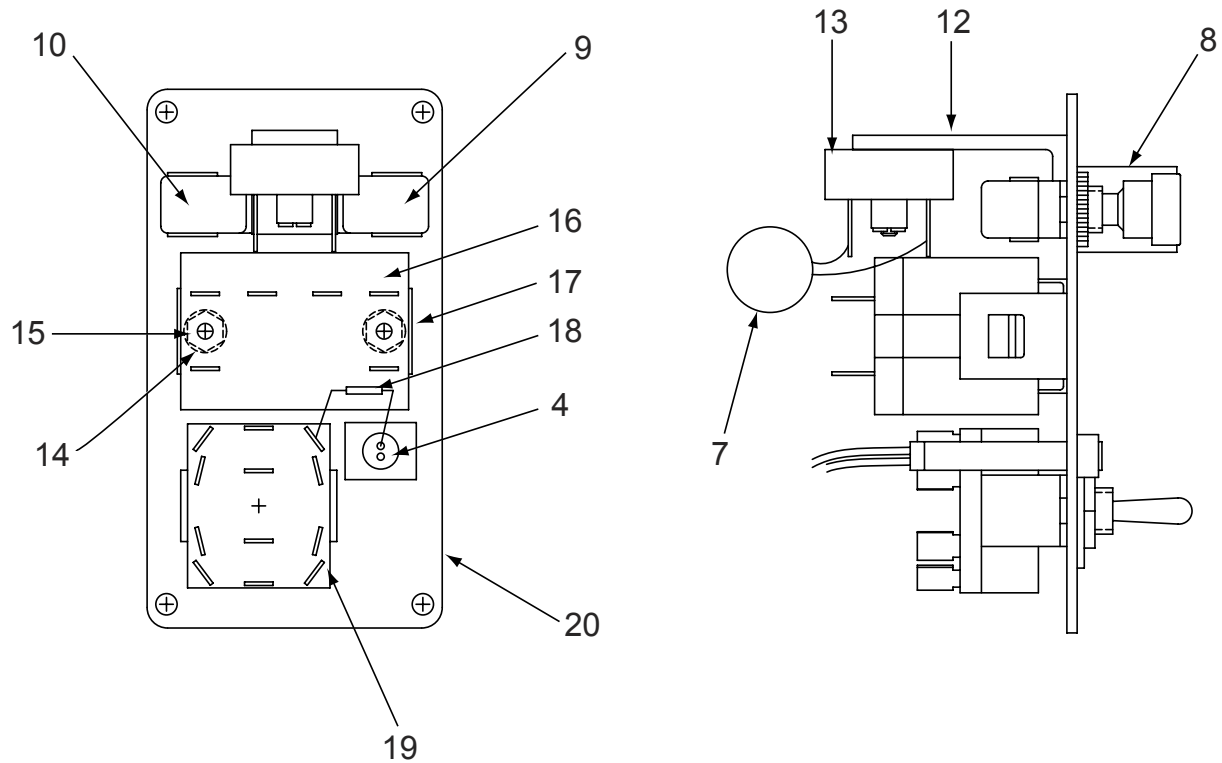
**10915/10916
PORTABLE MAGNETIC DRILL**

OPERATOR'S MANUAL

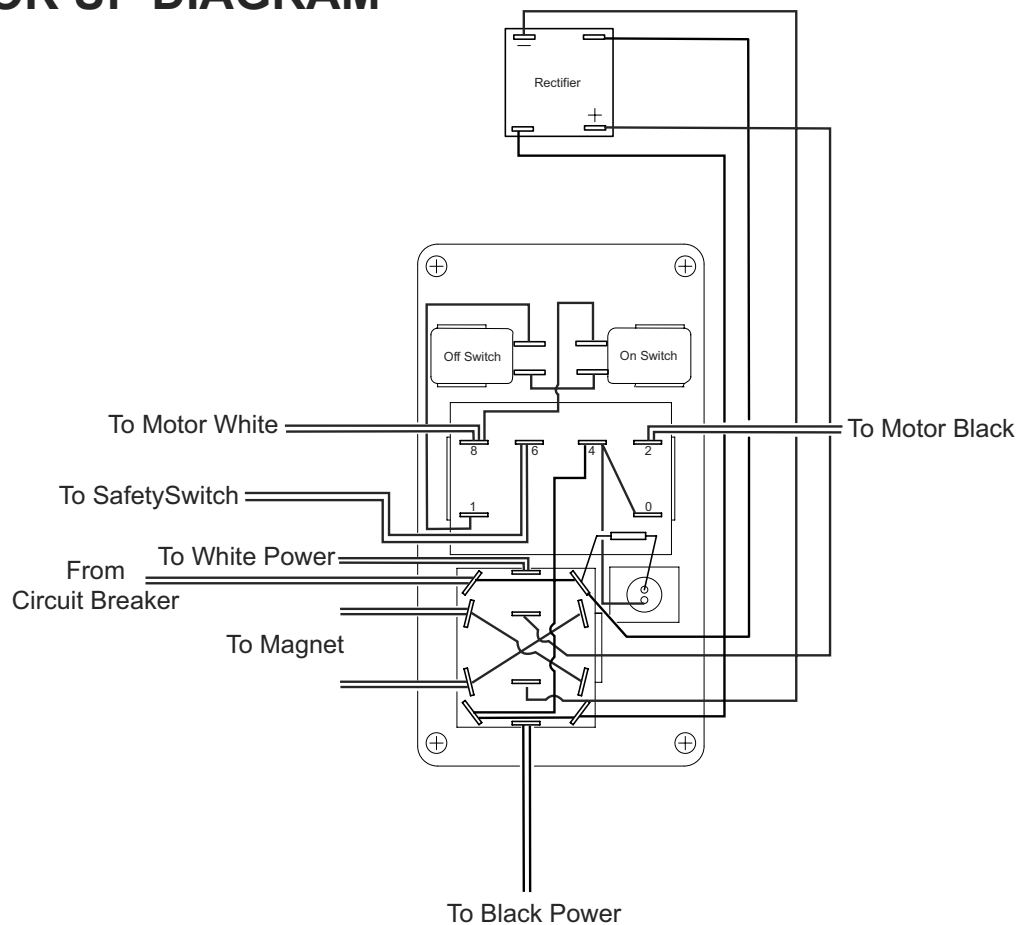


FOR USE WITH "42,000/43,000-SERIES" CUTTERS

10916 PANEL COMPONENTS (10796)



10916 HOOK UP DIAGRAM

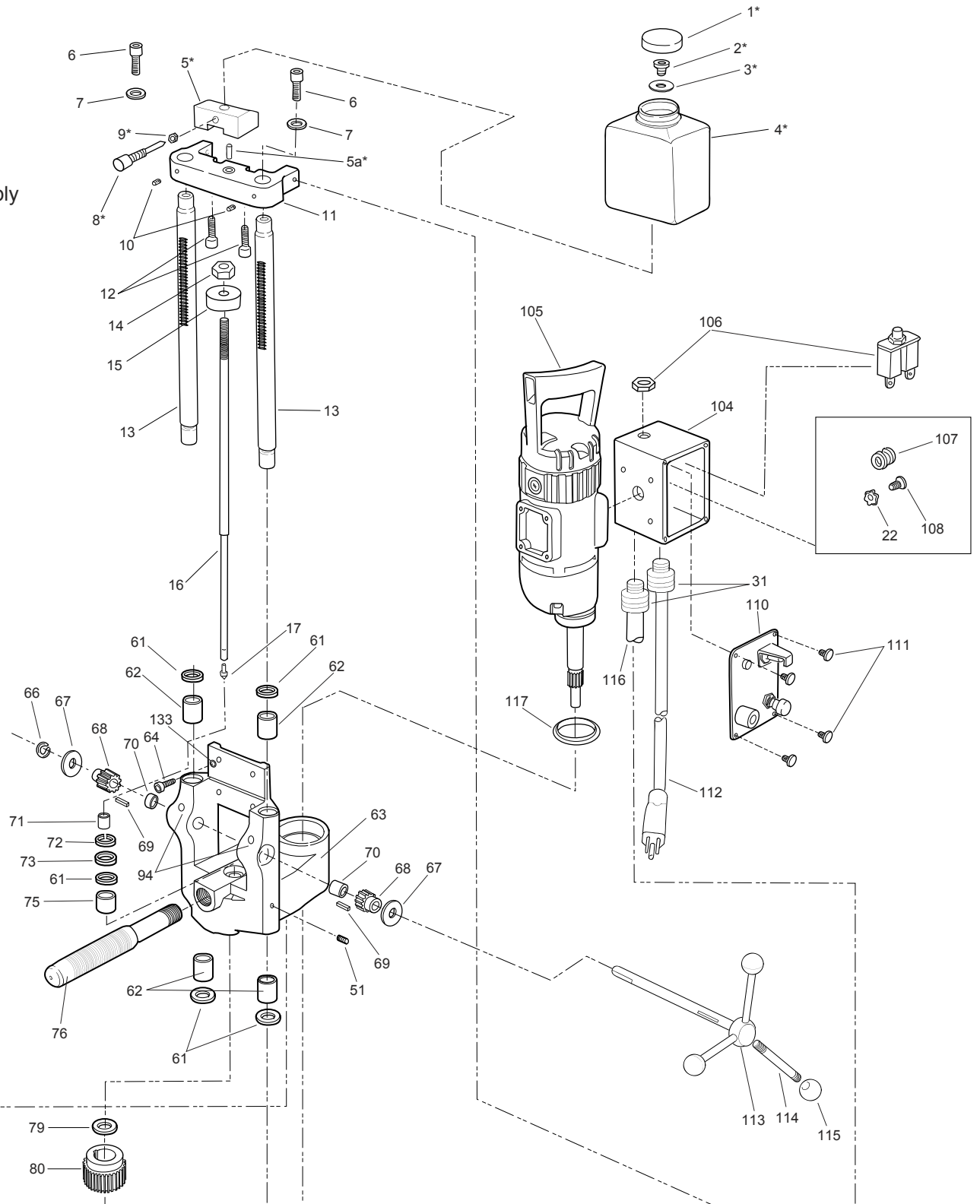


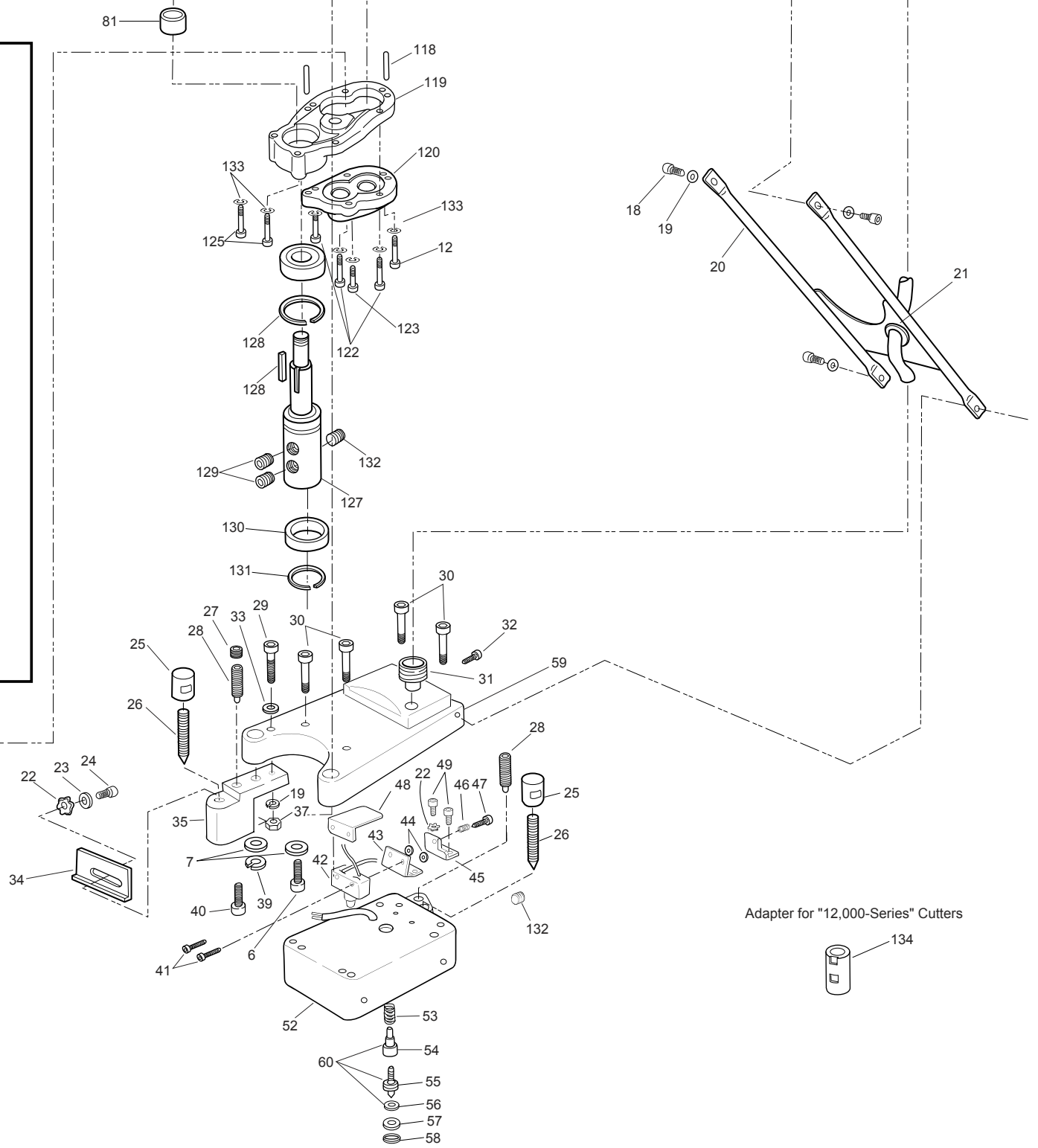
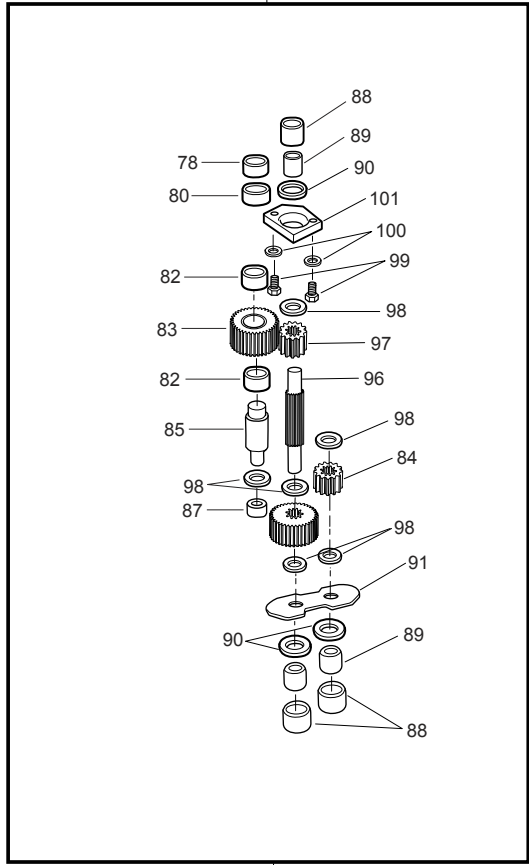
MODELS 10915/10916 PANEL COMPONENTS

No.	Part #	Description	Qty
1	01835	Plastic Knurled Nut	1
2	04380	Faceplate (10915)	1
3	04387	Relay (10915)	1
4	10703	Pilot Light	1
5	10705	Rectifier (10915)	1
6	10715	Toggle Switch Magnet	1
7	10718	Surge Suppressor	1
8	10762	Push Button Switch Guard	1
9	10764	Motor Switch "Off"	1
10	10763	Motor Switch "On"	1
11	10964	Toggle Switch Guard	1
12	02238	Rectifier Bracket	1
13	10758	Rectifier Full Wave	1
14	90052	Lock Washer #6	3
15	40374	Hex Nut #6-32	3
16	02235	Relay - 250v	1
17	02236	Relay Bracket	1
18	10757	Resistor	1
19	01068	Toggle Switch	1
20	02260	Faceplate (10916)	1
21	01205	Relay (10915)	1
22	04381	10915 Panel Assy	1
23	10796	10916 Panel Assy	1

10915/16 Exploded View

* Included in 40126 Assembly





Adapter for "12,000-Series" Cutters

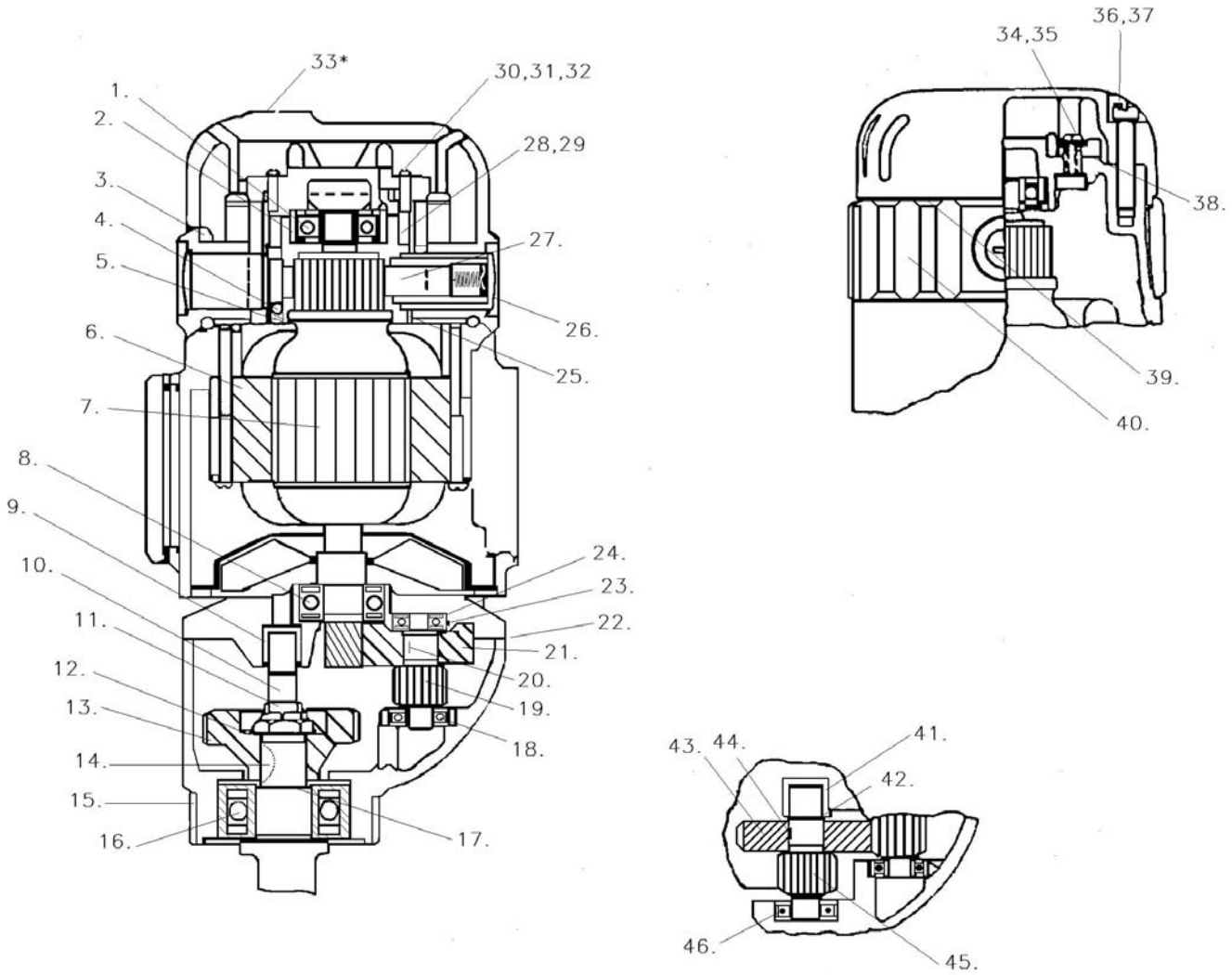
10915/10916 PART NUMBERS

No.	Part #	Description	Qty	No.	Part #	Description	Qty
	40126	Bottle Assembly	1	37	40184	Nut 5/16-18 UNC	1
1	40122	Cap	1	39	40110	Washer Lock 1/2 Hel	4
2	40123	Hold Down Fitting	1	40	40111	SCR-SHC 1/2-13 x 1-1/2	1
3	40058	Washer	1	41	10972	SCR-BHC #6-32	2
4	40121	Bottle	1	42	40130	Microswitch Assy	1
5	40119	Block	1	43	10967	Clip-Microswitch	1
5a	40125	Drip Tube	1	44	10973	Slip-Microswitch Mounting	2
6	40070	SHCS 1/2-13 x 1	3	45	10970	Bracket-SS Adjust	1
7	40069	Washer 1/2	4	46	10968	Spring	1
8	40120	Adjustment Needle	1	47	10969	SCR-SHC #10-32 Altered	1
9	40124	O-Ring	1	48	10983	Shield-Micro Switch	1
10	90071	Screw 1/4-20 x 1/4	2	49	10971	SCR-SHC 1/4-20 x 1/2	1
11	40062	Tie Bar	1	51	90497	SCR-SS 1/4-20 x 3/8 BR	2
12	40108	SHCS 1/4-20 x 1-1/4	3	52	10947	Magnet 203V (10916)	1
13	40067	Feed Rod	2		10948	Magnet 115V (10915)	1
14	40052	Hex Nut 7/16-14	1	53	10618	Spring	1
15	40105	Knurled Nut 7/16	1	54	10993	Plunger Assy	1
16	40113	Ejector Rod	1	55	10638	Bearing Assy	1
17	40114	Ejector Rod Point	1	56	10632	Retaining Ring	4
18	40558	SHCS 5/16-18 x 3/4	4	57	10975	Seal Assy-Safety Switch	1
19	40107	Lock Washer 5/16	4	58	10974	Retaining Ring	1
20	40086	Strut Assy	1	59	40139	Base Plate	1
21	40117	Grommet	1	61	10626	Seal 7/8	5
22	90065	Lock Washer 1/4	5	62	40065	Bushing 7/8	4
23	90027	Flat Washer 1/4	1	63	40001	Main Housing	1
24	10553	SHCS 5/16-18 x 7/8	1	64	40071	SCR-SHC 1/4-28 x 7/8	4
25	40181	Head Impactor	2	66	40044	Retaining Ring	1
26	40182	Point Impactor	2	67	40032	Washer 9/6 x 1-3/8	2
27	40141	SCR-SOC Set 5/8-11 x 1/2	1	68	40116	Gear Spur 16 teeth	2
28	10644	Spring Plunger	2	69	40045	Key	2
29	40183	SCR-SHC 5/16-18 x 2-1/4	1	70	40028	Bushing 9/16	1
30	40143	SCR-SHC 5/16-18 x 1-1/2	4	71	40032	Bushing 7/16	1
31	10592	Strain Relief	3	72	40092	Retaining Ring	1
32	10977	SCR-BHC 1/4-20 x 1/4	1	73	40112	Thrust Washer	2
33	40074	Washer 5/16 Flat	1	75	40090	Bearing 7/8	1
34	40095	Chip Breaker Insert	1	76	40061	Handle Assy	1
35	40134	Chip Breaker Block	1	78	40035	Bushing	1

10915/10916 PART NUMBERS (CONT)

No.	Part #	Description	Qty	No.	Part #	Description	Qty
79	40091	Washer 7/8	1	112	40128	Power Cord 115V	1
80	40026	Gear Spindle 36 Teeth	1		04808	Power Cord 230V	1
81	40118	Spacer - Spindle	1	113	90264	Hub - Feed Shaft Assy	1
82	40033	Bearing 3/4	1	114	10569	Feed Handle	3
83	40021	Gear Idler 32 Teeth	1	115	04532	Feed Handle Knob	3
84	40011	Change Gear 16 Teeth	1	116	40084	Cord	1
	40012	Change Gear 18 Teeth	1	117	40127	O-Ring	1
	40013	Change Gear 20 Teeth	1	118	40076	Dowel Pin 1/4	2
	40014	Change Gear 24 Teeth	1	119	40003	Housing Spindle Bearing	1
	40015	Change Gear 28 Teeth	1	120	40005	Lower Bearing Cap Assy	1
	40016	Change Gear 30 Teeth	1	122	40078	SCR-SHC 1/4-20 x 1-1/2	3
	40017	Change Gear 32 Teeth	1	123	40077	SCR-SHC 1/4-20 x 1	1
85	40018	Idler Shaft	1	125	40129	SCR-SHC 1/4-20 x 2-1/4	2
87	40019	Bushing	1	126	40023	Retaining Ring	1
88	40008	Bearing	3	127	40031	Spindle	1
89	40009	Bearing	3	128	40025	Key 3/16	1
90	40007	Seal 3/4 x 1	3	129	40042	SCR-SS 3/4-10 Alt	2
91	40006	Retaining Ring Lower	1	130	40636	Chip Guard	1
94	10681	Grease Fitting	2	131	40635	Retaining Ring	1
95	40002	Washer Altered	2	132	10621	SCR-SS 1/4-20 x 1/4 BR	1
96	40039	Shaft-Spline	1	133	04721	Washer 1/4 Lock Washer	12
97	40010	Driven Gear 16 Teeth	1	134	40040	Adapter	1
98	40020	Thrust Washer	4				
99	40038	SHCS 10-32 x 5/8	2				
100	10560	Washer #10	2				
101	40037	Upper Retaining Ring	1				
104	40083	Electrical Box 10915	1				
	40651	Electrical Box 10916	1				
105	40082	Motor 10915	1				
	40131	Motor 10916	1				
106	10766	Circuit Breaker 15A - 10915	1				
	10785	Circuit Breaker 8A - 10916	1				
107	10771	Grommet	1				
108	40066	SCR-BHC 1/4-28	3				
110	10796	Panel Assy - 10916	1				
	04381	Panel Assy - 10915	1				
111	10710	SCR- #6-32	2				

MOTOR PARTS



MOTOR PARTS LISTING

Item No.	Part No.	Description	Qty.	Item No.	Part No.	Description	Qty.
1	BD-14201	BALL BEARING	1	22	BD-939467	GASKET	1
2	BD-30612	BEARING PLUG	1	23	BD-30613	BEARING PLUG	1
3	BD-31675	SET SCREW	2	24	BD-20774-01	BALL BEARING	1
4	BD-475	3/16" BALL	1	25	BD-24323	INSULATING SHIELD	2
5	BD-38769	DETENT PIN SPRING	1	26	BD-33880-01	BRUSH HOLDER CAP	2
	40140	LOCK PIN	1	27	10583	BRUSH (PAIR)	1
6	BD-285841-00*	FIELD (10915)	1	28	BD-38226	BRUSH LEAD	2
6	BD-450070-00	FIELD (10916)	1	29	BD-9293	BRUSH LEAD TERM.	2
7	BD-285841-00*	ARMATURE (10915)	1	30	BD-38225	CONTACT BLOCK ASSY.	1
7	BD-38206-01	FAN (10916)	1	31	BD-4006-01	RIVET	2
7	BD-450063-42	ARMATURE (10916)	1	32	BD-38224	CONTACT BLOCK ASSY.	2
8	BD-330003-12	BALL BEARING	1	33	BD-449900	COVER	1
9	BD-21635	NEEDLE BEARING	1		BD-54914-01	SPADE HANDLE	1
10	40000	OUTPUT SHAFT	1	34	BD-4145-01	LOCK WASHER	2
11	BD-70920	LOCK NUT	1	35	BD-37955	SCREW	2
12	BD-45051	CONE LOCK WASHER	1	36	BD-9842	SCREW	2
13	BD-55196	SPINDLE GEAR	1	37	BD-416	LOCK WASHER	6
14	BD-13851	SPINDLE GEAR KEY	1	38	BD-37914	INSULATING SPACER	2
15	BD-38219	BEARING CAP	1	39	BD-445694	ANTI-FRICTION RING	1
16	BD-944821	BALL BEARING	1	40	BD-38201	REV. SWITCH RING	1
17	BD-944822	SPACER	1	41	BD-38221	NEEDLE BEARING	1
18	BD-30090	BALL BEARING	1	42	BD-38218	THRUST WASHER	1
19	BD-38278	1ST INTER. PINION	1	43	BD-55401	GEAR & PINION ASSY.	1
20	BD-6952	1ST INTER. GEAR KEY	1	44	BD-6952	2ND INTER. GEAR KEY	1
21	BD-38210	1ST INTER. GEAR	1	45	BD-8068	BALL BEARING	1

* BD-285841-00 replaces older Armature & Field assemblies.
This kit includes armature, field, baffle and fan

"42,000 / 43,000-SERIES" HOUGEN CUTTERS

"42,000-SERIES" - M2 HSS			
"22,000-SERIES" - M2 HSS TIN COATED			
Cutter Diameter (Inches)	Decimal Equivalent	Part Number	
		M2	M2 TiN Coated
3/4" Weldon Shank - 2" D.O.C.			
3/4	.7500	42024	22024
13/16	.8125	42026	22026
7/8	.8750	42028	22028
15/16	.9375	42030	22030
1	1.0000	42032	22032
1-1/16	1.0625	42034	22034
1-1/8	1.1250	42036	22036
1-3/16	1.1875	42038	22038
1-1/4	1.2500	42040	22040
1-5/16	1.3125	42042	22042
1-3/8	1.3750	42044	22044
1-7/16	1.4375	42046	22046
1-1/4" Weldon Shank - 2" D.O.C.			
1-1/2	1.5000	42048	22048
1-9/16	1.5625	42050	22050
1-5/8	1.6250	42052	22052
1-11/16	1.6875	42054	22054
1-3/4	1.7500	42056	22056
1-13/16	1.8125	42058	22058
1-7/8	1.8750	42060	22060
1-15/16	1.9375	42062	22062
2	2.0000	42064	22064
1-1/4" Weldon Shank - 3" D.O.C.			
2-1/16	2.0625	43066	23066
2-1/8	2.1250	43068	23068
2-3/16	2.1875	43070	23070
2-1/4	2.2500	43072	23072
2-5/16	2.3125	43074	23074
2-3/8	2.3750	43076	23076
2-7/16	2.4375	43078	23078
2-1/2	2.5000	43080	23080
2-9/16	2.5625	43082	23082
2-5/8	2.6250	43084	23084
2-11/16	2.6875	43086	23086
2-3/4	2.7500	43088	23088
2-13/16	2.8125	43090	23090
2-7/8	2.8750	43092	23092
2-15/16	2.9375	43094	23094
3	3.0000	43096	23096
3-1/16	3.0625	43098	23098