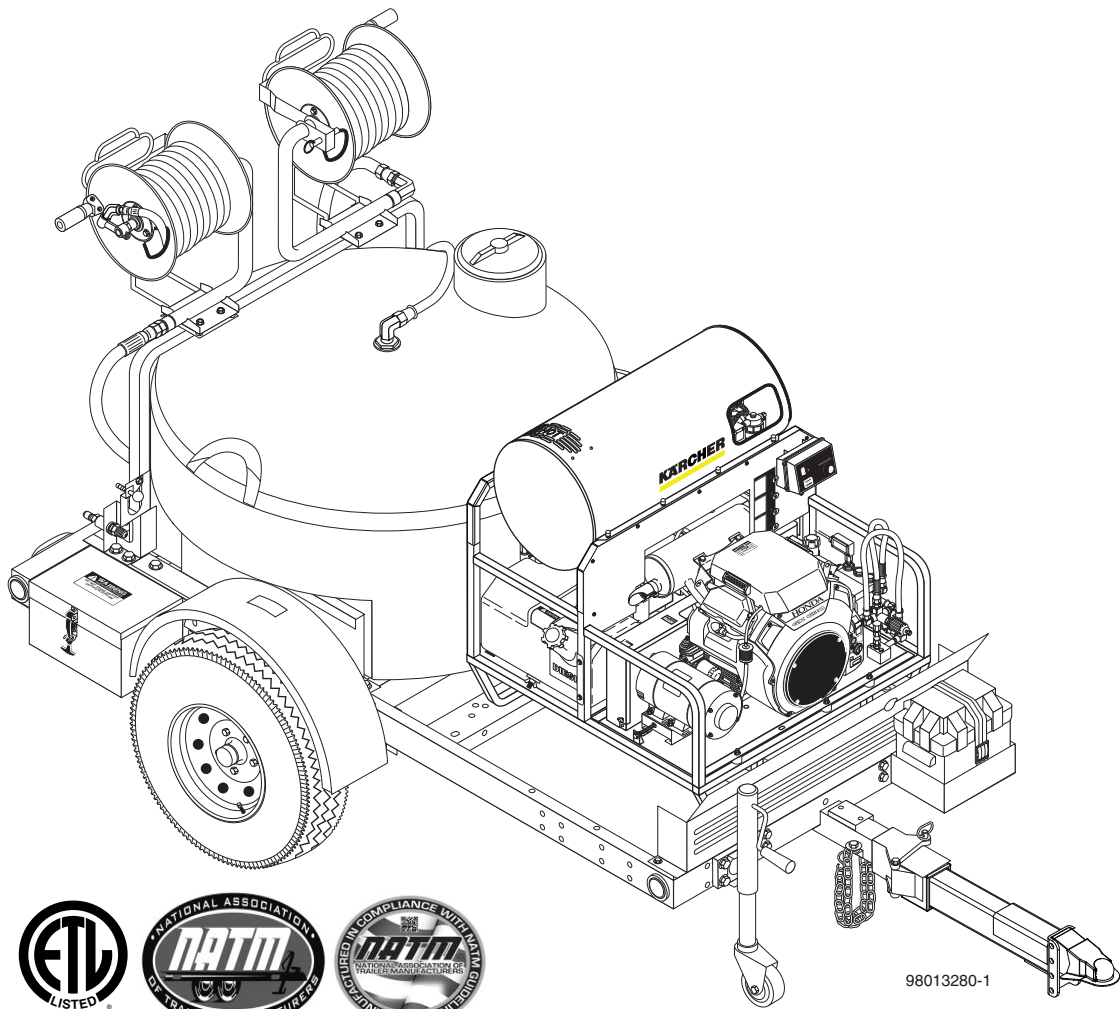




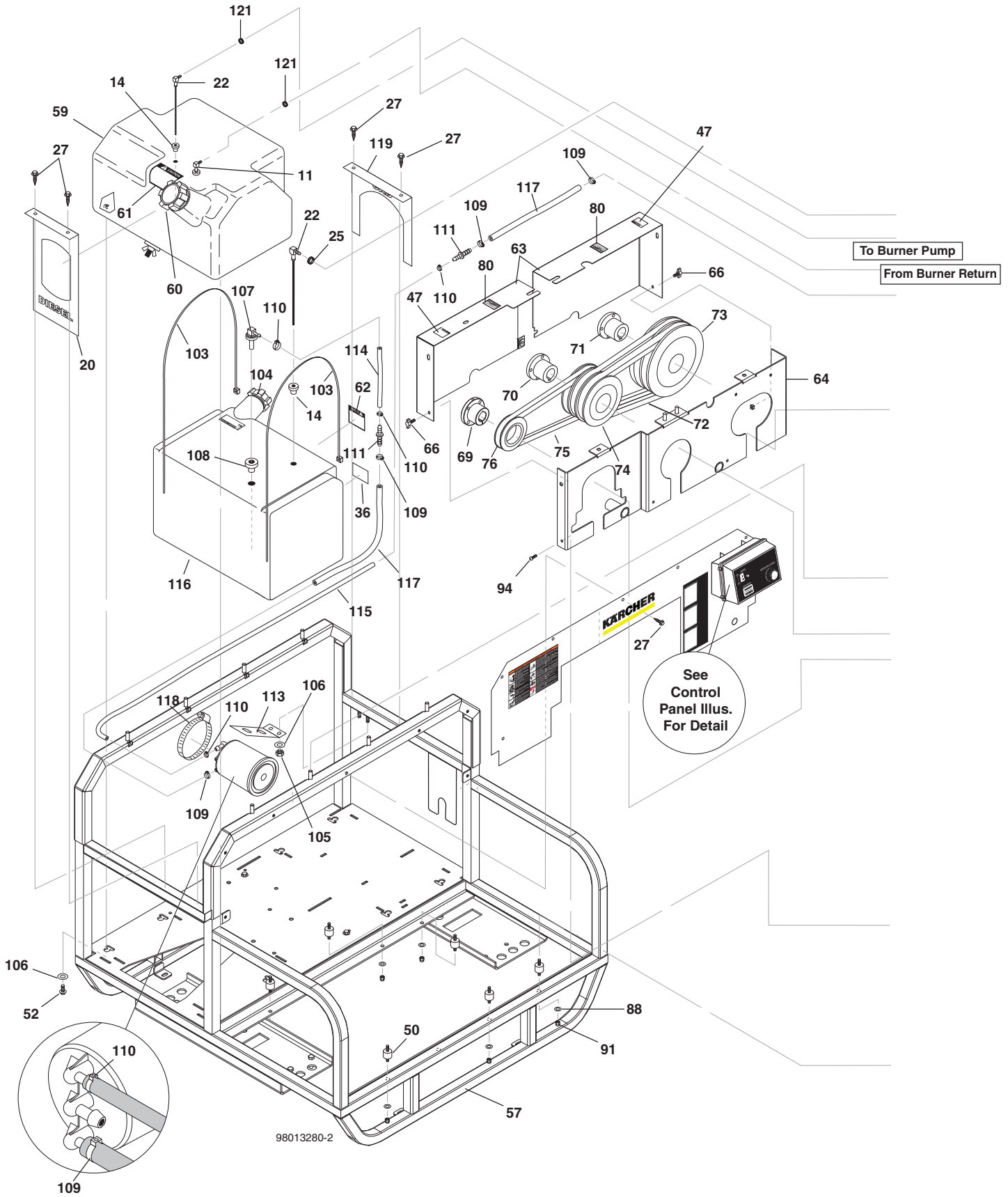
TRS-SSG-503537 E/G SERVICE MANUAL

ORDER # 1.103-828.0, 1.103-840.0

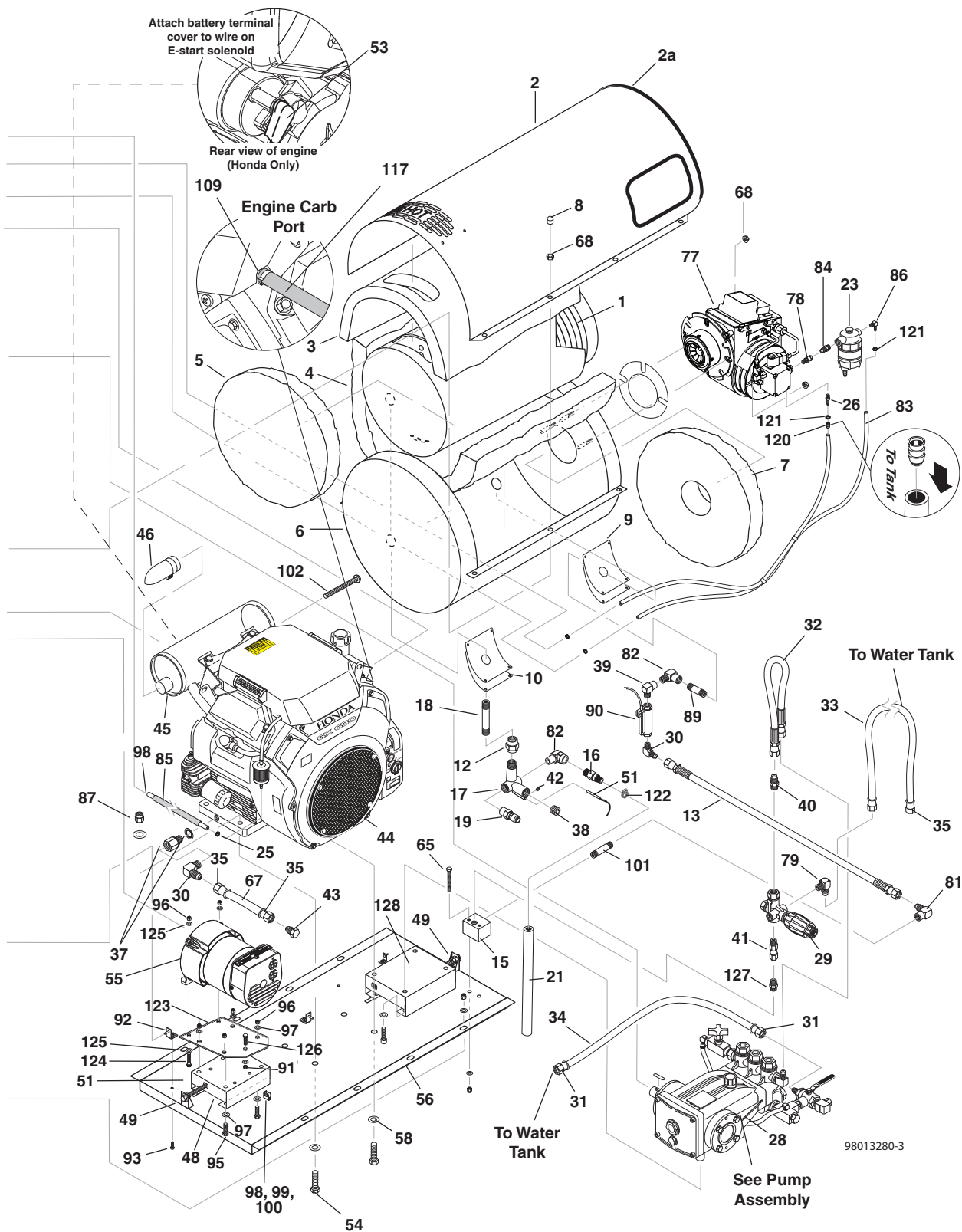


98013280-1

EXPLODED VIEW



EXPLODED VIEW



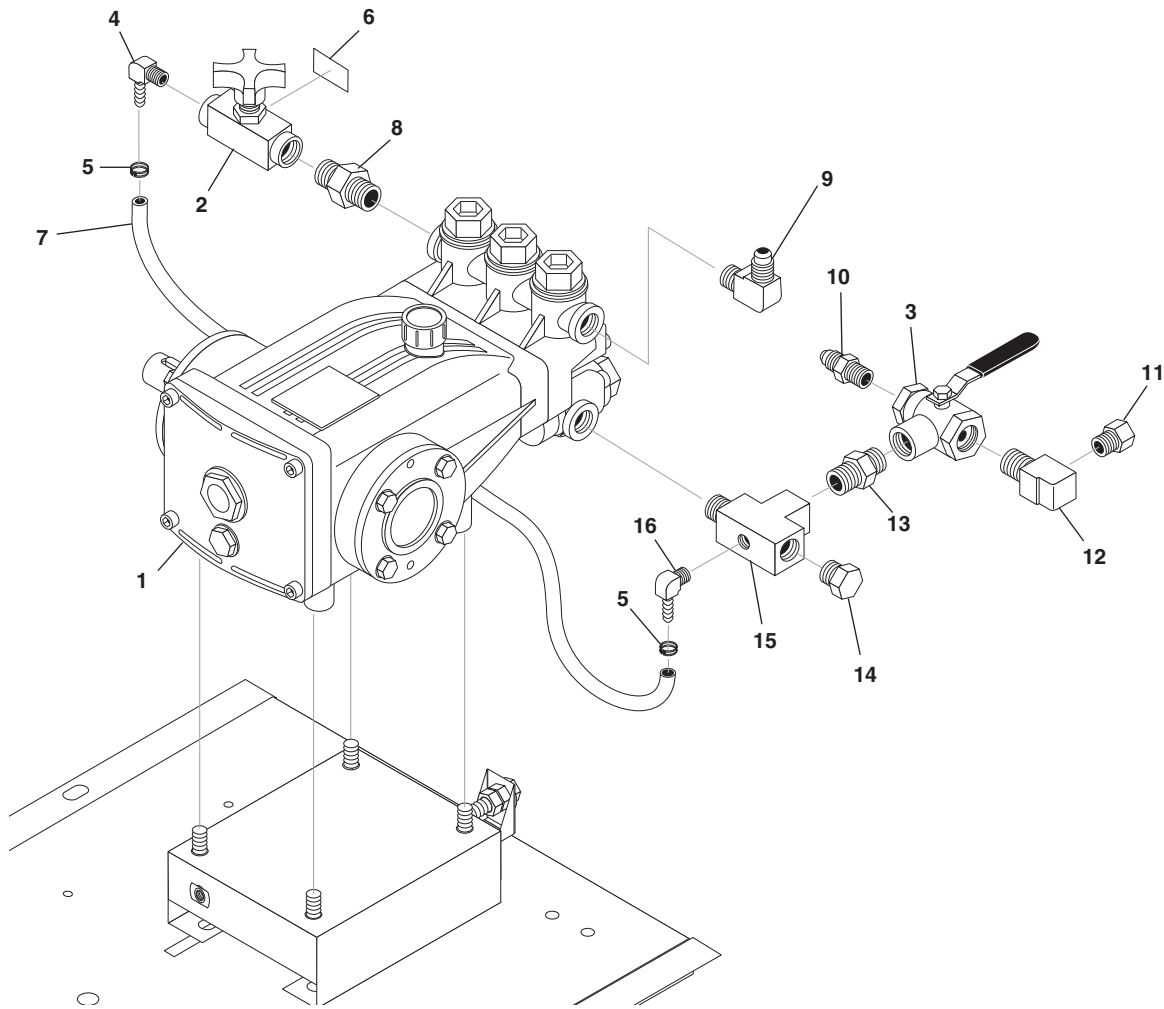
EXPLODED VIEW PARTS LIST

ITEM	PART NO.	DESCRIPTION	QTY	ITEM	PART NO.	DESCRIPTION	QTY
1	9.803-014.0	Coil, Rodless	1	35	9.802-151.0	Swivel, 1/2" JIC, Push-On	4
2	9.803-005.0	Top Wrap, SS	1	36	9.800-008.0	Label, Cool Engine	1
2a	9.802-071.0	Trim	6 ft.	37	8.750-737.0	Adapter, Honda, M20-1.5 x 3/8 " FPT	1
3	9.802-902.0	Insulation/Blanket, Die Cut 28" x 24"	1	38	8.706-248.0	Plug, 3/8"	1
4	9.802-896.0	Insulation/Blanket, No Foil, 24" x 57"	1	39	8.706-207.0	Elbow, Street, 3/8"	1
5	9.802-883.0	Insulation, Burner Head, No Hole	1	40	9.802-036.0	Nipple, 1/2" JIC x 3/8" MPT Steel	1
6	9.803-006.0	Weldment, Bottom Wrap, SS	1	41	9.802-048.0	Swivel, 1/2" JIC Female, 3/8" Male	1
	9.802-727.0	▲ Bolt, 3/8" - 16 x 1-3/4"	2	42	9.916-012.0	Screw, 10-24 x 1/4"	1
7	9.802-894.0	Insulation, Burner Head, w/Hole	1	43	9.802-126.0	Plug, 1/2" Flare	1
8	8.750-435.0	Cap, Black Vinyl .364 X 1/2	8	44	Engine, See Specification Pages 9.802-673.0	▲ Key, Shaft	1
9	8.933-009.0	Gasket, Burner Plate	2	45	8.750-467.0	Muffler, Honda, GX630/ GX660, Right	1
10	9.803-132.0	Plate, Insulation Retainer	2		8.739-597.0	▲ Bolt, Flange, M8 x 20	2
	9.802-797.0	▲ Screw, SS #10, HH Tek	8	46	8.915-387.0	Deflector, Exhaust 1-3/8"	1
11	9.802-054.0	Elbow, Zinc	1		9.802-798.0	▲ Screw, #10 - 1/2" Tek, HH, SS,	1
12	8.706-140.0	Coupling, 1/2"	1	47	9.800-007.0	Label, Warning, Exposed Pulleys	2
13	8.918-428.0	Hose 3/8" x 48", 2 Wire Pressure	1	48	9.803-004.0	Pump/Rail Generator	1
14	9.802-053.0	Bushing, Rubber	3		9.802-720.0	▲ Bolt, 3/8" x 1", NC HH	3
15	9.802-869.0	Block, Unloader, 1/2" x 1/2", Brass	1		9.802-099.0	▲ Washer, Snubbing	3
16	8.707-381.0	Rupture Disc Assy, 8500#	1		9.802-779.0	▲ Nut, 3/8" ESNA, NC	3
17	9.149-003.0	Discharge Manifold	1	49	9.803-009.0	Bracket, Belt Tension	2
18	9.802-014.0	Nipple, Pipe 1/2" x 3" Sch 80	1		9.802-776.0	▲ Nut, 5/16", ESNA, NC	4
19	9.802-171.0	Nipple, 3/8" x 3/8" NPT, Male	1		9.802-710.0	▲ Bolt, 5/16", NC	4
20	8.922-541.0	Plate, Diesel Tank, Carb	1		9.802-804.0	Washer, 5/16", Flat	4
21	9.802-260.0	Hose, 5/8" Push-On	2 ft	50	9.802-060.0	Mount, Rubber	6
22	9.803-531.0	Diptube, Plastic, 10.00" Long	2	51	8.750-099.0	Thermostat 302°F	1
23	8.725-306.0	Filter, Fuel Oil/H ₂ O Separator	1	52	9.802-754.0	Screw, 1/4"-20 x 1/2" HH,WL	8
25	6.390-126.0	Clamp, Hose	3	53	9.804-615.0	Cover, Battery Terminal, Red (Honda)	1
26	8.706-941.0	Hose Barb, 1/4" Barb x 1/4" Pipe	1	54	9.802-728.0	Bolt, 3/8" x 2" NC HH	4
27	8.750-246.0	Screw, 1/4" X 1/2" Nc, Whiz Loc Blk Cad	7	55	8.757-639.0	Generator, TB2400	1
28	Pump, See Specification Pages				8.752-150.0	▲ Cord, Molded	1
29	8.750-299.0	Unloader VRT3, 8 GPM @ 4500 PSI	1	56	9.802-999.0	Weldment, Sub-Frame	1
30	9.802-039.0	Elbow, 1/2" JIC x 3/8" NPT Steel	2	57	8.928-242.0	Assy, Frame, Super Skid (1.103-828.0 ONLY)	1
31	9.802-152.0	Swivel, 3/4" Push-On	2		8.928-306.0	Assy, Frame, Super Skid (1.103-840.0 ONLY)	1
32	8.918-421.0	Hose, Pressure, 3/8" x 16"	1	58	9.802-807.0	Washer, 3/8", SAE, Flat	8
33	9.802-259.0	Hose, 1/2" Push-On	6 ft.	59	8.706-615.0	Fuel Tank, 8 Gallon	1
34	9.802-261.0	Hose, 3/4" Push-On	4 ft.	60	9.802-089.0	Cap, Fuel, Plastic	1
				61	9.800-002.0	Label, Caution, Diesel	1
ITEM	PART NO.	DESCRIPTION	QTY	ITEM	PART NO.	DESCRIPTION	QTY
				62	9.800-001.0	Label, Caution, Unleaded	1

EXPLODED VIEW PARTS LIST

63	8.925-564.0	Belt Guard Pump Mild Steel SSG/HDS	1	99	9.802-753.0	Screw, 1/4" x 3/4" Whiz Loc	1
	8.925-567.0	Belt Guard Assembly Gen SSG/HDS	1	100	9.802-775.0	Nut, 1/4" Flange	1
64	8.925-563.0	Belt Guard Plate Assembly Mild Steel HDS	1	101	9.802-015.0	Nipple, 1/2" x 4", SCH 80 Zinc	1
65	9.802-730.0	Bolt, 3/8" x 2-1/2" Zinc	2	102	8.718-781.0	Screw, Pan Head	1
66	8.750-246.0	Screw, 1/4" x 1/2" Whiz Loc	4	103	9.802-512.0	Cable Tie, 48"	2
67	9.802-259.0	Hose, 1/2" Push-On	12"	104	8.751-057.0	Gas Cap, w/Gauge & Tether	1
68	9.802-781.0	Nut, 3/8", Flange Whiz Loc	11	105	9.802-773.0	Nut 14-20 ESNA, NC	2
69	8.715-633.0	Bushing, H X 7/8	1	106	9.802-802.0	Washer, 1/4" Flat, SAE Zinc	6
70	Engine Bushing, See Specification Pages			107	8.751-059.0	Vent, Remote Assembly, Carb	1
71	9.802-403.0	Bushing, Pump, H x 25 mm	1	108	8.751-215.0	Grommet Remote Vent, Kelch	1
72	Belt, See Specification Pages			109	8.753-065.0	Clamp, 1 Ear, #10	4
73	Pulley, See Specification Pages			110	8.753-066.0	Clamp, 1 Ear, #7	4
74	Pulley, See Specification Pages			111	8.753-270.0	Reducer, Connector 1/4" x 3/8"	2
75	Belt, See Specification Pages			112	8.751-380.0	Carbon Canister, 850cc	1
76	Pulley, See Specification Pages			113	8.922-633.0	Brkt, 850cc Canister Mount Wrinkle Black	1
77	Burner Assembly, See Burner Specification Page			114	9.802-254.0	Hose, 1/4" Push-On	6"
	9.802-424.0	▲ Cord, SEO, 16/4	3.66 ft.	115	9.802-254.0	Hose, 1/4" Push-On	50"
	9.802-519.0	▲ Strain Relief, 1/2"	1	116	8.752-915.0	Fuel Tank, 7.25 Gallon	1
78	8.752-113.0	Adapter, 1/4"	1	117	8.711-785.0	Hose, 3/8" Push-On	9"
79	9.802-129.0	Elbow, 1/2" MSAE X 3/8" MPT, Brass	1	118	8.752-918.0	Clamp, Hose, #64	1
80	9.800-006.0	Label, HOT	2	119	8.922-540.0	Plate, Gas Tank, Carb	1
81	9.802-043.0	Elbow, 1/2" FNPT x 1/2" MJIC, 90°	1	120	8.754-911.0	Check Valve, 1 Way, 1/4" Barb	1
82	9.802-024.0	Elbow, 1/2" FPT x 3/8" MPT	2	121	8.709-069.0	Clamp, Screw, 5/16" W , 1/4"-5/8" D, SS	4
83	9.802-254.0	Fuel Line, 1/4" 60"	2	122	9.802-201.0	Clamp, Screw, 9/16"W, 7/8"OD, SS	1
84	8.752-114.0	Nipple, 1/4"	1	123	8.925-529.0	Adapter Plate Tb2400 Mild Steel PGHW	1
85	9.802-587.0	Insulation, 1/2" Fiber Sleeving	30"	124	9.802-713.0	Bolt, 5/16" X 1-1/2", NC HH(612975)	2
86	8.706-958.0	Hose Barb, 90°, 1/4" Barb x 1/4" Pipe	2	125	8.718-980.0	Washer, 5/16" Flat, SAE (780452)	5
87	9.802-779.0	Nut, 3/8" ESNA, NC	2	126	9.802-710.0	Screw 5/16" X 1" NC	1
88	9.802-804.0	Washer, 5/16", Flat, SAE	12	127	9.802-038.0	Nipple, 1/2" JIC x 1/2" MPT	1
89	9.802-013.0	Nipple, 1/2" x 2-1/2", Galvanized SCH 80 Pipe	2	128	9.803-013.0	Pump Rail	1
90	8.933-006.0	Switch, MV60	1		9.802-720.0	▲ Bolt, 3/8" x 1", NC HH	
91	9.802-776.0	Nut, 5/16", ESNA, NC	12		9.802-099.0	▲ Washer, Snubbing	3
92	8.925-562.0	Bracket Assembly Mount SSG/HDS	4		9.802-814.0	▲ Washer, 3/8", Lock	3
93	9.802-753.0	Screw, 1/4" x 3/4"	4		9.802-779.0	▲ Nut, 3/8" ESNA, NC	3
94	9.802-754.0	Screw, 1/4" x 1/2"	4	▲ Not Shown			
95	9.802-720.0	Bolt, 3/8" x 1 NC HH	4				
96	9.802-779.0	Nut, 3/8"	10				
97	9.802-807.0	Washer, 3/8"	14				
ITEM	PART NO.	DESCRIPTION	QTY				
98	9.802-254.0	Hose, 1/4" Push-On	30"				

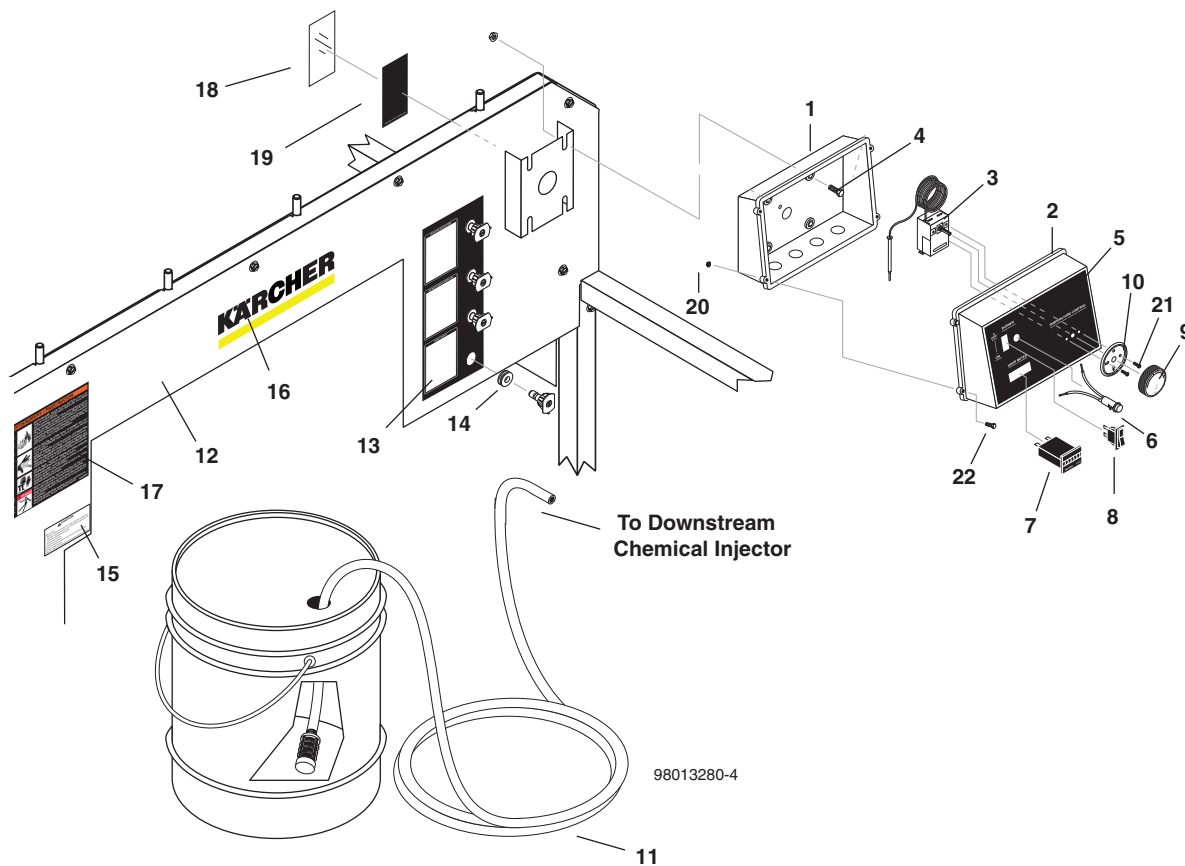
PUMP ASSEMBLY EXPLODED VIEW



PUMP ASSEMBLY PARTS LIST

ITEM	PART #	DESCRIPTION	QTY	ITEM	PART #	DESCRIPTION	QTY
1	8.921-716.0	Pump Kärcher KT6036-R.26.0@3600,1450RPM	1	10	8.706-902.0	Nipple, 3/4" JIC x 1/2" NPT 90°	1
2	9.802-187.0	Valve, Metering	1	11	9.902-146.0	Swivel, Garden Hose	1
3	8.707-212.0	Valve, 3-Way	1	12	8.706-829.0	Elbow, 1/2" Street	1
4	8.706-958.0	Hose Barb, 1/4" x 1/4" 90°	1	13	8.705-975.0	Nipple, 1/2" Hex	1
5	6.390-126.0	Clamp	2	14	8.706-868.0	Plug, 1/2"	1
6	8.932-974.0	Label, Open for Steam	1	15	9.802-123.0	Tee, 1/2" w/1/8" Tap	1
7	9.802-254.0	Hose, 1/4" Push-On	1	16	8.706-955.0	Hose Barb, 1/4" Barb x 1/8" NPT 90°	1
8	8.706-120.0	Nipple, 3/8" x 1/4" MPT	1				
9	9.802-039.0	Elbow, 1/2" JIC x 3/8" NPT 90°	1				

CONTROL PANEL EXPLODED VIEW



CONTROL PANEL PARTS LIST

ITEM	PART NO.	DESCRIPTION	QTY	ITEM	PART NO.	DESCRIPTION	QTY
1	9.803-693.0	Box, Plastic, Back	1	13	9.800-042.0	Decal, Operating Instructions (1.103-828.0 only)	1
2	9.802-482.0	Box, Plastic, Front, Fabricated	1		9.801-648.0	Decal, Operating Instructions (1.103-840.0 only)	1
3	8.750-094.0	Thermostat, 302°F	1	14	9.802-064.0	Grommet, Rubber, Nozzle Holder	4
	9.804-072.0	▲ Wire , Cover	42"	15	9.800-049.0	Label, Manufacturer's Cleaning Solution	1
4	9.802-700.0	Bolt, 1/4" x 3/4" HH NC	4	16	8.932-985.0	Label, Karcher, Stripe, 17" x 3.875"	1
	9.802-775.0	Nut, 1/4" Flange Zinc	4	17	8.923-560.0	Label, Warning, Super Skid	1
5	9.800-043.0	Decal, 120V Electrical Box	1	18	9.800-034.0	Lexan, Cover, Outdoor	1
6	9.802-455.0	120V Indicator Light, Green	1	19	8.932-968.0	Label, Outdoor	1
7	9.802-283.0	Hour Meter	1	20	9.803-250.0	Nut, (Electrical Box)	4
8	9.802-453.0	Switch, Curvette	1	21	8.718-779.0	Screw, 4mm x 6mm	2
9	8.750-096.0	Knob, Thermostat 302°F	1	22	9.803-249.0	Screw, M4 x 10	4
10	8.712-190.0	Bezel, Thermostat	1	23	8.756-409.0	CONNECTOR, LEVER NUT, 2-WIRES	1
11	9.802-251.0	Hose, 1/4" x 1/2" Clear Vinyl - (Option)	6 ft.	24	8.756-410.0	CONNECTOR, LEVER NUT, 3-WIRES	3
12	8.928-241.0	Assy, Frame, Super Skid (1.103-828.0 ONLY)	1	Please See Hose & Spray Gun Assembly Page			
	8.928-301.0	Assy, Frame, Super Skid (1.103-840.0 ONLY)	1	▲ Not Shown			
	9.802-762.0	▲ Screw, Ground Post 10/32" x 1-1/4"	1				
	8.706-735.0	▲ Bushing, 1" Snap	1				

TRS-3500-SSG TRAILER EXPLODED VIEW PARTS LIST

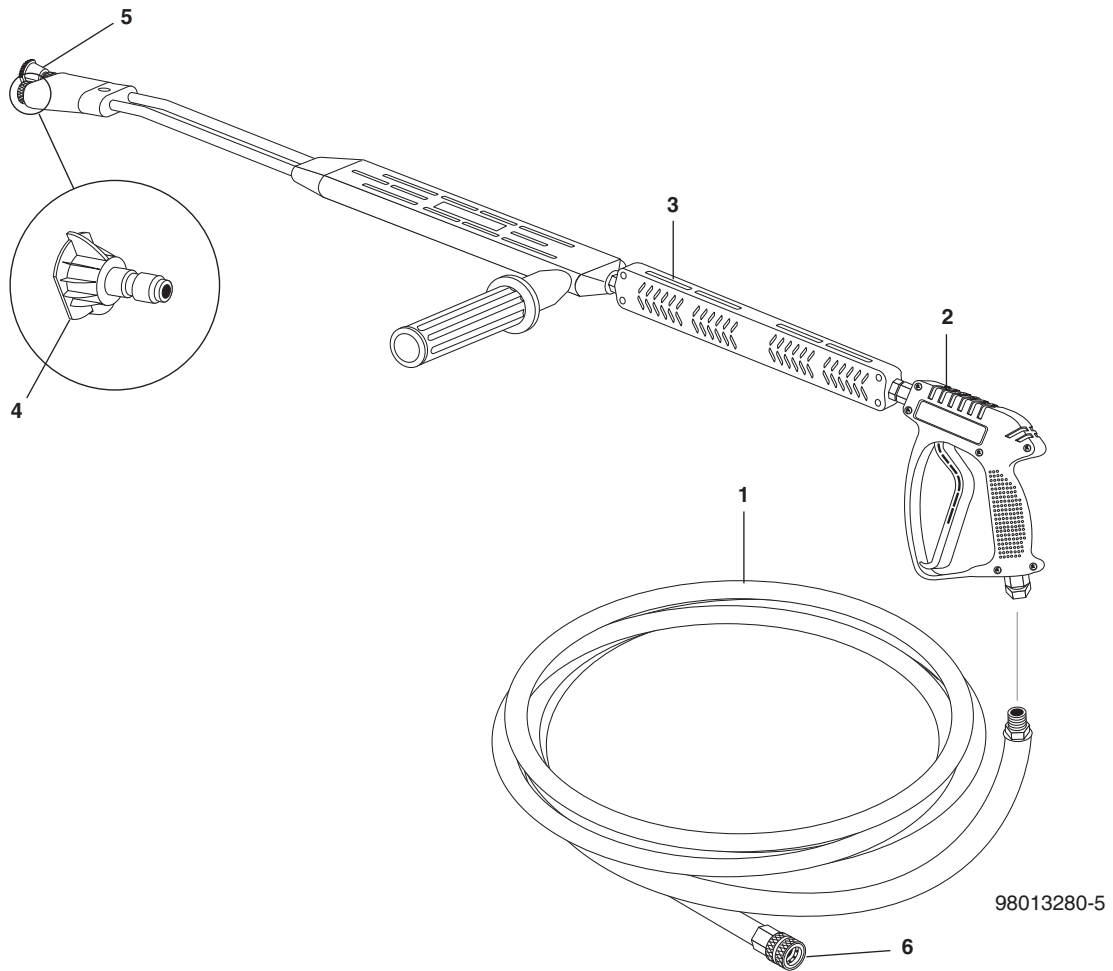
ITEM	PART #	DESCRIPTION	QTY	ITEM	PART #	DESCRIPTION	QTY
1	8.917-302.0	Wlmt, Frame, Trailer, 3000# (1.103-828.0 only)	1	21	9.802-132.0	Elbow, 3/4" JIC x 1/2", 90°	1
	8.922-385.0	Wlmt, Frame, Trailer, 3000# (1.103-840.0 only)	1	22	8.707-498.0	Hook, "S", 5/16" Zinc Plated	2
2	8.924-294.0	Wlmt, Tongue, Adjust Height WR BLK (1.103-828.0 only)	1	23	8.707-526.0	Strainer, 1" T Line, Trailers	1
	8.922-625.0	Wlmt, Tongue, Adjust Height (1.103-840.0 only)	1	24	9.802-798.0	Screw, #10 x 1/2" Tek, HH	2
3	8.917-304.0	Fender, w/Back, 15", Painted (1.103-828.0 only)	2	25	8.932-985.0	Label, Karcher, Stripe, 17" x 3.875"	2
	8.922-387.0	Fender, w/Back, 15", Painted (1.103-840.0 only)	2			9.801-656.0	Label, Logo & 800 Number (1.103-840.0 only)
4	8.917-305.0	Wlmt, Hoop, Hose Reel (1.103-828.0 only)	1	26	9.802-052.0	Bulkhead, 3/4" Polypro	3
	8.922-388.0	Wlmt, Hoop, Hose Reel (1.103-840.0 only)	1	27	9.802-146.0	Swivel, 1/2" MP x 3/4" GHF w/Strainer	1
5	8.725-543.0	Rod, Tie-down, Tank	1	28	9.802-152.0	Swivel, 3/4" Fem, Push-on	4
6	9.122-002.0	Hose Reel, 100' Fixed Base	2	29	9.802-261.0	Hose 3/4", Push-on	24"
7A	8.753-801.0	Coupler, 2" Ball 7000LB (1.103-840.0 only)	1	30	9.802-696.0	Nut, 10/32" NF ST KEP	4
7B	8.755-000.0	Coupler, 2" Ball, 2x3" Adjst Hg (1.103-828.0 only)	1	31	9.802-722.0	Bolt, 3/8" x 1-1/4", NC HH	34
8	8.917-341.0	Bar, Tank Tie-down	1	32	8.718-760.0	Screw, 6/32" x 5/8" SS	4
9	8.725-525.0	Tank, Water, 200 Gal	1	33	9.802-779.0	Nut 3/8", ESNA, NC	40
	8.704-744.0	▲ Lid, 8" Threaded w/Air Breather	1	34	8.917-342.0	Box, Trailer Storage	2
10	8.754-184.0	Jack, Swivel w/Caster, 1200 lb	1	35	9.802-807.0	Washer, 3/8" Flat, Zinc	68
11	8.725-529.0	Wheel/Tire Assy, 15" ST205/75d15 TI	2	36	9.802-812.0	Washer, 3/8" x 1-1/2", SAE	14
12	8.725-530.0	Lamp, Tail, 3-Way	2	37	8.706-738.0	Plug, 3/4", Hole	2
13	8.725-531.0	Lamp, Side Marker, Red	2	38	8.706-899.0	Nipple, 3/4" JIC x 3/4" Pipe	2
14	8.725-532.0	Lamp, Side Marker, Amber	2	39	9.802-724.0	Bolt, 3/8" x 1-1/2", NC, SS	2
15	8.725-533.0	Lamp, License w/holder	1	40	8.900-522.0	Label, CLP Warning, Do Not Stand or Step	2
16	8.707-497.0	Chain, 5/16" Zinc Plated 2 x 45" Long	7.5 ft	41	9.802-780.0	Nut, 3/8" Stainless, NC	2
17	8.707-510.0	Connector, Socket, 7-Prong	1	42	8.706-731.0	Bushing, 3/4" Snap Heyco	7
18	8.707-511.0	Plug, 7-Prong	1	43	8.706-369.0	Nipple, 3/4", PVC 80, Close	1
19	8.725-540.0	Axle, 3500 lb., 57", Electric Brakes	1	44	8.710-036.0	Float Valve 1" Hudson	1
20	8.706-412.0	Bushing, 1" x 3/4" MT x FT, PVC 80 Speers O	3	45	8.718-592.0	Screw, 1/4" x 1-1/4", 10-24	1
				46	8.719-079.0	Knob, Blk Plastic, 10-24 Thds	1
				47	8.719-112.0	Spring, 0.31OD x 1.0, Steel, Gen Wire J-1450	1
				48	8.917-463.0	Latch, Wand Holder (1.103-828.0 only)	1
						8.922-393.0	Latch, Wand Holder (1.103-840.0 only)
				49	8.917-319.0	Bracket, Alignment, Tank	2

TRS-3500-SSG TRAILER EXPLODED VIEW PARTS LIST

ITEM	PART #	DESCRIPTION	QTY
50	8.706-395.0	Plug, 2", PVC 80	1
51	8.706-294.0	Bushing, 1/2" x 3/8", Steel	1
52	9.802-171.0	Coupler, 3/8", Plug, Male	1
53	9.803-557.0	Elbow, 3/4 JIC x 3/4	2
54	9.802-779.0	Nut, 3/8" ESNA	4
55	9.802-807.0	Washer, 3/8" Flat	4
56	9.802-779.0	Nut, 6-32 KEPS	8
57	9.802-722.0	Bolt, 3/8" x 1-1/4", NC HH	4
58	8.917-308.0	Wldmt, Lid, Storage Box	2
59	8.718-733.0	Screw, 6/32" x 5/8", Rd HB	8
60	9.802-261.0	Hose, 3/4" Push-On	51"
61	8.706-890.0	Elbow, 1/2" JIC x 3/4"	1
62	8.917-329.0	Plate, Karcher, SS	1
63	8.706-890.0	Elbow, 1/2" JIC x 3/4" MPT	1
64	8.726-136.0	Hook, Latching	2
65	8.718-607.0	Bolt, Carriage 1/4-20 x 3/4"	2
66	8.900-522.0	Label, Do Not Stand or Step	2
67	8.706-568.0	Handle, Rubber T, w/Keeper	2
68	8.920-368.0	Label, Pump Inlet Selection	1
69	8.752-041.0	Grommet, Light, 2"	4
70	9.802-802.0	Washer, 1/4" Flat Zinc	5
71	9.802-773.0	Nut, 1/4-20 NC ESNA	5
72	8.755-310.0	Screw, 5/8-11 X 4.50 Hhcs St Gr5 Cust	2
73	8.912-403.0	Break Away Kit, W/Battery	1
	8.912-403.0	▲ Bracket, Break Away	1
74	8.755-309.0	Nut, 5/8-11 Hex Top Lk Stl Gr9 Cust	2
75	8.755-291.0	Label, NATM Compliance	1
76	Reference	VIN Plate Label	1
77	Reference	Tire Placard Label	1
78	9.802-701.0	▲ Bolt, 1/4" X 1" Hex Head Zinc Grade 3 (Break Away Kit)	3

▲ Not Shown

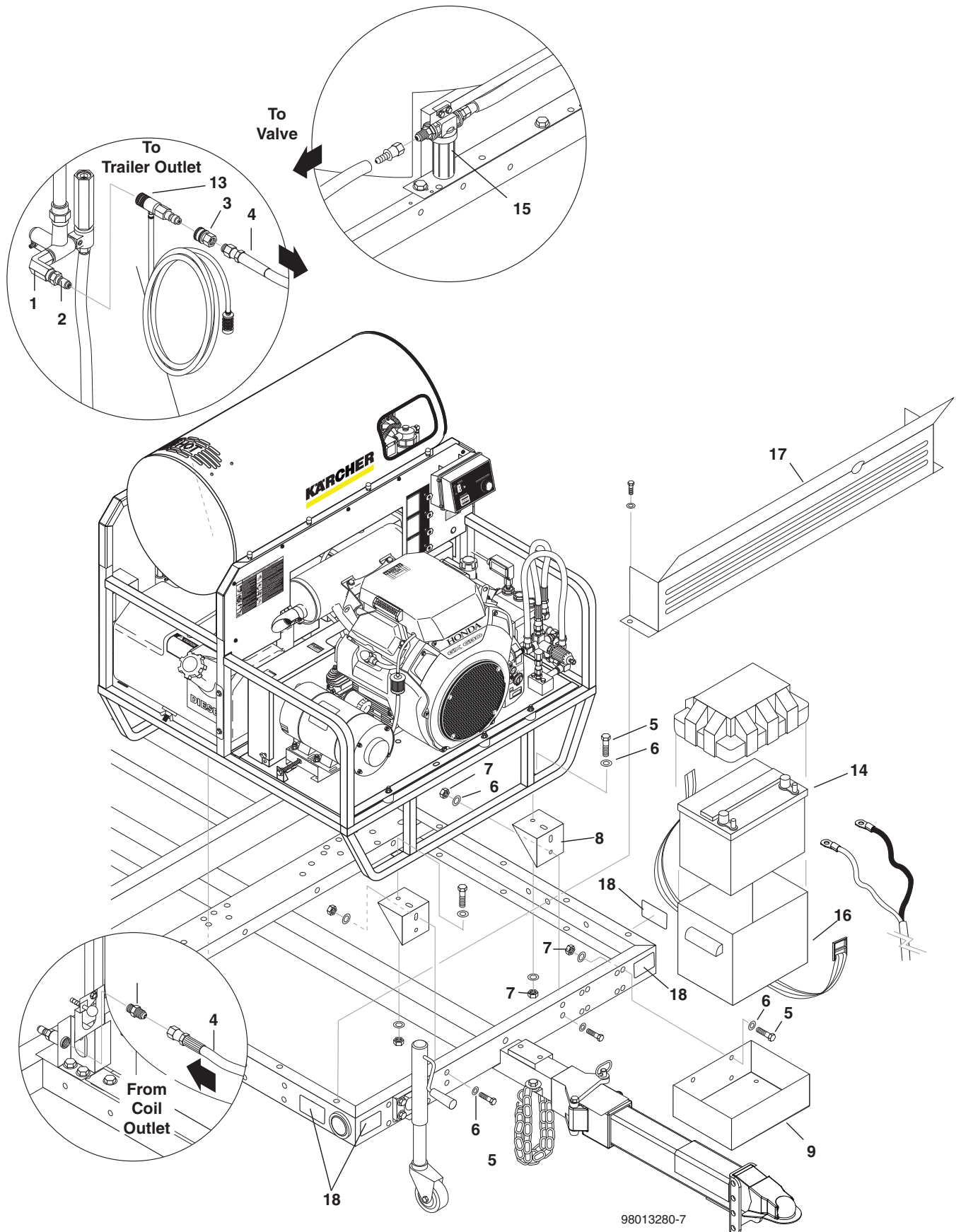
HOSE & SPRAY GUN ASSEMBLY



HOSE & SPRAY GUN PARTS LIST

ITEM	PART NO.	DESCRIPTION	QTY
1	8.925-132.0	Hose, 3/8" X 50' 2W 6000PSI SW/SO/CPL	1
2	8.710-384.0	Gun, Trigger, ST-1500	1
3	9.802-222.0	VP Wand	1
4	9.802-302.0	Nozzle, 4005, White	1
	9.802-300.0	Nozzle, 1505, Yellow	1
	9.802-301.0	Nozzle, 2505, Green	1
5	9.802-286.0	Nozzle, 1/8" Soap	1
6	9.802-166.0	Coupler, 3/8" Brass	1

TRS-3500-SSG WITH SSG WASHER

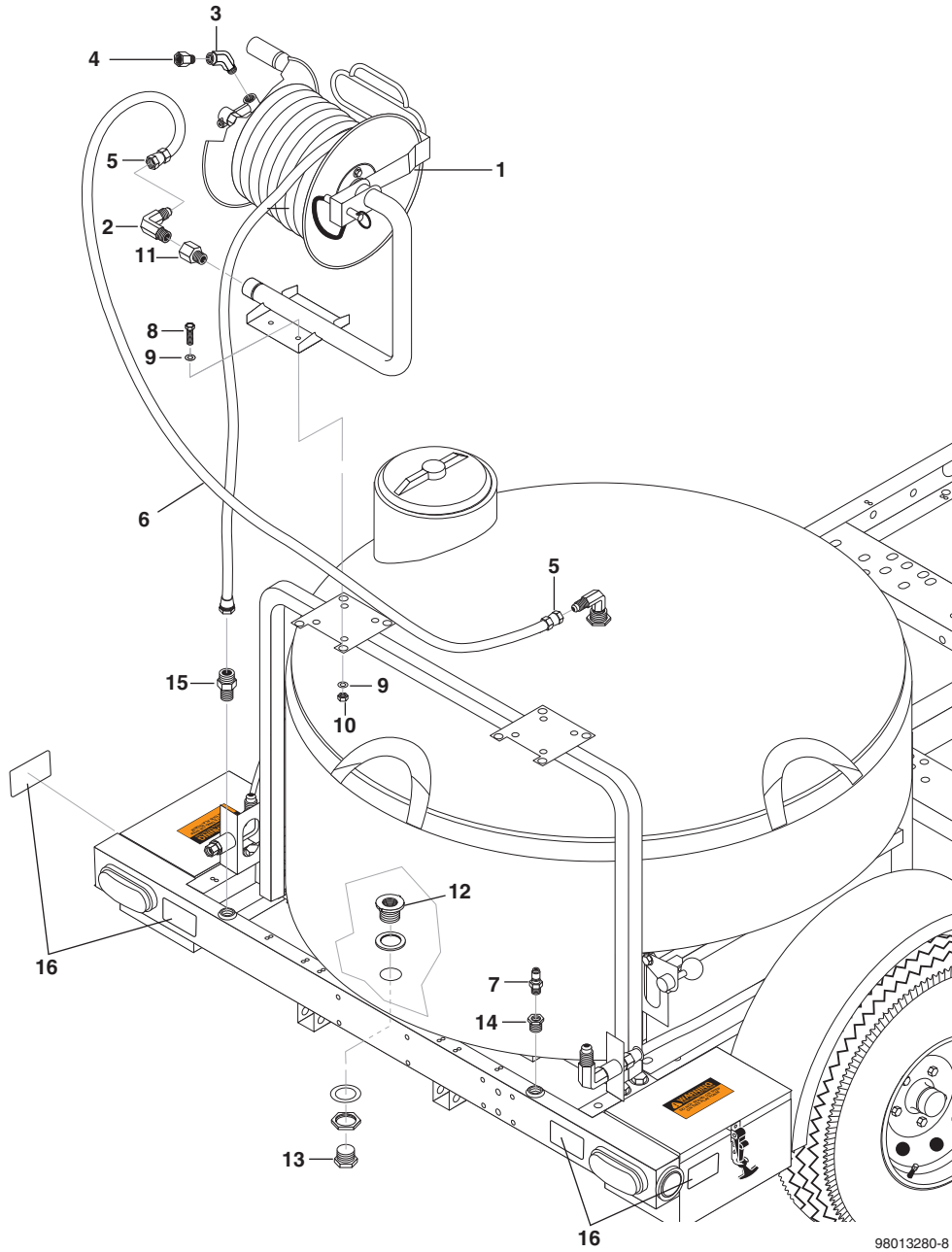


TRS-3500-SSG WITH SSG WASHER PARTS LIST

ITEM	PART #	DESCRIPTION	QTY
1	8.706-207.0	Elbow, 3/8", Street 90°, Steel	1
2	9.802-171.0	Nipple, 3/8" x 3/8" NPT ST Male	1
3	9.802-166.0	Coupler, 3/8" Female, Brass	1
4	8.711-708.0	Hose, 1/2" x 90" 2 Wire, Pressure Loop	1
5	9.802-722.0	Bolt, 3/8" x 1-1/4", NC HH	12
6	9.802-807.0	Washer, 3/8" Flat	24
7	9.802-779.0	Nut 3/8"	12
8	8.916-565.0	Bracket, Mounting	2
9	8.917-495.0	Bracket, Battery Mount	1
10	9.802-038.0	Nipple, 1/2" JIC x 1/2" Steel	1
11	9.802-204.0	▲ Clamp, Hose, CL13	1
12	9.802-799.0	▲ Screw, #14 x 1", Tek, Blk., Zinc	1
13	9.802-225.0	Injector Assembly - (Option)	1
14	8.716-499.0	Battery, Sealed	1
15	8.707-526.0	Strainer, 1"	1
16	8.706-600.0	Battery Box, M-100	1
17	8.917-528.0	Shield, Rock (1.103-828.0 only)	1
	8.922-414.0	Shield, Rock (1.103-840.0 only)	1
18	8.757-911.0	Label Reflective Amber B489A	4

▲ Not Shown

HOSE REEL LOW PRESSURE 8.917-555.0



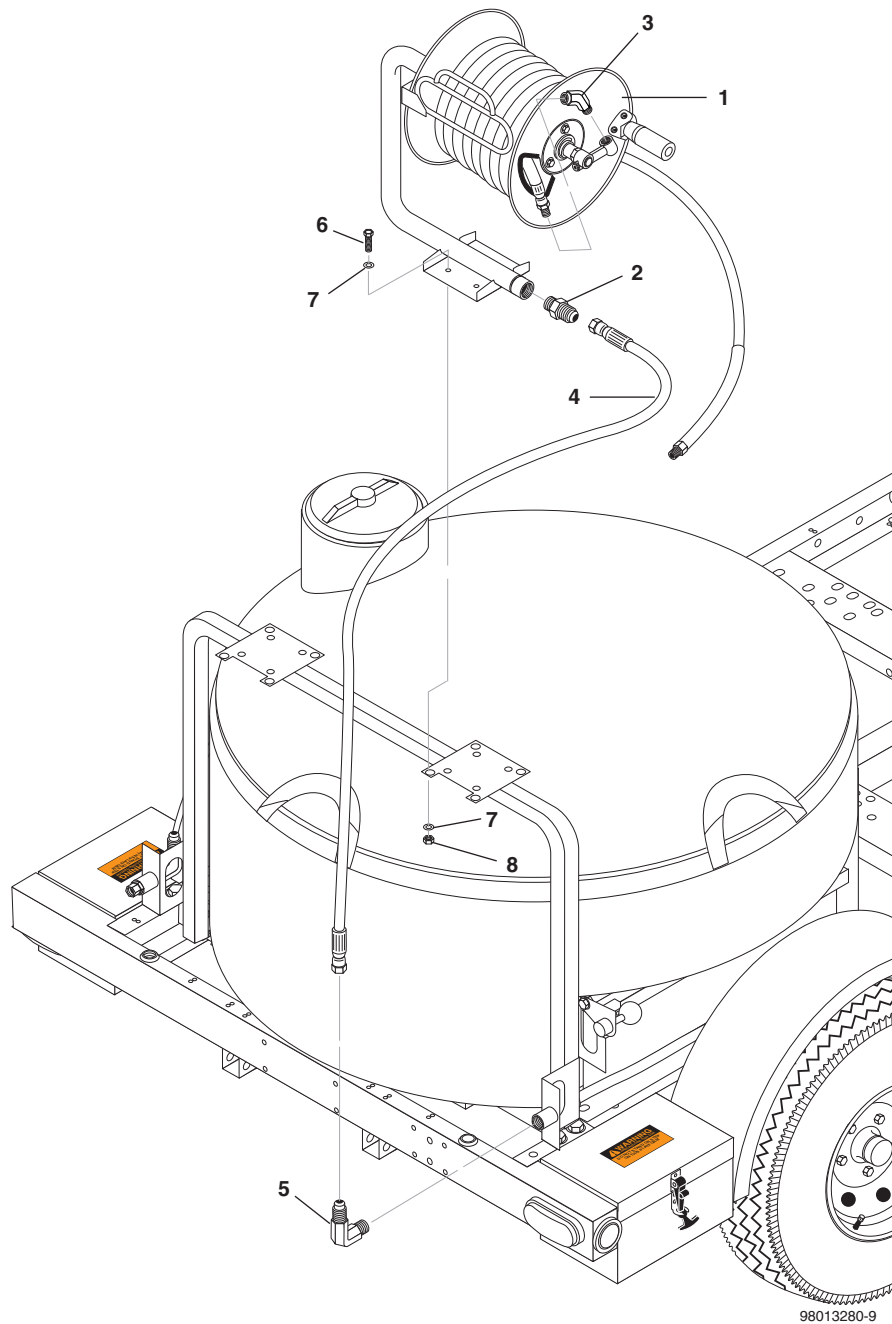
98013280-8

HOSE REEL LOW PRESSURE PARTS LIST

ITEM	PART #	DESCRIPTION	QTY	ITEM	PART #	DESCRIPTION	QTY
1	9.122-002.0	Hose Reel, 100 ft., Fixed Base	1	9	9.802-807.0	Washer, 3/8" SAE, Flat Zinc	8
2	9.802-132.0	Elbow, 3/4" JIC x 1/2", 90°	1	10	9.802-779.0	Nut, 3/8", ESNA	4
3	8.706-834.0	Elbow, 3/8" Street, 45°	1	11	8.706-984.0	Adapter, 1/2" FPT x 1/2" MPT, Brass	1
4	9.802-147.0	Swivel, 3/8" MP x 3/4" GHF W/Strainer	1	12	9.802-052.0	Bulkhead, 3/4" Polypro	1
5	9.802-152.0	Swivel, 3/4" FEM, Push-on	2	13	8.706-397.0	Plug, 3/4" MT, SCH 80 PVC	1
6	9.802-261.0	Hose, 3/4" Push-on, /FT	30"	14	8.706-294.0	Bushing, 1/2" x 3/8" Steel	1
7	9.802-171.0	Coupler, 3/8" Plug, Male	1	15	8.706-968.0	Nipple, 1/2" MPT x 3/4" GHM	1
8	9.802-722.0	Bolt, 3/8" x 1-1/4"	4	16	8.757-910.0	Label Reflective Red B489R	4

NOTE: Garden hose not included

HOSE REEL HIGH PRESSURE 8.917-554.0

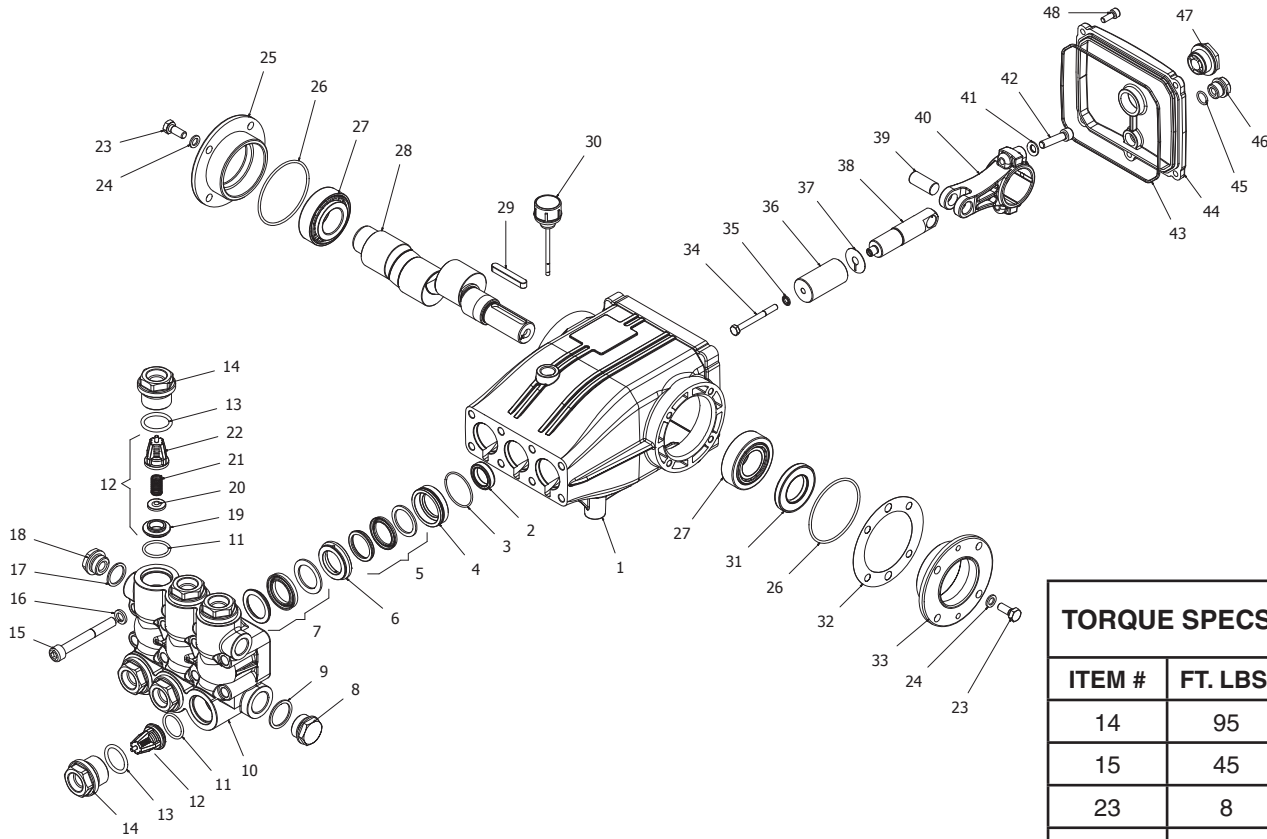


98013280-9

HOSE REEL HIGH PRESSURE PARTS LIST

ITEM	PART #	DESCRIPTION	QTY	ITEM	PART #	DESCRIPTION	QTY
1	9.122-002.0	Hose Reel, Bolt on 100 ft., Fixed Base	1	5	9.802-040.0	Elbow, 1/2" , JIC , 1/2, 90°,	1
2	9.802-036.0	Nipple, 1/2" JIC x 3/8" Pipe, Steel	1	6	9.802-722.0	Bolt, 3/8" x 1-1/4"	4
3	9.802-041.0	Elbow, 3/8" Steel, Street, 45°	1	7	9.802-807.0	Washer, 3/8" SAE, Flat Zinc	8
4	9.802-243.0	Hose, 3/8" x 32" , 2 Wire	1	8	9.802-779.0	Nut, 3/8", ESNA	4

KT.2 SERIES PUMP EXPLODED VIEW



TORQUE SPECS	
ITEM #	FT. LBS.
14	95
15	45
23	8
34	10
42	30
48	8

KT.2 PUMP EXPLODED VIEW PARTS LIST

ITEM	PART NO.	DESCRIPTION	QTY	ITEM	PART NO.	DESCRIPTION	QTY
1	8.752-825.0	Crankcase	1	18	8.707-262.0	Brass Plug 3/8	1
2*	See Kit Below	Plunger Oil Seal	3	19	See Kit Below	Valve Seat	6
3*	See Kit Below	O-Ring Ø1.78 x 37.82	3	20	See Kit Below	Valve Plate	6
4*	See Kit Below	Pressure Ring, 18mm	3	21	See Kit Below	Valve Spring	6
5*	See Kit Below	U-Seal, 18mm	3	22	See Kit Below	Valve Cage	6
6*	See Kit Below	Intermediate Ring, 18mm	3	23	8.752-830.0	Hex Screw	8
7*	See Kit Below	U-Seal, 18mm	3	24	9.802-884.0	Washer	8
8	9.802-926.0	Brass Plug, G1/2	1	25	9.803-182.0	Closed Bearing Housing	1
9	9.803-199.0	Copper Washer 1/2	1	26	9.803-186.0	O-Ring Ø2.62 x 71.12	2
10	8.753-816.0	Manifold Housing	1	27	9.803-160.0	Roller Bearing	2
11*	9.804-498.0	O-Ring Ø2.62 x 25.1	6	28	8.753-818.0	Crankshaft Ø25 (4540)	1
12*	See Kit Below	Valve Assembly	6		8.752-827.0	Crankshaft Ø25 (6036)	1
13*	9.803-193.0	O-Ring 3068	6	29	9.803-167.0	Crankshaft Key	1
14	9.802-928.0	Valve Plug	6	30	8.752-834.0	Oil Dip Stick	1
15	8.753-817.0	Manifold Stud Bolt	8	31	9.803-139.0	Crankshaft Seal	1
16	9.802-890.0	Lock Washer	8	32	9.803-177.0	Shim	2
17	8.719-008.0	Copper Washer 3/8	1				

KT.2 SERIES PUMP EXPLODED VIEW PARTS LIST

ITEM	PART NO.	DESCRIPTION	QTY
33	9.803-181.0	Bearing Housing	1
34*	8.752-841.0	Plunger Bolt	3
35*	8.752-820.0	Bonded Seal	3
36*	8.753-819.0	Plunger, 18mm	3
37*	8.752-823.0	Copper Spacer	3
38	8.753-820.0	Plunger Rod	3
39	8.752-822.0	Connecting Rod Pin	3
40	8.752-821.0	Connecting Rod	3
41	9.802-889.0	Spring Washer	6
42	9.802-937.0	Connecting Rod Screw	6
43	9.803-194.0	O-Ring Ø2.62 x 152.07	1
44	8.752-826.0	Crankcase Cover	1
45	9.803-906.0	O-Ring Ø1.78 x 14.00	1
46	8.707-262.0	Brass Plug G3/8	1
47	9.803-202.0	Sight Glass G3/4	1
48	8.752-824.0	Cover Screw	5

Available in kit (See below)

KIT NUMBERS	8.753-821.0	8.753-822.0	8.753-823.0	8.753-824.0	8.752-835.0
KIT DESCRIPTION	Plunger Seals 18 mm	Seal Packing 18 mm	Plunger 18 mm	Complete Valve	Plunger Oil Seals
ITEMS NUMBERS INCLUDED	3, 5, 7	3, 4, 5, 6, 7,	34, 35, 36, 37	11, 12, 13	2
NO. OF CYLINDERS KIT WILL SERVICE	3	1	1	6	3

SPECIFICATIONS

PARTS SPECIFICATIONS

PUMP					ENGINE				
Pump Model	Part Number	Unloader	Pulley	Pulley Part #	Bushing	Bushing Part #	Engine Model	Engine Part #	Engine Pulley
KT6036	8.921.716.0	8.715-483.0	2BK100H	9.802-391.0	25MM	9.802-323.0	GX630	8.752-149.0	3TB34H

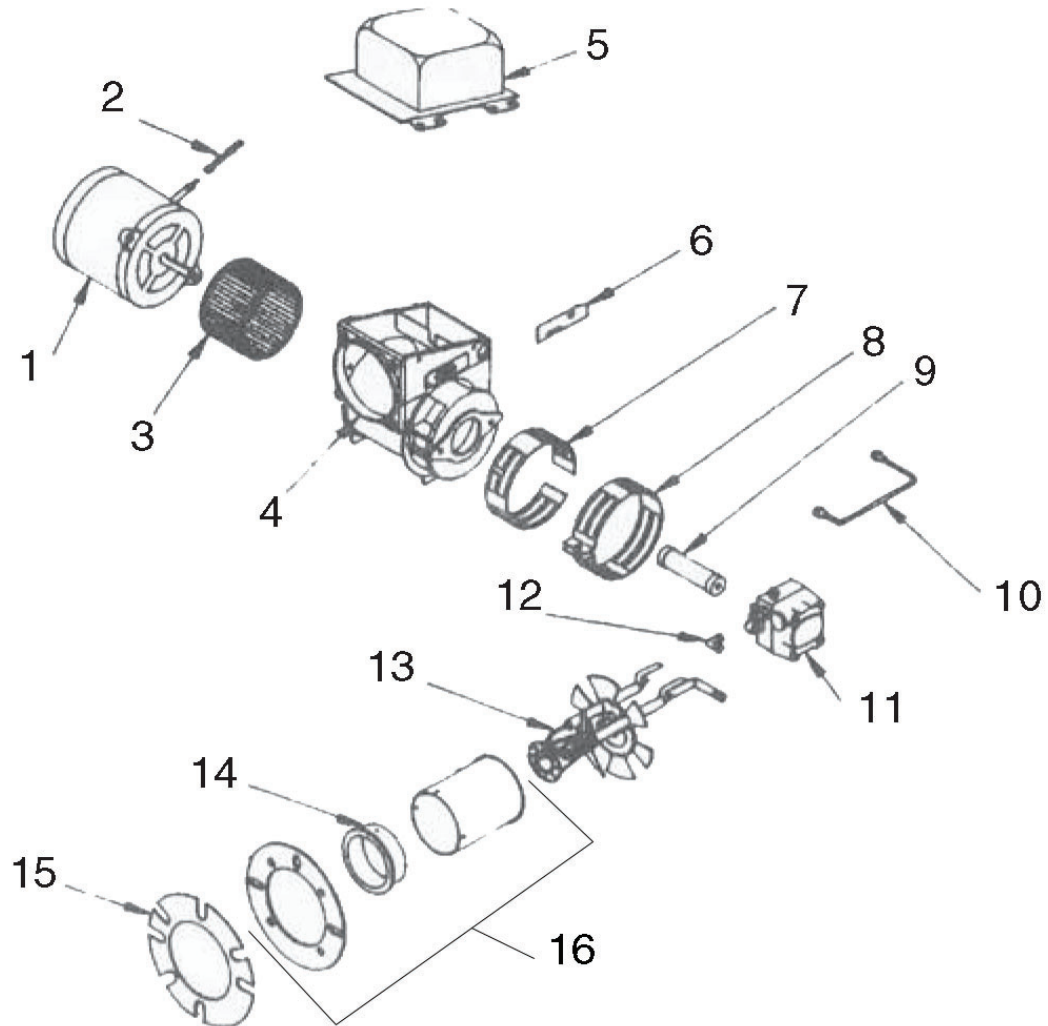
ENGINE					GENERATOR					
Pulley Part #	Bushing	Bushing Part #	Belt Size	Belt Part #	Pulley	Pulley Part #	Belt	Belt Part #	Bushing	Part No.
9.802-392.0	P2 X 1	9.802-404.0	BX44(2)	9.802-421.0	BK34H	9.802-378.0	BX34	9.802-414.0	5/8"	9.802-397.0

WAYNE EHASR BURNER SPECIFICATIONS

Burner Assy No.	Fuel Nozzle w/100 PSI check valve
8.756-413.0	8.756-697.0

WAYNE BURNER - AC REPLACEMENT PARTS

For best performance specify genuine KNA replacement parts



WAYNE BURNER - AC REPLACEMENT PARTS

For best performance specify genuine KNA replacement parts

ITEM	PART NO.	DESCRIPTION	QTY
1	8.756-436.0	MOTOR, 1/4 120V 50-60HZ	1
2	13121	MOTOR CORD COVER	1
3	8.756-438.0	FAN - 4.00"W X 6.25"D 1/2" BORE	1
4	8.700-735.0	BURNER HOUSING EHASR	1
5	8.700-802.0	IGNITOR, 120V, SIDE EH-EHA MOUNT	1
6	13392	SLOT COVER PLATE	1
7	8.700-732.0	BAND, AIR BURNER INNER EHA/SR	1
8	8.700-729.0	AIR BAND 8 HOLE OUTER EHA/SR	1
9	8.700-770.0	COUPLING A/B PUMP	1
10	8.700-704.0	OIL LINE, 6'	1
11	8.756-290.0	FUEL PUMP, WCS - COMBO/W SOLENOID 120V	1
12	13494	BRASS 90° ELBOW	1
13	8.756-704.0	ASSY, BURNER GUN, RG/SST/2"BB	1
14	8.700-724.0	CONE 4A FOR 307000,003,007	1
15	8.700-692.0	GASKET, E & M SERIES BURNERS (2 EACH)	1
16	8.756-305.0	FLANGE, AIR TUBE, WELDED 1.75" "E"	1
17	8.700-770.0	ELECTRODE REPLACEMENT KIT (PAIR)	1

▲ Not Shown